

POWER 9000™  
Wheelchair

Before 11/15/1995

Discontinued



Yes, you can.®

# PARTS CATALOG USAGE GUIDE

The information contained in this document is subject to change without notice. This catalog contains service parts. If you have any questions regarding your model, please contact one of our Customer Service Representatives.

**For Customer Service Support Call: ..... 1-800-333-6900**  
**For Faxed in Orders Call: ..... 1-800-678-4682 or 1-440-366-0709**  
**For Technical Service Call: ..... 1-800-832-4707**  
**Literature Can Be Found at: ..... 1-800-828-6282 or [www.invacare.com](http://www.invacare.com)**

This parts catalog is set up to identify available replacement service parts.

## SYMBOL DEFINITION

Throughout this catalog you will notice symbols to draw your attention to specific footnotes which are located at the bottom of the page or below specified charts.

Examples:

- \* ☺ ☞ = Special Comments
- NOTE:** = General information pertaining to that specific page
- NLA** = No Longer Available

## HARDWARE MEASUREMENTS

The measurements for the hardware will be listed as follows:

- Screws Diameter X Thread Count X Length
- Screws, Shoulder Shoulder Diameter X Shoulder Length
- Washers Inside Diameter X Outside Diameter X Thickness
- Spacers Inside Diameter X Outside Diameter X Length
- Spacers, Coved Inside Diameter X Outside Diameter X Radius

## QUANTITY COLUMNS

You will see two categories for quantity. The first category, Package Quantity represents how many pieces you will receive per that part number. The second category, Assembly Quantity, reflects how many pieces are required for the assembly shown.

Item Number	Part Number	Description	Quantity Per	
			Package	Assembly
1	1030949	Screw, Hex Head Cap (1/4-20 x 1-1/2")	1	8
2	1031665	Screw, Socket Head Shoulder (3/8 x 1-1/2")	1	4

*For your convenience, we have supplied an area for you to list your Invacare Representatives.*

<i>Sales Representative's Name</i>	<i>Phone Number</i>

©2001 Invacare Corporation. Elyria, Ohio. Invacare is a registered trademark and MKIV, Power 9000, Yes, you can, are trademarks of Invacare Corporation. Otto Bock is a registered trademark of Otto Bock Orthopaedische Industrie GMBH & Co.. Bussman is a registered trademark of Cooper Industries. MIDI is a registered trademark of Littelfuse Inc.. Dynamic is a registered trademark of Dynamic Controls Limited

# TABLE OF CONTENTS

	<b><u>Page Number</u></b>
Accessories .....	19
Anti-Tippers .....	17
Armrests .....	14
Back Upholstery .....	11
Battery Boxes .....	20
Battery Charger .....	19
Back Canes .....	10
Crossbraces .....	8
Decal, Model .....	5
Electronics Table of Contents .....	75
Frames .....	6
Frame Finishes .....	4
Front Riggings Table of Contents .....	26
Front Casters .....	16
Gearboxes .....	17
Literature .....	5
Motors .....	17
Packaging .....	5
Rear Wheels and Attaching Hardware .....	17
Seat Positioning Straps .....	19
Seat Extensions .....	12
Seat Upholstery .....	11
Solid Folding Seats .....	13
Upholstery Color Options .....	4
Wheel Locks .....	18

# FRAME FINISHES, TOUCH-UP PAINTS and UPHOLSTERY OPTIONS

## FRAME FINISHES and TOUCH-UP PAINTS

Color Number	Part Number	Bottle Size	Color
02P	1031452	.6 oz.	Pink Pearl
06P	1031454	.6 oz.	Super Teal
08P	1031456	.6 oz.	Deep Purple
15P	N/A	N/A	Chrome
17P	1046319	.6 oz.	Cobalt Blue
22P	1033376	.6 oz.	Anthracite
29P	1031447	.6 oz.	White
31P	1031453	.6 oz.	Lollipop Pink
32P	1031451	.6 oz.	True Blue
33P	1031455	.6 oz.	Red
34P	1046327	.6 oz.	Flat Black
35P	1101296	.6 oz.	Pewter
★ 60P	1101318	.6 oz.	Silver Metallic
★ 61P	1046321	.6 oz.	Electric Red
★ 62P	1046320	.6 oz.	Electric Blue
★ 64P	1046324	.6 oz.	Metallic Blue
★ 65P	1046323	.6 oz.	Metallic Green
★ 66P	1046322	.6 oz.	Passion Purple
69P	1101320	.6 oz.	Teflon Black

★ Veiling is not available on these colors.

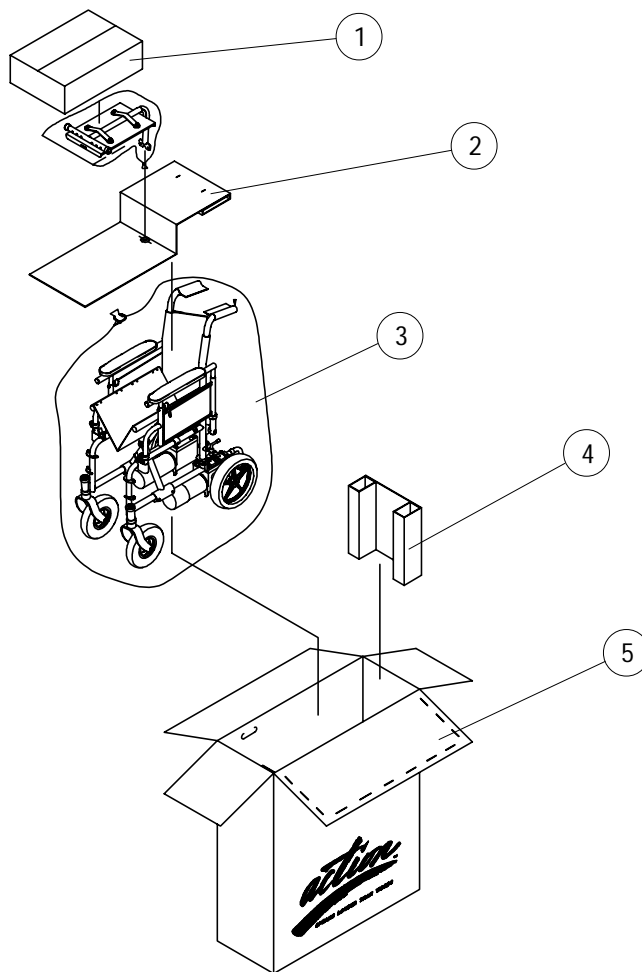
## VEIL OPTIONS

Part Number	Color
13VV	Dark Purple Veil
15VV	Grey Veil
19VV	Green Veil
67VV	Gold Veil

## UPHOLSTERY OPTIONS

Vinyl Colors	Nylon Colors
U67 Black U75 Dove Grey U85 Dark Blue U86 Ruby U97 Sky Blue U88 Camel	U240 Black

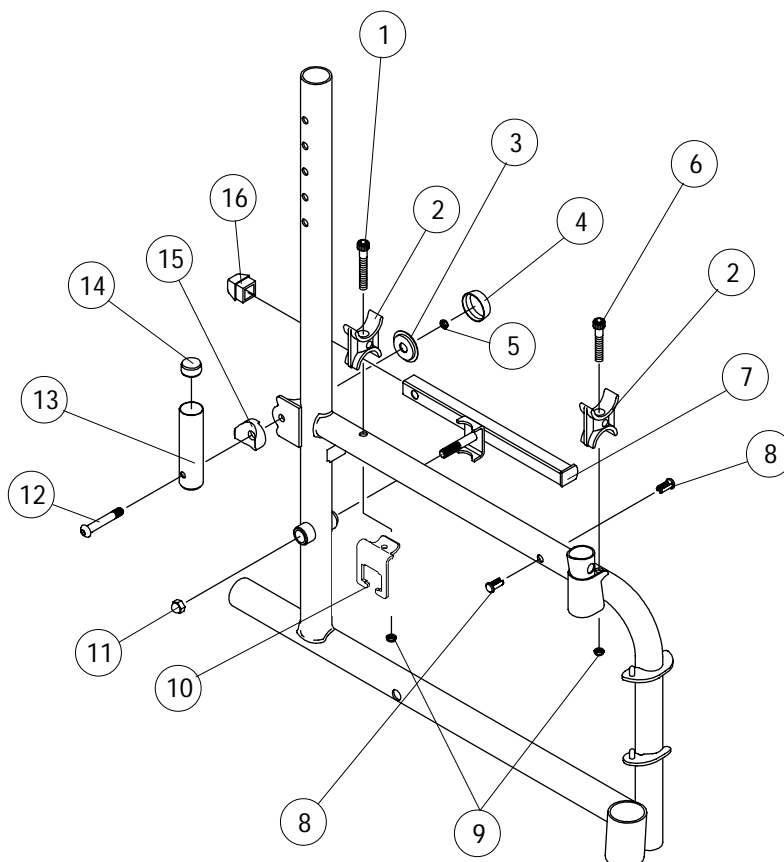
# PACKAGING, LITERATURE and DECALS



Item Number	Part Number	Description	Quantity Per	
			Package	Assembly
1	1036822	Carton	1	1
2	1023166	Insert	1	1
3	1015592	Poly Bag	1	1
4	1023165	Insert	1	1
5	40131X011	Front Rigging Carton	1	1
not shown	1028343	MKIV Operating Instructions	1	1
	1039427	Owners Manual	1	1
	<del>1030118</del> NLA	Decal, Action Power 9000	1	2

**NOTE:** When adjusting or replacing parts, please refer to your owners manual for assistance.

## SIDE FRAMES and HARDWARE



### FRAMES

Adult		Color	Black	Chrome
14",16",18"	Right	❖ 1039395	1039391	1039393
	Left	❖ 1039396	1039392	1039394
20"	Right	❖ 1038519	1038517	1038515
	Left	❖ 1038520	1038518	1038516

Hemi		Color	Black	Chrome
16",18"	Right	❖ 1039389	1039385	1039387
	Left	❖ 1039390	1039386	1039388
20"	Right	❖ 1038550	1038548	1038546
	Left	❖ 1038551	1038549	1038547

**NOTE:** Action Power 9000 model decal part number (~~1030118NLA~~) not included with frame.

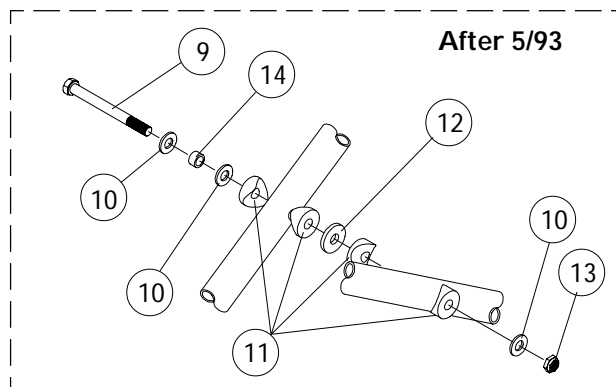
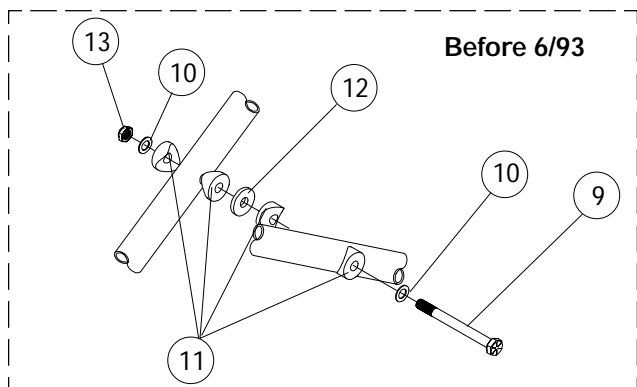
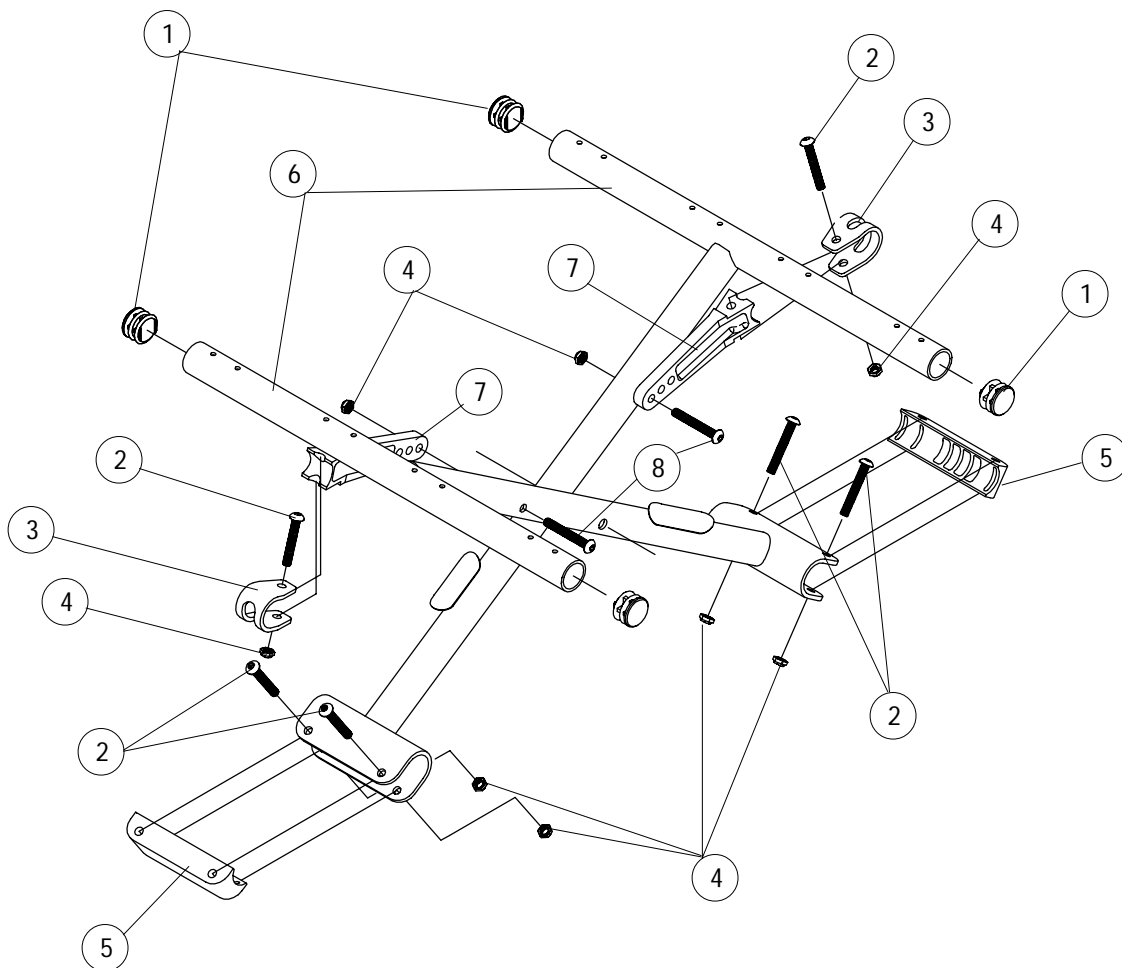
❖ Specify frame color when ordering. See page 4.

## SIDE FRAMES and HARDWARE (continued)

Item Number	Part Number	Description	Quantity Per	
			Package	Assembly
1	1003424	Screw, Socket Head (1/4-20 x 1-3/4")	1	1
2	1015390	Seat Guide	1	1
3	1016290	Washer, Caplugs	1	1
4	1016291	Cap, Caplug	1	1
5	7930364	Locknut (1/4-20)	25	1
6	1004170	Screw, Socket Head (1/4-20 x 1-1/2")	1	1
7	⊕ 1031826	Battery Hanger Rail	1	1
8	1023450	Ratchet Rivet	1	2
9	7930307	Locknut (1/4-20)	25	2
10	1039369	Battery Connector Bracket	1	1
11	⊕ 1029135	Acorn Nut (Used on chairs before 6/93)	1	1
	1027097	Plug Button (Used on chairs After 5/93)	1	2
12	1023968	Screw, Button Head Socket (1/4-20 x 1-3/4")	1	1
13	1015856	Armrest Socket	1	1
14	1023975	Tube Support	1	1
15		Armrest Spacer	1	1
	1015426	-Right		
	1015427	-Left		
16	⊕ 1008348	Plug Button	1	1

⊕ These items only used on chairs built before 6/93.

# CROSSBRACES and HARDWARE





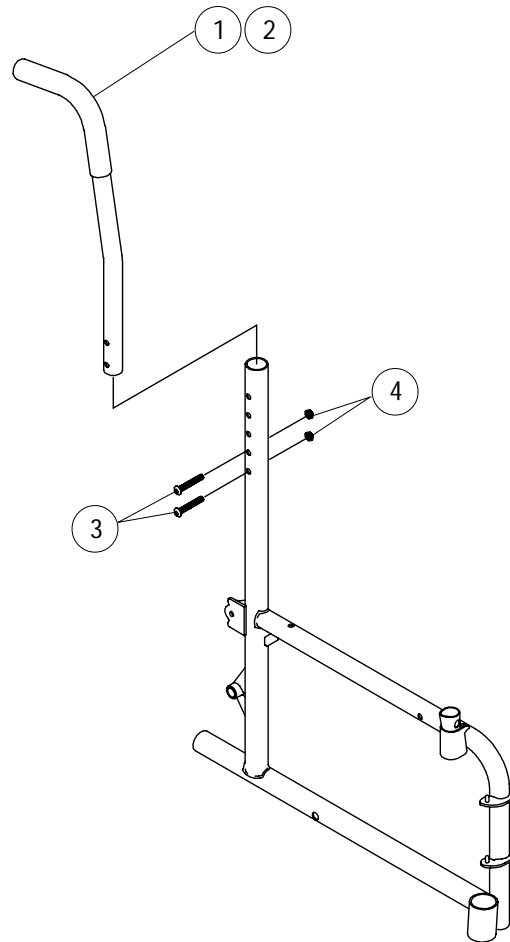
## CROSSBRACES and HARDWARE (continued)

Item Number	Part Number	Description	Quantity Per	
			Package	Assembly
1	1029501	Plug Button (1")	1	4
2	1008495	Screw, Button Head (1/4-20 x 1-1/2")	1	4
3	1012180	Pivot Bracket	1	2
4	7930364	Locknut (1/4-20)	25	8
5	1012172	Saddle Clamp	1	2
6	see chart below	Crossbraces		
7		Pivot Link	1	2
	1014666	-14-16" Wide Adult		
	1014668	-17-19" Wide Adult		
	1014667	-20-22" Wide Adult		
	1012173	-16-18 Wide Hemi		
	1018238	- 20 Hemi		
8	7930301	Screw, Button Head (1/4-20 x 1-3/4")	25	2
9	1016261	Screw, Hex Head (5/16-24 x 3-1/4") (Before 6/93)	1	1
	1098625	Screw, Hex Head (5/16-24 x 3-1/2") (After 5/93)	1	1
10	1016652	Washer, Flat (5/16 x 9/16 x 1/32")	1	2
11	1016263	Washer, Coved (15/16 x 1/4 x 1/2")	1	4
12	7930313	Washer, Nylon (5/16 x 7/8 x 1/8")	25	1
13	7930363	Locknut (5/16"-24)	25	1
14	1037913	Bushing	1	1

## CROSSBRACES

Frame Style	Chair Width			
	14"	16"	18"	20"
<b>Adult</b>	1014623	1016252	1016253	1019011
<b>Hemi</b>		1016250	1016251	1038381

# CANES and HARDWARE



Item Number	Part Number	Description	Quantity Per	
			Package	Assembly
1	1028372	Back Cane (Includes Items 1 & 2)	1	1
	1043373	-Slip on Upholstery (Standard)		
		-Screw On Upholstery		
2	1006229	Handgrip (8" vinyl foam)	1	1
3	1008432	Screw, Button Head Socket (1/4-20 x 1-1/4")	1	2
4	7930364	Locknut (1/4"-20)	25	2

# SEAT UPHOLSTERY and HARDWARE

## NYLON

Width	Depth		
	16" D	17" D	18" D
14" W	1016315	1016316	1016317
16" W	1016321	1016322	1016323
18" W	1016327	1016328	1016329
20" W	1017643	1017646	1017649

## ◆ VINYL

Width	Depth		
	16" D	17" D	18" D
14" W	1024417	1024418	1024419
16" W	1024423	1024424	1024134
18" W	1024132	1024137	1024138
20" W	1024129	1024141	1024142

*Note: For seat upholstery hardware use the screw on back hardware shown below*

# BACK UPHOLSTERY and HARDWARE

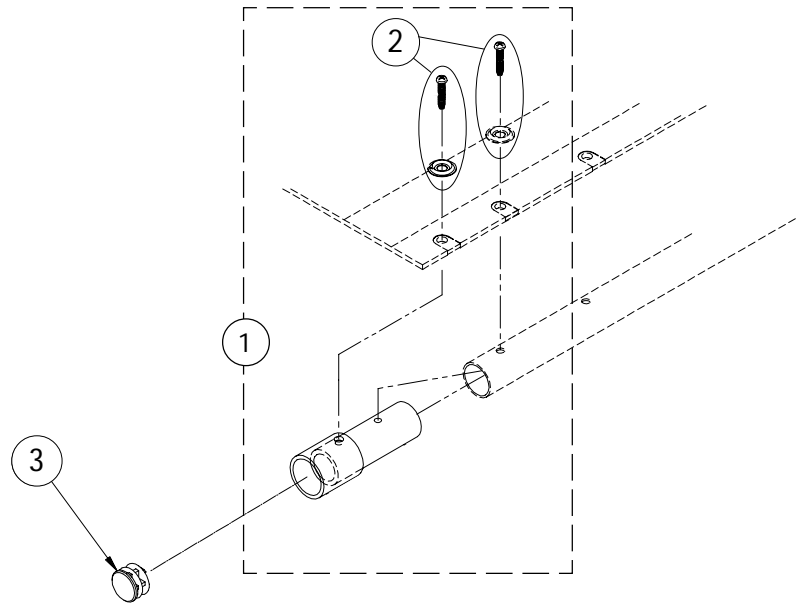
Width	Nylon	Vinyl	Vinyl Screw-On
14" W	1008237	◆1024127	◆1041123
16" W	1008383	◆1024114	◆1040052
18" W	1008399	◆1024117	◆1041122
20" W	1017661	◆1024121	◆1041128

◆Specify upholstery color when ordering. See page 4.

Slip-On	
<b>Back Upholstery Hardware</b>	<b>1026298</b>
Consists of: 2ea.	
Screw with Washer(10-7/8") Cable Ties	

Screw-On	
<b>Back Upholstery Hardware</b>	<b>1027059</b>
Consists of: 10ea.	
Screw with Washer(10-7/8")	

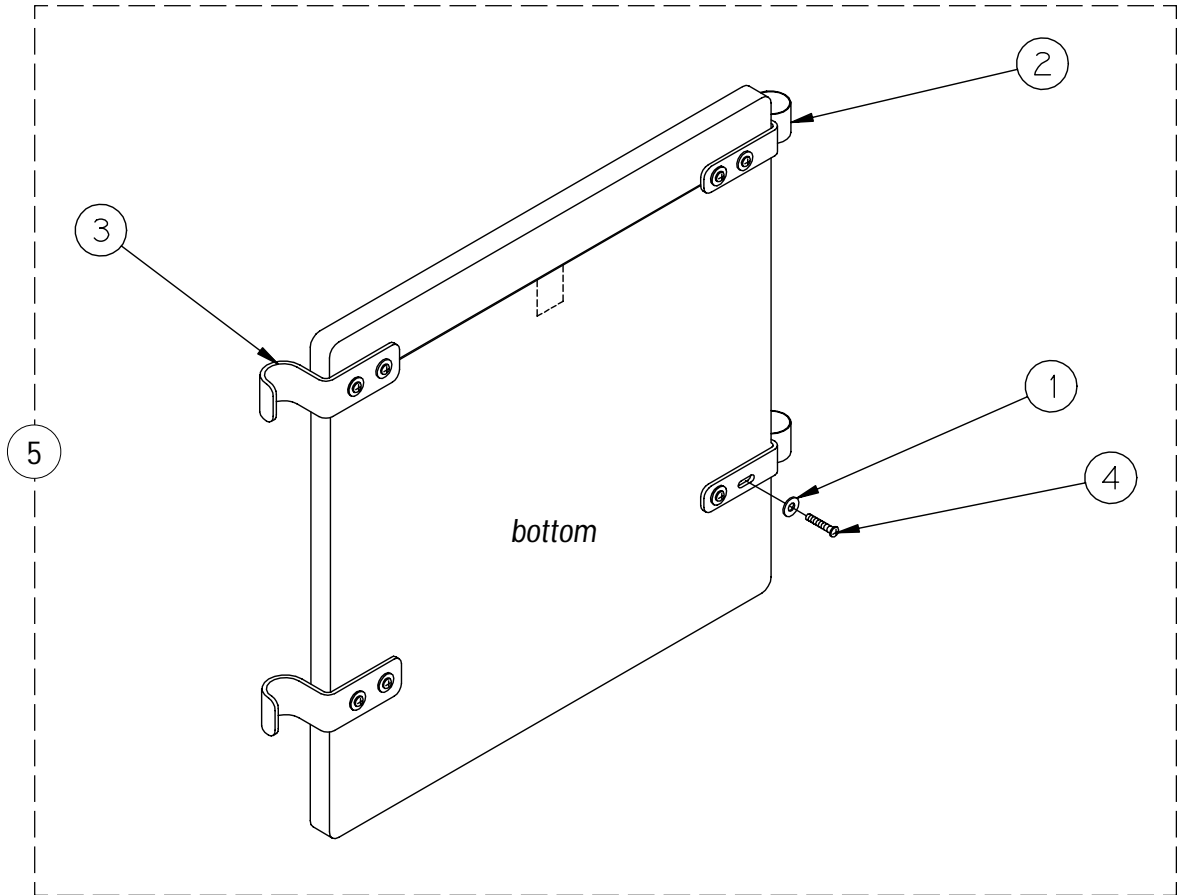
# SEAT EXTENSION KITS



Item Number	Part Number	Description	Quantity Per	
			Package	Assembly
1		Seat Extension Kit (For Sling Seat Upholstery) Pair	2	1
	⊛ 1035970	-14-18" Wide - 1"		
	⊛ 1035971	-14-18" Wide - 2"		
	⊛ 1038538	-19-22" Wide - 1"		
	⊛ 1038539	-19-22" Wide - 2"		
		Seat Extension Kit (For Solid Folding Seats) Pair	2	1
	⊛ 1035972	-14-18" Wide - 1"		
	⊛ 1035973	-14-18" Wide - 2"		
⊛ 1038538	-20" Wide - 1"			
⊛ 1038539	-20" Wide - 2"			
2	1026298	Screws and Washers (#10-7/8")	1	2
	1076284	Screw and Washer (#10-7/8") Pair	2	1
	40163X003	Screw (#10-5/8") -(For 19-22" & Solid Folding Seats)	1	1
3	1008436	Plug Button, Black (1")	1	1

⊛ Seat extension kit does not include plug button (item 3).

# SOLID FOLDING SEATS

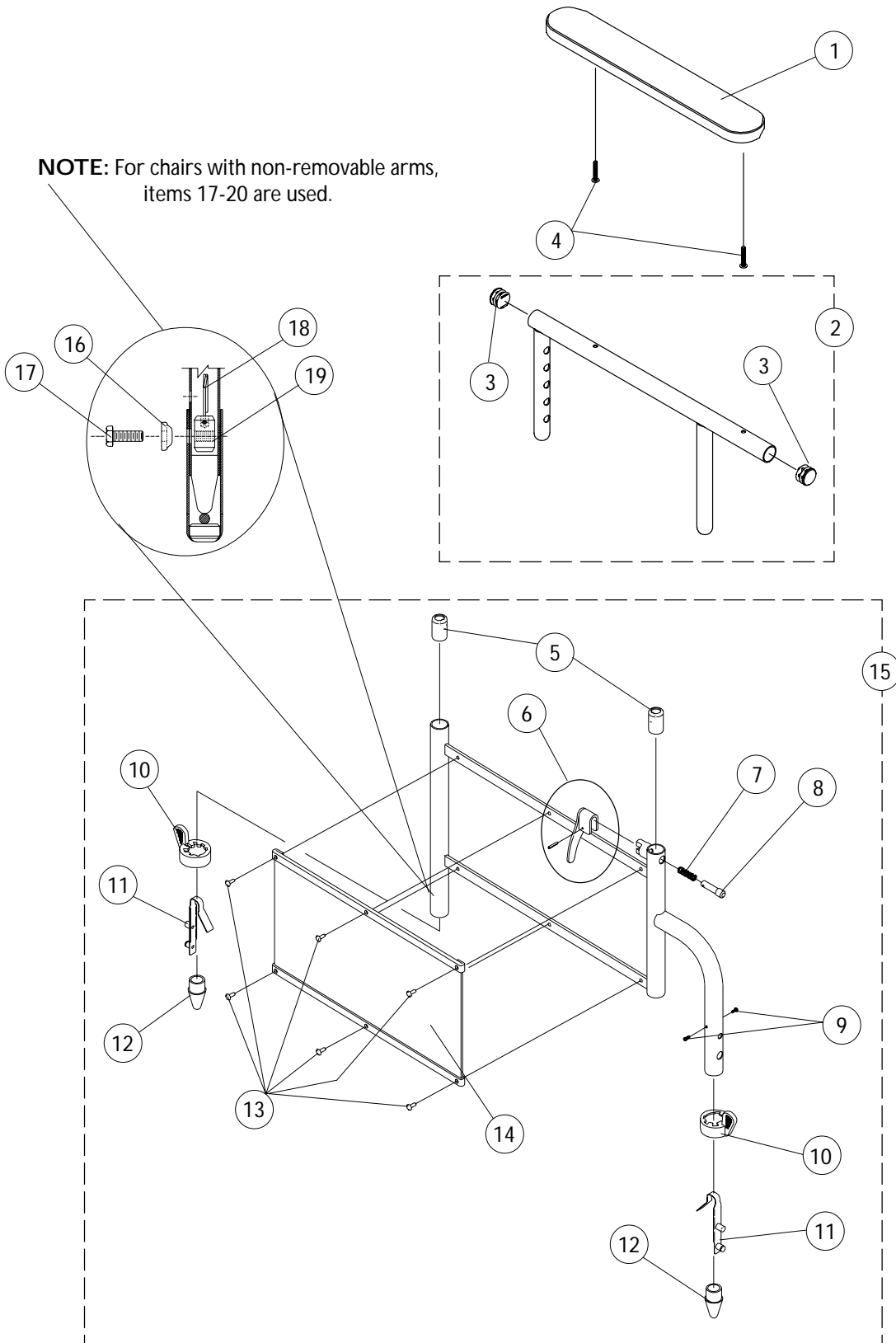


Item Number	Part Number	Description	Quantity Per	
			Package	Assembly
1	1013218	Washer, Flat	1	4
2	1016770	Seat Bracket	1	2
3	1016771	Seat Hook	1	2
4	7930360	Screw, Phillips Head (10-32 x 11/16")	25	1
5	◆1035937 ◆1025578 ◆1025577 ◆1035934	Solid Folding Seat -14" wide x 16" deep -16" wide x 16" deep -18" wide x 16" deep -20" wide x 16" deep	1	1

**NOTE:** Solid Folding Seats measure two inches narrower than actual seat width.  
◆ Specify color when ordering. See page 4.

# REMOVABLE CONVENTIONAL ADJUSTABLE HEIGHT ARM

**NOTE:** For chairs with non-removable arms, items 17-20 are used.



## REMOVABLE CONVENTIONAL ADJUSTABLE HEIGHT ARMS

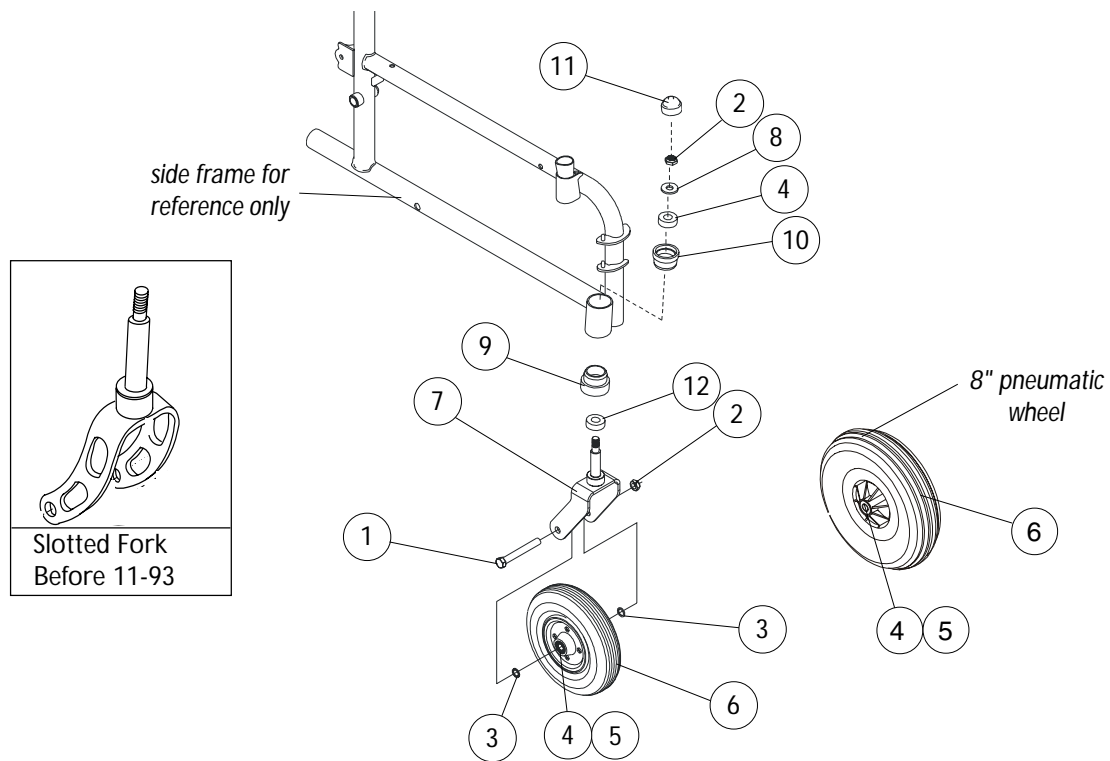
Item Number	Part Number	Description	Quantity Per	
			Package	Assembly
1	◆ 1011813	Arm Pads -Full Length (14" L x 2" W)	1	1
	◆ 1053571	-Full Length Pair with Screws	2	1
	◆ 1011811	-Desk Length (9" L x 2" W)	1	1
	◆ 1053570	-Desk Length Pair with Screws	2	1
2	1038461	Adjustable Height Arm Top with Plug Buttons -Full Length on Chrome Chairs	1	1
	1038472	-Full Length on Black or Color Chairs	1	1
	1038460	-Desk Length on Chrome Chairs	1	1
	1038470	-Desk Length on Black or Color Chairs	1	1
3	1027095	Plug Button (7/8")	1	2
4	7930361	Screw, Phillips Head (10-32 x 1-1/8")	25	2
5	1036150	Anti-Rattle Collar	1	2
6	1090768	Lock Handle Replacement Kit with Rivets (Pair)	2	1
7	47471X074	Spring	1	1
8	47471X068	Locking Pin	1	1
9	7930354	Screw, Phillips Head (8-32 x 3/8")	25	2
10	1015450	Quad Release Handle	1	2
11	1018225	Spring and Button Lock	1	2
12	1020060	Armrest Plug	1	2
13	1028645	Rivet	1	6
14	⊛ 1064129	Clothing Guard	1	1
15	⊛ 1034062	Arm Base -Chrome Right	1	1
	⊛ 1034063	-Chrome Left	1	1
	⊛ 1034056	-Black Right	1	1
	⊛ 1034057	-Black Left	1	1
	⊛⊛ 1034118	-Color Right	1	1
	⊛⊛ 1034119	-Color Left	1	1
	16	1026099	Spacer, Coved (1/4 x 11/16 x 1/2")	1
17	7930326	Screw, Hex Head (1/4-20 x 3/4")	25	1
18	40188X002	Spring	1	1
19	1005834	Threaded Insert	1	1

⊛ Stainless steel clothing guards were replaced w/ ABS plastic. Chairs manufactured before 7/30/97 should be ordered in pairs to match.

◆ Specify upholstery color when ordering. See page 3.

⊛ Specify frame color when ordering. See page 3.

# FRONT CASTERS and HARDWARE



Item Number	Part Number	Description	Quantity Per	
			Package	Assembly
1	57667X007	Screw, Hex Head Cap (7/16"-20 x 3-1/4")	1	1
2	7930352	Locknut (7/16-20)	25	2
3	7930312	Washer (18/32 x 5/8 x 3/64")	25	2
4	1006049	Bearing (7/16")	1	3
5	1020592	Bearing Spacer (7/16 x 19/32 x 1-3/4")	1	1
6		Wheel Assembly (Includes Items 4 and 5)	1	1
	1070811	Semi-Pneumatic (8")	1	2
	1002002	Pneumatic (8")		
	40176X034	Tire, Pneumatic (8")		
	1034942	Tube, Pneumatic (8")		
7	⊛1028131NLA	8" Fork, Black	1	1
	⊛❖1042131NLA	8" Fork, Colored	1	1
	* 1079861	8" Fork, Black	1	1
	* 1079862	8" Fork, Colored	1	1
8	40014X044	Washer, Nylon (7/16 x 1 x 1/8")	1	1
9	1031829	Bearing Sleeve	1	1
10	1028257	Bearing Sleeve	1	1
11	1001843	Head Tube Cap	1	1
12	40117X006	Lower Bearing (5/8")	1	1

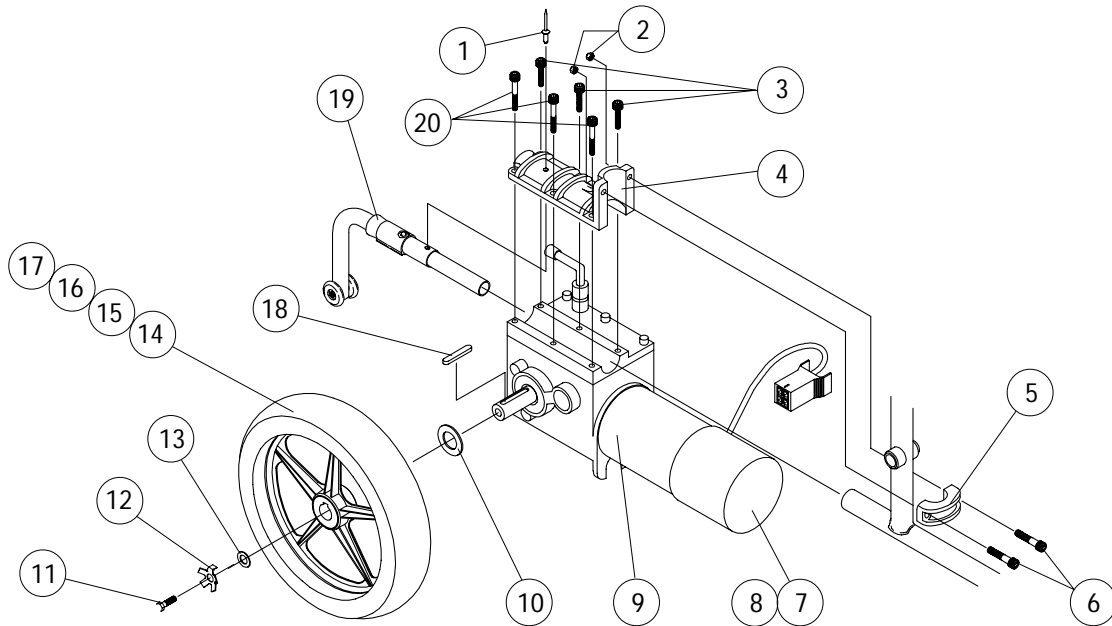
⊛ After 11-93 slotted fork was no longer used. When ordering forks before this date it is recommended that both forks be replaced.

❖ Specify frame color when ordering, see page 4.

\* Forks must be ordered in pairs to match. Part number 1028131 and 1042131 became NLA as of 10/5/98.



# REAR WHEELS, MOTORS and ANTI-TIPPERS

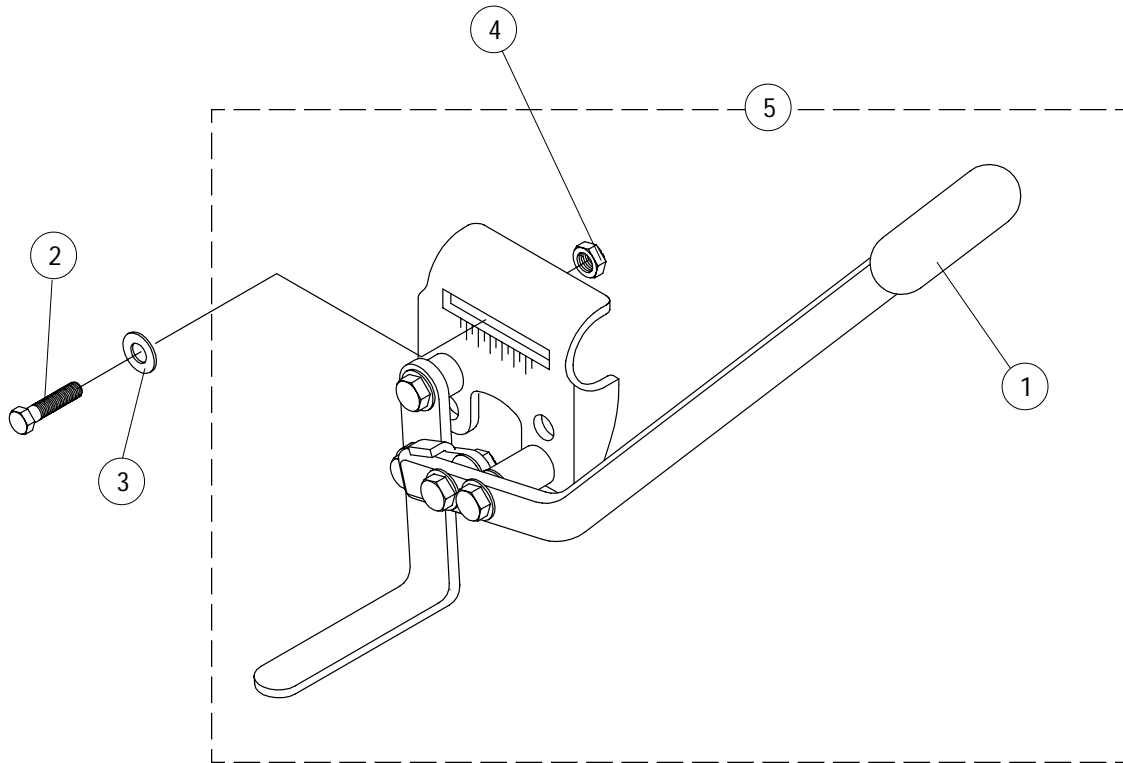


Item Number	Part Number	Description	Quantity Per	
			Package	Assembly
1	1007094	Pop Rivet	1	1
2	7930307	Locknut (1/4-20)	25	2
3	1023258	Screw, Socket Head (M6 x 40)	1	3
4	1035012	Half Clamp, Motor	1	1
5	1035013	Half Clamp, Tube	1	1
6	7930304	Screw, Socket Head (1/4-20 x 1-1/4")	25	2
not shown	1055872	Motor Brake	1	1
7	1038361	Brake Cover with Screws	1	1
8	1055871	Motor Brush and Cap (Pair)	2	1
9		Motor and Gearbox Assembly with brake	1	1
	▲ 1058399	Right		
	▲ 1058400	Left		
	1037543	Right and Left (Pair)	2	1
10	1023261	Washer ( 1-1/16 x 1-3/16 x 1/8")	1	1
11	7930322	Screw, Hex Head (M8-1.25 x 20mm)	25	1
12	1064179	Washer, Locking Tab with Instruction Sheet (Pair)	2	1
13	1023262	Washer ( 11/32 x 13/16")	1	1
14		Wheel Assembly (12-1/2 x 2-1/4") & Locking Tab	1	1
	1064178	Pneumatic		
	1064177	Flat Free Foam Insert		
15	1011524	Tire	1	1
16	1011525	Tube	1	1
	⊕ <del>1073936</del> NLA	Flat Free Insert	1	1
17	<del>1064176</del> NLA	Rim with Locking Tab	1	1
18	1023264	Key	1	1
19	1034131	Rear Anti-tipper	1	1
20	1023257	Screw, Socket Head (M6 x 25)	1	3

▲ Motor/Gearboxes before 3/8/96 need to be ordered in pairs. To verify when a pair number has already been installed, ask customer to verify manufacturer part number located on the decal attached to the motor. When the right side states 1057300 and the left side 1057301, a pair number will not be needed.

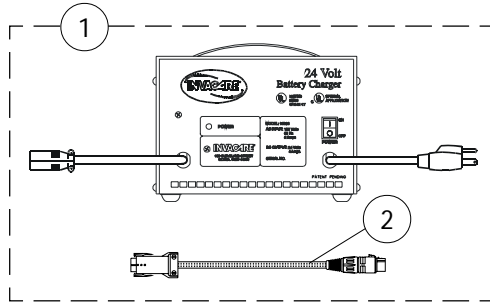
⊕ As of 10/20/99 the "solid" flat free insert was replaced by a "foam fill" process. When a Flat Free Insert is requested, a complete wheel must be ordered.

# WHEEL LOCKS

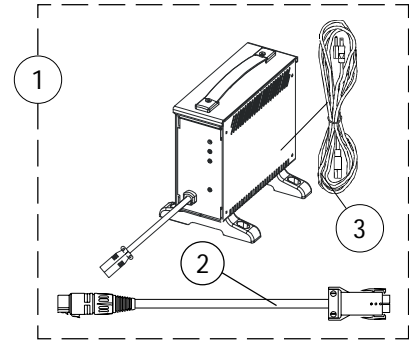


Item Number	Part Number	Description	Quantity Per	
			Package	Assembly
1	47376X024	Wheel Lock Tip -Black	1	1
2	1018739	Flat Washer	1	1
3	7930326	Screw, Hex Head Cap (1/4-20 x 3/4")	25	1
4	7930323	Locknut (1/4-20)	25	1
5		<b>Wheel Lock Assembly</b>	1	1
	1031839	-Right		
	1031840	-Left		

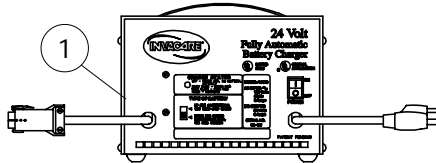
# MISCELLANEOUS ACCESSORIES



Lester 4 Amp. Battery Charger



Dynamic or CTE Battery Charger



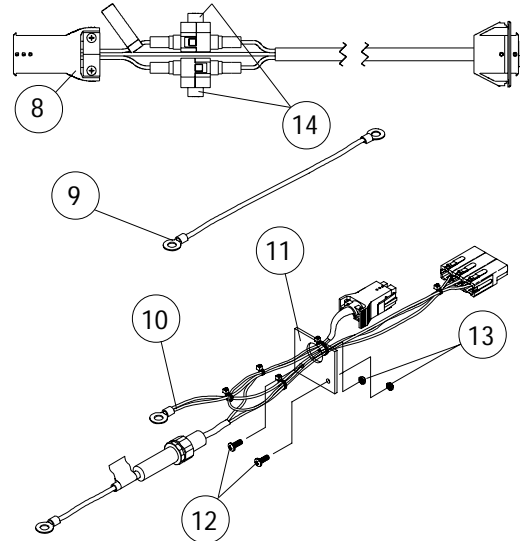
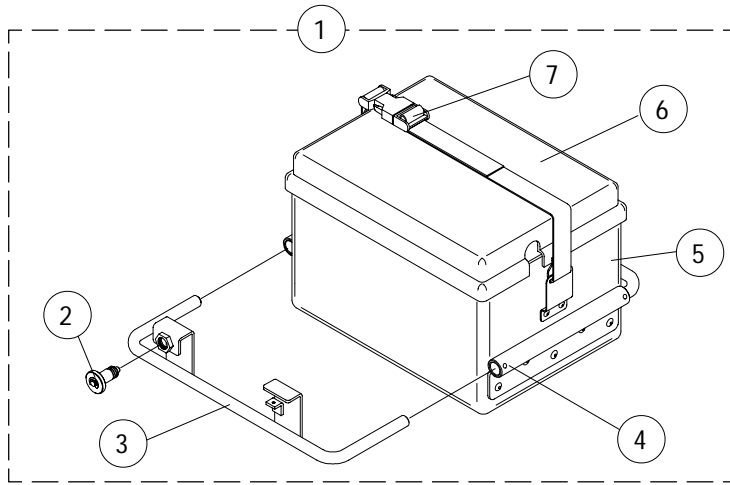
Lester 8 Amp. Battery Charger

Item Number	Part Number	Description	Quantity Per	
			Package	Assembly
1	⚡ 1062556 * 1053163 †085685NLA 05502E047NLA	Battery Charger Round Plug 8 Amp. Single Mode w/ AC Power Line Cord and Square Plug Adapter Cable, CTE Corp. (Used For 14" and 16" Wide Chairs w/ U1 Batteries) Square Plug 8 Amp. Dual Mode, Lester (Used For 18" and 20" Wide Chairs w/ Group 22 Batteries) Square Plug 8 Amp. Dual Mode w/ AC Power Line Cord, Dynamic (not shown) (Used For 18" and 20" Wide Chairs w/ Group 22 Batteries) Square Plug 10 Amp. Dual Mode, Lester (not shown) (Used For 18" and 20" Wide Chairs w/ Group 22 Batteries)	1	1
2	1053831	Adapter Cable (New Charger To Old Harness)	1	1
3	1089627	Cord, AC Power Line	1	1
not shown	1047959	Carrying Pocket, 14"-20" Wide Chairs Seat and Chest Positioning Straps	1	1
not shown		<b>Airline Style Buckle</b>	1	1
	1034751	14", 16", 18" Wide Chairs		
	1034752	20" Wide Chairs		
not shown		<b>Auto Style Buckle</b>	1	1
	1004310	14", 16", 18" Wide Chairs		
	1034625	20" Wide Chairs		
not shown		<b>Hook and Loop Style Buckle</b>	1	1
	1034744	14", 16", 18" Wide Chairs		
	1034745	20" Wide Chairs		
not shown	40176X010	Tire Pump	1	1

\* On 7/18/01 Lester 8 amp. charger was reinstated for service parts.

⚡ The 4 amp. Lester charger was obsoleted and replaced with the 8 amp. CTE charger 4/1/04. Used on Gel Cell or AGM (Absorbed Glass Mat) batteries. CTE charger looks exactly the same as Dynamic's charger except for the company name that is silk screened on the narrow side panel, where the charger plug is (hard wired) attached. Serial number starts with 04A00000001. For wet cell batteries, use the 8 amp. dual mode Lester charger.

## BATTERY BOX and HANGERS (Before 6/93)



Item Number	Part Number	Description	Quantity Per	
			Package	Assembly
1	1034132 1034145	Battery Box -Adult -Hemi	1	1
2	06807X002	Plunger Pin	1	1
3		Battery Box Carriage with Plunger Pin		
	1037475	-Adult Right	1	1
	1037476	-Adult Left	1	1
	1037473	-Hemi Right	1	1
	1037474	-Hemi Left	1	1
4	60284X006	Screw, Hex Head Socket (10-21 x 1/4")	1	4
5	1005639	Battery Box Bottom	1	1
6	1005640	Battery Box Top	1	1
7	1034152	Strap with Buckle	1	1
	1034122	Strap	1	1
8	★ 1039398	<b>Charger Cable Retro Fit Kit, includes:</b> -Battery Charger Cable 1038362 -Bracket 1039369 -Screw (1/4"-20x1-3/4") 1003424 -Instructions 1039397	1	
9	1005714	Jumper Cable	1	1
10	1013948	Battery Cable	1	1
11	50000X060	Cable Guide	1	1
12	7930359	Screw, Phillips Head (10-32 x 1/2")	25	2
13	7930365	Locknut (10-32)	25	2
14		Fuse, 15 Amp.		
	1098892	-Buss ATC-15 (Before 4/1/03)	1	2
	1090117	-Buss Mini ATM-15 (After 3/31/03)	1	2
not shown	1095502	Cable Tie (11-1/2" Long) (Package Quantity Of 10)	10	1

★ Battery charger cable before 5/93 is no longer available.

## BATTERY BOX CONVERSION KITS

(For Chairs Built Before 6/93)

Kit Complete:	14" Adult (1040871)	16" Adult/Hemi (1040873)	18" Adult/Hemi ⊕ (1040874)
<b>Kit Includes:</b>			
Tray Assembly Complete	1044070	1044070	1044069
2 ea. Tray Support, Tray	1037272	1038220	1038220
2 ea. Battery Box Top Assembly	1037275	1037275	1038223
2 ea. Battery Box Bottom Assembly	1009268	1009268	1038224
4 ea. Screw (1/4-20 x 7/8")	1096799	1096799	1096799
4 ea. Locknut (1/4-20)	7930351 (Pkg of 25)	7930351 (Pkg of 25)	7930351 (Pkg of 25)
1 ea. Terminal Hardware	N/A	N/A	1038432
2 ea. Cap, Small Gray Battery Terminal	1096938	1096938	N/A
2 ea. Cap, Small Orange Battery Terminal	1096939	1096939	N/A
2 ea. Cap, Small Red Battery Terminal	N/A	N/A	1095652
2 ea. Cap, Small Black Battery Terminal	N/A	N/A	1095653
2 ea. Cap, Battery Clamp Terminal Red	N/A	N/A	1095245
2 ea. Cap, Battery Clamp Terminal Black	N/A	N/A	1095246
4 ea. Cable Tie (11-1/2" Long)	98007X005	98007X005	98007X005
1 ea. Instruction Sheet, U-1 Battery Box	1097278	1097278	N/A
1 ea. Instruction Sheet, 22NF Battery Box	N/A	N/A	1097277
1 ea. Strap, Battery Lifting	N/A	N/A	50000X121

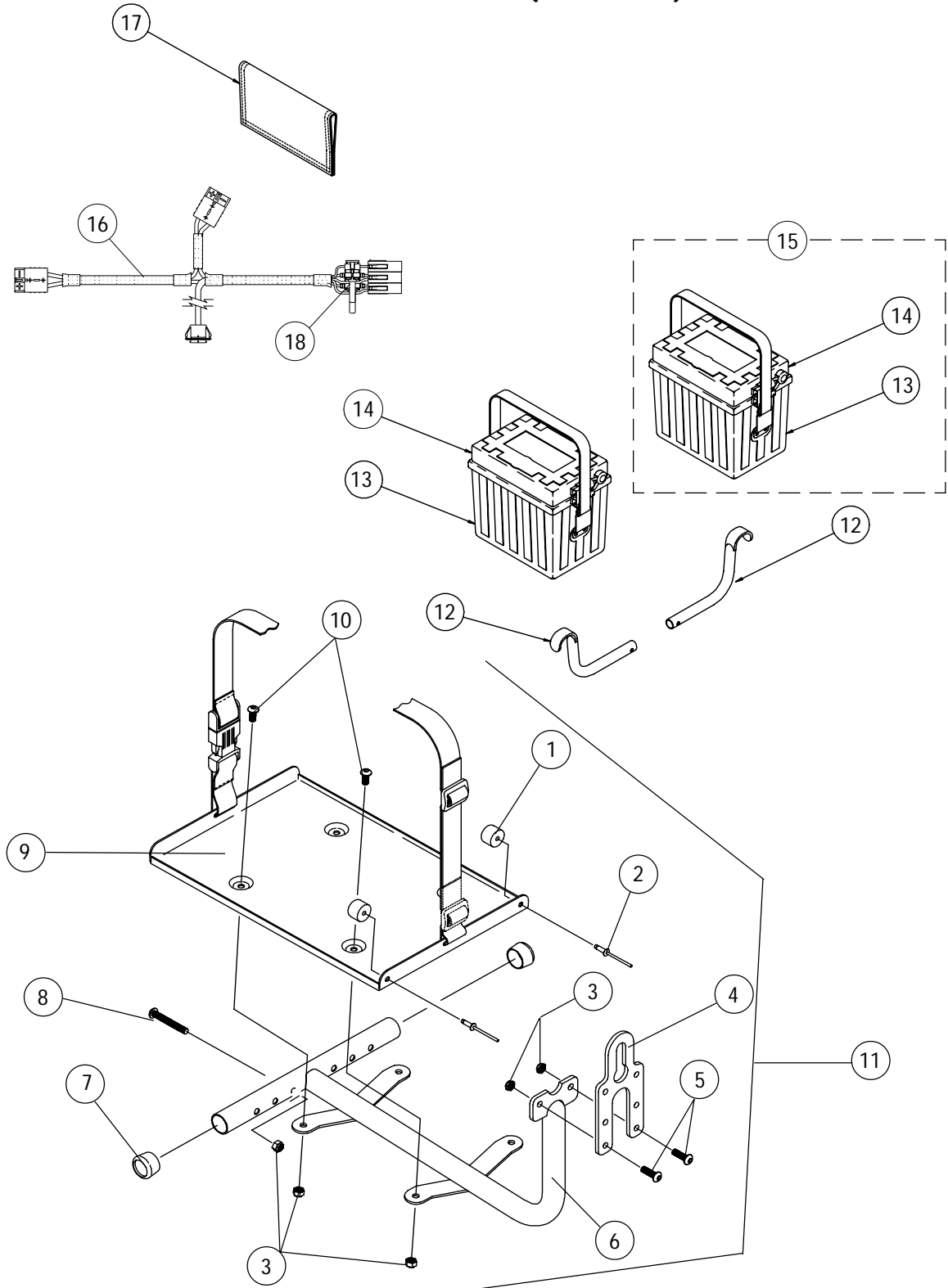
### Each Kit Includes the Following:

1 ea. Screw, Hex Head Cap (5/16-24 x 3-1/2")	1037110
3 ea. Washer (5/16 x 11/16 x 1/16")	16308X000
1 ea. Bushing	1037913
4 ea. Plug Button	1025340
1 ea. Wire Harness	1038806
2 ea. Cable Ties	1021260
1 ea. Charger Bracket	1039369
1 ea. Screw, Socket Head (1/4-20 x 1-3/4")	1003424
2 ea. Anti-Tipper	1034131
2 ea. Pop Rivet	1007094
1 ea. Connector Boot	05501X053
1 ea. Cable Tie Retro Fit	1040041
1 ea. Conversion Kit Instructions	<del>1040870</del> NLA

⊕ *It is Recommended when converting to dual battery boxes on an 18" wide chair built before 6/93 that 1 ea 1085685 Battery Charger be purchased as well.*

# BATTERY TRAY and HANGERS

14" and 16" Chairs (after 5/93)



## BATTERY TRAY and HANGERS

### 14" and 16" Chairs (after 5/93) (continued)

Item Number	Part Number	Description	Quantity Per	
			Package	Assembly
1	1016025	Rubber Bumper	1	2
2	1007094	Pop Rivet (3/16")	1	2
3	7930333	Locknut (1/4-20)	25	8
4	1044066	Tray Hanger	1	1
5	1009838	Screw, Button Head Socket (1/4-20 x 3/4")	1	2
6	1044068	Tray Support (Includes Items 3-5)	1	1
7	15680X012	Anti-Rattle (7/8")	1	1
8	1008432	Screw, Button Head Socket (1/4-20 x 1-1/4")	1	2
9	1037270	Tray and Buckle	1	1
10	1006773	Screw, Button Head Socket (1/4-20 x 1/2")	1	4
11	1044070	Battery Tray	1	1
12		Hanger Bracket	1	2
	1037272	14" Wide Chairs		
	1038220	16" Wide Chairs		
13	1009268	<b>Battery Box Bottom Assembly Includes:</b>	1	2
		Battery Strap 1013319		
		Pop Rivet (5/32) 1003177		
		Washer (5/32 X 3/8 X 1/32) 16348X005		
14	⊗* 1037275	Battery Box Top Asbly., Single Fixed Connector	1	2
15	1061510	Battery Box Assembly, Single Fixed Connector	1	2
16	1038806	Wiring Harness	1	1
17	05501X053	Connector Boot	1	1
18		Fuse, 15 Amp.		
	1098892	Buss ATC-15 (Before 4/1/03)	1	2
	1090117	Buss Mini ATM-15 (After 3/31/03)	1	2
not shown		Fuse, Battery Harness	1	2
	⊗50000X166NLA	Bussman, 60 Amp. (Before 11/5/99)		
	1089385	MIDI, 80 Amp. (After 11/4/99)		
not shown	▲ 1060318	Terminal Hardware, U1 Battery Boxes	2	1
not shown	1095502	Cable Tie (11-1/2" Long) (Package Quantity of 10)	10	1

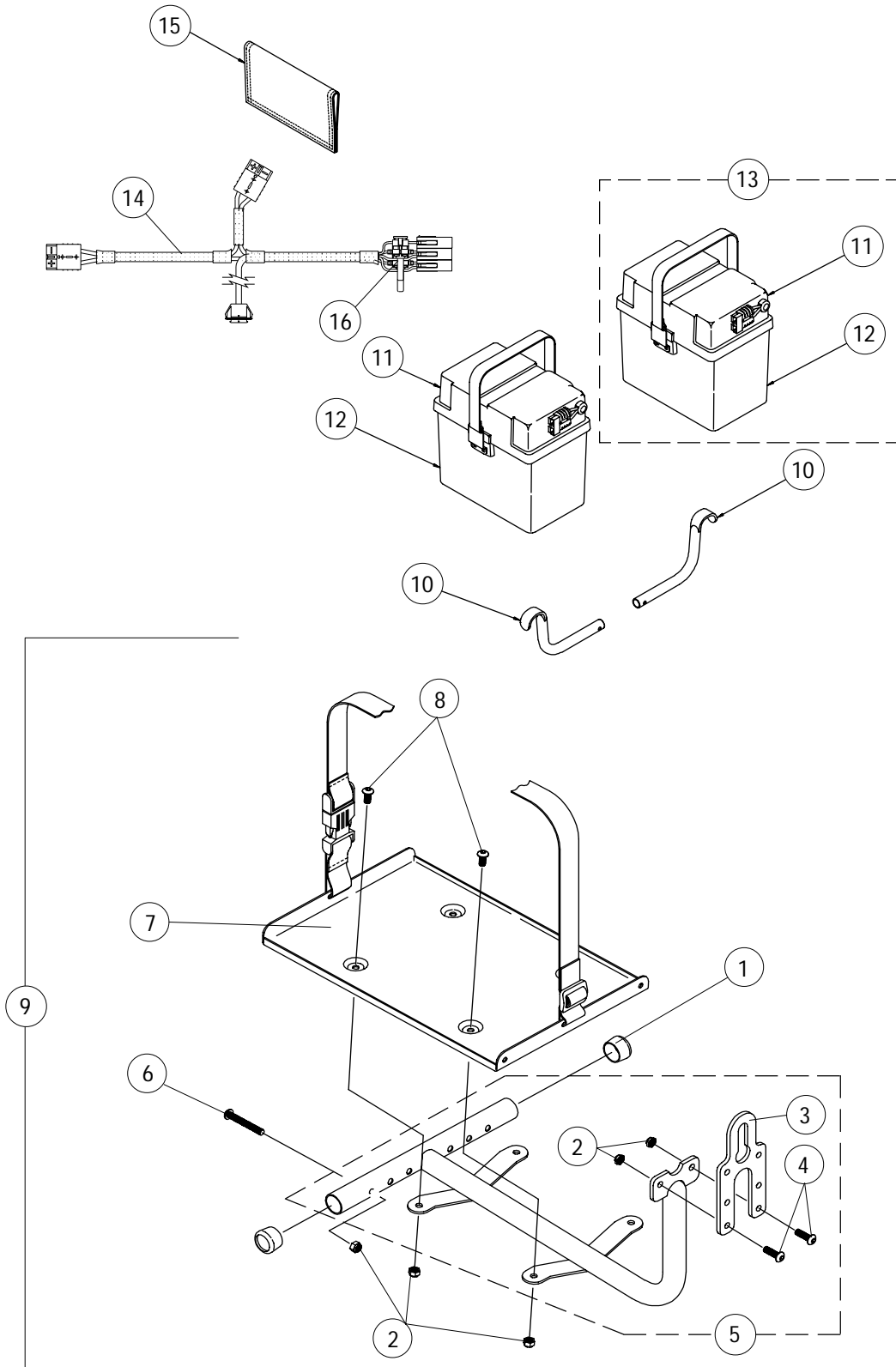
⊗ As of 11/05/99 the battery harness fuse changed from a Bussman 60 Amp. to a MIDI 80 Amp. fuse. This battery box top is compatible for all chairs manufactured before 11/05/99 and must be ordered whenever a replacement Bussman 60 Amp. fuse is requested.

▲ Includes small battery terminal caps (gray and orange), 1/4-20 x 7/8" hex flange screws, 1/4-20 hex flange nuts, cable ties, locking tab washers and instruction sheet for two batteries.

\* It is recommended that new terminal hardware be ordered when a new battery box top is ordered.

# BATTERY BOX, TRAY and HANGERS

18" - 20" Chairs (after 5/93)





## BATTERY BOX, TRAY and HANGERS

### 18" - 20" Chairs (after 5/93) (continued)

Item Number	Part Number	Description	Quantity Per	
			Package	Assembly
1	15680X012	Anti-Rattle (7/8")	1	2
2	7930333	Locknut (1/4-20)	25	8
3	1044066	Tray Hanger	1	1
4	1009838	Screw, Socket Button Head (1/4-20 x 3/4")	1	2
5	1044068	Tray Support Assembly (Includes Items 2-4)	1	1
6	1008432	Screw, Socket Button Head (1/4-20 x 1-1/4")	1	2
7	1037270	Battery Tray and Buckle Strap	1	1
8	1006773	Screw, Socket Button Head (1/4-20 x 1/2")	1	4
9	1044069	Battery Tray Assembly	1	1
10	1038220	Hanger Bracket	1	2
11	* ☉ ☞ 1038223	Battery Box Top, Single Fixed Connector (After 7/31/96)	1	2
12	☉ 1057944	Battery Box Bottom (After 7/31/96)	1	2
13	1064505	Battery Box Asbly., Single Fixed Connector (After 7/31/96)	1	2
14	1038806	Wiring Harness	1	1
15	05501X053	Connector Boot	1	1
16		Fuse, 15 Amp.		
	1098892	Buss ATC-15 (Before 4/1/03)	1	2
	1090117	Buss Mini ATM-15 (After 3/31/03)	1	2
not shown		Fuse, Battery Harness	1	2
	* <del>50000X166</del> <b>NLA</b>	Bussman, 60 Amp. (Before 11/5/99)		
	1089385	MIDI, 80 Amp. (After 11/4/99)		
not shown	▲ 1058618	Terminal Hardware, 22NF Battery Boxes	2	1
not shown	1095502	Cable Tie (11-1/2" Long) (Package Quantity of 10)	10	1

☉ Battery boxes built before 8/1/96 are no longer available. When replacing a battery box top or bottom for chairs built before 8/1/96, both parts must be replaced. See item 13.

\* As of 11/05/99 the battery harness fuse changed from a Bussman 60 Amp. to a MIDI 80 Amp. fuse. This battery box top is compatible for all chairs manufactured before 11/05/99 and must be ordered whenever a replacement Bussman 60 Amp. fuse is requested.

▲ Includes battery clamps, battery clamp caps (red and black), small battery terminal caps (red and black), 1/4-20 x 7/8" hex flange screws, 1/4-20 hex flange nuts, cable ties, locking tab washers and instruction sheet for two batteries.

☞ It is recommended that new terminal hardware be ordered when a new battery box top is ordered.

# FRONT RIGGINGS TABLE OF CONTENTS

	Page Number
93 .....	27
H93 .....	29
93ST .....	31
93E .....	33
H93E .....	35
93M .....	37
H93M .....	39
93M with FPP .....	41
H93M with FPP .....	43
904 .....	45
H904 .....	48
AL4 .....	51
AHL4 .....	54
AS4 .....	57
AHS4 .....	60
Extra Large Footplates	
Footrest .....	68
Legrest .....	72
Wooden Footboard .....	73

# FOOTREST SUPPORT ASSEMBLY

93 - CHROME

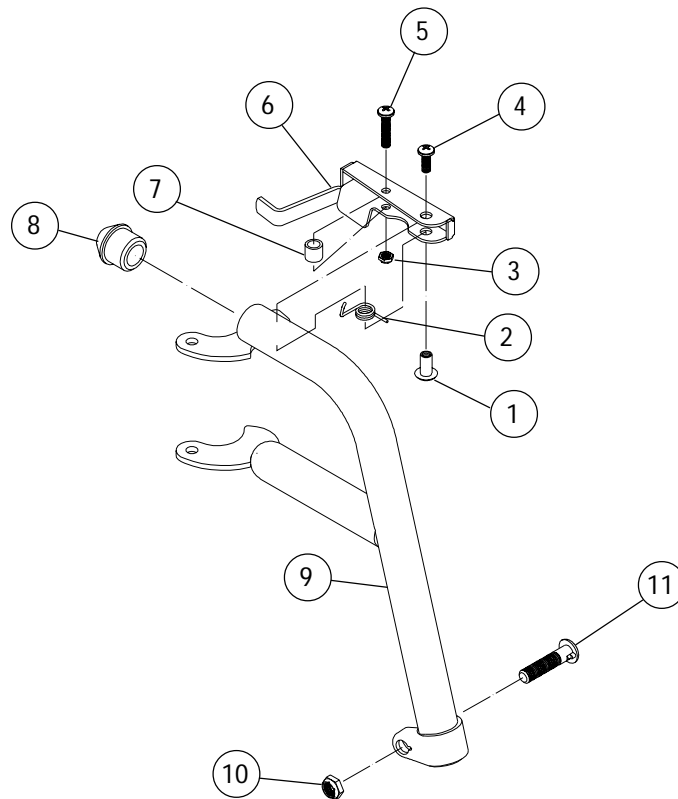
1030708 Right or 1030709 Left

93 - BLACK

1037848 Right or 1037849 Left

93 - COLOR

❖1035779 Right or ❖1035780 Left



❖ Specify frame color, see page 4.

## FOOTREST SUPPORT ASSEMBLY 93 - CHROME COLOR and BLACK (continued)

Item Number	Part Number	Description	Quantity Per	
			Package	Assembly
1	67005X000	Rivnut (10-32)	1	1
2		Release Handle Spring	1	1
	1008935	-Right		
	1008936	-Left		
3	7930365	Locknut (10-32)	25	1
4	7930359	Screw, Phillips Head (10-32 x 1/2")	25	1
5	7930360	Screw, Phillips Head (10-32 x 11/16")	25	1
6		Release Handle	1	1
	1035539	-Right		
	1035540	-Left		
7	47565X057	Bushing (7/32 x 3/8 x 11/32")	1	1
8	1020719	Anti-Rattle Plug	1	1
9		<b>Footrest Support with Release Handle, Bolt, and Locknut</b>	1	1
	1030708	-Right Chrome		
	1030709	-Left Chrome		
	1037848	-Right Black		
	1037849	-Left Black		
	❖ 1035779	-Right Color		
	❖ 1035779	-Left Color		
10	11232X009	Screw, Lug (5/16-24 x 1-3/8")	1	1
11	60264X001	Locknut (5/16-24)	1	1

❖ Specify frame color, see page 4.

**NOTE:** The following pivot slide tubes with footplates are used with the above assembly. For more information on the pivot slide tube or footplates see below.

### Pivot Slide Tube with Aluminum Footplate

Page No.	Size	Right	Left
63	14-15" Wide	1058573	1058574
64	16-22" Wide	1028892	1028893

# FOOTREST SUPPORT ASSEMBLY

H93 - CHROME

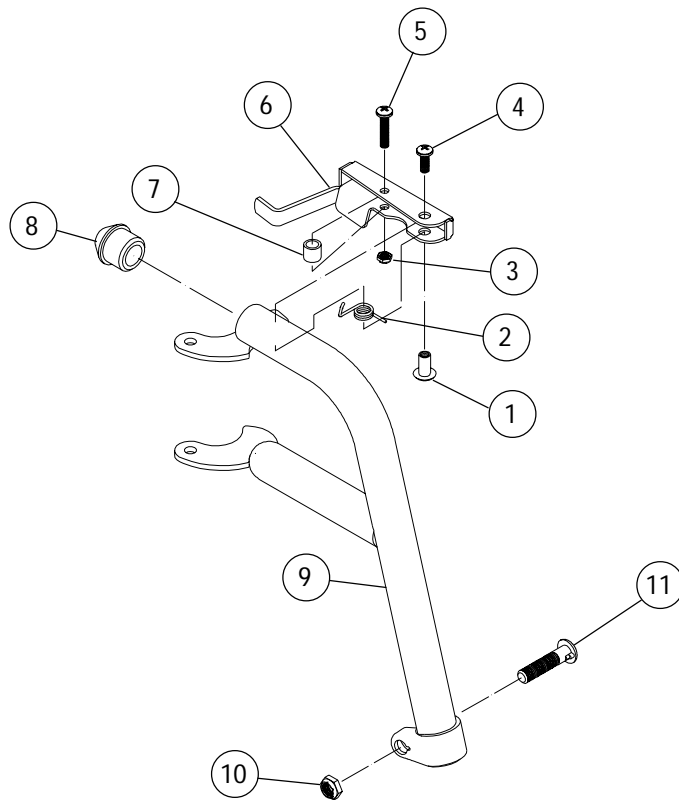
1035152 Right or 1035153 Left

H93 - BLACK

1035163 Right or 1035164 Left

H93 - COLOR

▽ 1037882 Right or ▽ 1037883 Left



❖ Specify frame color, see page 4.

## FOOTREST SUPPORT ASSEMBLY H93 - CHROME, BLACK and COLOR (continued)

Item Number	Part Number	Description	Quantity Per	
			Package	Assembly
1	1028846	Rivnut (10-32)	1	1
2		Release Handle Spring	1	1
	1028707	-Right		
	1028708	-Left		
3	7930332	Locknut (10-32)	25	1
4	7930335	Screw, Phillips Head (10-32 x 1/2")	25	1
5	7930328	Screw, Phillips Head (10-32 x 11/16")	25	1
6		Release Handle	1	1
	1035539	-Right		
	1035540	-Left		
7	47565X057	Bushing (7/32 x 3/8 x 11/32")	1	1
8	1020719	Anti-Rattle Plug	1	1
9		<b>Footrest Support with Release Handle, Bolt, and Locknut</b>	1	1
	1035152	-Right Chrome		
	1035153	-Left Chrome		
	1035163	-Right Black		
	1035164	-Left Black		
	❖ 1037882	-Right Color		
	❖ 1037883	-Left Color		
10	7930330	Locknut (5/16-24)	25	1
11	1026030	Screw, Lug (5/16-24 x 1-3/8")	1	1

❖ Specify frame color, see page 4.

**NOTE:** The following pivot slide tubes with footplates are used with the above assembly. For more information on the pivot slide tube or footplates see below.

### Pivot Slide Tube with Aluminum Footplate

Page No.	Size	Right	Left
64	16-22" Wide	1028892	1028893

# FOOTREST SUPPORT ASSEMBLY

93ST - CHROME

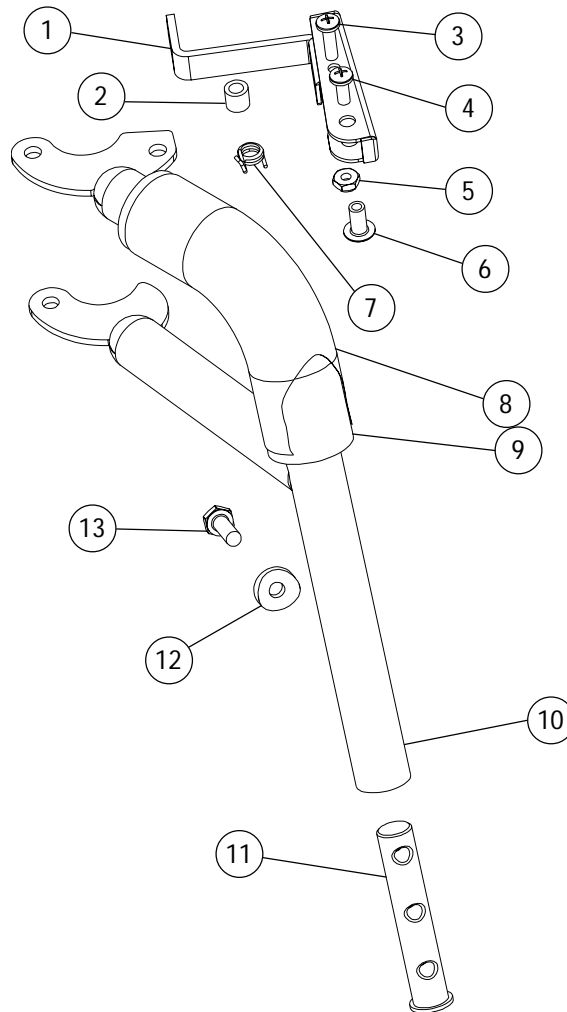
1027992 Right or 1027993 Left

93ST - BLACK

1028015 Right or 1028016 Left

93ST - COLOR

❖1037854 Right or ❖1037855 Left



❖ Specify frame color, see page 4.

## FOOTREST SUPPORT ASSEMBLY 93ST - CHROME, BLACK and COLOR (continued)

Item Number	Part Number	Description	Quantity Per	
			Package	Assembly
1	1035539	Release Handle - Black -Right	1	1
	1035540	-Left		
not shown	⊛ 1026107	Screw, Pan Head (10-32 x 1-3/8")	1	1
not shown	⊛ 1028485	Nut, Hex (10-32)	1	1
2	47565X057	Bushing (7/32 x 3/8 x 11/32")	1	1
3	7930328	Screw, Phillips Head (10-32 x 5/8")	25	1
4	7930335	Screw, Phillips Head (10-32 x 1/2")	25	1
5	7930332	Locknut (10-32)	25	1
6	1028846	Rivnut	1	1
7		Release Handle Spring	1	1
	1028707	-Right		
	1028708	-Left		
8	1030435	Foam Cushion Cover	1	1
9	1030434	Foam Cushion	1	1
10		<b>Footrest Support with Release Handle, Tip, Bolt, and Locknut</b>	1	1
	1027992	-Right Chrome		
	1027993	-Left Chrome		
	1028015	-Right Black		
	1028016	-Left Black		
	❖ 1037854	-Right Color		
	❖ 1037855	-Left Color		
11	1020534	Slide Tube Plug	1	1
12	1026099	Spacer, Coved (1/4 x 11/16 x 1/2")	1	1
13	1045267	Screw, Hex Head (1/4-20 x 3/4")	1	1
not shown	⊛ 1028826	Tip, Release Handle	1	1

⊛ These items are only required on Release Handles for chairs built Before 10/1/00.

❖ Specify frame color, see page 4.

**NOTE:** The following pivot slide tubes with footplates are used with the above assembly.  
For more information on the pivot slide tube or footplates see below.

### Pivot Slide Tube with Composite Footplate

Page No.	Size	Right	Left
67	16-17" Wide	1028391	1028392
67	18-19" Wide	1028387	1028388
67	20-22" Wide	1028383	1028384

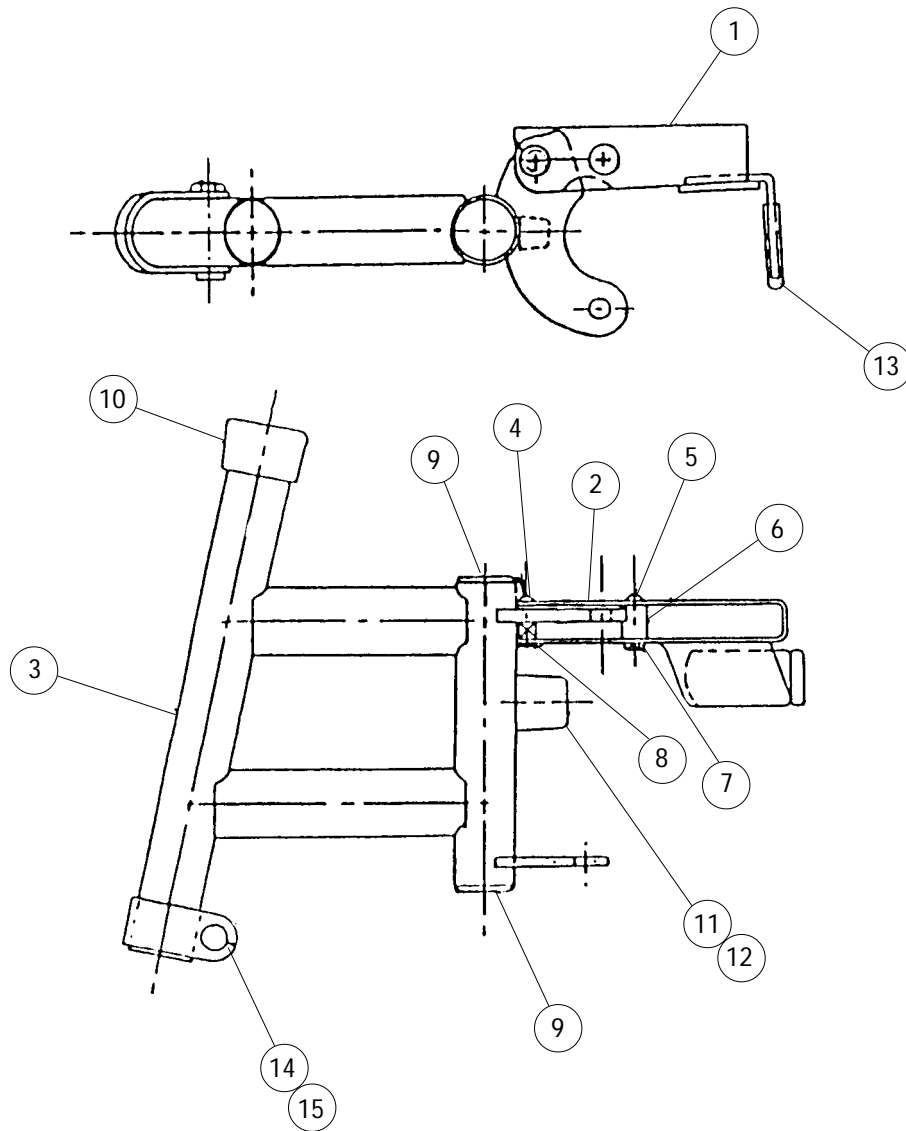


# FOOTREST SUPPORT ASSEMBLY

93E - CHROME,  
1030994 Right or 1030995 Left

93E - BLACK  
1037687 Right or 1037688 Left

93E - COLOR  
❖1037691 Right or ❖1037692 Left



❖ Specify frame color, see page 4.

## FOOTREST SUPPORT ASSEMBLY 93E - CHROME , BLACK and COLOR (continued)

Item Number	Part Number	Description	Quantity Per	
			Package	Assembly
1	1035539	Release Handle -Right	1	1
	1035540	-Left		
2	1008935	Release Handle Spring -Right	1	1
	1008936	-Left		
3		<b>Footrest Support with Release Handle, Tip, Bolt, and Locknut</b>	1	1
	1030994	-Right Chrome		
	1030995	-Left Chrome		
	1037687	-Right Black		
	1037688	-Left Black		
	❖ 1037691	-Right Color		
	❖ 1037692	-Left Color		
4	7930359	Screw, Phillips Head (10-32 x 1/2")	25	1
5	7930360	Screw, Phillips Head (10-32 x 11/16")	25	1
6	47565X057	Bushing (7/32 x 3/8 x 11/32")	1	1
7	7930365	Locknut (10-32)	25	1
8	67005X000	Rivnut (10-32)	1	1
9	1027095	Plug Button (7/8")	1	1
10	15680X012	Anti-Rattle Collar	1	1
11	1022874	Bumper	1	1
12	1030979	Screw, Pan Head (#10 x 3/4")	1	1
13	1006490	Tip, Release Handle (Before 10/1/00 only)	1	1
14	11232X009	Screw, Lug (5/16-24 x 1-3/8")	1	1
15	7930363	Locknut (5/16-24)	25	1

❖ Specify frame color, see page 4.

**NOTE:** The following pivot slide tubes with footplates are used with the above assembly.  
For more information on the pivot slide tube or footplates see below.

### Pivot Slide Tube with Footplate

Page No.	Size	Right	Left
65	14-15" Wide	1033506	1033507
66	16-22" Wide	1028905	1028906

# FOOTREST SUPPORT ASSEMBLY

## H93E - CHROME

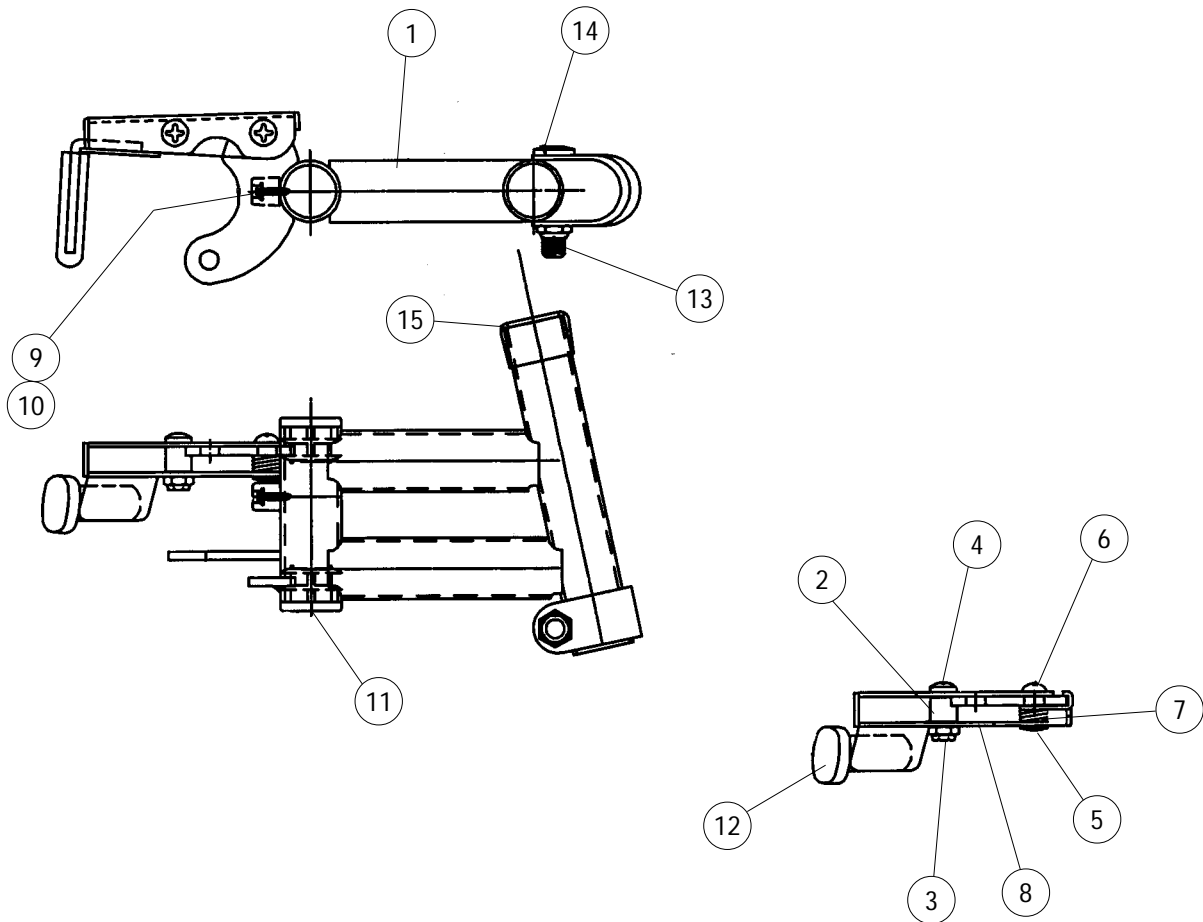
1035525 Right or 1035524 Left

H93E - BLACK

1037858 Right or 1037859 Left

H93E - COLOR

❖1037862 Right or ❖1037863 Left



❖ Specify frame color, see page 4.

## FOOTREST SUPPORT ASSEMBLY H93E - CHROME, BLACK and COLOR (continued)

Item Number	Part Number	Description	Quantity Per	
			Package	Assembly
1		Footrest Support with Release Handle, Tip, Bolt, and Locknut	1	1
	1035525	-Right Chrome		
	1035524	-Left Chrome		
	1037858	-Right Black		
	1037859	-Left Black		
	❖ 1037862	-Right Color		
	❖ 1037863	-Left Color		
2	47565X057	Bushing (7/32 x 3/8 x 11/32")	1	1
3	7930365	Locknut (10-32)	25	1
4	7930360	Screw, Phillips Head (10-32 x 11/16")	25	1
5	67005X000	Rivnut (10-32)	1	1
6	7930359	Screw, Phillips Head (10-32 x 1/2")	1	1
7		Release Handle Spring	1	1
	1008935	-Right		
	1008936	-Left		
8		Release Handle	1	1
	1035539	-Right		
	1035540	-Left		
9	1022874	Bumper	1	1
10	1030979	Screw, Pan Head (#10 x 3/4")	1	1
11	1027095	Plug Button (7/8")	1	1
12	1006490	Tip, Release Handle (Before 10/1/00 only)	1	1
13	7930363	Locknut (5/16-24)	1	1
14	11232X009	Screw, Lug (5/16-24 x 1-3/8")	1	1
15	15680X012	Anti-Rattle	1	1

❖ Specify frame color, see page 4.

**NOTE:** The following pivot slide tubes with footplates are used with the above assembly.  
For more information on the pivot slide tube or footplates see below.

### Pivot Slide Tube with Rubber Edged Footplate

Page No.	Size	Right	Left
66	16"-22" Wide	1028905	1028906



## FOOTREST SUPPORT ASSEMBLY

### 93M - CHROME , BLACK and COLOR (continued)

Item Number	Part Number	Description	Quantity Per	
			Package	Assembly
1		<b>Footrest Support with Release Handle, Tip, Bolt, and Locknut</b>	1	1
	1031191	-Right Chrome		
	1031192	-Left Chrome		
	1037695	-Right Black		
	1037696	-Left Black		
	❖ 1037836	-Right Color		
❖ 1037837	-Left Color			
2		Release Handle Spring	1	1
	1008935	-Right		
	1008936	-Left		
3	67005X000	Rivnut (10-32)	1	1
4	1027095	Plug Button (7/8")	1	1
5	1022874	Bumper	1	1
6	1030979	Screw, Pan Head (#10 x 7/8")	1	1
7	47565X057	Bushing (7/32 x 3/8 x 11/32")	1	1
8	7930365	Locknut (10-32)	25	1
9		Release Handle	1	1
	1035539	-Right		
	1035540	-Left		
10	1006490	Tip, Release Handle ( <i>Before 10/1/00 only</i> )	1	1
11	7930360	Screw, Phillips Head (10-32 x 11/16")	25	1
12	7930359	Screw, Phillips Head (10-32 x 1/2")	25	1
13	11232X009	Screw, Lug (5/16-24 x 1-3/8")	1	1
14	7930363	Locknut (5/16-24)	25	1

❖ Specify frame color, see page 4.

**NOTE:** The following pivot slide tubes with footplates are used with the above assembly.  
For more information on the pivot slide tube or footplates see below.

### Pivot Slide Tube with Aluminum Footplate

Page No.	Size	Right	Left
65	14-15" Wide	1033506	1033507

### Pivot Slide Tube with Rubber Edged Footplate

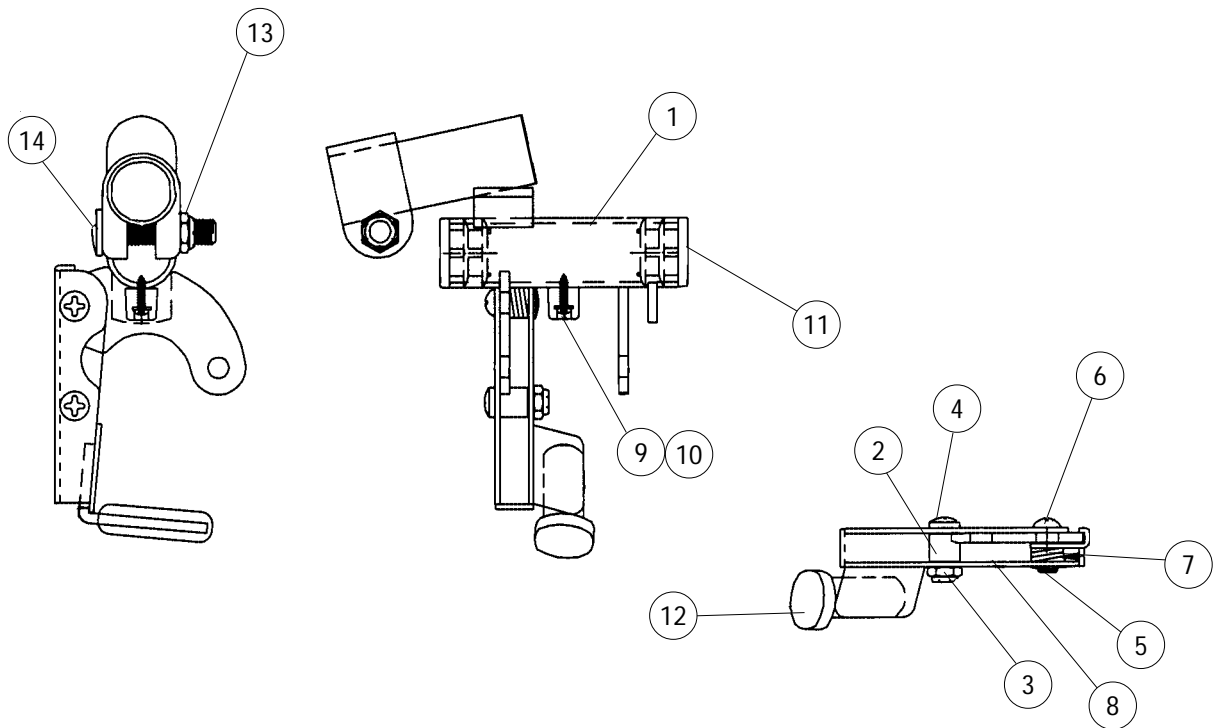
Page No.	Size	Right	Left
66	16-22" Wide	1028905	1028906

# FOOTREST SUPPORT ASSEMBLY

H93M - CHROME  
1035172 Right or 1035171 Left

H93M - BLACK  
1037866 Right or 1037867 Left

H93M - COLOR  
❖1037870 Right or ❖1037871 Left



❖ Specify frame color, see page 4.

## FOOTREST SUPPORT ASSEMBLY H93M - CHROME, BLACK and COLOR (continued)

Item Number	Part Number	Description	Quantity Per	
			Package	Assembly
1		Footrest Support with Release Handle, Tip, Bolt, and Locknut	1	1
	1035172	-Right Chrome		
	1035171	-Left Chrome		
	1037866	-Right Black		
	1037867	-Left Black		
	❖ 1037870	-Right Color		
	❖ 1037871	-Left Color		
2	47565X057	Bushing (7/32 x 3/8 x 11/32")	1	1
3	7930365	Locknut (10-32)	25	1
4	7930360	Screw, Phillips Head (10-32 x 11/16")	25	1
5	67005X000	Rivnut (10-32)	1	1
6	7930359	Screw, Phillips Head (10-32 x 1/2")	25	1
7		Release Handle Spring	1	1
	1008935	-Right		
	1008936	-Left		
8		Release Handle	1	1
	1035539	-Right		
	1035540	-Left		
9	1022874	Bumper	1	1
10	1030979	Screw, Pan Head (#10 x 3/4")	1	1
11	1027095	Plug Button (7/8")	1	1
12	1006490	Tip, Release Handle (Before 10/1/00 only)	1	1
13	7930363	Locknut (5/16-24)	25	1
14	11232X009	Screw, Lug (5/16-24 x 1-3/8")	1	1

❖ Specify frame color, see page 4.

**NOTE:** The following pivot slide tubes with footplates are used with the above assembly.  
For more information on the pivot slide tube or footplates see below.

### Pivot Slide Tube with Rubber Edged Footplate

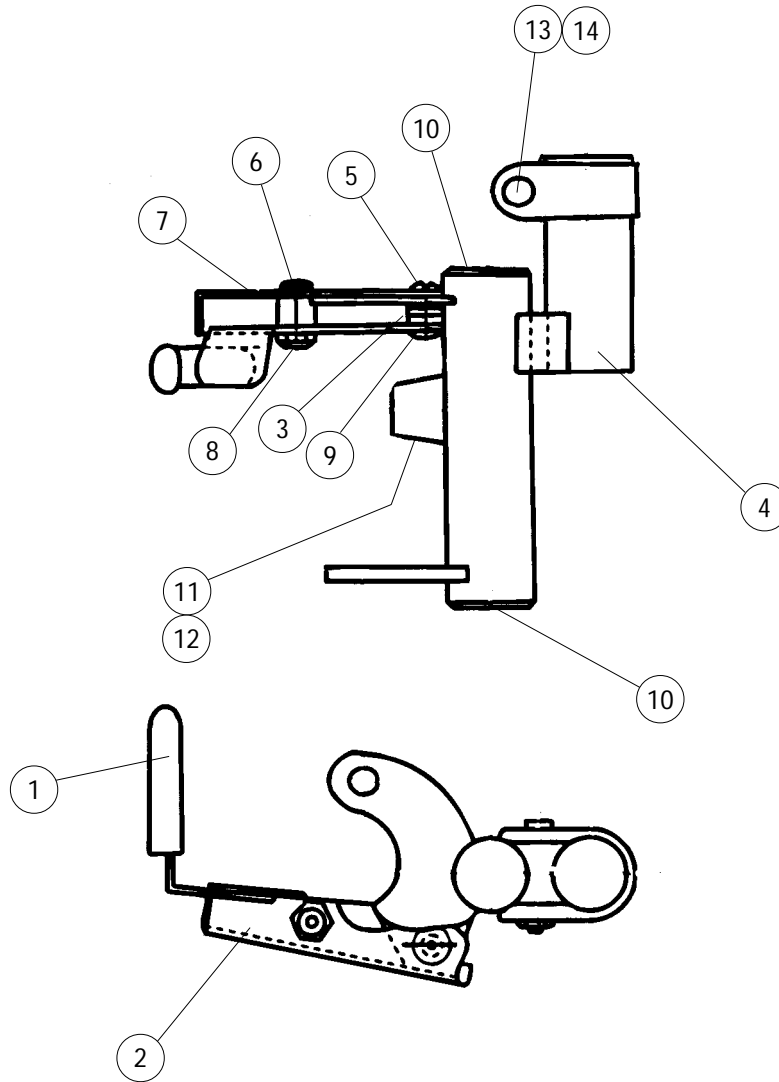
Page No.	Size	Right	Left
66	16"-22" Wide	1028905	1028906



# FOOTREST SUPPORT ASSEMBLY

93M with FPP

1017543 Right or 1017544 Left



## FOOTREST SUPPORT ASSEMBLY 93M with FPP (continued)

Item Number	Part Number	Description	Quantity per	
			Package	Assembly
1	1006490	Tip, Release Handle <i>(Before 10/1/00 only)</i>	1	1
2		Release Handle	1	1
	1035539	-Right		
	1035540	-Left		
3		Release Handle Spring	1	1
	1008935	-Right		
	1008936	-Left		
4		Footrest Support with Release Handle, Tip, Bolt, and Locknut	1	1
	1017543	-Right		
	1017544	-Left		
5	7930359	Screw, Phillips Head (10-32 x 1/2")	25	1
6	7930360	Screw, Phillips Head (10-32 x 11/16")	25	1
7	47565X057	Bushing (7/32 x 3/8 x 11/32")	1	1
8	7930365	Locknut (10-32)	25	1
9	67005X000	Rivnut (10-32)	1	1
10	1027095	Plug Button (7/8")	1	1
11	1022874	Bumper	1	1
12	1030979	Screw (#10 x 3/4")	1	1
13	11232X009	Screw, Lug (5/16-24 x 1-3/8")	1	1
14	7930363	Locknut (5/16-24)	25	1

**NOTE:** The following pivot slide tubes with footplates are used with the above assembly.  
For more information on the pivot slide tube or footplates see corresponding pages below.

### Pivot Slide Tube with Aluminum Footplate

Page No.	Size	Right	Left
65	14-15" Wide	1033506	1033507

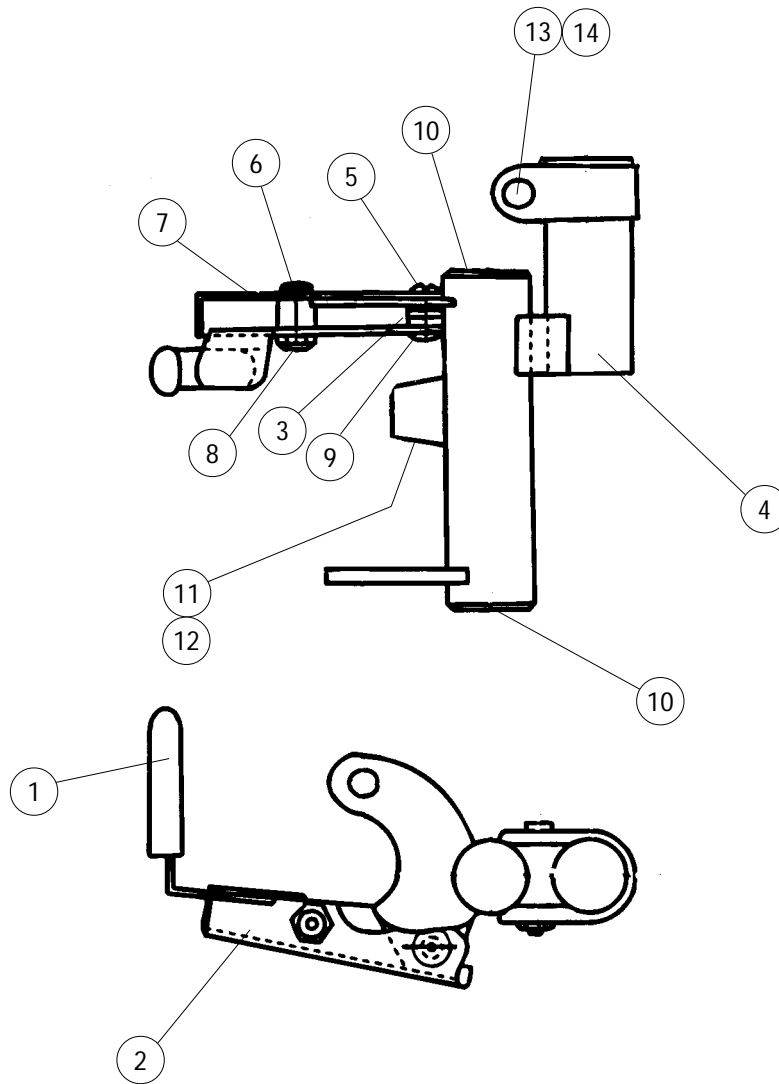
### Pivot Slide Tube with Rubber Edged Footplate

Page No.	Size	Right	Left
66	16-22" Wide	1028905	1028906

# FOOTREST SUPPORT ASSEMBLY

## H93M with FPP

1035449 Right or 1035450 Left



## FOOTREST SUPPORT ASSEMBLY H93M with FPP (continued)

Item Number	Part Number	Description	Quantity Per	
			Package	Assembly
1	1006490	Tip, Release Handle <i>(Before 10/1/00 only)</i>	1	1
2		Release Handle	1	1
	1035539	-Right		
	1035540	-Left		
3		Release Handle Spring	1	1
	1008935	-Right		
	1008936	-Left		
4		<b>Footrest Support with Release Handle, Tip, Bolt, and Locknut</b>	1	1
	1035449	-Right		
	1035450	-Left		
5	7930359	Screw, Phillips Head (10-32 x 1/2")	25	1
6	7930360	Screw, Phillips Head (10-32 x 11/16")	25	1
7	47565X057	Bushing (7/32 x 3/8 x 11/32")	1	1
8	7930365	Locknut (10-32)	1	1
9	67005X000	Rivnut (10-32)	1	1
10	1027095	Plug Button (7/8")	1	1
11	1022874	Bumper	1	1
12	1030979	Screw (#10 x 3/4")	1	1
13	11232X009	Screw, Lug (5/16-24 x 1-3/8")	1	1
14	7930363	Locknut (5/16-24)	25	1

**NOTE:** The following pivot slide tubes with footplates are used with the above assembly.  
For more information on the pivot slide tube or footplates see corresponding pages below.

### Pivot Slide Tube with Rubber Edged Footplate

Page No.	Size	Right	Left
66	16-22" Wide	1028905	1028906

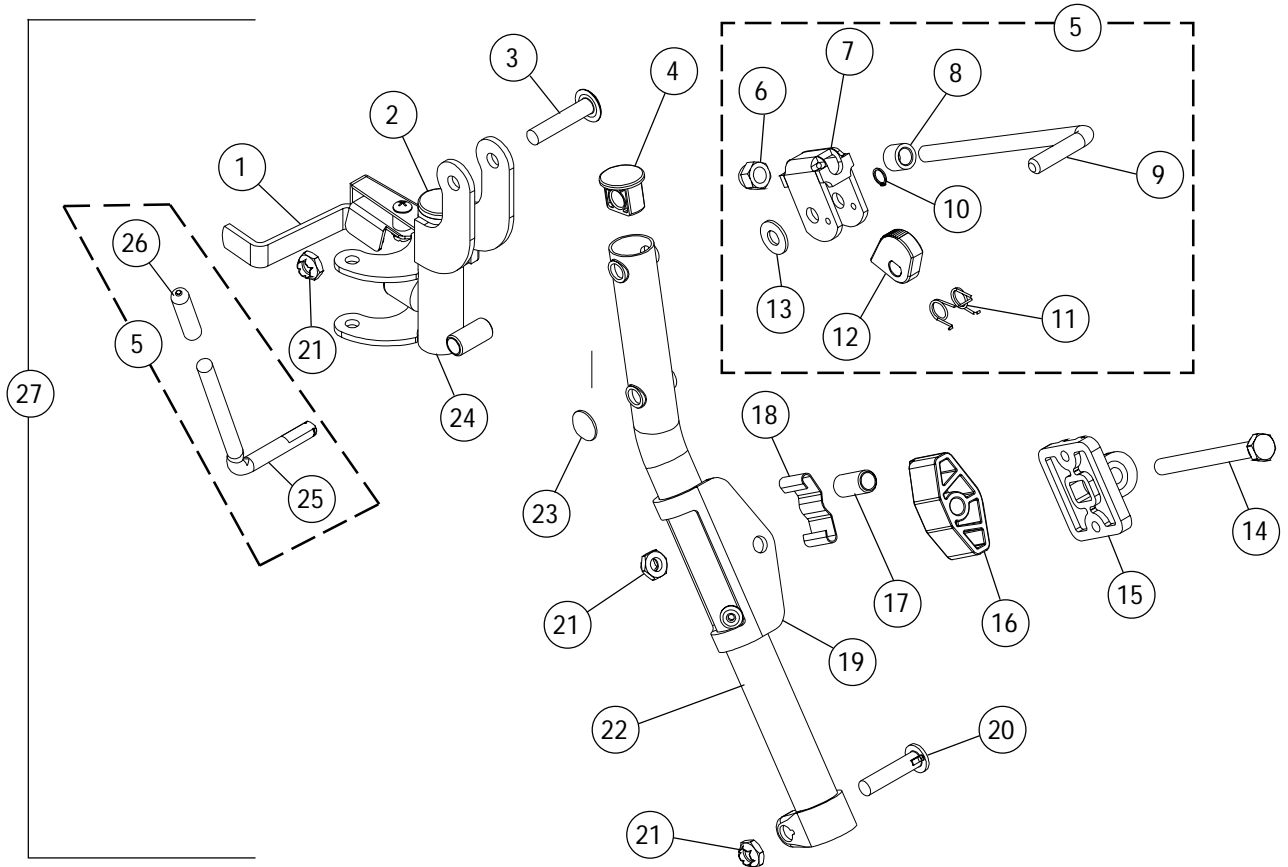
# LEGREST SUPPORT ASSEMBLY

904

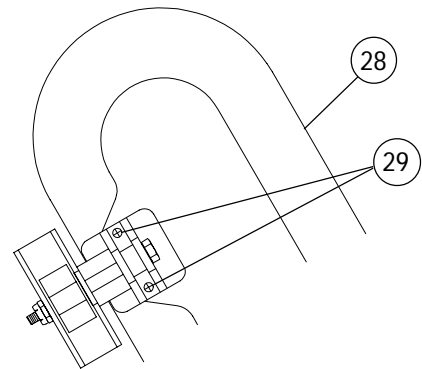
(14-22" Wide Chairs)

1031579 Right

1031580 Left



**NOTE:** Legrest pad and attaching hdwr. not included with support asbly. See item 28.



# LEGREST SUPPORT ASSEMBLY

## 904

### (14-22" Wide Chairs) (continued)

Item Number	Part Number	Description	Quantity Per	
			Package	Assembly
1	1023428	Release Handle - Chrome -Right	1	1
	1023431	-Left	1	1
2	1027095	Plug Button (7/8")	1	1
3	1030948	Screw, Truss Head (5/16-24 x 1-1/2")	1	1
4	1095433	Plug Button (3/4")	1	1
5	⊕ 1046328	Ratchet Bar Kit <b>(Includes items 6-13,25,26)</b> (Pair)	2	1
6	7930336	Nut, Acorn (5/16-24)	25	1
7	⊕ 04528X002	Bracket, Release	1	1
8	47330X003	Spacer	1	1
9	42326X001	Ratchet Bar	1	1
10	★ 1040831	Snap Ring <i>(After 5/94)</i>	1	1
	★ 40187X000	Roll Pin <i>(Before 6/94)</i>	1	1
11	⊕ 1037485	Spring, Release	1	1
12	⊕ 1037125	Legrest Cam	1	1
13	7930310	Washer, Nylon (5/16 x 11/16 x 1/16")	25	1
14	1014807	Screw, Hex Head (5/16-24 x 3-1/4")	1	1
15	04526X019	Legrest Pad Plate	1	1
16	1091220	Spacer	1	1
17	47328X003	Bushing (5/16 x 7/16 x 7/8")	1	1
18	48823X008	Spring	1	1
19	1025104	Bracket	1	1
20	11232X009	Screw, Lug (5/16-24 x 1-3/8")	1	1
21	7930363	Locknut (5/16-24)	25	3
22		Elevating Support Tube	1	1
	1031358	-Right		
	1031359	-Left		
23	1096773	Nut, Push Dome (5/16")	1	1
24		Legrest Support with Release Handle and Bumper	1	1
	1031581	-Right		
	1031582	-Left		
25	⊕ 1037126	Ratchet Handle	1	1
26		Plastic Tip	1	1
	1040060	-After 5/94		
	1006490	-Before 6/94		

⊕ Due to product improvement - items 7,11,12, & 25 are No Longer Available for chairs built before 6/94.  
Ratchet bar kit (item 5) must be ordered for those chairs.

★ After 5/94, the snap ring replaced the roll pin to attach the ratchet handle to the ratchet.

**NOTE:** Items 27 thru 29 are located on page 47.

# LEGREST SUPPORT ASSEMBLY

## 904

### (14-22" Wide Chairs) (continued)

Item Number	Part Number	Description	Quantity Per	
			Package	Assembly
27	1031579 1031580	Legrest Support Assembly (Less Legrest Pad) -Right -Left	1	1
28	◆ 04529X003 ◆ 04529X004 ◆ 1091759 ◆ 1091764 <del>01446X000NLA</del> <del>01415X000NLA</del>	Legrest Pad -Right (14-15" Wide) -Left (14-15" Wide) -Before 9/5/00 (16-22" Wide) (Pair) w/ Screws -After 9/4/00 (16-22" Wide) (Single) Two Piece Plastic Pad 16-22" Legrest Pad Cover 16-22"	1 1 2 1 1 1	1 1 1 1 1 1
29	1066591	Screw (10-32 x 11/16") (Pair)	2	1

◆ Specify upholstery color, see page 4.

**NOTE:** For more information on the pivot slide tube or footplates, see page number referenced below.

### Pivot Slide Tube with Aluminum Footplate

Page No.	Size	Right	Left
69	14" Wide	1020234	1020235

### Pivot Slide Tube with Composite Footplate

Page No.	Size	Right	Left
69	16-22" Wide	1017237	1017238

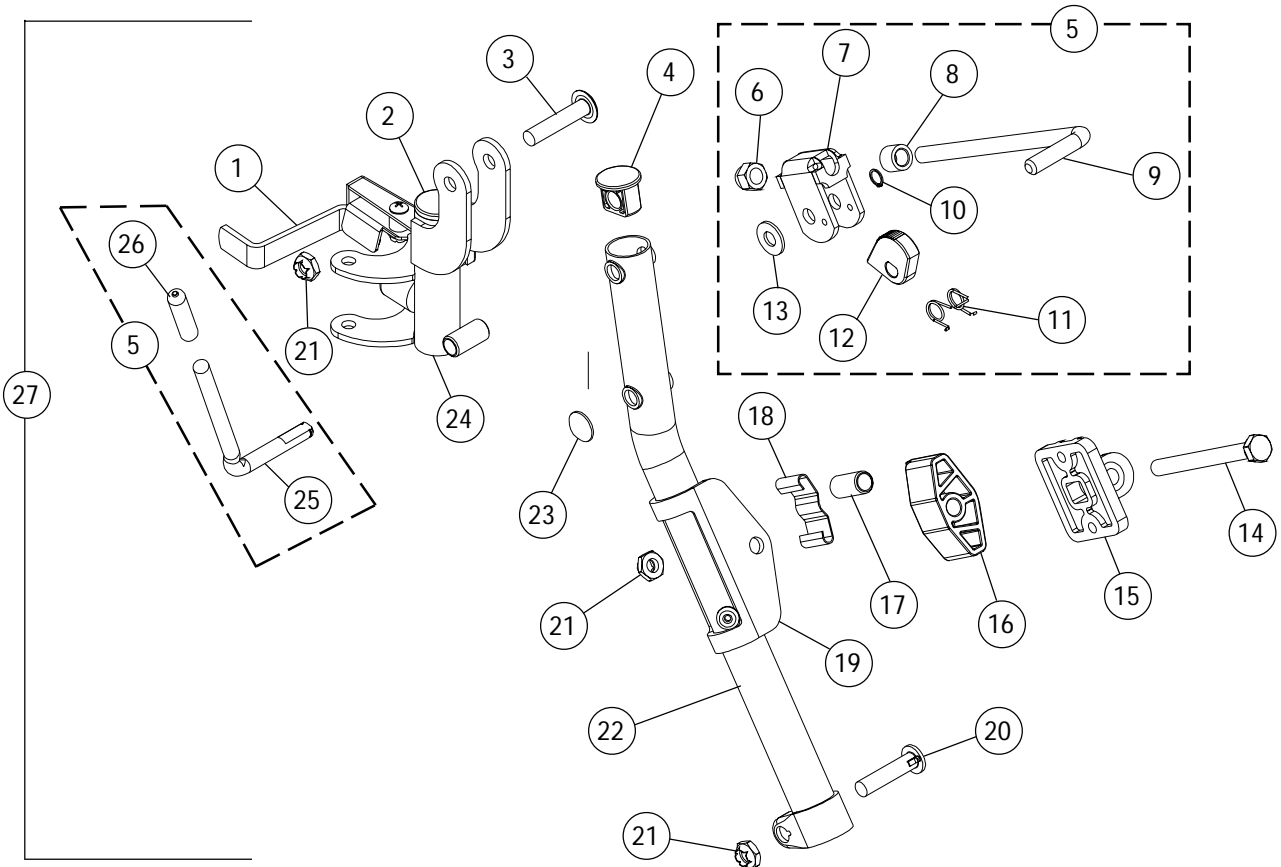
# LEGREST SUPPORT ASSEMBLY

H904

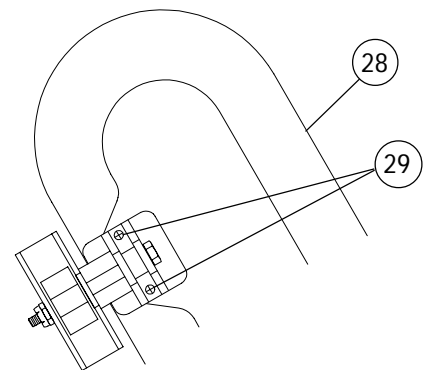
(16-22" Wide Chairs)

1031360 Right

1031361 Left



**NOTE:** Legrest pad and attaching hdwr. not included with support asbly. See item 28.





# LEGREST SUPPORT ASSEMBLY

## H904

### (16-22" Wide Chairs) (continued)

Item Number	Part Number	Description	Quantity Per	
			Package	Assembly
1	1031235	Release Handle - Chrome -Right	1	1
	1031236	-Left	1	1
2	1027095	Plug Button (7/8")	1	1
3	1030948	Screw, Truss Head (5/16-24 x 1-1/2")	1	1
4	1095433	Plug Button (3/4")	1	1
5	⊛ 1046328	Ratchet Bar Kit <b>(Includes items 6-13,25,26)</b> (Pair)	2	1
6	7930336	Nut, Acorn (5/16-24)	25	1
7	⊛ 04528X002	Bracket, Release	1	1
8	47330X003	Spacer	1	1
9	42326X001	Ratchet Bar	1	1
10	★ 1040831	Snap Ring <i>(After 5/94)</i>	1	1
	★ 40187X000	Roll Pin <i>(Before 6/94)</i>	1	1
11	⊛ 1037485	Spring, Release	1	1
12	⊛ 1037125	Legrest Cam	1	1
13	7930310	Washer, Nylon (5/16 x 11/16 x 1/16")	25	1
14	1014807	Screw, Hex Head (5/16-24 x 3-1/4")	1	1
15	04526X019	Legrest Pad Plate	1	1
16	1091220	Spacer	1	1
17	47328X003	Bushing (5/16 x 7/16 x 7/8")	1	1
18	48823X008	Spring	1	1
19	1025104	Bracket	1	1
20	11232X009	Screw, Lug (5/16-24 x 1-3/8")	1	1
21	7930363	Locknut (5/16-24)	25	3
22		Elevating Support Tube	1	1
	1031358	-Right		
	1031359	-Left		
23	1096773	Nut, Push Dome (5/16")	1	1
24		Legrest Support with Release Handle and Bumper	1	1
	1031356	-Right		
	1031357	-Left		
25	⊛ 1037126	Ratchet Handle	1	1
26		Plastic Tip	1	1
	1040060	-After 5/94		
	1006490	-Before 6/94		

⊛ Due to product improvement - items 7,11,12, & 25 are No Longer Available for chairs built before 6/94.  
Ratchet bar kit (item 5) must be ordered for those chairs.

★ After 5/94, the snap ring replaced the roll pin to attach the ratchet handle to the ratchet.

**NOTE:** Items 27 thru 29 are located on page 47.

# LEGREST SUPPORT ASSEMBLY

## H904

### (16 - 22" Wide Chairs) (continued)

Item Number	Part Number	Description	Quantity Per	
			Package	Assembly
27	1031579 1031580	Legrest Support Assembly (Less Legrest Pad) -Right -Left	1	1
28	◆1091759 ◆1091764 <del>01446X000NLA</del> <del>01415X000NLA</del>	Legrest Pad -Before 9/5/00 (Pair) w/ Screws -After 9/4/00 (Single) Two Piece Plastic Pad 16-22" Legrest Pad Cover 16-22"	2 1 1 1	1 1 1 1
29	1066591	Screw (10-32 x 11/16") (Pair)	2	1

◆ Specify upholstery color, see page 4.

**NOTE:** For more information on the pivot slide tube or footplates, see page number referenced below.

### Pivot Slide Tube with Aluminum Footplate

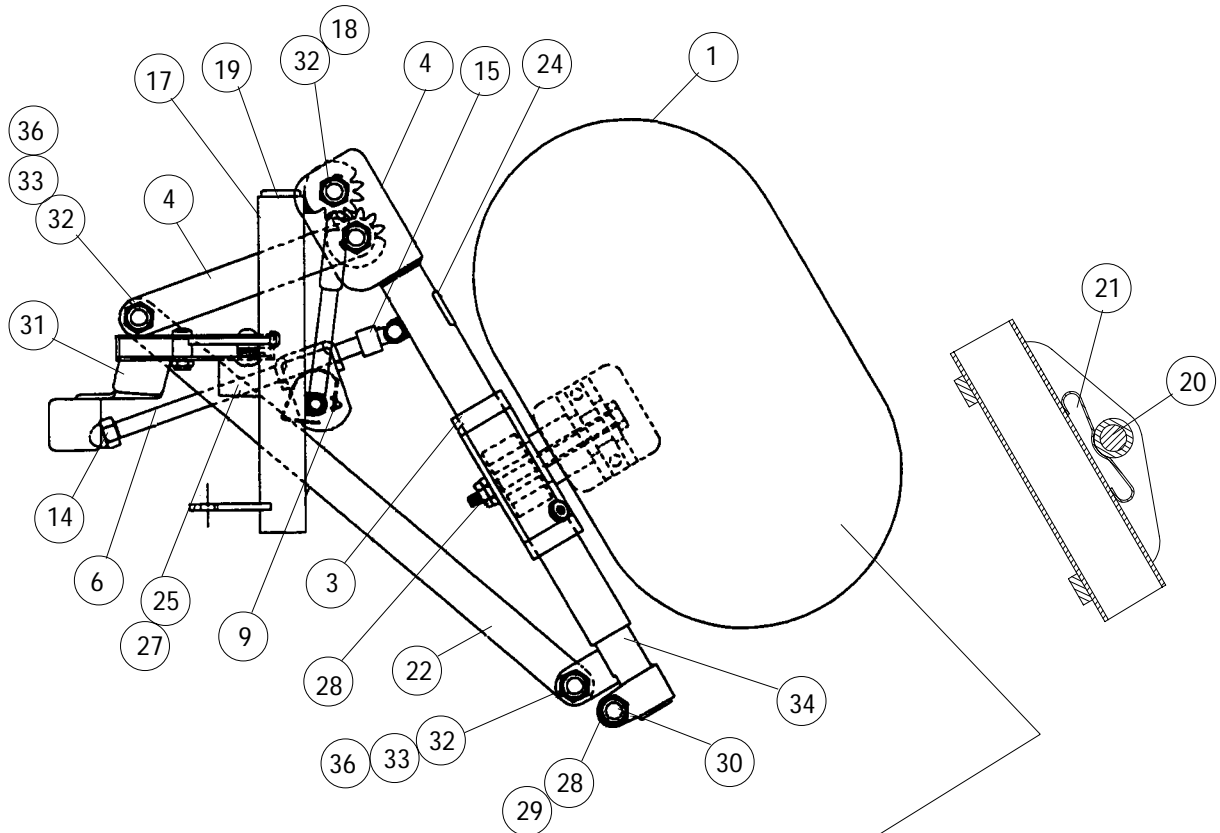
Page No.	Size	Right	Left
69	16-22" Wide	1017237	1017238

# LEGREST SUPPORT ASSEMBLY

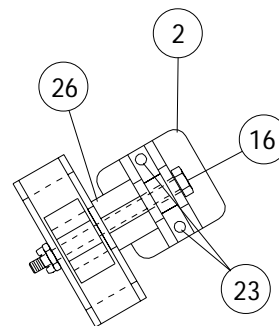
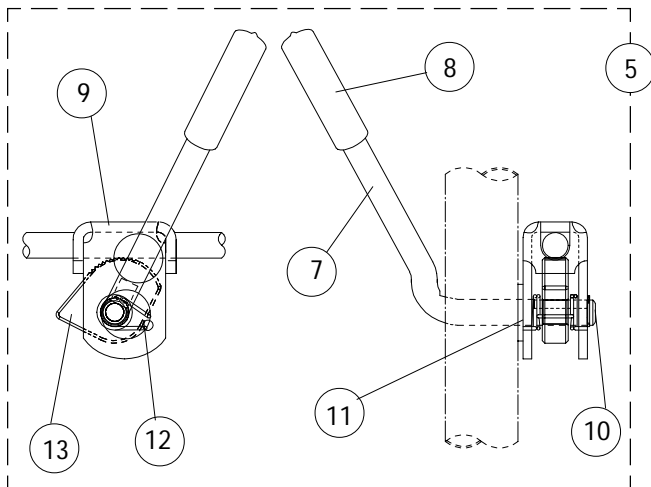
AL4

1031498 Right

1031499 Left



**NOTE:** Legrest pad and attaching hdwr. not included with support asbly. See item 1.



## LEGREST SUPPORT ASSEMBLY AL4 (continued)

Item Number	Part Number	Description	Quantity Per	
			Package	Assembly
1	◆ 1091759	Legrest Pad -Before 9/5/00 (Pair) w/ Screws	2	1
	◆ 1091764	-After 9/4/00 (Single)	1	1
	<del>01446X000</del> NLA	Two Piece Plastic Pad	1	1
	<del>01415X000</del> NLA	Legrest Pad Cover	1	1
2	04526X019	Legrest Pad Plate	1	1
3	1025104	Bracket	1	1
4		Elevating Support Tube with Drive Link	1	1
	1022877	-Right		
	1022878	-Left		
5	⊕ 1046329	Ratchet Bar Kit (Includes items 6-15)	2	1
6	42326X004	Ratchet Bar	1	1
7	⊕ 1037126	Ratchet Handle	1	1
8		Plastic Tip	1	1
	1040060	-After 5/94		
	1006490	-Before 6/94		
9	⊕ 04528X002	Bracket, Release	1	1
10	★ 1040831	Snap Ring (After 5/94)	1	1
	★ 40187X000	Roll Pin (Before 6/94)	1	1
11	7930310	Washer, Nylon (5/16 x 11/16 x 1/16")	25	1
12	⊕ 1037485	Spring, Release	1	1
13	⊕ 1037125	Legrest Cam	1	1
14	7930336	Nut, Acorn (5/16-24)	25	1
15	47330X003	Spacer (5/16 x 1/2 x 3/8")	1	1
16	1014807	Screw, Hex Head (5/16-24 x 3-1/4")	1	1
17		<b>Legrest Support Only</b>	1	1
	1022862	-Right		
	1022863	-Left		
		<b>Legrest Support with Release Handle and Bumper</b>	1	1
	1022871	-Right		
18	1022872	-Left		
	1022854	Screw, Shoulder (1/2 x 1-1/8")	1	1
19		Plug Button (3/4")	1	1
	1027097	-Black (After 5/94)		
	40144X001	-Chrome (Before 6/94)		
20	47328X003	Bushing (5/16 x 7/16 x 7/8")	1	1
21	48823X008	Spring	1	1

◆ Specify upholstery color, see page 4.

⊕ Due to product improvement - items 7,9,12, & 13 are NLA for chairs built before 6/94. Ratchet bar kit (item 5) must be ordered for those chairs.

★ After 5/94, the snap ring replaced the roll pin to attach the ratchet handle to the ratchet.

**NOTE:** Items 22 thru 35 are located on page 53.

## LEGREST SUPPORT ASSEMBLY AL4 (continued)

Item Number	Part Number	Description	Quantity Per	
			Package	Assembly
22	1022846	Link Bar	1	1
23	1066591	Screw (10-32 x 11/16")	2	1
24	1024911	Decal	1	1
25	1030979	Screw, Self Tapping (#10 x 7/8")	1	1
26	1025133	Spacer	1	1
27	1022874	Bumper	1	1
28	7930363	Locknut (5/16-24)	25	1
29	11232X009	Screw, Lug (5/16-24 x 1-3/8")	1	1
30	1027377	Washer (5/16 x 5/8 x 1/8")	1	1
31		Release Handle	1	1
	1023428	-Right		
	1023431	-Left		
32	40363X000	Locknut (3/8-16)	1	1
33	1022866	Screw (3/8-16 x 3/4")	1	1
34	1022848	Slide Tube	1	1
35	1049527	Washer, Nylon (25/64 x 3/4 x 1/16")	1	1

**NOTE:** Items 1-21 are located on page 52

**NOTE:** For more information on the pivot slide tube or footplates, see page number referenced below.

### Pivot Slide Tube with Aluminum Footplate

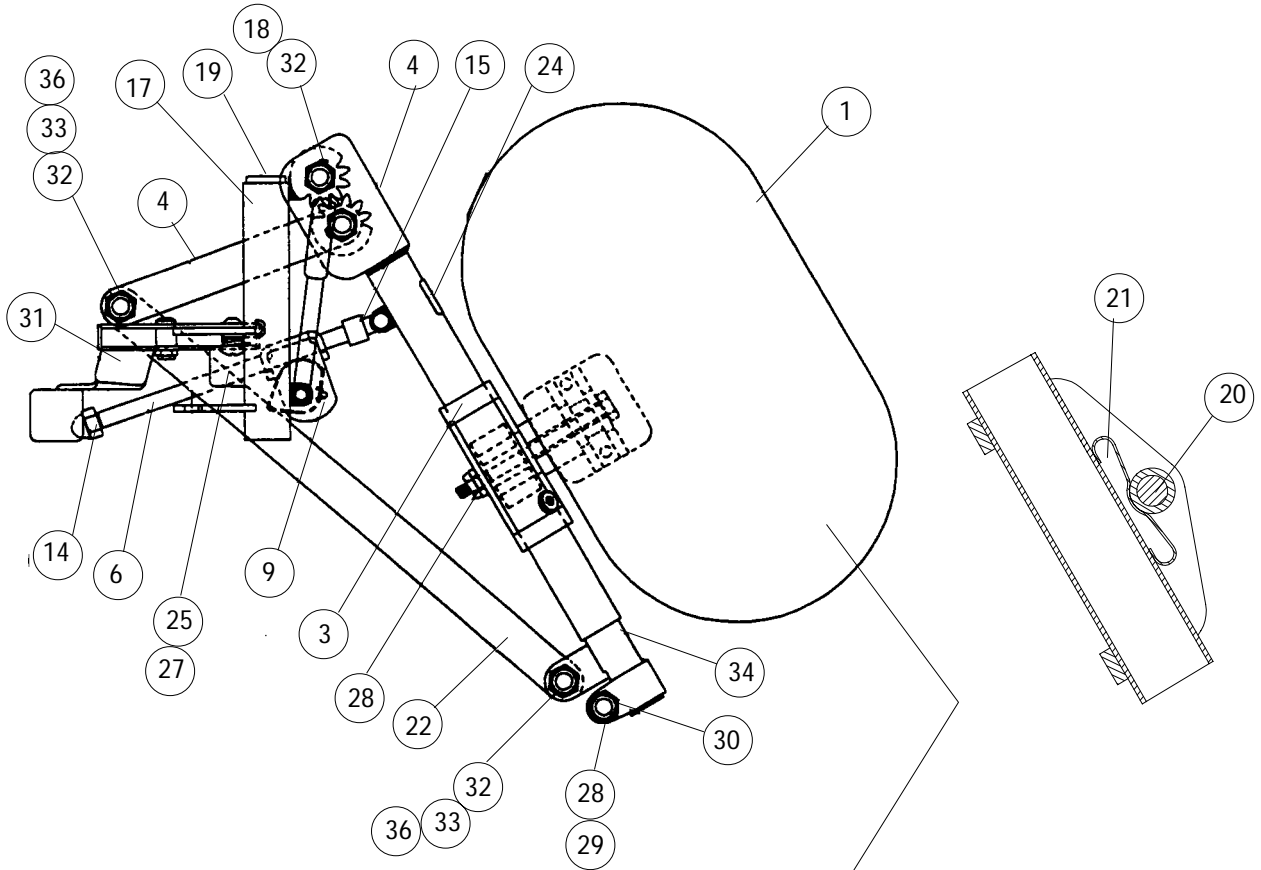
Page No.	Size	Right	Left
71	16-22" Wide	1023907	1023908

# LEGREST SUPPORT ASSEMBLY

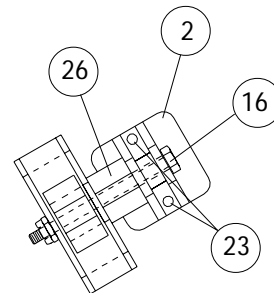
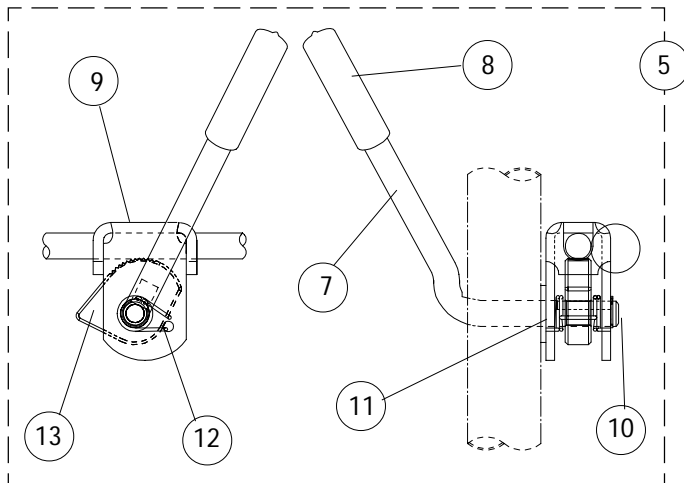
AHL4

1031437 Right

1031438 Left



**NOTE:** Legrest pad and attaching hdwr. not included with support asbly. See item 1.



# LEGREST SUPPORT ASSEMBLY

## AHL4 (continued)

Item Number	Part Number	Description	Quantity Per	
			Package	Assembly
1	◆ 1091759	Legrest Pad -Before 9/5/00 (Pair) w/ Screws	2	1
	◆ 1091764	-After 9/4/00 (Single)	1	1
	<del>01446X000</del> NLA	Two Piece Plastic Pad	1	1
	<del>01415X000</del> NLA	Legrest Pad Cover	1	1
	2	04526X019	Legrest Pad Plate	1
3	1025104	Bracket	1	1
4		Elevating Support Tube with Drive Link	1	1
	1022877	-Right		
	1022878	-Left		
5	⊛ 1046329	Ratchet Bar Kit <b>(Includes items 6-15)</b>	2	1
6	42326X004	Ratchet Bar	1	1
7	⊛ 1037126	Ratchet Handle	1	1
8		Plastic Tip	1	1
	1040060	-After 5/94		
	1006490	-Before 6/94		
9	⊛ 04528X002	Bracket, Release	1	1
10	★ 1040831	Snap Ring (After 5/94)	1	1
	★ 40187X000	Roll Pin (Before 6/94)	1	1
11	7930310	Washer, Nylon (5/16 x 11/16 x 1/16")	25	1
12	⊛ 1037485	Spring, Release	1	1
13	⊛ 1037125	Legrest Cam	1	1
14	7930336	Nut, Acorn (5/16-24)	25	1
15	47330X003	Spacer (5/16 x 1/2 x 3/8")	1	1
16	1014807	Screw, Hex Head (5/16-24 x 3-1/4")	1	1
17		<b>Legrest Support with Release Handle and Bumper</b>	1	1
	1023092	-Right		
	1023093	-Left		
18	1022854	Screw, Shoulder (1/2 x 1-1/8")	1	1
19		Plug Button (3/4")	1	1
	1027097	-Black (After 5/94)	1	1
	40144X001	-Chrome (Before 6/94)	1	1
	20	47328X003	Bushing (5/16 x 7/16 x 7/8")	1
21	48823X008	Spring	1	1

◆ Specify upholstery color, see page 4.

⊛ Due to product improvement - items 7,9,12, & 13 are NLA for chairs built before 6/94. Ratchet bar kit (item 5) must be ordered for those chairs.

★ After 5/94, the snap ring replaced the roll pin to attach the ratchet handle to the ratchet.

**NOTE:** Items 22 thru 35 are located on page 56.

## LEGREST SUPPORT ASSEMBLY AHL4 (continued)

Item Number	Part Number	Description	Quantity Per	
			Package	Assembly
22	1022846	Link Bar	1	1
23	1066591	Screw (10-32 x 11/16")	2	1
24	1024911	Decal	1	1
25	1030979	Screw, Self Tapping (#10 x 7/8")	1	1
26	1025133	Spacer	1	1
27	1022874	Bumper	1	1
28	7930363	Locknut (5/16-24)	25	1
29	11232X009	Screw, Lug (5/16-24 x 1-3/8")	1	1
30	1027377	Washer (5/16 x 5/8 x 1/8")	1	1
31		Release Handle	1	1
	1023428	-Right		
	1023431	-Left		
32	40363X000	Locknut (3/8-16)	1	1
33	1022866	Screw (3/8-16 x 3/4")	1	1
34	1022848	Slide Tube	1	1
35	1049527	Washer, Nylon (25/64 x 3/4 x 1/16")	1	1

**NOTE:** Items 1-21 are located on page 55.

**NOTE:** For more information on the pivot slide tube or footplates, see page number referenced below.

### Pivot Slide Tube with Aluminum Footplate

Page No.	Size	Right	Left
71	16-18" Wide	1023907	1023908

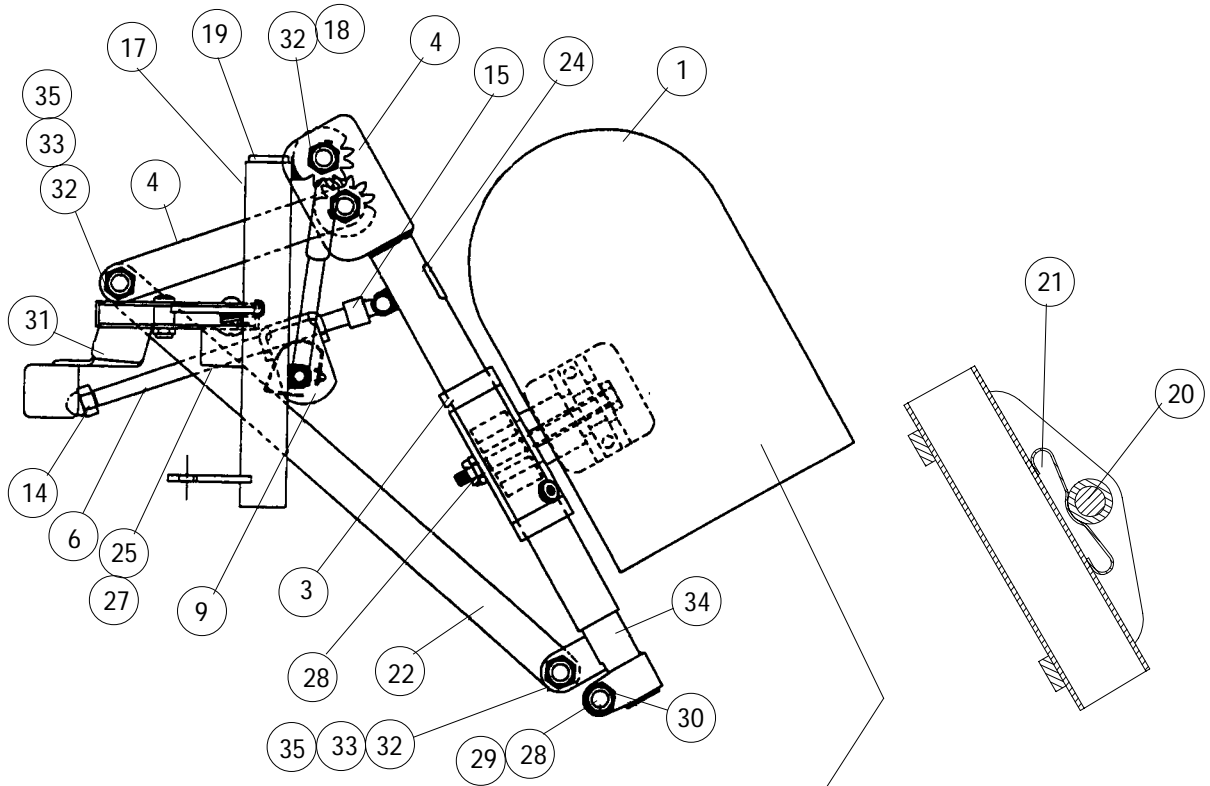


# LEGREST SUPPORT ASSEMBLY

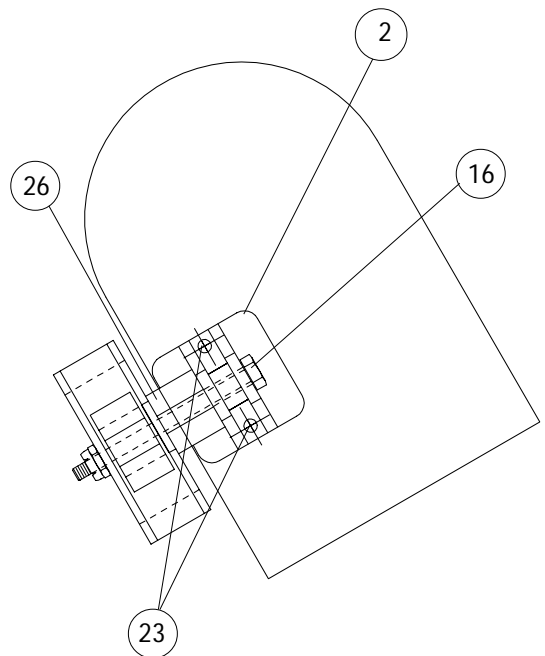
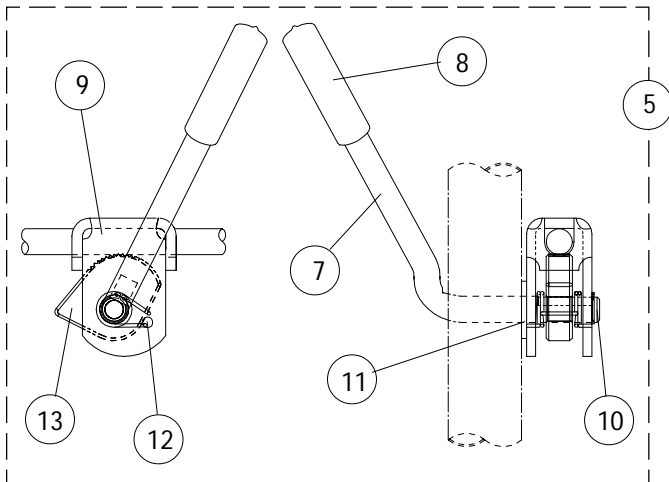
AS4

1031498 Right

1031499 Left



**NOTE:** Legrest pad and attaching hwdr. not included with support asbly. See item 1 and 23.



## LEGREST SUPPORT ASSEMBLY AS4 (continued)

Item Number	Part Number	Description	Quantity Per	
			Package	Assembly
1	◆ 04529X003	Legrest Pad -Right	2	1
	◆ 04529X004	-Left	1	1
2	04526X019	Legrest Pad Plate	1	1
3	1025104	Bracket	1	1
4		Elevating Support Tube w/ Drive Link	1	1
	1022877	-Right		
	1022878	-Left		
5	★ 1046329	Ratchet Bar Kit <b>(Includes items 6-15)</b>	2	1
6	42326X004	Ratchet Bar	1	1
7	★ 1037126	Ratchet Handle	1	1
8		Plastic Tip - Black	1	1
	1040060	-After 5/94		
	1006490	-Before 6/94		
9	★ 04528X002	Bracket, Release	1	1
10	★ 1040831	Snap Ring <i>(After 5/94)</i>	1	1
	★ 40187X000	Roll Pin <i>(Before 6/94)</i>	1	1
11	7930310	Washer, Nylon (5/16 x 11/16 x 1/16")	25	1
12	★ 1037485	Spring, Release	1	1
13	★ 1037125	Legrest Cam	1	1
14	7930336	Nut, Acorn (5/16-24)	25	1
15	47330X003	Spacer (5/16 x 1/2 x 3/8")	1	1
16	1014807	Screw, Hex Head (5/16-24 x 3-1/4")	1	1
17		<b>Legrest Support with Release Handle and Bumper</b>	1	1
	1022871	-Right		
	1022872	-Left		
18	1022854	Screw, Shoulder (1/2 x 1-1/8")	1	1
19		Plug Button (3/4")	1	1
	1027097	-Black <i>(After 5/94)</i>		
	40144X001	-Chrome <i>(Before 6/94)</i>		
20	47328X003	Bushing (5/16 x 7/16 x 7/8")	1	1
21	48823X008	Spring	1	1

◆ Specify upholstery color, see page 4.

★ Due to product improvement - items 7,9,12, & 13 are NLA for chairs built before 6/94. Ratchet bar kit (item 5) must be ordered for those chairs.

★ After 5/94, the snap ring replaced the roll pin to attach the ratchet handle to the ratchet.

**NOTE:** Items 22 thru 35 are located on page 59.

## LEGREST SUPPORT ASSEMBLY AS4 (continued)

Item Number	Part Number	Description	Quantity per	
			Package	Assembly
22	1022846	Link Bar	1	1
23	1066591	Screw (10-32 x 11/16")	2	1
24	1024911	Decal	1	1
25	1030979	Screw, Self Tapping (#10 x 3/4")	1	1
26	1025133	Spacer	1	1
27	1022874	Bumper	1	1
28	7930363	Locknut (5/16-24)	25	2
29	11232X009	Screw, Lug (5/16-24 x 1-3/8")	1	1
30	1027377	Washer (5/16 x 5/8 x 1/8")	1	1
31		Release Handle		
	1023428	-Right	1	1
	1023431	-Left	1	1
32	40363X000	Locknut (3/8-16)	1	3
33	1022866	Screw (3/8-16 x 3/4")	1	2
34	1022848	Slide Tube	1	1
35	1049527	Washer, Nylon (25/64 x 3/4 x 1/16")	1	2

**NOTE:** Items 1-21 are located on page 58.

**NOTE:** For more information on the pivot slide tube or footplates, see page number referenced below.

### Pivot Slide Tube with Aluminum Footplate

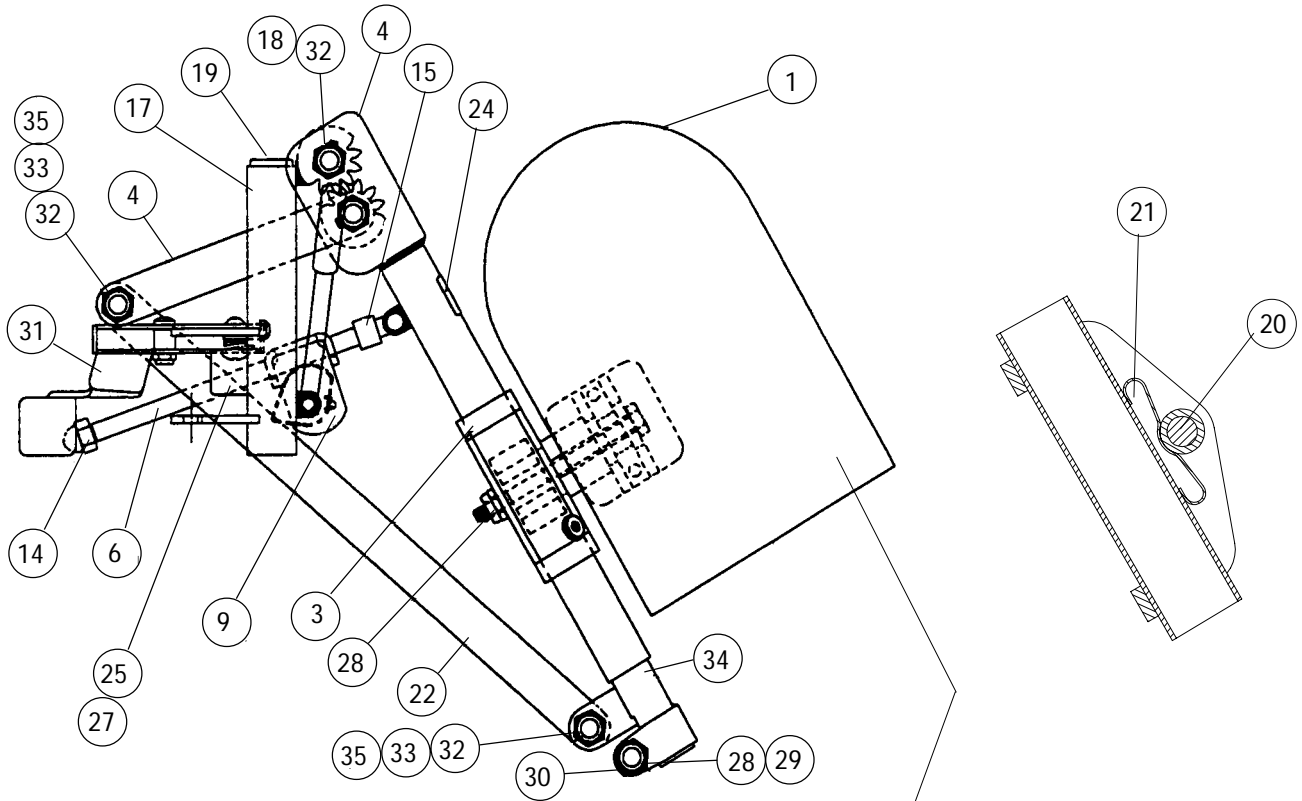
Page No.	Size	Right	Left
70	14-15" Wide	1023905	1023906

# LEGREST SUPPORT ASSEMBLY

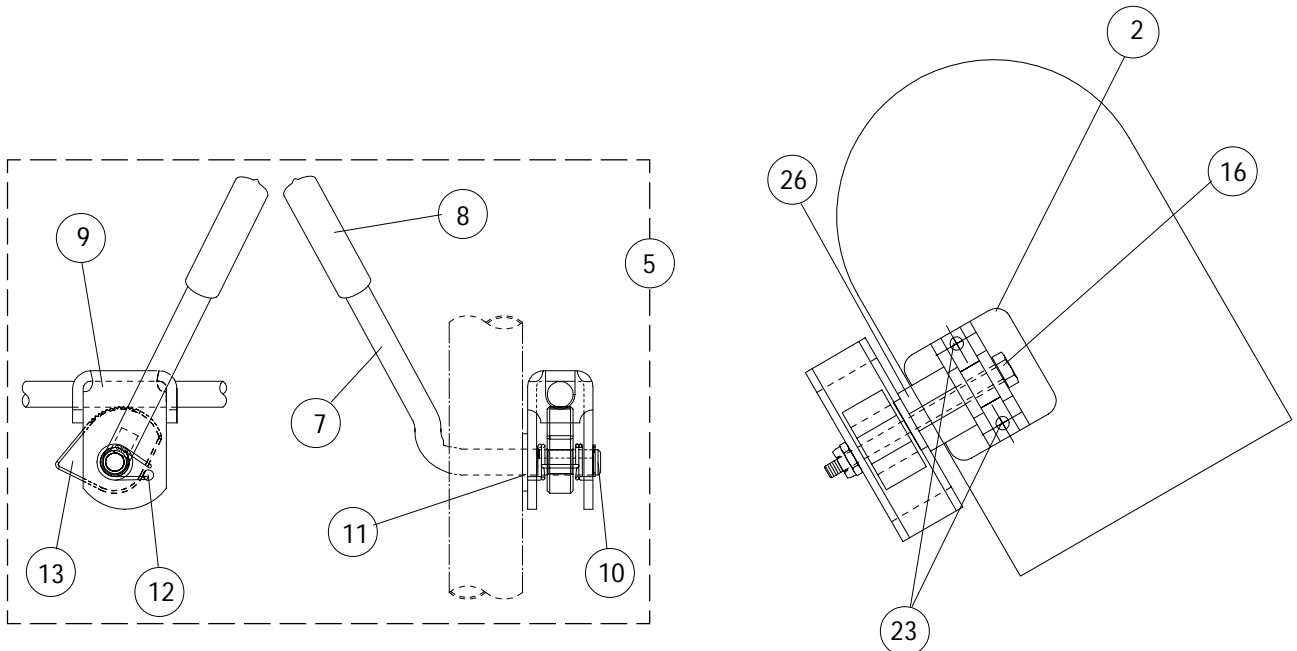
AHS4

1031437 Right

1031438 Left



**NOTE:** Legrest pad and attaching hdwr. not included with support asbly. See item 1 and 23.



## LEGREST SUPPORT ASSEMBLY AHS4 (continued)

Item Number	Part Number	Description	Quantity Per	
			Package	Assembly
1	◆ 04529X003 ◆ 04529X004	Legrest Pad -Right -Left	1	1
2	04526X019	Legrest Pad Plate	1	1
3	1025104	Bracket	1	1
4	1022877 1022878	Elevating Support Tube w/ Drive Link -Right -Left	1 1	1 1
5	⊛ 1046329	Ratchet Bar Kit <b>(Includes items 6-15)</b>	2	1
6	42326X004	Ratchet Bar	1	1
7	⊛ 1037126	Ratchet Handle	1	1
8	1040060 1006490	Plastic Tip -After 5/94 -Before 6/94	1	1
9	⊛ 04528X002	Bracket, Release	1	1
10	★ 1040831 ★ 40187X000	Snap Ring <i>(After 5/94)</i> Roll Pin <i>(Before 6/94)</i>	1 1	1 1
11	7930310	Washer, Nylon (5/16 x 11/16 x 1/16")	25	1
12	⊛ 1037485	Spring, Release	1	1
13	⊛ 1037125	Legrest Cam	1	1
14	7930336	Nut, Acorn (5/16-24)	25	1
15	47330X003	Spacer (5/16 x 1/2 x 3/8")	1	1
16	1014807	Screw, Hex Head (5/16-24 x 3-1/4")	1	1
17	1023092 1023093	<b>Legrest Support with Release Handle and Bumper</b> -Right -Left	1	1
18	1022854	Screw, Shoulder (1/2 x 1-1/8")	1	1
19	1027097 40144X001	Plug Button (3/4") -Black <i>(After 5/94)</i> -Chrome <i>(Before 6/94)</i>	1	1
20	47328X003	Bushing (5/16 x 7/16 x 7/8")	1	1
21	48823X008	Spring	1	1

◆ Specify upholstery color, see page 4.

⊛ Due to product improvement - items 7,9,12, & 13 are NLA for chairs built before 6/94. Ratchet bar kit (item 5) must be ordered for those chairs.

★ After 5/94, the snap ring replaced the roll pin to attach the ratchet handle to the ratchet.

**NOTE:** Items 22 thru 35 are located on page 62.

## LEGREST SUPPORT ASSEMBLY AHS4 (continued)

Item Number	Part Number	Description	Quantity Per	
			Package	Assembly
22	1022846	Link Bar	1	1
23	1066591	Screw (10-32 x 11/16")	2	1
24	1024911	Decal	1	1
25	1030979	Screw, Self Tapping (#10 x 3/4")	1	1
26	1025133	Spacer	1	1
27	1022874	Bumper	1	1
28	60264X001	Locknut (5/16-24)	1	1
29	11232X009	Screw, Lug (5/16-24 x 1-3/8")	1	1
30	1027377	Washer (5/16 x 5/8 x 1/8")	1	1
31		Release Handle	1	1
	1023428	-Right		
	1023431	-Left		
32	40363X000	Locknut (3/8-16)	1	1
33	1022866	Screw (3/8-16 x 3/4")	1	1
34	1022848	Slide Tube	1	1
36	1049527	Washer, Nylon (25/64 x 3/4 x 1/16")	1	1

**NOTE:** Items 1-21 are located on page 61.

**NOTE:** For more information on the pivot slide tube or footplates, see page number referenced below.

### Pivot Slide Tube with Aluminum Footplate

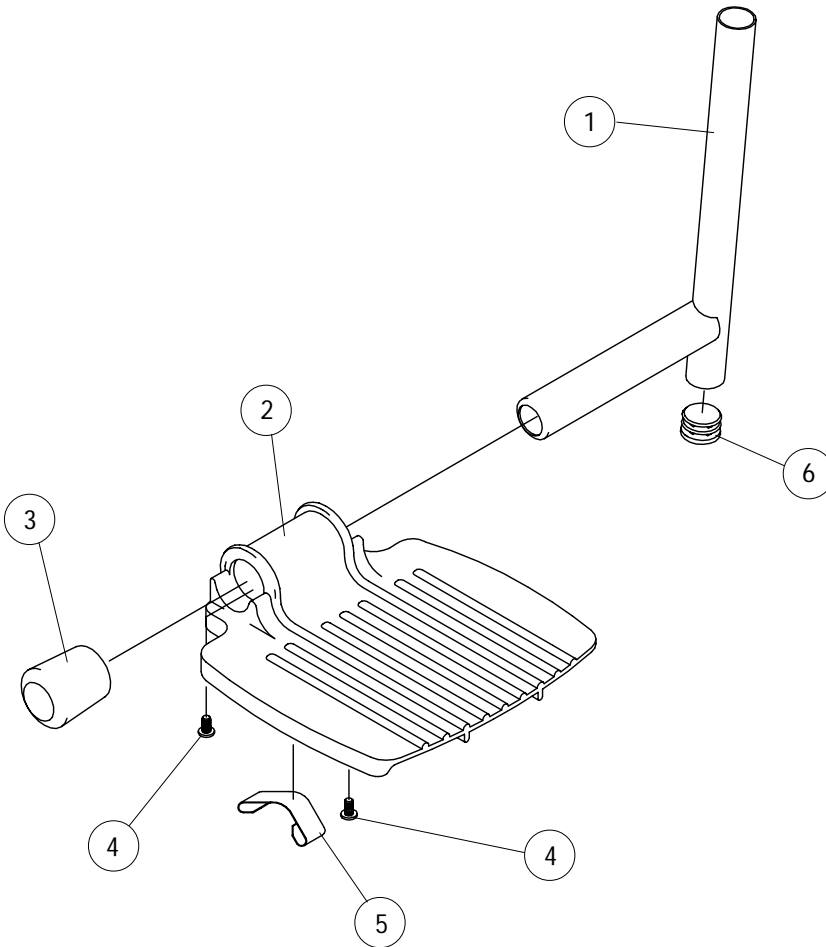
Page No.	Size	Right	Left
70	14-15" Wide	1023905	1023906

# PIVOT SLIDE TUBE WITH FOOTPLATE

## (For 14" Chairs)

1058573 Right      -or-      1058574 Left

Used with the following Support Assemblies of:	
93	Chrome
93	Black
93	Color



Item Number	Part Number	Description	Quantity Per	
			Package	Assembly
1	1041527	Pivot Slide Tube with Plug Buttons	1	1
2	44200X059	Footplate	1	1
3	1016346	Tube End Cap - Black	1	1
4	1025729	Screw, Pan Head (8-32 x 3/8")	1	1
5	1006981	Spring	1	2
6	1028097	Plug Button (3/4") - Black	1	1

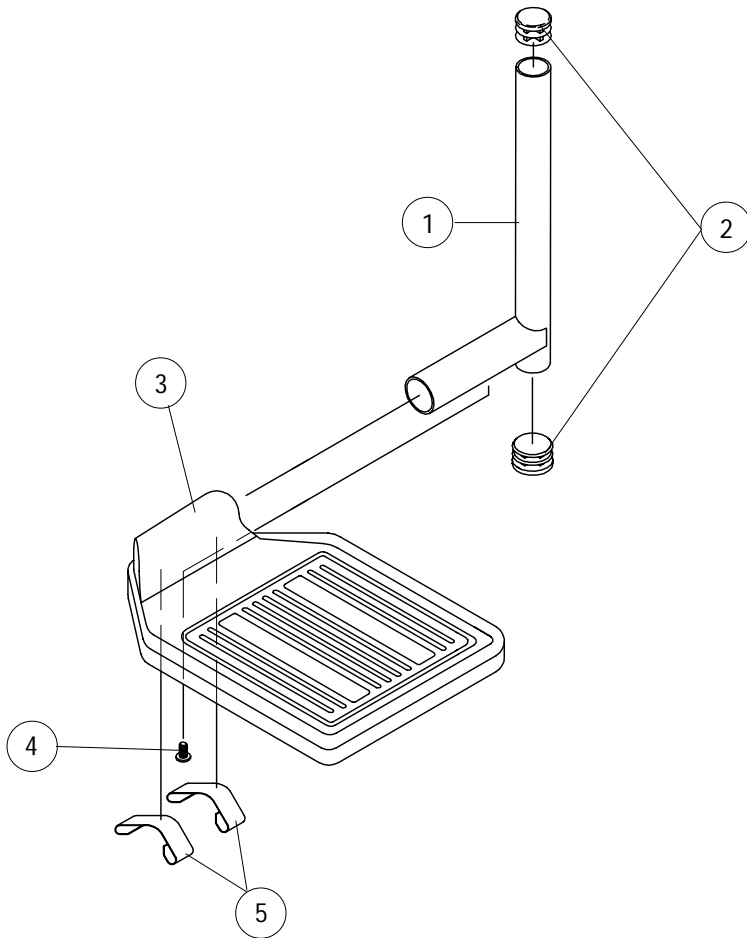
# PIVOT SLIDE TUBE WITH FOOTPLATE

(For 16" and 18" Chairs)

1028892 Right

-or-

1028893 Left



Used with the following Support Assemblies of:	
93	Chrome
93	Black
93	Color

Item Number	Part Number	Description	Quantity Per	
			Quantity	Assembly
1	1041525	Pivot Slide Tube with Plug Buttons	1	1
2	1027097	Plug Button (3/4") - Black	1	2
3	★ 1044213	Footplate, Black, with Rubber Edge	1 pair	1
	1043659	- Right	1	1
	1043660	- Left	1	1
4	7930354	Screw, Socket Head (8-32 x 3/8")	25	1
5	1036120	Spring	1	2

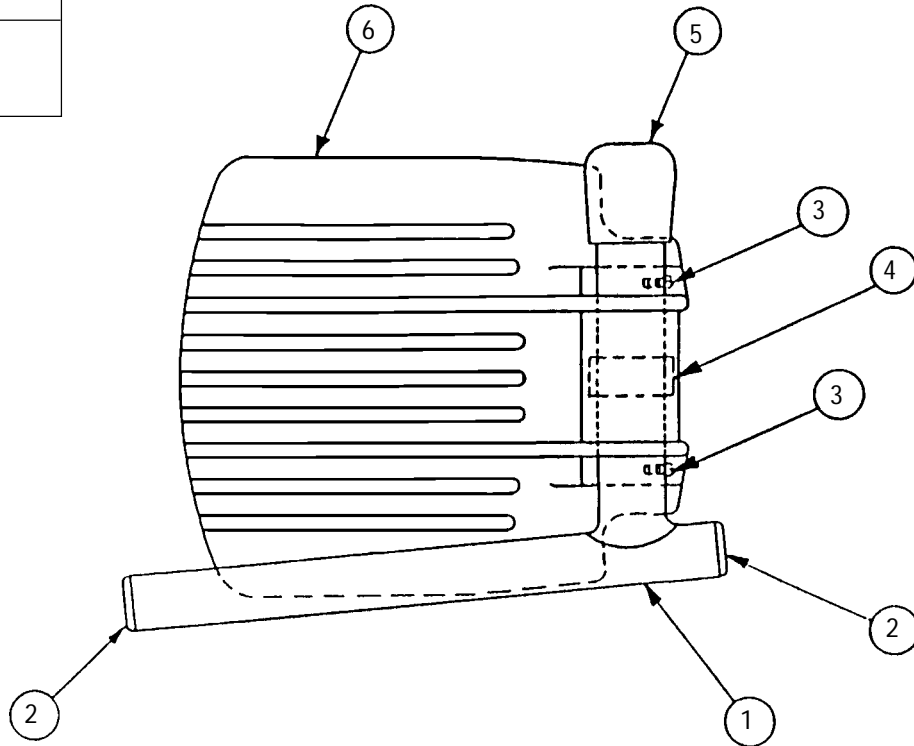
★ Front riggings built before 12/93 had footplates with a flat black finish, after 11/93 the finish is "wrinkle black". For front riggings built before 12/93 order the footplates or footplates with pivot slidetube in pairs



# PIVOT SLIDE TUBE WITH FOOTPLATE

(14" - 15" Wide Chairs)  
1033506 Right or 1033507 Left

<b>Used with the following Support Assemblies on:</b>	
93E	Chrome
93M	Chrome



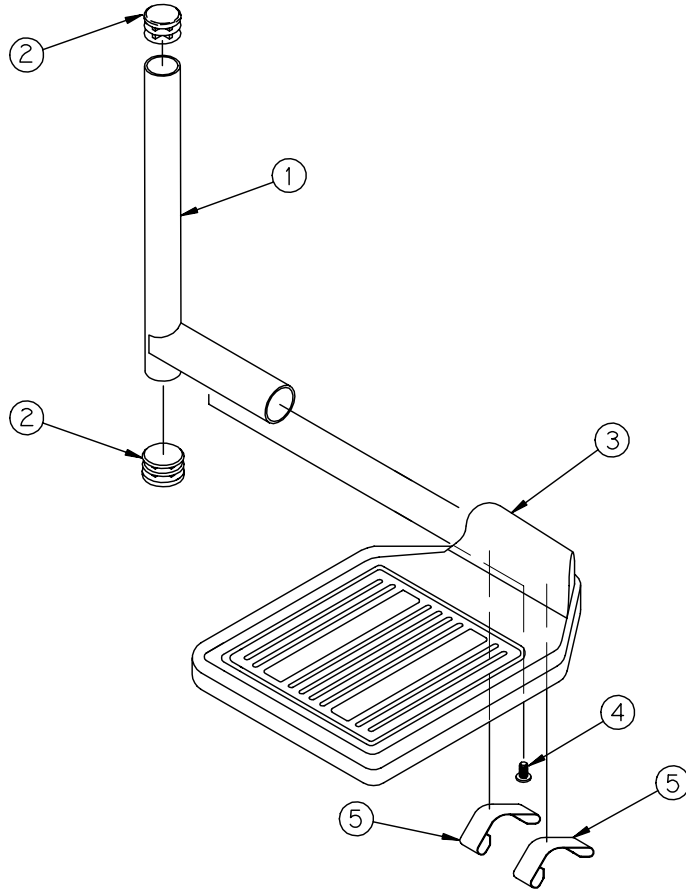
Item Number	Part Number	Description	Quantity Per	
			Package	Assembly
1	1041528	Pivot Slide Tube	1	1
2	1027097	Plug Button (3/4")	1	1
3	7930354	Screw (8-32 x 3/8")	25	1
4	1006981	Spring	1	1
5	1016346	Tube End Cap	1	1
6	44200X059	Footplate, Aluminum	1	1

# PIVOT SLIDE TUBE WITH FOOTPLATE

(16" - 22" Wide Chairs)

☛1028905 Right or ☛1028906 Left

Used with the following Support Assemblies on:	
93E	Chrome
H93E	Chrome
93M	Chrome
H93M	Chrome



Item Number	Part Number	Description	Quantity Per	
			Package	Assembly
1	7500084	Pivot Slide Tube	1	1
2	1027097	Plug Button (3/4")	1	2
3	☛ 1044213	Footplate, Rubber Edged	1 pair	1
	1043659	-Right	1	
	1043660	-Left	1	
4	7930354	Screw (8-32 x 3/8")	25	1
5	1006981	Spring	1	2

☛ Front riggings built before 12/93 had footplates with a flat black finish, after 11/93 the finish is "wrinkle black". For front riggings built before 12/93 order the footplates or pivot slide tube with footplate in pairs, if necessary.

# PIVOT SLIDE TUBE WITH FOOTPLATE

(16" - 17" Wide Chairs)

1028391 Right or 1028392 Left

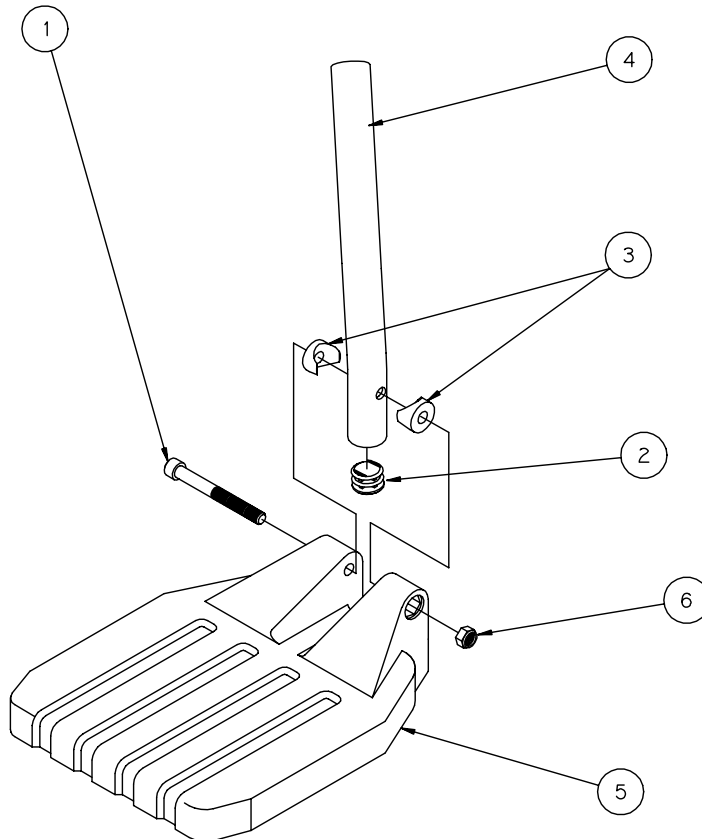
(18" - 19" Wide Chairs)

1028387 Right or 1028388 Left

(20" - 22" Wide Chairs)

1028383 Right or 1028384 Left

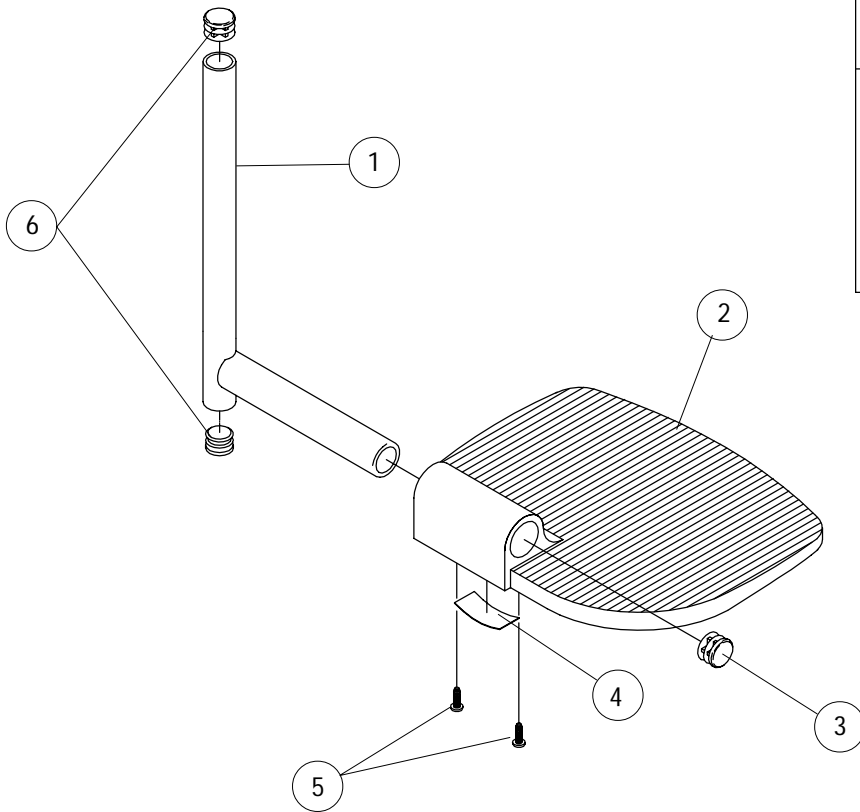
<b>Used with the following Support Assemblies on:</b>	
93ST	Chrome
93ST	Black
93ST	Color



Item Number	Part Number	Description	Quantity Per	
			Package	Assembly
1	7930366	Screw, Socket Head (1/4-20 x 2-1/4")	25	1
2	1027097	Plug Button (3/4") - Black	1	1
3	1025457	Spacer, Coved (3/4")	1	1
4	1026786	Pivot Slide Tube	1	1
5	1026879	Footplate, Composite -16"-17" Wide	1	1
	1026880	-18"-19" Wide		
	1026881	-20"-22" Wide		
6	7930323	Locknut (1/4-20)	25	1

# PIVOT SLIDE TUBE WITH FOOTPLATE

(For 14" to 15" Chairs)  
 1031928 Right or 1031929 Left  
 (For 16" to 24" Chairs)  
 1031924 Right or 1031925 Left



Used with the following Support Assemblies of:	
93	Chrome
93	Black
93	Color
93E	Chrome
93E	Black
93E	Color

Item Number	Part Number	Description	Quantity Per	
			Package	Assembly
1	1041527	Pivot Slide Tube with Plug Buttons	1	1
2		Footplate, Aluminum	1	1
	1002343	-Right (14-15" Wide)		
	1002344	- Left (14-15" Wide)		
	44200X025	-Right (16-24" Wide)		
	44200X026	- Left (16-24" Wide)		
3	1027095	Plug Button (7/8") - Black	1	1
4	1036123	Spring	1	1
5	1025729	Screw, Pan Head (8-32 x 3/8")	1	2
6	1027097	Plug Button (3/4") - Black	1	1

# PIVOT SLIDE TUBE WITH FOOTPLATE

(14" - 15" Wide Chairs)

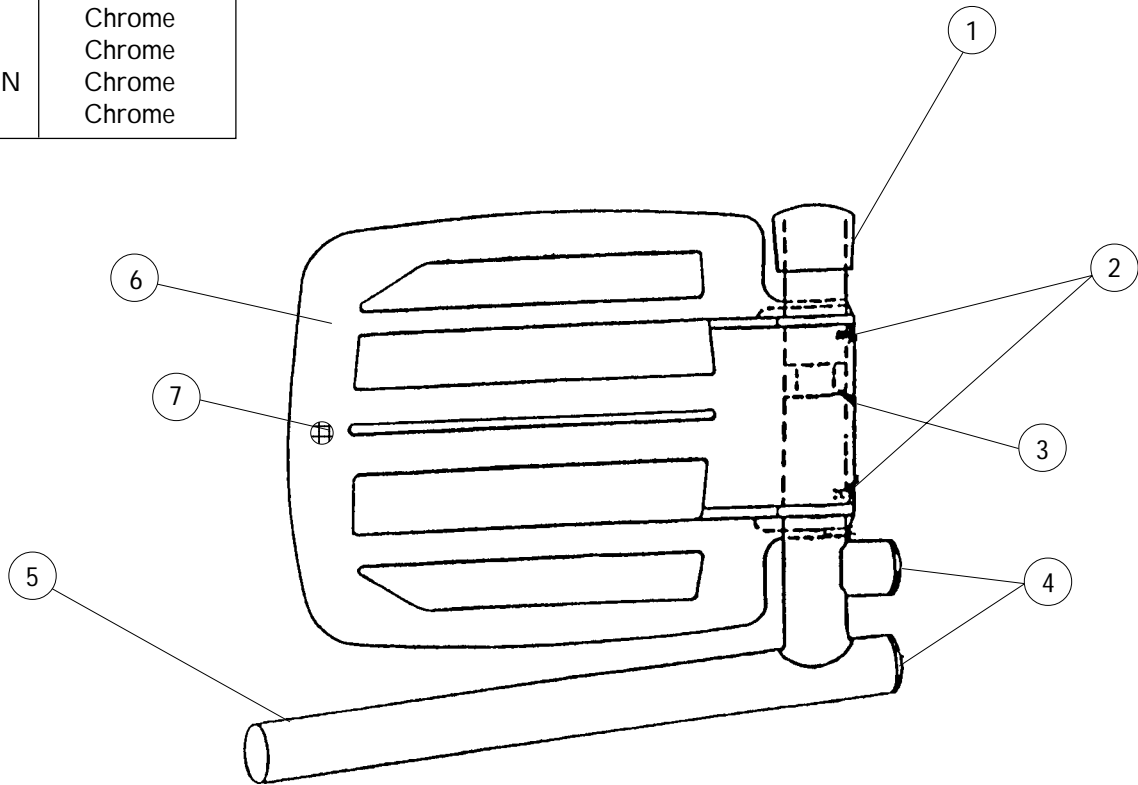
1020234 Right or 1020235 Left

(16" - 22" Wide Chairs)

1017237 Right or 1017238 Left

Used with the following  
Support Assemblies on:

904	Chrome
904SN	Chrome
H904 SN	Chrome
H904	Chrome

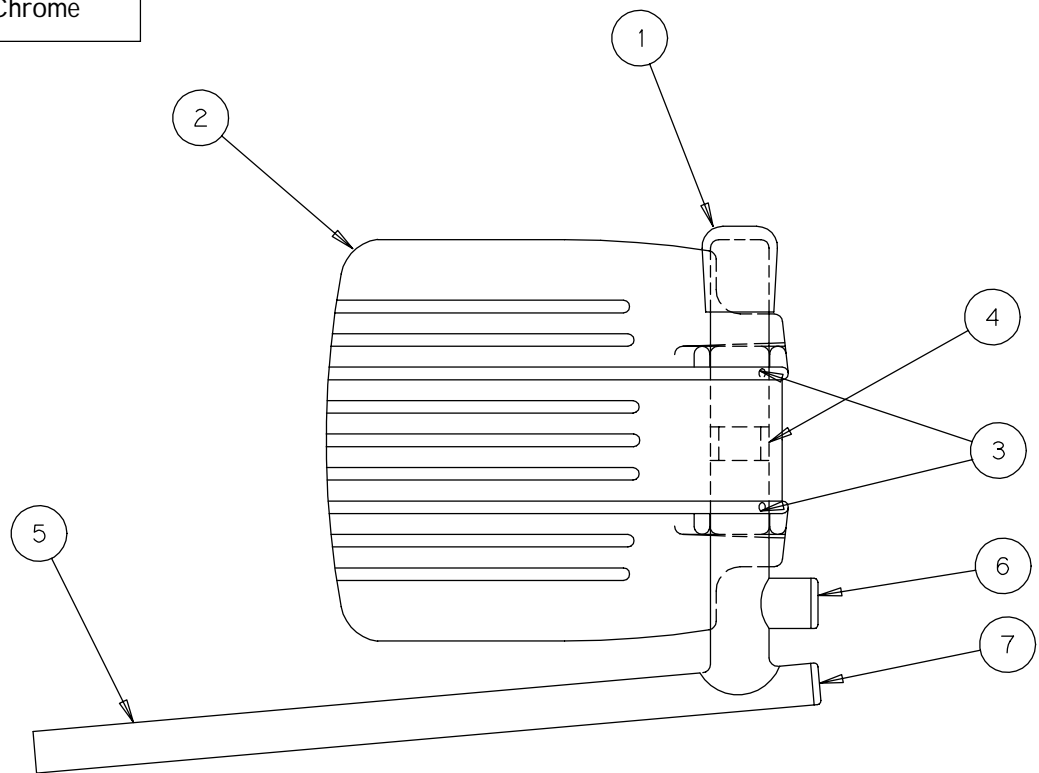


Item Number	Part Number	Description	Quantity Per	
			Package	Assembly
1	1016346	Tube End Cap	1	1
2	7930354	Screw (8-32 x 3/8")	25	2
3	1006981	Spring	1	1
4	1027097	Plug Button (3/4")	1	1
5	7500085	Pivot Slide Tube	1	1
6	44200X059	Footplate, Aluminum -14"-15" Wide	1	1
	44200X027	-16"-22" Wide		
7	1070168	Push Plug, Footplate	1	1

# PIVOT SLIDE TUBE WITH FOOTPLATE

(14" - 15" Wide Chairs)  
1023905 Right or 1023906 Left

<b>Used with the following Support Assemblies on:</b>		
AS4	SN	Chrome
AHS4	SN	Chrome

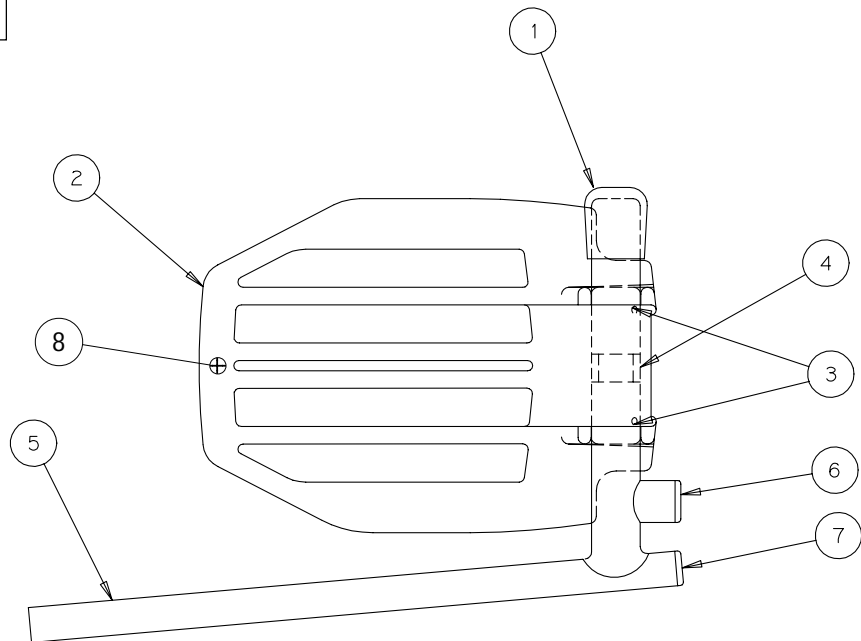


Item Number	Part Number	Description	Quantity Per	
			Package	Assembly
1	1016346	Tube End Cap	1	1
2	44200X059	Footplate, Aluminum	1	1
3	7930354	Screw (8-32 x 3/8")	25	2
4	1006981	Spring	1	1
5	1041526	Pivot Slide Tube	1	1
6	1027097	Plug Button (3/4")	1	1
7	1018133	Plug Button (5/8")	1	1

# PIVOT SLIDE TUBE WITH FOOTPLATE

(16" - 22" Wide Chairs)  
1023907 Right or 1023908 Left

<b>Used with the following Support Assemblies on:</b>	
AL4	Chrome
AHL4	Chrome



Item Number	Part Number	Description	Quantity Per	
			Package	Assembly
1	1016346	Tube End Cap	1	1
2	44200X027	Footplate, Aluminum	1	1
3	7930354	Screw (8-32 x 3/8")	25	2
4	1006981	Spring	1	1
5	1041526	Pivot Slide Tube	1	1
6	1027097	Plug Button (3/4")	1	1
7	1018133	Plug Button (5/8")	1	1
8	1070168	Push Plug, Footplate	1	1

# PIVOT SLIDE TUBE WITH FOOTPLATE

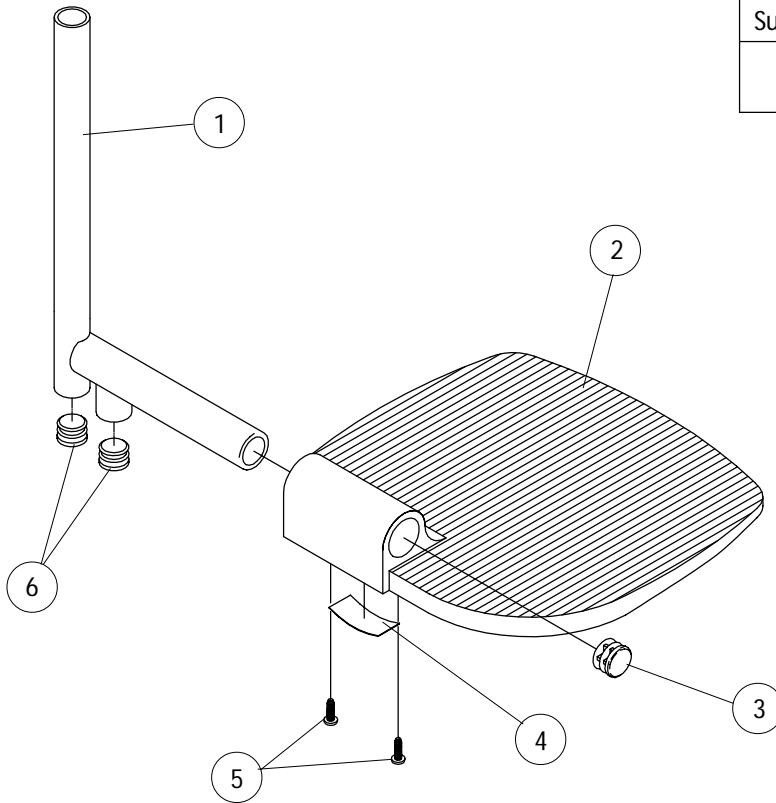
(For 14" to 15" Chairs)

1031932 Right or 1031933 Left

(For 16" to 24" Chairs)

1031934 Right or 1031935 Left

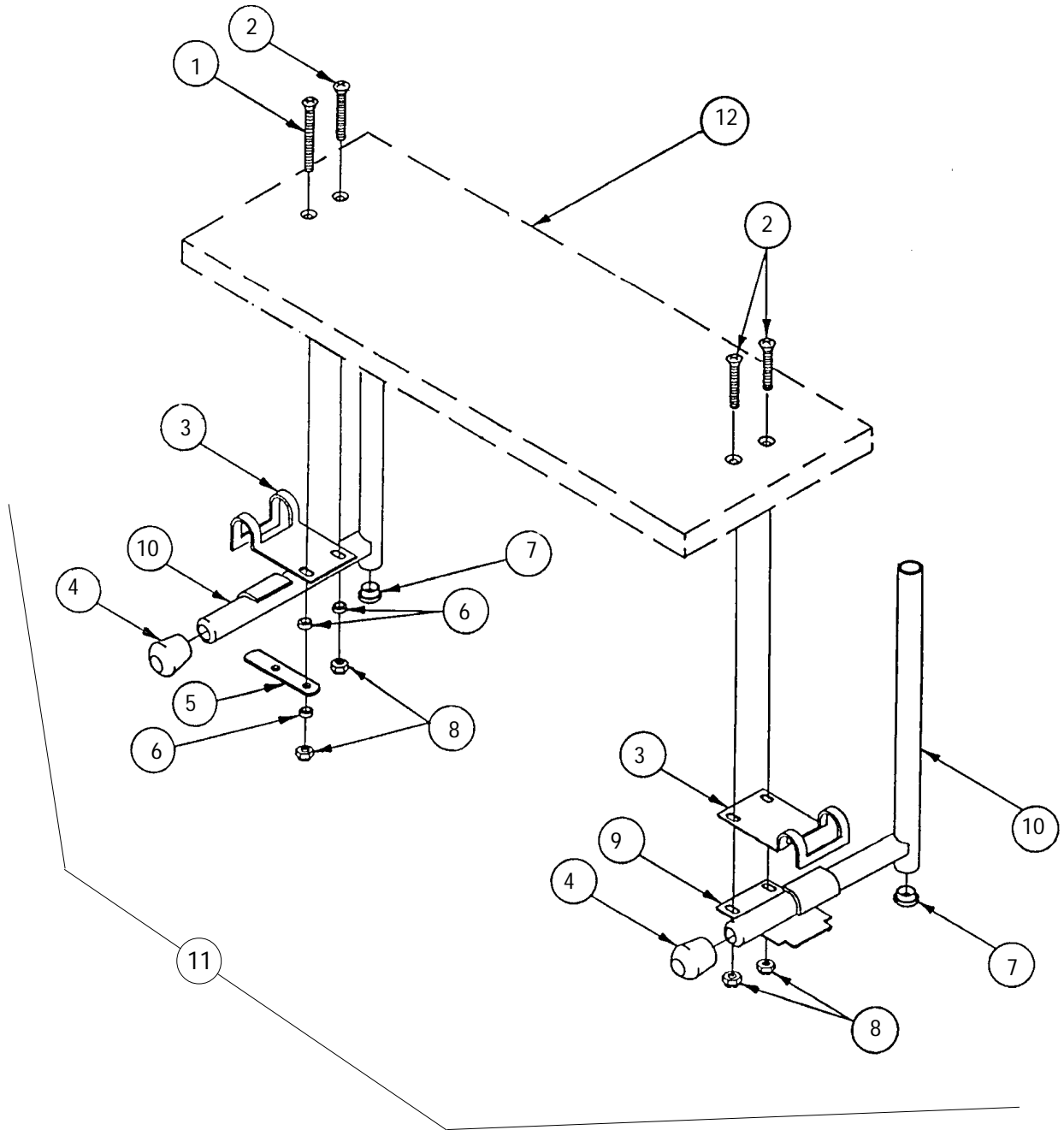
Used with the following Support Assemblies of:
94



Item Number	Part Number	Description	Quantity Per	
			Package	Assembly
1	7500005	Pivot Slide Tube with Plug Buttons	1	1
2		Footplate, Aluminum	1	1
	1002343	-Right (14-15" Wide)		
	1002344	- Left (14-15" Wide)		
	44200X025	-Right (16-24" Wide)		
	44200X026	- Left (16-24" Wide)		
3	1027095	Plug Button (7/8") - Black	1	1
4	1036123	Spring	1	1
5	7930354	Screw, Pan Head (8-32 x 3/8")	25	2
6	1027097	Plug Button (3/4") - Black	1	1



# ONE PIECE WOODEN FOOTBOARD



# ONE PIECE WOODEN FOOTBOARD (continued)

Item Number	Part Number	Description	Package Quantity
1	18860X005	Screw, Oval Head, (10-32 x 1-1/2")	1
2	11008X002	Screw, Oval Head, (10-32 x 1-1/4")	1
3	47352X004	Clamp, Legrest	1
4	1016346	Cap, Tube End, Black (7/8")	1
5	47559X030	Brake Link	1
6	16347X000	Washer, Nylon, (3/16 x 7/16 x 1/8")	1
7	1027097	Plug Button, Black, (3/4")	1
8	7930365	Locknut, (10-32)	25
9	47352X003	Pad Plate Lock	1
10		Pivot Slide Tube	1
	04470X050	-Right	
	04470X051	-Left	
11	★ 1032013	Wooden Footboard Hardware	

★ Includes items 1-10.

#12 One Piece Wooden Footboard				
With Heel Loop Holes Part Number	Without Heel Loop Holes Part Number	Chair Width	Footboard Width	Footboard Depth
1034245	48247X003	14"	11 - 5/8"	6"
1034246	1031910	15"	12 - 1/2"	6"
1034247	48247X001	16"	13 - 3/4"	6"
1034248	1031911	17"	14 - 1/2"	6"
1034249	48247X000	18"	15 - 9/16"	6"
1034250	1031912	19"	16 - 1/2"	6"
1034251	1031913	20"	17 - 1/2"	6"
1034252	1031914	21"	18 - 1/2"	6"
1034253	1031915	22"	19 - 1/2"	6"
1034254	1031916	23"	20 - 1/2"	6"
1034255	1031917	24"	21 - 1/2"	6"

NOT SHOWN		Heel Loop Hardware Packages	
(All hardware is included to attach the heel loops to the wooden footboard.)			
1033904	1033905		
Used on 15" Wide Chairs and Below	Used on 16" Wide Chairs and Up		
Package Consists of:	Package Consists of:		
2 ea Heel loop	2 ea Heel Loop		
4 ea Screw, (1/4-20 x 3")	4 ea Screw, (1/4-20 x 3")		
4 ea Spacer	4 ea Spacer		
4 ea Locknut, (1/4-20)	4 ea Locknut, (1/4-20)		

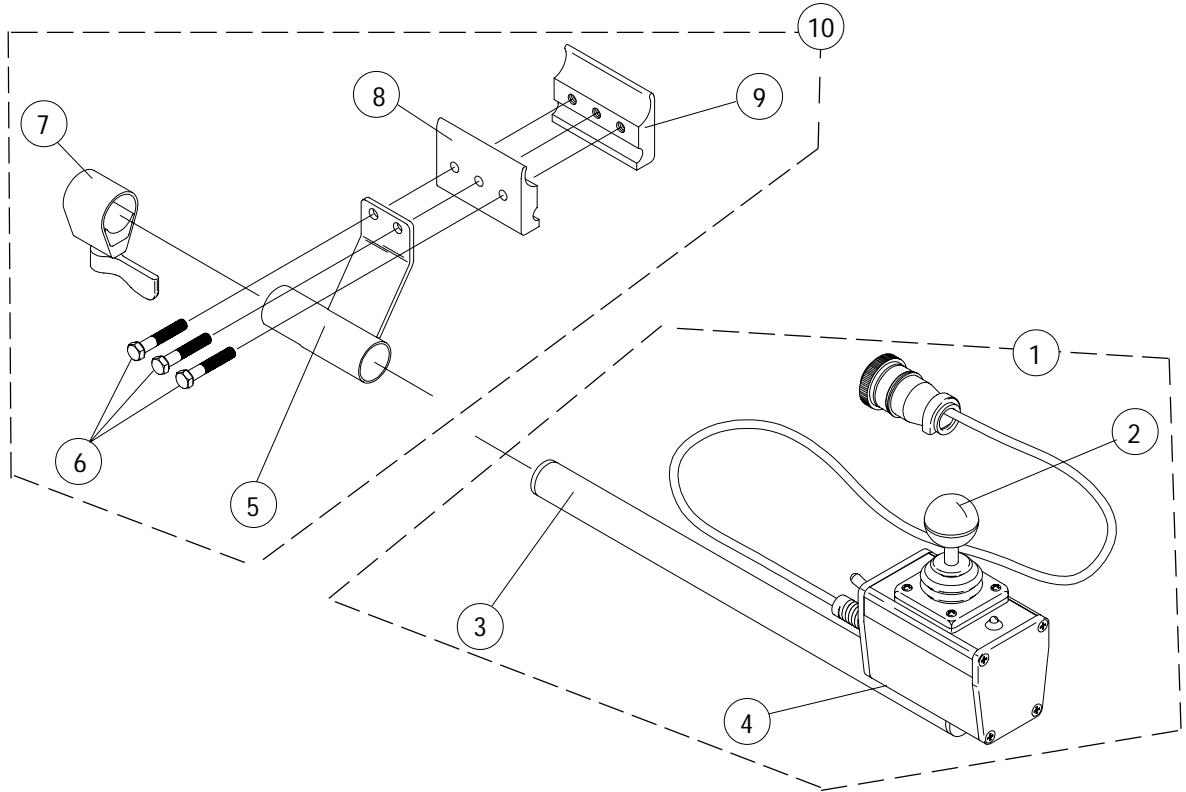
# ELECTRONICS

## TABLE OF CONTENTS

	<b>Page <u>Number</u></b>
Controller, MCCX .....	77
Joystick, MCCX .....	76
Joystick/Controller, MCC RII .....	78
Joystick and Controller, MKIV RII .....	86
Joystick and Controller Attaching Hardware, MKIV RII .....	84
Joystick/Controller, MKIV INT. ....	88
Joystick Extensions .....	84
MCCX Switch Option Interface .....	79
Mid-Line Swing Bracket .....	81
Quad Link Assembly .....	82
Reset Switch .....	79
Swivel Joystick Hardware .....	80
Tash and Therafin Accessories .....	89

# MCCX JOYSTICK

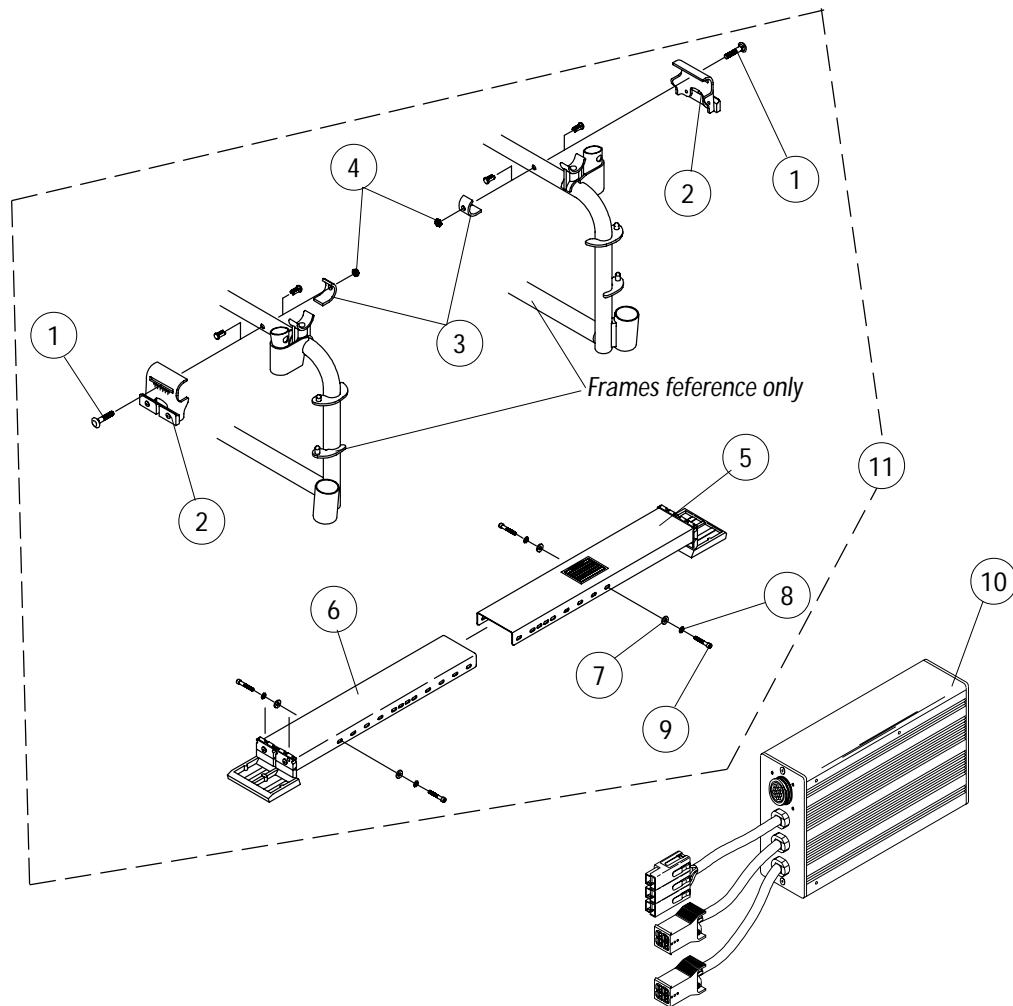
## Before 8/14/95



Item Number	Part Number	Description	Quantity Per	
			Package	Assembly
1	1027409	Joystick with Tube (Includes Items 2 and 3)	1	1
2	1032696	Inductive Joystick	1	1
	1006191	-Knob with Tolerance Ring (3/16 x 5/8")	1	1
	50000X364	-Boot	1	1
	1028079	-Screw, Phillips Head (4 x 5/8")	1	4
3	1027422	Joystick Tube	1	1
4	1028529	Screw, Phillips Head (8-32 x 3/8")	1	1
5	1027252	Joystick Mounting Bracket	1	1
6	7930349	Screw, Hex Head (1/4-20 x 1-1/8")	25	3
7	1027274	Adjustment Lock	1	1
8	1027266	Half Clamp, Un-Threaded Holes	1	1
9	1027267	Half Clamp, Threaded Holes	1	1
10	1031694	Joystick Hardware -(Includes Items 5-9)	1	1

# MCCX CONTROLLER

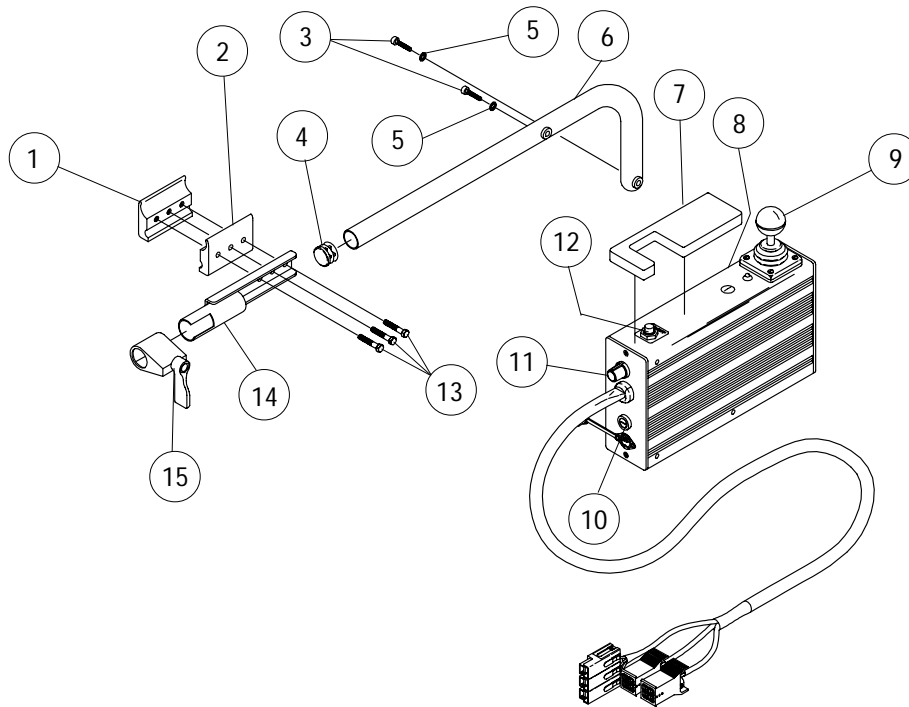
## Before 8/14/95



Item Number	Part Number	Description	Quantity Per	
			Package	Assembly
1	1030950	Carriage Bolt (1/4"-20 x 1-1/2")	1	2
2	1038350	Bracket	1	2
3	1031776	Bracket, Back Up	1	2
4	7930316	Nut, Hex Flange (1/4"-20)	25	2
5	1038351	Controller Bracket (Outer)	1	1
6	1038352	Controller Bracket (Inner)	1	1
7	1028516	Washer (3/16 x 7/16 x 1/16")	1	4
8	1034153	Lock Washer, Internal Tooth (#8)	1	4
9	1024338	Screw, Socket Head Cap (8-32 x 5/8")	1	4
10	1036494	Controller MCC-X without Hardware	1	1
11	1037248	Center Mount Under Seat Controller Kit	1	1
not shown	1038024	Controller Bracket Instruction Sheet	1	1

# MCC RII JOYSTICK/CONTROLLER

## Before 8/14/95

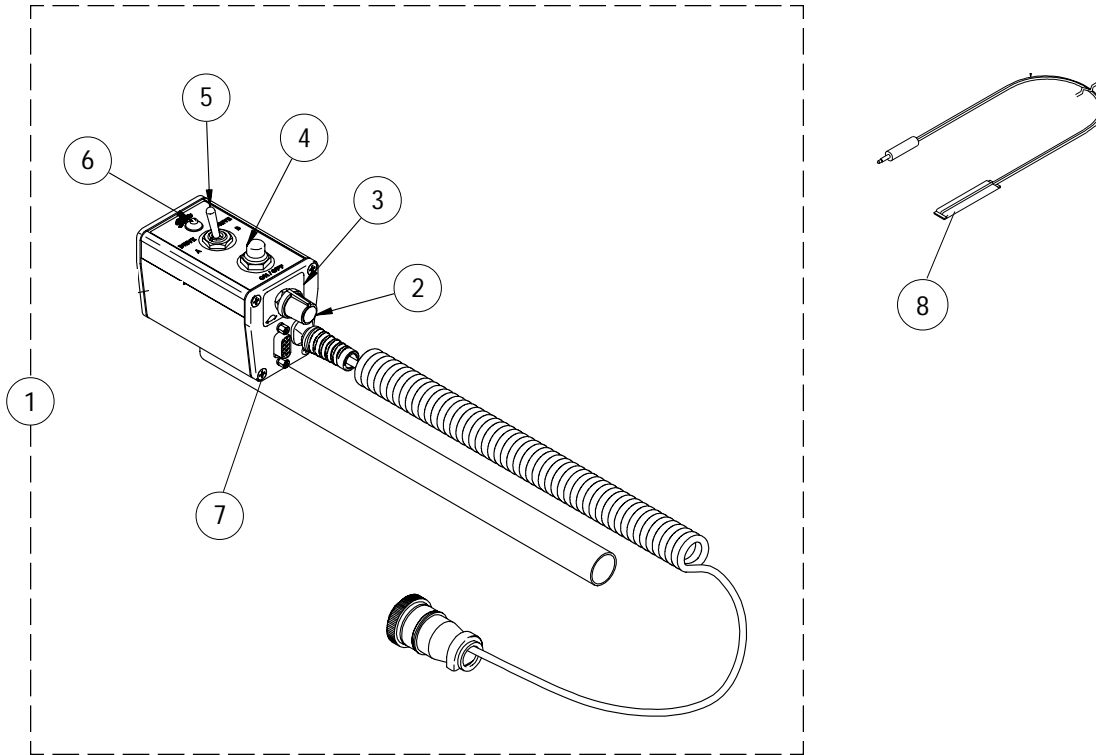


Item Number	Part Number	Description	Quantity Per	
			Package	Assembly
1	1027267	Half Clamp, Threaded Holes	1	1
2	1027266	Half Clamp, Un-Threaded Holes	1	1
3	1009837	Screw, Socket Button Head (1/4-20 x 1")	1	2
4	1027095	Plug Button (7/8")	1	1
5	1034153	Lock Washer (1/8 x 3/4 x 1/16")	1	2
6	1037177	Controller Bracket - Universal -(Includes Items 3-5)	1	1
7	1038787	Foam Pad	1	1
8	*1027390NLA	Joystick/Controller w/o Hdwr. (Repair Only)	1	1
9	1032696	Joystick, Inductive	1	1
	1006191	-Knob	1	1
	50000X364	-Boot	1	1
	1028079	-Screw, Phillips Head (4 x 5/8")	1	4
10	1005891	Plug Button, Switch Hole	1	1
11	1025516	Speed Control Knob	1	1
	1025517	10K Speed Pot	1	1
12	1010048	Switch	1	1
	1010049	-Switch Boot	1	1
	1011701	-On/Off Switch Label	1	1
13	7930349	Screw Hex Head (1/4-20 x 1-1/8")	25	3
14	1035414	Controller Bracket Tube	1	1
15	1027274	Adjustment Lock	1	1
not shown	05501X053	Connector Boot/ Rain Cover	1	1

\* MKIV RII joystick and controller used after 8/13/95 can be used in place of joystick/controller part number 1027390. New MKIV joystick mounting hardware on page 84 and controller mounting hardware on page 86 must be ordered as well.

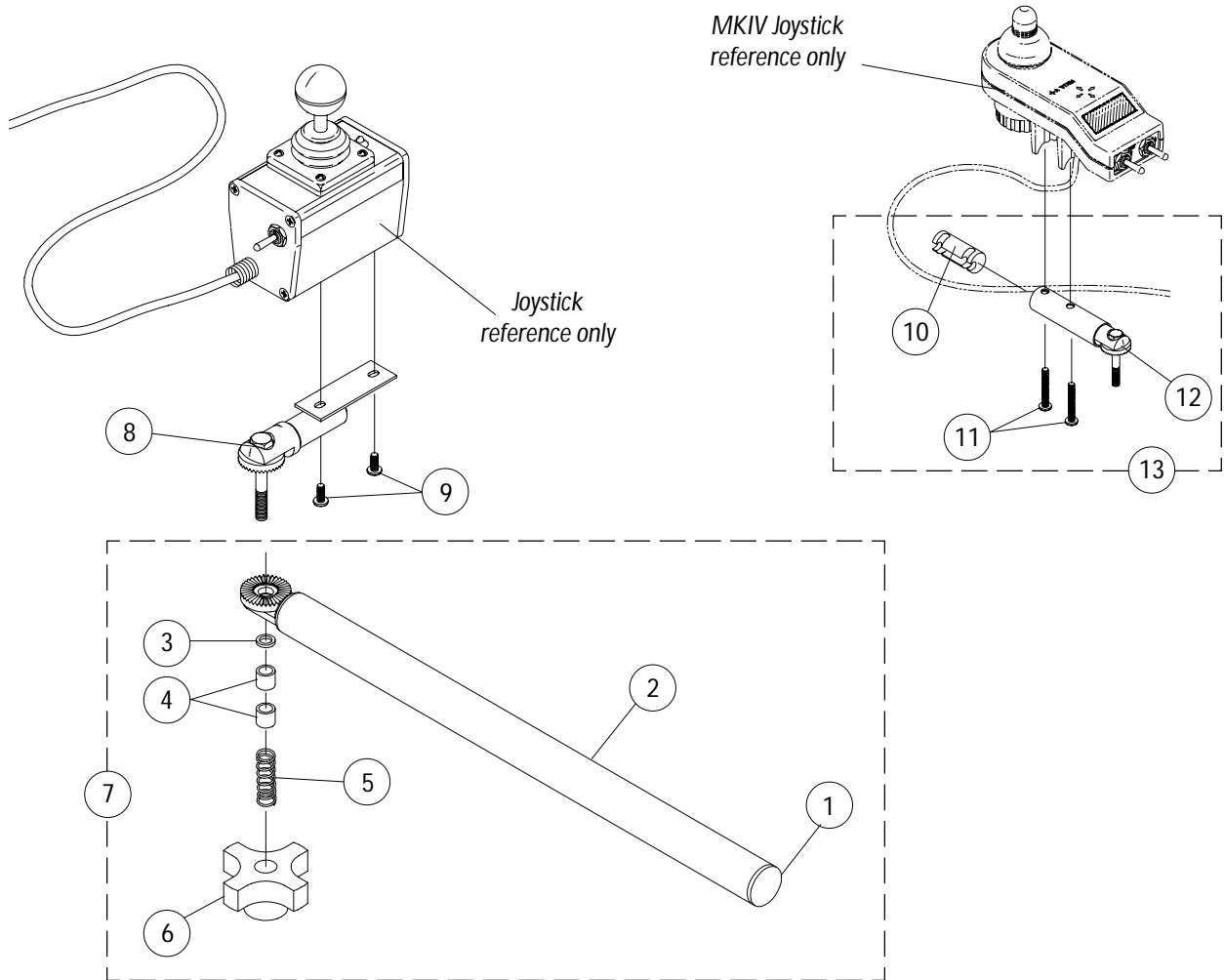
# MCCX SWITCH OPTION INTERFACE

## Before 8/14/95



Item Number	Part Number	Description	Quantity Per	
			Package	Assembly
1	1036493	Switch Option with Instructions	1	1
2	1025516	Control Knob	1	1
3	1028083	Speed Pot Decal	1	1
4	1010048	Switch	1	1
	1010049	Switch Boot	1	1
5	1028664	Toggle Switch with Nut	1	1
6	1011719	Tri-Colored LED Light	1	1
	<del>1011699</del> NLA	-with wires -without wires		
7	1028529	Screw, Pan Head (8-32 x 3/8")	1	8
8	1020818	Reset Switch	1	1

# SWIVEL JOYSTICK HARDWARE

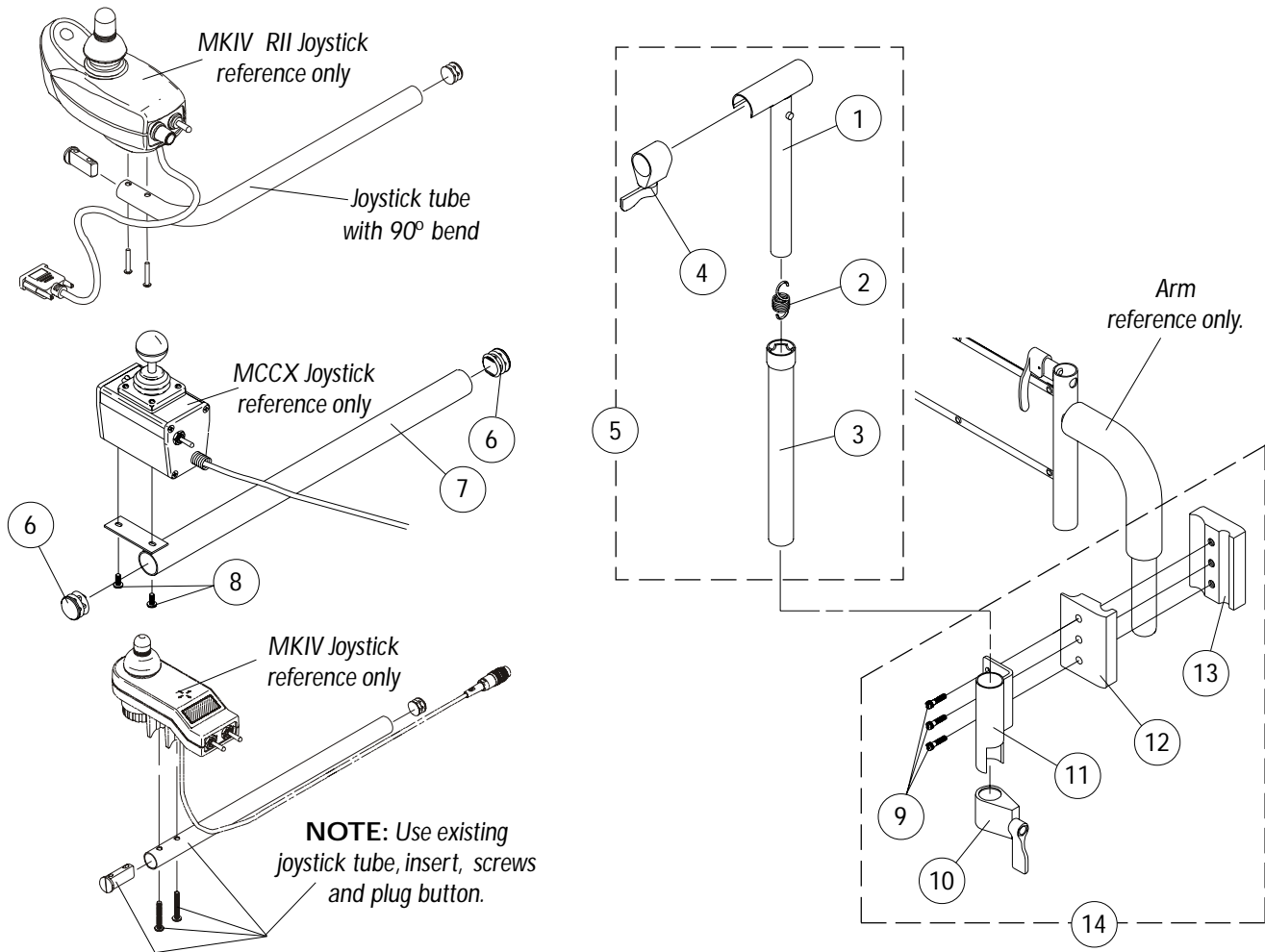


Item Number	Part Number	Description	Quantity Per	
			Package	Assembly
1	1027095	Plug Button (7/8")	1	1
2	1035990	Swivel Joystick Tube	1	1
3	1020551	Washer, Flat (1/4 x 3/8 x 1/16")	1	1
4	1005844	Bushing (9/32 x 3/8 x 11/32")	1	2
5	1002511	Spring, Hitch Bracket	1	1
6	1023670	Clamping Knob	1	1
7	1035986	Swivel Joystick Hardware Assembly (Includes Items 1-6)	1	1
8	1035993	Swivel Joystick Bracket	1	1
9	1028529	Screw, Phillip Head, (8-32 x 3/8")	1	2
10	1093063	Spacer, Joystick Tube	1	1
11	7930327	Screw, Phillips Head (10-32 x 1-1/8")	25	2
12	1049962	Swivel Joystick Bracket, MKIV	1	1
13	1049963	Swivel Joystick Bracket with Hardware (Includes Items 10-12)	1	1



# MID-LINE SWING BRACKET ASSEMBLY Update 12/01A

**NOTE:** Joystick tube with 90 degree bend replaces the standard tube when a RII joystick (part # 1092610) is used.  
Joystick Tube with 90 degree bend must be ordered as a special when a replacement is needed.

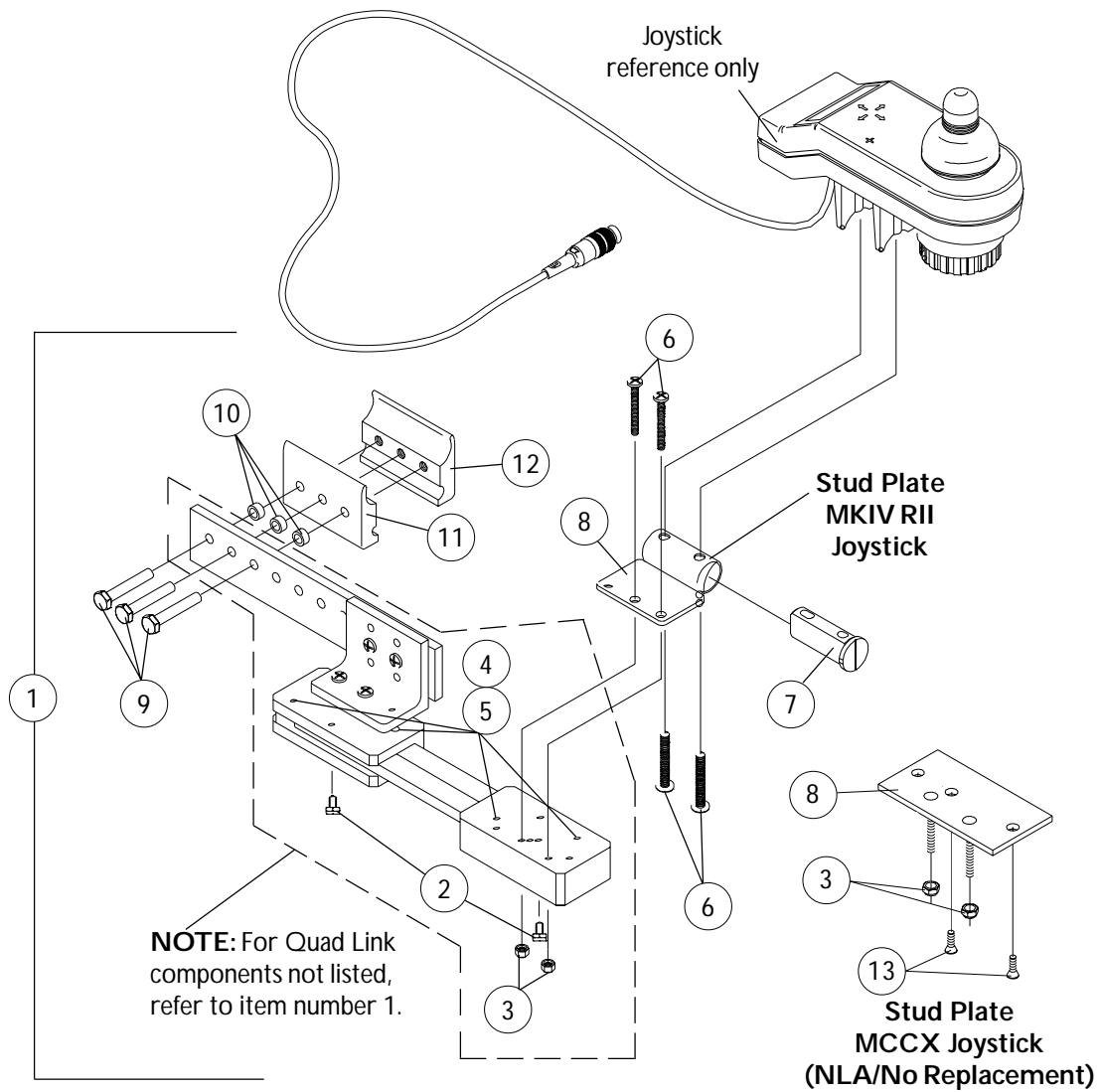


Item Number	Part Number	Description	Quantity Per	
			Package	Assembly
1	1035528	Adjustment Tube (Inside), Mid-Line	1	1
2	1016778	Spring	1	1
3	1035860	Adjustment Tube (Outside), Mid-Line	1	1
4	1027274	Adjustment Lock	1	1
5	1035852	Midline Swing Bracket Assembly (Includes Items 1-4)	1	1
6	1027095	Plug Button, Black (7/8")	1	2
7	★ 1035855	Joystick Mounting Tube	1	1
8	1028529	Screw, Phillips Head (10-32 x 3/8")	1	2
9	7930349	Screw, Hex Head Cap (1/4-20 x 1-1/8")	25	3
10	1027274	Adjustment Lock	1	1
11	1049582	Mounting Bracket, Joystick	1	1
12	1027266	Half Clamp, Unthreaded Holes	1	1
13	1027267	Half Clamp, Threaded Holes	1	1
14	1049591	Attaching Hardware, Mid-Line (Includes Items 9-13)	1	1

★ Left side is not a stock item and must be ordered as a special.

# QUAD LINK ASSEMBLY

Update 11/30/03

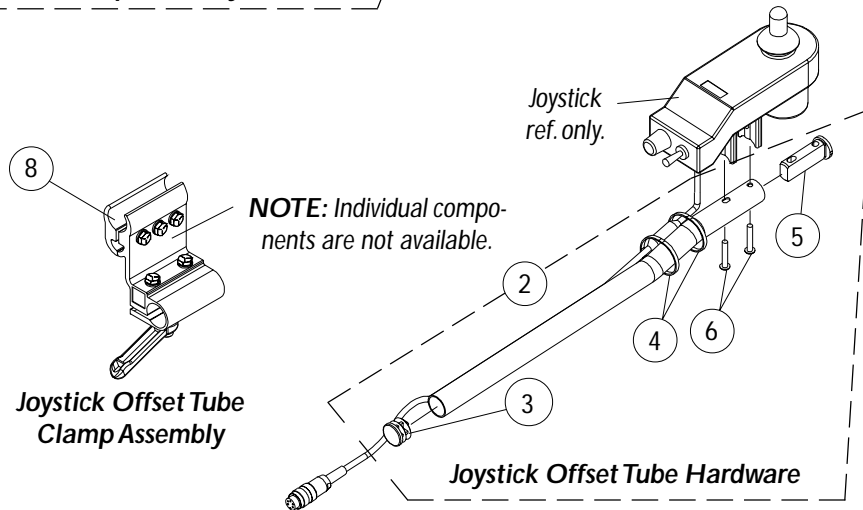
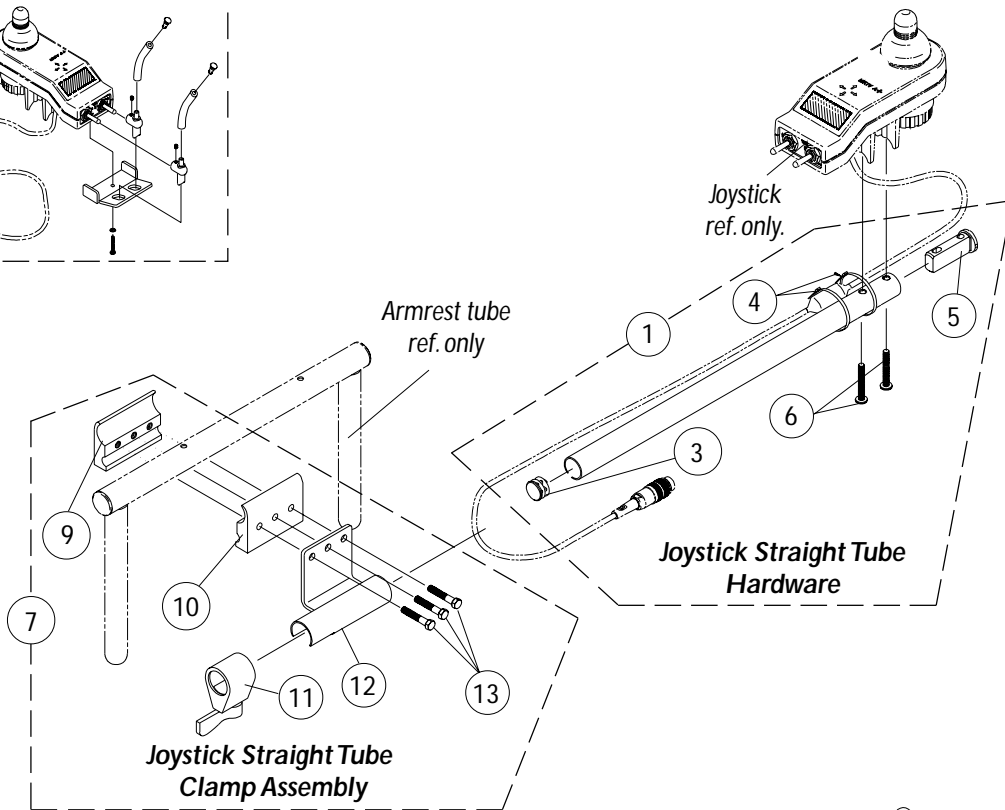
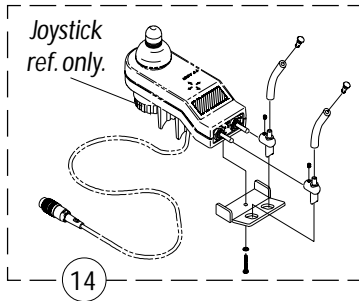


# QUAD LINK ASSEMBLY

Update 11/30/03

Item Number	Part Number	Description	Quantity Per	
			Package	Assembly
1		Quad Link Assembly		
	1052402	MKIV RII Joystick, Right (Includes Items 2-12)	1	1
	1115372	MKIV RII Joystick, Left (Includes Items 2-12)	1	1
	<del>1077298</del> <b>NLA</b>	MCCX Joystick (Includes Items 2-13)	1	1
2	1114863	Kit, Ball Plunger Asbly. w/ Lock Washers (Pair)	2	1
3	7930332	Locknut (#10-32)	25	2
4	0067006	Screw, Socket Head (#10-32 x 1/2")	1	4
5	0007400	Bushing, Bronze (3/16 x 1/4 x 1/4")	1	4
6	7930327	Screw, Phillips Head (10-32 x 1-1/8")	25	4
7	1093063	Spacer, Tube	1	1
8		Stud Plate, Quad Link		
	1052401	MKIV RII Joystick	1	1
	<del>0027402</del> <b>NLA</b>	MCCX Joystick	1	1
9	7930304	Screw, Socket Head (1/4-20 x 1-1/4")	25	3
10	1047449	Spacer (1/4 x 3/8 x 3/16")	1	3
11	1027266	Half Clamp, Non-Threaded Holes	1	1
12	1027267	Half Clamp, Threaded Holes	1	1
13	1055740	Screw, Socket Head (8-32 x 1/2")	1	2

# MKIV JOYSTICK MOUNTING HARDWARE and JOYSTICK ACCESSORIES



**NOTE:** Joystick offset tube hardware or offset tube clamp assembly is not interchangeable with a joystick straight tube hardware and straight tube clamp assembly.

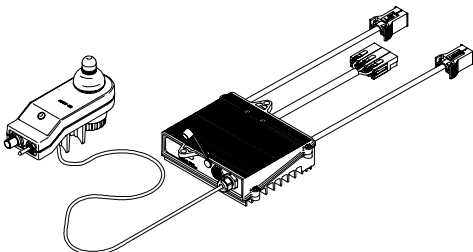
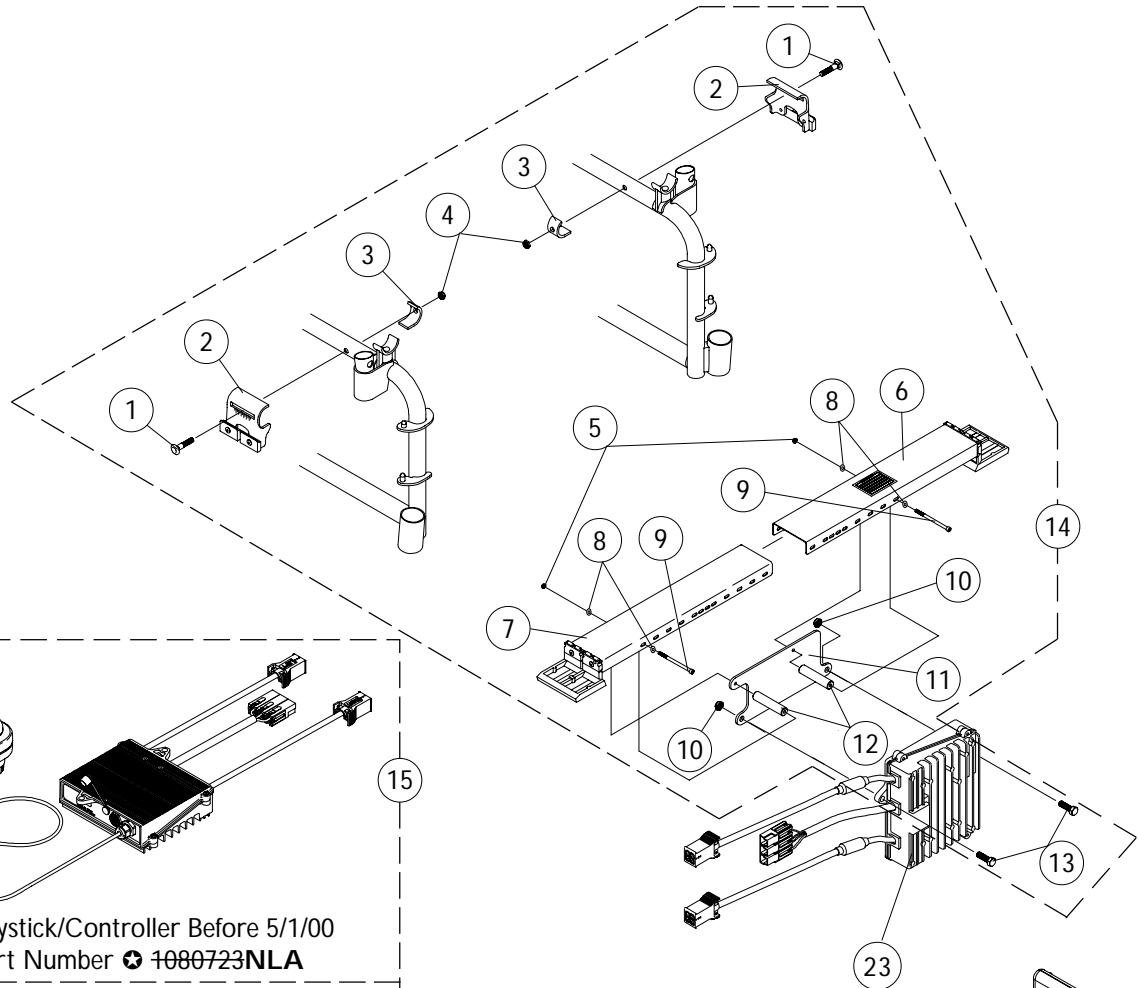
## MKIV JOYSTICK MOUNTING HARDWARE and JOYSTICK ACCESSORIES

Item Number	Part Number	Description	Quantity Per	
			Package	Assembly
1	1043568	Joystick Straight Tube with Hardware (Before 10/4/00) (Includes Items 3, 4, 5 and 6)	1	1
2	* 1093069	Joystick Offset Tube with Hardware (After 10/3/00) (Includes Items 3, 4, 5 and 6)	1	1
3	1027095	Plug Button (7/8")	1	1
4	1095502	Cable Tie (11-1/2" Long) (Package Quantity of 10)	10	2
5	1093063	Spacer, Joystick Tube		
6	7930327	Screw, Phillips Pan Head (10-32 x 1-1/8")	25	2
7	1049591	Clamp Asbly., Joystick Straight Tube (Before 10/4/00) (Includes Items 10-14)	1	1
8	* 1093071	Clamp Assembly, Joystick Offset Tube (After 10/3/00)	1	1
9	1027267	Half Clamp - Threaded Holes	1	1
10	1027266	Half Clamp - Unthreaded Holes	1	1
11	1027274	Lock, Adjustment	1	1
12	1049582	Bracket, Joystick Mounting	1	1
13	7930349	Screw, Hex Head Cap (1/4-20 x 1-1/8")	25	3
14	1055736	Toggle Switch Extension Kit	1	1
not shown	1006270	T-Handle Joystick Extension (4" W x 5-1/2" L)	1	1
not shown	1006271	Straight Handle Joystick Extension (1/2" W x 5"L)	1	1

\* Joystick straight tube hardware and straight tube clamp assembly changed to an offset tube hardware and offset tube clamp assembly. The two joystick tube hardwares and clamp assemblies are not interchangeable with one another.

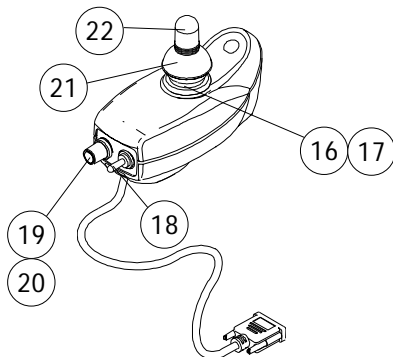
# MKIV RII JOYSTICK, CONTROLLER

## After 8/13/95



RII Joystick/Controller Before 5/1/00  
Part Number 1080723NLA

Service part # (1080723) obsoleted 5/1/00, the following must be ordered as replacements:  
 RII Joystick part # (1092610)  
 RII Retro Controller part # (1095269)  
 Remote Programmer part # (1109091)



RII Joystick After 4/30/00  
Part Number 1092610

# MKIV RII JOYSTICK, CONTROLLER (continued) Update 02/03A

## After 8/13/95

Item Number	Part Number	Description	Quantity Per	
			Package	Assembly
1	1030950	Carriage Bolt (1/4"-20)	1	2
2	1038350	Bracket Assembly	1	2
3	1031776	Bracket, Back-Up	1	2
4	7930316	Nut, Hex Flange (1/4"-20)	25	2
5	1056098	Locknut (8-32)	1	2
6	1038351	Controller Bracket (Outer) w/ Latch	1	1
7	1038352	Controller Bracket (Inner) w/ Latch	1	1
8	1028516	Washer, Flat (3/16 x 7/16 x 1/16")	1	4
9	1056097	Screw, Socket Head (8-32 x 3")	1	2
10	1026158	Locknut (5/16-18)	1	2
11	1056094	Controller Mounting Plate	1	1
12	1056096	Spacer (11/64 x 1/2 x 2-1/4")	1	2
13	1039860	Screw, Hex Head (5/16-18 x 3/4")	1	1
14	1056099	Center Mount Under Seat Controller Kit (Includes Items 1-13 and Inst. Sheet)	1	2
15	☞ 1080723 NLA	Joystick/Controller (Before 5/1/00)	1	1
	1092610	Joystick (After 4/30/00)	1	1
16	1036764	Inductive, Joystick	1	1
17	50000X364	Boot, Joystick	1	1
18	1010042	Switch, Toggle SPDT	1	1
19	1040225	Potentiometer, Speed	1	1
20	1025516	Knob, Potentiometer	1	1
21	1040218	Skirt, Joystick	1	1
22	1040217	Knob, Joystick	1	1
23	⊕ 1095269	Controller, MKIV RII Retro (After 4/30/00)	1	1
24	* 1109091	Remote Programmer	1	1
not shown	1056100	Controller Mounting Kit Instruction Sheet	1	1
not shown	1064404	<u>Virtual Service Modem Kit</u>	1	1
not shown	1095204	Cable, Virtual Service Charger/Modem	1	1
not shown	1091631	<u>Virtual Service Software Kit</u>	1	1
not shown	1091980	Disk, 3.5 H.D. Floppy w/ A.V.S. Software	1	1
not shown	1091637	Adaptor, Null Modem	1	1
not shown	1091636	Service Manual, A.V.S. Software Kit	1	1
not shown	1095204	Cable, Virtual Service Charger/Modem	1	1
not shown	1046117	<u>Printer and Interface</u>	1	1
not shown	1026572	Paper, Printer	1	1
not shown	1027280	Wiring Harness, Printer	1	1

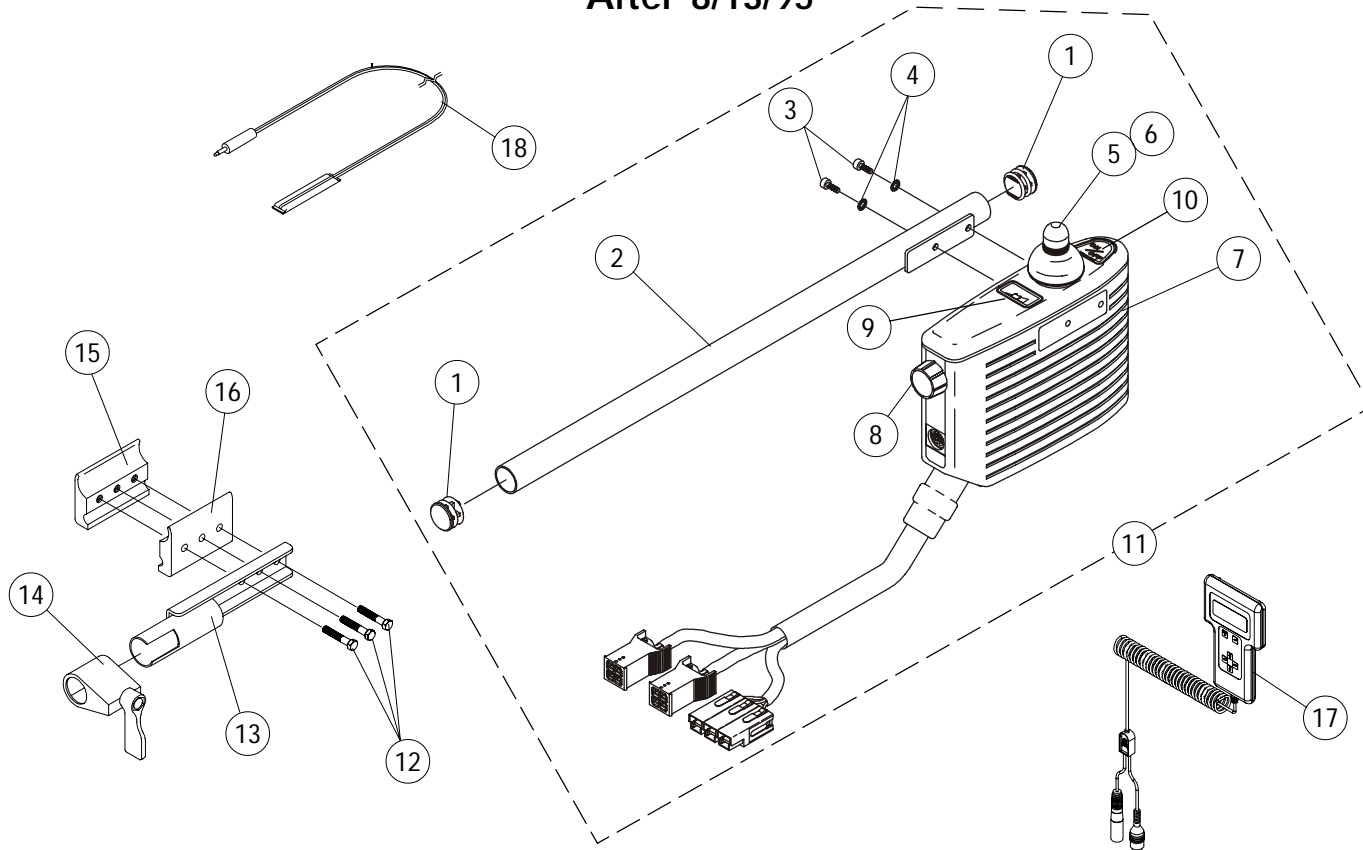
⊕ After 4/30/00 RII retro controller part # (1095269) is sold separately from the joystick.

☞ RII retro controller after 4/30/00 and new RII joystick part # (1092610) serve as direct replacements for joystick/controller part # (1080723).

\* Remote programmer part # (1109091) with the dual connectors (3-Pin and 5-Pin) is the only programmer functionable with the new RII joystick part # (1092610).

# MKIV INT. JOYSTICK/CONTROLLER

After 8/13/95

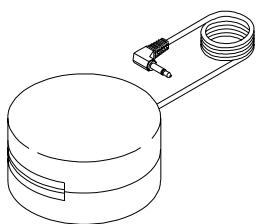


Item Number	Part Number	Description	Quantity Per	
			Package	Assembly
1	1027095	Plug Button (7/8")	1	2
2	1056086	Mounting Tube, Controller	1	1
3	1056087	Screw Socket Head (10-32 x 1/2")	1	2
4	1027263	Lockwasher, Internal Tooth	1	2
5	1040217	Knob, Joystick	1	1
6	1040218	Skirt , Joystick	1	1
7	★ 1055623	Joystick/Controller, MKIV INT.	1	1
8	1056559	Knob, Speed Control	1	1
9	GLA35137	Decal, Battery	1	1
10	GLA35136	Decal, On-Off	1	1
11	1056088	Controller with Tube	1	1
12	7930349	Screw, Hex Head (1/4-20 x 1-1/8")	25	3
13	1035414	Controller Bracket Tube	1	1
14	1027274	Adjustment Lock	1	1
15	1027267	Half Clamp, Threaded Holes	1	1
16	1027266	Half Clamp, Non-Threaded Holes	1	1
17	1109091	Remote Programmer	1	1
18	1020818	Reset Switch	1	1
not shown	1058491	Connector Boot, Wire	1	1

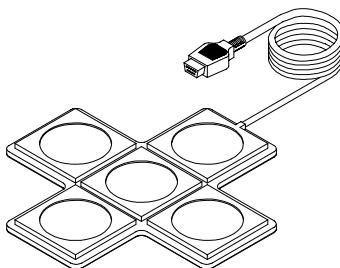
★ Includes items 5, 6, 8, 9 and 10.



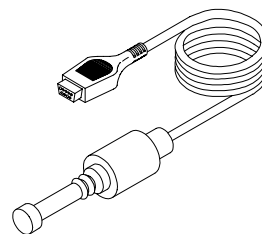
# TASH and THERAFIN ACCESSORIES



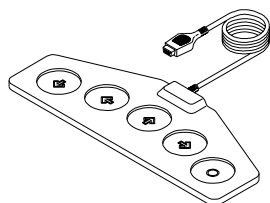
P5820 - Red Soft Switch  
P5821 - Green Soft Switch



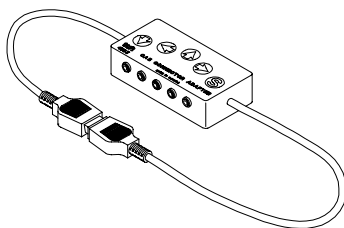
✦ P5026 - Star Control



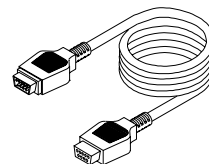
✦ P5020 - Mini Joystick with Push



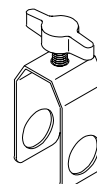
✦ P5018 - Wafer Board



P4353 - CA5 Multi-Connector Box



P4337 - Multi-Ability Cable



P5970 - "U" Clamp

✦ *Must be used with MCCX Switch Option Interface and Reset Switch. See Page 79*

## THERAFIN not shown

P32669	Bib Assembly	1
P21456	Adaptor Clamp -Tash	1
P21457	Adaptor Clamp -Invacare	1
P21458	Midline Swingaway System	1
P32666	Sip-n-Puff, 16" Fixed	1

**NOTE:** For more information on Tash products please contact one of our Rehab Specialists.

Invacare Corporation [www.invacare.com](http://www.invacare.com)

---



**Yes, you can.™**

**USA**  
One Invacare Way  
Elyria, OH USA  
44036-2125  
800-333-6900

Invacare is a registered trademark and MKIV, Power 9000, Yes, you can. are trademarks of Invacare Corporation. Otto Bock is a registered trademark of Otto Bock Orthopaedische Industrie GMBH & Co.. Bussman is a registered trademark of Cooper Industries. MIDI is a registered trademark of Littelfuse Inc.. Dynamic is a registered trademark of Dynamic Controls limited.

Information is subject to change without notification.  
©2001 Invacare Corporation Form No. 89-153A (Revised 7/01)