

Jaguar

Powered Wheelchair



Yes, you can.™

# PARTS CATALOG USAGE GUIDE

Update 8/01A

The information contained in this document is subject to change without notice. This catalog contains service parts. If you have any questions regarding model, please contact one of our Customer Service Representatives.

**For Customer Service Support Call: ..... 1-800-333-6900**  
**For Faxed in Orders Call: ..... 1-800-678-4682 or 1-440-366-0709**  
**For Technical Service Call: ..... 1-800-832-4707**  
**Literature Can Be Found at: ..... 1-800-828-6282 or [www.invacare.com](http://www.invacare.com)**

This parts catalog is set up to identify available replacement service parts.

## SYMBOL DEFINITION

Throughout this catalog you will notice symbols to draw your attention to specific footnotes which are located at the bottom of the page or below specified charts.

Examples:

\* , ⊕ , ☞ = Special Comments  
**NOTE:** = General information pertaining to that specific page  
**NLA** = No Longer Available

## HARDWARE MEASUREMENTS

The measurements for the hardware will be listed as follows:

Screws Diameter X Thread Count X Length  
Screws, Shoulder Shoulder Diameter X Shoulder Length  
Washers Inside Diameter X Outside Diameter X Thickness  
Spacers Inside Diameter X Outside Diameter X Length

## QUANTITY COLUMN

Package Quantity represents how many pieces you will receive per that part number.

Item Number	Part Number	Description	Quantity Per	
			Package	Assembly
1	1030949	Screw, Hex Head Cap (1/4-20 x 1-1/2")	1	8
2	1031665	Screw, Socket Head Shoulder (3/8 x 1-1/2")	1	4

*For your convenience, we have supplied an area for you to list your Invacare Representatives.*

<i>Sales Representative's Name</i>	<i>Phone Number</i>

**NOTE: The information contained in this document is subject to change without notice.**

©2001 Invacare Corporation. Elyria, Ohio. Invacare and Arrow are registered trademarks and Ranger X, Yes, you can. are trademarks of Invacare Corporation. Bussman is a registered trademark of Cooper Industries. Dynamic is a registered trademark of Dynamic Controls Limited.

# TABLE OF CONTENTS

	Page Number
Accessories, Miscellaneous .....	45
Arm Assembly .....	8
Back Canes .....	10
Back Upholstery .....	12
Battery Box, Cables, and Chargers .....	23
Clutch Components .....	21
Crossbraces .....	6
Electronics Table Of Contents .....	25
Frame Finishes .....	4
Frames .....	5
Front Casters .....	17
Front Forks .....	17
Front Riggings Table Of Contents .....	55
Gearboxes .....	21
Literature .....	3
Motors .....	21
Packaging .....	3
Rear Wheels .....	19
Seat Extension Kits .....	14
Seat Upholstery .....	15
Shrouds .....	23
Touch-Up Paints .....	4
Upholstery Color Options .....	3
Wheel Locks .....	20
<u>Tilt-in-Space Parts</u>	
Seat Cage Frame Parts .....	50
Tilt-in-Space Seat Cage and Bottom Frame .....	51
Armrest Assembly .....	53
CrossBraces .....	54

# PACKAGING, LITERATURE and UPHOLSTERY OPTIONS

## Upholstery Options

Part Number	Description
U240	Black Nylon
U67	Black Vinyl
U85	Dark Blue Vinyl
U60	Marina Blue Vinyl
U77	Red Vinyl
U86	Ruby Vinyl
U97	Sky Blue Vinyl
U76	Yellow Vinyl

## Packaging and Literature

Part Number	Description
<del>40131</del> X123NLA	Carton
00081X100	Owners Manual - Mechanical Operation
<del>10081</del> 113NLA	Owners Manual - Electrical Operation
1013069	Instruction Sheet - Battery Charger
<del>10104</del> 46NLA	Tool Kit

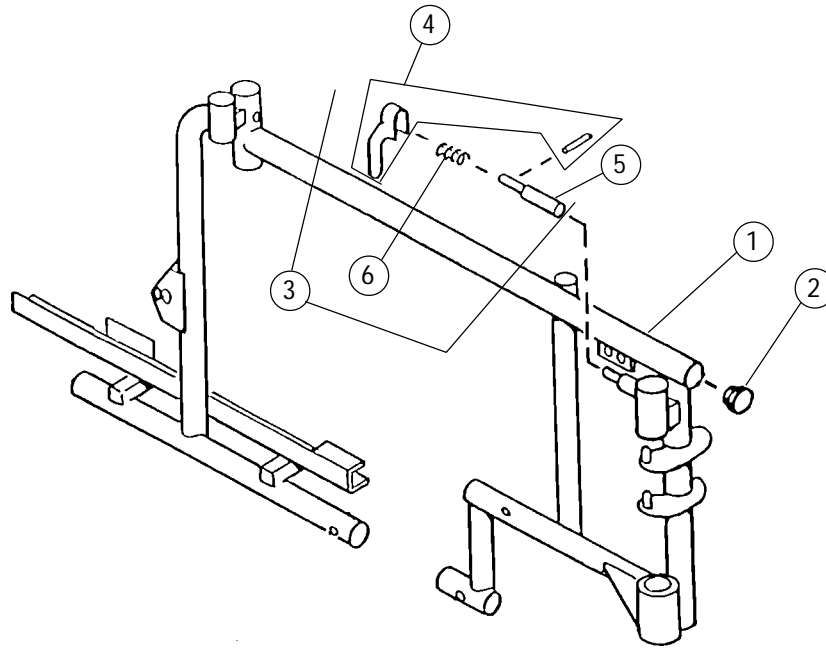
**NOTE:** When adjusting or replacing parts, please refer to your owners manual for assistance.

# FRAME FINISHES and TOUCH-UP PAINTS

## FRAME FINISHES and TOUCH-UP PAINTS

Color Number	Part Number	Bottle Size	Color
02P	1031452	.6 oz.	Pink Pearl
03P	1031449	.6 oz.	Mercury
06P	1031454	.6 oz.	Super Teal
08P	1031456	.6 oz.	Deep Purple
15P	N/A	N/A	Chrome
17P	1046319	.6 oz.	Cobalt Blue
25P	N/A	.6 oz.	Tennis Ball Yellow
30P	1031448	.6 oz.	Sunny Yellow
31P	1031453	.6 oz.	Lollipop Pink
32P	<del>1031451</del> NLA	.6 oz.	True Blue
33P	1031455	.6 oz.	Red
34P	1046327	.6 oz.	Flat Black
35P	1101296	.6 oz.	Pewter
69P	1101320	.6 oz.	Teflon Black

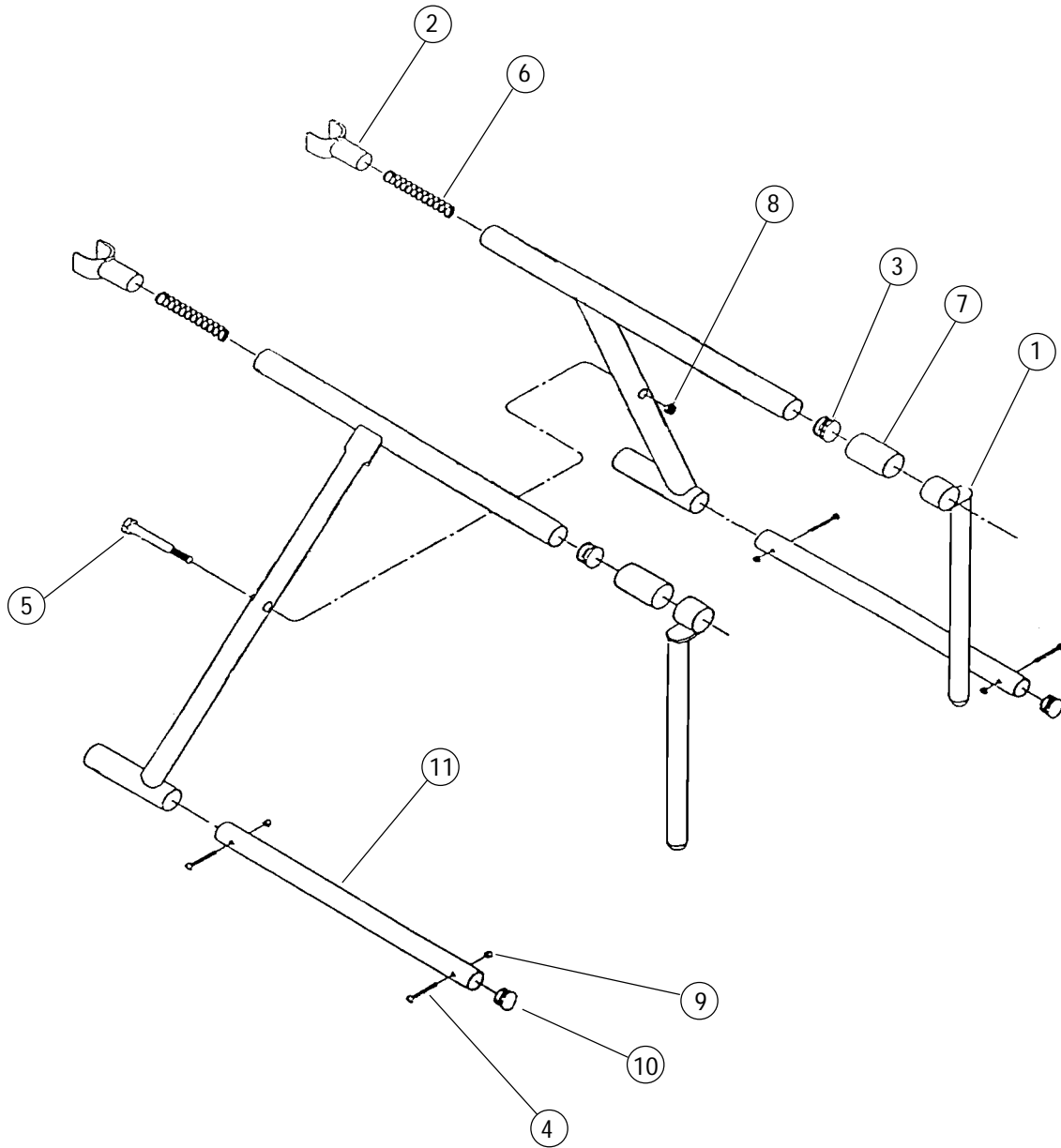
# FRAMES and HARDWARE



Item Number	Part Number	Description	Package Quantity
1	1006537	-Right -Chrome	1
	1006538	-Left -Chrome	1
	1006539	-Right -Black	1
	1006540	-Left -Black	1
	❖1039961NLA	-Right -Color	1
	❖1039962NLA	-Left -Color	1
2	1027095	Plug Button - Black (7/8")	1
3	⊗ 7100053	Arm Lock Assembly- -Right	1
	⊗ 7100054	-Left	1
4	1090768	Lock Handle Replacement Kit with Rivets (Pair)	2
5	47471X068	Locking Pin	1
6	47471X074	Spring, Arm Lock	1

- ❖ Specify frame color when ordering. See page 4.
- ⊗ Comes installed when item #1 is ordered.

# CROSSBRACES and HARDWARE

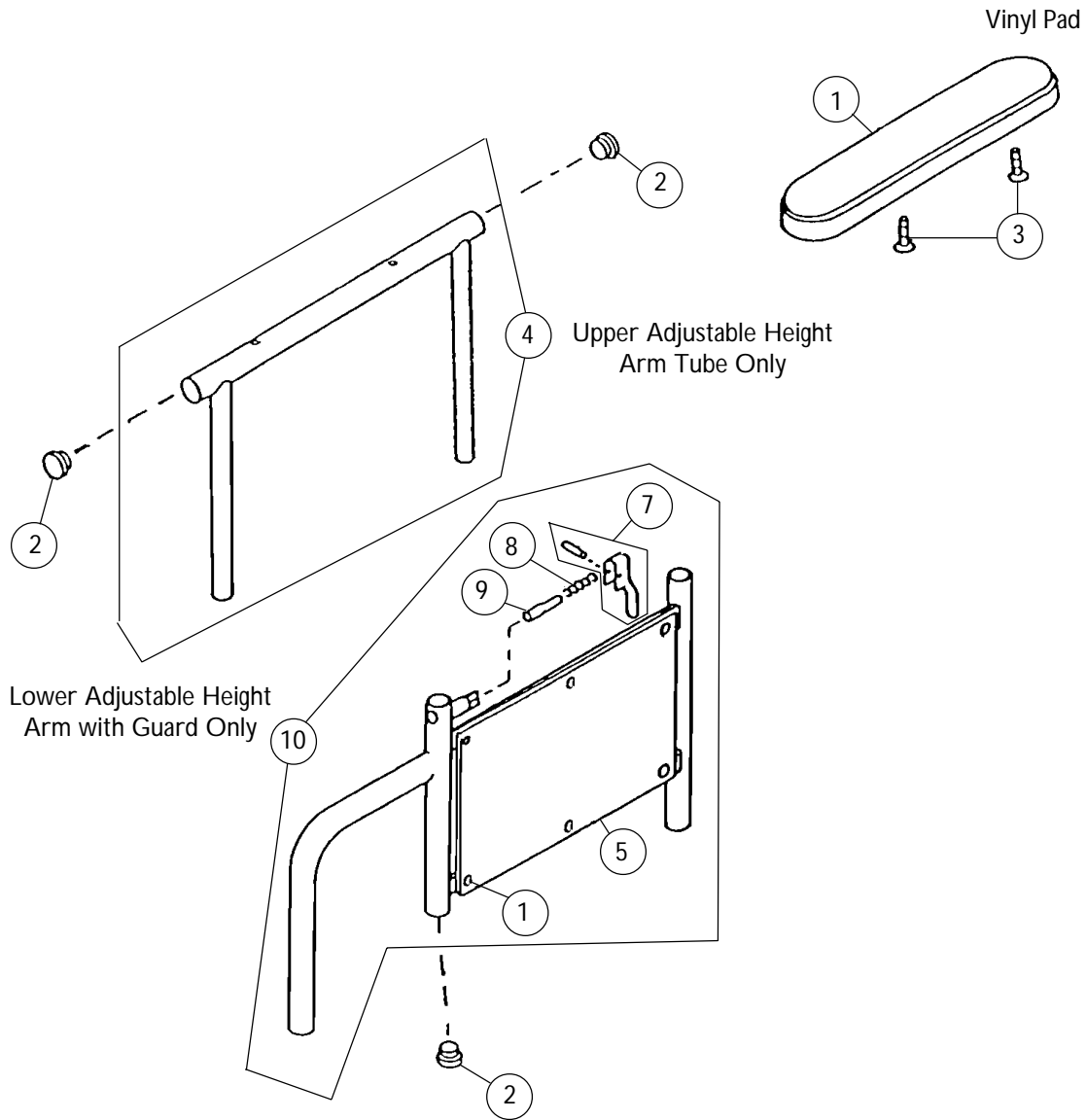


## CROSSBRACES and HARDWARE (continued)

Item Number	Part Number	Description	Package Quantity
1	04555X007	Front Seat Guide	1
2	<del>04723X003</del> NLA 1028599	Rear Seat Guide -Chrome -Black	1 1
3	1027095	Plug Button - Black (7/8")	1
4	7930361 7930327	Screw, Phillips Head (10-32 x 1-1/8") -Chrome -Black	25 25
5	40317X003 1028600	Screw, Hex Head Cap (5/16-24 x 3") -Chrome -Black	1 1
6	47236X001	Spring	1
7	47397X022 1028601	Front Spacer (1-7/8" long) -Chrome -Black	1 1
8	7930363 7930330	Locknut (5/16"-24) -Chrome -Black	25 25
9	7930365 7930332	Locknut (10-32) -Chrome -Black	25 25
10	1027097	Plug Button -Black (3/4")	1
11	1002088	Lower Insert Tube	1
12	1006531 1006532  1006535 1006536	Crossbrace without Hardware Right-12" or 14"wide (Child model only) Left-12" or 14" wide (Child model only)  Right-14" or 16" wide (Junior model only) Left-14" or 16" wide (Junior model only)	1 1  1 1



# ARM ASSEMBLY



# ARM ASSEMBLY (continued)

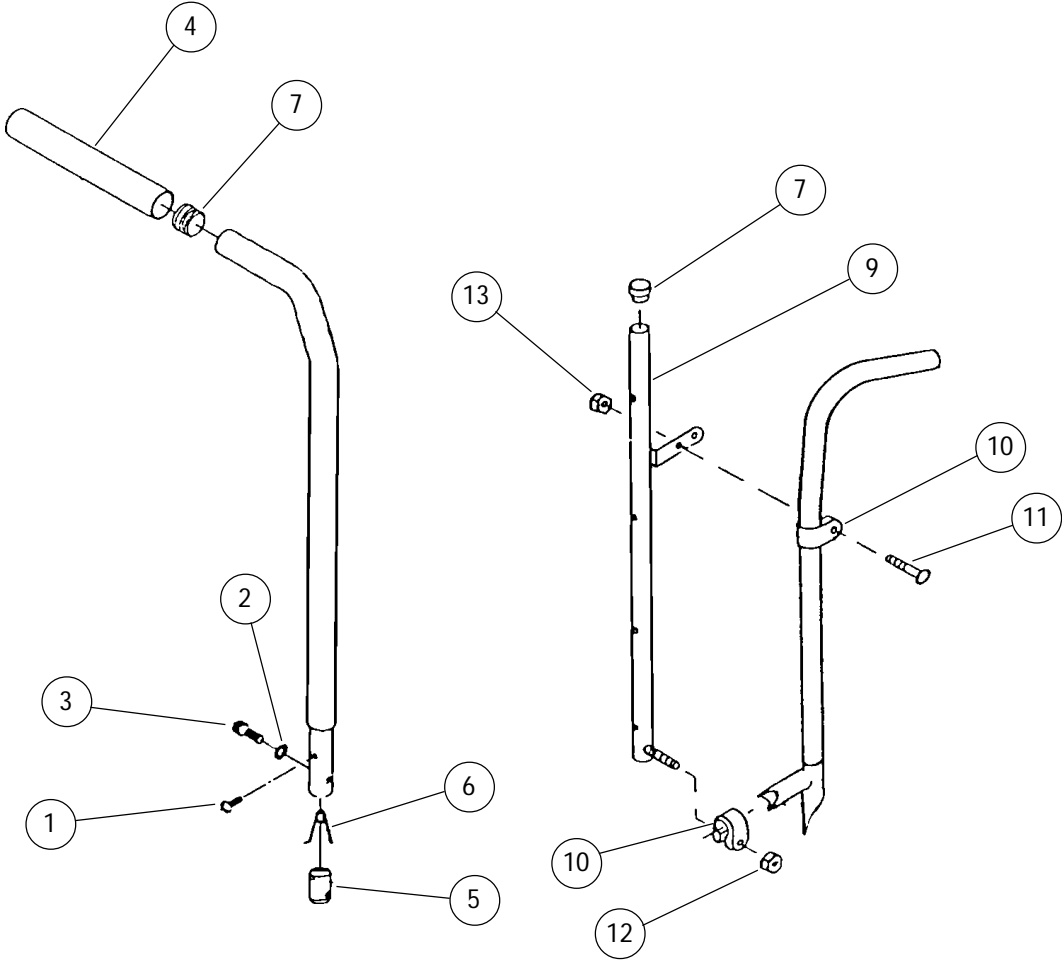
Update 01/02A

Item Number	Part Number	Description	Package Quantity
1	* 1011811	Arm Pad Desk Length (9" L x 2" W)	1
	* 1015932	Full Length -Right (14" L x 2" W)	1
	* 1015933	-Left (14" L x 2" W)	1
2	1027095	Plug Button - Black (7/8")	1
3	7930361	Screw, Phillips Pan Head(10-32 x 1-1/8")	25
4		Upper Arm Tube w/o Arm Pad	
	1057734	-Desk Length with Plug Buttons	1
	04702X089	-Full Length	1
5	⊕ 1064130	Clothing Guard	1
6	1028645	Rivet	1
7	1090768	Lock Handle Replacement Kit with Rivets (Pair)	2
8	47471X074	Spring, Arm Lock	1
9	47471X068	Locking Pin	1
10	⊕ 1041887	Lower Arm Assembly -Right	1
	⊕ 1041888	-Left	1

\* Specify upholstery color when ordering see page 3.

⊕ Stainless steel clothing guards were replaced w/ ABS plastic. Chairs manufactured before 7/30/97 should be ordered in pairs to match.

# BACK CANES and HARDWARE



## BACK CANES and HARDWARE

Item Number	Part Number	Description	Package Quantity
1	1028484	Screw, Phillips Head (10-32 x 1/2")	1
2	1026108	Lockwasher (1/2")	1
3	1007219	Screw, Socket Head (1/4-20 x 5/8")	1
4	1006229	Handgrip -Black	1
5	1005834	Threaded Insert	1
6	40188X002	Release Spring	1
7	1027095	Plug Button -Black (7/8")	1
8	◆1036304NLA	Back Cane Hardware Kit	1
9	04562X011	Back Tube -Right	1
	04562X012	-Left	1
10	47311X001	Clamp	1
11	11232X009	Screw (5/16"-24 x 1-3/8)	1
12	7930363	Locknut (5/16 x 24)	25

◆Includes items 1 thru 7

## BACK CANES without HARDWARE AND GRIP

Back Height	Child Models		Junior Models	
	12" wide	14" wide	14" wide	16" wide
12"	1006508	1006506	1006508	1006506
13"	1006510	N/A	1006510	N/A
14"	1006494	1006508	1006494	1006508
15"	1006512	1006510	1006512	1006510
16"	1006496	1006494	1006496	1006494

# VINYL BACK UPHOLSTERY without HARDWARE

## CHILD MODELS

Back Height	Chair Width	
	12"	14"
12"	◆1007133	◆1036284
13"	◆1036295	◆1036299
14"	◆1009426	◆1007134
15"	◆1036323	◆1036327
16"	◆1007136	◆1006656

## JUNIOR MODELS

Back Height	Chair Width	
	14"	16"
12"	◆1007134	◆1036291
13"	◆1036327	◆1036307
14"	◆1006656	◆1007135
15"	◆1036331	◆1036335
16"	◆1007137	◆1007132

# REINFORCED VINYL BACK UPHOLSTERY (Modified - Dual Liners)

## CHILD MODELS

Back Height	Chair Width	
	12"	14"
12"	◆1036282	◆1036286
13"	◆1036297	◆1036301
14"	◆1036312	◆1036315
15"	◆1036325	◆1036329
16"	◆1036921	◆1036318

## JUNIOR MODELS

Back Height	Chair Width	
	14"	16"
12"	◆1036315	◆1036293
13"	◆1036329	◆1036309
14"	◆1036318	◆1036321
15"	◆1036333	◆1036337
16"	◆1036927	◆1036930

Individual Hardware for Back Upholstery		Quantity Required for:	
Screw (#10 x 7/8")	7930353 (Pkg. of 25)	12" High 6	13-16" High 8
Washer (#10)	7930355 (Pkg. of 25)	6	8

◆ Specify vinyl upholstery color when ordering. See page 3

# NYLON BACK UPHOLSTERY without HARDWARE

## CHILD MODELS

Back Height	Chair Width	
	12"	14"
12"	◆1036281	◆1036285
13"	◆1036296	◆1036300
14"	◆1036311	◆1036314
15"	◆1036324	◆1036328
16"	◆1036920	◆1036317

## JUNIOR MODELS

Back Height	Chair Width	
	14"	16"
12"	◆1036314	◆1036292
13"	◆1036328	◆1036308
14"	◆1036317	◆1036320
15"	◆1036332	◆1036336
16"	◆1036926	◆1036929

# REINFORCED NYLON BACK UPHOLSTERY without HARDWARE (Modified - Dual Liners)

## CHILD MODELS

Back Height	Chair Width	
	12"	14"
12"	◆1036283	◆1036287
13"	◆1036298	◆1036302
14"	◆1036313	◆1036316
15"	◆1036326	◆1036330
16"	◆1036922	◆1036319

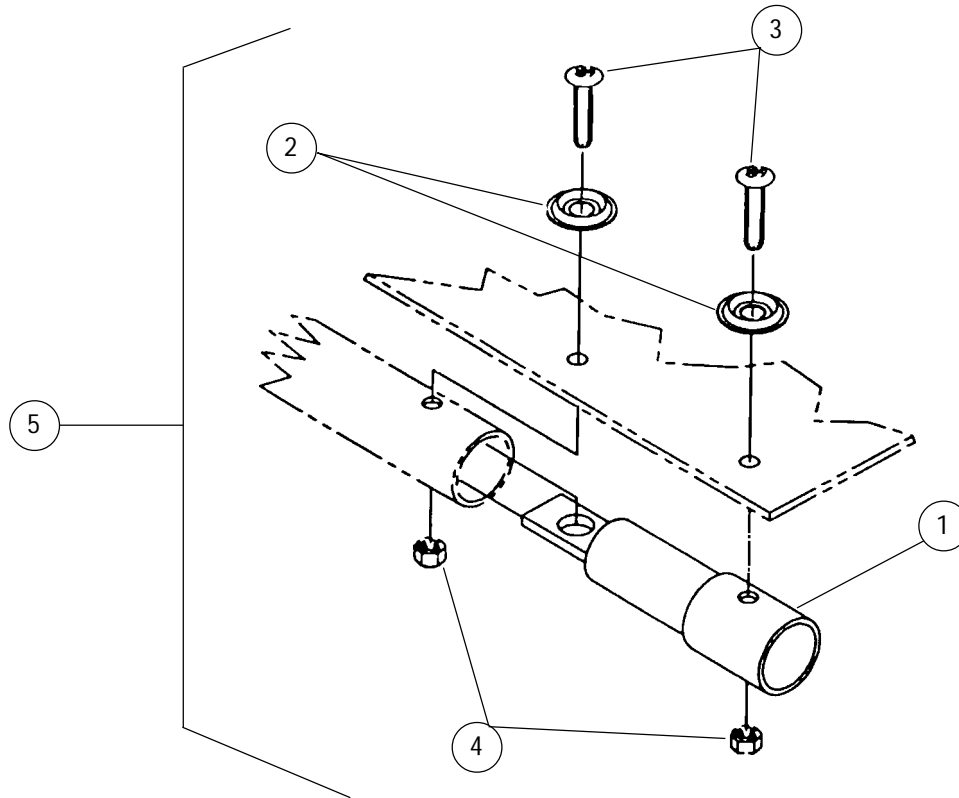
## JUNIOR MODELS

Back Height	Chair Width	
	14"	16"
12"	◆1036316	◆1036294
13"	◆1036330	◆1036310
14"	◆1036319	◆1036322
15"	◆1036334	◆1036338
16"	◆1036928	◆1036931

Individual Hardware for Back Upholstery		Quantity Required for:	
Screw (#10 x 7/8") Washer (#10)	7930353 (Pkg. of 25)	12" High 6	13-16" High 8
	7930355 (Pkg. of 25)	6	8

◆ Specify nylon upholstery color when ordering. See page 3

# SEAT EXTENTION KITS



Item Number	Part Number	Description	Package Quantity
1	◆ 04637X019	Seat Extention -1"	1
	◆ 04637X018	-2"	1
2	7930355	Washer,Stainless Steel (#10-7/8")	25
3	18860X005	Screw (10-32 x 1-3/8") 1	
4	7930365	Locknut (10-32)	25
5	⊛ <del>1036289</del> NLA	Seat Extention Kit -1"	1
	⊛ 1036290	-2"	1
Not shown	1027095	Plug Button -Black (7/8")	1

◆ Jaguar seat extensions are "specials" stock, therefore, when ordering seat extensions you must specify that they are for a Jaguar chair.

⊛ Includes items 1 thru 4

## VINYL SEAT UPHOLSTERY without HARDWARE

Chair Depth	Width		
	12"	14"	16"
14"	◆1006651	◆1003714	◆1006648
15" (1" deeper)	◆1036977	◆1036996	◆1037015
16" (2" deeper)	◆1037019	◆1037023	◆1037027

## REINFORCED VINYL SEAT UPHOLSTERY without HARDWARE (Modified - Dual Liners)

Chair Depth	Width		
	12"	14"	16"
14"	◆1036975	◆1036994	◆1037013
15" (1" deeper)	◆1036979	◆1036998	◆1037017
16" (2" deeper)	◆1037021	◆1037025	◆1037029

Seat Upholstery Hardware Kit		1036340NLA	
Individual Hardware for Seat Upholstery	Part Number	Package Quantity	
Screw (#10 x 7/8")	7930353	25	
Screw (#10-32 x 1-3/8")	18860X005	1	
Washer (#10)	7930355	25	
Locknut (#10-32)	7930365	25	

◆ Specify vinyl upholstery color when ordering. See page 3



## NYLON SEAT UPHOLSTERY without HARDWARE

Chair Depth	Width		
	12"	14"	16"
14"	◆1036974	◆1036993	◆1037012
15" (1" deeper)	◆1036978	◆1036997	◆1037016
16" (2" deeper)	◆1037020	◆1037024	◆1037028

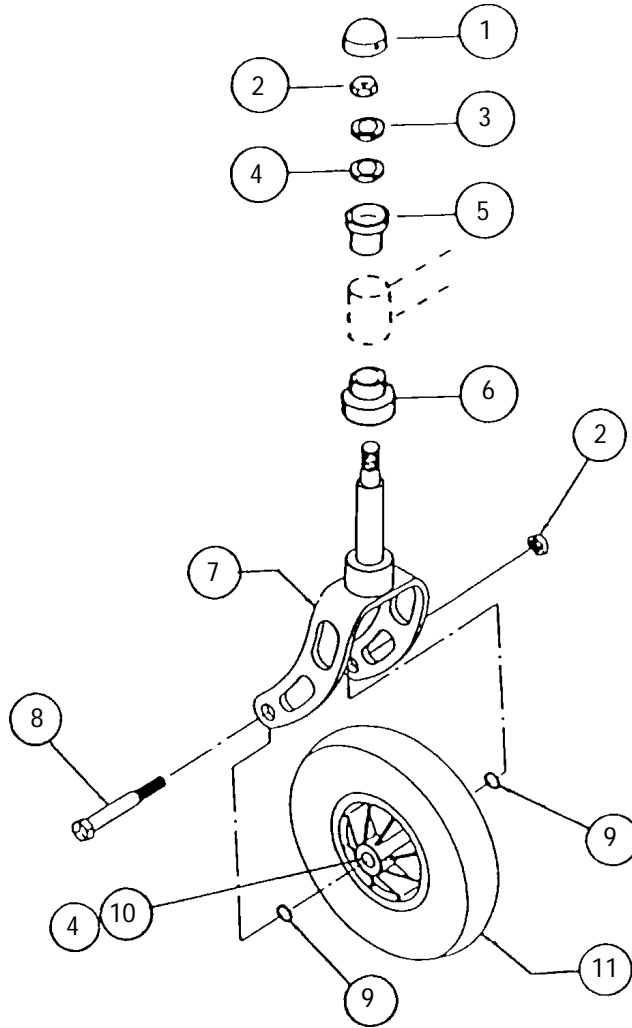
## REINFORCED NYLON SEAT UPHOLSTERY without HARDWARE (Modified - Dual Liners)

Chair Depth	Width		
	12"	14"	16"
14"	◆1036976	◆1036995	◆1037014
15" (1" deeper)	◆1036980	◆1036999	◆1037018
16" (2" deeper)	◆1037022	◆1037026	◆1037030

Seat Upholstery Hardware Kit		1036340NLA	
Individual Hardware for Seat Upholstery	Part Number	Package Quantity	
Screw (#10 x 7/8")	7930353	25	
Screw (#10-32 x 1-3/8")	18860X005	1	
Washer (#10)	7930355	25	
Locknut (#10-32)	7930365	25	

◆ Specify nylon upholstery color when ordering. See page 3.

# FRONT CASTERS and FORKS

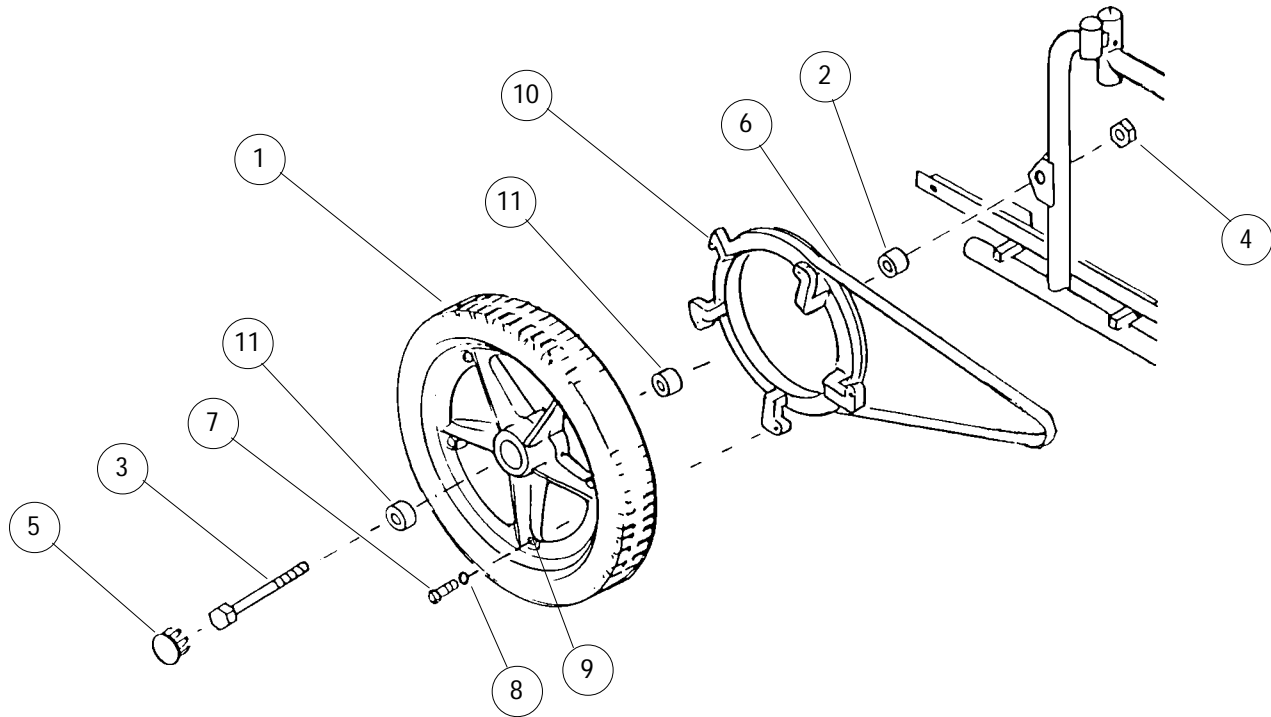


## FRONT CASTERS and FORKS (continued)

Item Number	Part Number	Description	Package Quantity
1	1028999	Headtube Cap	-Chrome 1
	1001843		-Black 1
	1029086	Screw, Pan Head, (6-32 x 3/16")	1
2	7930352	Locknut, (7/16-20)	-Chrome 25
	7930331		-Black 25
3	40014X044	Nylon Washer, (1 x 7/16")	1
4	1006049	Precision Bearing	1
5	57768X028	Upper Bearing Sleeve without Bearing	1
6	04268X020	Lower Bearing Sleeve with Bearing	1
7	04540X247	Fork and Stem	-Chrome 1
	1029705		-Black 1
8	57667X007	Screw, Hex Head (7/16-20 x 3 1/4")	-Chrome 1
	1030344		-Black 1
9	7930312	Flat Washer, (7/16")	25
10	1020592	Bearing Spacer, (7/16 x 1-3/4")	1
11	<del>1006058</del> NLA	Semi-Pneumatic Caster, (8 x 1 3/4") with Bearings	1
	*1070811	Semi-Pneumatic Caster, (8 x 1-3/4") with Bearings (After 6-8-97)	1
	1002002	Pneumatic Caster, (8 x 2") with Bearings	1
not shown	1034942	Tube (8 x 2")	1
	40176X034	Tire (8 x 2")	1

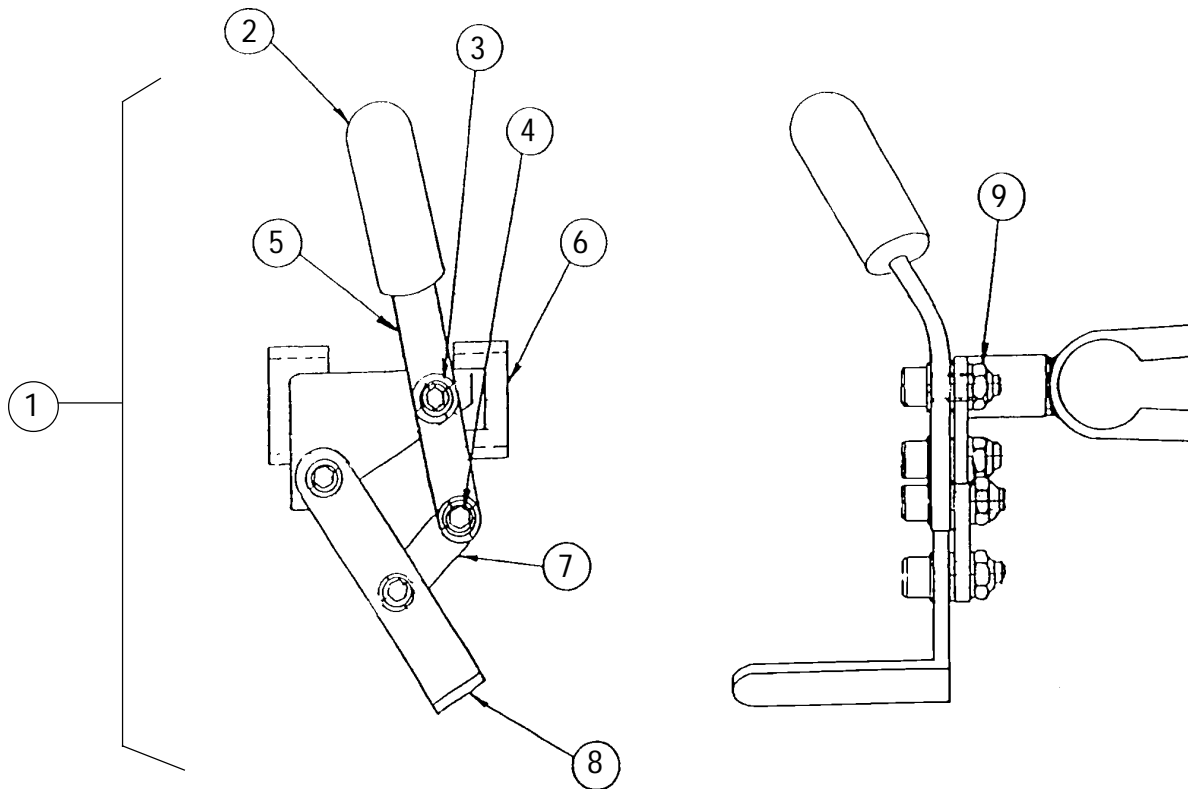
\* Order in pairs (# 1071666) for chairs manufactured before 6-9-97.

# REAR WHEELS and HARDWARE



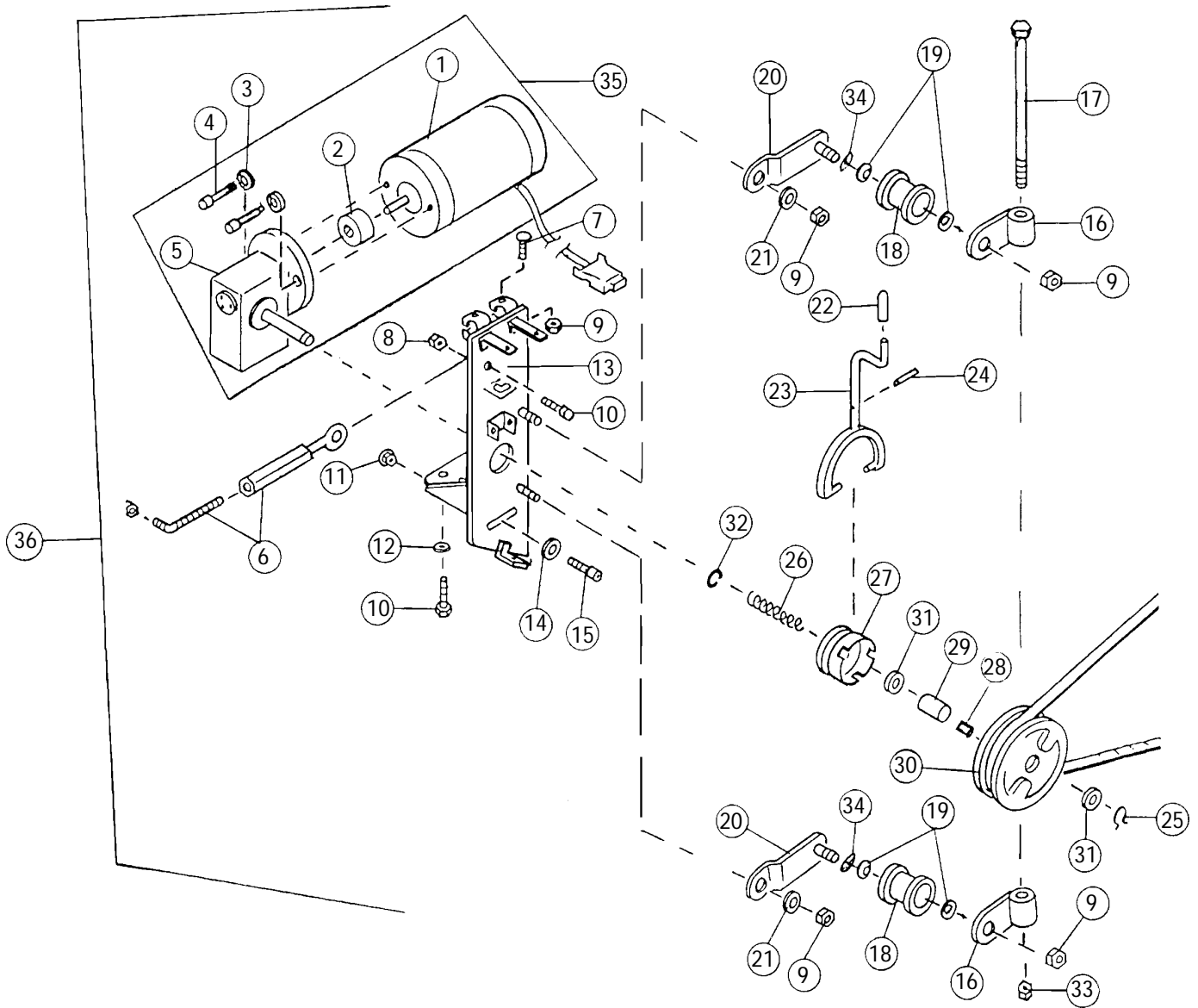
Item Number	Part Number	Description	Package Quantity
1	1005791	16" Wheel and Pulley	1
	1036306	With Treaded Tire	1
	1005777	16" Wheel <b>without</b> Pulley	1
	1036305	With Treaded Tire	1
		<b>Component Parts</b>	
	1005775	Tire, (16 x 2-1/4")	1
	1005776	Tube, (16 x 2-1/4")	1
	1018705	Flat Free Insert	1
2	1023213	Spacer, (7/8 x 1-1/2")	1
3	1028554	Screw, Hex Head (5/8-18 x 5")	1
4	60030X000	Locknut, (5/8-18)	1
	1028550		1
5	1005772	Hub Cap -Chrome	1
6	1004108	V-Belt, (AX-44)	1
7	1007219	Screw, (1/4-20 x 3/8")	1
8	1007453	Lockwasher, (1/4 x 31/64 x 1/16)	1
9	20105X000	Washer, Flat, (1/4x 5/8 x 1/16)	1
10	1005790	Pulley	1
11	40117X006	Bearing, (5/8")	1

# WHEEL LOCKS without ATTACHING HARDWARE



Item Number	Part Number	Description	Package Quantity
1	1008445	Wheel Lock Assembly -Right	1
	1008446	-Left	1
2	47376X024	Tip, Wheel Lock Handle -Black	1
3	7930357	Washer, Nylon (1/4 x 1/2 x 1/32)	25
4	60285X018	Screw, Socket Head (1/4-20 x 3/4")	1
5	1003202	Wheel Lock Handle	1
6	1008408	Mounting Bracket -Right	1
	1008409	-Left	1
7	1005026	Wheel Lock Link	1
8	1008142	Wheel Lock Shoe	1
9	7930364	Locknut (1/4"-20) -Chrome	25
	7930323	-Black	25
not shown	7930363	<b>Attaching Hardware</b> Locknut (5/16"-24) -Chrome	25
	7930330	-Black	25
	11232X009	Lug Bolt (5/16-24 x 1-3/8")	1

# MOTOR, GEARBOX, and CLUTCH ASSEMBLY



**MOTOR, GEARBOX, and CLUTCH ASSEMBLY (continued)**

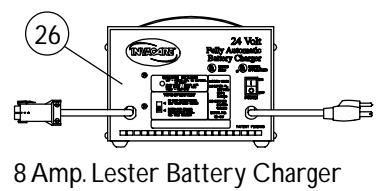
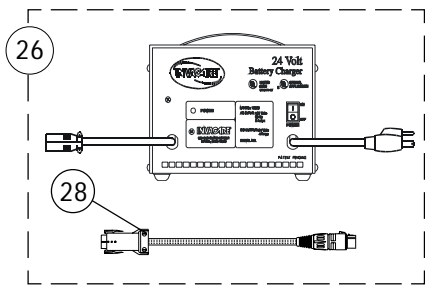
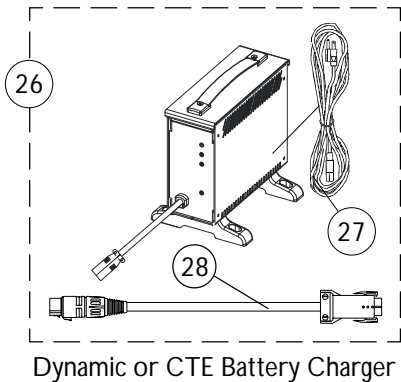
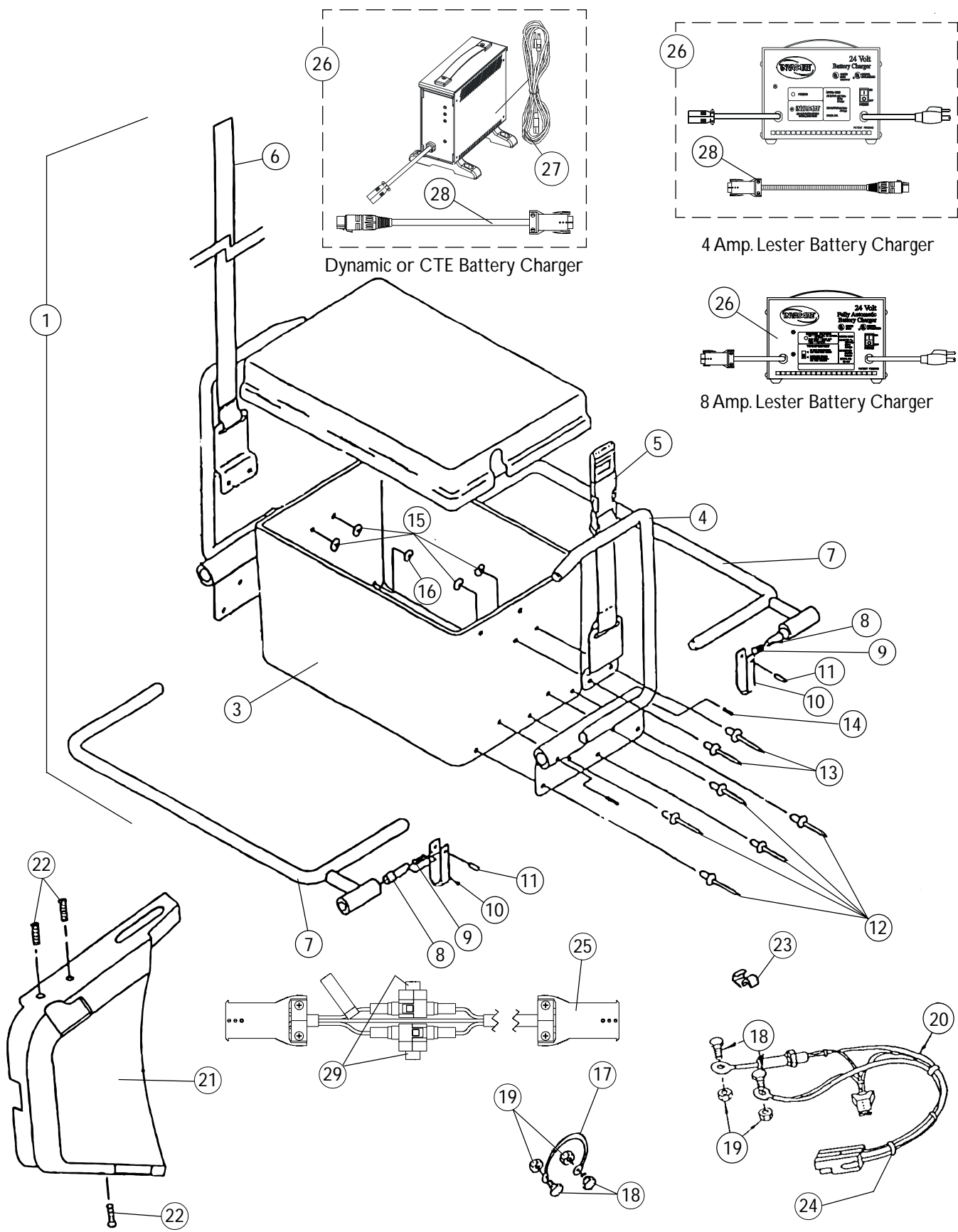
Item Number	Part Number	Description	Package Quantity
1	<del>50000X378NLA</del>	Motor and Brake -Right	1
	<del>1012147NLA</del>	Before 12-1-93 -Left	1
		<b>Replace with the following:</b>	
	⊕ 1040734	Motor and Brake Right or Left After 11-1-93	1
not shown	1044044	Motor Brush and Cap	1
2	☞ 50000X007	Coupling and Cup	1
3	10141X012	Lockwasher (#10-3/16 x 5/16 x 1/16")	1
4	1029237	Screw, Socket Head (10-32 x 7/8")	1
5	1048545	Gearbox -Right	1
	1048546	-Left	1
6	1001289	Turnbuckle w/ Stud	1
7	1023064	Lug Bolt (5/16-24 x 1-3/8")	1
8	7930364	Locknut (1/4-20)	25
9	7930363	Locknut (5/16-24)	25
10	60264X010	Bolt, Hex Head (1/4-20 x 3/4")	1
11	<del>20225X005NLA</del>	Locknut, Flanged (10-32)	1
12	16348X009	Washer, Flat (3/16 x 9/16 x 3/64")	1
13	<del>1005628NLA</del>	Motor Mount Bracket -Right	1
	<del>1005629NLA</del>	-Left	1
14	P0870X490	Washer, Flat (3/16 x 7/16 x 1/16")	1
15	1029464	Screw, Socket Head (10-32 x 1-1/4")	1
16	<del>05502X081NLA</del>	Belt Tension Bracket	1
17	60274X014	Screw, Hex Cap (3/8-16 x 6-1/2")	1
18	1025377	Idler Spindle w/ Bearing	1
19	47183X047	Spacer	1
20	05502X084	Idler Sub-Assembly	1
21	40157X013	Washer, Nylon (11/32 x 7/8 x 1/16")	1
22	47376X026	Tip, Shifter Handle - Black	1
23	<del>1006312NLA</del>	Shifter Handle	1
24	40187X033	Roll Pin (1/8 x 1-1/2")	1
25	14133X001	Snap Ring	1
26	1011511	Spring, Clutch	1
27	1003530	Drive Collar	1
28	50000X401	Needle Bearing	1
29	50000X400	Inner Race	1
30	1016938	Drive Pulley	1
31	50000X397	Bearing Spacer	1
32	40314X001	Snap Ring	1
33	40363X000	Locknut (3/8 - 16)	1
34	16308X000	Washer (5/16 x 11/16 x 1/16")	1
35		Motor and Gearbox Assembly	
	* 1048549	-Right	1
	* 1048550	-Left	1
36		Motor, Clutch, and Gearbox Assembly	
	* <del>1006711NLA</del>	-Right	1
	* <del>1006710NLA</del>	-Left	1

⊕ This motor is an Invacare motor.

\* These motors are either Invacare, Indiana General, or Litton. Shilin motors are No Longer Available.

☞ Coupling and Cup assembly was resized from approximately 1" to 1-1/4" diameter and serves as a direct replacement

# BATTERY BOX, CHARGER, and REAR SHROUDS





# BATTERY BOX, CHARGER, and REAR SHROUDS

(continued)

Item Number	Part Number	Description	Package Quantity
1	⊕ <del>1024020</del> NLA	Battery Box Assembly	1
2	1005640	Battery Box Cover	1
3	1005639	Battery Box Bottom	1
4	◆ <del>1006043</del> NLA	Battery Box Handle	1
5	1005710	Battery Box Strap with Buckle	1
6	1005709	Battery Box Strap less Buckle	1
7		Mounting Bracket Complete	
	⊗ <del>1006040</del> NLA	-Right	1
	<del>1006041</del> NLA	-Left	1
8	47471X006	Locking Pin	1
9	47471X002	Spring	1
10	47471X022	Lock Handle	1
11	40187X002	Roll Pin (5/64 x 1/2")	1
12	1007094	Rivet (5/64 x 1/2" Long)	1
13	1003177	Rivet (5/32 x 13/32" Long)	1
14	60284X006	Set Screw (10-32 x 1/4")	1
15	16348X005	Washer (5/32 x 3/8 x 1/32")	1
16	16348X003	Washer (3/16 x 3/8 x 1/16")	1
17	1005714	Jumper Cable	1
18	60274X011	Screw, Hex Head (1/4-20 x 1/2")	1
19	40204X000	Locknut (1/4-20)	1
20	1013948	Battery Harness	1
	1104486	-For Labac Recliners with lead acid batteries	1
	<del>1036841</del> NLA	-For Labac Recliners with gel cell batteries	1
21		Pulley Shroud	
	1005830	-Right	1
	1005831	-Left	1
22	1022597	Screw, Phillips Head (10-32 x 3/8")	1
23	1010681	Clamp, Plug	1
24	1095503	Cable Tie (5-5/8" Long) (Package Quantity Of 10)	10
25	1013399	Charger Cable Extension	1
26		Battery Charger	
	* 1053163	Square Plug 8 Amp. Dual Mode, Lester	1
	<del>1085685</del> NLA	Square Plug 8 Amp. Dual Mode w/ AC Power Line Cord, Dynamic (not shown)	1
	☞ 1062556	Round Plug 8 Amp. Single Mode w/ AC Power Line Cord and Square Plug Adapter Cable, CTE Corp.	1
27	1089627	Cord, AC Power Line	1
28	1053831	Adapter Cable (New Charger To Old Harness)	1
29		Fuse, 15 Amp.	
	1098892	Buss ATC-15 (Before 3/11/03)	2
	1090117	Buss Mini ATM-15 (After 3/10/03)	2
not shown	1020717	Decal Sheet, Jaguar Starburst	1

\* On 7/18/01 Lester 8 amp. battery charger was reinstated for service parts.

⊕ Includes items 2 thru 7

◆ Specify black or chrome

⊗ Includes 8 thru 11

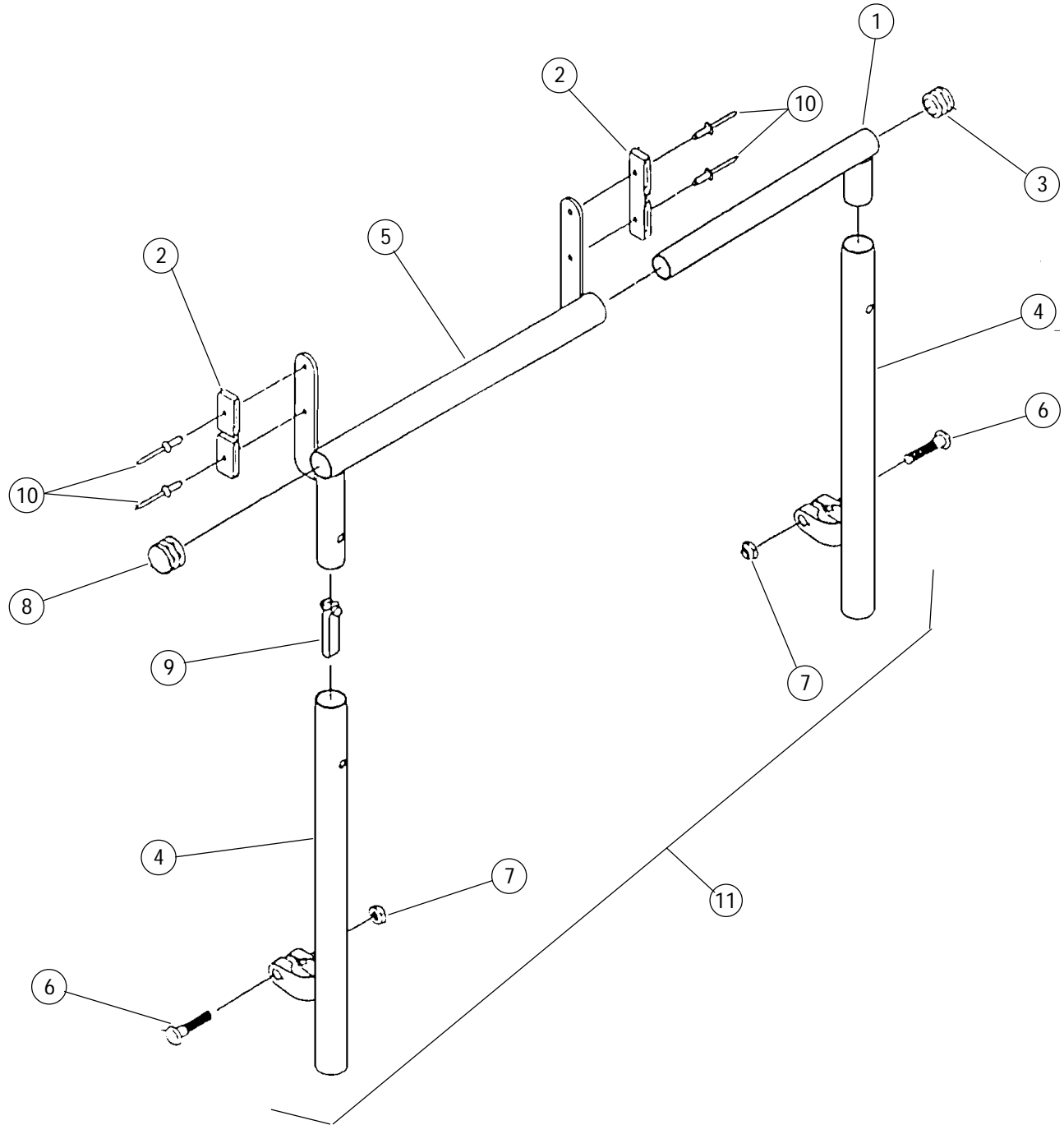
☞ The 4 amp. Lester charger was obsoleted and replaced with the 8 amp. CTE charger 4/1/04. Used on Gel Cell or AGM (Absorbed Glass Mat) batteries. CTE charger looks exactly the same as Dynamic's charger except for the company name that is silk screened on the narrow side panel, where the charger plug is (hard wired) attached. Serial number starts with 04A0000001. For wet cell batteries, use the 8 amp. dual mode Lester charger.

# ELECTRONICS

## TABLE OF CONTENTS

	Page Number
Action Arrow Style Displays .....	37
Action Arrow Style Joystick Options .....	34
Action Arrow Style Switch Options .....	36
Arrow Style Controllers .....	33
Arrow Style Controller Hardware .....	31
Arrow Style Joystick and Attaching Hardware, MKIII .....	31
Controller Support Hardware .....	26
Displays .....	37
Mid-Line Swing Bracket .....	41
Printer and Interface .....	32
Quad Link Assembly, MCC MKIII, 1556 Heavy Duty and 1810 Short Std. Joystick .....	39
Quad Link Assembly, Ranger X .....	40
Ranger X Style Electronics .....	28
Ranger X Switch Option Interface .....	30
Remote Keypad .....	33
R.I.M. Control Switch Option 1500/1500H .....	42
Swivel Joystick Hardware .....	38
Tash and Therafin Accessories .....	44

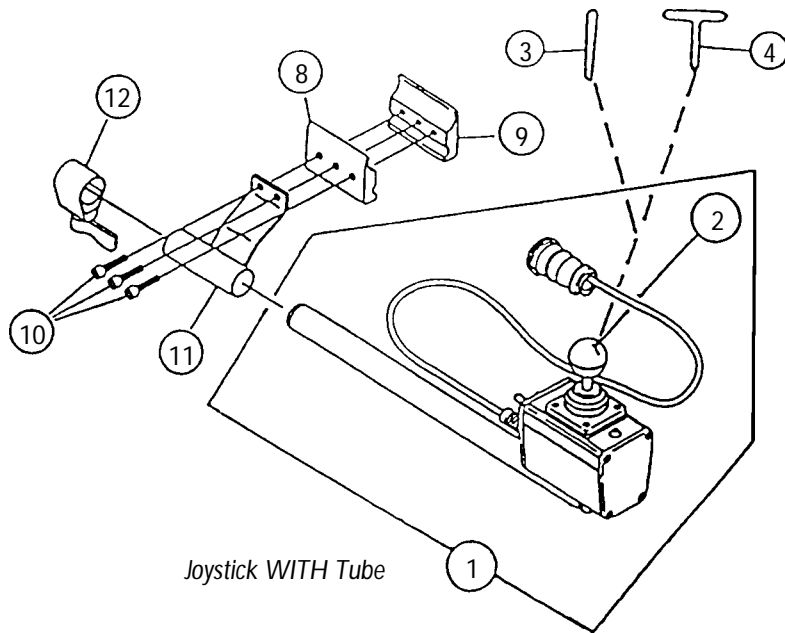
# CONTROLLER SUPPORT HARDWARE



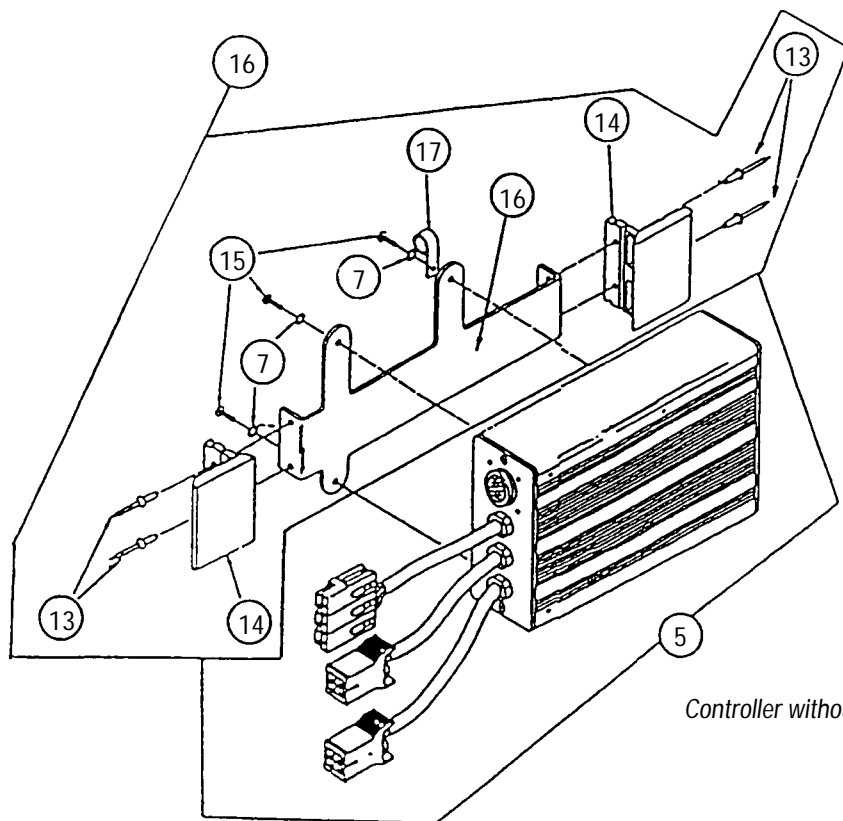
# CONTROLLER SUPPORT HARDWARE

Item Number	Part Number	Description	Package Quantity
1	1027259	Controller Bracket Slide Tube -After 11/91	1
	1027259	-Before 12/91	1
2	1007406	Keeper	1
3	1027097	Plug Button - Black (3/4")	1
4	1027260	Support Tube w/ Clamp -After 11/91	1
	<del>1006874</del> NLA	-Before 12/91	1
5	1027225	Controller Mount Support -After 11/91 (Ranger X or Arrow Electronics)	1
	<del>1005595</del> NLA	-Before 12/91 (Ranger X Electronics)	1
	<del>7820006</del> NLA	-Before 12/91 (Arrow Electronics.)	1
6	1031026	Screw (5/16-24 x 1 3/8") -After 11/91	1
	11232X009	-Before 12/91	1
7	7930330	Locknut (5/16-24) -After 11/91	25
	7930363	-Before 12/91	25
8	1027095	Plug Button - Black (7/8")	1
9	1025763	Double Snap Button -After 11/91	1
	40188X007	-Before 12/91	1
10	16348X004	Rivet	1
11	1036247	Controller Support Assembly (After 11/91)	1

# RANGER X STYLE ELECTRONICS and ATTACHING HARDWARE



*Joystick WITH Tube*

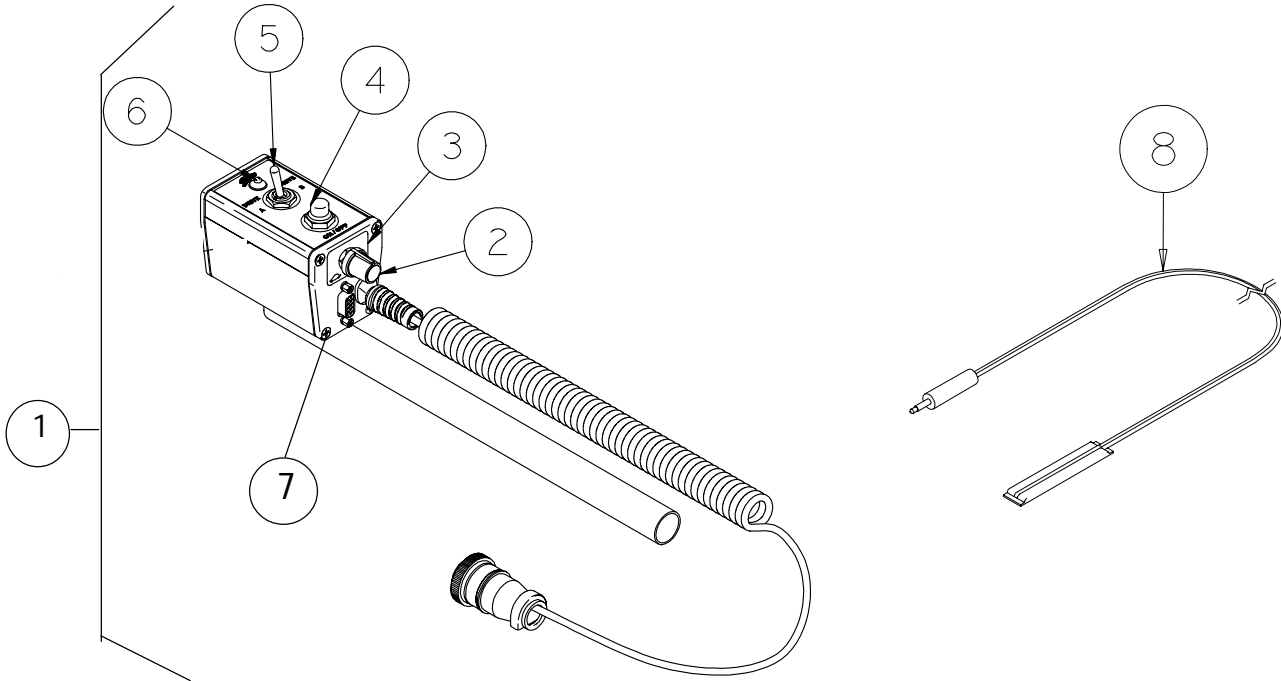


*Controller without Bracket*

# RANGER X STYLE ELECTRONICS and ATTACHING HARDWARE (continued)

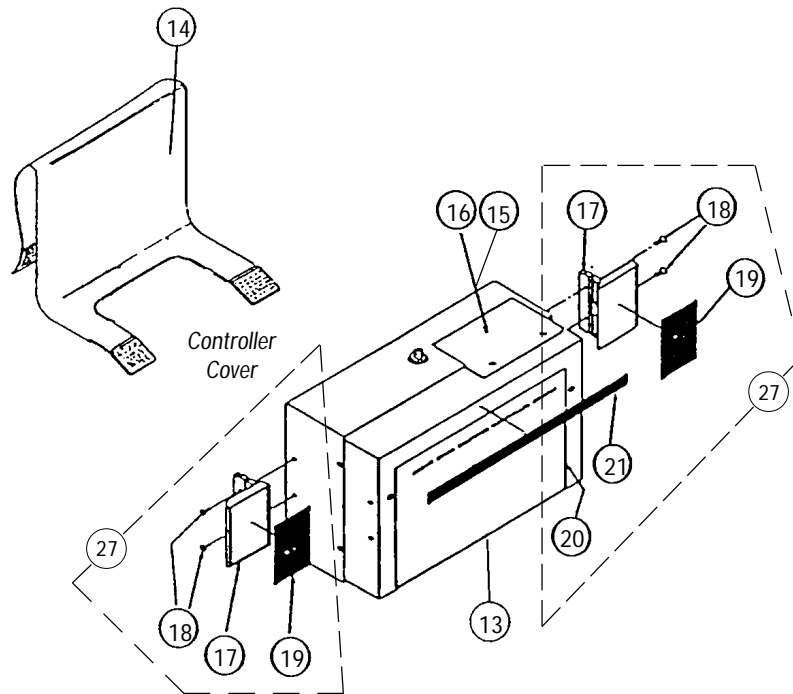
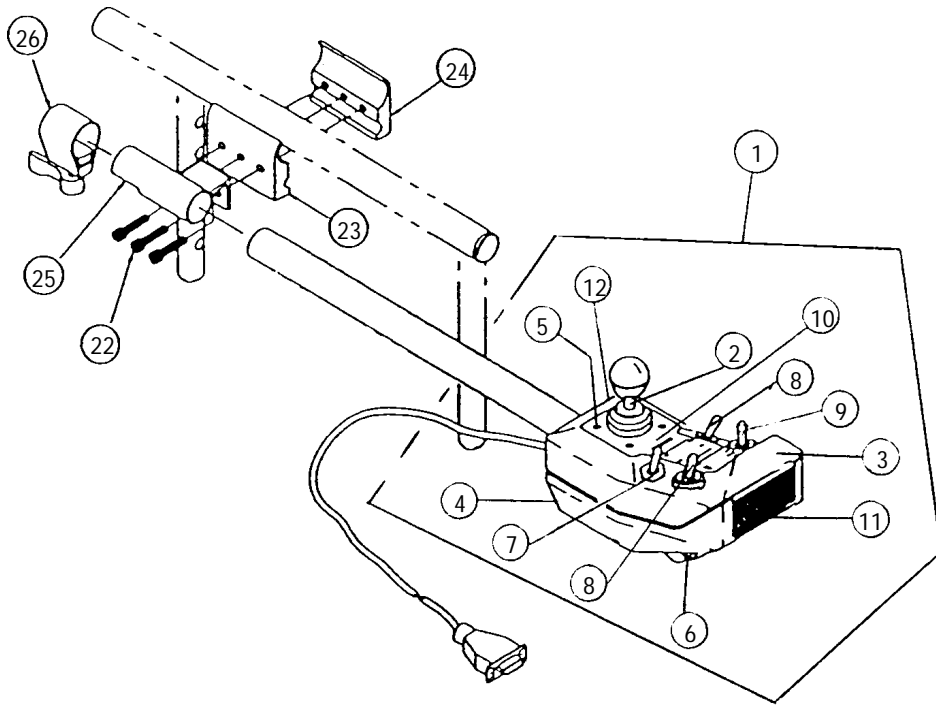
Item Number	Part Number	Description	Package Quantity
1	1027409	Joystick with Tube-After 11/91	1
	<del>1006715</del> NLA	Joystick with Tube-Before 12/91-Repair only	1
2	1032696	Inductive Joystick	1
	1006191	Knob with Tolerance Ring (3/16 x 5/8")	1
	50000X364	Boot	1
	1028079	Screw, Phillips Head (#4 x 5/8")	1
	1006191	Tolerance Ring (3/16 x 5/8")	1
3	1006271	Joystick Extension, Straight Style - Black	1
4	1006270	Joystick Extension, "T" Style -Black	1
5	1036494	Controller without Bracket-After 10/92	1
	<del>1026451</del> NLA	Controller without Bracket-Before 11/92 (Repair only or use 1036494E reconditioned)	
7	1027263	Lockwasher (3/16 x 3/8 x 1/32")	1
8	1027266	Half Clamp-Open Holes - Black	1
9	1027267	Half Clamp-Threaded Holes - Black	1
10	1027268	Screw, Socket Head (1/4-20 x 1")	1
11	1027252	Joystick Mounting Bracket	1
12	1027274	Adjustment Lock	1
13	16348X004	Rivet	1
14	50000X025	Latch (for keeper)	1
15	1027264	Screw, Pan Head (8-32 x 1/2")	1
16	<del>1027238</del> NLA	Controller Bracket without Hardware	1
	1037178	Controller Bracket with Hardware	1
17	50000X403	Plastic Clamp	1

# RANGER X SWITCH OPTION INTERFACE & RESET SWITCH



Item Number	Part Number	Description	Package Quantity
1	1036493	Switch Option with Instructions	1
2	1025516	Control Knob	1
3	1028083	Speed Pot Decal	1
4	1010049	Splash Proof Seal	1
	1010048	Push Button Switch with Nut	1
5	1028664	Toggle Switch with Nut	1
6	1011719	Tri-Colored LED Light with wires	1
	<del>1011699</del> NLA	without wires	
7	1028529	Screw, Pan Head (#8-32 x 3/8")	1
8	1020818	Reset Switch	1

# ARROW STYLE MKIII JOYSTICK and CONTROLLER HARDWARE

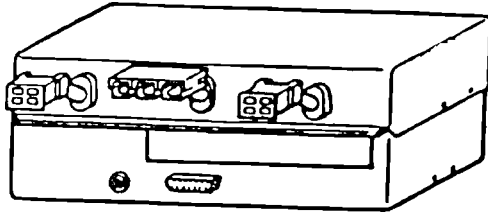




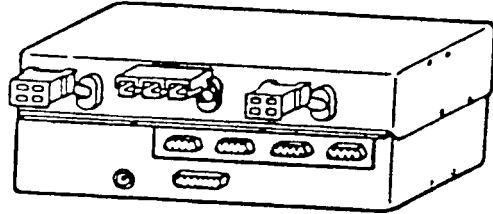
# ARROW STYLE MKIII JOYSTICK and CONTROLLER HARDWARE (continued)

Item Number	Part Number	Description	Package Quantity
1	1031039	Joystick with Tube-After 11/91	1
	<del>1010404</del> NLA	Joystick with Tube-Before 1/89-Repair only	1
2	1032697	Inductive Joystick	1
	1006191	Knob with Tolerance Ring (3/16 x 5/8")	1
	50000X364	Boot	1
	1006191	Tolerance Ring (3/16 x 5/8")	1
3	1028872	Joystick Box Top-Grey	1
4	1028871	Joystick Box Bottom-Grey	1
5	1020390	Screw, Phillips Head (1" x 7/64")	1
6	1010051	Horn (8-16V)	1
7	1010358	Washer, Panel Seal (16/32 x 5/8 x 7/64")	1
8	1028664	Switch, Toggle Black	1
9	1028665	Switch, Center Return Black	1
10	1028017	Decal, Joystick Face Action	1
11	1003502	Decal, Reflective	1
12	1005891	Plug, Switch Hole-Black	1
13	See page 31	Controller without Attaching Hardware	1
14	1012814	Controller Cover	1
15	1026552	Key Pad Cover	1
16	<del>1023102</del> NLA	Key Pad Kit	1
17	50000X025	Latch (for keeper)	1
18	1009083	Screw, Flat Head, (6-32 x 3/8")	1
19	1029228	Velcro Hook, (2 x 2-15/16")	1
20	1029231	Decal, Micro Hook-Up	1
21	1029230	Velcro Hook, (9-15/16 x 5/8")	1
22	1027268	Screw, Socket Head, (1/4-20 x 1")	1
23	1027266	Half Clamp-Open Holes	1
24	1027267	Half Clamp-Threaded Holes	1
25	1030890	Joystick Mounting Bracket	1
26	1027274	Adjustment Lock-Black	1
27	1036113	Controller Attaching Hardware (Includes Items 17-21)	1
not shown	1046117	Printer and Interface	1
not shown	1026572	Printer Paper	1
not shown	1027280	Wiring Harness	1
not shown	1006271	Joystick Extension, Straight Style-black	1
not shown	1006270	Joystick Extension, "T" Style-black	1
not shown	See page 33	Remote Programmer Pad	1

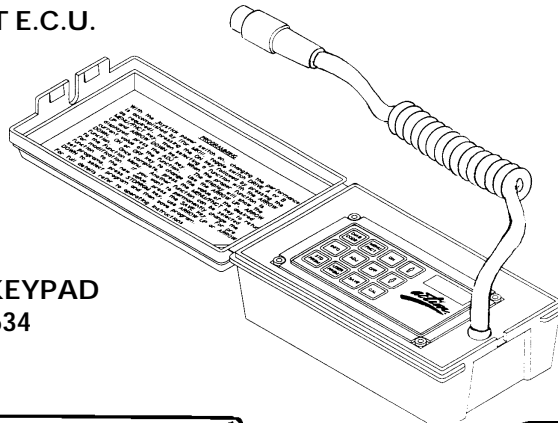
# ARROW STYLE CONTROLLERS without ATTACHING HARDWARE



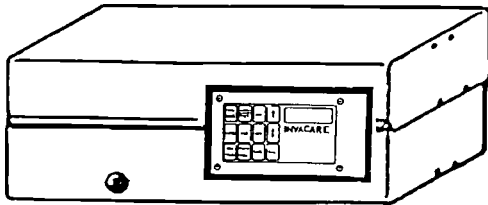
WITHOUT E.C.U.



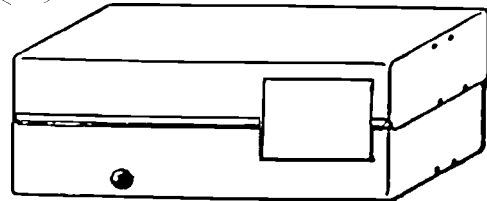
WITH E.C.U.



REMOTE KEYPAD  
1026634



WITH KEYPAD



WITHOUT KEYPAD

### CONTROLLERS BEFORE 12/91

Part Number	Description	Package Quantity
7880008 NLA	Without E.C.U.-Repair only or 1027378E	1
7880004 NLA	With E.C.U. -Repair only or 1027419E	1

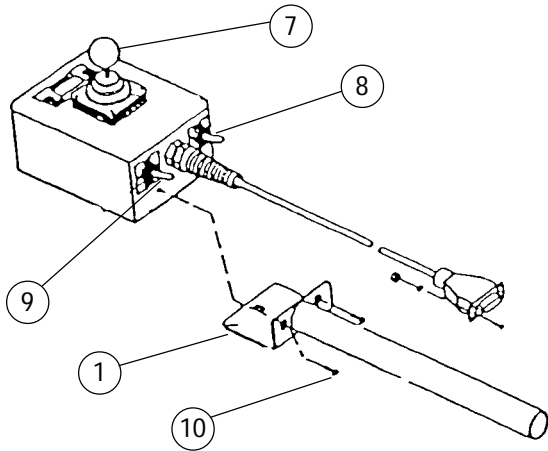
### CONTROLLERS AFTER 11/91

<del>1027378</del> NLA	Without E.C.U. and With Keypad	1
* 1032681E	Without E.C.U. and Without Keypad	1
1027419NLA	With E.C.U. and With Keypad	1
* 1032682NLA	With E.C.U. and Without Keypad	1

\* Controllers without keypads can only be programmed with a 1026634 Remote Keypad.

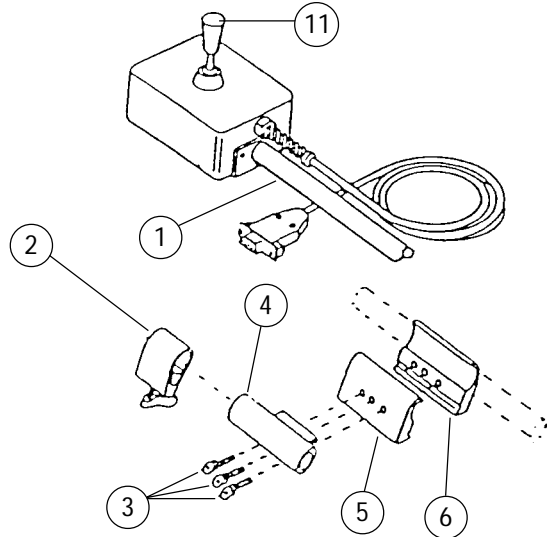
# ACTION ARROW STYLE JOYSTICK OPTIONS

## SHORT STANDARD JOYSTICK



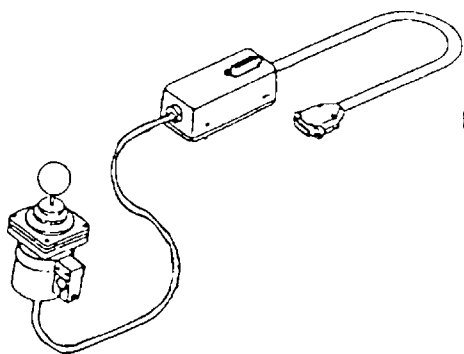
ON CHAIR: 1810M/ECU1810M  
OFF CHAIR: 1031039

## HEAVY DUTY JOYSTICK



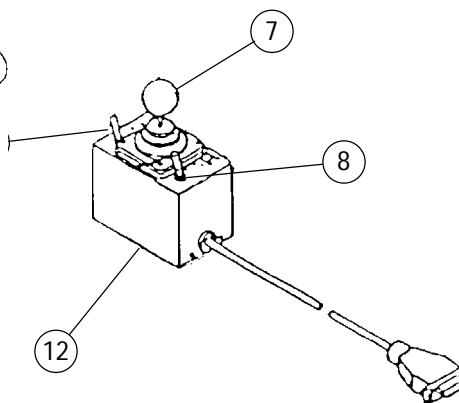
ON CHAIR: \*1556  
(used with Non-Proportional Display 1030110)

## DUAL JOYSTICK



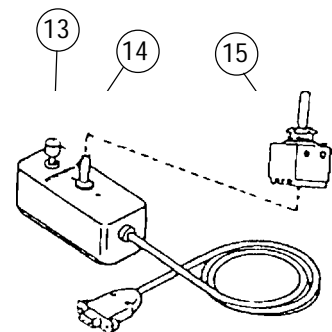
ON CHAIR: 1812  
OFF CHAIR: 1026559

## REMOTE JOYSTICK



ON CHAIR: 1555M/ECU1555M  
OFF CHAIR: 1024067  
(used with Remote Display 1030109)

## ATTENDANT CONTROL JOYSTICK



ON/OFF CHAIR: 1552M

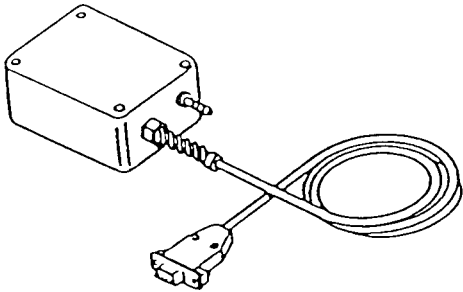
\* Ribbon Reset Switch (1020818) may be required.

# ACTION ARROW STYLE JOYSTICK OPTIONS

Item Number	Part Number	Description	Package Quantity
1	1030343	Joystick Bracket and Tube	1
2	1027274	Adjustment Lock	1
3	1027268	Screw, Socket Head (1/4-20 x 1")	1
4	1027252	Joystick Mounting Bracket	1
5	1027266	Half Clamp-Open Holes	1
6	1027267	Half Clamp-Threaded Holes	1
7	1032697	Inductive Joystick	1
	1006191	Knob w/ Tolerance Ring	1
	50000X364	Boot	1
	1006191	Tolerance Ring (3/16 x 5/8")	1
8	1018412	Switch, Chrome (Hi-Low-Off)	1
9	1010042	Toggle Switch, Chrome	1
10	1016401	Screw, Phillips Head, (10-32 x 3/8")	1
11	1042367	Heavy Duty Joystick Knob	1
12	1010848	Swivel Clamp	1
	12595X000	Handle	1
	40204X000	Locknut (1/4 -20)	1
13	1010942	Push Button Cap	1
14	1028802	SPDT Switch -After 7/91	1
	<del>1010941</del> NLA	-Before 8/91	1
15	1025588	Directional Control Joystick Switch	1

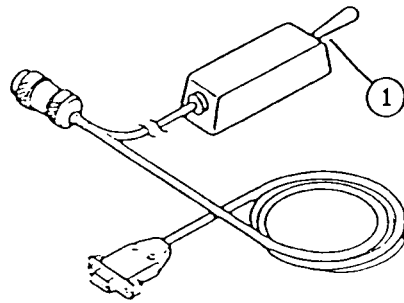
# ACTION ARROW STYLE SWITCH OPTIONS

## PNEUMATIC SWITCH CONTROL (Sip-N-Puff)



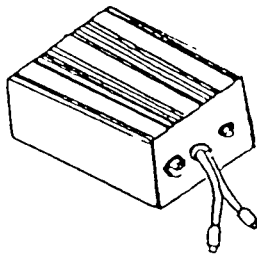
ON/OFF CHAIR: \*1554  
(used with Non-Proportional Display 1030110)

## RECLINER INTERFACE CABLE



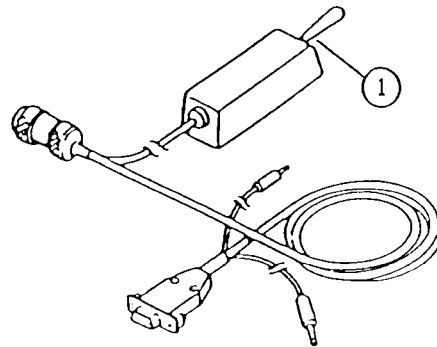
ON/OFF CHAIR: \*1553

## RECLINE/ACTUATOR CONTROL BOX



ON CHAIR: 1815  
OFF CHAIR: \*1026251

## RECLINER INTERFACE CABLE (Dual E.C.U. / Phono Plugs)



ON CHAIR: 1595  
OFF CHAIR: \*1031038

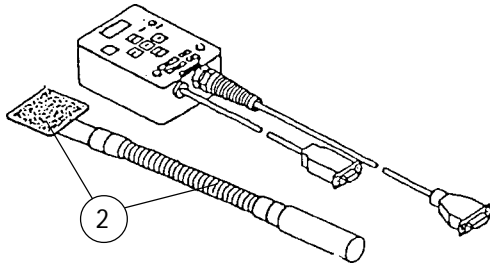
Item Number	Part Number	Description
1	1022471	SPDT Switch

\* Ribbon Reset Switch (1020818) may be required.

# ACTION ARROW STYLE DISPLAYS

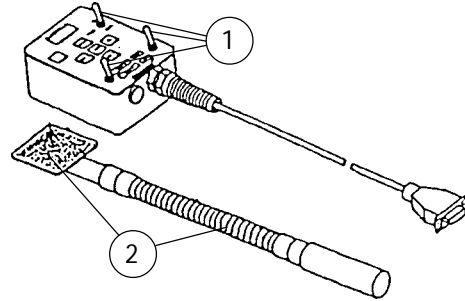
Update 8/01A

## Remote Display



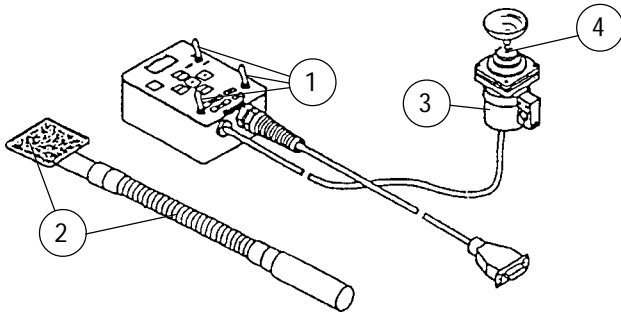
ON CHAIR: 1555M/ECU1555M  
 OFF CHAIR: ⚡1030109  
 (used with Remote Joystick 1024067)

## Non-Proportional Display



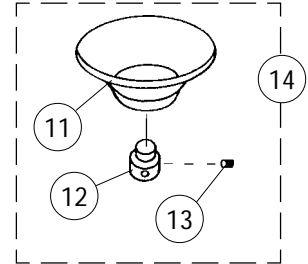
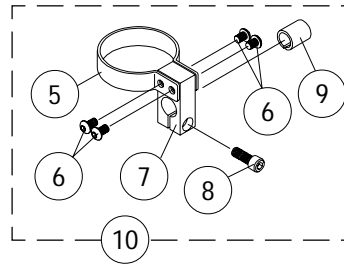
ON CHAIR: 1551M  
 OFF CHAIR: ⚡1030110  
 (used with Pneumatic Switch 1031031 or  
 Heavy Duty Joystick 1011033)

## Compact Joystick/Display and Mtg. Hardware



ON CHAIR: 1558M/ECU1558M  
 OFF CHAIR: ⚡ 1031037

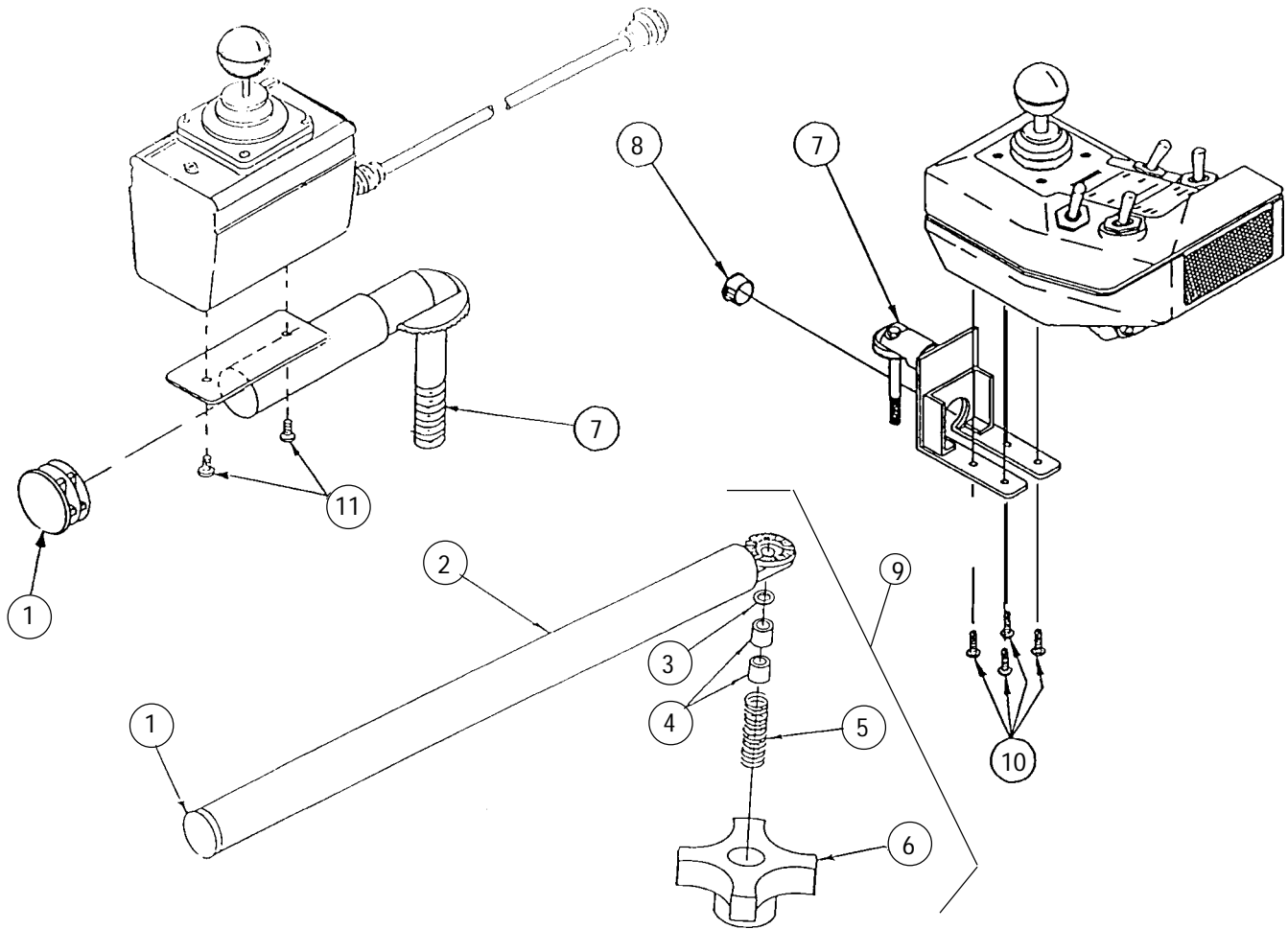
## Compact Joystick Mounting Hardware



Part Number	Item Number	Description	Package Quantity
1	1012989	Toggle Switch	1
2	1030105	Flex Tube	1
3	1032697	Inductive Joystick	1
4	50000X364	Boot	1
5	1025048	Clamp	1
6	1021460	Screw, Button Socket Head (#10-32 x 5/16")	1
7	1025045	Clamp, Mounting	1
8	1027089	Screw, Socket Head Cap (#10-24 x 1/2")	1
9	1026273	Spacer, Split (3/8" I.D.)	1
10	1108012	Dual/Compact Joystick Clamp Mounting Hardware	1
11	1017545	Chin Cup	1
12	1017612	Screw, Adaptor	1
13	90032X000	Screw, Socket Set (#8-32 x 1/4")	1
14	1020392	Chin Cup Assembly	1

⚡ Ribbon reset switch (1020818) may be required.

# SWIVEL JOYSTICK HARDWARE



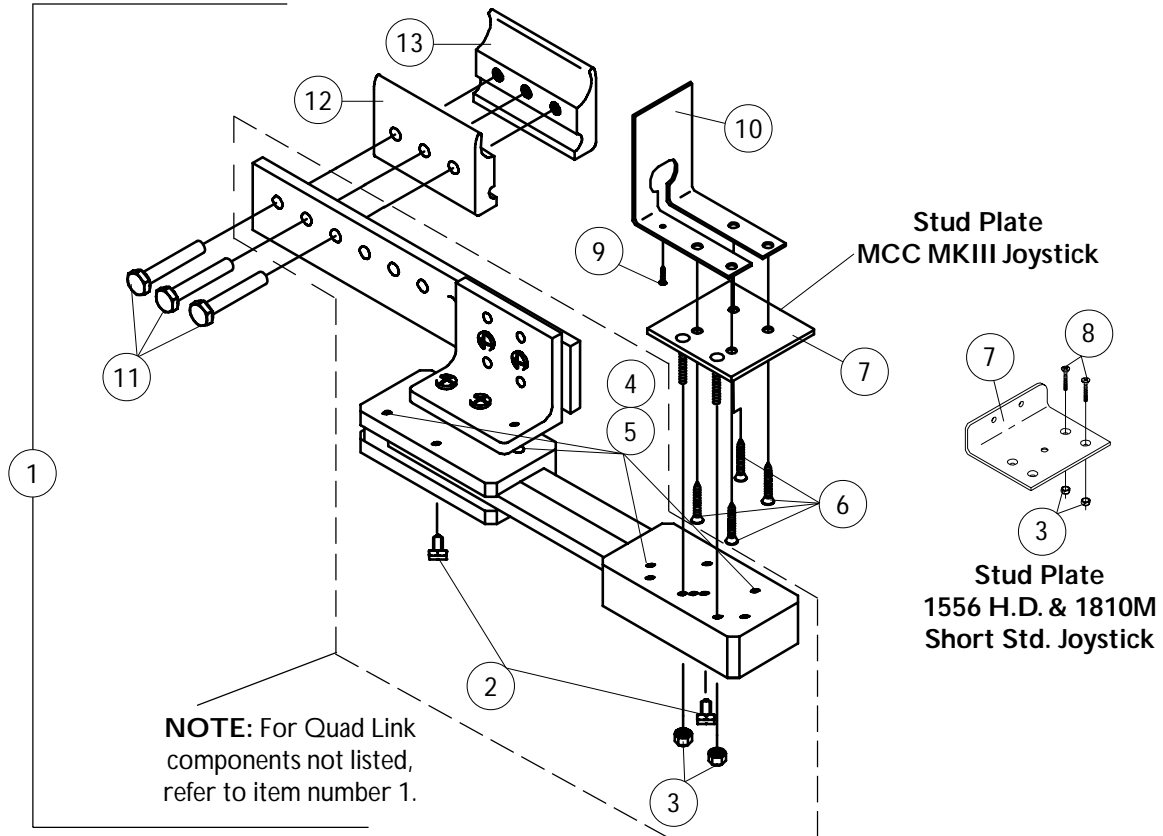
Item Number	Part Number	Description	Package Quantity
1	1027095	Plug Button - Black (7/8")	1
2	1035990	Swivel Joystick Tube	1
3	1020551	Washer, Flat (1/4 x 3/8 x 1/16")	1
4	1005844	Bushing	1
5	1002511	Spring	1
6	1023670	Clamping Knob	1
7	1035988	Swivel Joystick Bracket	1
	1035993	-MKIII Electronics -RX Electronics	1
8	1023784	Plug Button - Black (5/8")	1
9	◆1035986	Swivel Joystick Hardware Assembly	1
10	1020387	Screw, Phillips Head (#6 x 1/2")	1
11	1028529	Screw, Phillips Head (#8-32 x 3/8")	1

◆ Includes items 1 thru 6

# QUAD LINK

Update 11/30/03

## MCC MKIII, 1556 Heavy Duty and 1810 Short Std. Joystick



Item Number	Part Number	Description	Package Quantity
1	* 1027222	Quad Link with Half Clamps	1
	1034703	-MCC MKIII	
	1114866	-Right, 1556 H.D. and 1810 Short Std.	
	1114863	-Left, 1556 H.D. and 1810 Short Std.	
2	1114863	Kit, Ball Plunger Assembly w/ Lock Washers (Pair)	2
3	7930332	Locknut, High Profile (#10-32)	25
4	0067006	Screw, Socket Head (#10-32 x 1/2")	1
5	0007400	Bushing, Bronze (3/16 x 1/4 x 1/4")	1
6	0068000	Screw, Phillips Head (#6 x 5/8")	1
7		Stud Plate, Quad Link	
	0168802	-MCC MKIII	1
	0026702	-1556 H.D. and 1810 Short Std.	1
8	1077295	Screw, Phillips Flat Head C'Sunk (#4-40 x 3/8")	1
9	0067800	Screw, Phillips Head (#4 x 3/8")	1
10	0026602	Cover Plate, MCC MKIII Joystick	1
11	1030949	Screw, Hex Head Cap (1/4-20 x 1-1/2")	1
12	1027266	Half Clamp, Non-Threaded Holes	1
13	1027267	Half Clamp, Threaded Holes	1

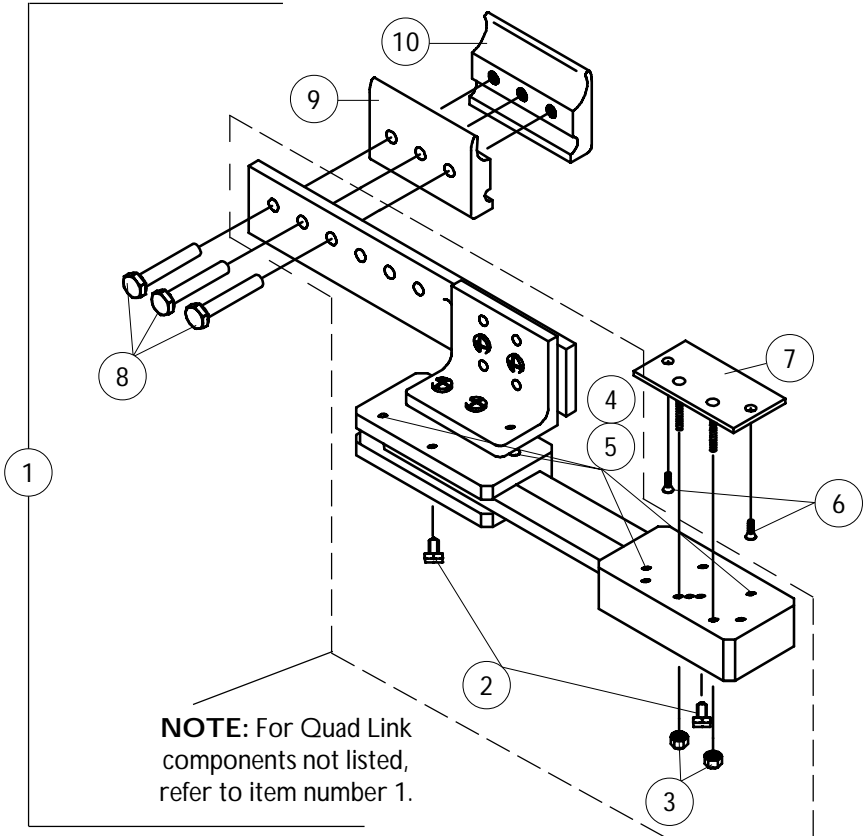
\* For left side mounted Quad Link, order as a special.



# QUAD LINK

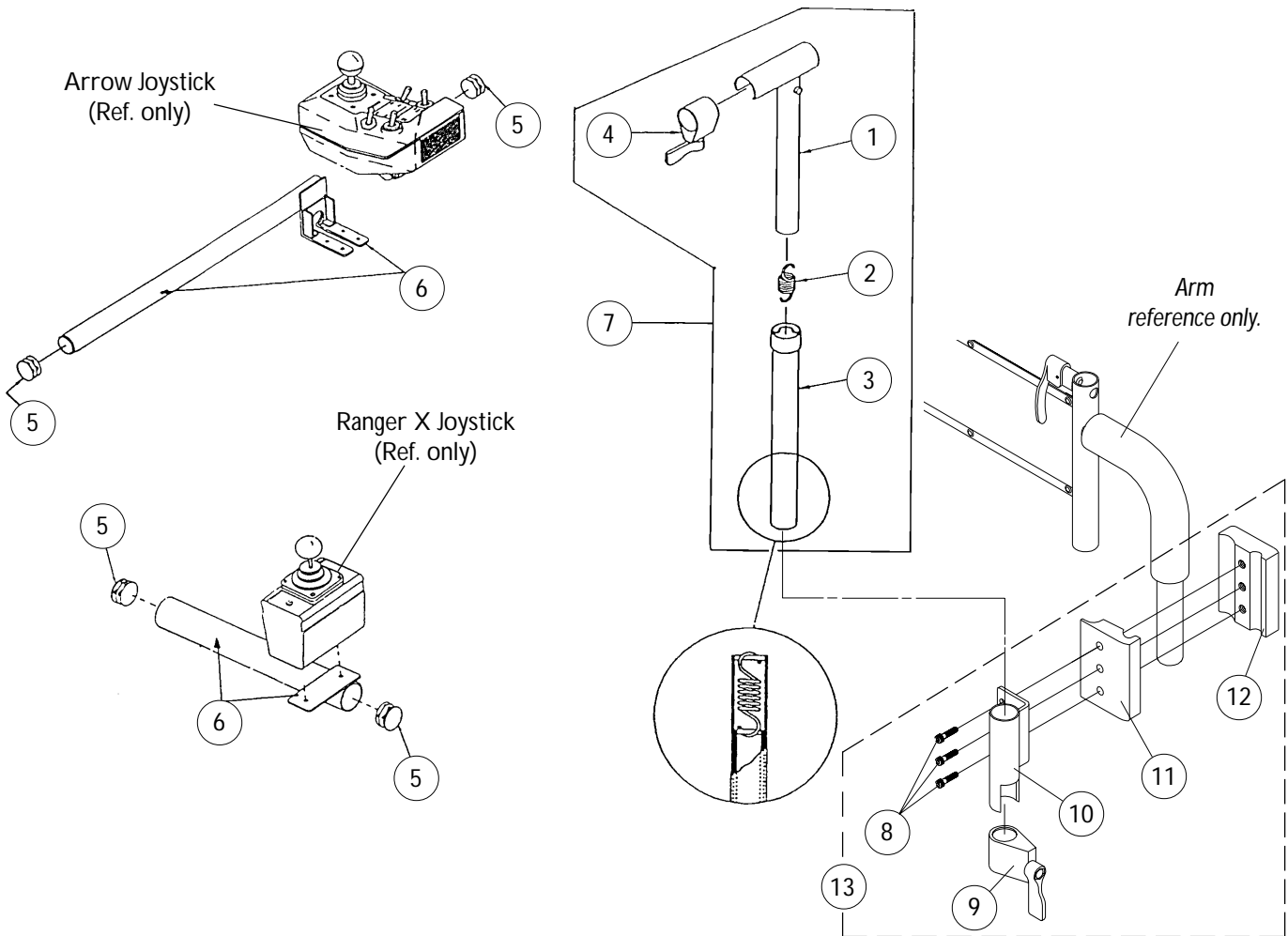
Update 11/30/03

## Ranger X Joystick



Item Number	Part Number	Description	Package Quantity
1	<del>1077298</del> NLA	Quad Link with Half Clamps, MCCX Joystick	1
2	1114863	Kit, Ball Plunger Assembly w/ Lock Washers (Pair)	2
3	7930332	Locknut, High Profile (#10-32)	25
4	0067006	Screw, Socket Head (#10-32 x 1/2")	1
5	0007400	Bushing, Bronze (3/16 x 1/4 x 1/4")	1
6	1077295	Screw, Phillips Flat Head C'Sunk (#4-40 x 3/8")	1
7	<del>0027402</del> NLA	Stud Plate, Quad Link MCCX	1
8	1030949	Screw, Hex Head Cap (1/4-20 x 1-1/2")	1
9	1027266	Half Clamp, Non-Threaded Holes	1
10	1027267	Half Clamp, Threaded Holes	1

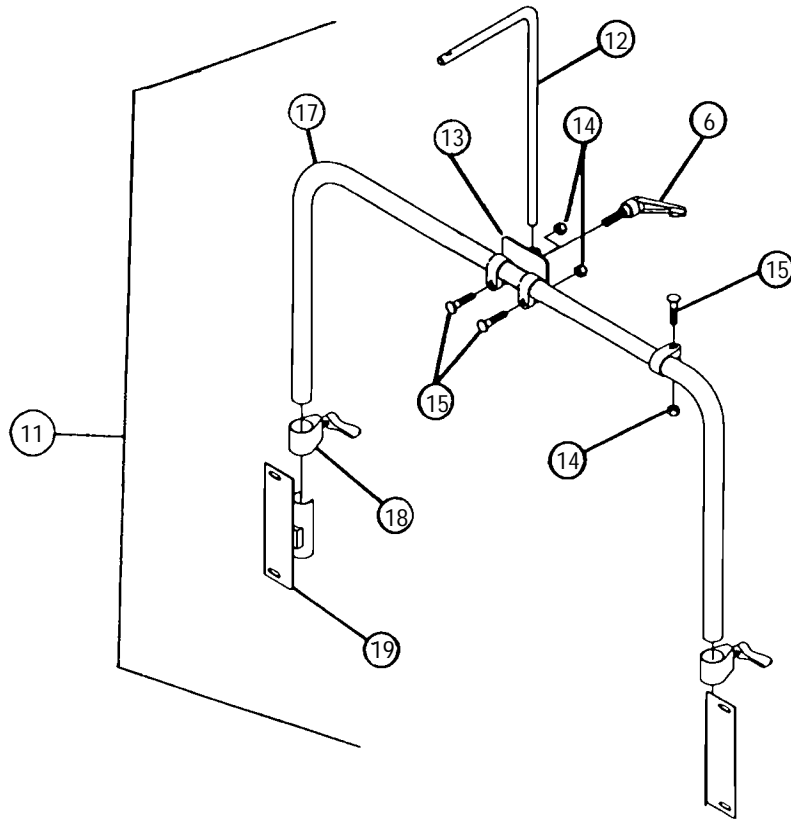
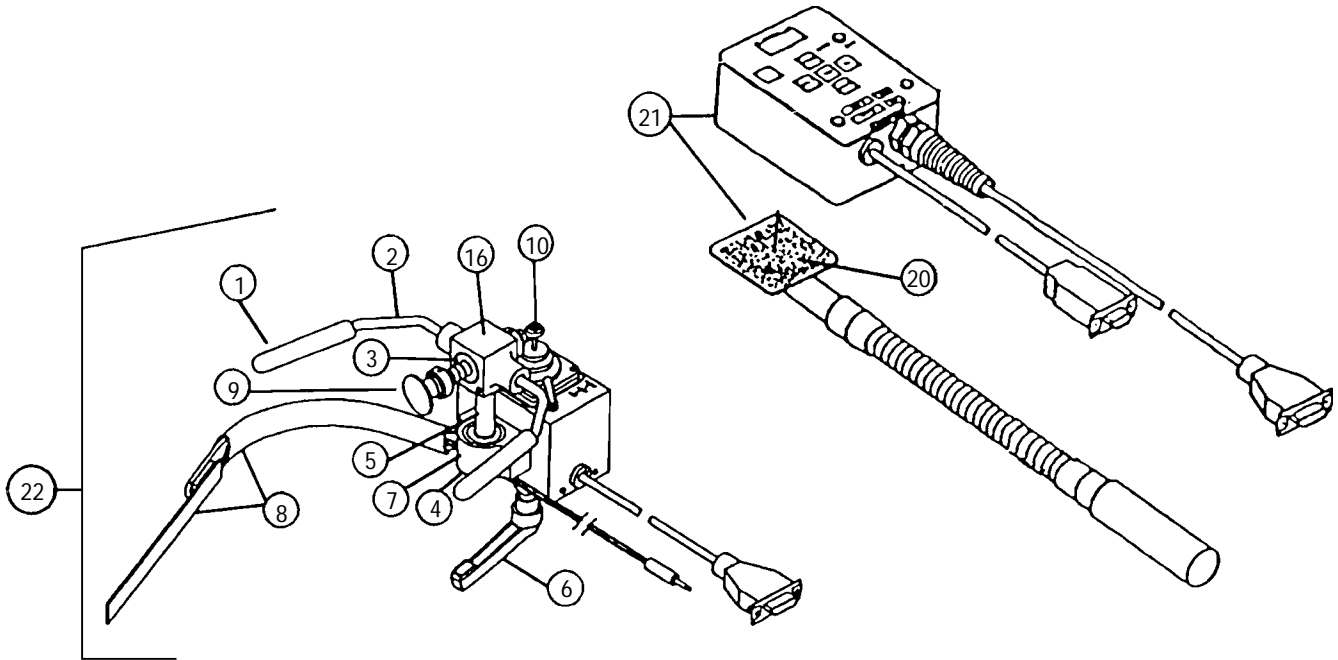
# MID-LINE SWING BRACKET ASSEMBLY



Item Number	Part Number	Description	Package Quantity
1	1035528	Adjustment Tube (Inside), Mid-Line	1
2	1016778	Spring	1
3	1035860	Adjustment Tube(Outside), Mid-Line	1
4	1027274	Adjustment lock	1
5	1027095	Plug Button, Black (7/8")	1
6		Joystick Mounting Tube	1
	⊕ 1035857	-Arrow	
	⊕ 1035855	-Ranger X	
7	1035852	Mid-Line Swing Bracket Assembly -(Includes Items 1-4)	1
8	7930349	Screw, Hex Head Cap (1/4-20 x 1-1/8")	25
9	1027274	Adjustment Lock	1
10	1049582	Mounting Bracket, Joystick	1
11	1027266	Half Clamp, Un-Threaded Holes	1
12	1027267	Half Clamp, Threaded Holes	1
13	1049591	Attaching Hardware, Mid-Line -(Includes Items 8-12)	1

⊕ Left side is not a stock item and must be ordered as a special.

# R.I.M. CONTROL SWITCH OPTION 1500/1500H



# R.I.M. CONTROL SWITCH OPTION 1500/1500H

Item Number	Part Number	Description	Package Quantity
1	1025258	Rod Cushion	1
2	1025263	Control Bar	1
3	1018113	Linear Bearing	1
4	40314X003	Spring Clip - Rotor	1
5	1025238	Pivot Rod	1
6	1022420	Handle (Rim Control)	1
7	1025269	Pillow Block w/Bearing	1
8	1025271	Ribbon Reset Switch and Bracket	1
	1020818	Ribbon Reset Switch only	1
9	*1025270	Push Rod Assembly	1
	1016428	Push Rod Cap	1
10	1001625	Tie Rod End	1
11		Rim Control Hardware Assembly	
	<del>1025281</del> NLA	-12" Wide chair	1
	1025265	-14" Wide chair	1
	1025266	-16" Wide chair	1
12	1025248	Joystick Mounting Rod	1
13	1025250	Rod Mounting Bracket	1
14	7930363	Locknut (5/16-24)	25
15	11232X009	Bolt (5/16-24 x 1-3/8")	1
16	1025241	Bearing Block	1
17		Support Upright Tube	
	<del>1025277</del> NLA	-12" Wide chair	1
	1025276	-14" Wide chair	1
	1025278	-16" Wide chair	1
18	12592X000	Adjustable Lock	1
19	1025245	Upright Bracket -Right	1
	1025246	-Left	1
20	1030105	Flextube w/Velcro	1
21	1030109	Display w/Flextube	1
22	1025264	Remote Joystick/Rim Control	1
not shown	<del>1031614</del> NLA	Instruction Sheet	1

\* Includes: push rod cap, collar w/set screw, spring, push rod, nut, and tie rod end.

# TASH AND THERAFIN ACCESSORIES

## TASH

Part Number	Description	Package Quantity
PKG4353	CA5 Multi-Connector Box	1
PKG4337	Multi-Ability Cable	1
PKG5026	Star Control	1
PKG5020	Mini Joystick with Push	1
PKG5018	Wafer Board	1
PKG5970	"U" Clamp	1
PKG5820	Red Soft Switch	1
PKG5821	Green Soft Switch	1

## THERAFIN

PKG32669	Bib Assembly	1
PKG21456	Adaptor Clamp -Tash	1
PKG21457	Adaptor Clamp -Invacare	1
PKG21460	Midline Swingaway System	1
PKG32666	Sip-n-Puff, 16" Fixed	1

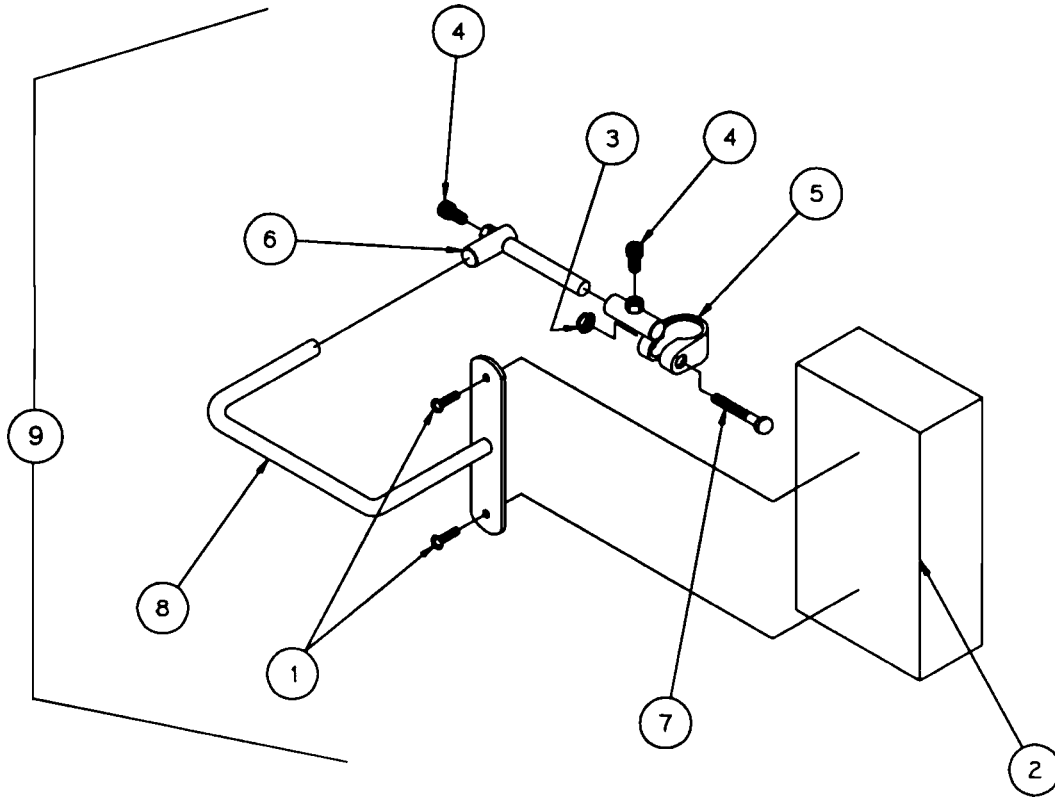
# MISCELLANEOUS ACCESSORIES

Part Number	Description	Package Quantity
1030114	Anti-Tip Assembly	1 pair
◆ 1047954	Carrying Pocket -12-14" Wide	1
◆ 1047959	-16" Wide	1
*05502E067NLA	Battery Charger, Lead Acid Square Plug	1
*1053163NLA	Battery Charger, Dual Mode Square Plug	1
See page 46	Head Supports	1 pair
◆ 1601	Lumbar Cushion -1"	1
◆ 1602	-2"	1
<del>04616X000NLA</del>	Seat Positioning Straps -Airline Style Buckle	1
1004310	-Auto Style Buckle	1
1034744	-Velcro Style Buckle	1
40176X010	Tire Pump	1
See page 48	Torso Supports	1 pair

◆ Specify upholstery color when ordering. See page 3

\* Use 8 amp. charger part number 1085685 as a replacement.

# ADJUSTABLE HEAD SUPPORT



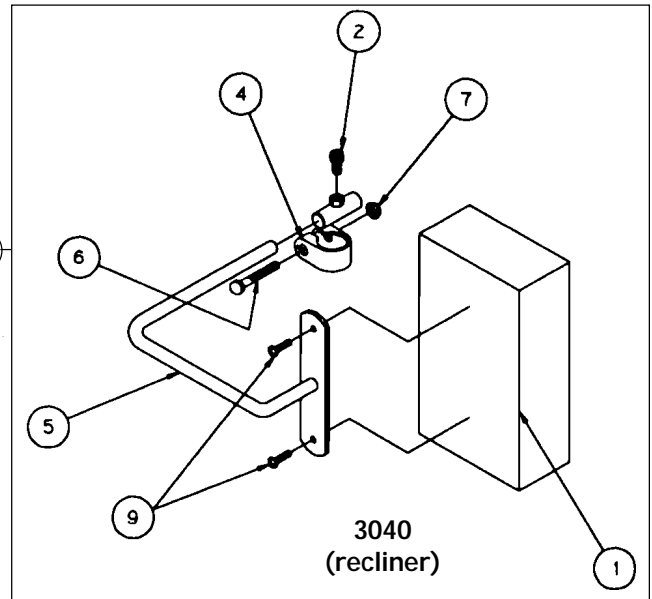
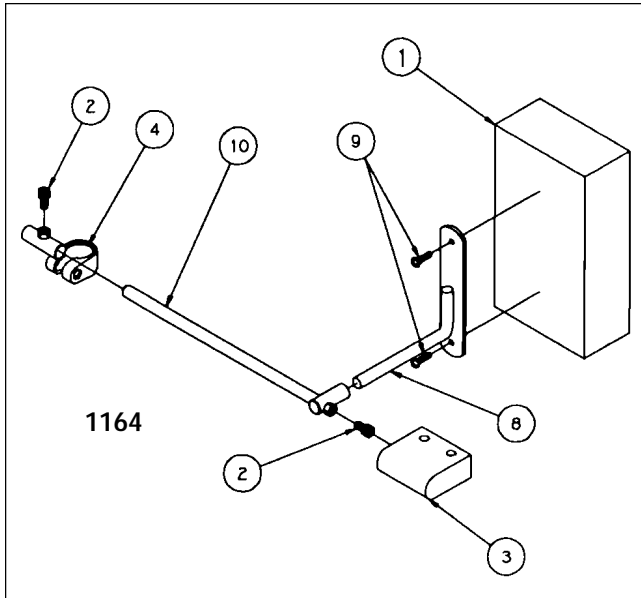
## ADJUSTABLE HEAD SUPPORT (continued)

Item Number	Part Number	Description	Package Quantity
1	7930360	Screw, Pan Head (10-32 x 11/16") -Chrome	25
	7930328	-Black	25
2	◆ 04529X040	Pad Assembly	1
3		Locknut (5/16 x 24)	
	7930363	-Chrome	25
	7930330	-Black	1
4	60284X000	Screw, Socket Head Cap (1/4-20 x 3/8")	1
5		Bracket Clamp	
	03018X043	-Right-Chrome	1
	03018X046	-Left-Chrome	1
	1028758	-Right-Black	1
	1028759	-Left-Black	1
6	03018X042	Adjustable Bracket	1
7		Lug Bolt (5/16-24 x 1-3/8")	
	11232X009	-Chrome	1
	1031026	-Black	1
8	03018X045	Pad Support Arm	1
9	◆ 3045	Adjustable Head Support	1
not shown	1023610	Instruction Sheet	1

◆ Specify upholstery color. See page 3.



# ADJUSTABLE TORSO SUPPORT

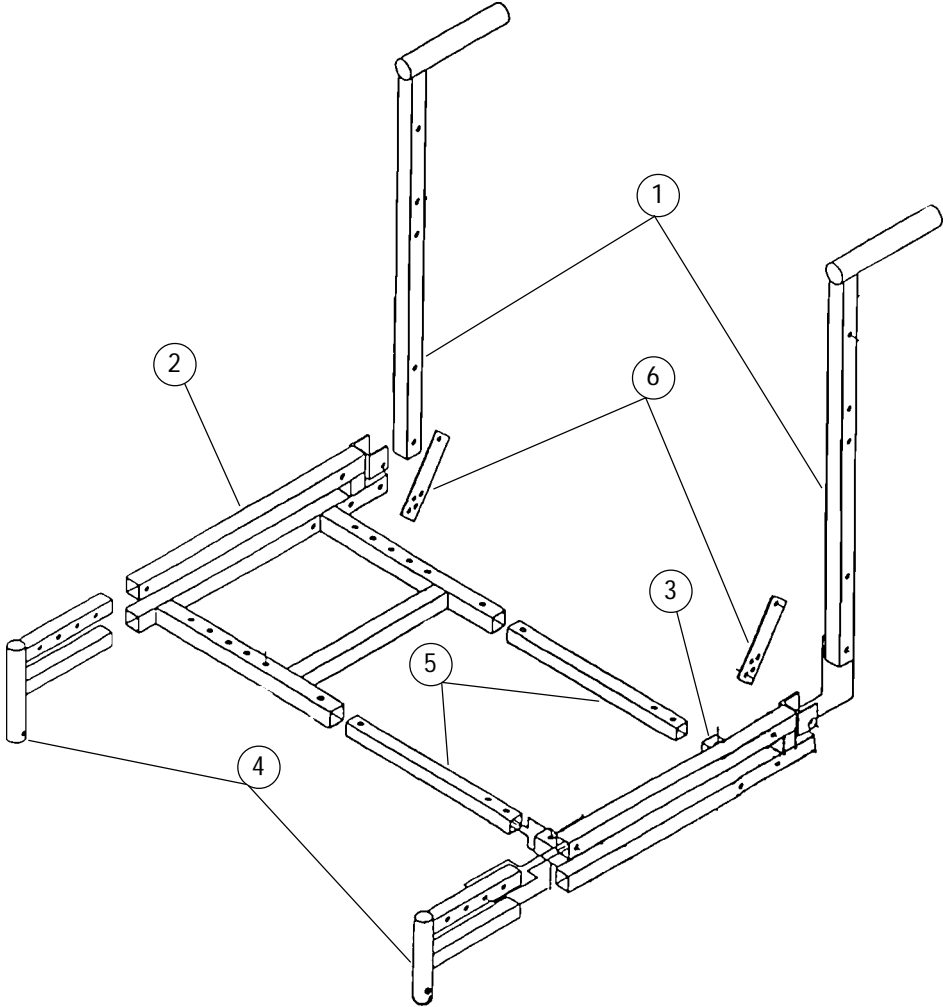


# ADJUSTABLE TORSO SUPPORT

Item Number	Part Number	Description	Quantity
1	◆ 04529X040	Headrest Pad	1
2	1028481	Screw, Socket Head (1/4-20 x 3/8")	1
	60284X000	-Chrome	1
		-Black	1
3	04529X043	Torso Bracket Cover	1
4	03018X043	Headrest Clamp	
	03018X046	-Right -Chrome	1
	1028758	-Left -Chrome	1
	1028759	-Right -Black	1
		-Left -Black	1
5	03018X041	Pad Support Arm	1
6	11232X009	Lug Bolt, (5/16-24 x 1-3/8")	
	1031026	-Chrome	1
		-Black	1
7	7930363	Locknut (5/16"-24)	
	7930330	-Chrome	25
		-Black	25
8	03018X016	Pad Support Arm	1
9	7930328	Screw, Pan Head (10-32 x 11/16")	25
10	03018X012	Support Rod w/Guide Tube	1
11	<del>1028762</del> NLA	Adjustable Torso Support Assembly,	
	<del>1028763</del> NLA	-Right	1
		-Left	1
not shown	1023610	Instruction Sheet	1

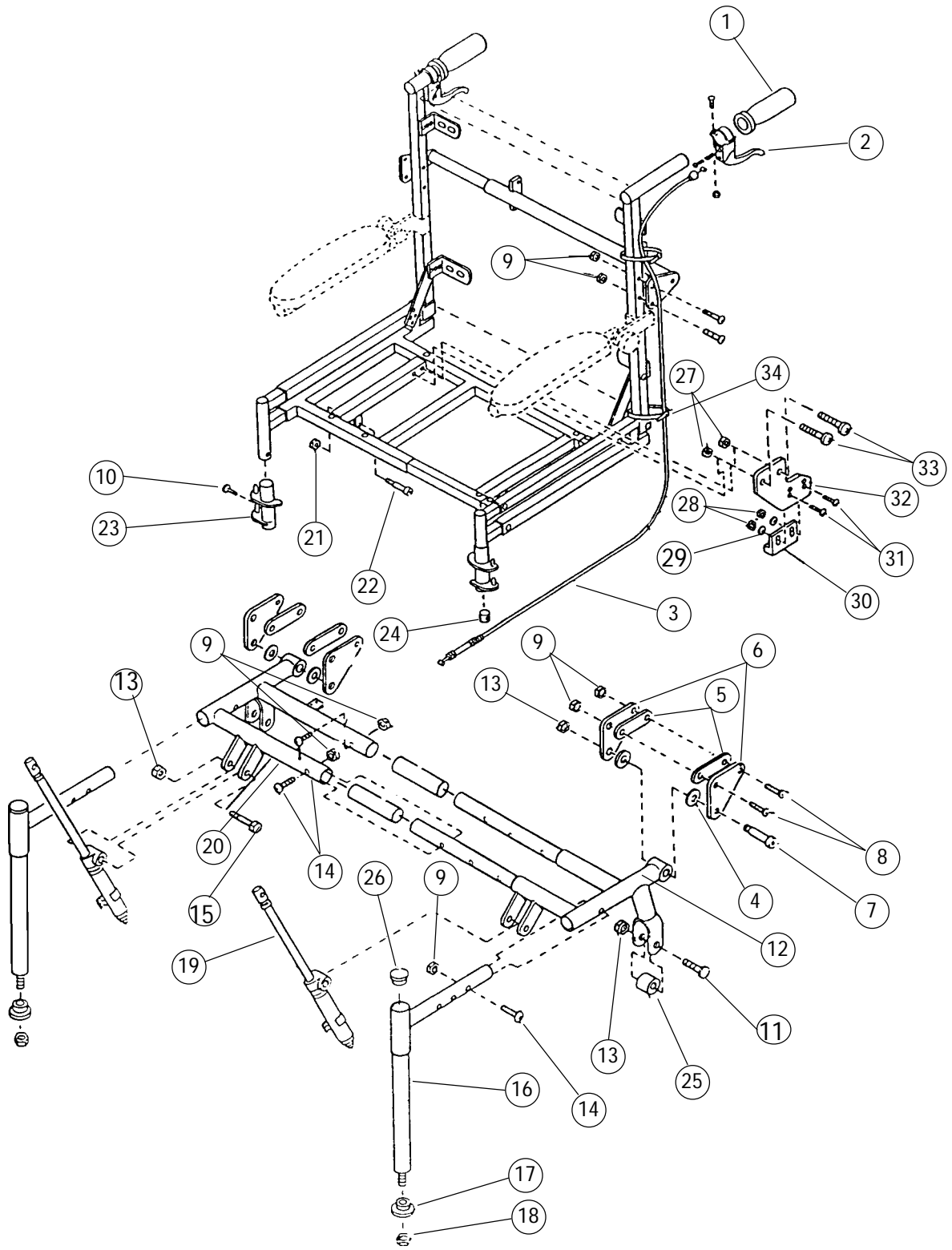
◆ Specify upholstery color. See page 3

# SEAT CAGE FRAME PARTS



Item Number	Part Number	Description	Package Quantity
1	1024012RCNLA	Cane	1
2	1024012RFNLA	Seat Frame-Right	1
3	1024012LFNLA	Seat Frame-Left	1
4	1024012FSNLA	Telescopic Footrest Support	1
5	1024012STNLA	Seat Frame Slide Tube	1
6	1024012MPNLA	Back Mounting Plate	1

# TILT-IN-SPACE SEAT CAGE and BOTTOM FRAME

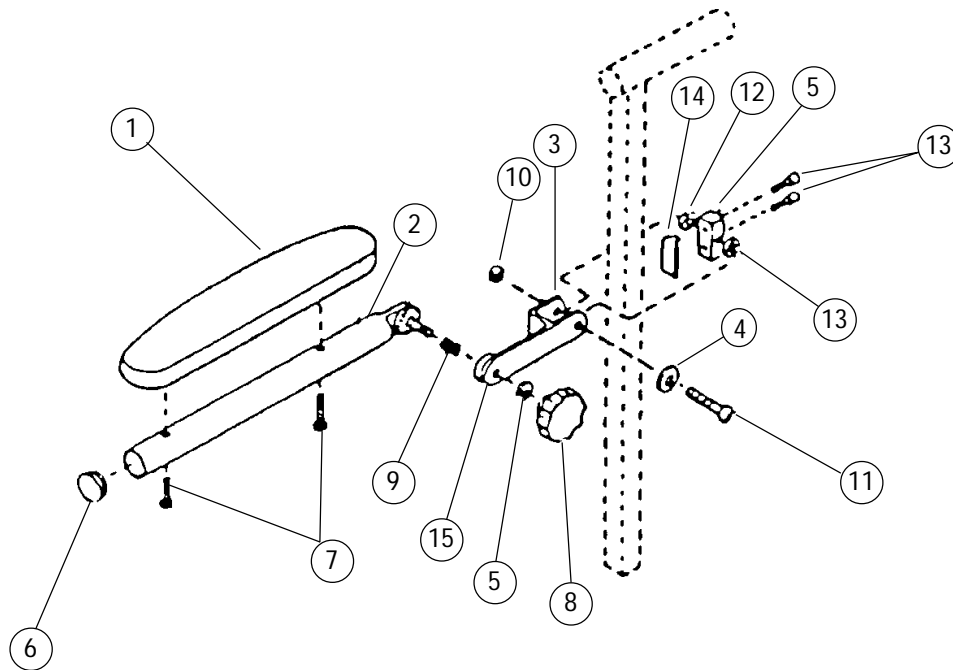


# TILT-IN-SPACE SEAT CAGE and BOTTOM FRAME (continued)

Item Number	Part Number	Description	Package Quantity
1	<del>1022171</del> NLA	Hand Grip	1
2	1023998	Lever -Left	1
	1023999	Lever -Right	1
3	<del>1024038</del> NLA	Cable	1
4	<del>1021371</del> NLA	Washer	1
5	<del>1023842</del> NLA	Spacer Plate	1
6	<del>1023841</del> NLA	Mounting Plate	1
7	90002X000	Screw, Shoulder (3/8 x 1-1/4")	1
8	7930301	Screw, Button Head (1/4-20 x 1-3/4")	25
9	7930307	Locknut (1/4-20)	25
10	1009838	Screw, Button Head (1/4-20 x 3/4")	1
11	11232X009	Screw, Lug (5/16-24 x -3/8")	1
12	<del>1023865</del> NLA	Seat Base-Right	1
13	7930363	Locknut (5/16"-24)	1
14	1008432	Screw, Button Head (1/4-20 x 1-1/4")	1
15	11239X000	Screw, Hex Head (5/16-24 x 1-3/4")	1
16	<del>1023890</del> NLA	Seat Attachment	1
17	<del>1023843</del> NLA	Tube End Cap	1
18	60290X002	Locknut (5/16"-18)	1
19	1024006	Lock Cylinder	1
20	<del>1023864</del> NLA	Seat Base Left	1
21	10092X000	Locknut (10-24)	1
22	1029966	Screw, Shoulder (1/4 x 3/4")	1
23	1023884	Hinge Tube-Right	1
	1023885	Hinge Tube-Left	1
24	1020534	Bushing	1
25	<del>47324X009</del> NLA	Bushing	1
26	1027095	Plug Button (7/8)-Black	1
27	7930365	Locknut (#10)	25
28	1005889	Hex Nut (4-40)	1
29	1008525	Lock Washer (1/8 x 1/4 x 1/64")	1
30	1024001	Actuator	1
31	1013250	Screw, Pan Head (#4-40)	1
32	<del>1023844</del> NLA	Bracket	1
33	11008X001	Screw, Pan Head (10-32 x 1-1/4")	1
34	98007X004	Cable Tie	1
35	<del>1023878</del> NLA	Spacer Tube 2" -For 12"W	1
	<del>1023879</del> NLA	Spacer Tube 4" -For 14"W	1

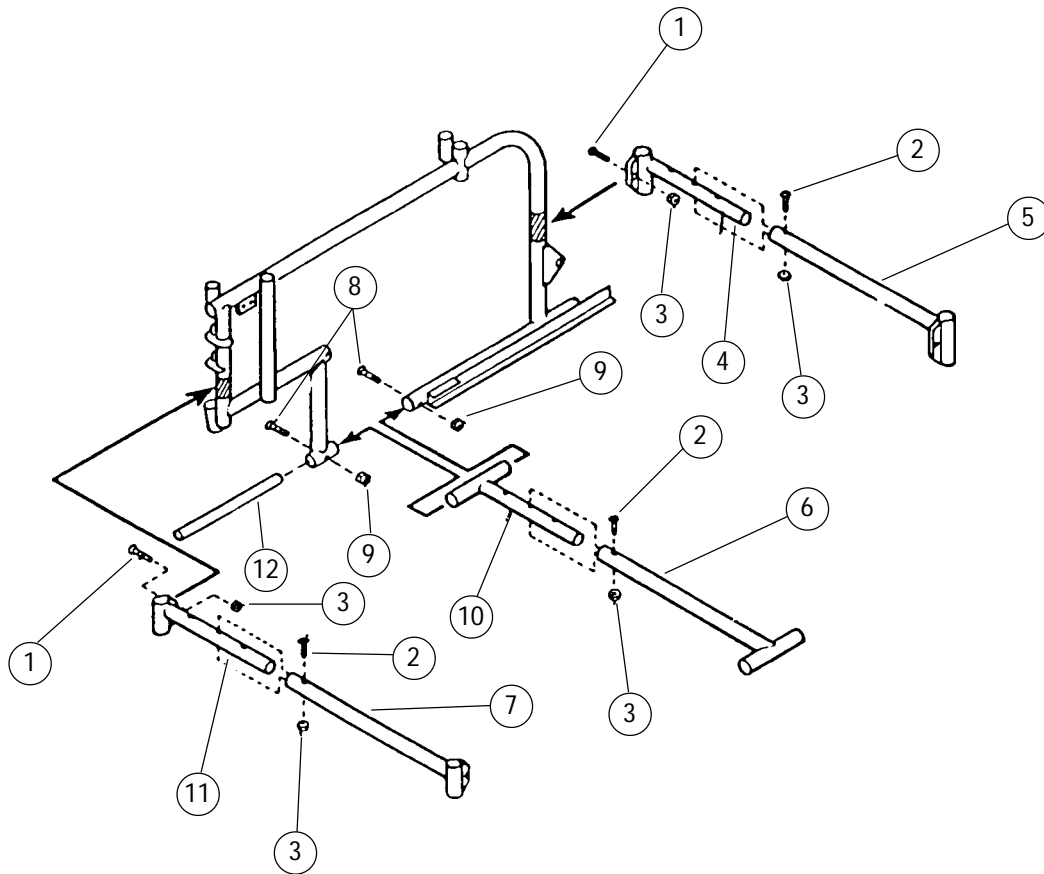
# TILT IN SPACE ARMREST

Update 01/02A



Item Number	Part Number	Description	Package Quantity
1	1011810	Desk Length Armrest (9" L x 2" W)	1
2	<del>1024929</del> NLA	Arm Tube	1
3	1018073	Pivot Joint	1
4	20105X000	Washer, Flat (1/4 x 5/8 x 1/16")	1
5	<del>1024931</del> NLA	Clamp Block	1
6	1027095	Plug Button -Black (7/8")	1
7	11008X001	Screw, Pan Head (10-32 x 1-1/4")	1
8	<del>1024932</del> NLA	Knob	1
9	47471X021	Compression Spring	1
10	7930307	Locknut, (1/4"-20)	25
11	1008495	Screw, Button Head (1/4-20 x 1-1/2")	1
12	40157X004	Spacer, Nylon (33/64 x 7/8 x 5/16")	1
13	60284X001	Screw, Socket Head (1/4-20 x 1/2")	1
14	<del>1024930</del> NLA	Stop Bracket	1
15	<del>1024926</del> NLA	Armrest Pivot	1

# TILT-IN-SPACE CROSSBRACES



Item Number	Part Number	Description	Package Quantity
1	60285X018	Screw, Socket Head (1/4-20 x 1-3/4")	1
2	1008432	Screw, Button Head (1/4-20 x 1-1/4")	1
3	7930364	Locknut (1/4-20)	25
4	1009744	Rear Brace Tube-Inner	1
5	4023850NLA	Rear Brace Tube-Outer	1
6	4023857NLA	Lower Brace Tube-Outer	1
7	4023851NLA	Front Brace Tube-Outer	1
8	7930361	Screw, Pan Head (10-32 x 1-1/8")	25
9	7930365	Locknut (10-32)	25
10	4023868NLA	Lower Brace Tube-Inner	1
11	4023852NLA	Front Brace Tube-Inner	1
12	1002088	Insert Tube	1

# FRONT RIGGINGS TABLE OF CONTENTS

	<b>Page Number</b>
CH93E/JH93E Footrest Assembly .....	56
CH93M/JH93M Footrest Assembly .....	57
CH93S/JH93S Footrest Assembly .....	58
CH94 Legrest Assembly .....	60
CJH94 Legrest Assembly .....	61
JH94 Legrest Assembly .....	62
Footrest and Legrest Accessories .....	64
Pivot Slide Tube and Footplate Assembly	
Footrest .....	59
Legrest .....	63

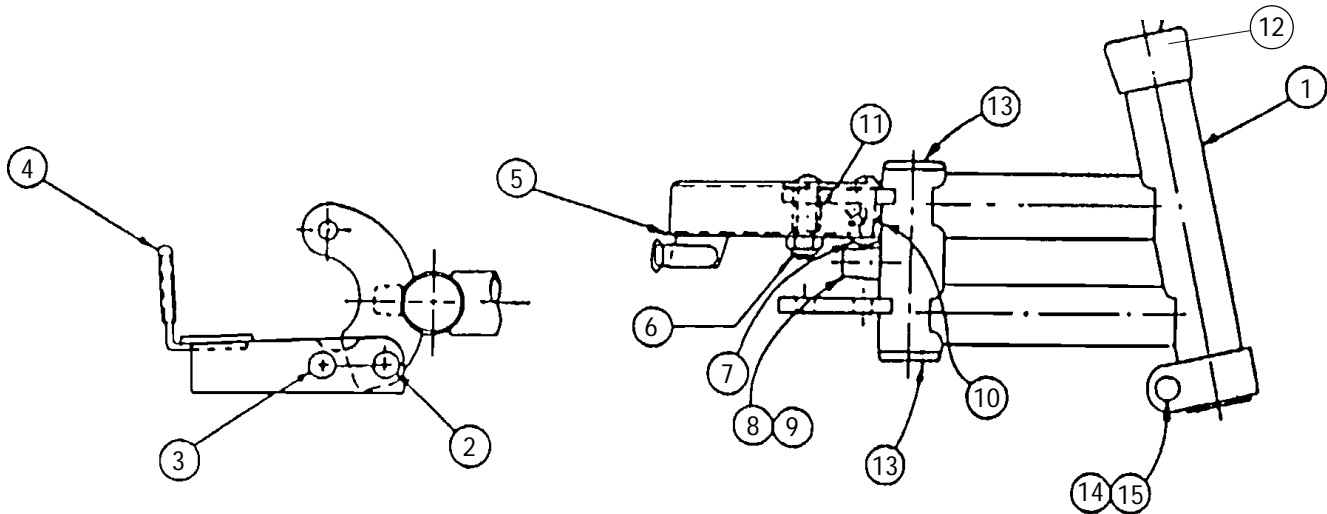


# FOOTREST with ALUMINUM FOOTPLATE

CH93E (12" Wide Chairs)

JH93E (14" and 16" Wide Chairs)

<p><b>Left Support Assembly</b> 1031246 (12"-16" Wide)</p>	<p><b>Right Support Assembly</b> 1031245 (12"-16" Wide)</p>
<p><b>Left Pivot Slide Tube with Aluminum Footplate</b> 1007275 (12" Wide) 1033507 (14" and 16" Wide)</p>	<p><b>Right Pivot Slide Tube with Aluminum Footplate</b> 1007274 (12" Wide) 1033506 (14" and 16" Wide)</p>



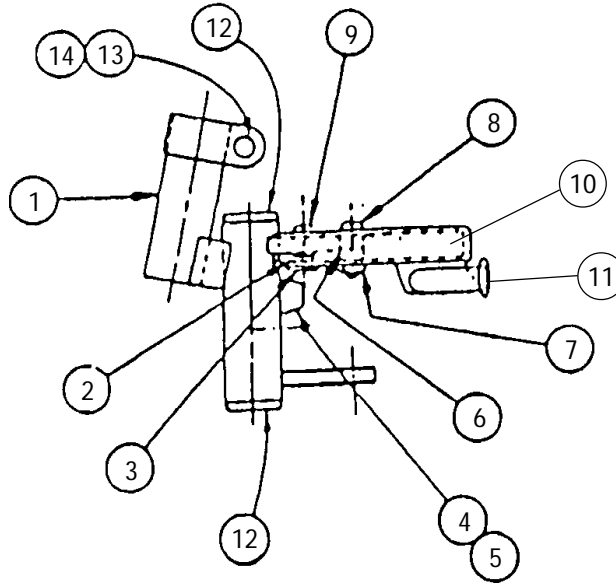
Item Number	Part Number	Description
1	1007123 1007124	Support-Right Support-Left
2	7930359	Screw (10-32 x 1/2") Pkg. of 25
3	7930360	Screw (10-32 x 11/16") Pkg. of 25
4	1006490	Plastic Tip
5	1023428 1023431	Release Handle-Right Release Handle-Left
6	7930365	Locknut (10-32) Pkg. of 25
7	67005X000	Rivnut
8	1030979	Screw (10 x 7/8")
9	1022874	Bumper
10	1008935 1008936	Spring Right Spring -Left
11	47565X057	Bushing
12	15680X012	Anti-Rattle
13	1027095	Plug Button (7/8")
14	11232X009	Screw, Lug (5/16-24 x 1-3/8")
15	7930363	Locknut (3/16-24) Pkg. of 25

# FOOTREST with ALUMINUM FOOTPLATE

## CH93M (12" Wide Chairs)

## JH93M (14" and 16" Wide Chairs)

<b>Left Support Assembly</b> 1031244 (12"-16" Wide)	<b>Right Support Assembly</b> 1031243 (12"-16" Wide)
<b>Left Pivot Slide Tube with Aluminum Footplate</b> 1007275 (12" Wide) 1033507 (14" and 16" Wide)	<b>Right Pivot Slide Tube with Aluminum Footplate</b> 1007274 (12" Wide) 1033506 (14" and 16" Wide)



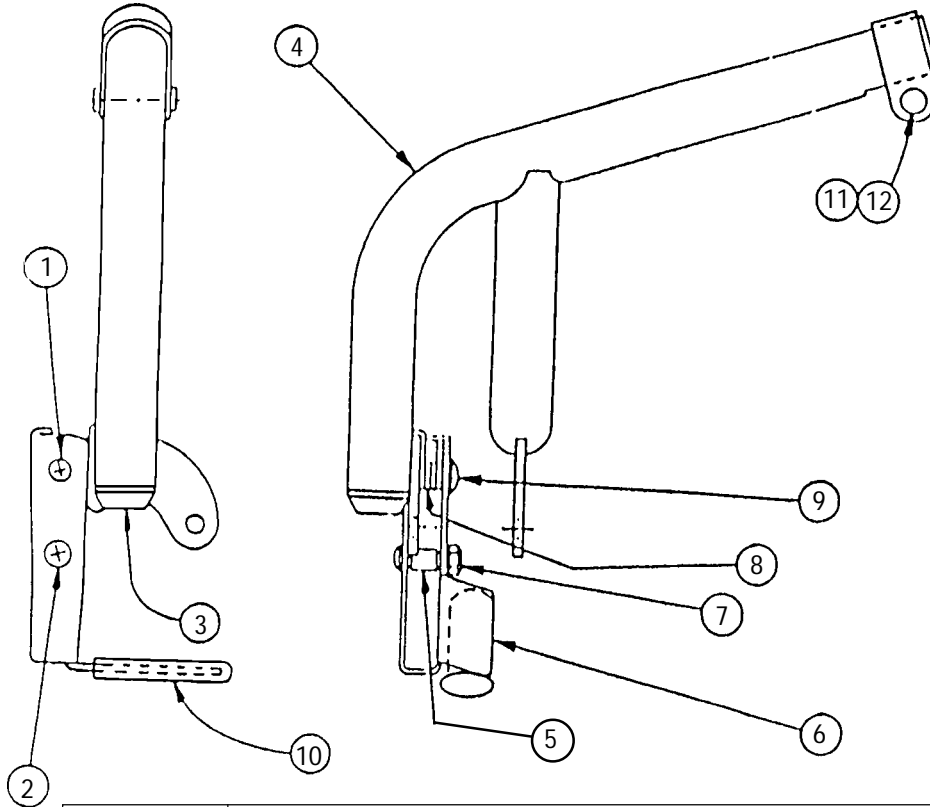
Item Number	Part Number	Description
1	1007113 1007114	SupportRight Support-Left
2	1008935 1008936	Spring-Right Spring-Left
3	67005X000	Rivnut
4	1030979	Screw, Self Tap (10 x 7/8")
5	1022874	Bumper
6	47565X057	Bushing
7	7930365	Locknut (10-32) Pkg. of 25
8	7930360	Screw (10-32 x 11/16") Pkg. of 25
9	7930359	Screw (10-32 x 1/2") Pkg. of 25
10	1023428 1023431	Release Handle-Right Release Handle-Left
11	1006490	Release Handle Tip
12	1027095	Plug Button Black (7/8")
13	11232X009	Screw, Lug (5/16-24 x 1-3/8")
14	7930363	Locknut (5/16-24) Pkg. of 25

# FOOTREST with ALUMINUM FOOTPLATE

## CH93S (12" Wide Chairs)

## JH93S (14" and 16" Wide Chairs)

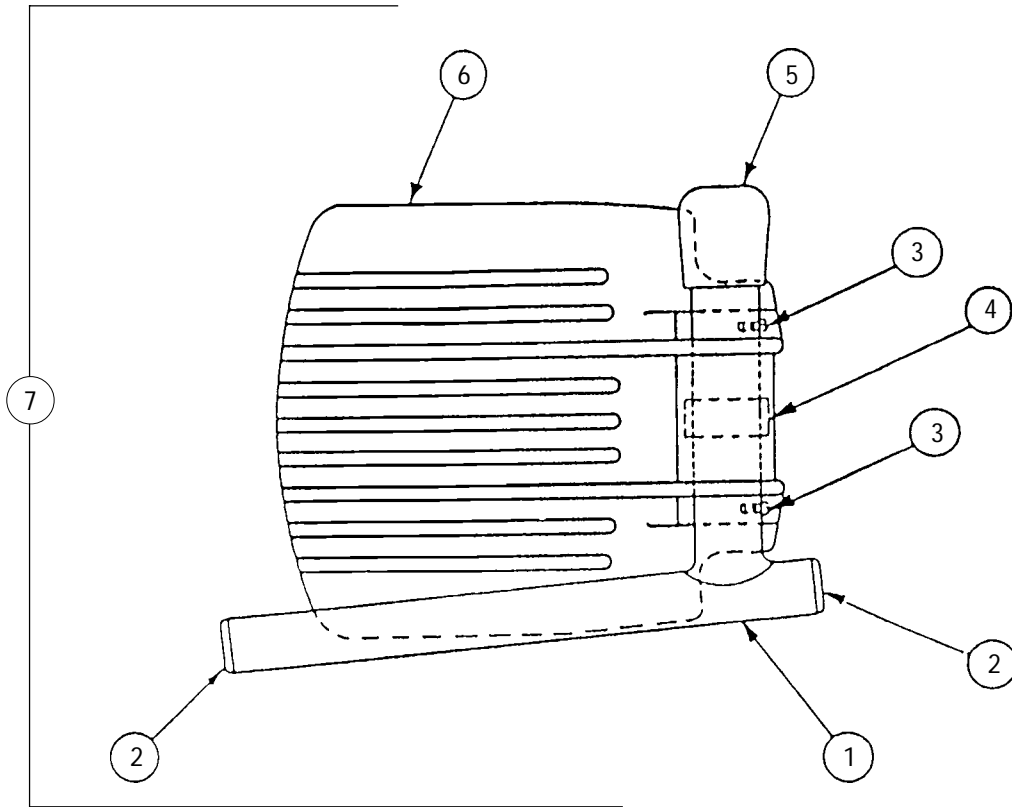
<b>Left Support Assembly</b> 1030707 (12"-16" Wide)	<b>Right Support Assembly</b> 1030706 (12"-16" Wide)
<b>Left Pivot Slide Tube with Aluminum Footplate</b> 1007275 (12" Wide) 1033507 (14" and 16" Wide)	<b>Right Pivot Slide Tube with Aluminum Footplate</b> 1007274 (12" Wide) 1033506 (14" and 16" Wide)



Item Number	Part Number	Description
1	7930359	Screw, Pan Head, (10-32 x 1/2") Pkg. of 25
2	7930360	Screw, Pan Head, (10-32 x 11/16") Pkg. of 25
3	1020719	Anti-Rattle Bumper
4	1020416 1020417	Support Tube-Right Support Tube-Left
5	47565X057	Bushing
6	1023428 1023431	Release Handle-Right Release Handle-Left
7	7930365	Locknut (10-32) Pkg. of 25
8	1008935 1008936	Spring-Right Spring-Left
9	67005X000	Rivnut (10-32)
10	1006490	Plastic Tip
11	11232X009	Screw, Lug (5/16-24 x 1-3/8")
12	7930363	Locknut (5/16"-24) Pkg. of 25

# PIVOT SLIDE TUBE with ALUMINUM FOOTPLATE

CH93E, CH93M, CH93S (12" Wide Chairs)  
 JH93E, JH93M, JH93S (14" and 16" Wide Chairs)  
 (continued)

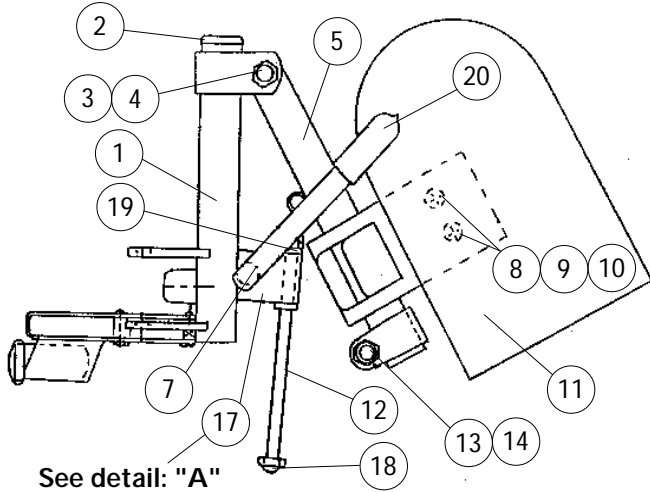


Item Number	Part Number	Description
1	1041528	Pivot & Slide Tube w/Plug Button
2	1027097	Plug Button (3/4")
3	7930354	Screw, Phillips Head (8-32 x 3/8) Pkg. of 25
4	1006981	Spring
5	1016346	Tube End Cap (7/8") Black
6		Footplate
	44200X032	12" Wide
	44200X059	14" and 16" Wide
7		Pivot Slide Tube and Footplate Assembly
		12" Wide (CH93E, CH93M, CH93S)
	1007275	-Left
	1007274	-Right
		14" and 16" Wide (JH93E, JH93M, CH93S)
	1033507	-Left
	1033506	-Right

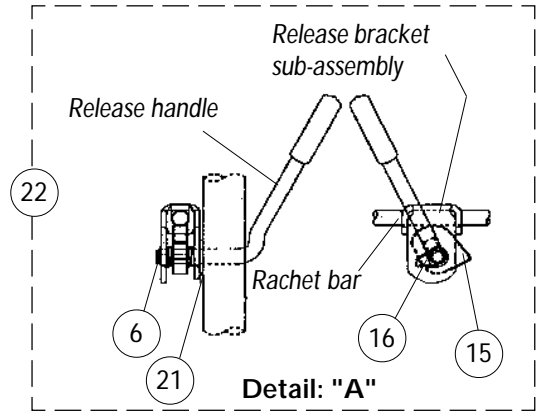
# LEGREST with ALUMINUM FOOTPLATE

## CH94 (12" Wide Chairs)

<b>Left Support Assembly</b> ◆1031239NLA (12" Wide)	<b>Right Support Assembly</b> ◆1031238NLA (12" Wide)
<b>Left Pivot Slide Tube with Aluminum Footplate</b> 1007281 (12" Wide)	<b>Right Pivot Slide Tube with Aluminum Footplate</b> 1007280 (12" Wide)



See detail: "A"



Item Number	Part Number	Description
1	4031231NLA 4031232NLA	Support Tube -Right Support Tube -Left
2	1027095	Plug Button Black (7/8")
3	11919X000	Pivot Bolt (3/8-16x1-1/2")
4	40363X000	Locknut (3/8-16)
5	04526X006 04526X007	Legrest Tube -Right Legrest Tube -Left
6	☞ 1040831 ☞ 40187X000	Snap Ring (After 5/94) Roll Pin (Before 6/94)
7	* 1037126	Release Handle
8	47352X003	Pad Plate Lock
9	47352X004	Clamp
10	7930360	Screw (10-32 x 11/16") Pkg. of 25
11	◆ 04530X003 ◆ 04530X004	Legrest Pad -Right Legrest Pad -Left
12	* 42326X001	Ratchet Bar
13	11232X009	Screw, Lug (5/16 -24 x 1-3/8")
14	7930363	Locknut (5/16-24) Pkg. of 25
15	* 1037125	Legrest Cam
16	* 1037485	Release Spring
17	* 04528X002	Release Bracket Sub-Assembly
18	7930336	Nut, Acorn (5/16-24) Pkg. of 25
19	47330X003	Spacer (5/16 x 1/2 x 3/8")
20	1040060	Protective Tip
21	7930310	Washer, Nylon (5/16 x 11/16 x 1/16") Pkg. of 25
22	1046328	Ratchet Bar Kit (1 Pair) (Includes Items 6,7,12 and 15-21)

◆ Specify upholstery color see page 3.

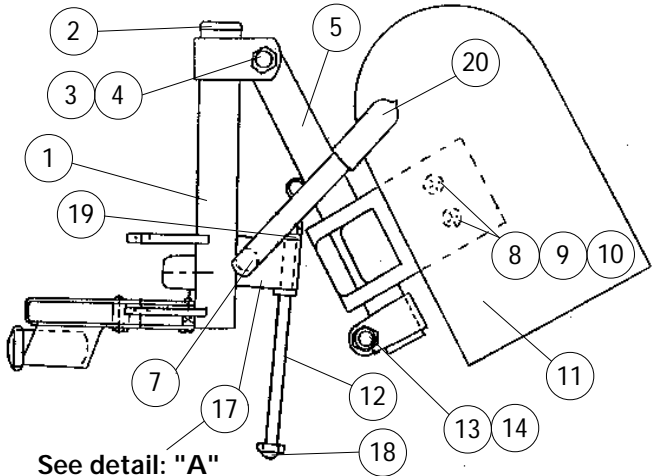
\* Due to product improvement items 7, 12, 15, 16, and 17 are **NLA** for chairs built before 6/94. Ratchet bar kit needs to be ordered for these chairs.

☞ After 5/94, the snap ring replaced the roll pin to attach the release handle to the ratchet.

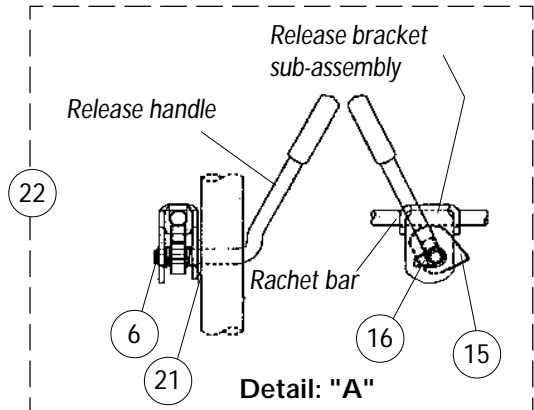
# LEGREST with ALUMINUM FOOTPLATE

## CJH94 (14" Wide Chairs)

<b>Left Support Assembly</b> ◆1031230NLA (14" Wide)	<b>Right Support Assembly</b> ◆1031229NLA (14" Wide)
<b>Left Pivot Slide Tube with Aluminum Footplate</b> 1007272 (14" Wide)	<b>Right Pivot Slide Tube with Aluminum Footplate</b> 1007271 (14" Wide)



See detail: "A"



Item Number	Part Number	Description
1	1031231NLA	Support Tube -Right
	1031232NLA	Support Tube -Left
2	1027095	Plug Button Black (7/8")
3	11919X000	Pivot Bolt (3/8-16x1-1/2")
4	40363X000	Locknut (3/8-16)
5	04526X002	Legrest Tube -Right
	04526X003	Legrest Tube -Left
6	☞ 1040831	Snap Ring (After 5/94)
	☞ 40187X000	Roll Pin (Before 6/94)
7	* 1037126	Release Handle
8	47352X003	Pad Plate Lock
9	47352X004	Clamp
10	7930360	Screw (10-32 x 11/16") Pkg. of 25
11	◆ 04529X003	Legrest Pad -Right
	◆ 04529X004	Legrest Pad -Left
12	* 42326X001	Ratchet Bar
13	11232X009	Screw, Lug (5/16 -24 x 1-3/8")
14	7930363	Locknut (5/16-24) Pkg. of 25
15	* 1037125	Legrest Cam
16	* 1037485	Release Spring
17	* 04528X002	Release Bracket Sub-Assembly
18	7930336	Nut, Acorn (5/16-24) Pkg. of 25
19	47330X003	Spacer (5/16 x 1/2 x 3/8")
20	1040060	Protective Tip
21	7930310	Washer, Nylon (5/16 x 11/16 x 1/16") Pkg. of 25
22	1046328	Ratchet Bar Kit (1 Pair) (Includes Items 6,7,12 and 15-21)

◆ Specify upholstery color see page 3.

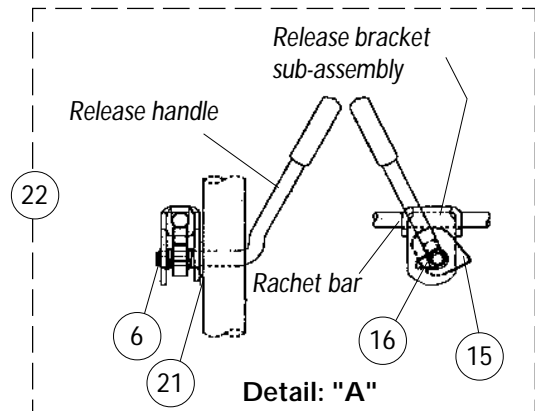
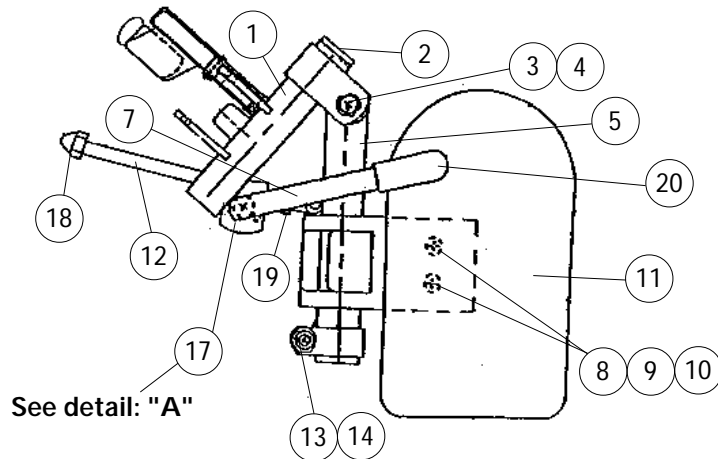
\* Due to product improvement items 7, 12, 15, 16, and 17 are **NLA** for chairs built before 6/94. Ratchet bar kit needs to be ordered for these chairs.

☞ After 5/94, the snap ring replaced the roll pin to attach the release handle to the ratchet.

# LEGREST with ALUMINUM FOOTPLATE

## JH94 (14" and 16" Wide Chairs)

<b>Left Support Assembly</b> ◆1031222NLA (14" and 16" Wide)	<b>Right Support Assembly</b> ◆1031221NLA (14" and 16" Wide)
<b>Left Pivot Slide Tube with Aluminum Footplate</b> 1007272 (14" and 16" Wide)	<b>Right Pivot Slide Tube with Aluminum Footplate</b> 1007271 (14" and 16" Wide)



Item Number	Part Number	Description
1	1031210	Support Tube -Right
	1031211	Support Tube -Left
2	1027095	Plug Button Black (7/8")
3	11919X000	Pivot Bolt (3/8-16x1-1/2")
4	40363X000	Locknut (3/8-16)
5	04526X002	Legrest Tube -Right
	04526X003	Legrest Tube -Left
6	☞ 1040831	Snap Ring (After 5/94)
	☞ 40187X000	Roll Pin (Before 6/94)
7	* 1037126	Release Handle
8	47352X003	Pad Plate Lock
9	47352X004	Clamp
10	7930360	Screw (10-32 x 11/16") Pkg. of 25
11	◆ 04529X003	Legrest Pad -Right
	◆ 04529X004	Legrest Pad -Left
12	* 42326X001	Ratchet Bar
13	11232X009	Screw, Lug (5/16 -24 x 1-3/8")
14	7930363	Locknut (5/16-24) Pkg. of 25
15	* 1037125	Legrest Cam
16	* 1037485	Release Spring
17	* 04528X002	Release Bracket Sub-Assembly
18	7930336	Nut, Acorn (5/16-24) Pkg. of 25
19	47330X003	Spacer (5/16 x 1/2 x 3/8")
20	1040060	Protective Tip
21	7930310	Washer, Nylon (5/16 x 11/16 x 1/16") Pkg. of 25
22	1046328	Ratchet Bar Kit (1 Pair) (Includes Items 6,7,12 and 15-21)

◆ Specify upholstery color see page 3.

\* Due to product improvement items 7, 12, 15, 16, and 17 are **NLA** for chairs built before 6/94. Ratchet bar kit needs to be ordered for these chairs.

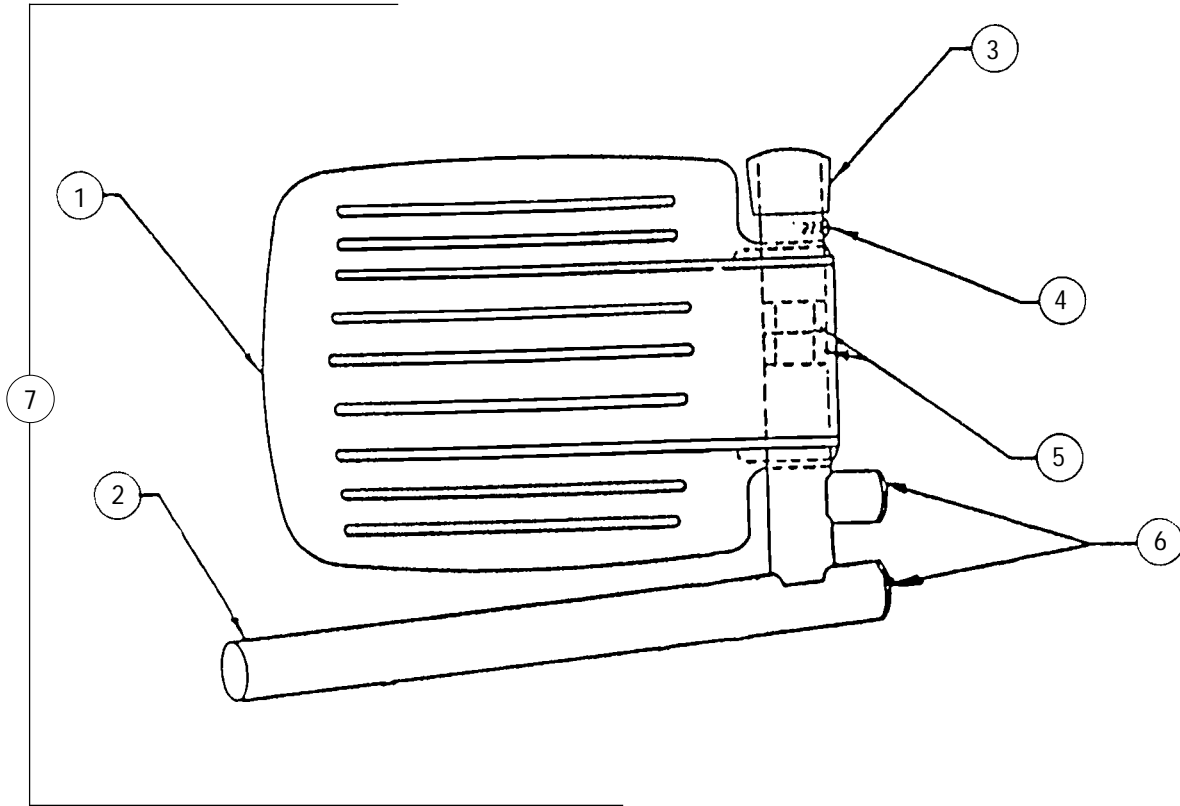
☞ After 5/94, the snap ring replaced the roll pin to attach the release handle to the ratchet.

# PIVOT SLIDE TUBE with ALUMINUM FOOTPLATE

CH94 (12" Wide Chairs)

CJH94 (14" Wide Chairs)

JH94 (14" and 16" Wide Chairs)



Item Number	Part Number	Description
1	44200X032 44200X059	Footplate 12" Wide (CH94) 14" and 16" Wide (CJH94, JH94)
2	1041775	Pivot & Slide Tube w/Plug Button
3	40186X019	Tube End Cap (7/8") 12" Wide (CH94), Grey 14" and 16" Wide (CJH94, JH94), Black
4	1016346	Screw, Phillips Head Self Tap(8-32 x 3/8") Pkg. of 25
5	7930354	Spring
6	1006981	Plug Button Black (3/4")
7	1027097	Pivot Slide Tube and Footplate Assembly
	1007281	12" Wide (CH94) -Left
	1007280	-Right
	1007272	14" and 16" Wide (CJH94, JH94) -Left
	1007271	-Right



# FOOTREST and LEGREST ACCESSORIES

Part Number	Description	Package Quantity
1036657	Calf Strap with/Velcro -12-14" wide chairs	1
1035902	-16" wide chairs	1
1035905	Heel Loops (without hardware)	1
1035906	Heel Loops with/Ankle Straps (without hardware)	1 pair
1035926	Heel Loop Attaching Hardware	1 pair
1034206	Non Removable Device	1 pair
1037087	Toe Loops (without hardware)	1 pair
1037088	Toe Loop Attaching Hardware	1 pair

Invacare Corporation [www.invacare.com](http://www.invacare.com)

---



**Yes, you can.™**

USA  
One Invacare Way  
Elyria, OH USA  
44036-2125  
800-333-6900

Invacare and Arrow are registered trademarks and Ranger X, Yes, you can. are trademarks of Invacare Corporation. Bussman is a registered trademark of Cooper Industries. Dynamic is a registered trademark of Dynamic Controls Limited.

Information is subject to change without notification.  
©2001 Invacare Corporation Form No. 91-157 (Rev 5/01)