

Elan Series Beds

Discontinued



**For Customer Service Support call:
1-800-333-6900**

**For Faxed In Parts Orders call:
1-800-678-4682
or
1-440-366-0709**

**Literature can be found at:
www.invacare.com or
1-800-828-6282**

**For Technical Support call:
1-800-321-5630**

<i>SALES REPRESENTATIVES NAME</i>	<i>PHONE NUMBER</i>

DON'T FORGET, HAVE THE MODEL AND SERIAL NUMBER READY BEFORE CALLING.

NOTICE: *THE INFORMATION CONTAINED IN THIS DOCUMENT IS SUBJECT TO CHANGE WITHOUT NOTICE.*

TABLE OF CONTENTS

	Page Number
Bed Accessories	15
7200 LT/DK Bed Ends	10
7300LT/DK Head End	6
7300LT/DK Foot End	8
Bed Model and Component Numbers.....	4
Drive Shafts	13
Elan Single Drive Bed.....	11
Head/Foot Springs.....	5
Junction Box Identification	13
Packaging and Literature	3
Pendants.....	12
Plug Style Identification	14
Quick Reference Guide	4

PACKAGING and LITERATURE

Part Number	Description
51000M308 51000M309 51000M301	Bed End Carton, Head or Foot Carton Inserts, 2 per Carton Plastic Bag
53000M818 53000M820	Carton, All Headsprings Carton, Footspring
54000M719	Owner's Manual

BED MODEL and COMPONENT NUMBERS

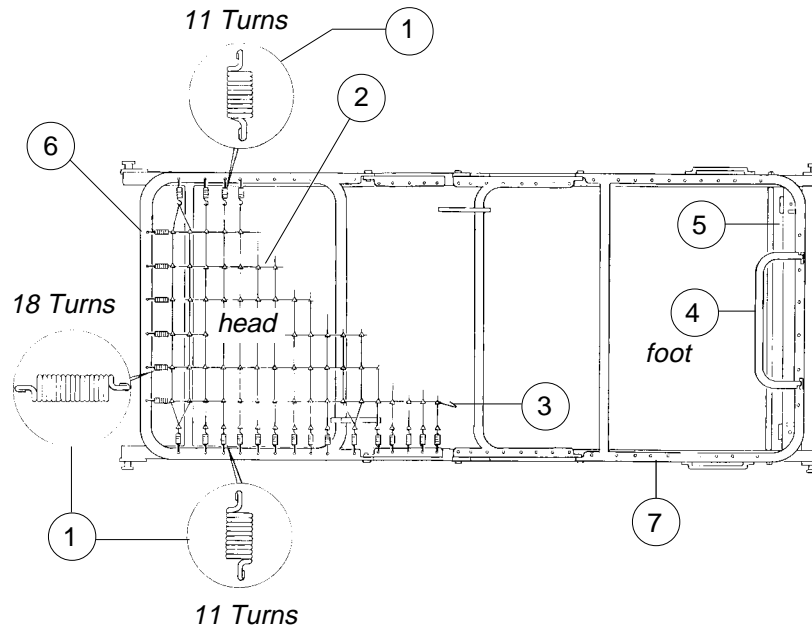
ELAN SERIES Single Drive Split Spring Models

Bed Style	Model Number	Springs		Bed Ends
		Head	Foot	
Independent, Beige Pinned Height	ES1000LT	5000LT	7050LT	7200LT
Single Drive, Beige Pinned Height	ES2000LT	5000LT	8050LT	7200LT
Single Drive, Brown Pinned Height	ES2000DK	5000	8050DK	7200DK
Single Drive, Beige Single Crank Hi/Lo	ES3000LT	5000LT	8050LT	7300LT
Single Drive, Brown Single Crank Hi/Lo	ES3000DK	5000	8050DK	7300DK

QUICK REFERENCE GUIDE

BED MODELS	FOOT SPRING	PLUG TYPE	PENDANT	JUNCTION BOX	MOTORS
SINGLE DRIVE (ELAN SERIES)					
ES2000LT ES3000LT	8050LT	Molex Plug	Low Voltage 54000M678 2-Way	NOT NEEDED	Head Motor with Tube 7001M290 Foot Drive 7001M291
ES2000DK ES3000DK	8050DK	Molex Plug	Low Voltage 54000M678 2-Way	NOT NEEDED	Head Motor with Tube 7001M267 Foot Drive 7001M263
ES1000	7050LT	Rectangular Plug	Low Voltage 5511M004 NLA 7001M298 4-Way	5511M003	Head Motor with Tube 5880M067 Foot Motor with Tube 5880M068

HEAD/FOOT SPRINGS



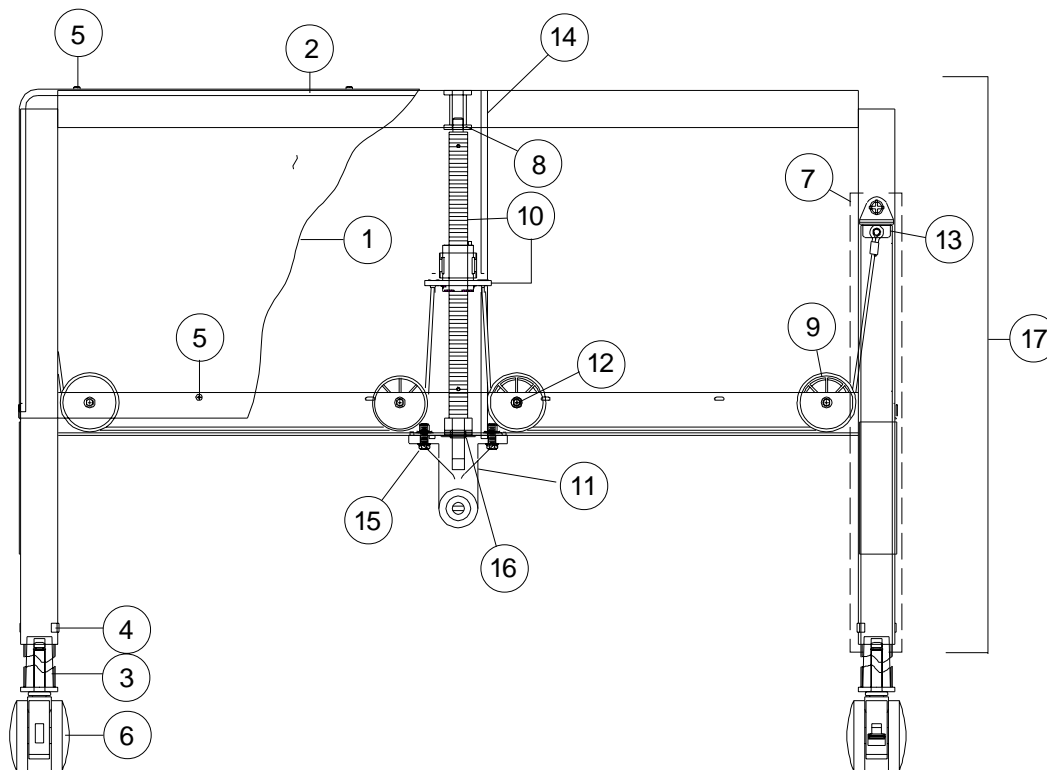
BED SPRINGS

Spring	Head	Foot
ES1000LT/DK ES2000, ES3000LT/DK	5000/5000LT 5000/5000LT	7050/5890 8050LT/DK

NOTE: To convert a split spring model bed (1ea Head Spring and 1ea Foot Spring) into a single spring model bed, order 2ea. 51000M885 Screw, Flange Head (5/16-18 x 3/4") and 2ea. 53000M434 Locknut (5/16-18).

Item Number	Part Number	Description	Package Quantity
1	51000M135	Helical Spring (11 turns)	1
	51000M136	(18 turns)	1
2	51000M133	Link Fabric - Head (16 x 7)	1
	51000M134	- Foot (19 x 7)	1
3	51000M013	Center Link	1
4	51000M158NLA 026159	Mattress Stop	1
5	51000M225	Motor Guard	1
6	5000	Bed Spring Frame with Fabric - Head	1
7	5770M000	Bed Spring Frame with Fabric - Foot	1
not shown		Touch Up Paint	1
	52000M043	Brown	
	52000M334	Beige	

7300 LT/DK BED ENDS (Head End)



NOTE: S-Clip for Panels, Part # 51000M426.

Item Number	Part Number	Description	Package Quantity
1	51000M087 54000M709	Decorative Panel, Head End Dark Walnut Light Oak	1
2	51000M091	Decorative Trim, Head End (Vinyl)	1
3	51000M083	Caster Socket	1
4	51000M581	Leg Guide	1
5	51000M908	Screw, (#6-5/16)	1
6	54000M446 54000M445	Caster with Brake Caster without Brake	1 1
7	★5300M022 ★7100M273	Inner Leg Sub Assembly with Cable Brown Beige	1
8	51000M589	Sleeve Bearing	1
9	51000M508	Cable Pulley	1

★ Items 3, 4, and 6 not included.

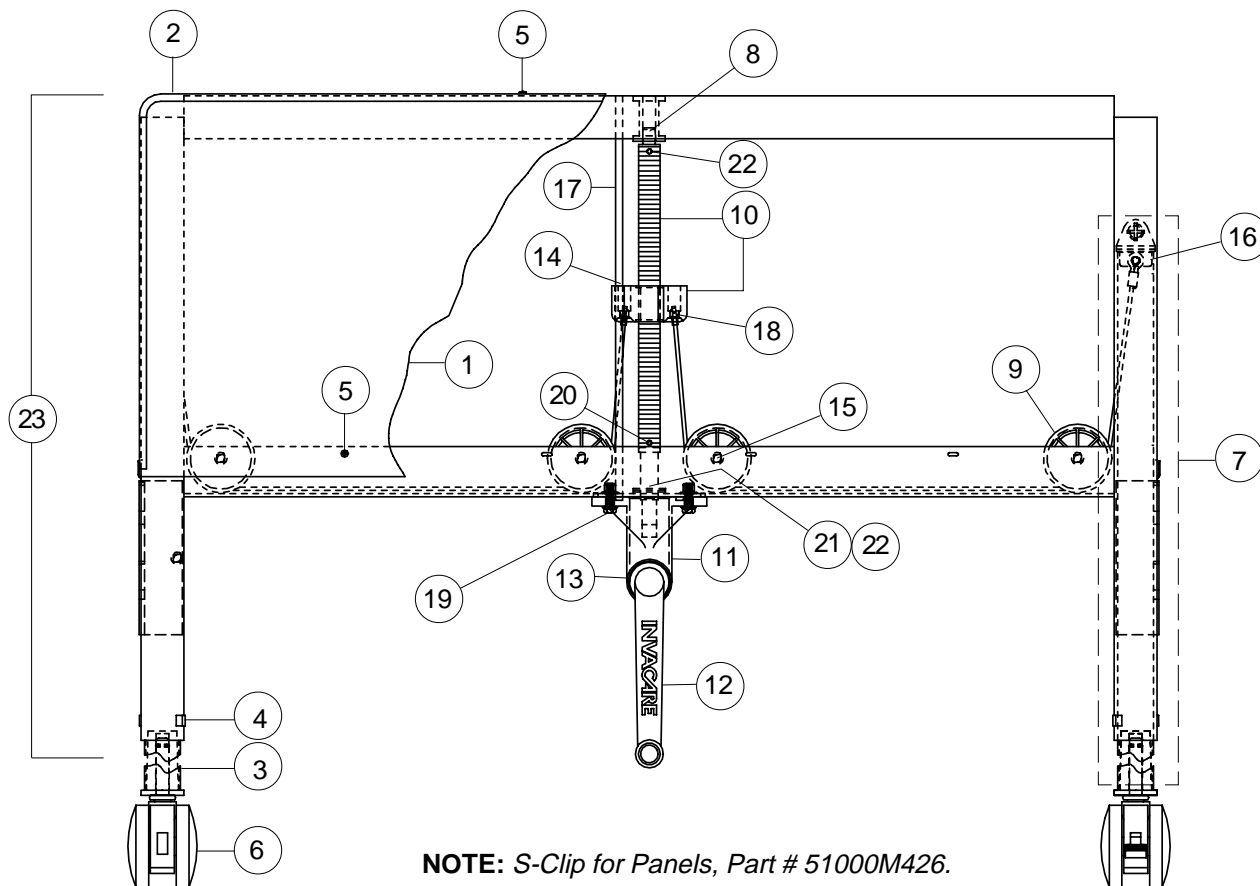
NOTE: Items 10 - 17 are found on page 7.

7300 LT/DK BED ENDS (Head End - continued)

Item Number	Part Number	Description	Package Quantity
10	⊕52000M137	Screw & Slip Nut Assembly Kit - Head End Assembly Includes: 2 ea. Roll Pin 1 ea. Nut Housing Weldment 2 ea. Pressure Plate 1 ea. Acme Screw 1 ea. Thrust Bearing 1 ea. Slip Nut Assembly 2 ea. Spring Clips 2 ea. Push-In Plugs	1
11	5300M006	Gear Box, Head End - Semi/Full Electric	1
12	53000M989	Square Head Rivet	1
13	51000M064	Retaining Spring, Leg	1
14	51000M088	Long Guide Rod, Head End	1
		Gear Box Hardware	
15	54000M497	Screw, Hex Head (1/4-20 x 3/4")	1
16	53000M803	Thrust Bearing	1
17	52000M219	Semi/Full Electric Head End Assembly without Casters	1

⊕ *This kit includes all parts and instructions to upgrade Non-Synchronized bed ends to Synchronized bed ends.*

7300 LT/DK BED ENDS (Foot End)



NOTE: S-Clip for Panels, Part # 51000M426.

Item Number	Part Number	Description	Package Quantity
1	51000M076 54000M710	Decorative Panel, Foot End Dark Walnut Light Oak	1
2	51000M080	Decorative Trim, Foot End (Vinyl)	1
3	51000M083	Caster Socket	1
4	51000M581	Leg Guide	1
5	51000M908	Screw, (6-5/16)	1
6	54000M446 54000M445	Caster with Brake After 9/94 Caster without Brake After 9/94	1 1
7	5300M022 7001M273	Inner Leg Sub-Assembly with Cable Beige Brown	1
8	51000M589	Sleeve Bearing	1
9	51000M508	Cable Pulley	1

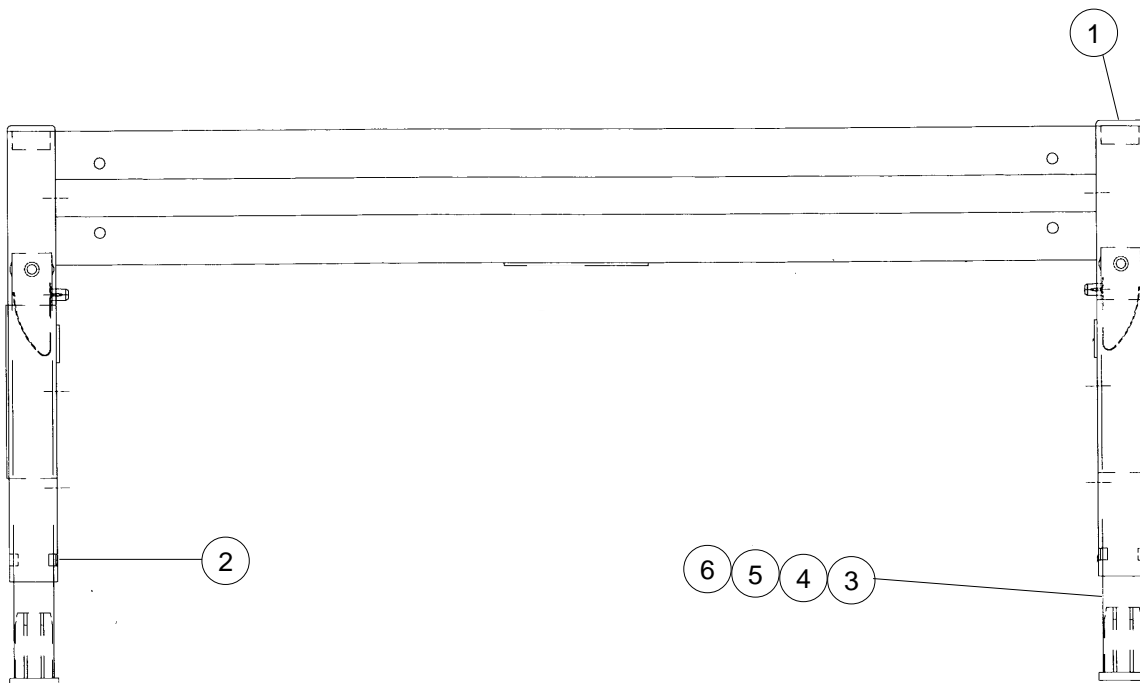
NOTE: Items 10 - 23 are found on page 9.

7300 LT/DK BED ENDS (Foot End - continued)

Item Number	Part Number	Description	Package Quantity
10	5300M014	Screw & Cable Guide Nut Kit Assembly Includes: 1 ea. Cable Guide Nut 1 ea. Acme Screw 3/4-6 2 ea. Washer 2 ea. Roll Pin	1
	⊛ 52000M138	Screw & Cable Guide Nut Kit Assembly Includes: 2 ea. Washer 2 ea. Set Screw 2 ea. Spring 1 ea. Screw & Cable Guide Nut	1
11	5300M005	Gear Box with Crank, Semi Electric	1
12	5300M053	Gear Box Crank	1
13	53000M433	Roll Pin	1
14	54000M661	Cork Stopper	1
15	53000M989	Square Head Rivet	1
16	51000M064	Retaining Spring, Leg	1
17	51000M075	Short Guide Rod	1
18	51000M004	Washer, Slotted	1
		Gear Box Hardware	
19	54000M497	Screw, Hex Head (1/4-20 x 3/4")	1
20	51000M726	Roll Pin 5400, 5300	1
21	51000M142	Plate Bearing	1
22	51000M143	Thrust Bearing	1
23	52000M218	Semi Electric Foot End Asm. without Casters	1

⊛ *This kit includes all parts and instructions to upgrade Non-Synchronized bed ends to Synchronized bed ends.*

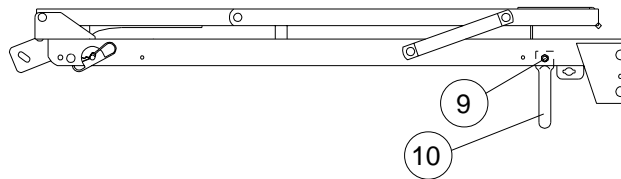
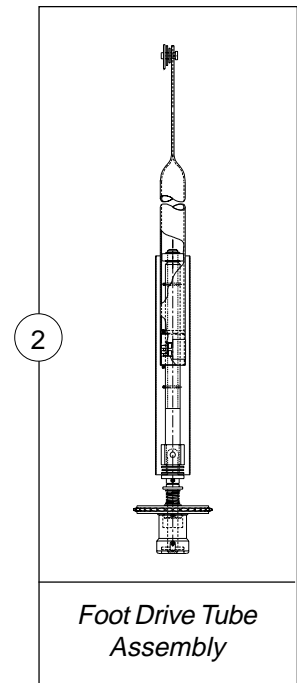
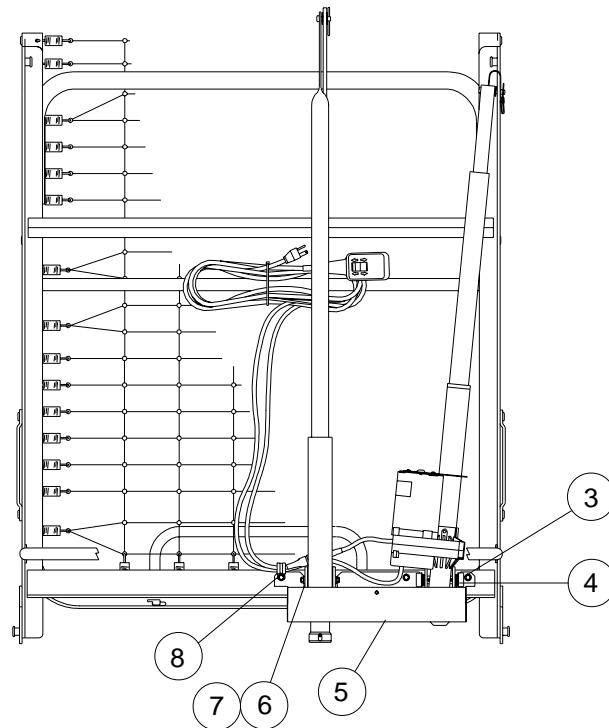
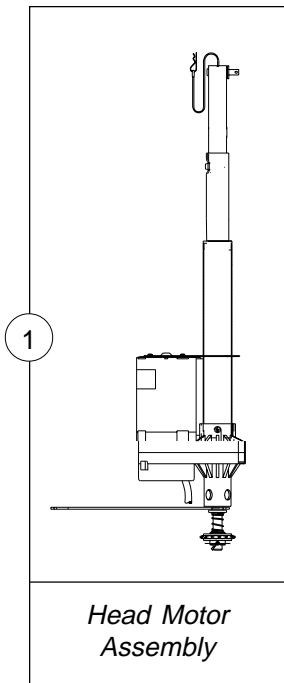
7200 LT/DK BED ENDS



Item Number	Part Number	Description	Package Quantity
1	54000M691	Tube Closure (1-1/2 X 1-1/2")	1
2	51000M581	Leg Guide	1
3	⊕7001M266	Inner Leg Assembly	1
4	51000M083	Caster Socket	1
5	54000M688	Inner Leg	1
6	54000M695	Button, Spring	1

⊕ Assembly includes parts 4,5 and 6.

ELAN SINGLE DRIVE BED MOTORS and COMPONENTS



Item Number	Part Number	Description	Package Quantity
1	7001M267	Motor Assembly Brown	1
	7001M290	Beige	
2	7001M263	Foot Drive Tube Assembly Brown	1
	7001M291	Beige	
3	54000M515	Screw, Hex Head Self-Tapping (1/4-20 x 3/4")	1
4	5300M054	Motor Mount	1
5	54000M721	Front Cover Brown	1
	54000M738	Beige	
6	54000M641	Screw, Hex Head (5/16-18 x 1")	1
7	51000M530	Sleeve Bushing	1
8	54000M493	Clamp, Cable	1
9	53000M434	Locknut (5/16-18)	1
10	54000M492	Motor Guard Brown	1
	54000M714	Beige	

PENDANTS

SEMI-ELECTRIC



7001M298

(Rectangular Plug)
Low Voltage

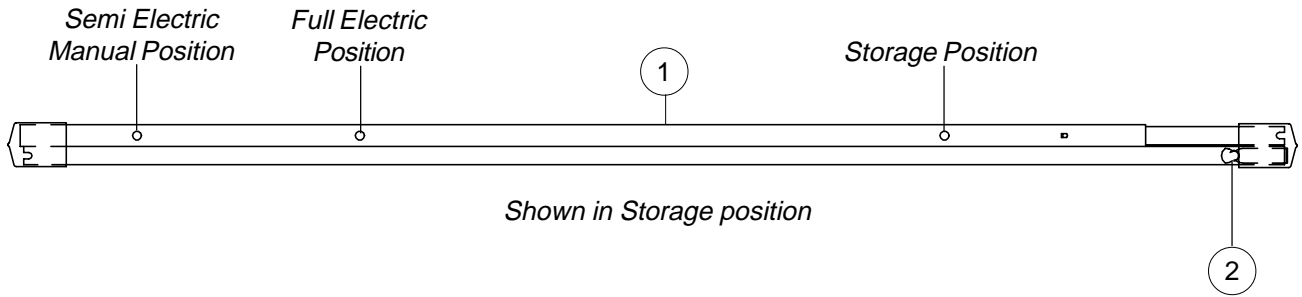
SINGLE DRIVE



54000M678

(Molex Plug)
Low Voltage

DRIVE SHAFTS



Item Number	Part Number	Description	Package Quantity
1	7000M585 7001M278	Drive Shaft Assembly Brown Beige	1
2	40188X009	Snap Button	1

JUNCTION BOX IDENTIFICATION

(CURRENT PRODUCTION)

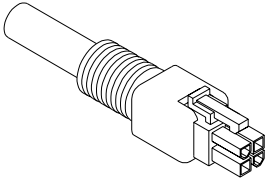
Low Voltage Square Plug
Foot Spring: 7050LT

The diagram shows a cross-section of a junction box. It has a flat top surface. Inside, there are several electrical components: a square plug on the left, followed by three smaller square components, and a larger rectangular component on the right. The box has a recessed bottom and a sloped side.

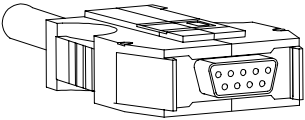
Semi Electric:
Junction Box (4-Way)
★ 7001M304

★ As of 7/98, Flat Motor Plug replaced by new Square Motor Plug. Adapter Cord (52000M600) must be ordered to connect new Square Plug Motor to old Rectangle Plug Junction Box. See Quick Reference Chart, pg. 4.

PLUG STYLE IDENTIFICATION

MOTOR PLUG
Low Voltage Square Plug Foot Spring: 7050, 8050LT, 8050DK
Head Motor: 7001M300 Foot Motor: 7001M305 Hi/Lo Motor: 7001M308

CURRENT PRODUCTION
⊕ 52000M600 Adapter Cord

⊕ *As of 7/98, Flat Motor Plug replaced by new Square Motor Plug. Adapter Cord (52000M600) must be ordered to connect new Square Plug Motor to old Rectangle Plug Junction Box. See Quick Reference Chart, pg. 4.*

PENDANT PLUG
Low Voltage Rectangular Plug Foot Spring: 7050, 8050LT, 8050DK

CURRENT PRODUCTION
Semi Electric: 5511M004NLA 7001M298

BED ACCESSORIES

Bed Buggy (5140)

Part Number	Description	Package Quantity
51000M788	Button Spring Clip	1
53000M536	Wheel (10")	1
53000M537	Hitch Pin	1
53000M535	Instruction Sheet	1

STOR-A-BED KIT (5142)

Part Number	Description	Package Quantity
15108X000	Locknut (1/4 - 20)	1
53000M409	Screw, Flat Head (1/4 - 20 x 1-1/2")	1
7000M462	Rail	1
53000M691	Instruction Sheet	1

84" EXTENSION KIT (5143)

Part Number	Description	Package Quantity
51000M135	Helical Spring (11 Turns)	1
51000M885	Bolt (5/16 - 18 x 3/4")	1
53000M434	Locknut (5/16 - 18)	1
53000M699	Link Fabric Extension	1
7000M465	Extension Only - Left	1
7000M466	Extension Only - Right	1
7000M713	Drive Shaft Assembly	1
7000M469	Pull Tube End Assembly	1
53000M701	Instuction Sheet	1



Yes, you can.™

Invacare Corporation www.invacare.com

One Invacare Way
Elyria, Ohio USA
44036-2125
800-333-6900

Technical Support
800-832-4707
Florida Technical Support
407-321-5630

Customer Service
800-333-6900

Invacare is a registered trademark
of Invacare Corporation.
© 1999 Invacare Corporation
Form No 98-292 Rev 2/99