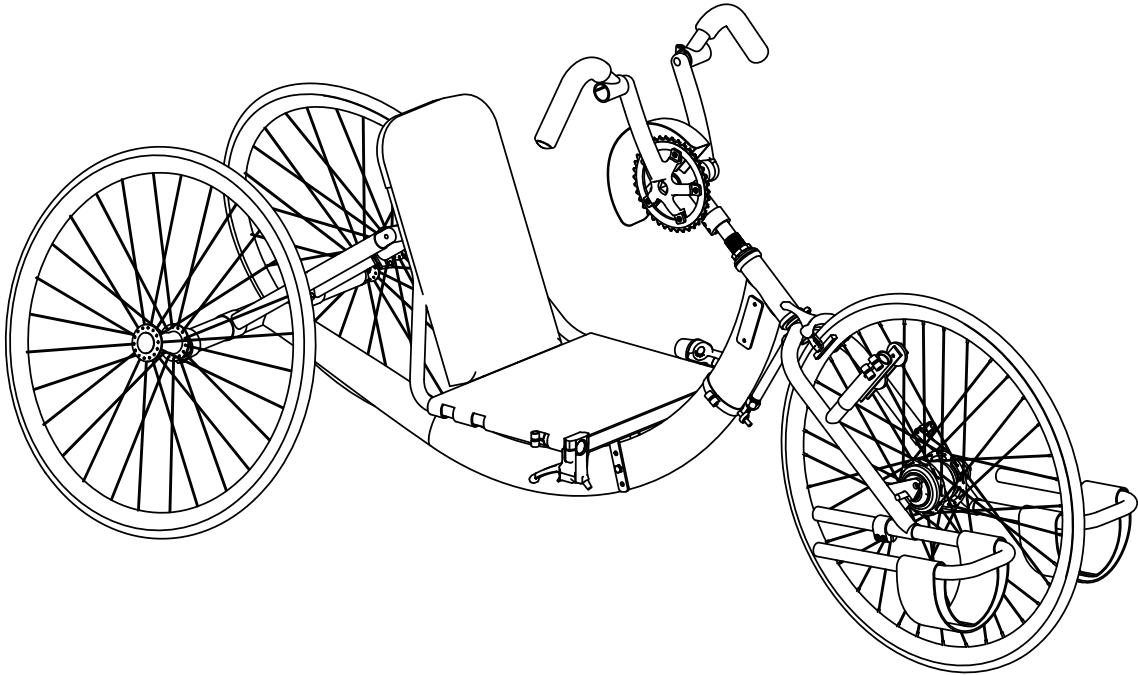




Sports and Recreation Products  
4501 63rd Circle North  
Pinellas Park, FL 33781  
(800) 532-8677 (727) 522-8677  
Fax: (727) 522-1007  
[www.topendwheelchair.com](http://www.topendwheelchair.com)

# Invacare Top End Parts Catalog XLT XLT Jr.





Sports and Recreation Products  
 4501 63rd Circle North  
 Pinellas Park, FL 33781  
 (800) 532-8677 (727) 522-8677  
 Fax: (727)522-1007  
 www.topendwheelchair.com

# Parts Order Diagram

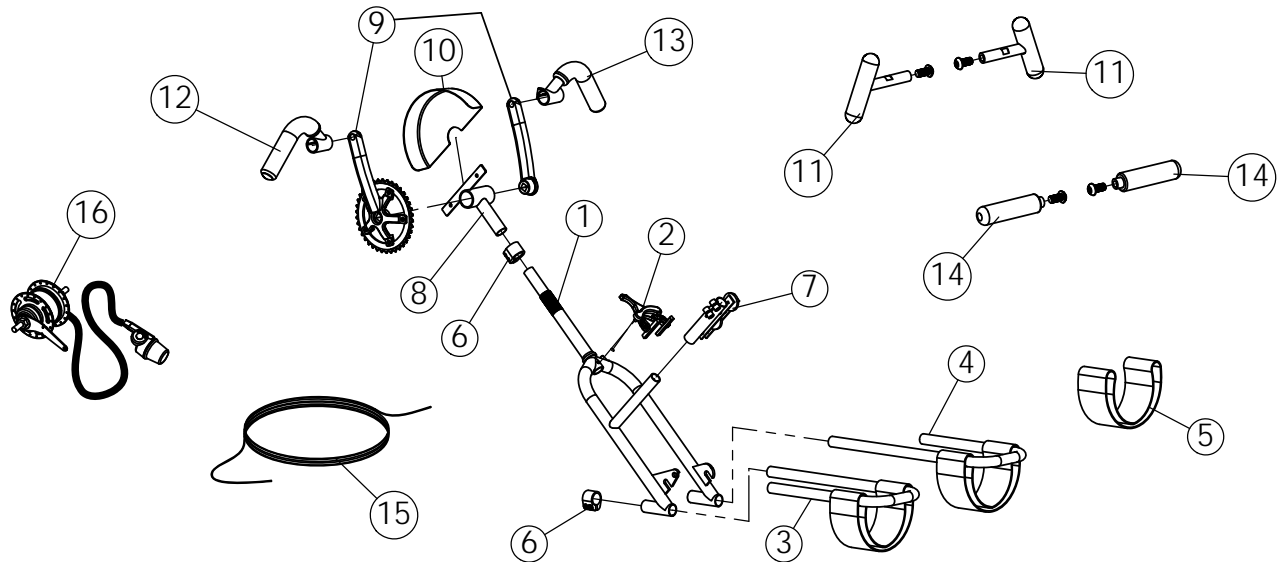
## XLT & XLT Jr.

### Fork Assembly

Date: \_\_\_\_\_ P.O./Customer#: \_\_\_\_\_ Ship to  Customer  Provider Part Tracking#: \_\_\_\_\_  
(TOP END Use Only)

<b>Provider</b> _____	<b>Acct#</b> _____
Address _____	Suite _____
City _____	State _____ Zip _____
Work Phone (_____) _____	Fax _____
Cell Phone (_____) _____	
E-mail _____	

<b>Customer</b> _____
Address _____ Apt. _____
City _____ State _____ Zip _____
Home Phone (_____) _____
Cell Phone (_____) _____
E-mail _____



ITEM NO.	PART NUMBER	PER BIKE	DESCRIPTION	ORDER QTY	
1	1054197	1	Fork, XLT		EA
	1056850	1	Fork, XLT Junior		EA
2	1060208	1	Brake caliper for High Performance tire		EA
	1060212	1	Brake caliper for Knobby/Cruiser tire & XLT Junior		EA
3	1054195	1	Footrest, Handcycle w/strap right		EA
4	1054196	1	Footrest, Handcycle w/strap left		EA
5	1060650	2	Footrest strap only		EA
6	1060797	3	Clamp, 1" alloy		EA
7	1068768	1	Chain idler assembly		EA
8	1109753	1	Crank Support Assembly - XLT & XLT Junior not including cranks or bottom brkt		EA
	1068746	1	Bottom Bracket		EA
9	1056873	1	Crank Set, XLT (includes right and left arms)		EA
	1109737	1	Crank Set, XLT Junior (includes right and left arms)		EA
10	1057053	1	Sprocket Guard		EA
11	1059454	2	Handpedal, Right or Left Delrin, Ergonomic (includes bearings)		EA
12	1068756	1	Handpedal, Foam Covered Ergonomic Right Hand (includes bearings)		EA
13	1068757	1	Handpedal, Foam Covered Ergonomic Left Hand (includes bearings)		EA
14	1065270	2	Handpedal, Right or Left Horizontal (includes spindle)		EA
	1109795	4	Bearing, Handpedal (not pictured)		EA
15	1146014	1	Cable and Housing for Parking Brake		EA
	1146016	1	Cable and Housing for Shifter		EA
16	1056872	1	7 Speed Hub & Shifter		EA
	1109747	1	Mountain Drive Crankset with tool set (includes right and left arms)		EA
	1109754	1	Bottom Bracket for Mountain Drive Crankset		EA



Sports and Recreation Products  
 4501 63rd Circle North  
 Pinellas Park, FL 33781  
 (800) 532-8677 (727) 522-8677  
 Fax: (727)522-1007  
 www.topendwheelchair.com

# Parts Order Diagram

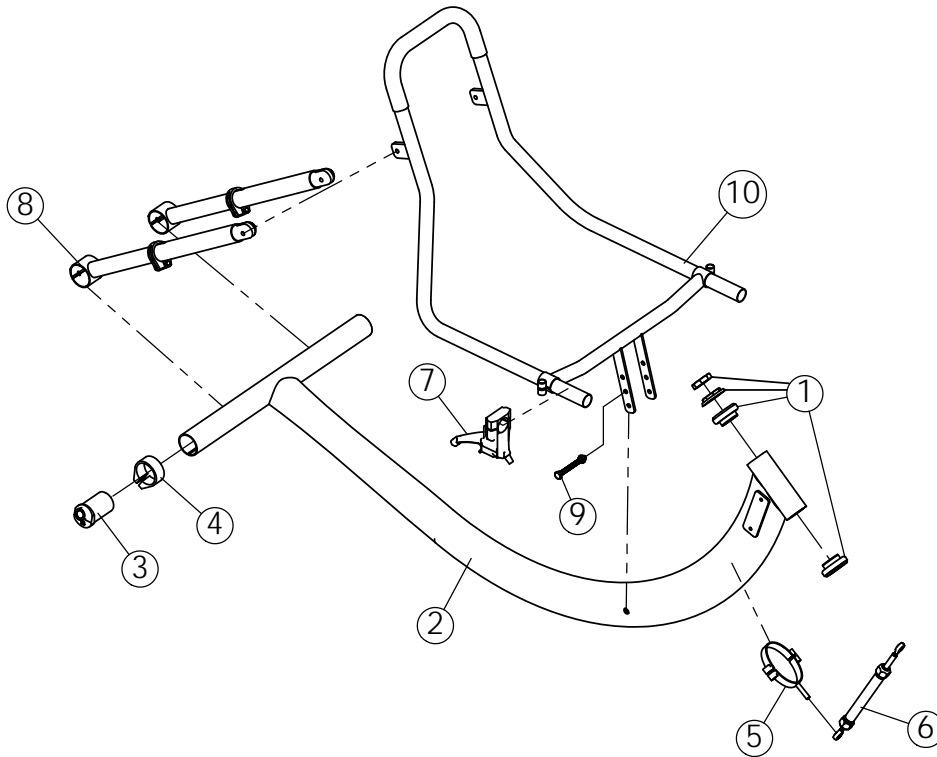
## XLT & XLT Jr.

### Frame Assembly

Date: \_\_\_\_\_ P.O./Customer#: \_\_\_\_\_ Ship to  Customer  Provider Part Tracking#: \_\_\_\_\_  
(TOP END Use Only)

<b>Provider</b> _____	<b>Acct#</b> _____
Address _____	Suite _____
City _____	State _____ Zip _____
Work Phone (_____) _____	Fax _____
Cell Phone (_____) _____	
E-mail _____	

<b>Customer</b> _____
Address _____ Apt. _____
City _____ State _____ Zip _____
Home Phone (_____) _____
Cell Phone (_____) _____
E-mail _____



ITEM NO.	PART NUMBER	PER BIKE	DESCRIPTION	ORDER QTY	
1	1056876	1	Fork headset bearing kit		EA
2	1057055	1	Frame XLT		EA
	1059582	1	Frame XLT Junior		EA
3	1068760	2	Camber plug	<input type="checkbox"/> Quick Release <input type="checkbox"/> 12 Degrees <input type="checkbox"/> 1/2" Threaded <input type="checkbox"/> 15 Degrees	EA
4	1116530	2	Camber clamp		EA
5	1116522	1	XLT compensator clamp		EA
6	1059441	1	Compensator		EA
	1068761	1	Parking brake assembly (includes lever, cable, and caliper)		EA
7	1068766	1	Parking brake lever		EA
8	1054198	2	Seat Support Assembly XLT (Includes all bolts & clamp)		EA
	1153039	2	Seat Support Assembly XLT Junior (includes all bolts & clamp)		EA
9	1061201	1	XLT Seat Frame Assembly- Narrow	Seat Width: <input type="checkbox"/> 14 <input type="checkbox"/> 15 <input type="checkbox"/> 16 <input type="checkbox"/> 17 <input type="checkbox"/> 18	EA
	1153037	1	XLT Seat Frame Assembly- Wide	Seat Width: <input type="checkbox"/> 14 <input type="checkbox"/> 15 <input type="checkbox"/> 16 <input type="checkbox"/> 17 <input type="checkbox"/> 18	EA
	1153040	1	XLT Junior Seat Frame Assembly		EA
10	1152980	1	Screw 1/4-20 x 2-1/2 hhcs with locknut		EA
	1063576	1	Chain, XLT (approximately 6')		EA



Sports and Recreation Products  
 4501 63rd Circle North  
 Pinellas Park, FL 33781  
 (800) 532-8677 (727) 522-8677  
 Fax: (727)522-1007  
 www.topendwheelchair.com

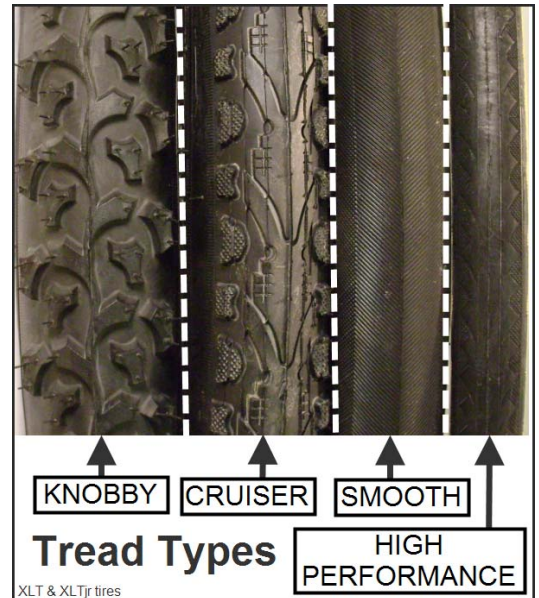
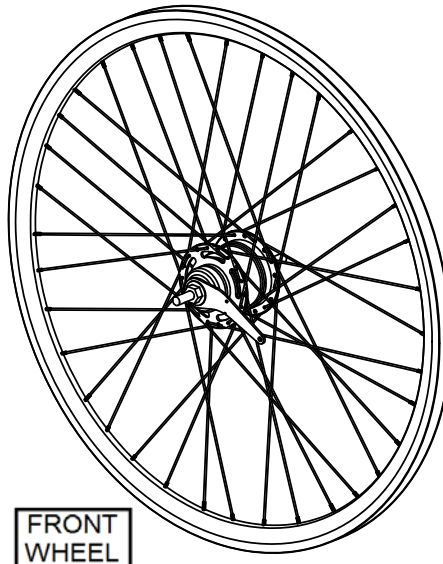
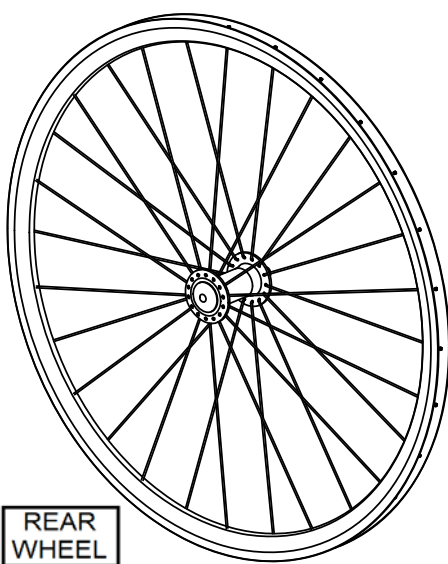
# Parts Order Diagram

## XLT & XLT Jr. Wheels

Date: \_\_\_\_\_ P.O./Customer#: \_\_\_\_\_ Ship to  Customer  Provider Part Tracking#: \_\_\_\_\_ (TOP END Use Only)

<b>Provider</b> _____	<b>Acct#</b> _____
Address _____	Suite _____
City _____	State _____ Zip _____
Work Phone (_____) _____	Fax _____
Cell Phone (_____) _____	
E-mail _____	

<b>Customer</b> _____
Address _____ Apt. _____
City _____ State _____ Zip _____
Home Phone (_____) _____
Cell Phone (_____) _____
E-mail _____



ITEM NO.	PART NUMBER	PER BIKE	DESCRIPTION	TIRE STYLE	ORDER QTY
<b>XLT</b>					
	1065289	1	24" Off Road/Cruiser <b>Front Wheel</b> with Shimano 7 speed hub	Clincher Only	EA
	1165274	2	24" Off Road/Cruiser <b>Rear Wheel</b> , Quick Release axle	Clincher Only	EA
	1109766	2	24" Off Road/Cruiser <b>Rear Wheel</b> , Threaded Axle	Clincher Only	EA
	1139801	1	26 In. (571) High Performance <b>Front Wheel</b> with Shimano 7 Speed hub	Clincher Only	EA
	1059578	2	26 In. (571) High Performance <b>Rear Wheel</b> (Non-Drive), Quick Release Axle	Clincher Only	EA
	1059573	2	26 In. (571) High Performance <b>Rear Wheel</b> (Non-Drive), Threaded Axle	Clincher Only	EA
	1060149	3	Tire 26" (571) High-Performance Clincher	XXXXX	EA
	1060160	3	Tube 26" (571) (High-Performance), Standard Stem	XXXXX	EA
	1063517	3	Tire, 24" Knobby	XXXXX	EA
	1060711	3	Tire, 24" Cruiser	XXXXX	EA
	1063519	3	Tube, 24" Knobby/Cruiser	XXXXX	EA
<b>XLT Jr.</b>					
	1060696	1	20" Cruiser <b>Front Wheel</b> with Shimano 7 speed hub	Clincher Only	EA
	1065289	2	20" Cruiser <b>Rear Wheel</b>	Clincher Only	EA
	1057762	3	Tire, 20" Choose one: <input type="checkbox"/> Cruiser <input type="checkbox"/> Smooth	XXXXX	EA
	1057763	3	Tube, 20" Cruiser	XXXXX	EA
<b>Misc.</b>					
	1061213	3	Rim Strip <input type="checkbox"/> 20" <input type="checkbox"/> 24" <input type="checkbox"/> 26"	XXXXX	EA
	1065303	2	Quick Release Axle	XXXXX	EA



Sports and Recreation Products  
 4501 63rd Circle North  
 Pinellas Park, FL 33781  
 (800) 532-8677 (727) 522-8677  
 Fax: (727)522-1007  
 www.topendwheelchair.com

# Parts Order Diagram

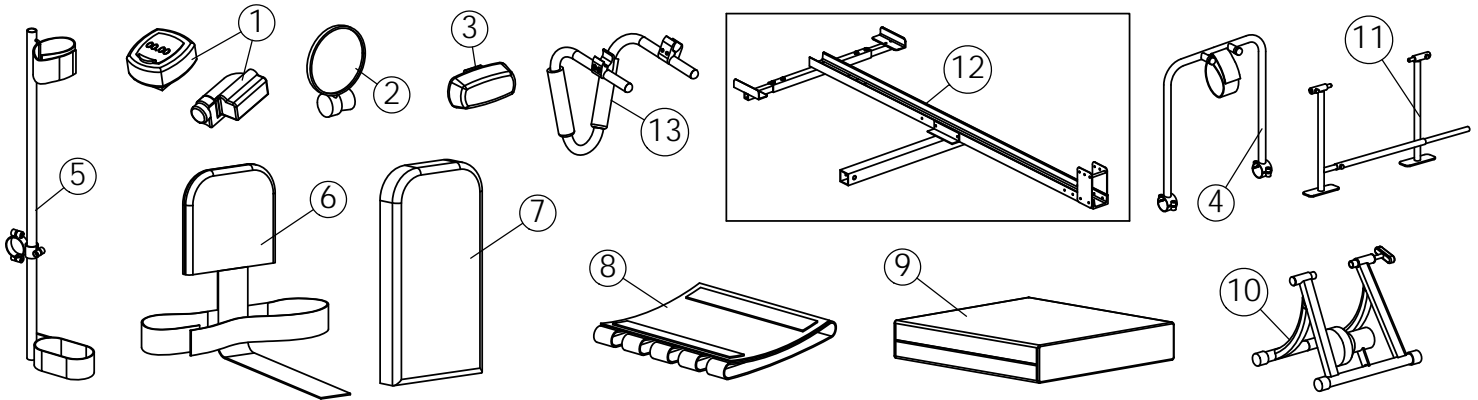
## XLT & XLT Jr.

### Accessories

Date: \_\_\_\_\_ P.O./Customer#: \_\_\_\_\_ Ship to  Customer  Provider Part Tracking#: \_\_\_\_\_ (TOP END Use Only)

<b>Provider</b> _____	<b>Acct#</b> _____
Address _____	Suite _____
City _____	State _____ Zip _____
Work Phone (_____) _____	Fax _____
Cell Phone (_____) _____	
E-mail _____	

<b>Customer</b> _____
Address _____ Apt. _____
City _____ State _____ Zip _____
Home Phone (_____) _____
Cell Phone (_____) _____
E-mail _____



ITEM NO.	PART NUMBER	PER BIKE	DESCRIPTION		ORDER QTY	
1	1056875	1	Cordless Computer		EA	
2	1068722	1	Mirror		EA	
3	1068721	1	Front Safety Light (clear)		EA	
	1060841	1	Front Safety Light (red)		EA	
	1145923	1	Click Strap Set 8" (small)		EA	
	1145964	1	Click Strap Set 10" (medium)		EA	
	1145965	1	Click Strap Set 12" (large)		EA	
4	1065306	1	Tow bar for wheelchair		EA	
	1060639	1	Helmet <input type="checkbox"/> Small <input type="checkbox"/> Medium <input type="checkbox"/> Large		EA	
	1063516	1	Safety flag with mounting hardware		EA	
5	1068723	1	Crutch Holder with hardware		EA	
6	1060887	1	Back Upholstry (XLT) <input type="checkbox"/> Narrow back <input type="checkbox"/> Wide back	Seat width _____	<input type="checkbox"/> 15" Back height <input type="checkbox"/> 17" Back height	EA
			7	1060896	1	
		1	Back Upholstry (XLT Jr.)		EA	
		1	Back Cushion (XLT Jr.)		EA	
8	1127963	1	Seat Upholstry (XLT or XLT Jr.) Adjustable Tension Seat Width _____		EA	
9	1054272	1	Soft Cushion <input type="checkbox"/> 2" <input type="checkbox"/> 3" or <input type="checkbox"/> 4" Cushion width _____ Cushion depth _____		EA	
			1168718	1	Water Bottle & Cage	
10	1165580	1	Indoor Training Roller		EA	
11	1109717	1	Alignment Guage		EA	
			1139799	1	Heart Monitor (Chest Strap and Watch)	
12	1068771	1	Bike Rack for trailer hitch <input type="checkbox"/> 1-1/4" (std) <input type="checkbox"/> 2"		EA	
13	1065268	1	Leg Guard Assy w/mtg hardware		EA	
	1060670	1	TriPin Spinner Quad handle-RH		EA	
	1060671	1	TriPin Spinner Quad handle-LH		EA	
	1065300	1	Quad Cuff Handle kit (Pr)		EA	
	1068702	1	Quad Gloves (Pr)		EA	