

**Panther™ / Lynx™ / Zoom-3
Scooters**

**Lynx™ SX3P/SX3/LX3/LX3Plus
Panther™ LX4/MX4**



Yes, you can.

Parts Catalog Usage Guide

The information contained in this document is subject to change without notice. This catalog contains service parts for Form No. 99-142. If you have any questions regarding this catalog, please contact one of our Customer Service Representatives.

For Customer Service Support Call:

1-800-333-6900

For Faxed In Orders Call:

1-800-678-4682 or

1-440-366-0709

For Technical Service Call:

1-800-832-4707

Literature Can Be Found at:

www.invacare.com or

1-800-828-6272

SYMBOL DEFINITION

Throughout this catalog you will notice letters to draw your attention to specific footnotes which are located at the bottom of the page or below specified charts.

Examples:

A,B,C etc. = Special Comments

NOTE: = General information pertaining to that specific page

NLA = No Longer Available

HARDWARE MEASUREMENTS

The measurements for the hardware will be listed as follows:

Screws, Bolts Diameter X Thread Count/Pitch X Length

Washers Inside Diameter X Outside Diameter X Thickness

Spacers Inside Diameter X Outside Diameter X Length

For your convenience, we have supplied an area for you to list your Invacare Representatives.

Name	Phone Numbers

© 2020 Invacare Corporation. Elyria, Ohio. Invacare, Yes, you can. and the Medallion Design are registered trademarks; Lynx and Panther are trademarks of Invacare Corporation.

TABLE of CONTENTS

Description	Page Number
Accessories	53
Accessories - Oxygen Holder	56
Anti-Tippers	16
Arm Assembly	46
Baskets	52
Battery Harnesses & Chargers	29
Controller & Harnesses	27
Disc Brake Assembly - Panther MX4	36
Forks & Hardware	31
Frame Hardware - Lynx & Zoom-3	6
Frame Hardware - Panther	8
Front Axle Assembly	34
Front Bumper Cover - Panther LX4	35
Front Shrouds - Lynx & Zoom-3	10
Front Shrouds - Panther	12
Headlight Assembly	48
Packaging & Literature	4
Rear Shrouds	14
Seat Assembly - Lynx SX3P/SX3/LX3/LX3 Plus & Panther LX4/MX4	42
Seat Assembly - Zoom-3	44
Shocks - Panther MX4	37

TABLE of CONTENTS

Description	Page Number
Steering Assembly	32
Tiller Assembly w/ Harness - Lynx LX3 (Before S/N 00F622315) - Panther LX4 (Before S/N 00F622475) - Panther MX4 (Before S/N 00F623495)	17
LX3 (After S/N 00F622314) - Panther LX4 (After S/N 00F622474) - Panther MX4 (After S/N 00F623494)	22
LX3 (After S/N 00F622314) - Panther LX4 (After S/N 00F622474) - Panther MX4 (After S/N 00F623494)	19
Tiller Assembly with Harness - Zoom-3	25
Trans-Axle Assembly - Lynx LX3/LX3Plus & Panther LX4/MX4	40
Trans-Axle Assembly - Lynx SX3P/SX3 & Zoom-3	38
Wheels	50

Packaging & Literature

When adjusting or replacing parts, please refer to your Owner's Manual for assistance.

Packaging Kits

Model Number	Part Number	Description
Zoom-3	1112796-NLA	1 ea. Cardboard Insert 6 ea. Foam 1 ea. EPE Foam 4 ea. Wrapping Material 1 ea. Carton
Lynx SX3P/SX3	1091864-NLA	3 ea. Partition Board 1 ea. Foam 2 ea. EPE Foam 3 ea. Protection Mat 1 ea. Carton
Lynx LX3/LX3 Plus	1091865-NLA	4 ea. Protection Mat 1 ea. Foam 4 ea. Partition Board 2 ea. EPE Foam 1 ea. Carton
Panther LX4	1091866-NLA	4 ea. Protection Mat 1 ea. Foam 3 ea. Partition Board 2 ea. EPE Foam 1 ea. Carton

Literature

Part Number	Description
1090132	Owner's Manual - All Models
1104920-NLA	NLA - Owner's Manual (English/French Canadian)

Packaging & Literature

When adjusting or replacing parts, please refer to your Owner's Manual for assistance.

Warning Label Kits

Part Number	Description
1093214-NLA See Note(s) A	NLA - Warning Label Kit - French Canadian
1093215-NLA See Note(s) B	NLA - Kit, Warning Label - Domestic Spanish

NOTE: A - Includes Warning Labels and Instruction Sheet.
B - Includes Owner's Manual, Warning Labels and Instruction Sheet.

Touch-Up Paint

Part Number	Description
1102705	Candy Red
1102706-NLA	Metallic Green
1102707-NLA	Champagne
1101326-NLA	Deep Blue

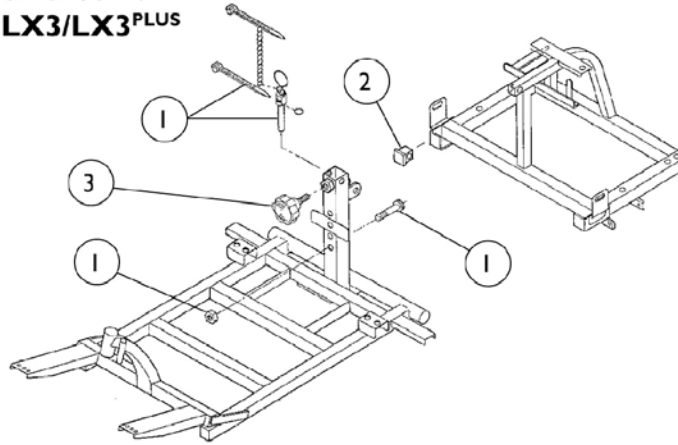
Frame Hardware

Lynx & Zoom-3

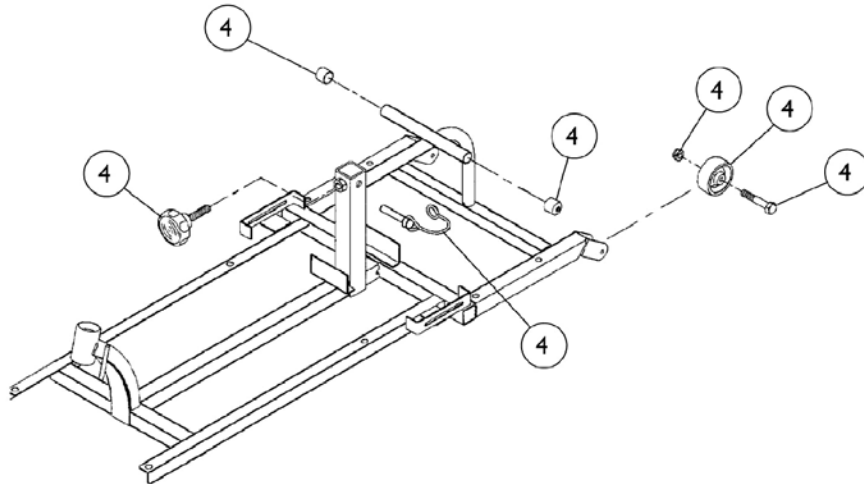
Note: Frame is not sold as a service part.

Note: All Front and Rear Frames shown for reference only.

Lynx SX3P/SX3 Lynx LX3/LX3^{PLUS}



Zoom-3



Frame Hardware

Lynx & Zoom-3

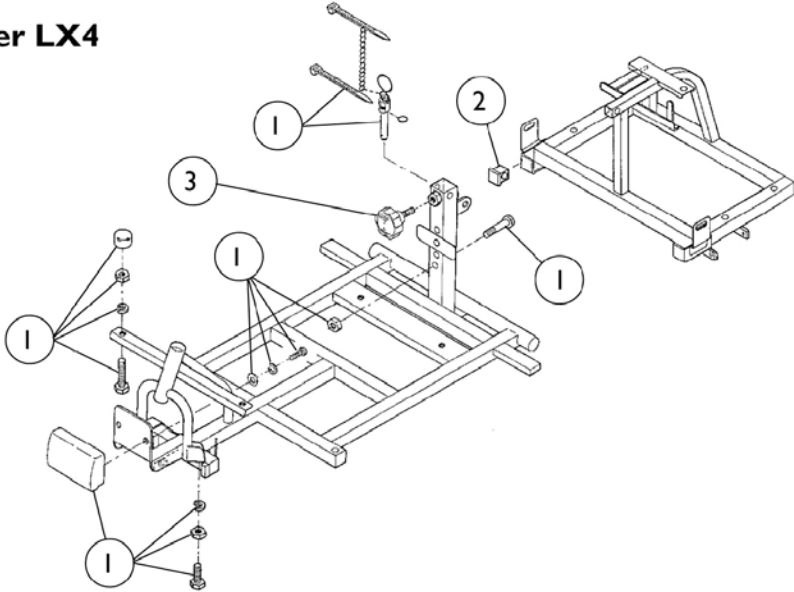
Note: Frame is not sold as a service part.

Item Number	Note	Part Number	Description	Quantity Per	
				Package	Assembly
1		1088660-NLA	NLA - Frame Hardware, Frame, Front - Includes: 1 each Safety Pin Assembly 2 each Cable Tie 1 each Chain 1 each Pin, Safety 1 each Bolt, Hex Head (M6 x 1.0 x40) 1 each Nut, Self-Lock (6 x 10)	1	1
2		1088792-NLA	NLA - Hardware, Frame - Rear - Lynx SX3P/SX3/LX3/LX3Plus and Panther LX4 Includes: 1 each Rubber	1	1
3		1088767-NLA	NLA - Knob, Seat Post - Lynx SX3P/SX3/LX3/LX3Plus and Panther LX4	1	1
4		1105914-NLA	NLA - Hardware, Frame - Zoom-3 Includes: 1 ea. Knob, Seat Post 2 ea. Rubber Cover 2 ea. Wheel, Anti-Tip 2 ea. Screw, Hex Cap (M6 x 1.0 x 40) 2 ea. Nut, Self-Lock (6 x 10) 1 ea. Pin, Connecting	1	1

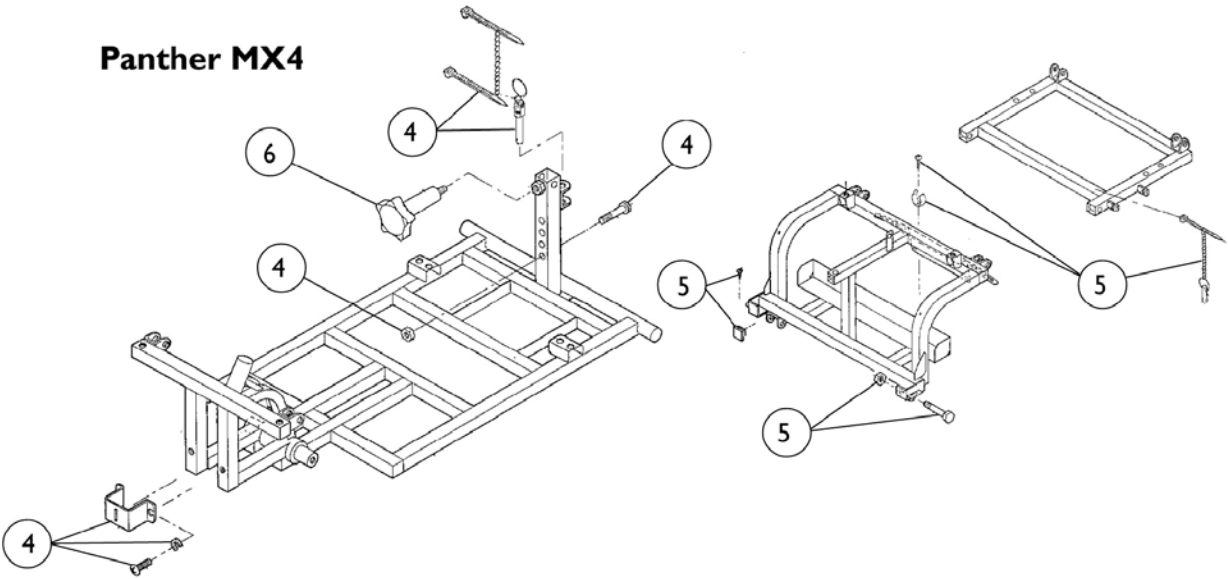
Frame Hardware Panther

Note: All Front and Rear Frames shown for reference only.

Panther LX4



Panther MX4



Frame Hardware Panther

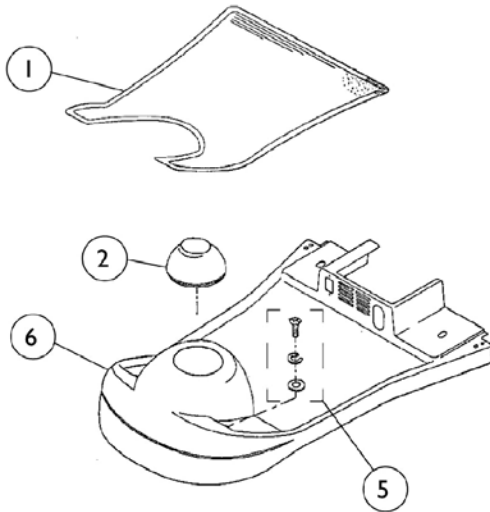
Item Number	Note	Part Number	Description	Quantity Per	
				Package	Assembly
1		1088738-NLA	NLA - Front Frame Hardware-Panther LX4 Includes: 2 each Screw, Hex (M8 x 1.25 x 35) 2 each Screw, Hex (M8 x 1.25 x 25) 4 each Nut (M8 x 13) 4 each Washer, Spring (8 x 13) 2 each Rubber 1 each Bolt, Hex Head (M6 x 1.0 x 40) 1 each Nut, Self-Lock (6 x 10) 2 each Pin, Safety 1 each Cable Tie 1 each Chain 1 each Cushion 2 each Washer (6 x 18 x 1.6) 2 each Washer, Spring (6 x 10) 2 each Screw (M6 x 1.0 x 16)	1	1
2		1088792-NLA	NLA - Hardware, Frame - Rear - Lynx SX3P/SX3/LX3/LX3Plus and Panther LX4 Includes: 1 each Rubber	1	1
3		1088767-NLA	NLA - Knob, Seat Post - Lynx SX3P/SX3/LX3/LX3Plus and Panther LX4	1	1
4		1091138-NLA	NLA - Hardware, Frame, Front - Panther MX4 Includes: 1 each Bracket 2 each Screw (M6 x 1.0 x 16) 2 each Washer, Spring (6 X 10) 2 each Pin, Safety 2 each Cable Tie 1 each Chain 1 each Bolt, Hex Head (M6 x 1.0 x 40) 1 each Nut, Self-Lock (6 x 1.0 x10)	1	1
5		1091139-NLA	NLA - Hardware, Frame, Rear - Panther MX4 Includes: 1 each Rubber 2 each Bolt (M8 x 1.25 x 45) 2 each Nut, Self-Lock (8 x 1.25 x 13) 2 each Pin, Connecting 1 each Cable Tie 1 each Chain 1 each Bind Ring 1 each Screw, SelfTapping (M4 x 15)	1	1
6		1091859-NLA	NLA - Knob, Seat Post - Panther MX4	1	1

Front Shrouds

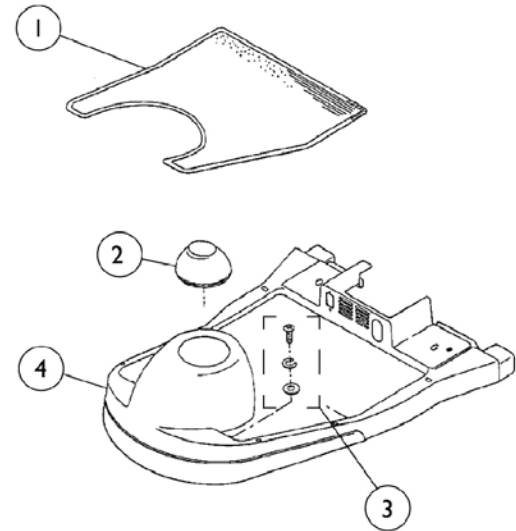
Lynx & Zoom-3

Note: Shroud Assemblies include Carpet with Hook and Loop and Hardware.

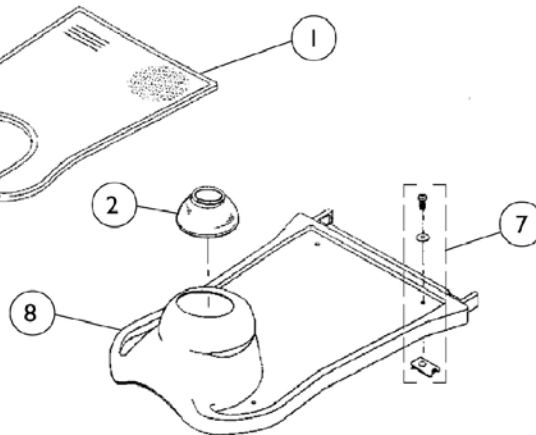
Lynx SX3P/SX3



Lynx LX3/LX3Plus



Zoom-3



Front Shrouds Lynx & Zoom-3

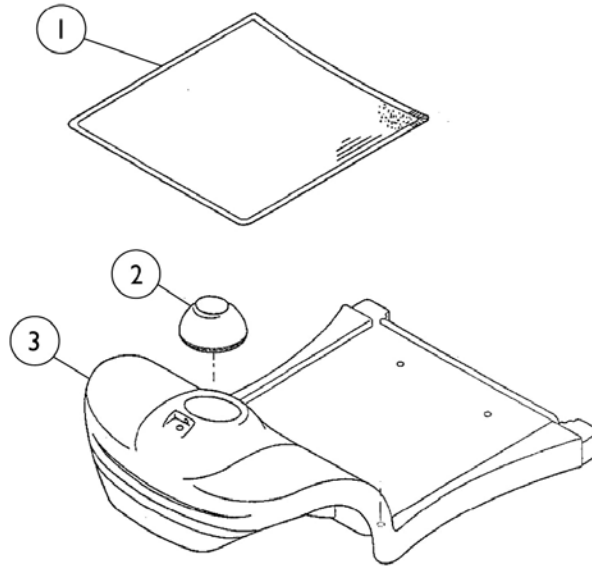
Item Number	Note	Part Number	Description	Quantity Per	
				Package	Assembly
1		1088687-NLA	NLA - Carpet with Hook and Loop	1	1
1		1088688-NLA	NLA - Carpet with Hook and Loop	1	1
1		1105916-NLA	NLA - Carpet with Hook and Loop, Zoom-3	1	1
2		1088710-NLA	NLA - Boot	1	1
3		1088711-NLA	NLA - Hardware, Shroud - Includes: 2 each Washer (6 x 18 x 1.6) 2 each Washer, Spring (6 x 10) 2 each Screw (M6 x 1.0 x 20)	1	1
4		1088678-NLA	NLA - Shroud with Carpet and Hardware, Candy Red	1	1
4		1088679-NLA	NLA - Shroud with Carpet and Hardware - Metallic Green	1	1
4		1088680-NLA	NLA - Shroud with Carpet and Hardware, Deep Blue	1	1
4		1104157-NLA	NLA - Shroud with Carpet and Hardware, Magic Black - Lynx LX3Plus	1	1
5		1088793-NLA	NLA - Hardware, Shroud - Lynx SX3P/SX3 Includes: 2 each Washer (6 x 18 x 1.6) 2 each Washer, Spring (6 x 10) 2 each Screw (M6 x 1.0 x 16)	1	1
6		1088674-NLA	NLA - Shroud with Carpet and Hardware, Gray (Before S/N 00F623035)	1	1
6		1102246-NLA	NLA - Shroud with Carpet and Hardware - Lynx SX3P (After S/N 00F623034) - Ivory	1	1
6		1088675-NLA	NLA - Shroud with Carpet and Hardware, Candy Red	1	1
6		1088677-NLA	NLA - Shroud with Carpet and Hardware, Deep Blue	1	1
7		1105917-NLA	NLA - Hardware, Shroud - Zoom-3 4 ea. Washer (6 x 18 x 1.6) 4 ea. Plate Nut, U-Type 4 ea. Screw (M6 x 1.0 x 16)	1	1
8		1105915-NLA	NLA - Shroud with Carpet and Hardware - Zoom-3 - Candy Red	1	1
		1076178-NLA	NLA - Seat Hardware	--	--

Front Shrouds

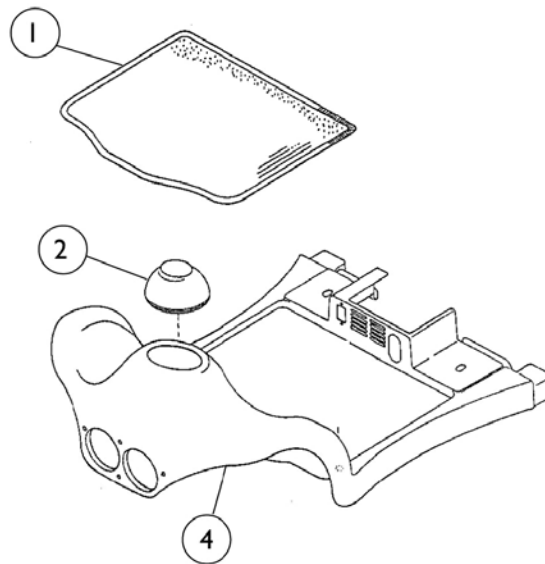
Panther

Note: Shroud Assemblies include Carpet with Hook and Loop and Hardware.

Panther LX4



Panther MX4

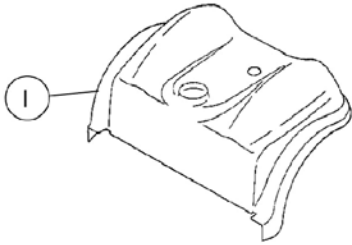


Front Shrouds Panther

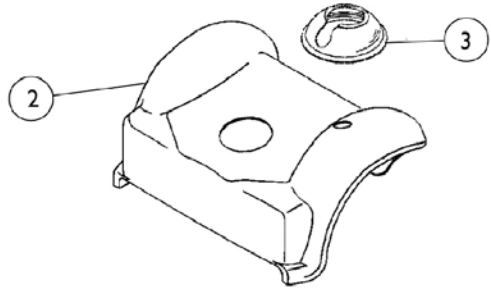
Item Number	Note	Part Number	Description	Quantity Per	
				Package	Assembly
1		1088689-NLA	NLA - Carpet with Hook and Loop	1	1
1		1088690-NLA	NLA - Carpet with Hook and Loop	1	1
2		1088710-NLA	NLA - Boot	1	1
3		1088681-NLA	NLA - Shroud w/Carpet and Hardware, Candy Red	1	1
3		1088682-NLA	NLA - Shroud w/Carpet and Hardware, Metallic Green	1	1
3		1088683-NLA	NLA - Shroud w/Carpet and Hardware, Deep Blue	1	1
3		1104158-NLA	NLA - Shroud with Carpet and Hardware - Panther LX4 - Magic Black	1	1
4		1088684-NLA	NLA - Shroud w/Carpet and Hardware, Champagne	1	1
	A	1088797-NLA	NLA - Hardware, Shroud - Panther LX4 Includes: 2 each Plate Nut, U Type 4 each Washer (6 x 18 x 1.6) 4 each Washer, Spring (6 x 10) 4 each Screw (M6 x 1.0 x 20)	1	1
	A	1091140-NLA	NLA - Hardware, Shroud - Panther MX4 Includes: 3 each Washer (4 x 12 x 0.8) 1 each Screw (M4 x 0.7 x 80) 1 each Nut (M4 x 0.7 x 7) 1 each Spring 2 each Washer (4 x 9 x 1) 1 each Nut, Self-Lock (4 x 0.7 x 7) 2 each Screw (M6 x 1.0 x 20) 2 each Washer, Spring (6 x 10) 2 each Washer (6 x 18 x 1.6)	1	1
NOTE: A - Not Shown					

Rear Shrouds

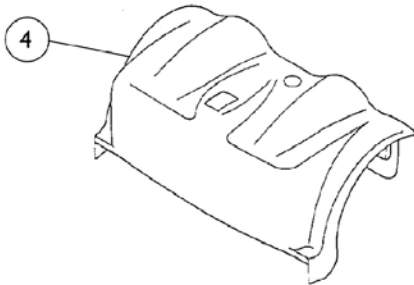
Lynx SX3P/SX3



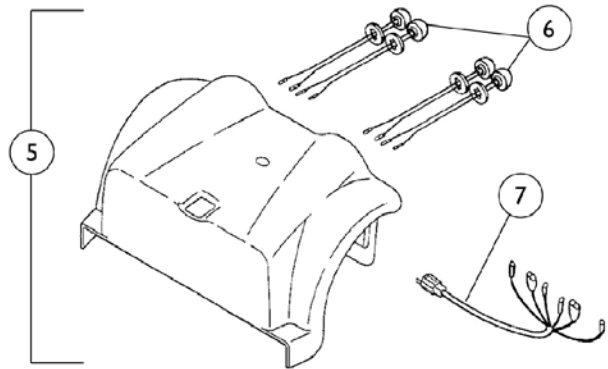
Zoom-3



**Lynx LX3/LX3^{Plus}
Panther LX4**



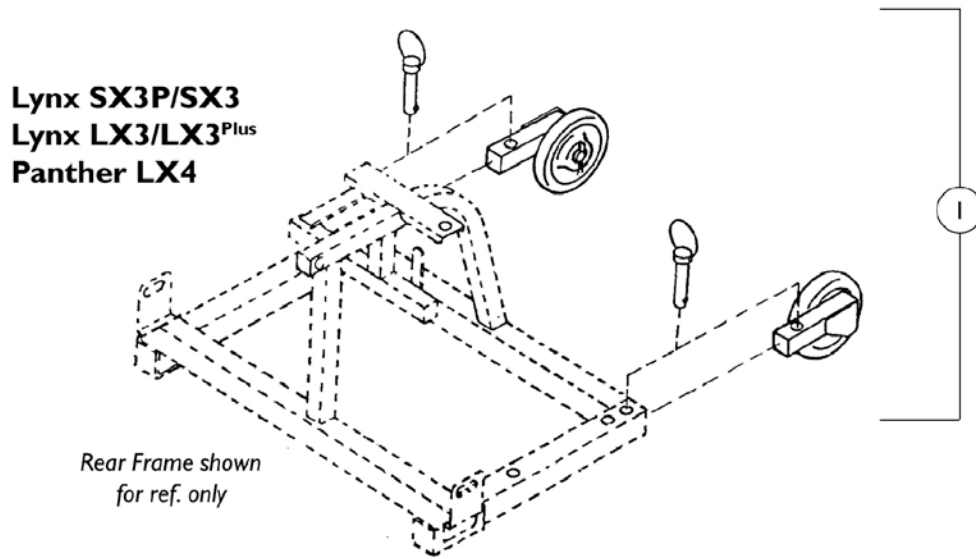
Panther MX4



Rear Shrouds

Item Number	Note	Part Number	Description	Quantity Per	
				Package	Assembly
1		1088661-NLA	NLA - Shroud, Rear, Gray (Before S/N 00F623035)	1	1
1		1102247-NLA	NLA - Shroud, Rear, Ivory - Lynx SX3P (After S/N 00F623034)	1	1
1		1088662-NLA	NLA - Shroud, Rear, Candy Red	1	1
1		1088664-NLA	NLA - Shroud, Rear, Deep Blue	1	1
2		1105918-NLA	NLA - Shroud, Rear - Zoom-3	1	1
3		1105919-NLA	NLA - Boot, Rear Shroud	1	1
4		1088665-NLA	NLA - Shroud, Rear, Candy Red	1	1
4		1088666-NLA	NLA - Shroud, Rear, Metallic Green	1	1
4		1088667-NLA	NLA - Shroud, Rear, Deep Blue	1	1
4		1104160-NLA	NLA - Shroud, Rear, Magic Black - Lynx LX3 Plus	1	1
4		1088668-NLA	NLA - Shroud, Rear, Candy Red	1	1
4		1088669-NLA	NLA - Shroud, Rear, Metallic Green	1	1
4		1088670-NLA	NLA - Shroud, Rear, Deep Blue	1	1
4		1104161-NLA	NLA - Shroud, Rear, Magic Black - Panther LX4	1	1
5		1088671-NLA	NLA - Kit, Shroud w/ Lights, Rear - Champagne	1	1
6		1088774-NLA	NLA - Kit, Tail Lights Includes 2 red lights and 2 yellow lights.	2	1
7		1088782-NLA	NLA - Harness, Tail Light	1	1

Anti-Tippers



Item Number	Note	Part Number	Description	Quantity Per	
				Package	Assembly
1		1088658-NLA	NLA - Anti-Tipper (Pair)	2	1

Zoom-3 models do not have removable Anti-Tippers. Anti-Tip Wheels are available as service parts in Frame Hardware.

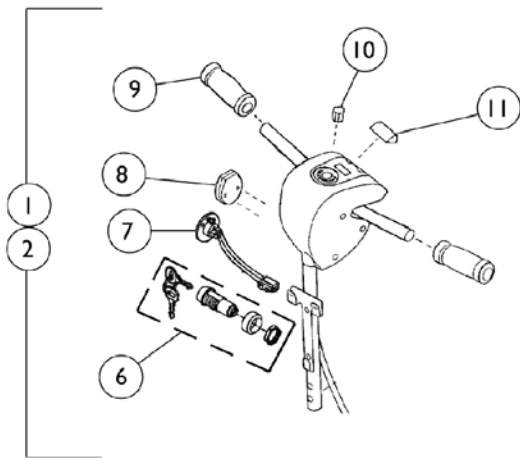
Tiller Assembly with Harness

Lynx LX3 (Before S/N 00F622315)

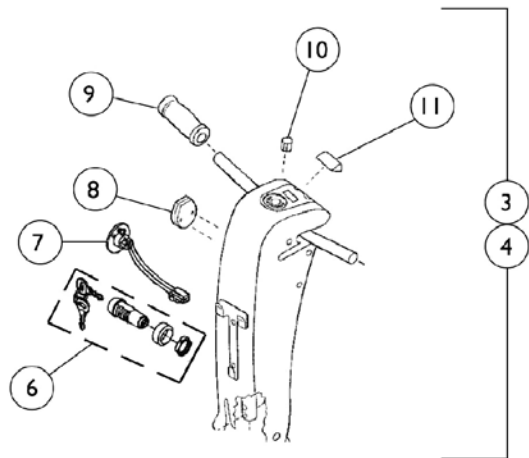
Panther LX4 (Before S/N 00F622475)

Panther MX4 (Before S/N 00F623495)

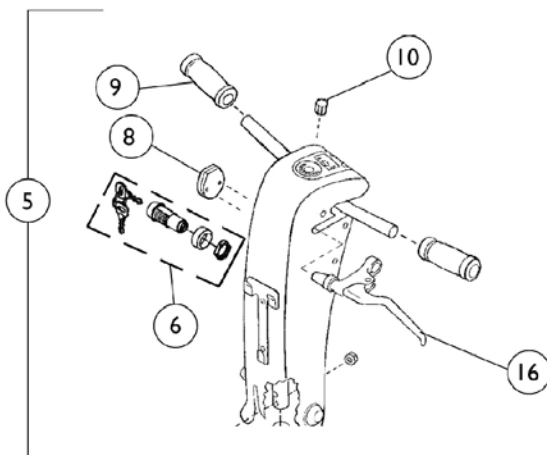
Lynx SX3P/SX3



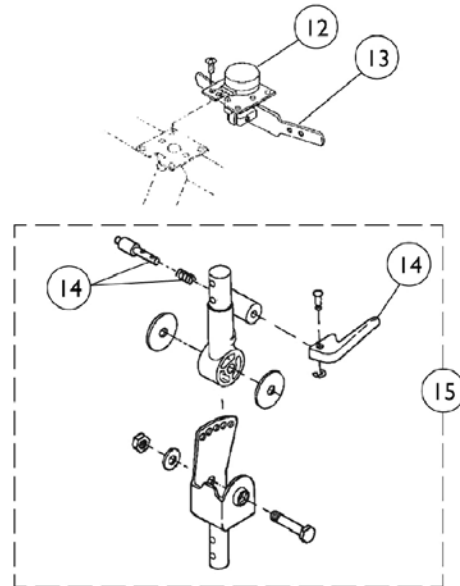
**Lynx LX3
Panther LX4**



Panther MX4



**Lynx SX3P/SX3/LX3
Panther LX4/MX4**



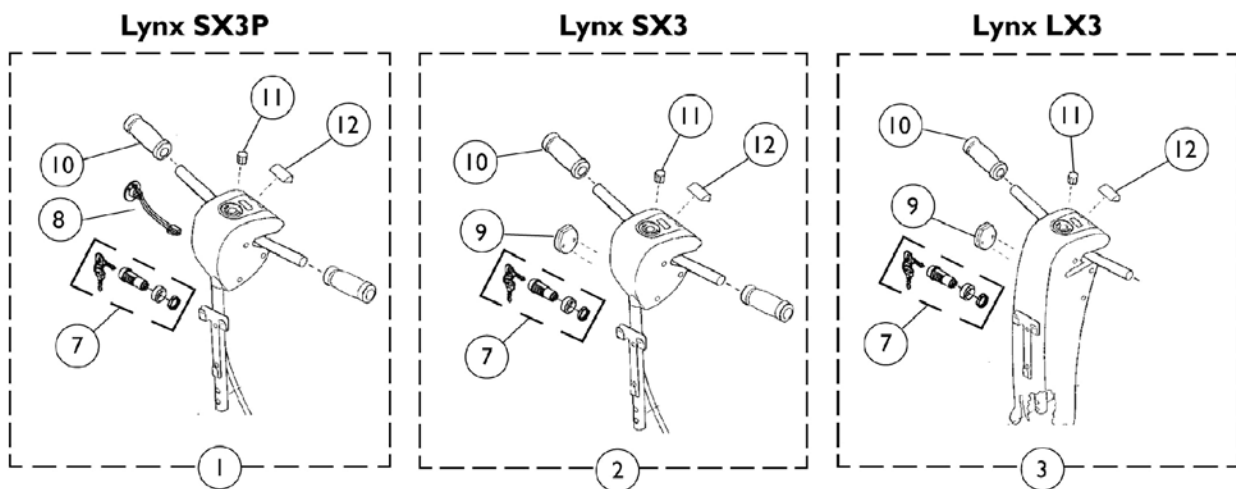
Tiller Assembly with Harness
Lynx LX3 (Before S/N 00F622315)
Panther LX4 (Before S/N 00F622475)
Panther MX4 (Before S/N 00F623495)

Item Number	Note	Part Number	Description	Quantity Per	
				Package	Assembly
1		1088691-NLA	NLA - Tiller Assembly w/ Harness, Gray	1	1
2		1088692-NLA	NLA - Tiller Assembly w/ Harness, Candy Red	1	1
2		1088694-NLA	NLA - Tiller Assembly w/ Harness, Deep Blue	1	1
3		1088695-NLA	NLA - Tiller Assembly w/ Harness, Candy Red	1	1
3		1088696-NLA	NLA - Tiller Assembly w/ Harness, Metallic Green	1	1
3		1088697-NLA	NLA - Tiller Assembly w/ Harness, Deep Blue	1	1
4		1088698-NLA	NLA - Tiller Assembly w/ Harness, Candy Red	1	1
4		1088699-NLA	NLA - Tiller Assembly w/ Harness, Metallic Green	1	1
4		1088700-NLA	NLA - Tiller Assembly w/ Harness, Deep Blue	1	1
5		1088701-NLA	NLA - Tiller Assembly w/ Harness, Champagne	1	1
6		1102927-NLA	NLA - Key Switch with Keys	1	1
6		1088704-NLA	NLA - Keys Only (Pair)	2	1
7		1091863-NLA	NLA - Charger Port - Lynx SX3P, Panther LX4 and Zoom-3	1	1
8		1091862-NLA	NLA - Cover, Charger Port - Lynx SX3/LX3/LX3 Plus and Panther MX4	1	1
9		1088706-NLA	NLA - Grips, Hand (Pair)	2	1
10	B	1088705-NLA	NLA - Knob, Tiller Speed	1	1
11		1088707-NLA	NLA - Canopy, LED	1	1
12	C	1101276-NLA	NLA - Potentiometer	1	1
13		1088708-NLA	NLA - Lever, Throttle	1	1
14		1088709-NLA	NLA - Handle, Latch with Spring and Pin	1	1
15		1099708-NLA	NLA - Swivel Bracket Assembly	1	1
16		1088778-NLA	NLA - Brake, Hand - Panther MX4	1	1
	A	1097017-NLA	NLA - Kit, Decal w/ Instruction Sheet, Forward/Reverse - Left Hand	1	1
	A	1088794-NLA	NLA - Tiller Hardware - All Models Includes: 2 each Bolt (M6 x 1.0 x 35) 2 each Nut, Self-Lock (6 x 10 x 8) 1 each Washer (8 x 39 x 2) 1 each Washer (8 x 39 x 1.6) 1 each Bolt (M8 x 1.25 x 50) 1 each Washer (8 x 22 x 2) 1 each Nut, Self-Lock (8 x 1.25 x 13)	1	1

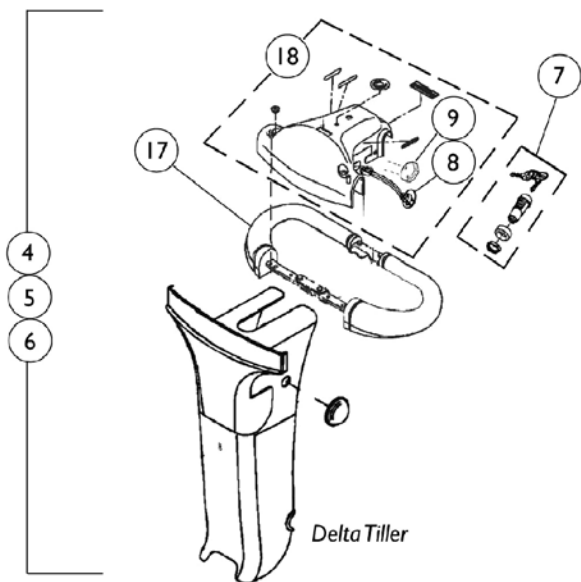
NOTE: A - Not Shown
B - This Knob is used on all tiller models - it is not shown on some.
C - The Throttle Lever is included with this item. If the tiller for this part is for is not a "Delta" tiller, please contact the technical services department for instructions on replacing this item.

Tiller Assembly with Harness

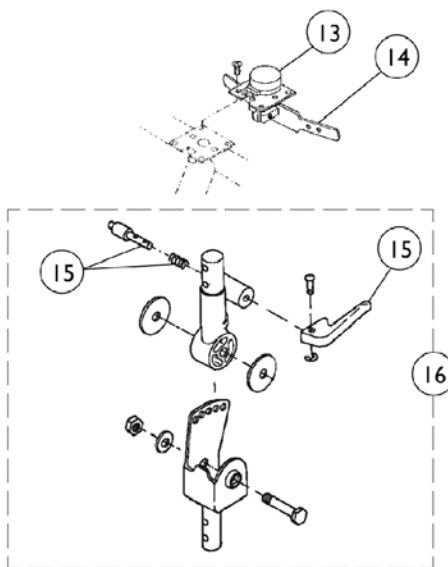
(Manufactured Before 1/02)
 Lynx SX3P (After S/N 00F623034)
 Lynx LX3 (After S/N 00F622314)
 Panther LX4 (After S/N 00F622474)
 Panther MX4 (After S/N 00F623494)



Lynx LX3^{Plus}
Panther LX4/MX4



Lynx SX3P/SX3/LX3/LX3^{Plus}
Panther LX4/MX4



**Tiller Assembly with Harness
(Manufactured Before 1/02)
Lynx SX3P (After S/N 00F623034)
Lynx LX3 (After S/N 00F622314)
Panther LX4 (After S/N 00F622474)
Panther MX4 (After S/N 00F623494)**

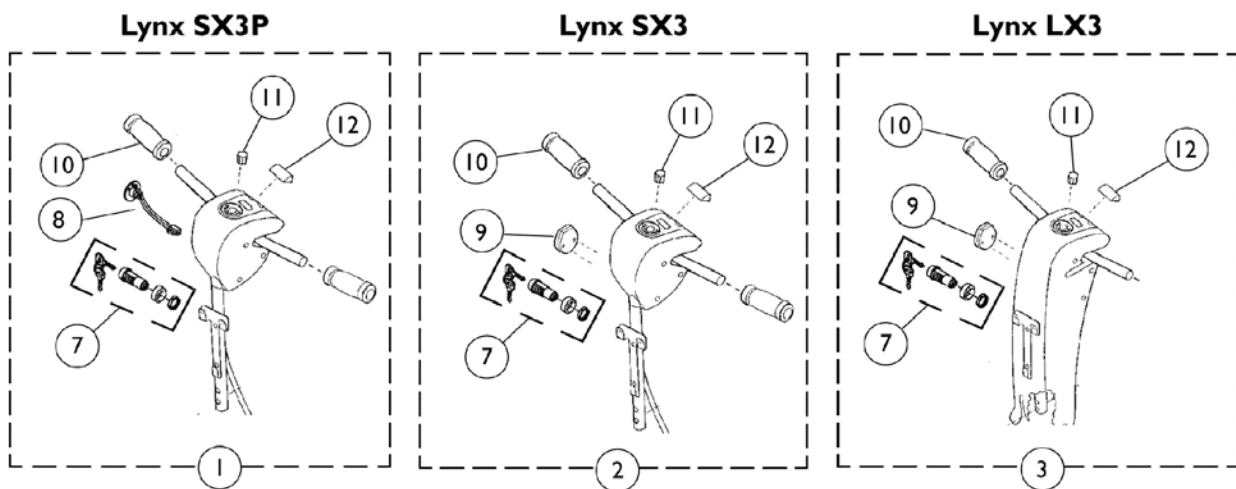
Item Number	Note	Part Number	Description	Quantity Per	
				Package	Assembly
1		1102248-NLA	NLA - Tiller Assembly w/ Harness - Lynx SX3P, Taupe	1	1
2	A	1088692-NLA	NLA - Tiller Assembly w/ Harness, Candy Red	1	1
2	A	1088694-NLA	NLA - Tiller Assembly w/ Harness, Deep Blue	1	1
3	A	1088695-NLA	NLA - Tiller Assembly w/ Harness, Candy Red	1	1
3	A	1088696-NLA	NLA - Tiller Assembly w/ Harness, Metallic Green	1	1
3	A	1088697-NLA	NLA - Tiller Assembly w/ Harness, Deep Blue	1	1
4	A	1101272-NLA	NLA - Delta Tiller Assembly w/ Harness, Candy Red - Lynx LX3 Plus	1	1
4	A	1101273-NLA	NLA - Delta Tiller Assembly w/ Harness, Metallic Green - Lynx LX3 Plus	1	1
4	A	1101274-NLA	NLA - Delta Tiller Assembly w/ Harness, Deep Blue - Lynx LX3 Plus	1	1
4	A	1104164-NLA	NLA - Delta Tiller Assembly w/ Harness, Magic Black - Lynx LX3 Plus	1	1
5	A	1102390-NLA	NLA - Delta Tiller Assembly w/ Harness, Candy Red - Panther LX4	1	1
5	A	1102391-NLA	NLA - Delta Tiller Assembly w/ Harness, Metallic Green - Panther LX4	1	1
5	A	1102392-NLA	NLA - Delta Tiller Assembly w/ Harness, Deep Blue - Panther LX4	1	1
5	A	1104165-NLA	NLA - Delta Tiller Assembly w/ Harness, Magic Black - Panther LX4	1	1
6		1101278-NLA	NLA - Delta Tiller Assembly w/ Harness, Champagne - Panther MX4	1	1
7		1102927-NLA	NLA - Key Switch with Keys	1	1
7		1088704-NLA	NLA - Keys Only (Pair)	2	1
8		1091863-NLA	NLA - Charger Port - Lynx SX3P, Panther LX4 and Zoom-3	1	1
9		1091862-NLA	NLA - Cover, Charger Port - Lynx SX3/LX3/LX3 Plus and Panther MX4	1	1
10		1088706-NLA	NLA - Grips, Hand (Pair)	2	1
11	E	1088705-NLA	NLA - Knob, Tiller Speed	1	1
12		1088707-NLA	NLA - Canopy, LED	1	1
13	F	1101276-NLA	NLA - Potentiometer	1	1
14		1088708-NLA	NLA - Lever, Throttle	1	1
15		1088709-NLA	NLA - Handle, Latch with Spring and Pin	1	1
16		1099708-NLA	NLA - Swivel Bracket Assembly	1	1
17		1101275-NLA	NLA - Handle Bar w/ Hardware - LX3Plus, LX4 and MX4	1	1

**Tiller Assembly with Harness
(Manufactured Before 1/02)
Lynx SX3P (After S/N 00F623034)
Lynx LX3 (After S/N 00F622314)
Panther LX4 (After S/N 00F622474)
Panther MX4 (After S/N 00F623494)**

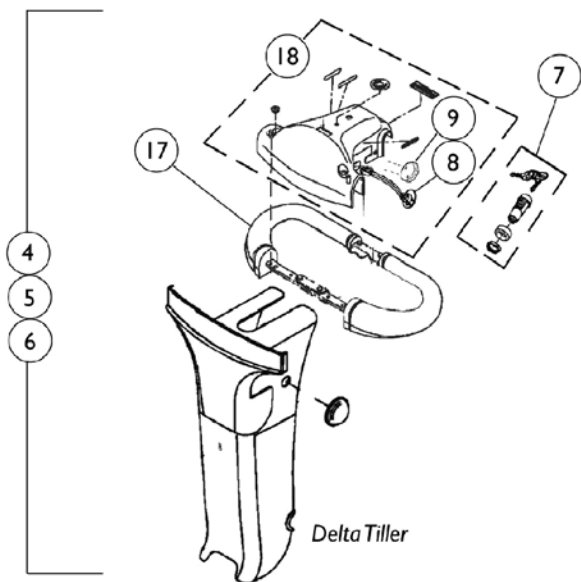
Item Number	Note	Part Number	Description	Quantity Per	
				Package	Assembly
18	D	1101271-NLA	NLA - Cover Assembly, Tiller - LX3 Plus (Woodgrain Finish)	1	1
18	D	1102929-NLA	NLA - Cover Assembly, Tiller - LX3 Plus (Snake Skin Finish)	1	1
18	D	1102393	Cover Assembly, Tiller - LX4 (Woodgrain Finish)	1	1
18	D	1102930-NLA	NLA - Cover Assembly, Tiller - LX4 (Snake Skin Finish)	1	1
18	D	1101277-NLA	NLA - Cover Assembly, Tiller - MX4 (Woodgrain Finish)	1	1
	C	P755	Extension, Throttle Lever (Pair)	2	1
	C	1097017-NLA	NLA - Kit, Decal w/ Instruction Sheet, Forward/Reverse - Left Hand	1	1
	C	1088794-NLA	NLA - Tiller Hardware - All Models Includes: 2 each Bolt (M6 x 1.0 x 35) 2 each Nut, Self-Lock (6 x 10 x 8) 1 each Washer (8 x 39 x 2) 1 each Washer (8 x 39 x 1.6) 1 each Bolt (M8 x 1.25 x 50) 1 each Washer (8 x 22 x 2) 1 each Nut, Self-Lock (8 x 1.25 x 13)	1	1
<p>NOTE: A - Before 1/02 C - Not Shown D - Old style has charger port on left side with warning label above; new style has black plug button siliconed inside hole. E - This Knob is used on all tiller models - it is not shown on some. F - The Throttle Lever is included with this item. If the tiller for this part is for a "Delta" tiller, please contact the technical services department for instructions on replacing this item.</p>					

Tiller Assembly with Harness

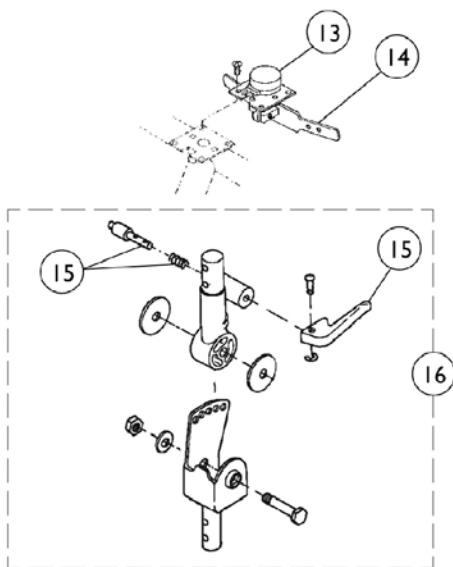
(Manufactured After 12/01)
 Lynx SX3P (After S/N 00F623034)
 Lynx LX3 (After S/N 00F622314)
 Panther LX4 (After S/N 00F622474)
 Panther MX4 (After S/N 00F623494)



Lynx LX3^{Plus}
Panther LX4/MX4



Lynx SX3P/SX3/LX3/LX3^{Plus}
Panther LX4/MX4



Tiller Assembly with Harness
(Manufactured After 12/01)
Lynx SX3P (After S/N 00F623034)
Lynx LX3 (After S/N 00F622314)
Panther LX4 (After S/N 00F622474)
Panther MX4 (After S/N 00F623494)

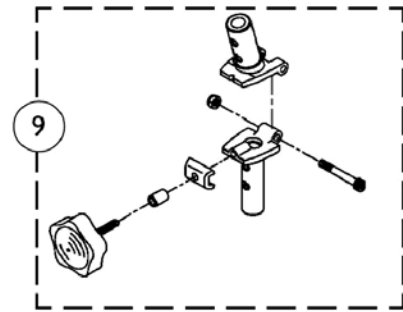
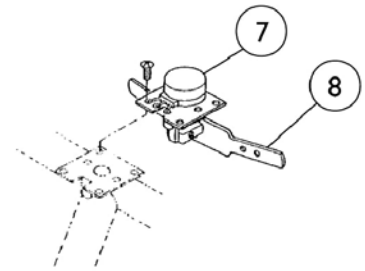
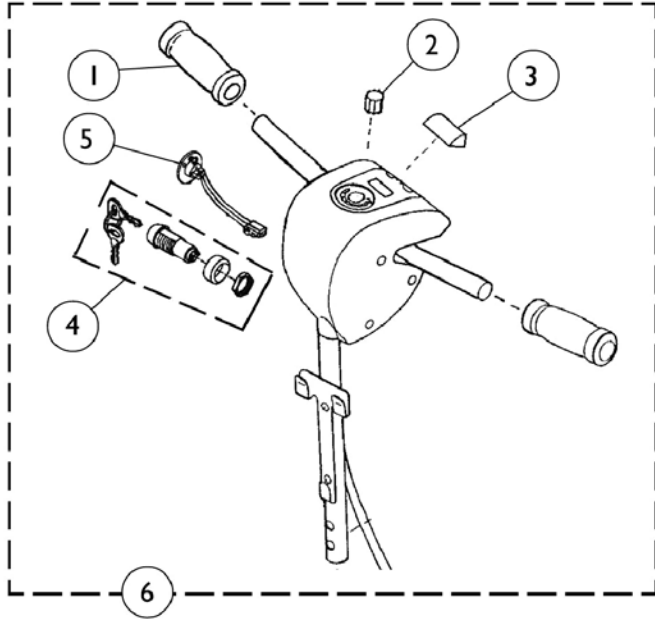
Item Number	Note	Part Number	Description	Quantity Per	
				Package	Assembly
1		1102248-NLA	NLA - Tiller Assembly w/ Harness - Lynx SX3P, Taupe	1	1
2	B	1113581-NLA	NLA - Tiller Assembly w/ Harness - Lynx SX3, Candy Red	1	1
2	B	1113582-NLA	NLA - Tiller Assembly w/ Harness - Lynx SX3, Deep Blue	1	1
3	B	1113579-NLA	NLA - Tiller Assembly w/ Harness - Lynx LX3, Candy Red	1	1
3	B	1113580-NLA	NLA - Tiller Assembly w/ Harness - Lynx LX3, Deep Blue	1	1
4	B	1113586-NLA	NLA - Delta Tiller Assembly w/ Harness, Candy Red - Lynx LX3 Plus	1	1
4	B	1113587-NLA	NLA - Delta Tiller Assembly with Harness, Deep Blue - Lynx LX3 Plus	1	1
4	B	1113588-NLA	NLA - Delta Tiller Assembly w/ Harness, Magic Black - Lynx LX3 Plus	1	1
5	B	1113583-NLA	NLA - Delta Tiller Assembly w/ Harness, Candy Red - Panther LX4	1	1
5	B	1113584-NLA	NLA - Delta Tiller Assembly w/ Harness, Deep Blue - Panther LX4	1	1
5	B	1113585-NLA	NLA - Delta Tiller Assembly w/ Harness, Magic Black - Panther LX4	1	1
6		1101278-NLA	NLA - Delta Tiller Assembly w/ Harness, Champagne - Panther MX4	1	1
7		1102927-NLA	NLA - Key Switch with Keys	1	1
7		1088704-NLA	NLA - Keys Only (Pair)	2	1
8		1091863-NLA	NLA - Charger Port - Lynx SX3P, Panther LX4 and Zoom-3	1	1
9		1091862-NLA	NLA - Cover, Charger Port - Lynx SX3/LX3/LX3 Plus and Panther MX4	1	1
10		1088706-NLA	NLA - Grips, Hand (Pair)	2	1
11	E	1088705-NLA	NLA - Knob, Tiller Speed	1	1
12		1088707-NLA	NLA - Canopy, LED	1	1
13	F	1101276-NLA	NLA - Potentiometer	1	1
14		1088708-NLA	NLA - Lever, Throttle	1	1
15		1088709-NLA	NLA - Handle, Latch with Spring and Pin	1	1
16		1099708-NLA	NLA - Swivel Bracket Assembly	1	1
17		1101275-NLA	NLA - Handle Bar w/ Hardware - LX3Plus, LX4 and MX4	1	1
18	D	1101271-NLA	NLA - Cover Assembly, Tiller - LX3 Plus (Woodgrain Finish)	1	1

**Tiller Assembly with Harness
(Manufactured After 12/01)
Lynx SX3P (After S/N 00F623034)
Lynx LX3 (After S/N 00F622314)
Panther LX4 (After S/N 00F622474)
Panther MX4 (After S/N 00F623494)**

Item Number	Note	Part Number	Description	Quantity Per	
				Package	Assembly
18	D	1102929-NLA	NLA - Cover Assembly, Tiller - LX3 Plus (Snake Skin Finish)	1	1
18	D	1102393	Cover Assembly, Tiller - LX4 (Woodgrain Finish)	1	1
18	D	1102930-NLA	NLA - Cover Assembly, Tiller - LX4 (Snake Skin Finish)	1	1
18	D	1101277-NLA	NLA - Cover Assembly, Tiller - MX4 (Woodgrain Finish)	1	1
	C	P755	Extension, Throttle Lever (Pair)	2	1
	C	1097017-NLA	NLA - Kit, Decal w/ Instruction Sheet, Forward/Reverse - Left Hand	1	1
	C	1088794-NLA	NLA - Tiller Hardware - All Models Includes: 2 each Bolt (M6 x 1.0 x 35) 2 each Nut, Self-Lock (6 x 10 x 8) 1 each Washer (8 x 39 x 2) 1 each Washer (8 x 39 x 1.6) 1 each Bolt (M8 x 1.25 x 50) 1 each Washer (8 x 22 x 2) 1 each Nut, Self-Lock (8 x 1.25 x 13)	1	1
<p>NOTE: B - After 12/01 C - Not Shown D - Old style has charger port on left side with warning label above; new style has black plug button siliconed inside hole. E - This Knob is used on all tiller models - it is not shown on some. F - The Throttle Lever is included with this item. If the tiller for this part is for is not a "Delta" tiller, please contact the technical services department for instructions on replacing this item.</p>					

Tiller Assembly with Harness

Zoom-3

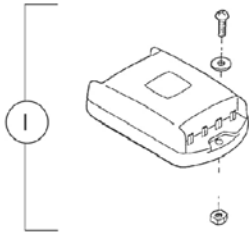


Tiller Assembly with Harness Zoom-3

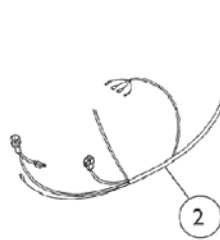
Item Number	Note	Part Number	Description	Quantity Per	
				Package	Assembly
1		1088706-NLA	NLA - Grips, Hand (Pair)	2	1
2	B	1088705-NLA	NLA - Knob, Tiller Speed	1	1
3		1088707-NLA	NLA - Canopy, LED	1	1
4		1102927-NLA	NLA - Key Switch with Keys	1	1
4		1088704-NLA	NLA - Keys Only (Pair)	2	1
5		1091863-NLA	NLA - Charger Port - Lynx SX3P, Panther LX4 and Zoom-3	1	1
6		1105920-NLA	NLA - Tiller Assembly with Harness	1	1
7	C	1101276-NLA	NLA - Potentiometer	1	1
8		1088708-NLA	NLA - Lever, Throttle	1	1
9		1105921-NLA	NLA - Joint Base Assembly	1	1
	A	P755	Extension, Throttle Lever (Pair)	2	1
	A	1097017-NLA	NLA - Kit, Decal w/ Instruction Sheet, Forward/Reverse - Left Hand	1	1
	A	1088794-NLA	NLA - Tiller Hardware - All Models Includes: 2 each Bolt (M6 x 1.0 x 35) 2 each Nut, Self-Lock (6 x 10 x 8) 1 each Washer (8 x 39 x 2) 1 each Washer (8 x 39 x 1.6) 1 each Bolt (M8 x 1.25 x 50) 1 each Washer (8 x 22 x 2) 1 each Nut, Self-Lock (8 x 1.25 x 13)	1	1
NOTE: A - Not Shown B - This Knob is used on all tiller models - it is not shown on some. C - The Throttle Lever is included with this item. If the tiller for this part is for is not a "Delta" tiller, please contact the technical services department for instructions on replacing this item.					

Controller & Harnesses

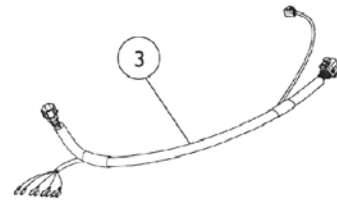
**CONTROLLER
(All Models)**



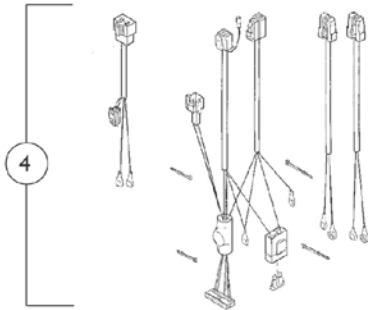
**INTERMEDIATE HARNESS
(STANDARD Tillers)**



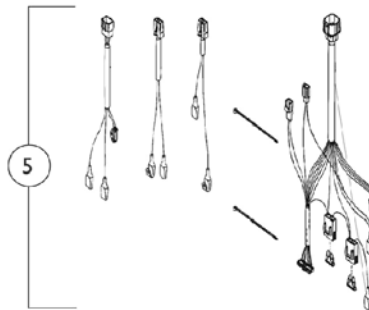
**INTERMEDIATE HARNESS
(DELTA Tillers)**



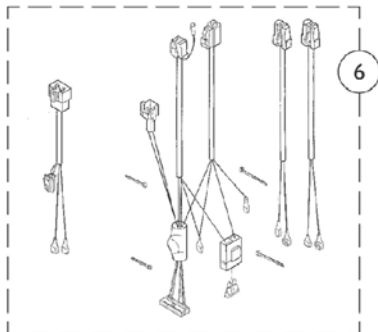
**CONTROLLER HARNESSSES
(STANDARD Tillers) ⌚ Before 01/02**



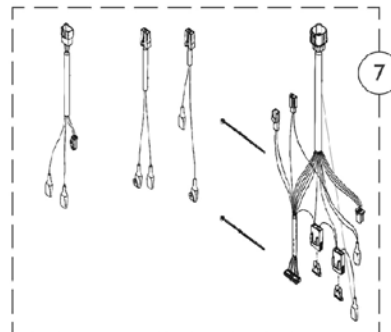
**CONTROLLER HARNESSSES
(DELTA Tillers) ⌚ Before 01/02**



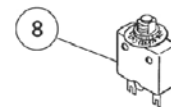
**CONTROLLER HARNESSSES
(STANDARD Tillers) ⌚ After 12/01**



**CONTROLLER HARNESSSES
(DELTA Tillers) ⌚ After 12/01**



**CIRCUIT
BREAKER
(All Models)**



⌚ Panther MX4 scooters were not affected by the controller change. MX4 scooters will continue to use harness items 4 or 5 regardless of date manufactured.

Controller & Harnesses

Item Number	Note	Part Number	Description	Quantity Per	
				Package	Assembly
1		See Chart	#1 Controllers	1	1
2	E	1090496-NLA	NLA - Harness, Intermediate - Standard Tillers, Lynx SX3P/ SX3/ LX3 and Panther LX4	1	1
2		1105923-NLA	NLA - Harness, Intermediate - Standard Tillers, Zoom-3	1	1
2		1090497-NLA	NLA - Harness, Intermediate - Standard Tillers, Panther MX4	1	1
3		1104352-NLA	NLA - Harness, Intermediate - Delta Tillers, Lynx LX3 Plus, Panther LX4/ MX4	1	1
4	B	1088749-NLA	NLA - Harnesses, Controller - Standard Tillers, Lynx SX3P/ SX3/ LX3 and Panther LX4	1	1
4		1105924-NLA	NLA - Harness, Controller - Standard Tillers, Zoom-3	1	1
4	C	1088781-NLA	NLA - Harnesses, Controller - Standard Tillers, Panther MX4	1	1
5	B	1104353-NLA	NLA - Harness, Controller - Delta Tillers, Lynx LX3 Plus & Panther LX4	1	1
5	C	1104354-NLA	NLA - Harness, Controller - Delta Tillers, Panther MX4	1	1
6	D	1111764-NLA	NLA - Harnesses, Controller - Standard Tillers, Lynx LX3 Plus and Panther LX4	1	1
7	D	1111765-NLA	NLA - Harnesses, Controller - Delta Tiller, Lynx LX3 Plus and Panther LX4	1	1
8		1088748-NLA	NLA - Circuit Breaker (30 AMP) - Lynx SX3P/ SX3/ LX3/ LX3 Plus, Panther LX4 and Zoom-3	1	1
8		1088780-NLA	NLA - Circuit Breaker (40 AMP) - Panther MX4	1	1
	A	1112236-NLA	NLA - Fuse (5 AMP)	1	1
	A	1098892-NLA	NLA - Fuse - Buss ATC-15 (15 AMP)	1	1

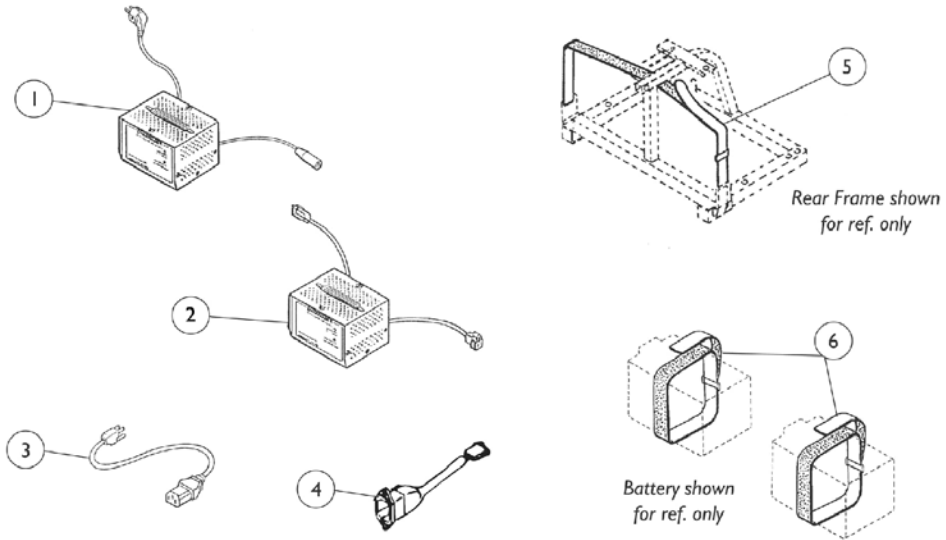
NOTE: A - Not Shown
 B - Scooters built Before 01/02
 C - Panther MX4 scooters were not affected by the controller change, MX4 scooters will continue to use harness items 4 or 5 regardless of date manufactured.
 D - Scooters built After 12/01
 E - No Longer Available.

#1 Controllers with Attaching Hardware

Tiller Style	SX3P/SX3 LX3/LX4 Before 1/02	SX3P/SX3/LX3 After 12/01	LX3 Plus and Panther LX4 Before 1/02	LX3 Plus and Panther LX4 After 12/01	Panther MX4	Zoom-3
Standard	1088713-NLA	1107105-NLA See Note(s) A	N/A	N/A	1088714-NLA	1107104-NLA
Delta	N/A	N/A	1106219-NLA	1118794-NLA	1106220-NLA	N/A

NOTE: A - Panther LX4 scooters were not available with Standard Tillers After 12/01.

Battery Harnesses & Chargers



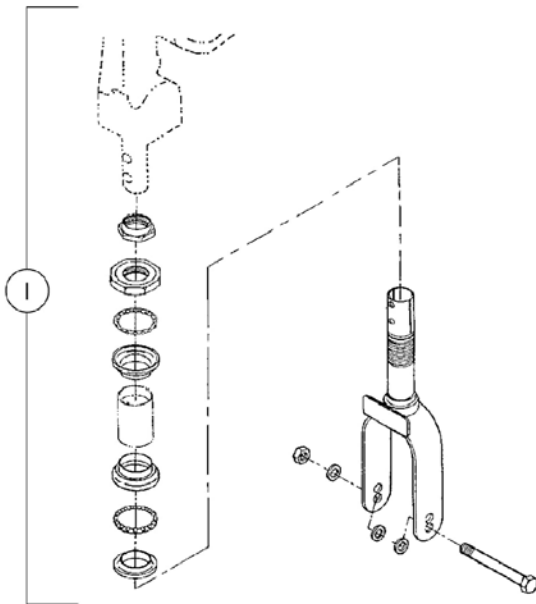
Battery Harnesses & Chargers

Item Number	Note	Part Number	Description	Quantity Per	
				Package	Assembly
1		1105925-NLA	NLA - Charger, Battery, Off Board, Zoom-3, 2 Amp	1	1
1		1088743-NLA	NLA - Charger, Battery, Off Board, 3 Amp, Lynx SX3P and Panther LX4	1	1
2		1088744-NLA	NLA - Charger, Battery, On Board, Lynx SX3/ LX3/ LX3 Plus and Panther MX4	1	1
3		1088745-NLA	NLA - Cord, Charger, AC	1	1
4		1099754-NLA	NLA - Charging Cable, On Board with Hardware (Lynx SX3/ LX3/ LX3 Plus and Panther MX4) Includes: (1) Charging Cable, (2) Screw, Phillips Pan Head (M3 x 0.5 x 16) 2 ea. Washer (3.2 x 10 x 0.8) 2 ea. Locknut (M3 x 0.5 x 6) 2 ea. Cable Tie 1 ea. Tube, PVC (19 x 20 x 260L)	1	1
5		1088741-NLA	NLA - Strap, Battery Fastening (All Models)	1	1
6		1088742-NLA	NLA - Strap, Carrying, Battery	2	1
	A	1088750-NLA	NLA - Harness, Battery Cable (Positive/ Negative) - Lynx SX3P/ SX3/ LX3/ LX3 Plus and Panther LX4	1	1
	A	1105926-NLA	NLA - Harness, Battery Cable (Positive/ Negative) - Zoom-3	1	1
	A	1088751-NLA	NLA - Harness, Battery Cable (Positive/ Negative) - Panther MX4	1	1

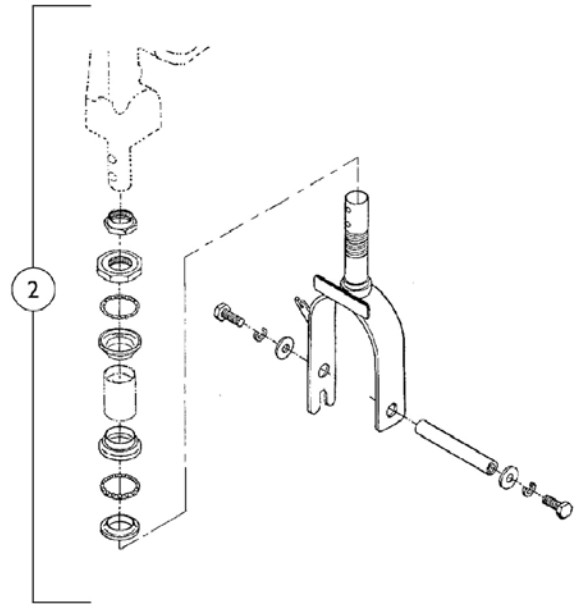
NOTE: A - Not Shown

Forks & Hardware

**Lynx SX3P/SX3
Zoom-3**



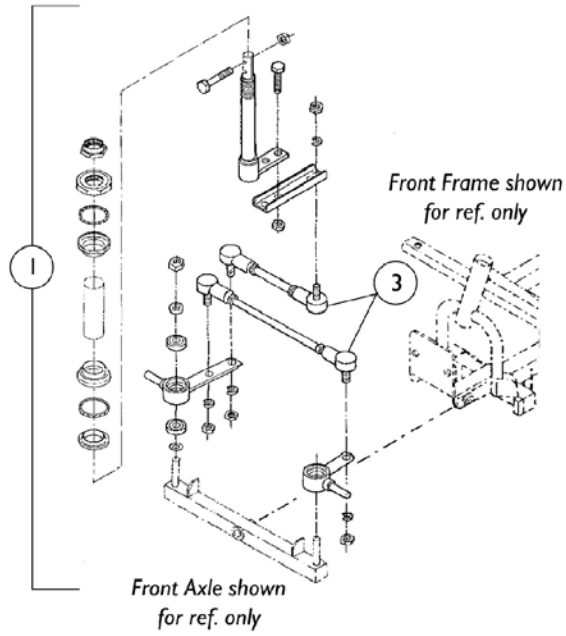
Lynx LX3/LX3^{Plus}



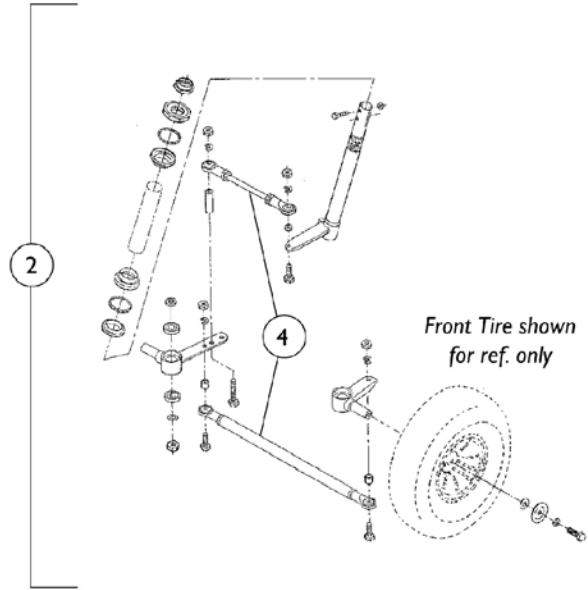
Item Number	Note	Part Number	Description	Quantity Per	
				Package	Assembly
1		1088725-NLA	NLA - Fork with Bearings and Hardware	1	1
2		1088724-NLA	NLA - Fork with Bearings and Hardware	1	1

Steering Assembly

Panther LX4



Panther MX4

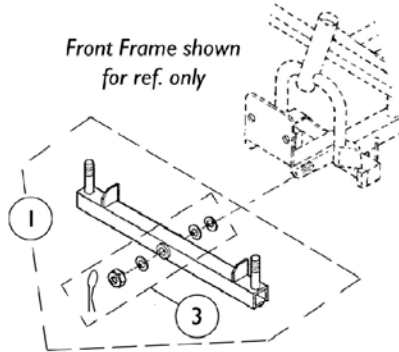


Steering Assembly

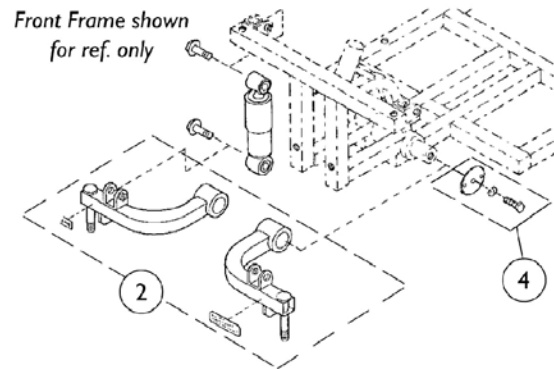
Item Number	Note	Part Number	Description	Quantity Per	
				Package	Assembly
1		1088726-NLA	NLA - Steering Assembly	1	1
2		1088727-NLA	NLA - Steering Assembly	1	1
3		1088787-NLA	NLA - Tie Rods, Panther LX4 (Pair - 1 Long, 1 Short)	2	1
4		1088766-NLA	NLA - Tie Rods, Panther MX4 (Pair - 1 Long, 1 Short)	2	1
	A	1088798-NLA	NLA - Steering Hardware - Panther LX4 Includes: 2 each Bolt (M6 x 1.0 x 35) 2 each Nut, Self-Lock (6 x 10 x 8) 2 each Nut, Self-Lock (8 x 13) 2 each Bolt (M8 x 1.25 x 20) 1 each U-Plate	1	1
	A	1091141-NLA	NLA - Steering Hardware - Panther MX4 Includes: 2 each Bolt (M6 x 1.0 x 35) 2 each Nut, Self-Lock (6 x 10 x 5) 1 each Screw, Hex (M8 x 1.25 x 30) 1 each Washer (8.1 x 13 x 3) 4 each Nut, Self-Lock (8 x 1.25 x 13) 2 each Screw, Hex (M8 x 1.25 x 35) 2 each Spacer (12 x 8) 1 each Screw, Hex (M8 x 1.25 x 60) 1 each Spacer (12 x 35)	1	1
NOTE: A - Not Shown					

Front Axle Assembly

Panther LX4

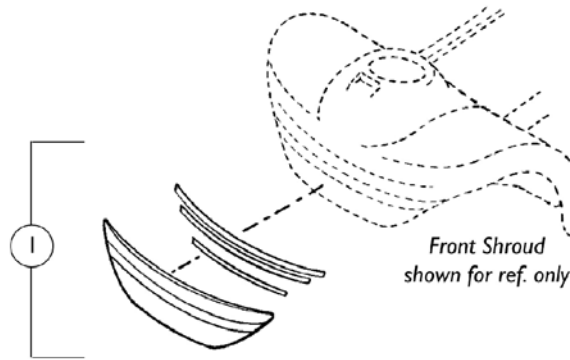


Panther MX4



Item Number	Note	Part Number	Description	Quantity Per	
				Package	Assembly
1		1088785-NLA	NLA - Front Axle Assembly, Panther LX4	1	1
2		1088783-NLA	NLA - Front Axle Assembly, Panther MX4	1	1
3		1088799-NLA	NLA - Hardware, Front Axle , Panther LX4 Includes: 3 each Washer (12 x 21 x 1/2) 1 each Nut, Self-Lock (12 x 19) 1 each Pin, Split (2-1/2 x 18)	1	1
4		1091145-NLA	NLA - Hardware, Front Axle, Panther MX4 Includes: 2 each Washer (8 x 45 x 3) 2 each Washer, Spring (8 x 13) 2 each Bolt (M8 x 1-1/4 x 20)	1	1

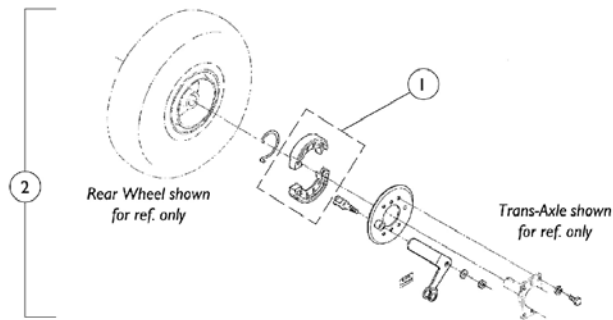
Front Bumper Cover - Panther LX4



Item Number	Note	Part Number	Description	Quantity Per	
				Package	Assembly
1		1088786-NLA	NLA - Cover, Front Bumper, Panther LX4	1	1

Disc Brake Assembly - Panther MX4

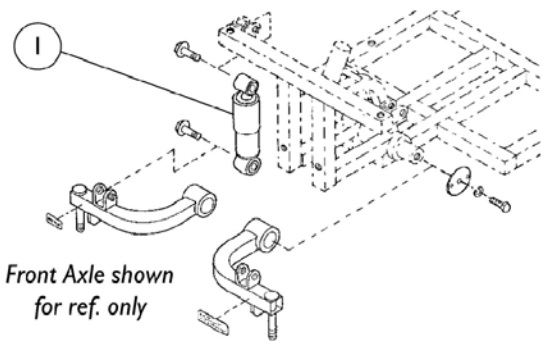
Available Only on Standard Tiller Models (Before S/N 00F623495)



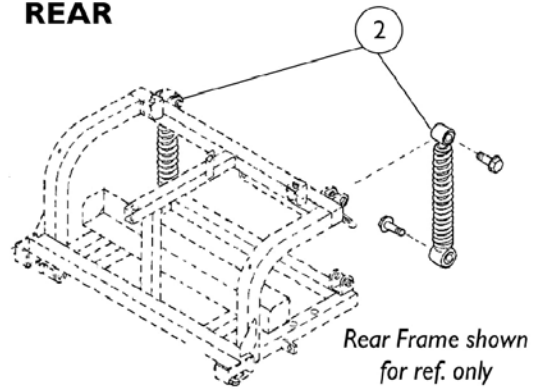
Item Number	Note	Part Number	Description	Quantity Per	
				Package	Assembly
1		1088789-NLA	NLA - Shoes, Disc Brake (Pair)	2	1
2		1088784-NLA	NLA - Disc Brake Assembly w/ Shoes and Hardware - Panther MX4	1	1

Shocks - Panther MX4

FRONT



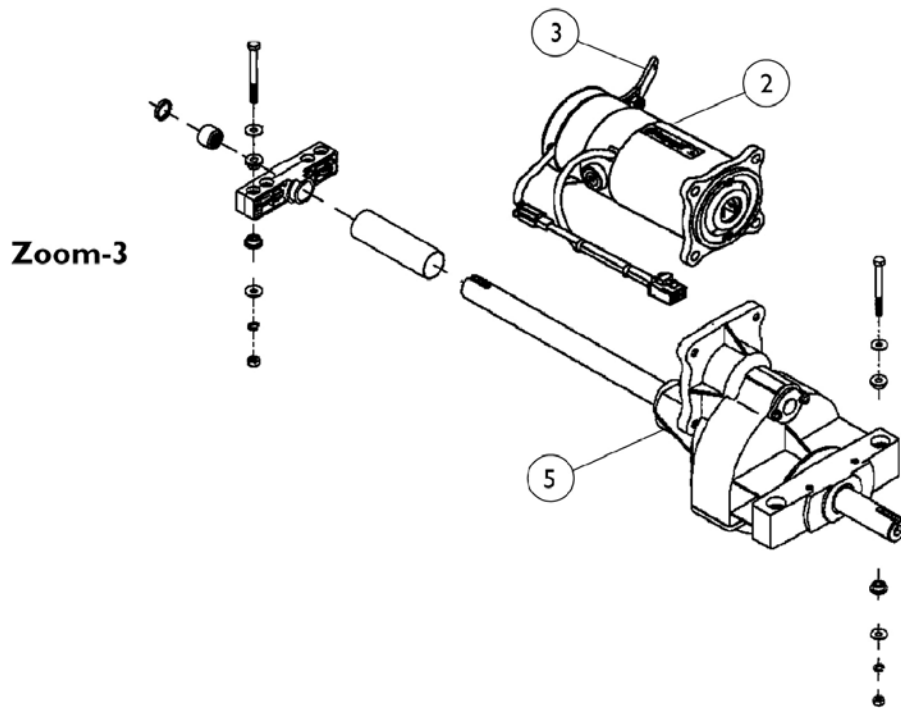
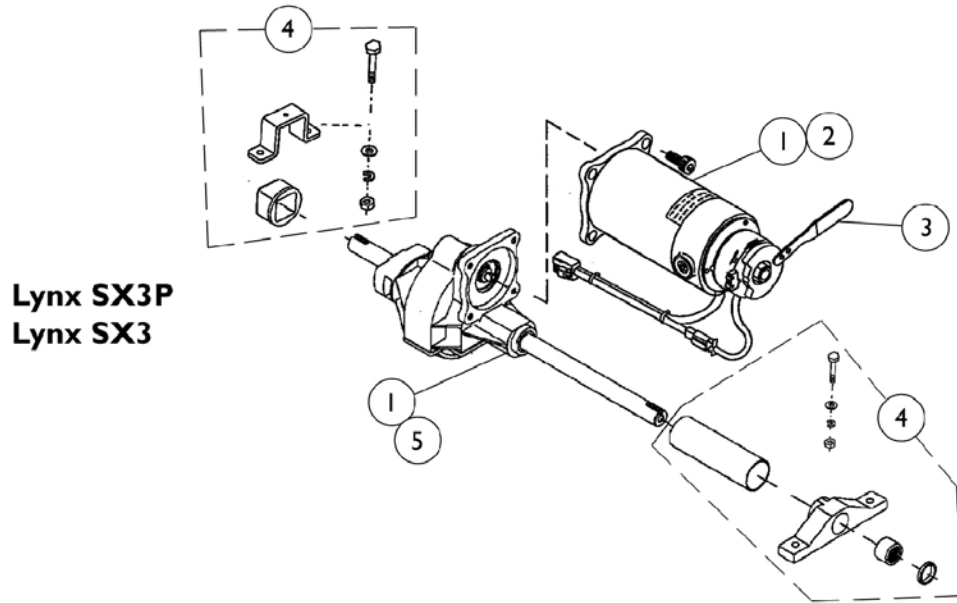
REAR



Item Number	Note	Part Number	Description	Quantity Per	
				Package	Assembly
1		1088728-NLA	NLA - Shock Absorbers with Hardware - Front (Pair)	2	1
2		1088729-NLA	NLA - Shock Absorbers with Hardware - Rear (Pair)	2	1

Trans-Axle Assembly

Lynx SX3P/SX3 & Zoom-3



Trans-Axle Assembly Lynx SX3P/SX3 & Zoom-3

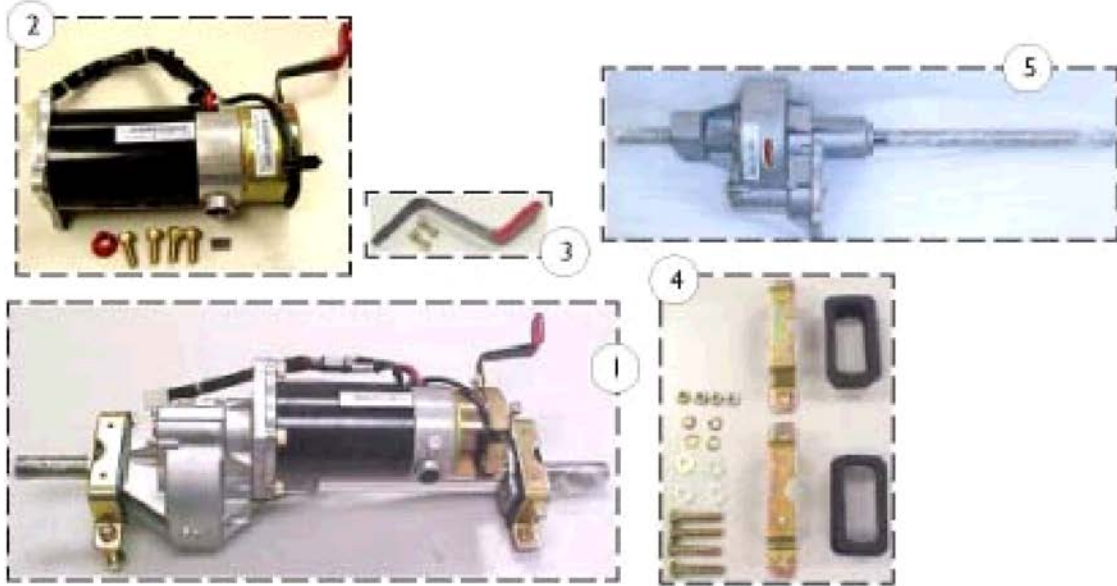
Item Number	Note	Part Number	Description	Quantity Per	
				Package	Assembly
1	B	1088730-NLA	NLA - Trans-Axle w/ Motor and Brake (Lynx SX3P/ SX3)	1	1
2		1088733-NLA	NLA - Motor and Brake - Lynx SX3P/ SX3	1	1
2		1105928-NLA	NLA - Motor and Brake - Zoom-3	1	1
3		1088737-NLA	NLA - Lever, Brake Release - Lynx SX3P/ SX3	1	1
3		1105929-NLA	NLA - Lever, Brake Release - Zoom-3	1	1
4		1088795-NLA	NLA - Hardware, Trans-Axle - Lynx SX3P/ SX3	1	1
			Includes: (2 ea) Rubber, (1 ea) Bracket, (2 ea) Bolt (M8 x 1-1/4 x 55), (2 ea) Bolt (M8 x 1.25 x 45), (4 ea) Washer (8 x 2 x 22), (4 ea) Spring Washer (8 x 13), and (4 ea) Self-Lock Nut (M8 x 13).		
5	B	1099709-NLA	NLA - Trans-Axle - Lynx SX3P/ SX3	1	1
5		1105927-NLA	NLA - Trans-Axle w/ Hardware - Zoom-3	1	1
	A	1099736-NLA	NLA - Brush, Motor (Pair)	2	1
NOTE: A - Not Shown B - This part does NOT include the hardware.					

Trans-Axle Assembly

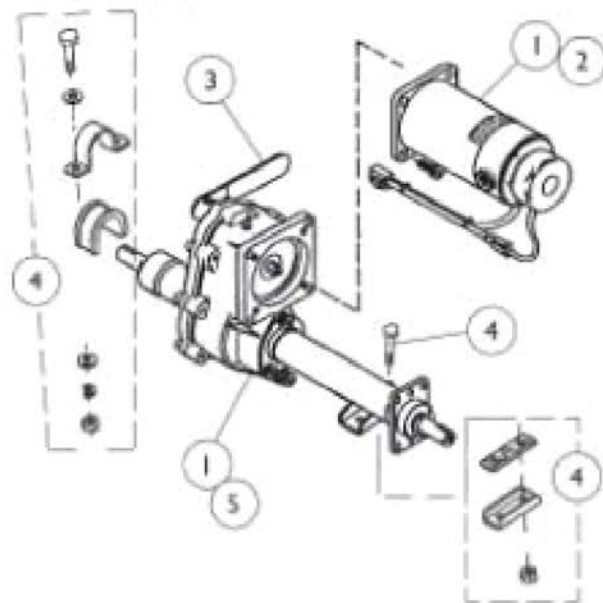
Lynx LX3/LX3Plus

Panther LX4/MX4

Lynx LX3/LX3Plus
Panther LX4



Panther MX4



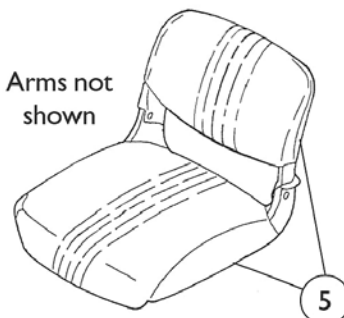
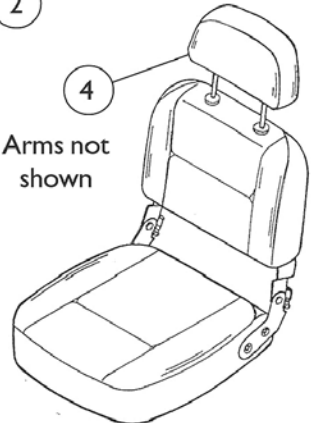

Trans-Axle Assembly

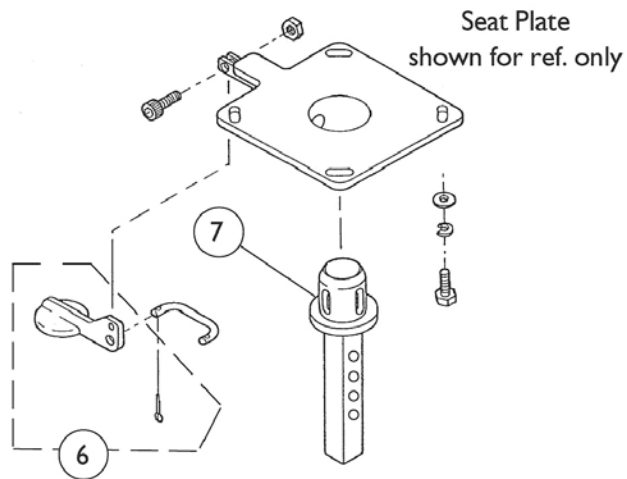
Lynx LX3/LX3Plus Panther LX4/MX4

Item Number	Note	Part Number	Description	Quantity Per	
				Package	Assembly
1		1088731-NLA	NLA - Trans-Axle w/ Motor and Brake - Lynx LX3/ LX3Plus and Panther LX4	1	1
1		1088732-NLA	NLA - Trans-Axle w/ Motor and Brake - Panther MX4	1	1
2		1088734-NLA	NLA - Motor and Brake - Lynx LX3/ LX3 Plus and Panther LX4	1	1
2		1088736-NLA	NLA - Motor and Brake - Panther MX4	1	1
3		1088739-NLA	NLA - Lever, Brake Release - Lynx LX3/ LX3 Plus and Panther LX4	1	1
3		1088740-NLA	NLA - Lever, Brake Release - Panther MX4	1	1
4		1091136-NLA	NLA - Hardware, Trans-Axle - Lynx LX3/ LX3 Plus and Panther LX4 Includes: 2 each Rubber 2 each Bracket 4 each Bolt (M8 x 1-1/4 x 45) 4 each Washer (8 x 22 x 2) 4 each Washer, Spring (8 x 13) 4 each Nut, Self-Lock (8 x 13)	1	1
4		1091142-NLA	NLA - Hardware, Trans-Axle - Panther MX4 Includes: 1 each Rubber 1 each Bracket 1 each Bracket 1 each Rubber 2 each Bolt (M8 x 1.25 x 45) 2 each Screw (M8 x 1.25 x 50) 4 each Washer (8 x 22 x 2) 2 each Washer, Spring (8 x 13) 4 each Nut, Self-Lock (8 x 1.25 x 13)	1	1
5		1099710-NLA	NLA - Trans-Axle - Lynx LX3/ LX3 Plus and Panther LX4	1	1
5		1099711-NLA	NLA - Trans-Axle - Panther MX4	1	1
	A,B	1099736-NLA	NLA - Brush, Motor (Pair)	2	1
NOTE: A - Not Shown B - Brushes are for use on Motors manufactured before December 2002; any Motor Manufactured after December 2002, a new Motor will need to be ordered.					

Seat Assembly

Lynx SX3P/SX3/LX3/LX3 Plus Panther LX4/MX4

<p>①</p>  <p>Arms not shown</p>	<p>②</p>  <p>Arms not shown</p>	<p>③</p>  <p>Arms not shown</p>
<p>Contour Cloth Seat (Includes: Arms and Seat Plate)</p>	<p>Deluxe Vinyl Seat (Includes: Arms and Seat Plate)</p>	<p>Deluxe Vinyl Extra Wide Seat (Includes: Arms and Seat Plate)</p>



Seat Assembly

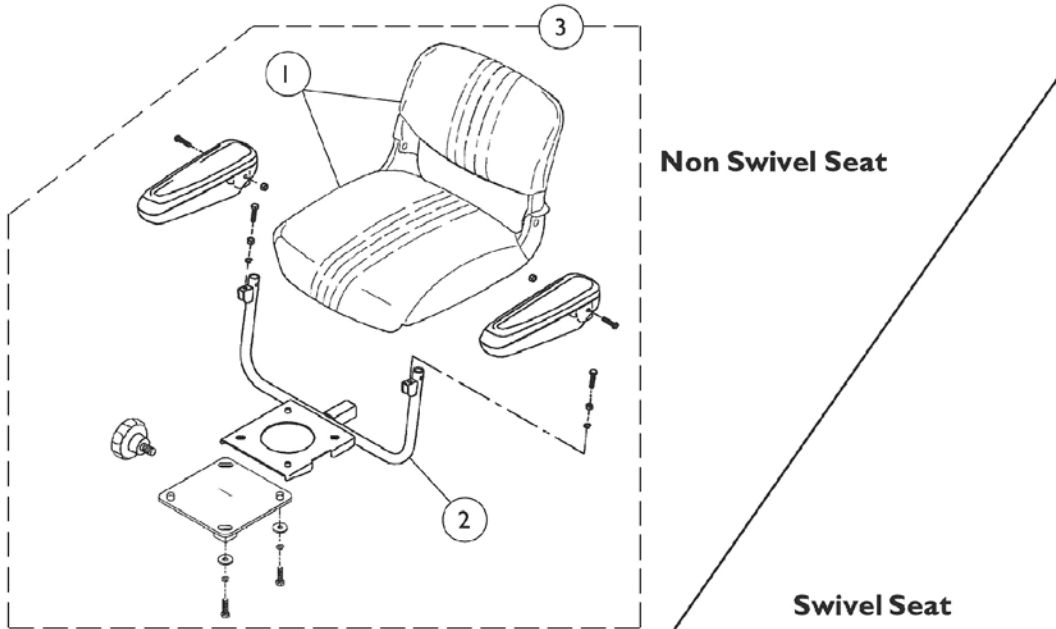
Lynx SX3P/SX3/LX3/LX3 Plus Panther LX4/MX4

Item Number	Note	Part Number	Description	Quantity Per	
				Package	Assembly
1	A,C	1088753-NLA	NLA - Seat Assembly, Contour Cloth - Lynx SX3P/ SX3/ LX3	1	1
2	A	1088754-NLA	NLA - Seat Assembly, Deluxe Vinyl - Lynx LX3/ LX3 Plus	1	1
2	A	1091861-NLA	NLA - Seat Assembly, Deluxe Vinyl with Sliders - Panther LX4	1	1
3	A	1088755-NLA	NLA - Seat Assembly, Deluxe Extra Wide Vinyl w/ Sliders - Panther MX4	1	1
4		1088759-NLA	NLA - Headrest, Vinyl (Black and White) - Lynx LX3/ LX3 Plus and Panther LX4/ MX4	1	1
4		1106211-NLA	NLA - Headrest, Vinyl (Gray) - Lynx LX3/ LX3 Plus and Panther LX4/ MX4	1	1
5		1088757-NLA	NLA - Upholstery w/ Foam, Contour Seat and Back, Lynx SX3P/ SX3/ LX3 and Zoom-3 - Cloth	1	1
5		1088758-NLA	NLA - Upholstery with Foam, Contour Seat, and Back	1	1
6		1088756-NLA	NLA - Handle, Seat Swivel with Pin	1	1
7		1102926-NLA	NLA - Post, Adjustable Height Seat	1	1
	B	P715	Strap, Seat Positioning - All Models	1	1

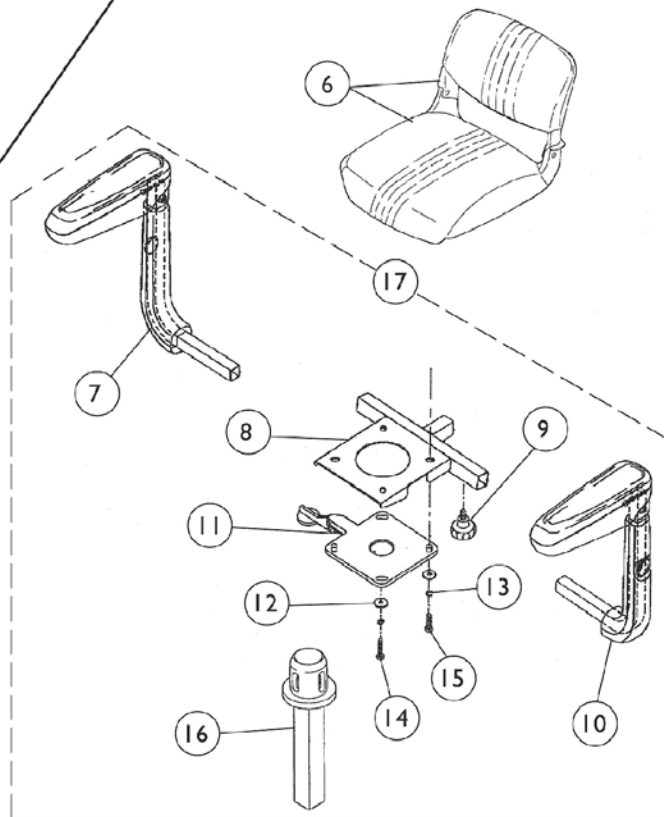
NOTE: A - Seat Assembly includes Arms and Seat Plate
 B - Not Shown
 C - No Longer Available.

Seat Assembly

Zoom-3



Swivel Seat



Seat Assembly Zoom-3

Item Number	Note	Part Number	Description	Quantity Per	
				Package	Assembly
1		1088757-NLA	NLA - Upholstery w/ Foam, Contour Seat and Back, Lynx SX3P/ SX3/ LX3 and Zoom-3 - Cloth	1	1
2		1105933-NLA	NLA - Stand, Seat, Non-Swivel	1	1
3	A	1105930-NLA	NLA - Seat Assembly, Non-Swivel (Cloth)	1	1
4		1105932-NLA	NLA - Pin, Connecting	1	1
5		1105931-NLA	NLA - Post, Seat	1	1
6		1116938-NLA	NLA - Seat Assembly, Cloth	1	1
7	B	1116930-NLA	NLA - Arm Assembly -Right	1	1
8		1088762-NLA	NLA - Stand, Seat, Swivel	1	1
9		1088768-NLA	NLA - Knob, Lower Arm Tightening	1	2
10	B	1116929-NLA	NLA - Arm Assembly -Left	1	1
11		1116932-NLA	NLA - Swivel, Seat	1	1
12		1116933-NLA	NLA - Washer	1	4
13		1116934-NLA	NLA - Washer, Spring	1	4
14		1116935-NLA	NLA - Screw, Hex Head Cap (M8 x 1.25 x 35mm)	1	2
15		1116936-NLA	NLA - Screw, Hex Head Cap (M8 x 1.25 x 30mm)	1	2
16		1102926-NLA	NLA - Post, Adjustable Height Seat	1	1
17	C	1116939-NLA	NLA - Swivel Seat Conversion Kit	1	1
	D	1118357-NLA	NLA - Instruction Sheet, Swivel Seat Conversion Kit	1	1

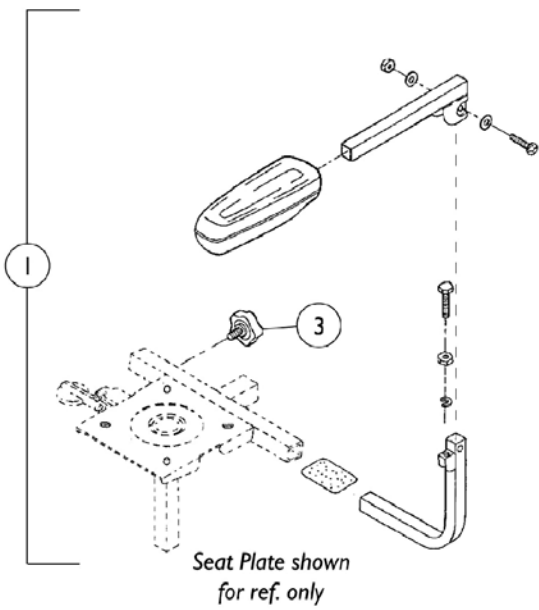
NOTE: A - Seat Assembly includes items 1-2 plus Seat Stand, Adaptor, Seat Knob, Arm Pads, and Hardware.
 B - Includes Arm Tube and Arm Pad
 C - Includes items 7-16 plus Instruction Sheet
 D - Not Shown

Arm Assembly

Arms for Zoom-3 models are included with the Zoom-3 Seat Assembly.

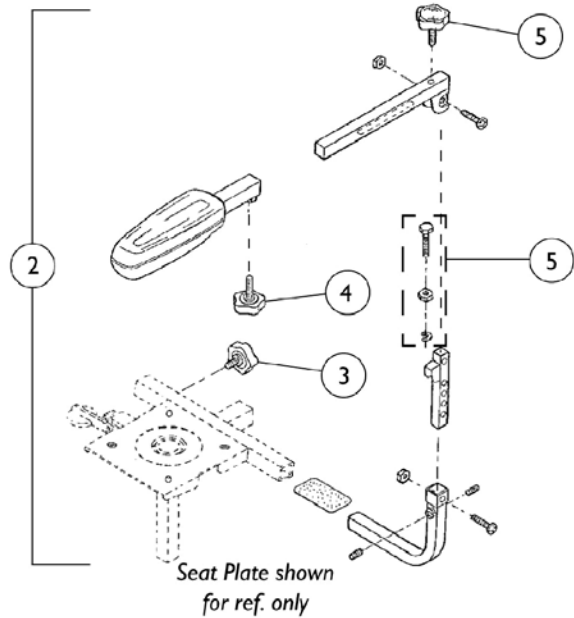
Lynx SX3P
Lynx SX3
Lynx LX3

Contour Seats (Fixed Height)



Lynx LX3^{Plus}
Panther LX4
Panther MX4

Deluxe Seats (Adjustable Height)



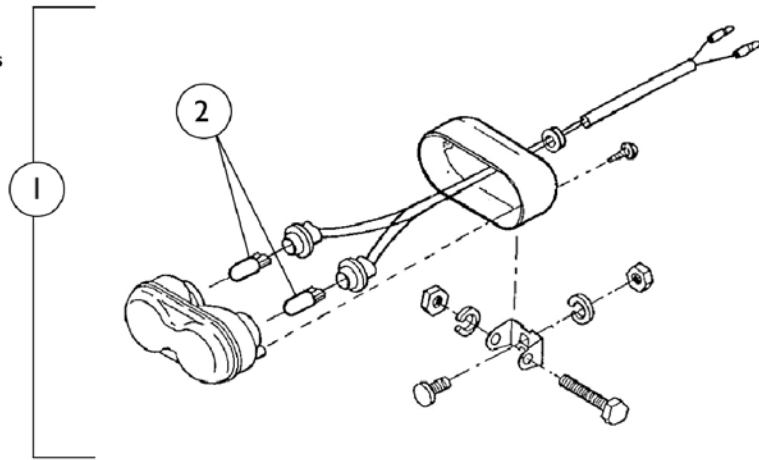
Arm Assembly

Arms for Zoom-3 models are included with the Zoom-3 Seat Assembly.

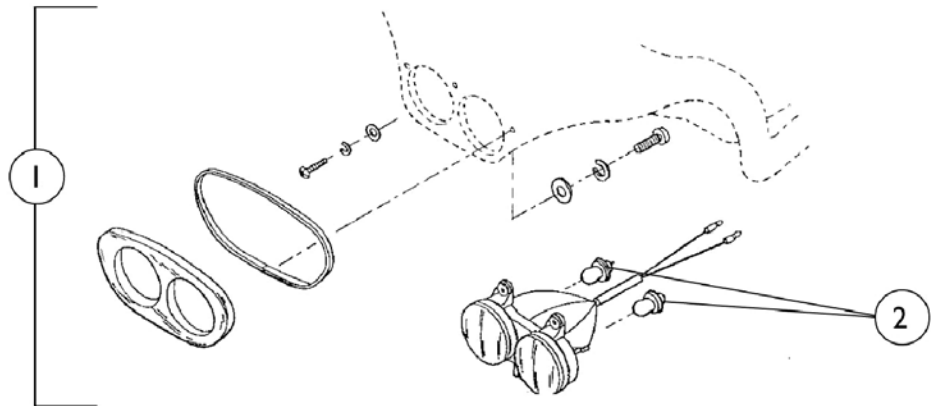
Item Number	Note	Part Number	Description	Quantity Per	
				Package	Assembly
1	A	1088763-NLA	NLA - Arm Assembly, Contour Seat (Fixed Height), Lynx SX3P/ SX3/ LX3	2	1
2	A	1088764-NLA	NLA - Arm Assembly, Deluxe Seat (Adjustable Height), Lynx LX3 Plus and Panther LX4/ MX4	2	1
3		1088768-NLA	NLA - Knob, Lower Arm Tightening	1	2
4		1088769-NLA	NLA - Knob, Upper Arm Tightening	1	2
5	B	1088770	Knob, Angle Adjustment - Before S/N 00E412823	1	2
5	B	1101279-NLA	NLA - Hardware, Arm Angle Adjustment, After S/N 00E412822	1	2
	C	1088796-NLA	NLA - Hardware, Arm, Contour Seat Includes: 1 each Washer, Spring (8 x 13) 2 each Nut (M8 x 13) 1 each Screw, Hex (M8 x 1-1/4 x 35) 2 each Washer (8.6 x 20.8 x 1) 1 each Screw (M8 x 1.25 x 40)	1	1
	C	1091143-NLA	NLA - Hardware, Arm, Deluxe Seat Includes: 2 each Screw (M8 x 1-1/4 x 8) 1 each Screw (M8 x 1-1/4 x 40) 2 each Nut, Self-Lock (8 x 1-1/4 x 13) 1 each Screw (M8 x 1.25 x 32)	1	1
NOTE: A - Arm Assembly does NOT include Adjustment Knobs (Item 3, 4 and 5). They must be ordered separately B - Due to a design change the Angle Adjustment Knob has been replaced by Arm Angle Adjustment Hardware C - Not Shown					

Headlight Assembly

**Lynx LX3/LX3^{Plus}
Panther LX4**



Panther MX4

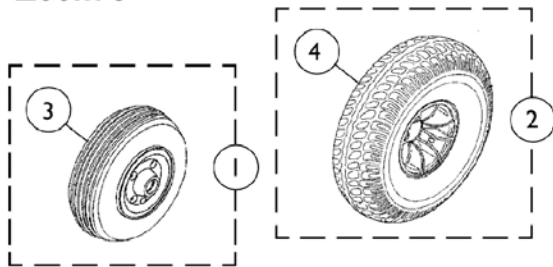


Headlight Assembly

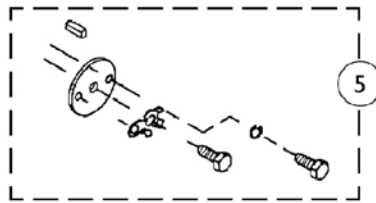
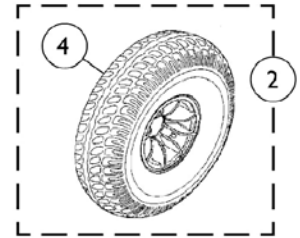
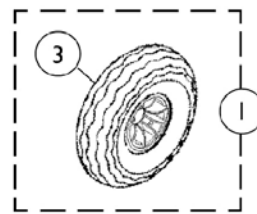
Item Number	Note	Part Number	Description	Quantity Per	
				Package	Assembly
1		1088771-NLA	NLA - Head Light Assembly - Lynx LX3/ LX3 Plus/ Panther LX4	1	1
1		1088772-NLA	NLA - Head Light Assembly - Panther MX4	1	1
2		1088773-NLA	NLA - Bulbs, Head Light - Lynx LX3/ LX3 Plus and Panther LX4	2	1
2		1091868-NLA	NLA - Bulbs, Head Light - Panther MX4	2	1
	A	1088735-NLA	NLA - Head Light Hardware - Lynx LX3/ LX3 Plus Includes: 1 each Plate 2 each Bolt, (M6 x 1.0 x 35) 2 each Nut, Self-Lock (6 x 10 x 8)	1	1
	A	1091144-NLA	NLA - Head Light Hardware - Panther MX4 Includes: 1 each Screw (M4 x 0.7 x 15) 1 each Washer, Spring (4 x 7 x 1.25) 3 each Washer (4 x 12 x 0.8) 1 each Screw (M4 x 0.7 x 80) 2 each Washer (6 x 18 x 1.6) 2 each Washer, Spring (6 x 10) 2 each Screw, Nylock (M6 x 1.0 x 16)	1	1
NOTE: A - Not Shown					

Wheels

**Lynx SX3P/SX3
Zoom-3**



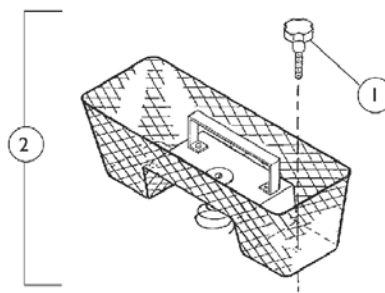
**Lynx LX3/LX3^{Plus}
Panther LX4/MX4**



Baskets

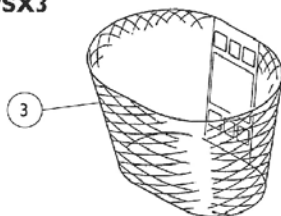
Floor Basket

Lynx SX3P/SX3
Lynx LX3/LX3^{Plus}
Panther LX4/MX4

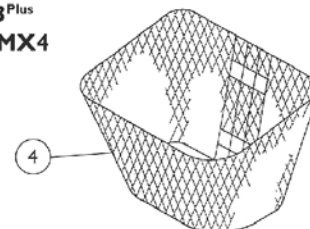


Tiller Basket

Lynx SX3P/SX3
Zoom-3



Lynx LX3/LX3^{Plus}
Panther LX4/MX4

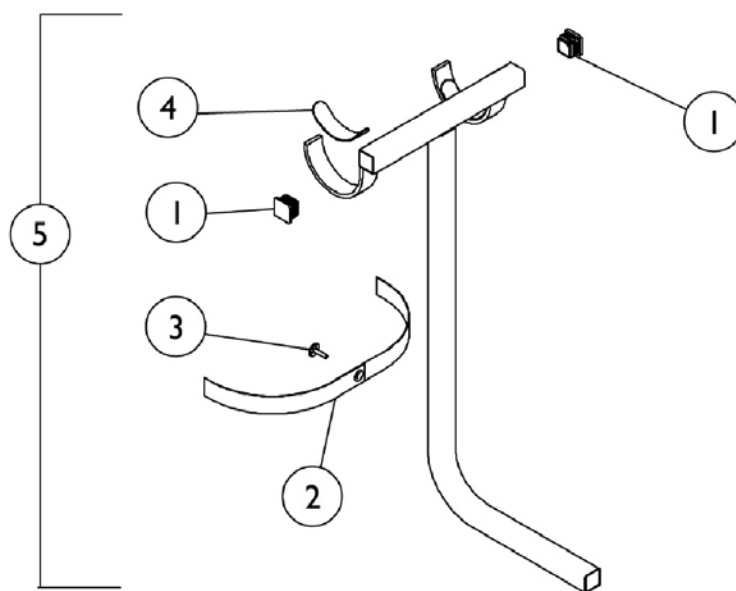


Item Number	Note	Part Number	Description	Quantity Per	
				Package	Assembly
1		1088791-NLA	NLA - Knob, Basket Release	1	2
2		1088775-NLA	NLA - Basket, Floor (Includes: Spring, Handle, and Knobs)	1	1
3		1111311-NLA	NLA - Basket, Tiller - Lynx SX3P/ SX3 and Zoom-3	1	1
4		1090465-NLA	NLA - Basket, Tiller - Lynx LX3/ LX3 Plus and Panther LX4/ MX4	1	1

Accessories

THE PRODUCTION OF THE P725 IS CURRENTLY SUSPENDED. CONTACT CUSTOMER SERVICE FOR ORDERING OPTIONS.

WALKER HOLDER



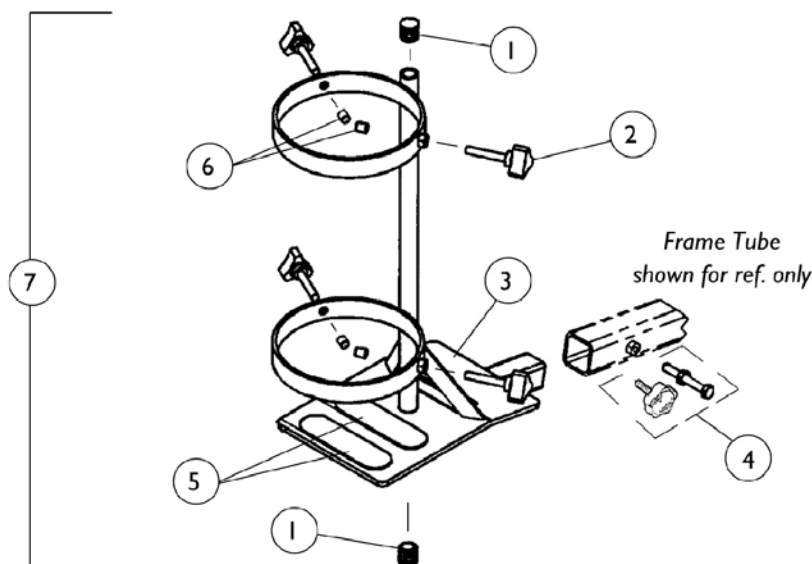
Accessories

THE PRODUCTION OF THE P725 IS CURRENTLY SUSPENDED. CONTACT CUSTOMER SERVICE FOR ORDERING OPTIONS.

Description	Part Number	Package Quantity
Flag, Safety	P710	1
Strap, Seat Positioning - All Models	P715	1
Extension, Throttle Lever (Pair)	P755	2
Walker Holder	P770 P775 See Note(s) C	1

NOTE: A - Batteries are an Equipment Item and are shown for reference only.
B - See Oxygen Holder page for details.
C - See Walker Holder page for details.
D - THE PRODUCTION OF THE P725 IS CURRENTLY SUSPENDED. CONTACT CUSTOMER SERVICE FOR ORDERING OPTIONS.

Accessories - Oxygen Holder



Item Number	Note	Part Number	Description	Quantity Per	
				Package	Assembly
1		1035614	Plug Button, Black (5/8")	1	2
2		1027684	Knob, Clamping, Black	1	4
3		1080866	Decal, Oxygen Warning - English	1	1
3		1090093-NLA	NLA - Decal, Oxygen Warning - French Canadian	1	1
3		1092793-NLA	NLA - Decal, Oxygen Warning - Domestic Spanish	1	1
4	C	1088765-NLA	NLA - Fastener Hardware, Accessory Tube Includes: 1 ea. Tighten Knob 1 ea. Screw, Hex Cap (M10 x 25) 1 ea. Nut (M10 x 1.25 x 17)	1	1
5		1072004	Pad, Non-Skid Adhesive Back	1	2
6	A	1086780-NLA	NLA - Package, Protective Cap	10	1
7	C	1091306-NLA	NLA - Oxygen Holder Assembly - Deluxe Seats	1	1
7	C	1091409	Oxygen Holder Assembly	1	1
	B	2000454	Bag, Poly (39" L x 33" W)	1	1
	B	1091305-NLA	NLA - Instruction Sheet, Oxygen Holder	1	1
	B	1083052-NLA	NLA - Carton, Shipper, Oxygen Holder	1	1

NOTE: A - 4 Protective Caps are included with Oxygen Holder Assembly, replacements caps are sold in Packages of 10.
 B - Not Shown
 C - Item 4, Fastener Hardware, is NOT included with Oxygen Holder Assembly. Must be ordered separately.

Invacare Corporation

www.invacare.com



Yes, you can.

One Invacare Way
Elyria, Oh USA
44036-2125
800-333-6900

Technical Support
800-832-4707
Florida Technical Support
407-321-5630

Customer Service
800-333-6900

© 2020 Invacare Corporation. Elyria, Ohio.
All rights reserved. Trademarks are
identified by the symbols TM and ®. All
trademarks are owned by or licensed to
Invacare Corporation unless otherwise
noted. (Revision 01/20/20)

Form No. 99-142