

**Aquatec® Ocean Ergo/XL
Shower Commode
United States**



Yes, you can.

Parts Catalog Usage Guide

The information contained in this document is subject to change without notice. This catalog contains service parts for Form No. 19_127. If you have any questions regarding this catalog, please contact one of our Customer Service Representatives.

For Customer Service Support Call:

1-800-333-6900

For Faxed In Orders Call:

1-800-678-4682 or

1-440-366-0709

For Technical Service Call:

1-800-832-4707

Literature Can Be Found at:

www.invacare.com or

1-800-828-6272

SYMBOL DEFINITION

Throughout this catalog you will notice letters to draw your attention to specific footnotes which are located at the bottom of the page or below specified charts.

Examples:

A,B,C etc. = Special Comments

NOTE: = General information pertaining to that specific page

NLA = No Longer Available

HARDWARE MEASUREMENTS

The measurements for the hardware will be listed as follows:

Screws, Bolts Diameter X Thread Count/Pitch X Length

Washers Inside Diameter X Outside Diameter X Thickness

Spacers Inside Diameter X Outside Diameter X Length

For your convenience, we have supplied an area for you to list your Invacare Representatives.

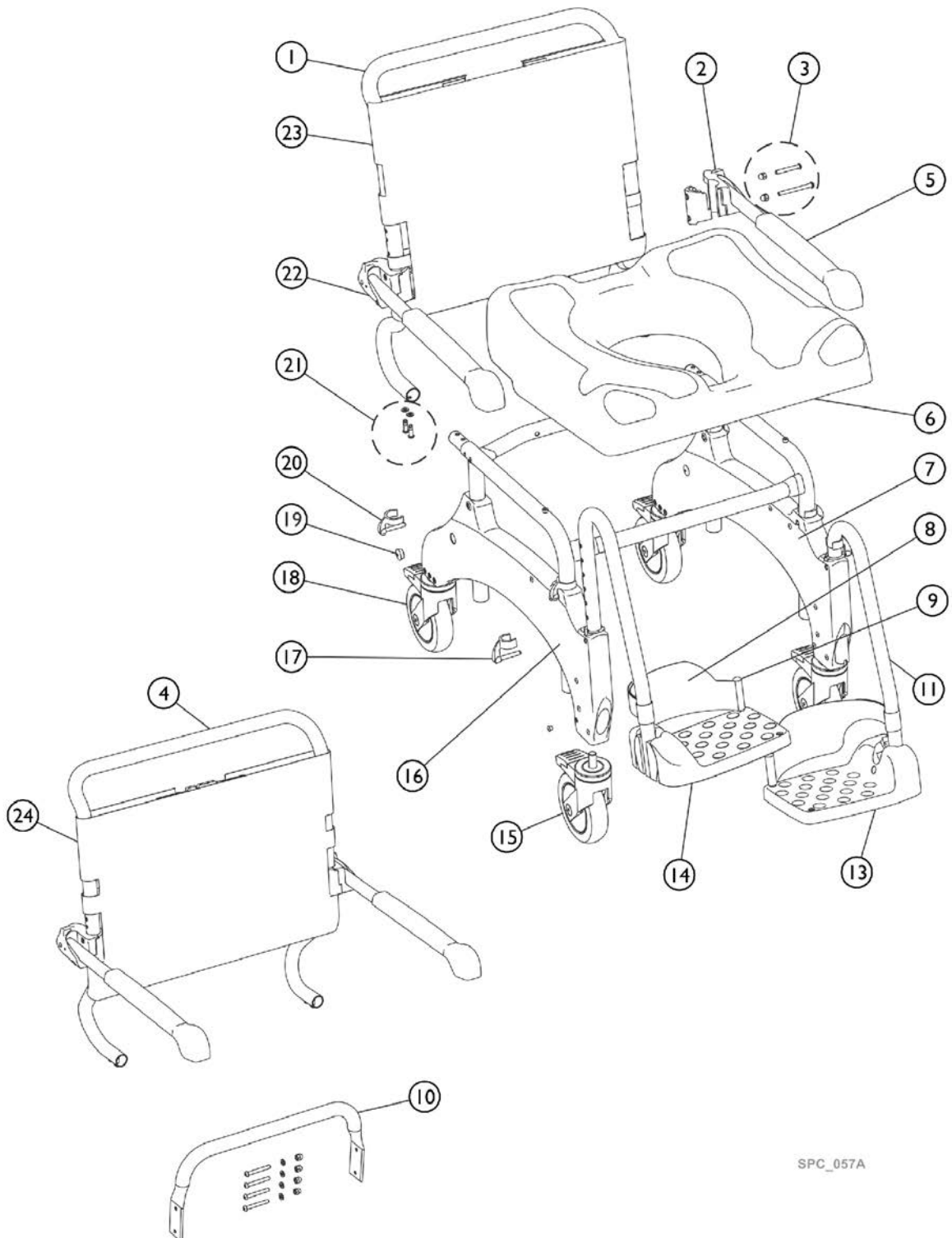
Name	Phone Numbers

© 2020 Invacare Corporation, Elyria, Ohio. Invacare, the Medallion Design and Yes, you can. are registered trademarks of the Invacare Corporation. Information is subject to change without notification.

TABLE of CONTENTS

Description	Page Number
Accessories Ocean (24") Ergo (XL)	5
Spare parts Ocean Ergo (XL)	3

Spare parts Ocean Ergo (XL)



Spare parts Ocean Ergo (XL)

Item Number	Note	Part Number	Description	Quantity Per	
				Package	Assembly
1		SP1607166	Backrest w/o arm. / Hdwr. - Ocean (24") Ergo	1	1
2		1470694	Armrest Assembly Left	1	1
3		1471052	Ocean Armrest Kit Parts	1	2
4		SP1607167	Backrest XL w/o arm. / Hdwr. - Ocean (24") Ergo XL Armrest	1	1
5		16472	Armrest Pads Incl. Screws Kit	1	2
6		SP1607743	Seat plate - Ocean Ergo Series	1	1
7		SP1607371	Side Frame w / 5" Casters - Ocean (24") Ergo (XL)	1	1
8		16334	Heel Loop (Pair)	2	1
9		SP1607170	Hdwr., heel strap - Ocean (24") Ergo (XL)	1	2
10		SP1607168	Base stabilizer bar w / Hdwr. - Ocean (24") Ergo XL Footrest cpl.,	1	1
11		SP1643541	Footrest cpl., Left - Ocean (XL) / (Dual-)VIP / Ocean Ergo Series	1	1
13		1470689	Footrest Plate	1	2
14		SP1643542	Footrest cpl., Right - Ocean (XL) / VIP / Ocean Ergo Series	1	1
15		SP1607628	Caster 5" - Ocean Ergo Series	1	4
16		SP1607546	Side Frame w / 5" Dir. Caster - Ocean (24") Ergo (XL)	1	1
17		SP1607742	Clip, footrest - Ocean Ergo Series	1	2
18		SP1607741	Caster 5", dir. lock - Ocean Ergo Series	1	1
19		SP1607169	Plugs, Side Frame - Ocean (24") Ergo (XL)	1	1
20		16256	Side Frame Adj. Clip	1	4
21		1542900	Bkrst Hdwr. - Ergo / Ocean (Dual-)VIP / XL After SN 14403200/14406200	1	1
22		1470693	Armrest assembly, Right	1	1
23		AP1603031	Backrest Cover - Ocean Ergo/ SP	1	1
24		AP1603577	Backrest Cover - Ocean Ergo XL/ SPXL	1	1

Accessories Ocean (24") Ergo (XL)



Accessories Ocean (24") Ergo (XL)

Item Number	Note	Part Number	Description	Quantity Per	
				Package	Assembly
1		AP1603155	Splash guard - Ocean Ergo Series	1	1
2	A	AP1603142	Standard soft seat - Ocean Ergo Series	1	1
3		AP1603143	Soft seat insert - Ocean Ergo Series	1	1
4	B	AP1603145	Small soft seat - Ocean Ergo Series	1	1
5		AP1603152	Small soft seat insert - Ocean Ergo Series	1	1
6		1470081	Chest Belt Padded w/ Stainless Hardware	1	1
6		1470082	Pelvis Belt Padded w/Stainless Hardware	1	1
7		1470077	Armrest lock (pair)	1	1
8		1535077	Back Lateral (EA)	1	1
9		AP1643543	Legrest Cpl., right - Ocean / Ocean Ergo Series	1	1
9		AP1643572	Legrest Cpl., left - Ocean / Ocean Ergo Series	1	1
10		AP1643573	Thigh support, right - Ocean / Ocean Ergo Series	1	1
10		AP1643574	Thigh support, left - Ocean / Ocean Ergo Series	1	1
11		AP1604136	Comfort soft backrest - Ocean (24") Ergo	1	1
11		AP1604016	Comfort soft backrest - Ocean (24") Ergo XL	1	1
12		1558769	Soft cushion w/cover blue - Ocean / Ocean Ergo Series	1	1
13		AP1602078	Collection Pan holder - Ocean Ergo Series	1	1
14		10230	Collection Pan with Lid	1	1
15		AP1601986	Front anti-tipper - Ocean (24") Ergo (XL)	1	1
16		16379	Self Propelling Wheels Kit complete including brakes	1	1
17		AP1604015	XL backrest kit - Ocean (24") Ergo	1	1
18		AP1606985	Backrest tube only -Ocean VIP Ergo (separate order needed for armrest, backrest cover, headrest)	1	1

NOTE: A - Center key shaped oval cut out is used for standard adult size individual. 11-13/16" is the approximate widest width of the oval cut out.
 B - Center key shaped oval cut out is used for smaller and young adults. 9-13/16" is the approximate widest width of the oval cut out.

Invacare Corporation

www.invacare.com



Yes, you can.

One Invacare Way
Elyria, Oh USA
44036-2125
800-333-6900

Technical Support
800-832-4707
Customer Service
800-333-6900

Literature Orders
800-333-6900

© 2020 Invacare Corporation. All rights reserved. Republication, duplication or modification in whole or in part is prohibited without prior written permission from Invacare. Trademarks are identified by TM and ©. All trademarks are owned by or licensed to Invacare Corporation or its subsidiaries unless otherwise noted. (Revised 11/30/20)

Form No. 19_127