

**Invacare® Platinum™
Mobile Oxygen Concentrator
POC1-100B**



Yes, you can.

Parts Catalog Usage Guide

The information contained in this document is subject to change without notice. This catalog contains service parts for Form No. 16-201. If you have any questions regarding this catalog, please contact one of our Customer Service Representatives.

For Customer Service Support Call:

1-800-333-6900

For Faxed In Orders Call:

1-800-678-4682 or

1-440-366-0709

For Technical Service Call:

1-800-832-4707

Literature Can Be Found at:

www.invacare.com or

1-800-828-6272

SYMBOL DEFINITION

Throughout this catalog you will notice letters to draw your attention to specific footnotes which are located at the bottom of the page or below specified charts.

Examples:

A,B,C etc. = Special Comments

NOTE: = General information pertaining to that specific page

NLA = No Longer Available

HARDWARE MEASUREMENTS

The measurements for the hardware will be listed as follows:

Screws, Bolts Diameter X Thread Count/Pitch X Length

Washers Inside Diameter X Outside Diameter X Thickness

Spacers Inside Diameter X Outside Diameter X Length

For your convenience, we have supplied an area for you to list your Invacare Representatives.

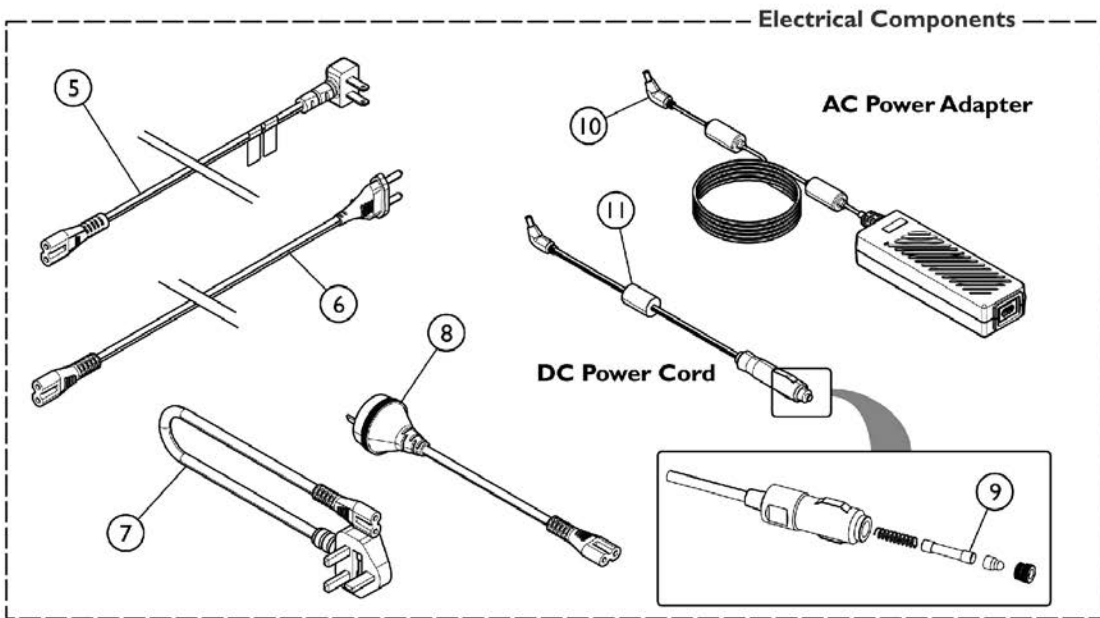
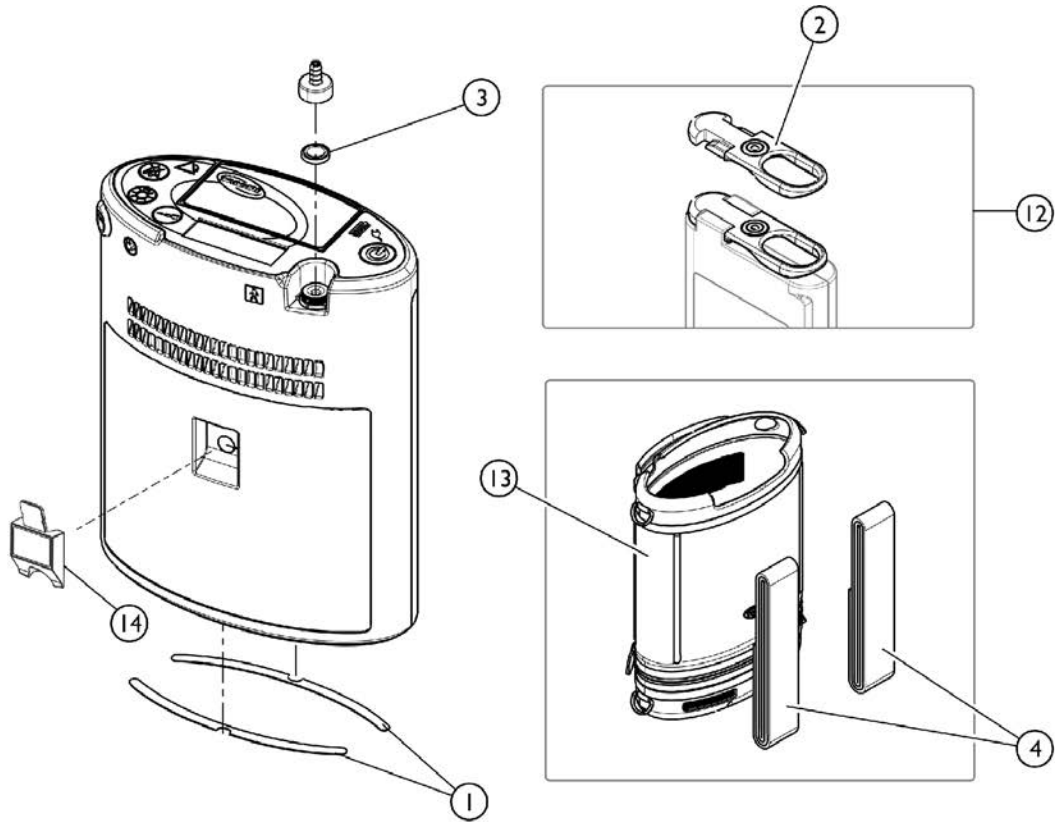
Name	Phone Numbers

© 2018 Invacare Corporation. All rights reserved. Republication, duplication or modification in whole or in part is prohibited without prior written permission from Invacare. Trademarks are identified by ™ and ®. All trademarks are owned by or licensed to Invacare Corporation or its subsidiaries unless otherwise noted.

TABLE of CONTENTS

Description	Page Number
POC1-100B Concentrator	3

POC1-100B Concentrator



SRE_018D

POC1-100B Concentrator

Item Number	Note	Part Number	Description	Quantity Per	
				Package	Assembly
1		1195090	Kit, Pad, Non-Skid	10	2
2		1195092	Kit, Battery Ring Pull	2	1
3		1195095	Kit, Filter, Patient Outlet	5	1
4	A	1195091	Kit, Shoulder Strap	2	2
5		1187454	Power Cord, Line, 2P, North America	1	1
6		1152805	Power Cord, Line, 2P, Europe	1	1
7		1160791	Power Cord, Line, 2P, United Kingdom	1	1
8		1160792	Power Cord, Line, 2P, Australia	1	1
9		1195098	Fuse (12 Amp)	1	1
10	B	POC1-130	Adapter, AC w/ Power Cord (North America)	1	1
10	C	POC1-130-EU	Adapter, AC w/ Power Cord (Europe)	1	1
10	D	POC1-130-AZ	Adapter, AC w/ Power Cord (Australia/New Zealand)	1	1
11		POC1-140	DC Power Cord	1	1
12	E	POC1-110	Battery Pack	1	1
13	F	POC1-150	Carry Bag Assembly	1	1
14	G	60104617	Kit, USB Dongle, POC1-CONNECT	1	1
		See Chart	Literature, Labels, and Packaging	1	1

NOTE: A - Two straps are used when you carry the Concentrator in Backpack Mode.
 B - Kit includes the Adapter and USA Power Cord.
 C - Kit includes the Adapter, EU, and UK Power Cords.
 D - Kit includes the Adapter and AZ Power Cord.
 E - Kit includes Battery Pull Ring and Battery.
 F - Kit includes two Straps for Messenger or Backpack Modes.
 G - USB Dongle Kit is only available for Platinum Mobile Oxygen Concentrators beginning with Serial #17JF029716.

Literature, Labels, and Packaging

Region	User Manual Concentrator	Warning Label	User Manual Battery Charger	Carton w/ Inserts	Over Laminate Label
English (North American)	1194969	1187525	1187396	1195096	1168369
English (European)	1187374	1193808	1187396	1195096	1168369
French Canadian	1187376	1187564	1193862	1195096	1168369
German	1193791	1193809	1193845	1195096	1168369
French	1193792	1193810	1193846	1195096	1168369
Italian	1193793	1193811	1193847	1195096	1168369
Spanish	1193794	1193812	1193848	1195096	1168369
Dutch	1193795	1193813	1193849	1195096	1168369
Norwegian	1193796	1193814	1193850	1195096	1168369
Swedish	1193797	1193815	1193851	1195096	1168369
Danish	1193798	1193816	1193852	1195096	1168369
Portuguese	1193799	1193817	1193853	1195096	1168369
Finnish	1193801	1193819	1193855	1195096	1168369

POC1-100B Concentrator

Literature, Labels, and Packaging

Region	User Manual Concentrator	Warning Label	User Manual Battery Charger	Carton w/ Inserts	Over Laminate Label
Croatian	1193803	1193821	1193857	1195096	1168369
Latvian	1193804	1193822	1193858	1195096	1168369
Hungarian	1193805	1193823	1193859	1195096	1168369
Polish	1193806	1193824	1193860	1195096	1168369

Invacare Corporation

www.invacare.com



Yes, you can.

One Invacare Way
Elyria, Oh USA
44035
800-333-6900

Technical Support
800-832-4707
Customer Service
800-333-6900

Literature Orders
800-333-6900

© 2018 Invacare Corporation. All rights reserved. Republication, duplication or modification in whole or in part is prohibited without prior written permission from Invacare. Trademarks are identified by ™ and ®. All trademarks are owned by or licensed to Invacare Corporation or its subsidiaries unless otherwise noted. (Revised 04/23/18)

Form No. 16-201