

SAVE THESE INSTRUCTIONS

Yes, you can.

NOTE: Check ALL parts for shipping damage. If shipping damage is noted, DO NOT use. Contact carrier/dealer for further instruction.

WARNING

- Do not use this product or any available optional equipment without first completely reading and understanding these instructions and any additional instructional material such as owner's manuals, service manuals or instruction sheets supplied with this product or optional equipment. If you are unable to understand the warnings, cautions or instructions, contact a healthcare professional, dealer or technical personnel before attempting to use this equipment - otherwise, injury or damage may occur.
- If so equipped, use the arm supports ONLY for assistance. DO NOT attempt to use the arms to support full body weight.
- ALWAYS check to make sure that the Raised Toilet Seat is securely in place and stable before each use.
- Make sure that the knob that secures the Raised Toilet Seat to the toilet is tight at all times.
- Be sure to center your weight on the Raised Toilet Seat as the seat may tip if you lean too far forward or to either side.
- Invacare recommends using a toilet safety frame or grab bars in addition to the Raised Toilet Seat.
- Users with limited physical capabilities should be supervised or assisted when using the Raised Toilet Seat.
- DO NOT use tools. Hand tighten only. DO NOT overtighten the knob. The threads of the adjustment bracket may strip.
- ALWAYS observe the weight limit on the labeling of your product. Check that all labels are present and legible. Replace labels as necessary.
- Although this Raised Toilet Seat is designed for use on most popular toilets, it may not work on certain unusual or artistic bowls. Inspect for fit and stability prior to use. DO NOT use if unstable.

ACCESSORIES WARNING

- Invacare products are specifically designed and manufactured for use in conjunction with Invacare accessories. Accessories designed by other manufacturers have not been tested by Invacare and are not recommended for use with Invacare products.

CAUTION

- DO NOT use an abrasive detergent, cleaner or cloth to clean/dry the Raised Toilet Seat.

Installing/Removing Raised Toilet Seat

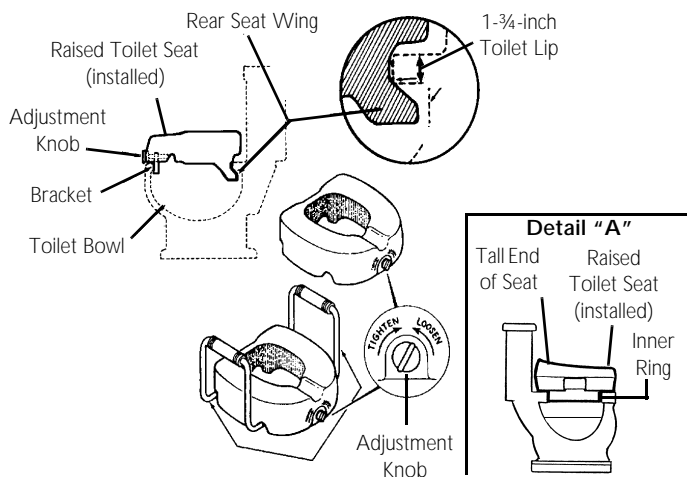
NOTE: To remove the Raised Toilet Seat, reverse this procedure.
NOTE: The existing toilet seat and lid can be flipped up or removed depending upon the amount of usage of the Raised Toilet Seat.

Perform one of the following depending on Raised Toilet Seat type:
Model 685 4:

1. Put the Raised Toilet Seat in place on the toilet bowl with the tall end of the Raised Toilet Seat towards the back of the toilet bowl (DETAIL A).
2. Properly seat the inner ring inside of the toilet bowl.
3. Check the stability of the Raised Toilet Seat. Realign and/or adjust as necessary.

Models 1391P and 1391AP:

1. Put the rear wings of the Raised Toilet Seat in place underneath the 1 3/4 inch toilet lip at the back of the toilet bowl.
2. Rotate the Raised Toilet Seat down until the front of it rests on the toilet bowl. If necessary, rotate the adjustment knob counterclockwise until the bracket fits inside the toilet bowl.
3. Turn the adjustment knob clockwise to tighten the bracket against the inner surface of the toilet bowl.
4. Check the stability of the Raised Toilet Seat. Realign and/or adjust as necessary.



Limited Warranty

PLEASE NOTE: THE WARRANTY BELOW HAS BEEN DRAFTED TO COMPLY WITH FEDERAL LAW APPLICABLE TO PRODUCTS MANUFACTURED AFTER JULY 4, 1975.

This warranty is extended only to the original purchaser/user of our products.

This warranty gives you specific legal rights and you may also have other legal rights which vary from state to state.

Invacare warrants all this product to be free from defects in materials and workmanship for three years for the original purchaser. If within such warranty period any such product shall be proven to be defective, such product shall be repaired or replaced, at Invacare's option. This warranty does not include any labor or shipping charges incurred in replacement part installation or repair of any such product. Invacare's sole obligation and your exclusive remedy under this warranty shall be limited to such repair and/or replacement.

For warranty service, please contact the dealer from whom you purchased your Invacare product. In the event you do not receive satisfactory warranty service, please write directly to Invacare at the address on the back cover. Provide dealer's name, address, model number, the date of purchase, indicate nature of the defect and, if the product is serialized, indicate the serial number.

Invacare Corporation will issue a return authorization. The defective unit or parts must be returned for warranty inspection using the serial number, when applicable, as identification within thirty (30) days of return authorization date. DO NOT return products to our factory without our prior consent. C.O.D. shipments will be refused; please prepay shipping charges.

LIMITATIONS AND EXCLUSIONS: THE WARRANTY SHALL NOT APPLY TO PROBLEMS ARISING FROM NORMAL WEAR OR FAILURE TO ADHERE TO THE ENCLOSED INSTRUCTIONS. IN ADDITION, THE FOREGOING WARRANTY SHALL NOT APPLY TO SERIAL NUMBERED PRODUCTS IF THE SERIAL NUMBER HAS BEEN REMOVED OR DEFACED; PRODUCTS SUBJECTED TO NEGLIGENCE, ACCIDENT, IMPROPER OPERATION, MAINTENANCE OR STORAGE; OR PRODUCTS MODIFIED WITHOUT INVACARE'S EXPRESS WRITTEN CONSENT INCLUDING, BUT NOT LIMITED TO: MODIFICATION THROUGH THE USE OF UNAUTHORIZED PARTS OR ATTACHMENTS; PRODUCTS DAMAGED BY REASON OF REPAIRS MADE TO ANY COMPONENT WITHOUT THE SPECIFIC CONSENT OF INVACARE; PRODUCTS DAMAGED BY CIRCUMSTANCES BEYOND INVACARE'S CONTROL; PRODUCTS REPAIRED BY ANYONE OTHER THAN AN INVACARE DEALER, SUCH EVALUATION SHALL BE SOLELY DETERMINED BY INVACARE. THE FOREGOING WARRANTY IS EXCLUSIVE AND IN LIEU OF ALL OTHER EXPRESS WARRANTIES, IF ANY, INCLUDING THE IMPLIED WARRANTIES OF MERCHANTABILITY AND FITNESS FOR A PARTICULAR PURPOSE.

IT SHALL NOT EXTEND BEYOND THE DURATION OF THE EXPRESSED WARRANTY PROVIDED HEREIN AND THE REMEDY FOR VIOLATIONS OF ANY IMPLIED WARRANTY SHALL BE LIMITED TO REPAIR OR REPLACEMENT OF THE DEFECTIVE PRODUCT PURSUANT TO THE TERMS CONTAINED HEREIN. INVACARE SHALL NOT BE LIABLE FOR ANY CONSEQUENTIAL OR INCIDENTAL DAMAGES WHATSOEVER.

THIS WARRANTY SHALL BE EXTENDED TO COMPLY WITH STATE/PROVINCIAL LAWS AND REQUIREMENTS.

For more information regarding Invacare products, parts, and services, please visit www.invacare.com

