

Anti-Theft Device



Assembly, Installation and Operating Instructions

Model Nos. 1614 and 1714

Yes, you can.™

SAVE THESE INSTRUCTIONS

NOTE: Check all parts for shipping damage before using. In case of damage, do NOT use. Contact the Dealer/Carrier for further instructions.

SAFETY SUMMARY

The following recommendations are made for the installation of the anti-theft device:

GENERAL WARNING

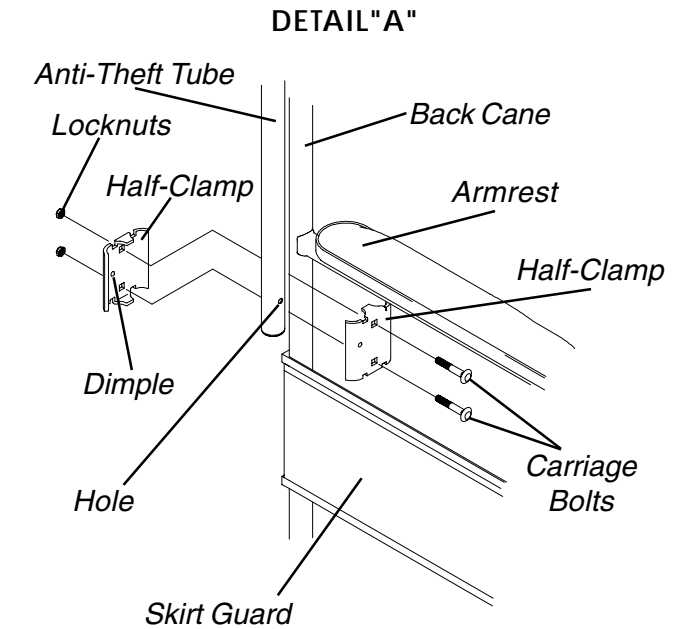
DO NOT install or use this equipment without first reading and understanding these instructions. If you are unable to understand the Warnings, Cautions or Instructions, contact a healthcare professional, dealer or technical personnel before attempting to install this equipment - otherwise, injury or damage may occur.

This kit contains the following:

DESCRIPTION	QTY
Anti-Theft Tube	1
Half-Clamps	2
Carriage Bolts	2
Locknuts	2
Instruction Sheet	1

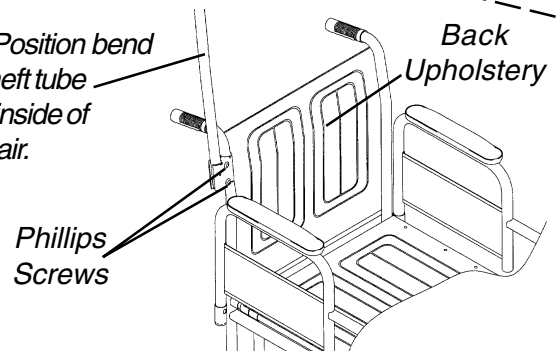
INSTALLING THE ANTI-THEFT DEVICE (FIGURE 1)

- Loosen, but DO NOT remove the two (2) lower (Tracer Fixed Front) or the two (2) upper (Tracer 4) phillips screws that secure the back upholstery to the back canes shown in FIGURE 1.
- Position the half-clamps on the back cane as shown in DETAIL "A".
- Make sure of the following:
 - The dimple in each of the half-clamps is towards the outside of the wheelchair.
 - The half-clamp positioned behind the back cane is between the back upholstery and the back cane.
 - The half-clamps are positioned between the top of the skirt guard and the bottom of the armrests for the TRACER FIXED FRONT.
 - The half-clamps are positioned above the armrest for the TRACER 4.

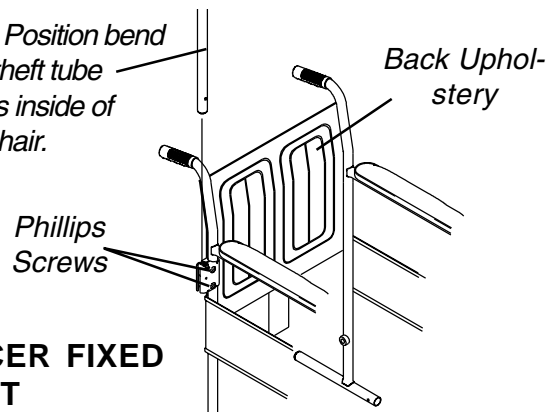


TRACER 4

NOTE: Position bend in anti-theft tube towards inside of wheelchair.



NOTE: Position bend in anti-theft tube towards inside of wheelchair.



TRACER FIXED FRONT

FIGURE 1 - INSTALLING THE ANTI-THEFT DEVICE

4. Install the carriage bolts that secure the half-clamps together and loosely secure with the locknuts provided.
5. Position the anti-theft tube between the half-clamps as shown in DETAIL "A" in FIGURE 1.

WARNING

Make sure the holes in the anti-theft tube line up with the dimples in the half-clamps. If the holes and dimples DO NOT line up, injury or damage can occur.

6. Line up the holes in the anti-theft tube and the dimples in the half-clamps.

CAUTION

DO NOT overtighten attaching hardware. Damage to anti-theft tube can occur.

7. Tighten the carriage bolts and locknuts. DO NOT overtighten.

USING THE ANTI-THEFT DEVICE (FIGURE 2)

WARNING

NEVER maneuver an occupied wheelchair by using ANY part of the anti-theft device. Serious injury or damage can occur. ALWAYS use the handles of the wheelchair when maneuvering an occupied wheelchair.

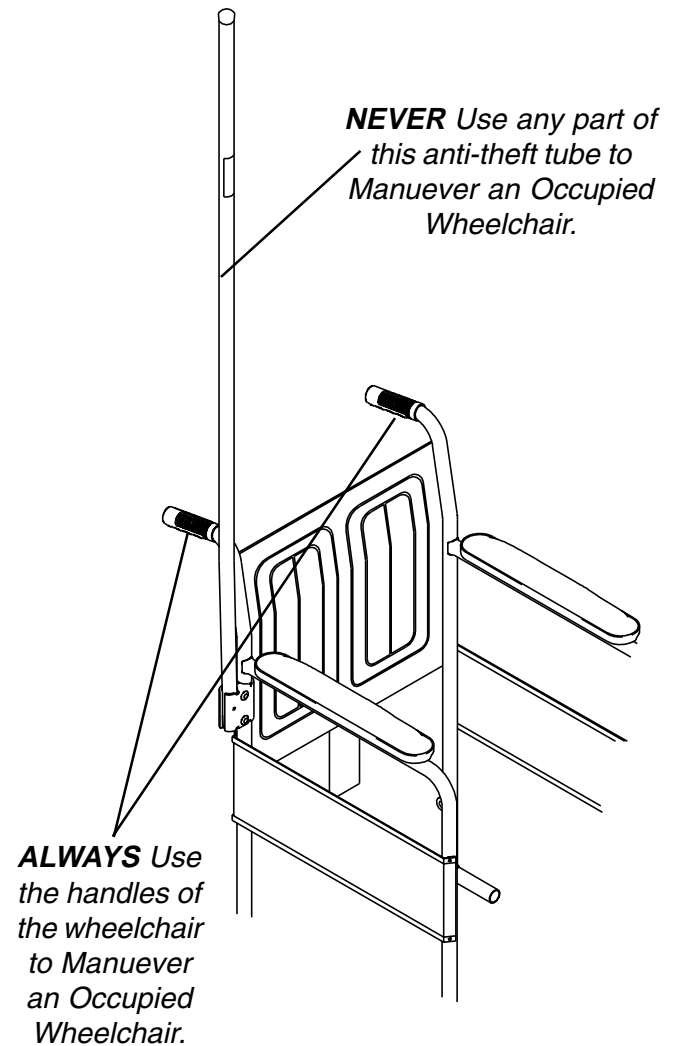


FIGURE 2 - USING THE ANTI-THEFT DEVICE



Yes, you can.™

Invacare Corporation www.invacare.com

USA
One Invacare Way
Elyria, Ohio USA
44036-2125
800-333-6900

Canada
5970 Chedworth Way
Mississauga, Ontario
L5R 3T9, Canada
905-890-8838

Invacare and "Yes, you can" are trademarks of Invacare Corporation.
© 2000 Invacare Corporation
Form No. 97-147 Part No. 1075583 Rev B (1) 7/00