

# **Lynx L-3X Scooter Series**



*Yes, you can.*

# Parts Catalog Usage Guide

The information contained in this document is subject to change without notice. This catalog contains service parts for Form No. 07-080. If you have any questions regarding this catalog, please contact one of our Customer Service Representatives.

**For Customer Service Support Call:**

**1-800-333-6900**

**For Faxed In Orders Call:**

**1-800-678-4682 or**

**1-440-366-0709**

**For Technical Service Call:**

**1-800-832-4707**

**Literature Can Be Found at:**

**www.invacare.com or**

**1-800-828-6272**

## SYMBOL DEFINITION

Throughout this catalog you will notice letters to draw your attention to specific footnotes which are located at the bottom of the page or below specified charts.

Examples:

A,B,C etc. = Special Comments

NOTE: = General information pertaining to that specific page

NLA = No Longer Available

## HARDWARE MEASUREMENTS

The measurements for the hardware will be listed as follows:

Screws, Bolts Diameter X Thread Count/Pitch X Length

Washers Inside Diameter X Outside Diameter X Thickness

Spacers Inside Diameter X Outside Diameter X Length

For your convenience, we have supplied an area for you to list your Invacare Representatives.

Name	Phone Numbers

© 2022 Invacare Corporation. Elyria, Ohio. Invacare, the Medallion Design and Yes, you can. are registered trademarks and Lynx is a trademark of Invacare Corporation.

# TABLE of CONTENTS

<b>Description</b>	<b>Page Number</b>
Chargers, Controller & Cable Cover .....	14
Floor Mats - Main & Rear Shrouds .....	6
Frame Finishes and Touch-Up Paint .....	3
Lower Tiller Assembly w/ Caster .....	18
Motor - Transaxle & Rear Wheel .....	16
Seat & Arms - L-3X .....	4
Tiller Maintenance .....	9
Wire Harnesses & Battery Straps .....	12

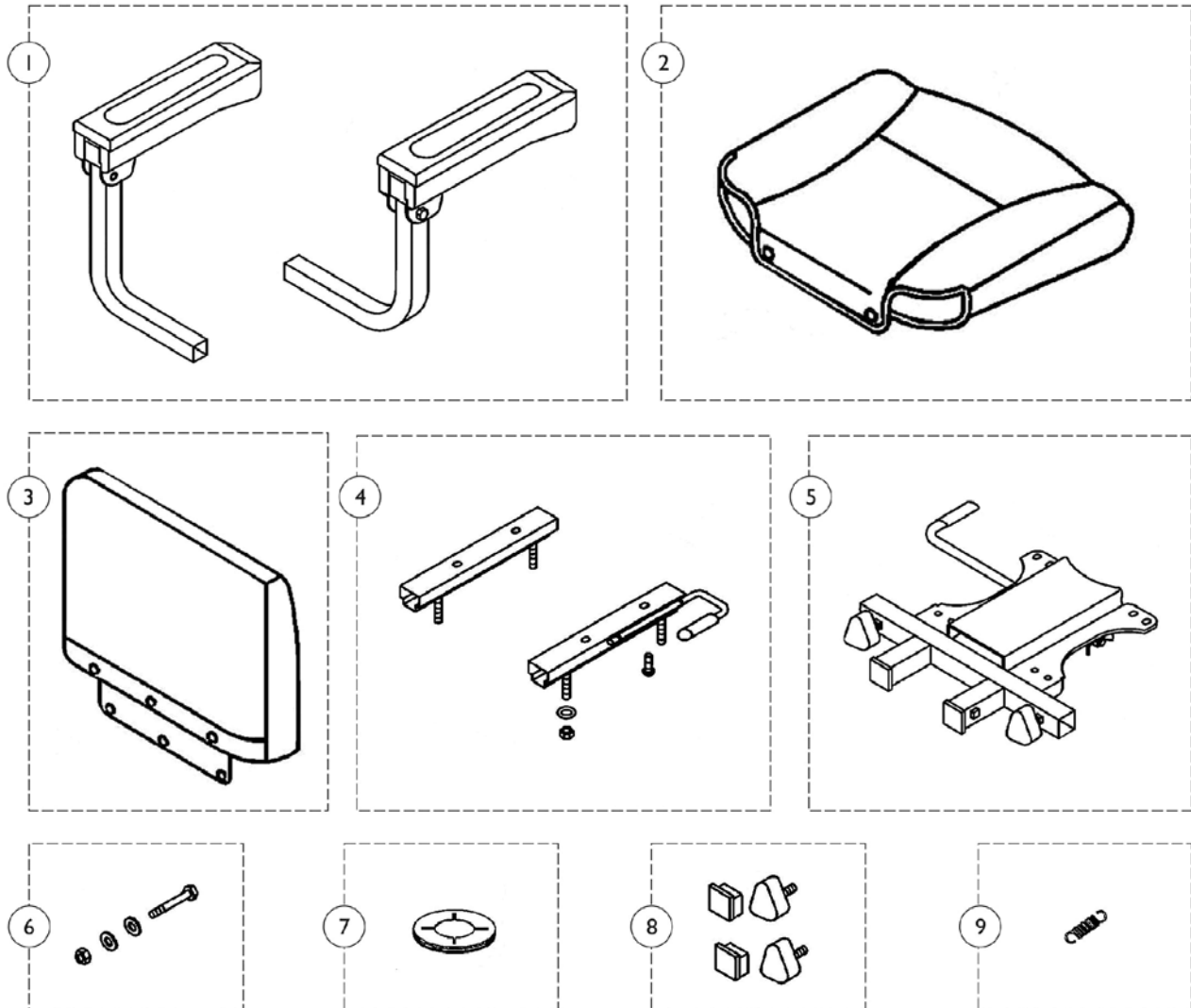
# Frame Finishes and Touch-Up Paint

Touch-Up Paint (.6 oz.)	Color
1149226-NLA See Note(s) A	Paint, Touch-Up, Blue
1169179-NLA See Note(s) B	Paint, Touch-Up, Onyx Blue
1101318-NLA	Paint, Touch-Up, Silver

NOTE: A - To be used on scooters built before serial number 10BCT600382.  
B - To be used on scooter built after serial number 10BCT600381.

# Seat and Arms - L-3X

NOTE: A full seat assembly is not available at this time, please order seat components separately.



## Seat and Arms - L-3X

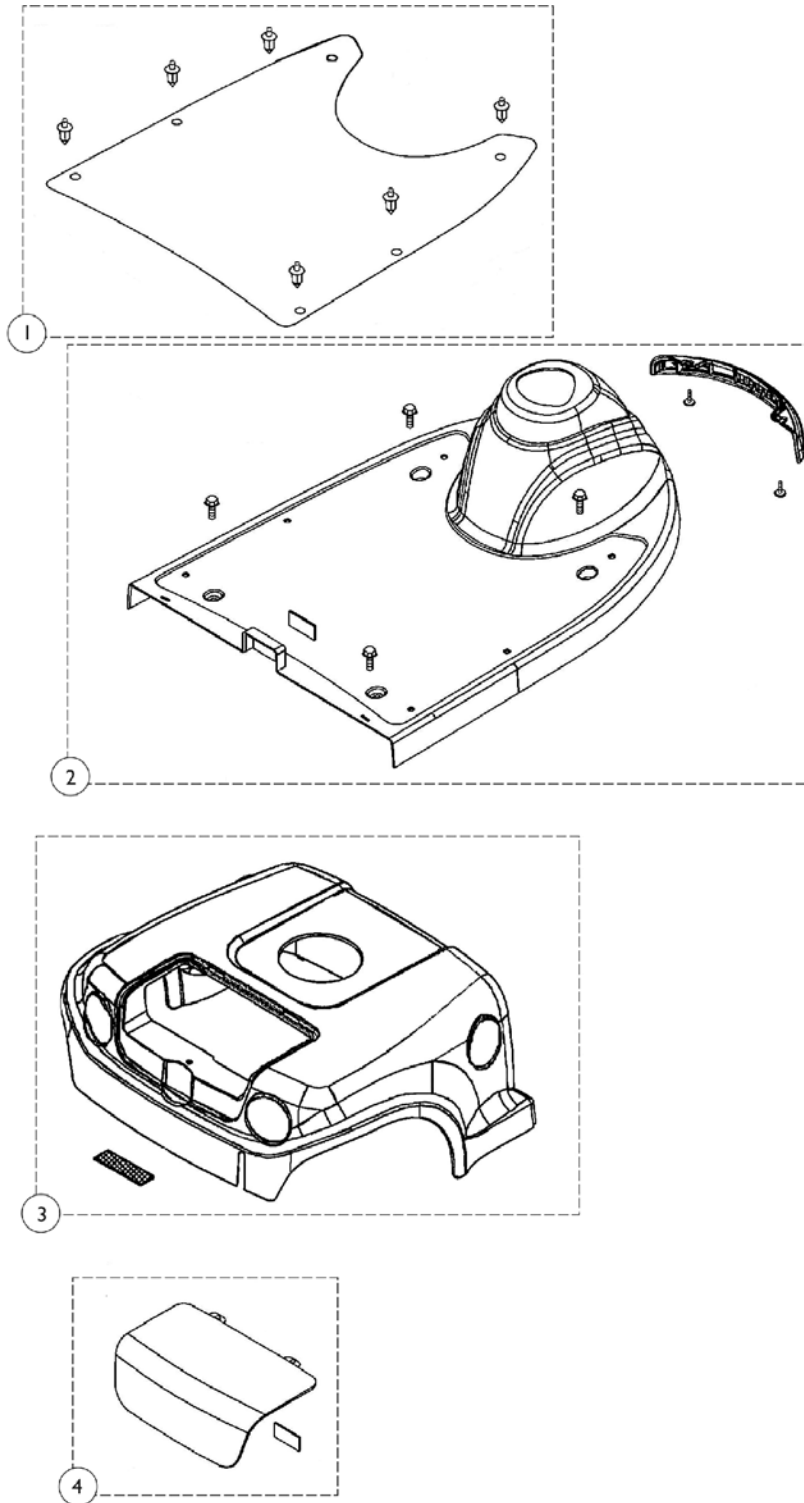
**NOTE: A full seat assembly is not available at this time, please order seat components separately.**

Item Number	Note	Part Number	Description	Quantity Per	
				Package	Assembly
1		1168468	Arm Assembly (Pair)	2	1
			Arm Assembly - Right	1	1
			Arm Assembly - Left	1	1
2	C	1148847-NLA	NLA - Cover, Seat	1	1
2	D	1168466	Cover, Seat	1	1
3	C	1148848-NLA	NLA - Cover, Backrest	1	1
3	D	1168465	Cover, Backrest	1	1
4		1148845	Kit, Seat Slide	1	1
5		1148846-NLA	NLA - Seat Bracket Assembly	1	1
5	D	1169832	Seat Bracket Assembly	1	1
6		1148850-NLA	NLA - Hardware, Seat Post Includes: (1) ea. Nylon Nut, (1) ea. Bolt, & (2) ea. Washers.	1	1
7		1148852	Liner, Shroud/Guide Seat	1	1
8		1148849-NLA	NLA - Kit, Plugs and Knobs Includes: (2) ea. Screws & (2) ea. Plugs.	1	1
9		1144812	Spring, Seat Lever	1	1

NOTE: C - Before 9/7/10  
D - After 9/6/10

# Floor Mats, Main and Rear Shrouds

Due to design change, Invacare recommends replacing all blue shrouds on scooters manufactured after serial number 10BCT600381 in order to maintain a unified appearance.



## Floor Mats, Main and Rear Shrouds

Due to design change, Invacare recommends replacing all blue shrouds on scooters manufactured after serial number 10BCT600381 in order to maintain a unified appearance.

Item Number	Note	Part Number	Description	Quantity Per	
				Package	Assembly
1		1148851	Kit, Floor Mat w/ Hardware Includes: (1) ea. Rubber Pad and (6) ea. Push Rivets.	1	1
2	A	1144816	Package, Push Rivet	25	1
		1148855	Kit, Floor Shroud, Red Includes: (1) ea. 3-D Invacare Logo, (1) ea. Front Shroud - Red, (4) ea. Shield Bolts, (1) ea. Front Bumper Cover, (2) ea. Bolt, (1) ea. Hook & Loop, (1) ea. Weight Capacity Decal, and (1) ea. Warning Label.	1	1
2	B	1148856	Kit, Floor Shroud, Blue Includes: (1) ea. 3-D Invacare Logo, (1) ea. Front Shroud - Blue, (4) ea. Shield Bolts, (1) ea. Front Bumper Cover, (2) ea. Bolt, (1) ea. Hook & Loop, (1) ea. Weight Capacity Decal, and (1) ea. Warning Label.	1	1
2	C	1148171	Kit, Floor Shroud, Onyx Includes: (1) ea. 3-D Invacare Logo, (1) ea. Front Shroud - Onyx, (4) ea. Shield Bolts, (1) ea. Front Bumper Cover, (2) ea. Bolt, (1) ea. Hook & Loop, (1) ea. Weight Capacity Decal, and (1) ea. Warning Label.	1	1
3		1148857	Kit, Rear Shroud, Red Includes: (1) ea. Drive/Push Decal, (1) ea. Rear Shroud - Red, (1) ea. Hook & Loop, and (2) ea. Lynx Side Logo Decals.	1	1
3	B	1148858	Kit, Rear Shroud, Blue Includes: (1) ea. Drive/Push Decal, (1) ea. Rear Shroud - Blue, (1) ea. Hook & Loop, and (2) ea. Lynx Side Logo Decals.	1	1

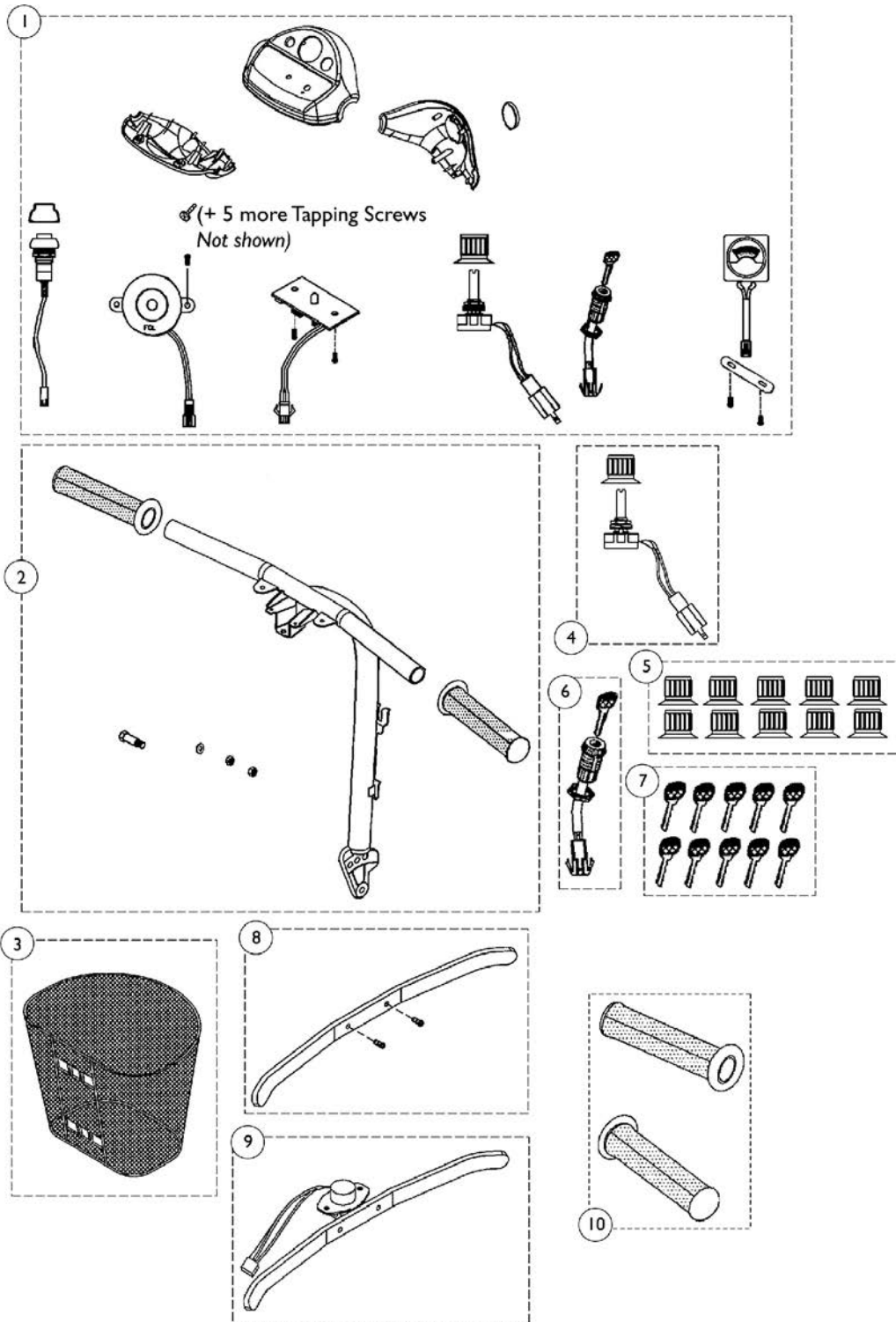


## Floor Mats, Main and Rear Shrouds

Due to design change, Invacare recommends replacing all blue shrouds on scooters manufactured after serial number 10BCT600381 in order to maintain a unified appearance.

Item Number	Note	Part Number	Description	Quantity Per	
				Package	Assembly
3	C	1148172	Kit, Rear Shroud, Onyx Includes: (1) ea. Drive/Push Decal, (1) ea. Rear Shroud - Onyx, (1) ea. Hook & Loop, and (2) ea. Lynx Side Logo Decals.	1	1
4		1148853	Cover, Shroud Tail w/ Decal, Red	1	1
4	B	1148854-NLA	NLA - Cover, Shroud Tail w/ Decal, Blue	1	1
4	C	1169667	Cover, Shroud Tail w/ Decal, Onyx	1	1
NOTE: A - Not Shown B - To be used on scooters built before serial number 10BCT600382. C - To be used on scooter built after serial number 10BCT600381.					

# Tiller Maintenance



## Tiller Maintenance

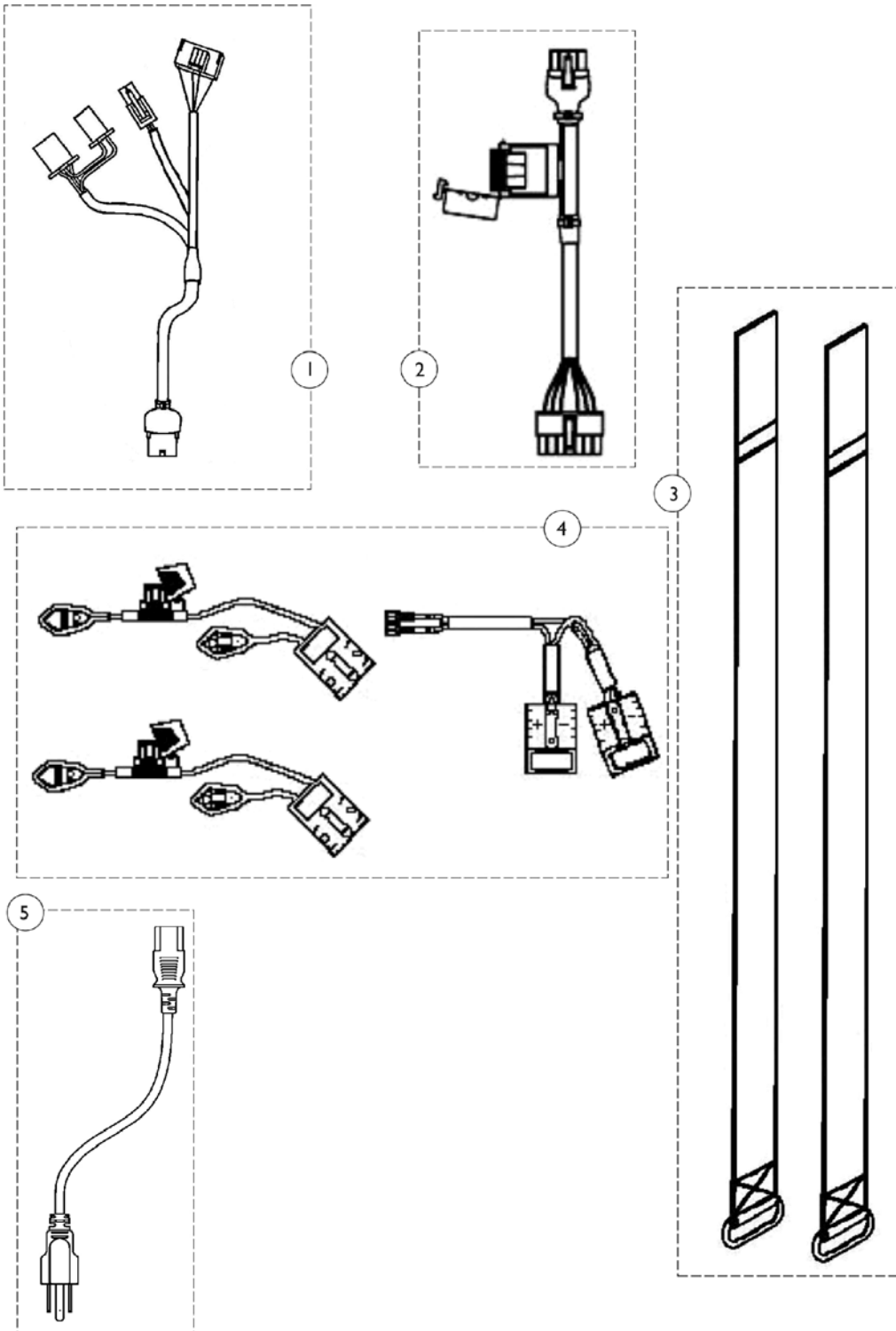
Item Number	Note	Part Number	Description	Quantity Per	
				Package	Assembly
1	A	1148838	Kit, Tiller Cover, Red Includes: (1) ea. Upper Steering Cover, (1) ea. Front Steering Cover - Red, (1) ea. Rear Steering Cover - Red, (1) ea. Faceplate Decal, (1) ea. Reflector, (6) ea. Tapping Screws, (1) ea. Volt Meter, (2) ea. Screw, (1) ea. Speed Pot, (1) ea. Speed Control Knob, (1) ea. Ignition Switch w/ Key, (1) ea. Horn speaker, (2) ea. Screw, (1) ea. 2-Pole Switch Complete, (1) ea. Splash Cap Complete, (1) ea. Meter PC Board, and (2) ea. Screws.	1	1
1	A,B	1148839	Kit, Tiller Cover, Blue Includes: (1) ea. Upper Steering Cover, (1) ea. Front Steering Cover - Blue, (1) ea. Rear Steering Cover - Blue, (1) ea. Faceplate Decal, (1) ea. Reflector, (6) ea. Tapping Screws, (1) ea. Volt Meter, (2) ea. Screw, (1) ea. Speed Pot, (1) ea. Speed Control Knob, (1) ea. Ignition Switch w/ Key, (1) ea. Horn speaker, (2) ea. Screw, (1) ea. 2-Pole Switch Complete, (1) ea. Splash Cap Complete, (1) ea. Meter PC Board, and (2) ea. Screws.	1	1

# Tiller Maintenance

Item Number	Note	Part Number	Description	Quantity Per	
				Package	Assembly
1	C	1169666	Kit, Tiller Cover, Onyx Includes: (1) ea. Upper Steering Cover, (1) ea. Front Steering Cover - Onyx, (1) ea. Rear Steering Cover - Onyx, (1) ea. Faceplate Decal, (1) ea. Reflector, (6) ea. Tapping Screws, (1) ea. Volt Meter, (2) ea. Screw, (1) ea. Speed Pot, (1) ea. Speed Control Knob, (1) ea. Ignition Switch w/ Key, (1) ea. Horn speaker, (2) ea. Screw, (1) ea. 2-Pole Switch Complete, (1) ea. Splash Cap Complete, (1) ea. Meter PC Board, and (2) ea. Screws.	1	1
2		1148841	Kit, Steering Bar Includes: (1) ea. Steering Bar, (2) ea. Hand Grips, (1) ea. Plain Washer, (2) ea. Nylon Washer, and (1) ea. Bolt.	1	1
3	D	1148861-NLA	NLA - Basket	1	1
3		1577430	Front Composite Basket	1	1
4	A	1144791	Kit, Speed Pot - Includes: Speed Control Knob (1) and Speed Pot - 30 K Ohms (1)	1	1
5	A	1144792	Package, Speed Control Knob	10	1
6		1144793	Ignition Switch with Key Assembly	1	1
7		1144794	Package, Ignition Key	10	1
8		1144796	Throttle Lever w/ Hardware	1	1
9		1144795	Throttle Pot and Lever Assembly	1	1
10		1144802	Hand Grip (Pair)	2	1

NOTE: A - Due to design change, the knob may be different in appearance but is functionally equivalent to the original knob.  
 B - To be used on scooters built before serial number 10BCT600382.  
 C - To be used on scooter built after serial number 10BCT600381.  
 D - Basket No Longer Available. Order part number 1577430 as a replacement.

# Wire Harnesses & Battery Straps

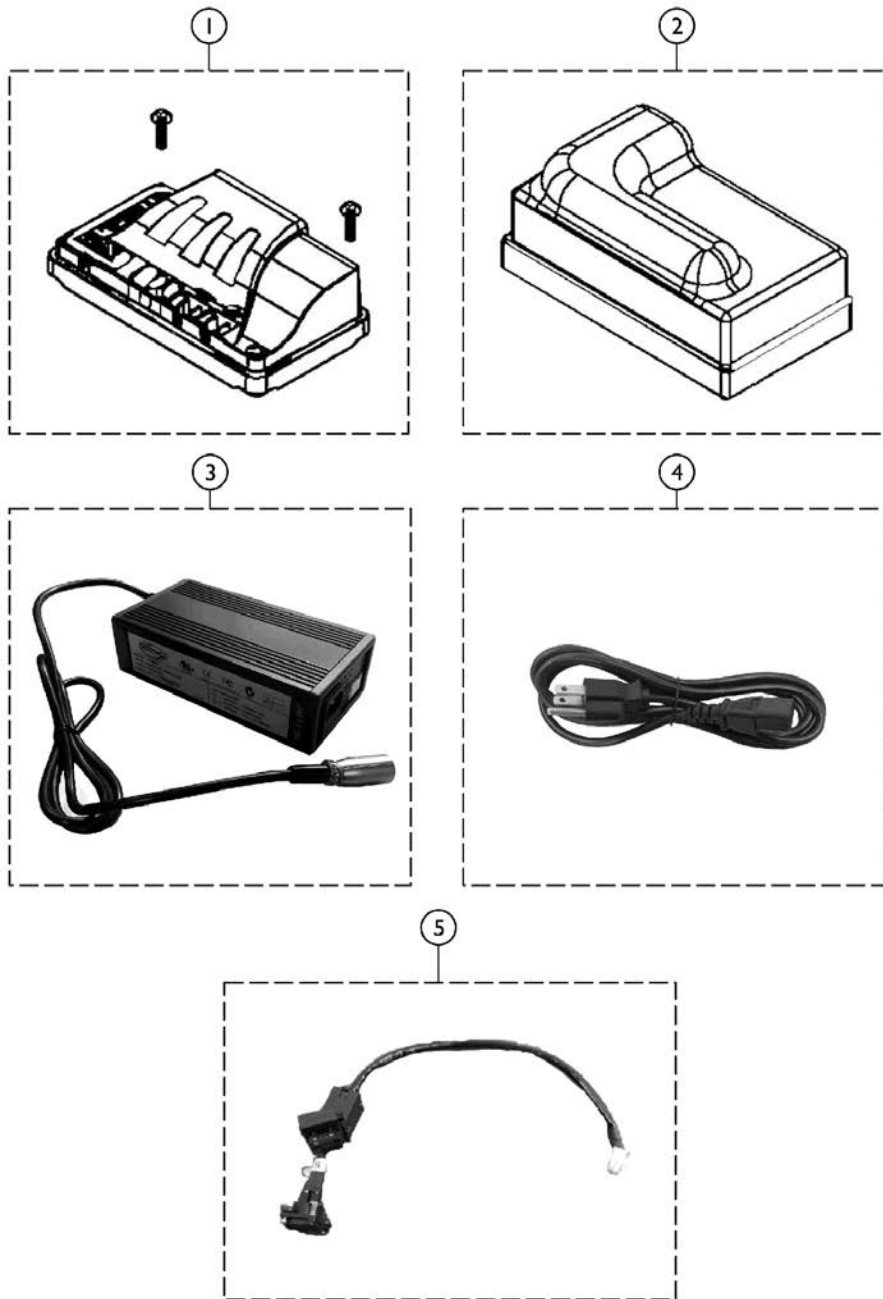


## Wire Harnesses & Battery Straps

Item Number	Note	Part Number	Description	Quantity Per	
				Package	Assembly
1		1148831	Harness, Front Wiring	1	1
2		1148832-NLA	NLA - Kit, Rear Wiring Harness	1	1
3		1148834	Strap, Battery	1	1
4		1148833	Kit, Battery Wiring	1	1
5		1144798	Cable, Charger	1	1
	A	1144835	Fuse (3 AMP)	1	1
	A	1144836	Fuse (5 AMP)	1	1

NOTE: A - Not shown

# Chargers - Controller & Cable Cover



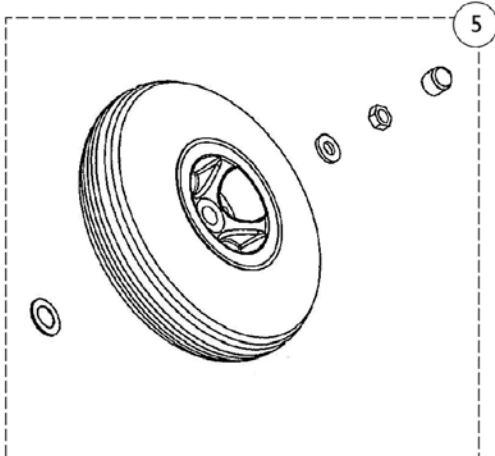
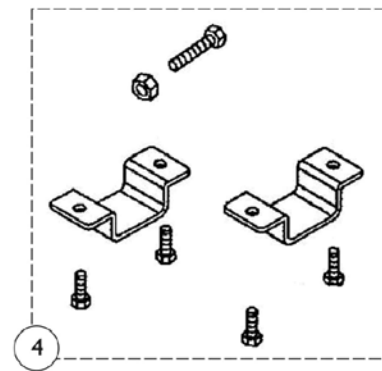
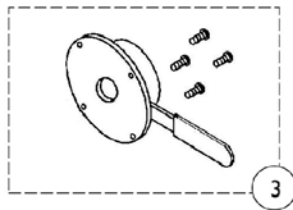
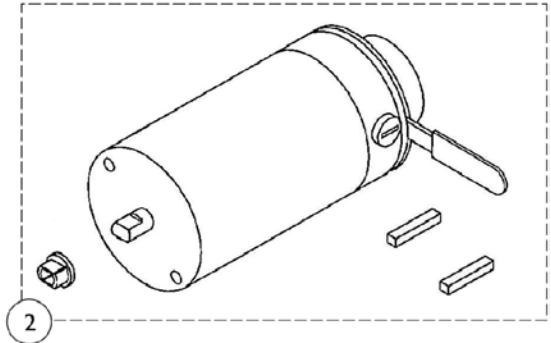
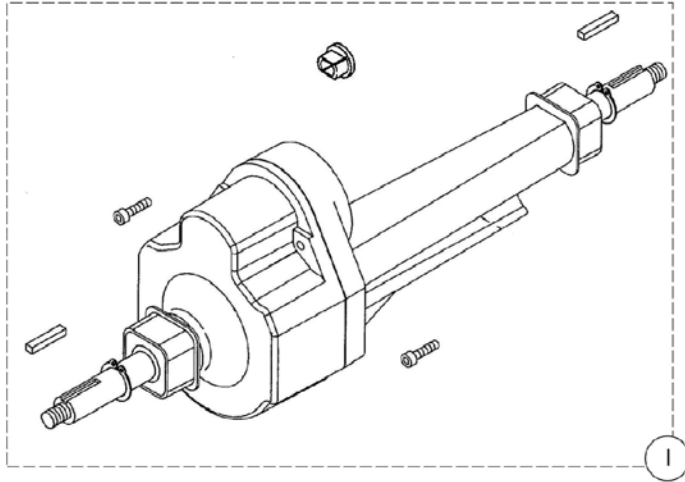
SCP\_029A

## Chargers - Controller & Cable Cover

Item Number	Note	Part Number	Description	Quantity Per	
				Package	Assembly
1	A,B	1148828	Controller R-Series (DR-90) w/ Hardware	1	1
2		1148829-NLA	NLA - Cover, Plastic Cable	1	1
3	A,C	1148830	Charger, Off-Board, 24 DC (5 AMP)	1	1
4		1144798	Cable, Charger	1	1
5		1165866	Cable, Charger w/ Fuse	1	1
NOTE: A - The Controller and Charger may or may not reflect the true look of the controller supplied. B - Includes controller and (2) attaching screws. C - The Charger does not come with the Power Cable, order 1144798 when ordering this item.					



# Motor, Transaxle & Rear Wheel



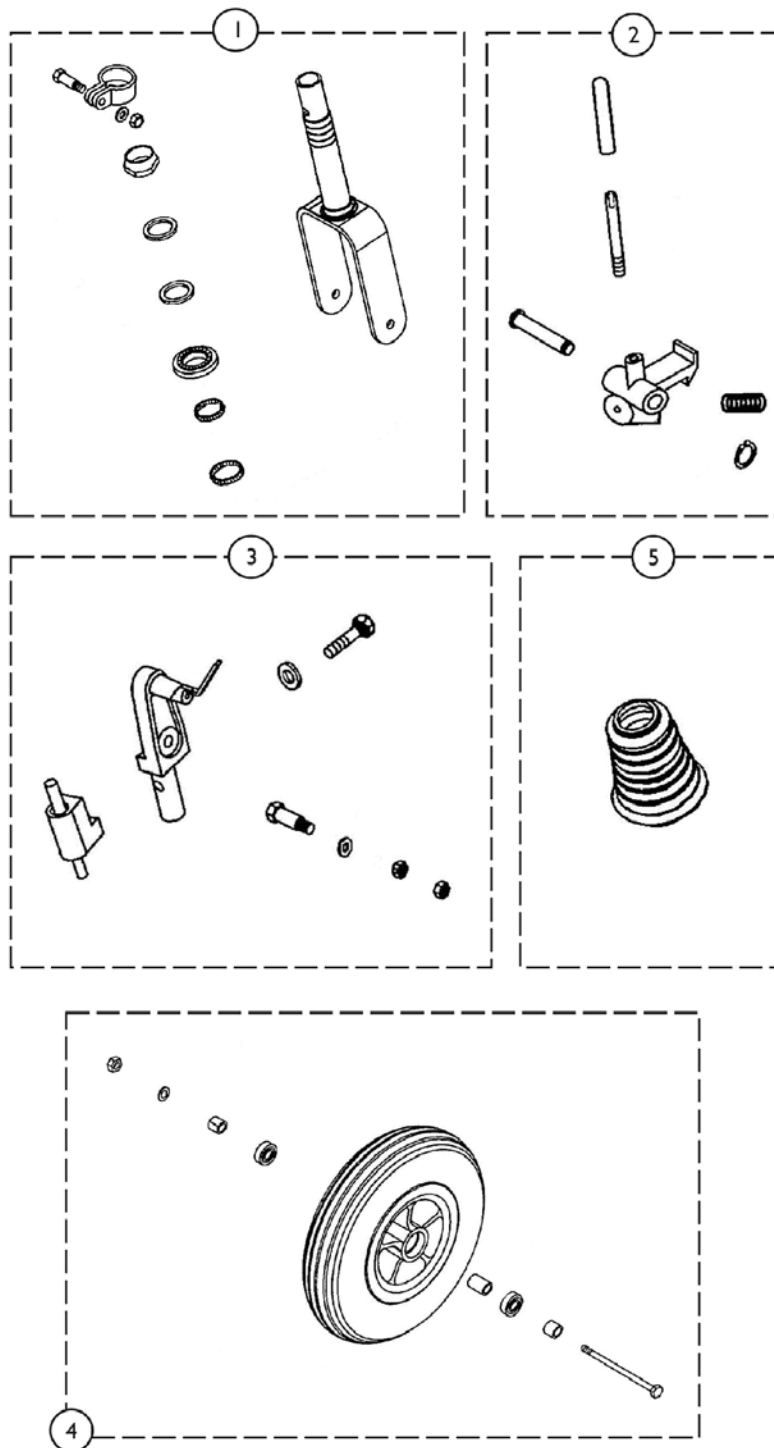
# Motor, Transaxle & Rear Wheel

## Motor, Transaxle & Rear Wheel

Item Number	Note	Part Number	Description	Quantity Per	
				Package	Assembly
1		1148824	Kit, Transaxle Includes: (1) ea. Differential, (2) ea. Keys, (2) ea. Bolts, (1) ea. Guide, and (1) ea. Decal, Inspection.	1	1
2		1148825	Kit, Motor with Brake Includes: (1) ea. Motor Assembly, (1) ea. Guide, and (2) ea. Keys.	1	1
3		1148827	Kit, Brake with Hardware Includes: (1) ea. Brake and (4) ea. Screw M4 x 8L.	1	1
4		1148835	Kit, Transaxle Hardware Includes (2) ea. Holder, Differential, (4) ea. Bolt M6 x 12L, (1) ea. Bolt M8 x 25L, and (1) ea. Nut.	1	1
5		1148860	Kit, Rear Wheel Includes: (2) ea. Spacers. (1) ea. Rear Wheel, (1) ea. Plain Washer, (1) ea. Nylon Nut, and (1) ea. Cap Washer.	1	1
6	A	1144824	Kit, Anti-Tip Wheels Includes: (2) ea. Nylon Nut, (4) ea. Bearings, (2) ea. Bolts, and (2) ea. Anti-Tip Wheels	1	1

NOTE: A - Not shown in illustration.

# Lower Tiller Assembly w/ Caster



## Lower Tiller Assembly w/ Caster

Item Number	Note	Part Number	Description	Quantity Per	
				Package	Assembly
1		1148840-NLA	NLA - Kit, Fork w/ Hardware Includes: (1) ea. Fork, (1) ea. Padlock, (1) ea. Steering Nut, (1) ea. Plain Washer, (1) ea. Tooth Washer, (1) ea. Steering Race, and (2) ea. Set Bearing.	1	1
2		1148836-NLA	NLA - Kit, Frame Connection Included: (1) ea. Frame Hook, (1) ea. Hook Pin, (1) ea. C-Ring, (1) ea. Spring, (1) ea. Lever, & (1) ea. Lever Cap.	1	1
3		1148837	Kit, Lower Steering Hardware Includes: (1) ea. Steering Adj., (1) ea. Plain Washer, (2) ea. Nylon Nut, (1) ea. Bolt, (1) ea. Joint Bolt, (1) ea. Washer, & (1) ea. Guide Complete.	1	1
4		1148859	Kit, Front Wheel Includes: (2) ea. Nylon Nuts, (1) ea. Front Wheel Assembly, (1) ea. Plain Washer, (1) ea. Bolt, & (2) ea. Spacers.	1	1
5		1144806-NLA	NLA - Boot, Bellow, Tiller	1	1

**Invacare Corporation**

[www.invacare.com](http://www.invacare.com)



***Yes, you can.***

One Invacare Way  
Elyria, Oh USA  
44036-2125  
800-333-6900

Technical Support  
800-832-4707  
Customer Service  
800-333-6900

Literature Orders  
800-333-6900

© 2022 Invacare Corporation. All rights reserved. Republication, duplication or modification in whole or in part is prohibited without prior written permission from Invacare. Trademarks are identified by <sup>TM</sup> and ©. All trademarks are owned by or licensed to Invacare Corporation or its subsidiaries unless otherwise noted. (Revised 05/18/22)

Form No. 07-080