

**AX3
Wheelchair**



Yes, you can.

Parts Catalog Usage Guide

The information contained in this document is subject to change without notice. This catalog contains service parts for Form No. 07-076. If you have any questions regarding this catalog, please contact one of our Customer Service Representatives.

For Customer Service Support Call:

1-800-333-6900

For Faxed In Orders Call:

1-800-678-4682 or

1-440-366-0709

For Technical Service Call:

1-800-832-4707

Literature Can Be Found at:

www.invacare.com or

1-800-828-6272

SYMBOL DEFINITION

Throughout this catalog you will notice letters to draw your attention to specific footnotes which are located at the bottom of the page or below specified charts.

Examples:

A,B,C etc. = Special Comments

NOTE: = General information pertaining to that specific page

NLA = No Longer Available

HARDWARE MEASUREMENTS

The measurements for the hardware will be listed as follows:

Screws, Bolts Diameter X Thread Count/Pitch X Length

Washers Inside Diameter X Outside Diameter X Thickness

Spacers Inside Diameter X Outside Diameter X Length

For your convenience, we have supplied an area for you to list your Invacare Representatives.

Name	Phone Numbers

© 2022 Invacare Corporation, Elyria, Ohio. Invacare, the Medallion Design and Yes, you can. are registered trademarks of the Invacare Corporation. Information is subject to change without notification.

TABLE of CONTENTS

Description	Page Number
Accessories	53
Arms - Adjustable Swingaway Height	13
Arms - Fixed Height Swingaway	9
Arms - T-Arm Style	6
Axles and Axle Mounting Plate Hardware	17
Back Canes and Back Hardware	19
Casters - Front and Mounting Hardware	30
Crossbraces and Hardware	22
Forks and Headtube Hardware	25
Frame Finishes and Touch-Up Paint	4
Frame Hardware	27
Front Riggings - Adjustable Angle Footplate Assemblies - AT5543	40
Front Riggings - Elevating Legrest Support Assemblies - ELRSS	35
Front Riggings - Footplate and Pivot Tube Assemblies - 1651 Composite	43
Front Riggings - Legrest Calf Pads	34
Front Riggings - Swing-In-Out Footrest	32
Packaging and Literature	5
Rigidizer Bar	51
Upholstery - Back	46
Upholstery - Seat	47
Wheel Locks, Push to Lock & Push to Lock Extended	49

TABLE of CONTENTS

Description	Page Number
Wheels - Rear with Handrims	29

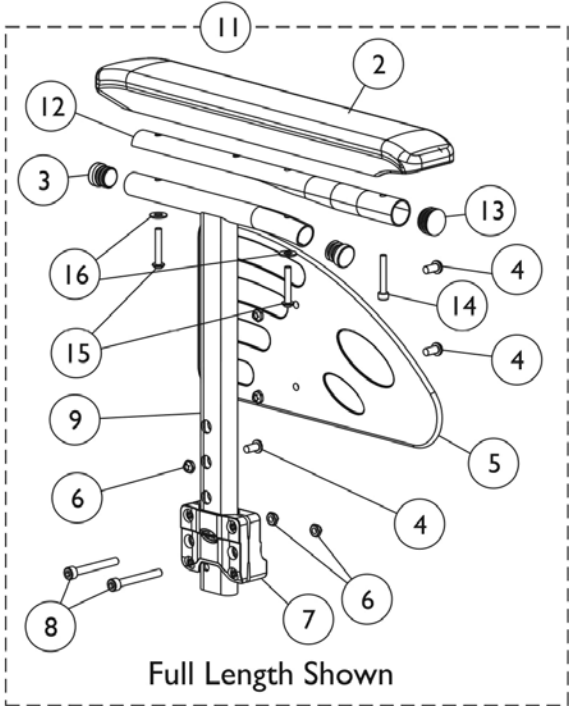
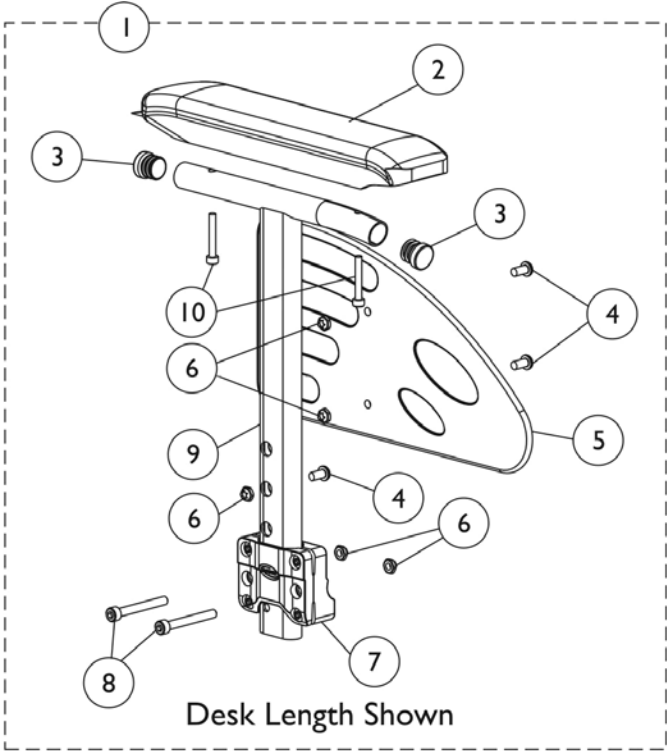
Frame Finishes and Touch-Up Paint

Contemporary Color Numbers	Touch-Up Paint (.6 oz.)	Color
115P	1133371-NLA	Black Prism
105P	1101326-NLA	Midnight Blue
60P	1101318-NLA	Silver Metallic
71P	N/A	Silver Vein
24P	1031450-NLA	Wet Black
Too Hot Color Numbers	Touch-Up Paint (.6 oz.)	Color
119P	1133375-NLA	Bubblegum Pink
61P	1046321-NLA	Electric Red
120P	1133376-NLA	Grape Madness
30P	1074167-NLA	Sunny Yellow
Way Cool Color Numbers	Touch-Up Paint (.6 oz.)	Color
122P	1133378-NLA	Cosmic Blue
62P	1046320-NLA	Electric Blue
104P	1101316-NLA	Electric Teal
125P	1133381-NLA	Emerald Green
127P	1133383-NLA	Grasshopper Green
121P	1133377-NLA	Lolly Pop Blue

Packaging and Literature

Item Number	Note	Part Number	Description	Quantity Per	
				Package	Assembly
		1147644	Packaging, AX3	1	1
			NLA - Bag, Poly (26" L x 15" W)	1	1
			NLA - Carton	1	1
			Kit, Enclosure - AX3	1	1
			NLA - Insert, Carton	1	1
			Insert, Top Carton	1	1
			NLA - Bag, Poly	1	1
		1143216-NLA	NLA - Owner's Manual, AX3	1	1

T-Arm Style Arms



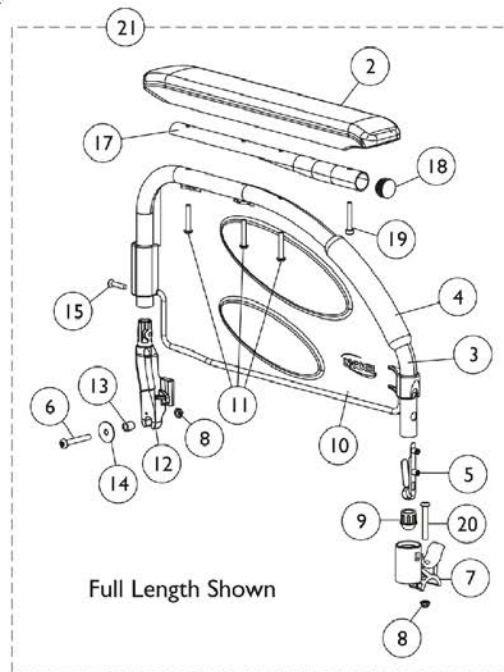
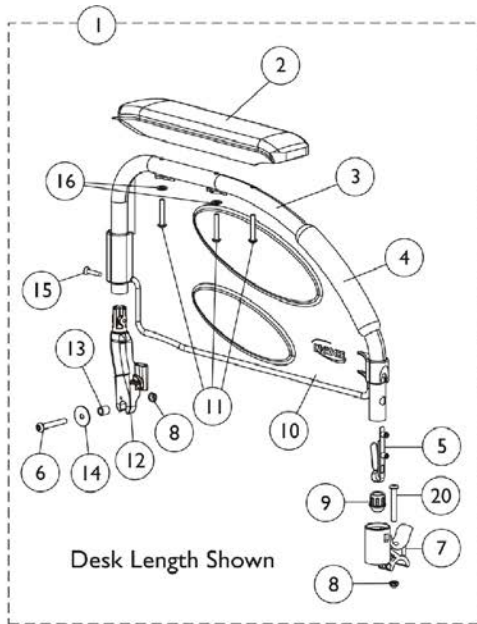
T-Arm Style Arms

Item Number	Note	Part Number	Description	Quantity Per	
				Package	Assembly
1	A	1428596-0601	Armrest, T-Arm, Adjustable Height, Desk - Right	1	1
2			Arm Pad, Desk Length	1	1
3			Plug Button, Black (3/4")	1	2
4			Screw, Socket Button Head (M6 x 1 x 12mm)	1	3
5			Guard, Clothing - Right/Left	1	1
6			NLA - Locknut (M6 x 1)	1	5
7			NLA - Support, Armrest	1	1
8			Screw, Socket Head (M6 x 50)	1	2
9			Tube, Armrest - Right	1	1
10			Screw, Socket, Button Head (M5 x 35mm)	1	2
1	A	1428597-0601	Armrest, T-Arm, Adjustable Height, Desk - Left	1	1
2			Arm Pad, Desk Length	1	1
3			Plug Button, Black (3/4")	1	2
4			Screw, Socket Button Head (M6 x 1 x 12mm)	1	3
5			Guard, Clothing - Right/Left	1	1
6			NLA - Locknut (M6 x 1)	1	5
7			NLA - Support, Armrest	1	1
8			Screw, Socket Head (M6 x 50)	1	2
9			Tube, Armrest, Black - Left	1	1
10			Screw, Socket, Button Head (M5 x 35mm)	1	2
11	B	1428598-0601	Armrest, T-Arm, Adjustable Height, Full - Right	1	1
2			Arm Pad, Full Length	1	1
3			Plug Button, Black (3/4")	1	2
4			Screw, Socket Button Head (M6 x 1 x 12mm)	1	3
5			Guard, Clothing - Right/Left	1	1
6			NLA - Locknut (M6 x 1)	1	5
7			NLA - Support, Armrest	1	1
8			Screw, Socket Head (M6 x 50)	1	2
9			Tube, Armrest - Right	1	1
12			Tube, Support, Armpad, Full Length	1	1
13		Button, Plug (22mm)	1	1	
14		Screw, Socket Head, Torx (K50 x 30mm)	1	1	
15		Screw, Socket, Button Head (M5 x 35mm)	1	2	
16		Washer (.250 x .562 x .065/036)	1	2	
11	B	1428599-0601	Armrest, T-Arm, Adjustable Height, Full - Left	1	1
2			Arm Pad, Full Length	1	1
3			Plug Button, Black (3/4")	1	2
4			Screw, Socket Button Head (M6 x 1 x 12mm)	1	3
5			Guard, Clothing - Right/Left	1	1
6			NLA - Locknut (M6 x 1)	1	5
7			NLA - Support, Armrest	1	1
8			Screw, Socket Head (M6 x 50)	1	2
9			Tube, Armrest, Black - Left	1	1
12			Tube, Support, Armpad, Full Length	1	1

T-Arm Style Arms

Item Number	Note	Part Number	Description	Quantity Per	
				Package	Assembly
13			Button, Plug (22mm)	1	1
14			Screw, Socket Head, Torx (K50 x 30mm)	1	1
15			Screw, Socket, Button Head (M5 x 35mm)	1	2
16			Washer (.250 x .562 x .065/036)	1	2
	C	1151420-NLA	NLA - Arm Pad w/Hardware, Full Length	1	1
2			Pad, Arm, Full Length	1	1
14			Screw, Socket Head, Torx (K50 x 30mm)	1	1
15			Screw, Socket Head, Torx (K50 x 35mm)	1	2
16			Washer (.250 x .562 x .065/036)	1	2
	D	1151386-NLA	NLA - Armpad Kit w/Hardware, Desk Length	1	1
2			Arm Pad, Desk Length	1	1
14			Screw, Socket Head, Torx (K50 x 30mm)	1	2
	E	1151387	Kit, Clothing Guard w/ Hardware	1	1
4			Screw, Socket Button Head (M6 x 1 x 12mm)	1	3
5			Guard, Clothing - Right/Left	1	1
6			NLA - Locknut (M6 x 1)	1	3
	F	1430421-NLA	Kit, Attaching Hardware, T-Arm	1	1
6			NLA - Locknut (M6 x 1)	1	2
7			NLA - Support, Armrest	1	1
8			Screw, Socket Head (M6 x 50)	1	2
3	G	1151389	Package, Plug Button, Black (3/4")	10	1
13	G	1151390-NLA	NLA - Package, Plug Button, Black (22mm)	10	1
NOTE: A - Includes items 2 - 10. B - Includes items 2 - 9, and 12 - 16. C - Includes items 2, 14, 15 and 16. D - Includes items 2 and 10. E - Includes items 4 - 6. F - Includes 6 - 8. G - Includes a packet of 10 plug buttons.					

Fixed Height Swingaway Arms



Fixed Height Swingaway Arms

Item Number	Note	Part Number	Description	Quantity Per	
				Package	Assembly
1	A	8881147703-NL A	NLA - Armrest, Swingaway, Fixed Height, Desk, Right	1	1
2			Arm Pad, Desk Length	1	1
3			Tube, Armrest, Color	1	1
4			Grip, Foam Armrest	1	1
5			Spring, Torsion with Button Lock	1	1
6			NLA - Screw, Socket Button Head (M6 x 40mm)	1	1
7			Support, Armrest, Front	1	1
8			NLA - Locknut (M6 x 1)	1	2
9			Plug, Armrest	1	1
10			Guard, Clothing, Desk Length - Right	1	1
11			Screw, Socket Head, Torx (K50 x 35mm)	1	3
12			Support, Armrest - Right	1	1
13			Bushing (6mmx 9.4mm x 10mm)	1	1
14			Washer (6.6 x 22 x 2)	1	1
15			Screw, Countersunk (M4.8)	1	1
16			Washer (6 x 12 x 1.2)	1	2
20			Screw (M6 x 1 x 35mm)	1	1
1	A	8881147704-NL A	NLA - Armrest, Swingaway, Fixed Height, Desk, Left	1	1
2			Arm Pad, Desk Length	1	1
3			Tube, Armrest, Color	1	1
4			Grip, Foam Armrest	1	1
5			Spring, Torsion with Button Lock	1	1
6			NLA - Screw, Socket Button Head (M6 x 40mm)	1	1
7			Support, Armrest, Front	1	1
8			NLA - Locknut (M6 x 1)	1	2
9			Plug, Armrest	1	1
10			Guard, Clothing, Desk Length - Left	1	1
11			Screw, Socket Head, Torx (K50 x 35mm)	1	3
12			Support, Armrest - Left	1	1
13			Bushing (6mmx 9.4mm x 10mm)	1	1
14			Washer (6.6 x 22 x 2)	1	1
15			Screw, Countersunk (M4.8)	1	1
16			Washer (6 x 12 x 1.2)	1	2
20			Screw (M6 x 1 x 35mm)	1	1
21	B	8881147705-NL A	NLA - Armrest, Swingaway, Fixed Height, Full, Right	1	1
2			Pad, Arm, Full Length	1	1
3			Tube, Armrest, Color	1	1
4			Grip, Foam Armrest	1	1
5			Spring, Torsion with Button Lock	1	1
6			NLA - Screw, Socket Button Head (M6 x 40mm)	1	1
7			Support, Armrest, Front	1	1
8			NLA - Locknut (M6 x 1)	1	2

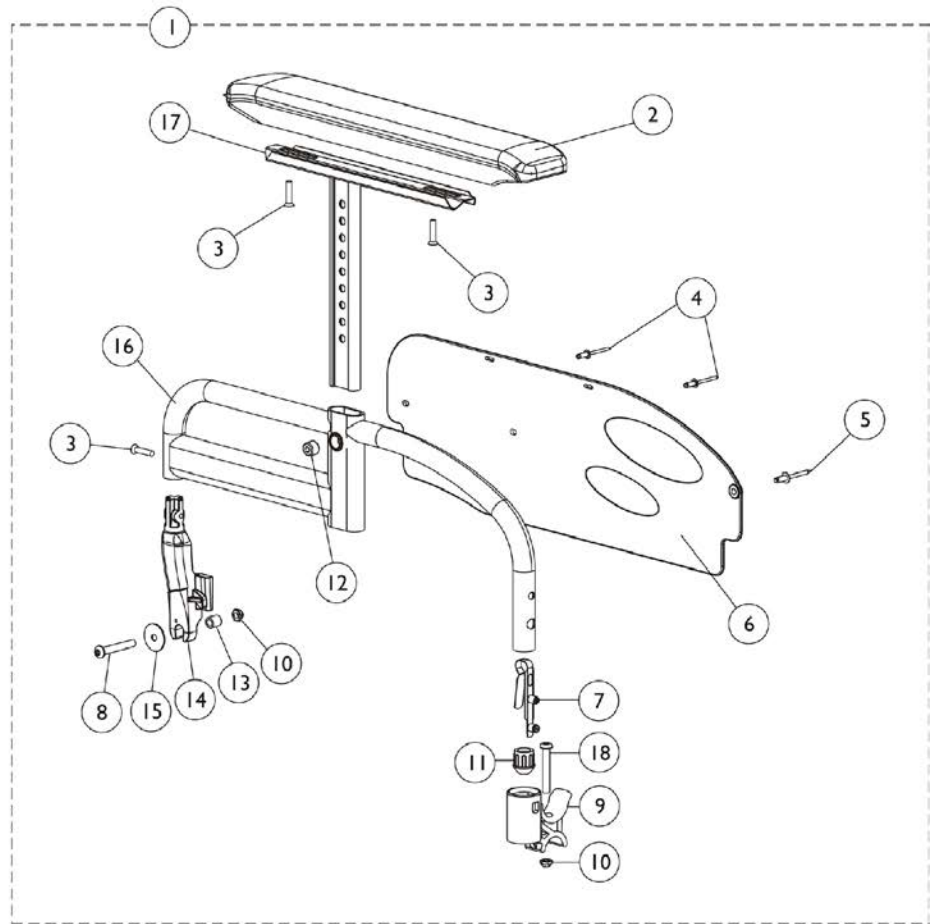
Fixed Height Swingaway Arms

Item Number	Note	Part Number	Description	Quantity Per	
				Package	Assembly
9			Plug, Armrest	1	1
10			Guard, Clothing, Desk Length - Right	1	1
11			Screw, Socket Head, Torx (K50 x 35mm)	1	3
12			Support, Armrest - Right	1	1
13			Bushing (6mmx 9.4mm x 10mm)	1	1
14			Washer (6.6 x 22 x 2)	1	1
15			Screw, Countersunk (M4.8)	1	1
17			Tube, Support, Arm Pad, Full Length	1	1
18			Button, Plug (22mm)	1	1
19			Screw, Socket Head, Torx (K50 x 30mm)	1	1
20			Screw (M6 x 1 x 35mm)	1	1
21	B	8881147706-NL A	NLA - Armrest, Swingaway, Fixed Height, Full, Left	1	1
2			Pad, Arm, Full Length	1	1
3			Tube, Armrest, Color	1	1
4			Grip, Foam Armrest	1	1
5			Spring, Torsion with Button Lock	1	1
6			NLA - Screw, Socket Button Head (M6 x 40mm)	1	1
7			Support, Armrest, Front	1	1
8			NLA - Locknut (M6 x 1)	1	2
9			Plug, Armrest	1	1
10			Guard, Clothing, Desk Length - Left	1	1
11			Screw, Socket Head, Torx (K50 x 35mm)	1	3
12			Support, Armrest - Left	1	1
13			Bushing (6mmx 9.4mm x 10mm)	1	1
14			Washer (6.6 x 22 x 2)	1	1
15			Screw, Countersunk (M4.8)	1	1
17			Tube, Support, Arm Pad, Full Length	1	1
18			Button, Plug (22mm)	1	1
19			Screw, Socket Head, Torx (K50 x 30mm)	1	1
20			Screw (M6 x 1 x 35mm)	1	1
	C	1151421-NLA	NLA - Arm Pad w/Hardware, Full Length	1	1
2			Pad, Arm, Full Length	1	1
11			Screw, Socket Head, Torx (K50 x 35mm)	1	3
19			Screw, Socket Head, Torx (K50 x 30mm)	1	1
	D	1151391-NLA	NLA - Arm Pad w/Hardware, Desk Length	1	1
2			Arm Pad, Desk Length	1	1
11			Screw, Socket Head, Torx (K50 x 35mm)	1	3
16			Washer (6 x 12 x 1.2)	1	2
	E	1151392-NLA	NLA - H-Block Kit, Front	1	1
6			Screw (M6 x 1 x 35mm)	1	1
7			Support, Armrest, Front	1	1
8			NLA - Locknut (M6 x 1)	1	1
	F	1151393-NLA	NLA - Support Kit, Armrest, Right	1	1
6			NLA - Screw, Socket Button Head (M6 x 40mm)	1	1

Fixed Height Swingaway Arms

Item Number	Note	Part Number	Description	Quantity Per			
				Package	Assembly		
8	F	1151394-NLA	NLA - Locknut (M6 x 1)	1	1		
12			Support, Armrest - Right	1	1		
13			Bushing (6mmx 9.4mm x 10mm)	1	1		
14			Washer (6.6 x 22 x 2)	1	1		
15			Screw, Countersunk (M4.8)	1	1		
			NLA - Support Kit, Armrest, Left	1	1		
6			NLA - Screw, Socket Button Head (M6 x 40mm)	1	1		
12			Support, Armrest - Left	1	1		
13			Bushing (6mmx 9.4mm x 10mm)	1	1		
14			Washer (6.6 x 22 x 2)	1	1		
15			Screw, Countersunk (M4.8)	1	1		
NOTE: A - Includes items 2 - 16 and 20. B - Includes items 2 - 20. C - Not shown. Includes items 2, 11 and 19. D - Not shown. Includes items 2, 11 and 16. E - Not shown. Includes items 6 - 8. F - Not shown. Includes items 6, 8, 12, 13, 14 and 15.							

Adjustable Swingaway Height Arms



Adjustable Swingaway Height Arms

Item Number	Note	Part Number	Description	Quantity Per	
				Package	Assembly
1	A	8881147707-NL A	NLA - Armrest, Adjustable Height, Desk, Right	1	1
2			Pad, Arm, Desk Length	1	1
3			Screw, Phillips Flat Head (#4-40 x 3/8")	1	3
4			Rivet, Pop (5 x 10)	1	2
5			Rivet	1	1
6			Guard, Clothing	1	1
7			Spring, Torsion with Button Lock	1	1
8			NLA - Screw, Socket Button Head (M6 x 40mm)	1	1
9			Support, Armrest, Front	1	1
10			NLA - Locknut (M6 x 1)	1	2
11			Plug, Armrest	1	1
12			Screw, Socket Head (M12 x 12.5)	1	1
13			Bushing (6mmx 9.4mm x 10mm)	1	1
14			Support, Armrest - Right	1	1
15			Washer (6.6 x 22 x 2)	1	1
16			Armrest - Right	1	1
17			Arm Pad Mounting Assembly - Right	1	1
18			Screw (M6 x 1 x 35mm)	1	1
1	A	8881147708-NL A	NLA - Armrest, Adjustable Height, Desk, Left	1	1
2			Pad, Arm, Desk Length	1	1
3			Screw, Phillips Flat Head (#4-40 x 3/8")	1	1
4			Rivet, Pop (5 x 10)	1	2
5			Rivet	1	1
6			Guard, Clothing	1	1
7			Spring, Torsion with Button Lock	1	1
8			NLA - Screw, Socket Button Head (M6 x 40mm)	1	1
9			Support, Armrest, Front	1	1
10			NLA - Locknut (M6 x 1)	1	2
11			Plug, Armrest	1	1
12			Screw, Socket Head (M12 x 12.5)	1	1
13			Bushing (6mmx 9.4mm x 10mm)	1	1
14			Support, Armrest - Left	1	1
15			Washer (6.6 x 22 x 2)	1	1
16			Armrest - Left	1	1
17			Arm Pad Mounting Assembly - Left	1	1
18			Screw (M6 x 1 x 35mm)	1	1
1	A	8881147709-NL A	NLA - Armrest, Adjustable Height, Full, Right	1	1
2			Arm Pad, Full Length	1	1
3			Screw, Phillips Flat Head (#4-40 x 3/8")	1	3
4			Rivet	1	1
5			Rivet, Pop (5 x 10)	1	2
6			Guard, Clothing	1	1

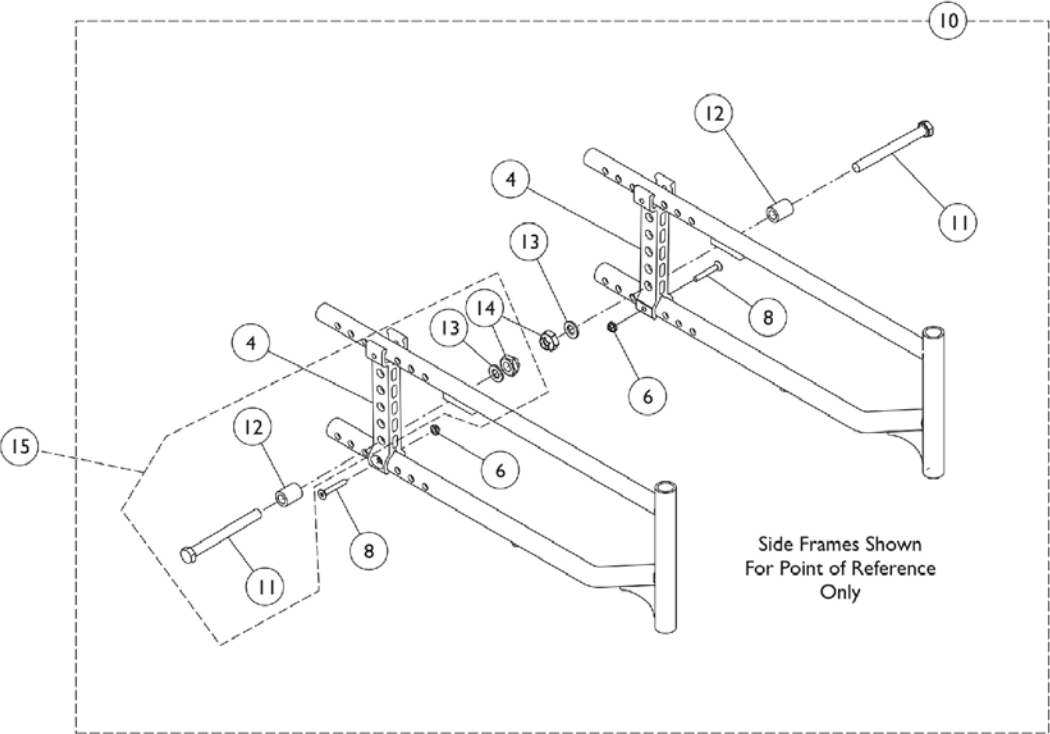
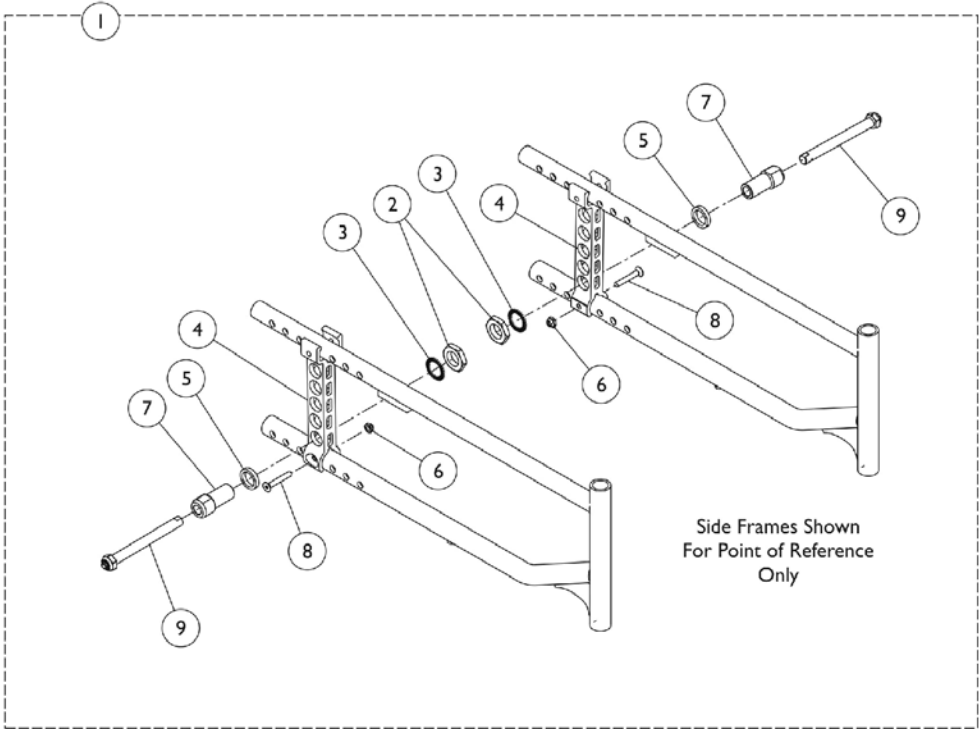
Adjustable Swingaway Height Arms

Item Number	Note	Part Number	Description	Quantity Per	
				Package	Assembly
7			Spring, Torsion with Button Lock	1	1
8			NLA - Screw, Socket Button Head (M6 x 40mm)	1	1
9			Support, Armrest, Front	1	1
10			NLA - Locknut (M6 x 1)	1	2
11			Plug, Armrest	1	1
12			Screw, Socket Head (M12 x 12.5)	1	1
13			Bushing (6mmx 9.4mm x 10mm)	1	1
14			Support, Armrest - Right	1	1
15			Washer (6.6 x 22 x 2)	1	1
16			Armrest - Right	1	1
17			Arm Pad Mounting Assembly - Right	1	1
18			Screw (M6 x 1 x 35mm)	1	1
1	A	8881147710-NL A	NLA - Armrest, Adjustable Height, Full, Left	1	1
2			Arm Pad, Full Length	1	1
3			Screw, Phillips Flat Head (#4-40 x 3/8")	1	3
4			Rivet	1	1
5			Rivet, Pop (5 x 10)	1	2
6			Guard, Clothing	1	1
7			Spring, Torsion with Button Lock	1	1
8			NLA - Screw, Socket Button Head (M6 x 40mm)	1	1
9			Support, Armrest, Front	1	1
10			Plug, Armrest	1	1
11			Screw, Socket Head (M12 x 12.5)	1	1
12			Bushing (6mmx 9.4mm x 10mm)	1	1
13			Support, Armrest - Left	1	1
14			Washer (6.6 x 22 x 2)	1	1
15			Armrest - Left	1	1
16			Arm Pad Mounting Assembly - Left	1	1
17			Screw (M6 x 1 x 35mm)	1	1
18			NLA - Locknut (M6 x 1)	1	2
	B	1151422	Arm Pad w/Hardware, Full Length	1	1
2			Pad, Arm, Full Length	1	1
3			Screw, Phillips Flat Head (#4-40 x 3/8")	1	3
	B	1151395	Arm Pad w/Hardware, Desk Length	1	1
2			Pad, Arm, Desk Length	1	1
3			Screw, Phillips Flat Head (#4-40 x 3/8")	1	2
	C	1151392-NLA	NLA - H-Block Kit, Front	1	1
8			Screw (M6 x 1 x 35mm)	1	1
9			Support, Armrest, Front	1	1
10			NLA - Locknut (M6 x 1)	1	1
	D	1151397-NLA	NLA - Armrest Support, Adjustable Height, Right	1	1
3			Screw, Phillips Flat Head (#4-40 x 3/8")	1	1
8			NLA - Screw, Socket Button Head (M6 x 40mm)	1	1
10			NLA - Locknut (M6 x 1)	1	1

Adjustable Swingaway Height Arms

Item Number	Note	Part Number	Description	Quantity Per			
				Package	Assembly		
13	D	1151398-NLA	Bushing (6mmx 9.4mm x 10mm)	1	1		
14			Support, Armrest - Right	1	1		
15			Washer (6.6 x 22 x 2)	1	1		
			NLA - Armrest Support, Adjustable Height, Left	1	1		
3			Screw, Phillips Flat Head (#4-40 x 3/8")	1	1		
8			NLA - Screw, Socket Button Head (M6 x 40mm)	1	1		
10			NLA - Locknut (M6 x 1)	1	1		
13			Bushing (6mmx 9.4mm x 10mm)	1	1		
14			Support, Armrest - Left	1	1		
15			Washer (6.6 x 22 x 2)	1	1		
NOTE: A - Includes items 2 - 18. B - Not shown. Includes items 2 and 3. C - Not shown. Includes items 8 - 10. D - Not shown. Includes items 3, 8, 10, 13, 14 and 15.							

Axles and Axle Mounting Plate Hardware

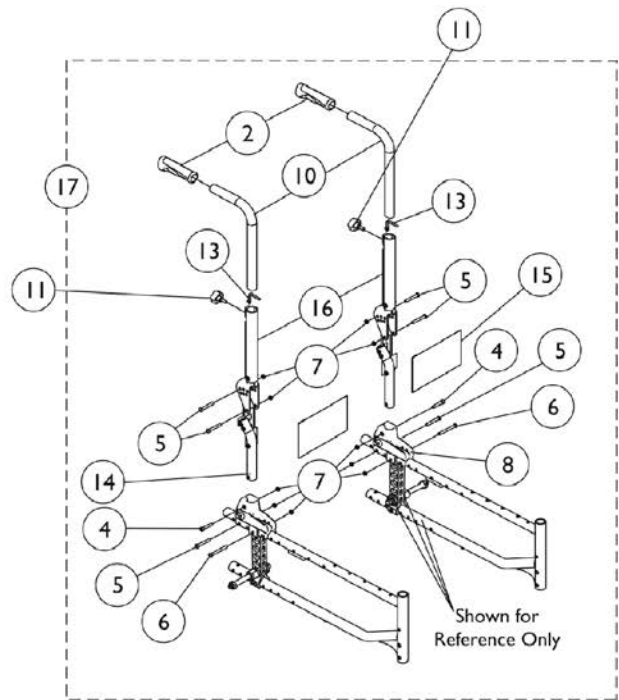
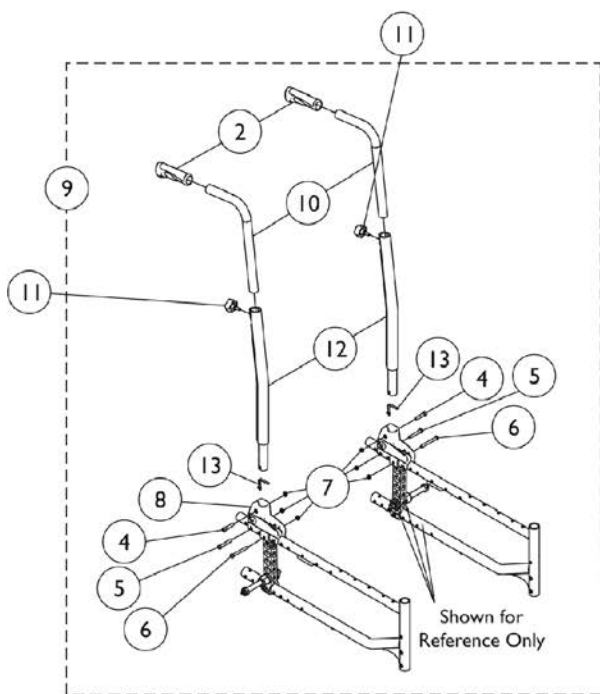
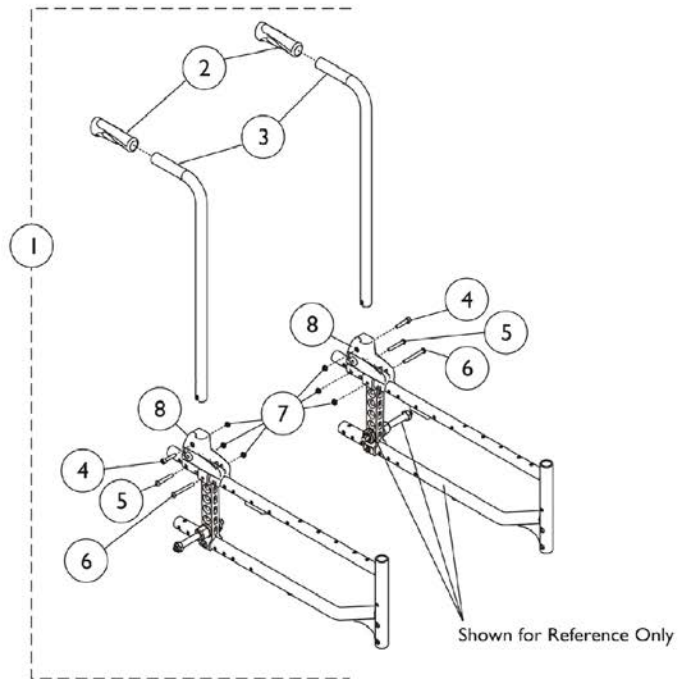


Axles and Axle Mounting Plate Hardware

Item Number	Note	Part Number	Description	Quantity Per	
				Package	Assembly
1	A	1430177-NLA	NLA - Axle, Quick Release Assembly, Spoked	1	1
2			Screw, C-Sunk Head (M6 x 1 x 40mm)	2	1
3			Plate, Axle, Quick Release	2	1
4			Axle, Quick Release	2	1
5			Lug, Axle	2	1
6			Washer (20 x 27 x 5)	2	1
7			Washer, Serrated (M20.3 x 30mm x 1.5mm)	2	1
8			Nut (3/4-16)	2	1
9			NLA - Locknut (M6 x 1)	2	1
10	B	1430182-NLA	NLA - Axle, Fixed Assembly, Composite	1	1
4			Screw, C-Sunk Head (M6 x 1 x 40mm)	2	1
6			Plate, Axle, Fixed	2	1
8			Screw, Hex (M12 x 1.75 x 115mm)	2	1
11			Washer (M22 x 12mm x 2.5mm)	2	1
12			Nut, Hex (M12 X 1.75)	2	1
13			Spacer (12.2MM x 20 x 25.4mm)	2	1
14	NLA - Locknut (M6 x 1)	2	1		
15	C	1151399-NLA	NLA - Axle Kit, Fixed Spoke	1	1
11			Screw, Hex (M12 x 1.75 x 115mm)	2	1
12			Spacer (12.2MM x 20 x 25.4mm)	2	1
13			Washer (M22 x 12mm x 2.5mm)	2	1
14			Nut, Hex (M12 X 1.75)	2	1

NOTE: A - Includes items 2-9.
 B - Includes items 4-6 and 11-14. Item #5 Axle Plate surface coating changed from colorless to a champagne color as of 11/16/09.
 C - Includes items 11-14.

Back Canes and Back Hardware



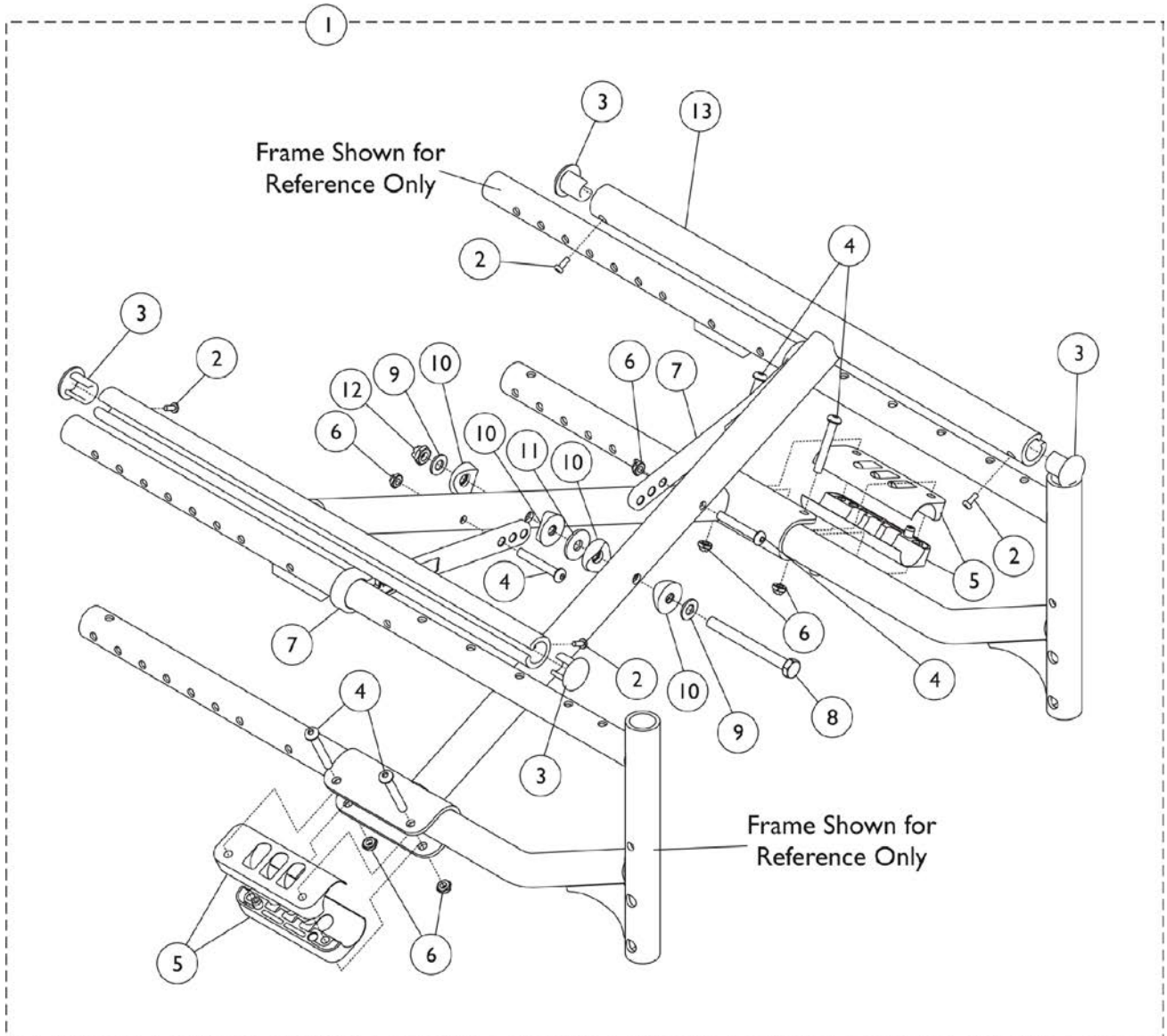
Back Canes and Back Hardware

Item Number	Note	Part Number	Description	Quantity Per	
				Package	Assembly
1	A	1428635-0601-N LA	NLA - Cane w/Hardware, Rear, 0 Degree (16" High)	1	1
2			Grip, Cane	1	2
3			Back Cane, Fixed, Zero Degree (16" H)	1	2
4			Screw, Socket Head Cap (M6 x 1 x 30)	1	2
5			NLA - Screw, Socket Button Head (M6 x 40mm)	1	2
6			Screw, Socket Button Head (M6 x 53mm)	1	2
8			Bracket, Cane, Rear	1	2
1	A	1428637-0601-N LA	NLA - Cane w/ Hardware, Rear, 7 Degree (16" High)	1	1
2			Grip, Cane	1	2
3			Back Cane, Fixed, 7 Degree (16" H)	1	2
4			Screw, Socket Head Cap (M6 x 1 x 30)	1	2
5			NLA - Screw, Socket Button Head (M6 x 40mm)	1	2
6			Screw, Socket Button Head (M6 x 53mm)	1	2
8			Bracket, Cane, Rear	1	2
9	B	1147717-NLA	NLA - Cane w/Hardware, Rear, 7 Degree, Adjustable Height	1	1
2			Grip, Cane	1	2
4			Screw, Socket Head Cap (M6 x 1 x 30)	1	2
5			NLA - Screw, Socket Button Head (M6 x 40mm)	1	2
6			Screw, Socket Button Head (M6 x 53mm)	1	2
8			Bracket, Cane, Rear	1	2
10			Tube, Cane, Rear, Adjustable Height	1	2
12			Cane, Back, Adjustable Height, Black, 7 Degree - Right/Left	1	2
13			Button, Spring	1	2
17	C	1147716-NLA	NLA - Cane w/Hardware, Rear, Adjustable Height, Adjustable Angle	1	1
2			Grip, Cane	1	2
4			Screw, Socket Head Cap (M6 x 1 x 30)	1	2
5			NLA - Screw, Socket Button Head (M6 x 40mm)	1	6
6			Screw, Socket Button Head (M6 x 53mm)	1	2
8			Bracket, Cane, Rear	1	2
10			Tube, Cane, Rear, Adjustable Height	1	2
13			Button, Spring	1	2
14			Cane, Back, Adjustable Height, Adjustable Angle, Lower	1	2
15			Upholstery, Pad, Cane, Rear	1	2
16			Cane, Back, Adjustable Height, Adjustable Angle, Upper	1	2
		1147718-NLA	NLA - Hardware, Back Upholstery	1	1
11			Knob (M6 x 16)	1	2
	D	1151400-NLA	NLA - Grip Kit	1	1
2			Grip, Cane	1	2
	E	1151401-NLA	NLA - Cane Kit, Fixed 0 Degree	1	1

Back Canes and Back Hardware

Item Number	Note	Part Number	Description	Quantity Per	
				Package	Assembly
3			Back Cane, Fixed, Zero Degree (16" H)	1	1
4			Screw, Socket Head Cap (M6 x 1 x 30)	1	1
			Button, Plug (22mm)	1	1
	F,I	1151402-NLA	NLA - Bracket Kit, Back	1	1
4			Screw, Socket Head Cap (M6 x 1 x 30)	1	1
5			NLA - Screw, Socket Button Head (M6 x 40mm)	1	1
6			Screw, Socket Button Head (M6 x 53mm)	1	1
8			Bracket, Cane, Rear	1	1
	G,I	1151403-NLA	NLA - Cane Assembly, Rear, Adjustable Height, 7 Degree	1	1
10			Tube, Cane, Rear, Adjustable Height	1	1
11			Knob (M6 x 16)	1	1
12			Cane, Back, Adjustable Height, Black, 7 Degree - Right/Left	1	1
			Button, Plug (22mm)	1	1
	H,I	1151404-NLA	NLA - Cane Assembly, Rear, Adjustable Height, Adjustable Angle	1	1
4			Screw, Socket Head Cap (M6 x 1 x 30)	1	1
5			NLA - Screw, Socket Button Head (M6 x 40mm)	1	2
7			NLA - Locknut (M6 x 1)	1	3
10			Tube, Cane, Rear, Adjustable Height	1	1
11			Knob (M6 x 16)	1	1
16			Cane, Back, Adjustable Height, Adjustable Angle, Upper	1	1
17			Button, Spring	1	1
<p>NOTE: A - Includes items 2-8. B - Includes 2, 4-8, 10, 12 and 13. C - Includes 2, 4-8 and 10, 13-16. D - Not shown. Includes item 2 E - Not shown. Includes items 3, 4, 7 and plug button. F - Not shown. Includes items 4-8. G - Not shown. Includes items 10-12 and plug button. H - Not shown. Includes items 4, 5, 7, 10, 11, 16 and 17. I - Sold per side.</p>					

Crossbraces and Hardware



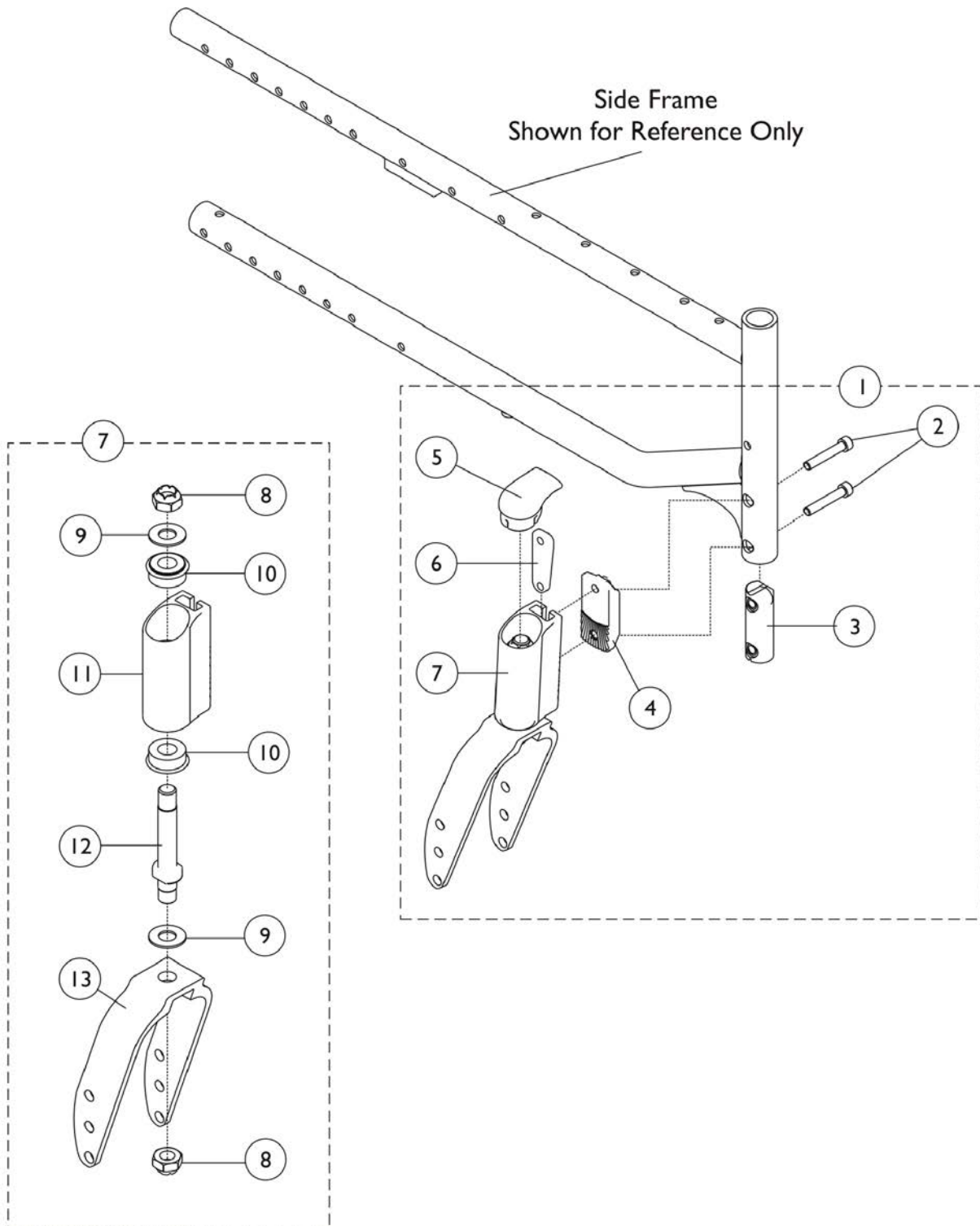
Crossbraces and Hardware

Item Number	Note	Part Number	Description	Quantity Per	
				Package	Assembly
1	A	1428877-0601-N LA	NLA - Crossbrace Assembly w/ Hardware, Black (16" W x 16" D)	1	1
1	A	1428879-0601-N LA	NLA - Crossbrace Assembly w/ Hardware, Black (18" W x 16" D)	1	1
1	A	1428881-0601-N LA	NLA - Crossbrace Assembly w/ Hardware, Black (20" W x 16" D)	1	1
1	A	1428883-0601-N LA	NLA - Crossbrace Assembly w/ Hardware, Black (16" W x 18" D)	1	1
1	A	1428885-0601-N LA	NLA - Crossbrace Assembly w/ Hardware, Black (18" W x 18" D)	1	1
1	A	1428887-0601-N LA	NLA - Crossbrace Assembly w/ Hardware, Black (20" W x 18" D)	1	1
2		0029-40518-NLA	NLA - Screw, Phillips Pan Head (M3.5 x .6 x 9.5mm)	1	4
3		0572-04843-NLA	NLA - Plug Button	1	4
4		0029-40509-NLA	NLA - Screw, Socket Button Head (M6 x 40mm)	1	6
5		1426739	Clamp, Saddle, Crossbar	1	4
6		0029X10500-NL A	NLA - Locknut (M6 x 1)	1	6
7		1423415-NLA	NLA - Link, Pivot, Crossbrace (15 - 17" W)	1	2
8		0029-40522-NLA	NLA - Screw, Hex Head (M8 x 1.25 x 80mm)	1	1
9		0030-40503-NLA	NLA - Washer (M8 x 16mm x 1.5mm)	1	2
10		0569-04310-NLA	NLA - Washer, Coved	1	4
11		0572-06386-NLA	NLA - Washer (24 x 8.4 x 2)	1	1
12		0029-10508-NLA	NLA - Locknut (M8 x 1.25)	1	1
13		1423418	Crossbrace, Black (16" W x 16" D)	1	2
13		1423420	Crossbrace, Black (18" W x 16" D)	1	2
13		1423422	Crossbrace, Black (20" W x 16" D)	1	2
13		1423424	Crossbrace, Black (16" W x 18" D)	1	2
13		1423426	Crossbrace, Black (18" W x 18" D)	1	2
13		1423428	Crossbrace, Black (20" W x 18" D)	1	2
	B	1151405-NLA	NLA - Seat Rail Plugs	1	1
2			NLA - Screw, Phillips Pan Head (M3.5 x .6 x 9.5mm)	1	4
3			NLA - Plug Button	1	4
	C	1151406-NLA	NLA - Pivot Link Kit, 15W - 17W	1	1
4			NLA - Screw, Socket Button Head (M6 x 40mm)	1	1
6			NLA - Locknut (M6 x 1)	1	1
7			NLA - Link, Pivot, Crossbrace (15 - 17" W)	1	1
	C	1151407-NLA	NLA - Pivot Link Kit, 18W - 20W	1	1
4			NLA - Screw, Socket Button Head (M6 x 40mm)	1	1
6			NLA - Locknut (M6 x 1)	1	1
7			Link, Pivot, Crossbrace (18 - 20" W)	1	1
	D	1151408-NLA	NLA - Clamp Kit, Crossbrace Saddle	1	1
4			NLA - Screw, Socket Button Head (M6 x 40mm)	1	2
5			Clamp, Saddle, Crossbar	1	2

Crossbraces and Hardware

Item Number	Note	Part Number	Description	Quantity Per	
				Package	Assembly
6	E	1151409	NLA - Locknut (M6 x 1)	1	2
			NLA - Hardware Kit, Crossbrace Pivot	1	1
8			NLA - Screw, Hex Head (M8 x 1.25 x 80mm)	1	1
9			NLA - Washer (M8 x 16mm x 1.5mm)	1	2
10			NLA - Washer, Coved	1	4
11			NLA - Washer (24 x 8.4 x 2)	1	1
12			NLA - Locknut (M8 x 1.25)	1	1
NOTE: A - Includes items 2-13. B - Includes items 2 and 3. C - Includes items 4, 6 and 7. D - Includes items 4-6. E - Includes items 8-12.					

Forks and Headtube Hardware

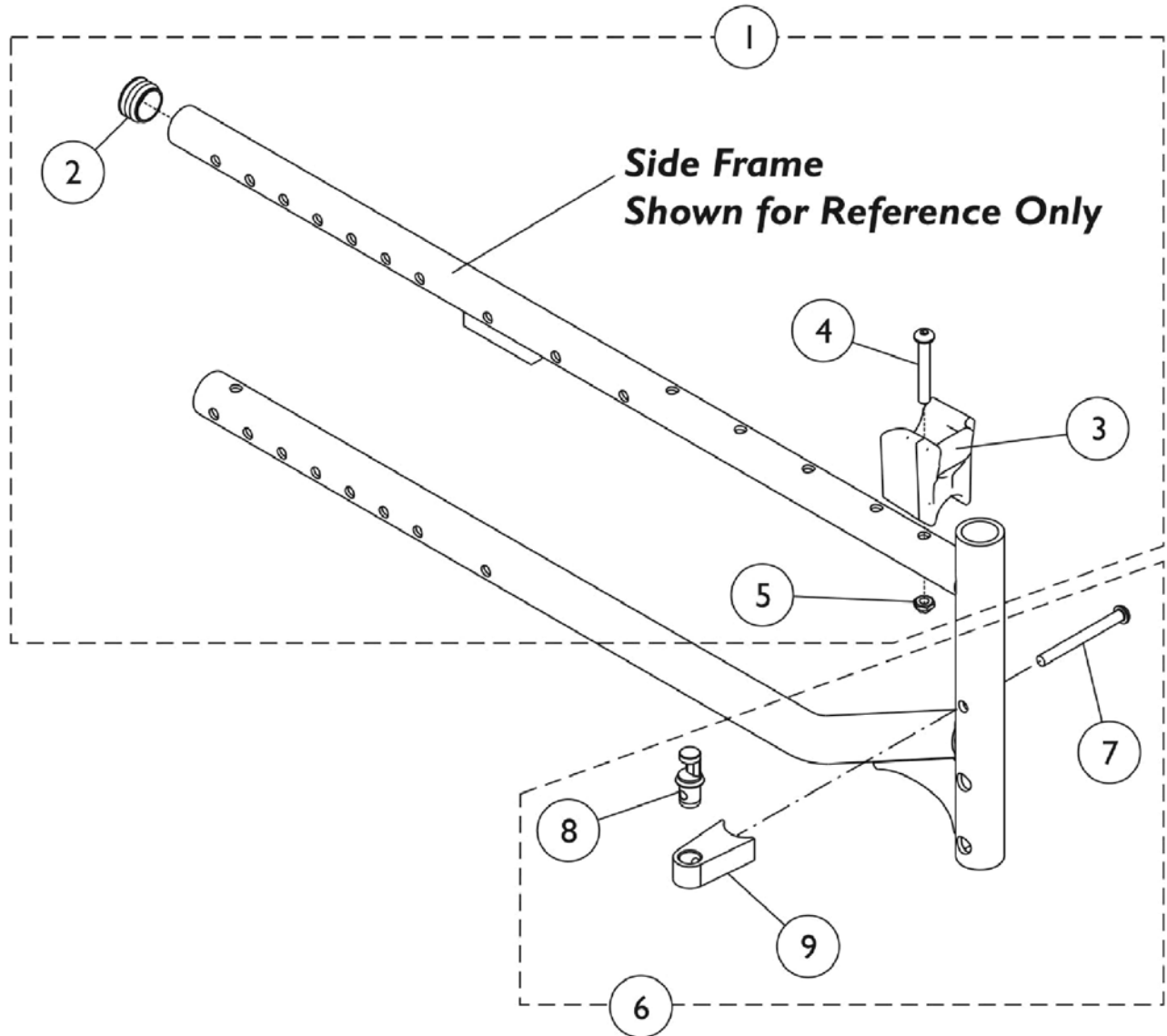


Forks and Headtube Hardware

Item Number	Note	Part Number	Description	Quantity Per	
				Package	Assembly
1	A	1450025-NLA	NLA - Assembly, Head Tube with Hardware	1	1
2			Screw, (M6 x 1 x 37mm)	1	2
3			Insert, Support Fork	1	1
4			Plate, Mounting Caster, Inner	1	1
5			Cap, Head Tube	1	1
6			Plate, Mounting Tube Head	1	1
8			Locknut (M12 x 1.75)	1	2
9			Washer, Plain	1	2
10			Bearing, Radial Flanged	1	2
11			Tube, Head	1	1
12			Stem, Fork	1	1
13			Fork	1	1
7			B	1449113	
8	Locknut (M12 x 1.75)	1			2
9	Washer, Plain	1			2
10	Bearing, Radial Flanged	1			2
11	Tube, Head	1			1
12	Stem, Fork	1			1
13	Fork	1	1		
	C	1151410-NLA	NLA - Fork Kit	1	1
8			Locknut (M12 x 1.75)	1	2
9			Washer, Plain	1	2
12			Stem, Fork	1	1
13			Fork	1	1
	D	1151411-NLA	NLA - Headtube Kit, Caster	1	1
2			Screw, (M6 x 1 x 37mm)	1	2
3			Insert, Support Fork	1	1
4			Plate, Mounting Caster, Inner	1	1
5			Cap, Head Tube	1	1
6			Plate, Mounting Tube Head	1	1
11			Tube, Head	1	1
	E	1151412-NLA	NLA - Hardware Kit, Headtube Mounting	1	1
2			Screw, (M6 x 1 x 37mm)	1	2
6			Plate, Mounting Tube Head	1	1
NOTE: A - Includes items 2-13. B - Includes items 8-13. C - Includes items 8, 9, 12 and 13. D - Includes items 2, 3, 4, 5, 6 and 11. E - Includes items 2 and 6.					

Frame Hardware

SIDE FRAMES CANNOT BE SERVICED IN THE FIELD.



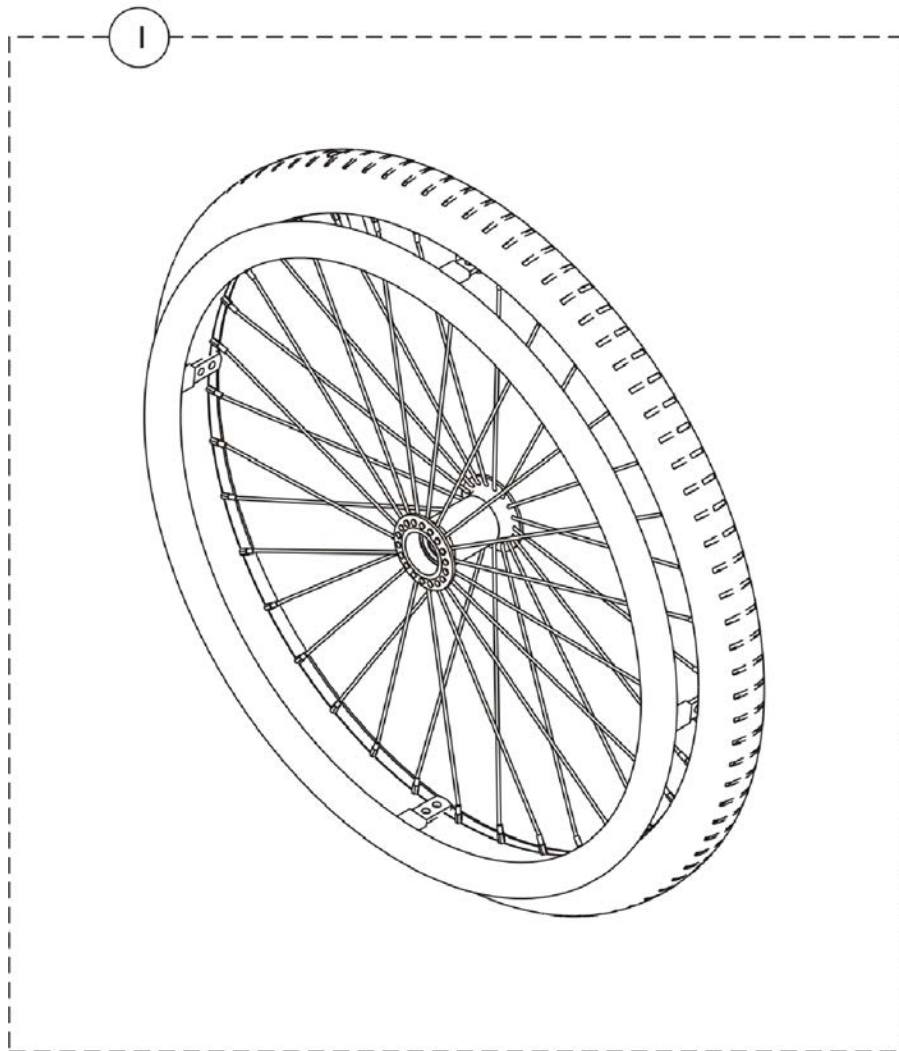
Frame Hardware

SIDE FRAMES CANNOT BE SERVICED IN THE FIELD.

Item Number	Note	Part Number	Description	Quantity Per	
				Package	Assembly
1	A	1151413-NLA	NLA - H - Block Kit - Right	1	1
2			Button, Plug (22mm)	1	1
3			H-Block, Front - Right	1	1
4			Screw (M6 x 1 x 35mm)	1	1
5			NLA - Locknut (M6 x 1)	1	1
1	A	1151414-NLA	NLA - H - Block Kit - Left	1	1
2			Button, Plug (22mm)	1	1
3			H-Block, Front - Left	1	1
4			Screw (M6 x 1 x 35mm)	1	1
5			NLA - Locknut (M6 x 1)	1	1
6	B	1130539	Kit, Sector Pin Hardware	1	1
7			Screw, Socket Button Head (1/4-20 x 2-1/2")	1	2
8			Pin, Sector	1	2
9			Bracket, Sector Block, Black	1	2

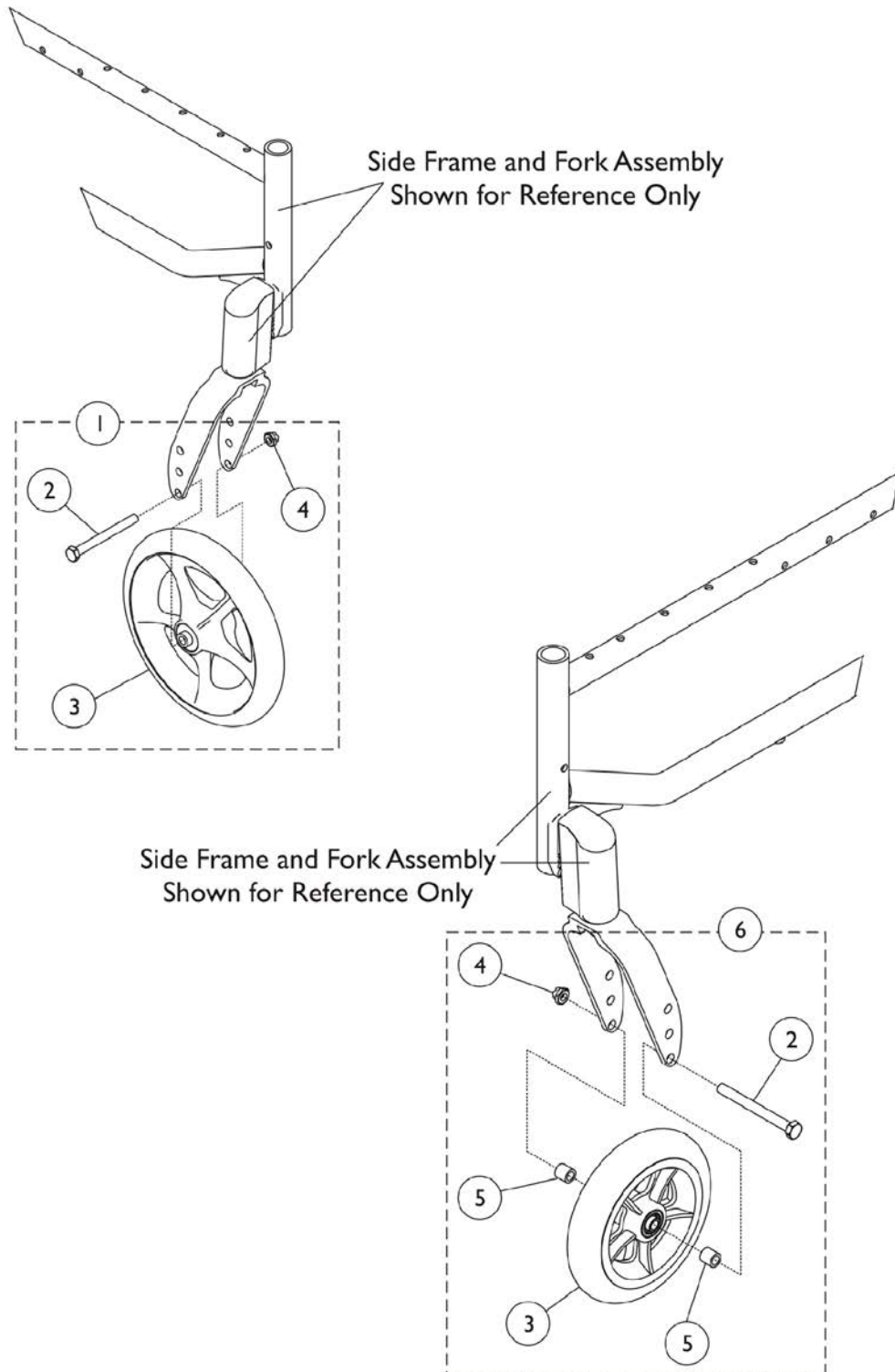
NOTE: A - Includes items 2-5. Side frames cannot be serviced.
 B - Kit includes items 7 thru 9. Sector pin hardware used for Legrests and Footrests.

Rear Wheels with Handrims



Wheel Style	Aluminum Handrims	Steel Black Plastic Coated Handrims
22SP - Pnuematic	1498434	1498435-NLA
22SP - Urethane	1498432-NLA	1498433-NLA
24SP - Pnuematic	1498423-NLA	1498424-NLA
24SP Urethane	1498263	1498422-NLA
24COM - Pnuematic	0572-05909	0572-05193-NLA
24COM - Urethane	0572-05908-NLA	1541972-NLA

Front Casters and Mounting Hardware

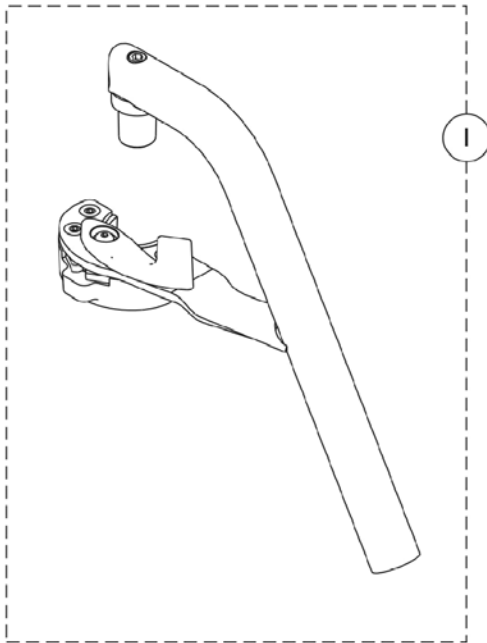


Front Casters and Mounting Hardware

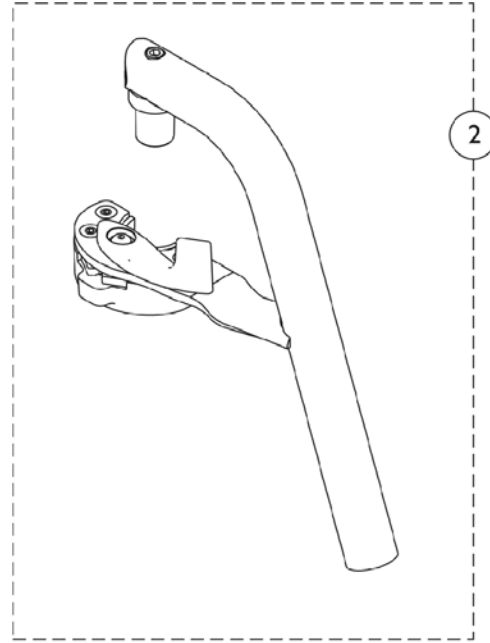
Item Number	Note	Part Number	Description	Quantity Per	
				Package	Assembly
1	A	1431351-NLA	NLA - Caster Assembly w/Hardware, Pneumatic (8 x 1)	1	1
2			NLA - Screw, Hex Head (M8 x 1.25 x 80mm)	1	1
3			Wheel, Pneumatic (8" x 1")	1	1
4			NLA - Locknut (M8 x 1.25)	1	1
1	A	1431352	Caster Assembly w/Hardware, Urethane (8 x 1)	1	1
2			NLA - Screw, Hex Head (M8 x 1.25 x 80mm)	1	1
3			Wheel, Urethane (8" x 1")	1	1
4			NLA - Locknut (M8 x 1.25)	1	1
1	A	1431353	Caster Assembly w/Hardware, Pneumatic (8 x 2)	1	1
2			NLA - Screw, Hex Head (M8 x 1.25 x 80mm)	1	1
3			Wheel, Pneumatic (8" x 2")	1	1
4			NLA - Locknut (M8 x 1.25)	1	1
1	A	1431759-NLA	NLA - Caster Assembly w/Hardware, Urethane (8 x 2)	1	1
2			NLA - Screw, Hex Head (M8 x 1.25 x 80mm)	1	1
3			Wheel, Urethane (8 x 2)	1	1
4			NLA - Locknut (M8 x 1.25)	1	1
1	B	1431761	NLA - Caster Assembly w/Hardware, Urethane (6 x 1)	1	1
2			NLA - Screw, Hex Head (M8 x 1.25 x 80mm)	1	1
3			Wheel Assembly (6" x 1.25")	1	1
4			NLA - Locknut (M8 x 1.25)	1	1
5			Washer (.250 x .562 x x .065/.036)	1	2
NOTE: A - Includes items 2-4. B - Includes 2-5.					

Footrest Support Assemblies

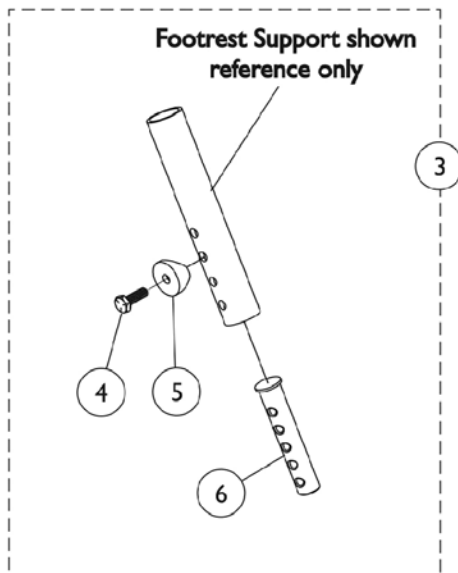
60° and 70°



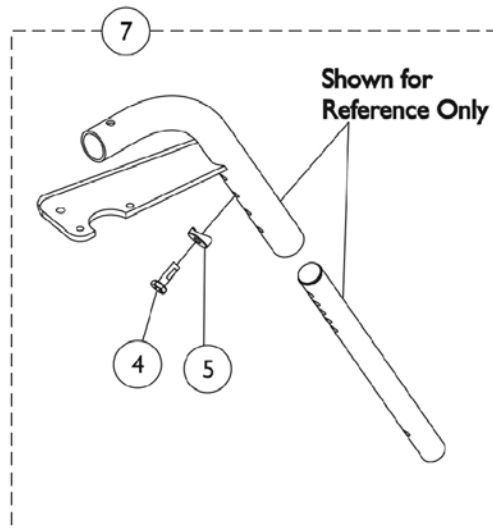
**60° Non-Tapered
Footrest Support Assembly**



**70° Non-Tapered
Footrest Support Assembly**



**Slide Tube Mounting
Hardware**



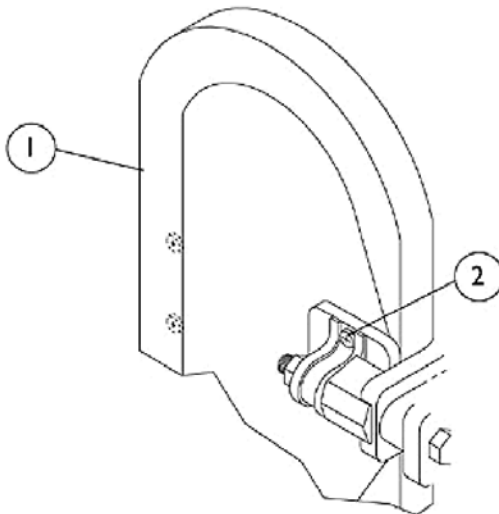
**Slide Tube Mounting
Hardware**

Footrest Support Assemblies 60° and 70°

Item Number	Note	Part Number	Description	Quantity Per	
				Package	Assembly
1		8881128078	Footrest Support Assembly, 60 Degree Non-Tapered, Sector, Color - Right	1	1
1		8881128079	Footrest Support Assembly, 60 Degree Non-Tapered, Sector, Color - Left	1	1
2		8881127737	Footrest Support Assembly, 70 Degree Non-Tapered, Sector, Color - Right	1	1
2		8881127738	Footrest Support Assembly, 70 Degree Non-Tapered, Sector, Color - Left	1	1
3	A	1026703	Kit, Pivot/Slide Tube Mounting Hardware (Pair)	1	1
4		1045267	Screw, Hex Head w/ Patch (1/4-20 x 3/4")	1	1
5		1026099	Spacer, Coved (1/4 x 11/16 x 1/2")	1	1
6	C	1020534	Insert, Threaded	1	1
7	B	1028004	Kit, Pivot Slide Tube Mounting Hardware (Pair)	1	1
4		1045267	Screw, Hex Head w/ Patch (1/4-20 x 3/4")	1	1
5		1026099	Spacer, Coved (1/4 x 11/16 x 1/2")	1	1
NOTE: A - Includes items 4-6. B - Includes items 4 and 5. C - As of 8/15/03, the Threaded Insert was revised from 3 to 5 Holes. Threaded Insert is Backward Compatible and does not require ordering in Pairs.					

Legrest Calf Pads

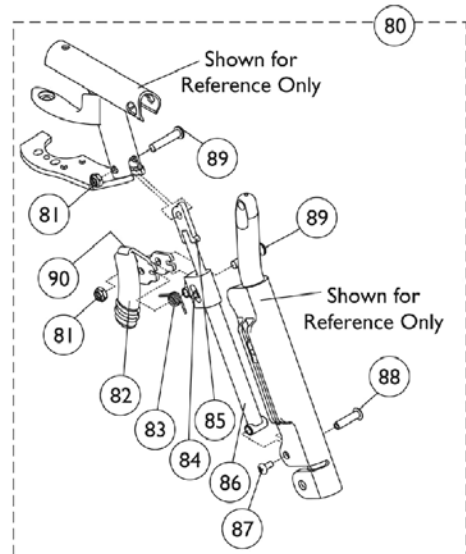
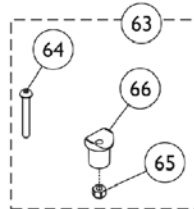
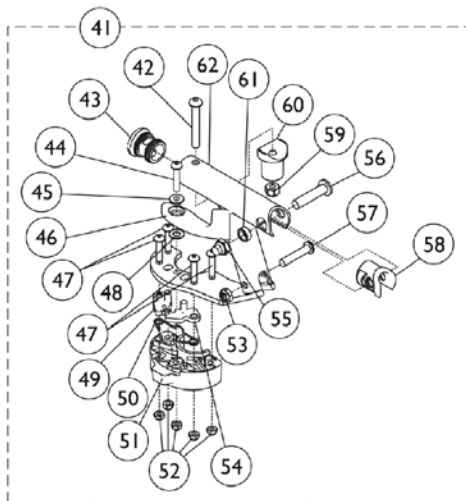
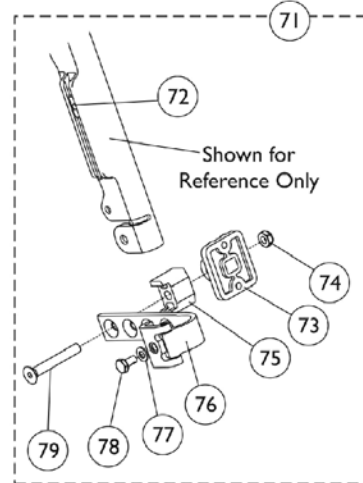
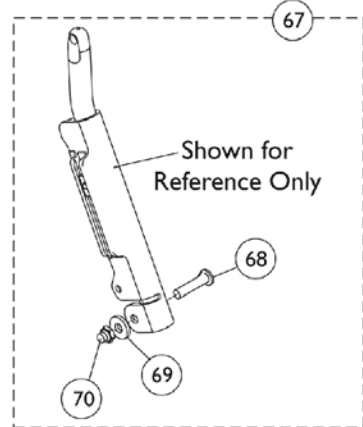
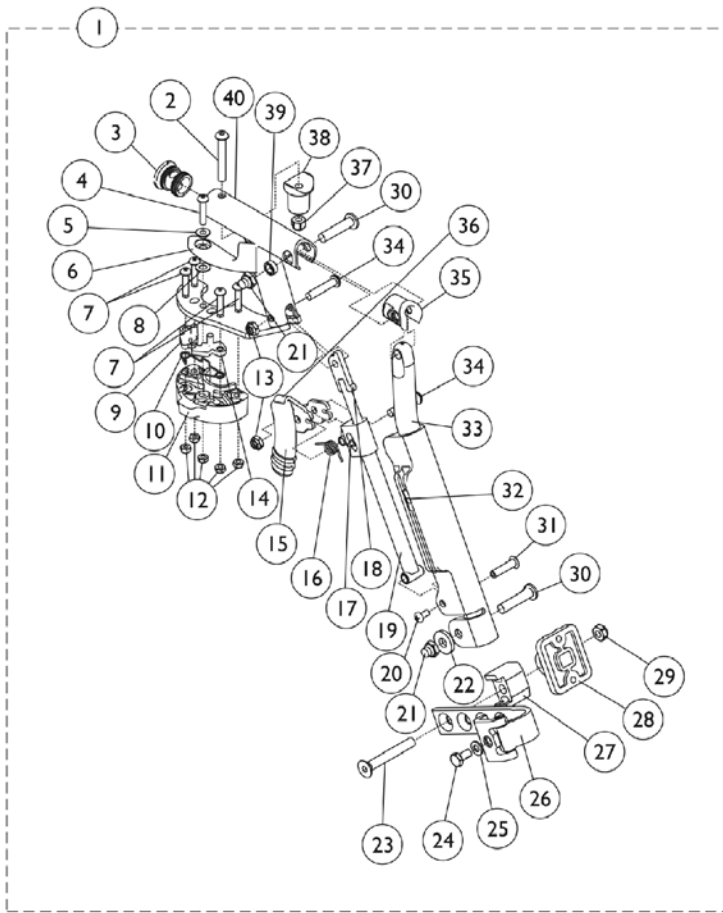
Due to a change to the Legrest Calf Pad size made on 4/23/12, you must also order the hardware kit (1068649) when ordering replacement Calf Pads.



Item Number	Note	Part Number	Description	Quantity Per	
				Package	Assembly
1	A,C	8881091764	Pad, Legrest, Vinyl - Right/Left	1	1
2	B	1068649	Hardware, Legrest Pad	1	1
			Screw, Phillips Pan Head (#10-32 x 11/16")	1	2
			Screw, Phillips Pan Head (#10-32 x 1")	1	2
			Instruction Sheet, Legrest Pad Mtg.	1	1
NOTE: A - Specify U67 upholstery color when ordering. B - Includes Screws and Instruction Sheet. C - Due to a change to the Legrest Calf Pad size made on 4/23/12, you must also order the hardware kit (1068649) when ordering replacement Calf Pads.					

Elevating Legrest Support Assemblies - ELRSS

NOTE: Legrest Support does not include Legrest Pad.



Elevating Legrest Support Assemblies - ELRSS

NOTE: Legrest Support does not include Legrest Pad.

Item Number	Note	Part Number	Description	Quantity Per	
				Package	Assembly
1	A	8881147640	Legrest Support Assembly, Sector, Color - Right	1	1
2			Screw, Socket Button Head (1/4-20 x 1-3/4")	1	1
3			NLA - Plug Button (1")	1	1
4			Screw, Socket Button Head Cap (M6 X .8 X 25mm)	1	1
5			Bushing, Handle	1	1
6			Handle, Release, Black - Right	1	1
7			Screw, Socket Button Head (M6 x .8 x 25mm)	1	4
8			Washer, Nylon (1/4 x 1/2 x 1/32")	1	1
9			Bracket, Swing, Female	1	1
10			Spring, Compression Swing	1	1
11			Block, Sector	1	1
12			Locknut (M5 x .8)	1	5
13			Locknut (1/4-28)	1	2
14			Bracket, Swing, Male	1	1
15			Cap, Brake Lever End, Black	1	1
16			Spring, Torsion	1	1
17			Pin, Roller	1	1
18			Rod, Pivot	1	1
19			Guide, Pivot Rod	1	1
20			NLA - Screw, Phillips Pan Head w/Patch (#10-24 x 3/8")	1	1
21			Nut, Low Cap (5/16"-24)	1	2
22			Washer, Flat (21/64 x 53/64 x 7/64")	1	1
23			Screw, Socket Flat Head (5/16-18 x 2-1/4")	1	1
24			Screw, Hex Head w/ Patch (1/4-20 x 1/2")	1	1
25			Washer (1/4 x 1/2 x 1/16")	1	1
26			Bracket Assembly, Adjustable Legrest Pad, Color	1	1
27			Spacer, Legrest Pad, Black	1	1
28			Plate, Legrest Pad	1	1
29			Locknut (5/16-18)	1	1
30			Bolt, Lug (5/16-24 x 1-3/8")	1	2
31			Rivnut (10-32 x 1")	1	1
32			T-Nut (1/4-20)	1	1
33			Tube, Elevating Support, Color - Right	1	1
34			NLA - Screw, Socket Button Head (1/4-28 x 1-1/4")	1	2
35			Plug, Insert (7/8")	1	1
36			Lever, Release - Right	1	1
37			Locknut (1/4-20)	1	1
38			Pivot, Footrest	1	1
39			Spacer (5/16 x 1/2 x 3/16")	1	1
40			Tube, Legrest Support, Sector, Color - Right	1	1
1	A	8881147641	Legrest Support Assembly, Sector, Color - Left	1	1
2			Screw, Socket Button Head (1/4-20 x 1-3/4")	1	1
3			NLA - Plug Button (1")	1	1

Elevating Legrest Support Assemblies - ELRSS

NOTE: Legrest Support does not include Legrest Pad.

Item Number	Note	Part Number	Description	Quantity Per	
				Package	Assembly
4			Screw, Socket Button Head Cap (M6 X .8 X 25mm)	1	1
5			Bushing, Handle	1	1
6			Handle, Release, Black - Left	1	1
7			Screw, Socket Button Head (M6 x .8 x 25mm)	1	4
8			Washer, Nylon (1/4 x 1/2 x 1/32")	1	1
9			Bracket, Swing, Female	1	1
10			Spring, Compression Swing	1	1
11			Block, Sector	1	1
12			Locknut (M5 x .8)	1	5
13			Locknut (1/4-28)	1	2
14			Bracket, Swing, Male	1	1
15			Cap, Brake Lever End, Black	1	1
16			Spring, Torsion	1	1
17			Pin, Roller	1	1
18			Rod, Pivot	1	1
19			Guide, Pivot Rod	1	1
20			NLA - Screw, Phillips Pan Head w/Patch (#10-24 x 3/8")	1	1
21			Nut, Low Cap (5/16"-24)	1	2
22			Washer, Flat (21/64 x 53/64 x 7/64")	1	1
23			Screw, Socket Flat Head (5/16-18 x 2-1/4")	1	1
24			Screw, Hex Head w/ Patch (1/4-20 x 1/2")	1	1
25			Washer (1/4 x 1/2 x 1/16")	1	1
26			Bracket Assembly, Adjustable Legrest Pad, Color	1	1
27			Spacer, Legrest Pad, Black	1	1
28			Plate, Legrest Pad	1	1
29			Locknut (5/16-18)	1	1
30			Bolt, Lug (5/16-24 x 1-3/8")	1	2
31			Rivnut (10-32 x 1")	1	1
32			T-Nut (1/4-20)	1	1
33			Tube, Elevating Support, Color - Left	1	1
34			NLA - Screw, Socket Button Head (1/4-28 x 1-1/4")	1	2
35			Plug, Insert (7/8")	1	1
36			Lever, Release - Left	1	1
37			Locknut (1/4-20)	1	1
38			Pivot, Footrest	1	1
39			Spacer (5/16 x 1/2 x 3/16")	1	1
40			Tube, Legrest Support, Sector, Color - Left	1	1
41	B	8881147724	NLA - Legrest Support Tube Assembly, Sector, Color - Right	1	1
42			Screw, Socket Button Head (1/4-20 x 1-3/4")	1	1
43			NLA - Plug Button (1")	1	1
44			Screw, Socket Button Head Cap (M6 X .8 X 25mm)	1	1
45			Bushing, Handle	1	1

Elevating Legrest Support Assemblies - ELRSS

NOTE: Legrest Support does not include Legrest Pad.

Item Number	Note	Part Number	Description	Quantity Per	
				Package	Assembly
46			Handle, Release, Black - Right	1	1
47			Screw, Socket Button Head (M6 x .8 x 25mm)	1	4
48			Washer, Nylon (1/4 x 1/2 x 1/32")	1	1
49			Bracket, Swing, Female	1	1
50			Spring, Compression Swing	1	1
51			Block, Sector	1	1
52			Locknut (M5 x .8)	1	5
53			Locknut (1/4-28)	1	1
54			Bracket, Swing, Male	1	1
55			Nut, Low Cap (5/16"-24)	1	1
56			Bolt, Lug (5/16-24 x 1-3/8")	1	1
57			NLA - Screw, Socket Button Head (1/4-28 x 1-1/4")	1	1
58			Plug, Insert (7/8")	1	1
59			Locknut (1/4-20)	1	1
60			Pivot, Footrest	1	1
61			Spacer (5/16 x 1/2 x 3/16")	1	1
62			Tube, Legrest Support, Sector, Color - Right	1	1
41	B	8881147725	NLA - Legrest Support Tube Assembly, Sector, Color - Left	1	1
42			Screw, Socket Button Head (1/4-20 x 1-3/4")	1	1
43			NLA - Plug Button (1")	1	1
44			Screw, Socket Button Head Cap (M6 X .8 X 25mm)	1	1
45			Bushing, Handle	1	1
46			Handle, Release, Black - Left	1	1
47			Screw, Socket Button Head (M6 x .8 x 25mm)	1	4
48			Washer, Nylon (1/4 x 1/2 x 1/32")	1	1
49			Bracket, Swing, Female	1	1
50			Spring, Compression Swing	1	1
51			Block, Sector	1	1
52			Locknut (M5 x .8)	1	5
53			Locknut (1/4-28)	1	1
54			Bracket, Swing, Male	1	1
55			Nut, Low Cap (5/16"-24)	1	1
56			Bolt, Lug (5/16-24 x 1-3/8")	1	1
57			NLA - Screw, Socket Button Head (1/4-28 x 1-1/4")	1	1
58			Plug, Insert (7/8")	1	1
59			Locknut (1/4-20)	1	1
60			Pivot, Footrest	1	1
61			Spacer (5/16 x 1/2 x 3/16")	1	1
62			Tube, Legrest Support, Sector, Color - Left	1	1
63	C	1151418	Legrest Kit, Pivot	1	1
64			Screw, Socket Button Head (1/4-20 x 1-3/4")	1	1
65			Locknut (1/4-20)	1	1
66			Pivot, Footrest	1	1

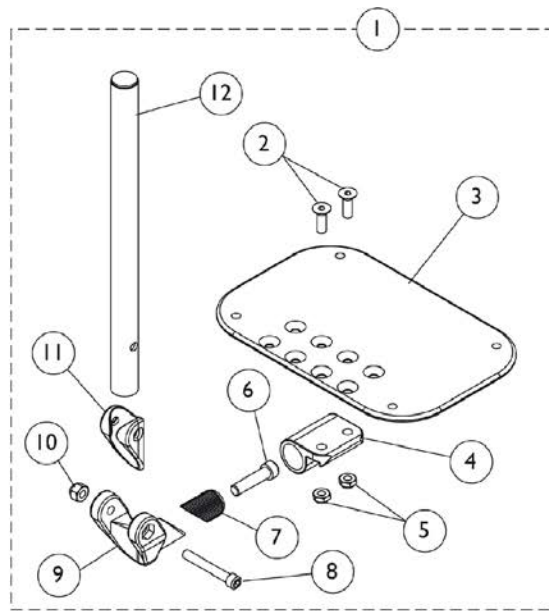
Elevating Legrest Support Assemblies - ELRSS

NOTE: Legrest Support does not include Legrest Pad.

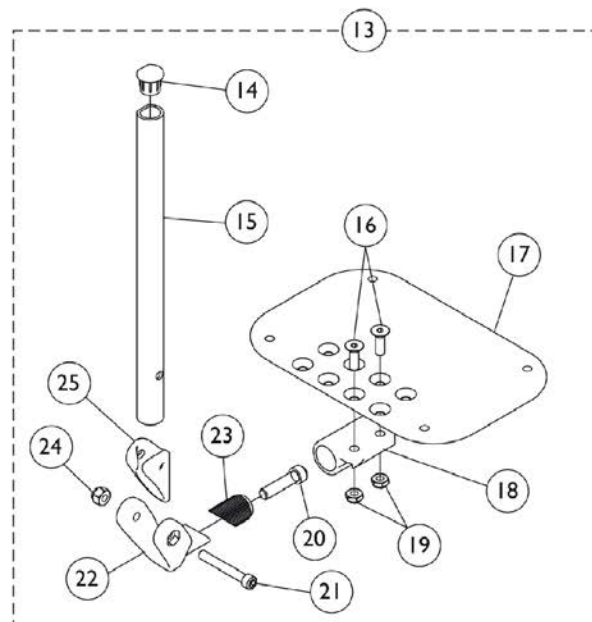
Item Number	Note	Part Number	Description	Quantity Per	
				Package	Assembly
67	D	1130753	Kit, Pivot Slide Tube Attaching Hardware	1	1
68			Screw, Lug (5/16-24 x 1-3/8")	1	1
69			Washer (11/32 x 53/64 x 1/8")	1	1
70			Locknut, Nylon Cap (5/16-24)	1	1
71	E	1130754	Kit, Legrest Pad Hardware	1	1
72			T-Nut (1/4-20)	1	1
73			Plate, Legrest Pad	1	1
74			Locknut (5/16-18)	1	1
75			Spacer, Legrest Pad, Black	1	1
76			Bracket Assembly, Adjustable Legrest Pad, Color	1	1
77			NLA - Washer, Steel (1/4 x 1/2 x 3/64")	1	1
78			Screw, Hex Head w/ Patch (1/4-20 x 1/2")	1	1
79			Screw, Socket Flat Head (5/16-18 x 2-1/4")	1	1
80			F	1147722	Kit, Pivot Rod - Right
81	Locknut (1/4-28)	1			2
82	Cap, Brake Lever End, Black	1			1
83	Spring, Torsion	1			1
84	Pin, Roller	1			1
85	Rod, Pivot	1			1
86	Guide, Pivot Rod	1			1
87	NLA - Screw, Phillips Pan Head w/Patch (#10-24 x 3/8")	1			1
88	Rivnut (10-32 x 1")	1			1
89	NLA - Screw, Socket Button Head (1/4-28 x 1-1/4")	1			2
90	Lever, Release - Right	1	1		
80	F	1147723	Kit, Pivot Rod - Left	1	1
81			Locknut (1/4-28)	1	2
82			Cap, Brake Lever End, Black	1	1
83			Spring, Torsion	1	1
84			Pin, Roller	1	1
85			Rod, Pivot	1	1
86			Guide, Pivot Rod	1	1
87			NLA - Screw, Phillips Pan Head w/Patch (#10-24 x 3/8")	1	1
88			Rivnut (10-32 x 1")	1	1
89			NLA - Screw, Socket Button Head (1/4-28 x 1-1/4")	1	2
90	Lever, Release - Left	1	1		

NOTE: A - Includes items 2-40. Specify frame color when ordering, see category titled, "Frame Finishes and Touch-Up Paint."
 B - Includes items 42-62. Specify frame color when ordering, see category titled, "Frame Finishes and Touch-Up Paint."
 C - Includes items 64-66.
 D - Includes items 68-70
 E - Includes items 72-79
 F - Includes items 81-91

Adjustable Angle Footplate Assemblies - AT5543



Used on 60° and 70° Footrests



Used on ELRSS Style Elevating Legrests

Adjustable Angle Footplate Assemblies - AT5543

Item Number	Note	Part Number	Description	Quantity Per	
				Package	Assembly
1	C	See Chart	#1 60° and 70° Non Tapered Footrests	1	1
2		1113578	Screw, Socket Flat Head (1/4-28 x 3/4")	1	2
3	F	1113572	Footplate, Adjustable Angle, Medium, Black (4-1/4" W x 8" L)	1	1
3	F	1113573	Footplate, Adjustable Angle, Large, Black (5-1/4" W x 8" L)	1	1
3	F	1113574	Footplate, Adjustable Angle, Extra Large, Black (6-1/4" W x 8" L)	1	1
3	F	1113575	Footplate, Adjustable Angle, XX- Large, Black (7-1/4" W x 8" L)	1	1
4		1113528	Bracket, Adjustable Angle Footplate, Black	1	1
5		1025765	Locknut (1/4-28)	1	2
6		1021344	Screw, Socket Head (5/16-18 x 1-1/2")	1	1
7		1113530	Attachment, Hinge	1	1
8		1096810	Screw, Socket Head (1/4-28 x 1-3/4")	1	1
9		1113529	Hinge, Adjustable Angle Footrest	1	1
10		1065362	Locknut (1/4-28)	1	1
11		1114688	Spacer, Hinge, Black	1	1
12	A	1114699	Tube, Pivot/Slide, Straight, Black (10-1/4")	1	1
12	B	1114700	Tube, Pivot/Slide, Straight, 2" Longer ALPT, Black (12-1/4")	1	1
13	D	See Chart	#13 ELRSS Style Elevating Legrests	1	1
14		1134427	Package, Plug Button, Black, "D" Shaped (3/4")	10	1
15	E	1134433	Pivot/Slide Tube w/ D Insert, Black	1	1
15	E	1134432	Pivot/Slide Tube w/ D Insert, Black (2" Longer)	1	1
16		1113578	Screw, Socket Flat Head (1/4-28 x 3/4")	1	2
17		1113573	Footplate, Adjustable Angle, Large, Black (5-1/4" W x 8" L)	1	1
17		1113574	Footplate, Adjustable Angle, Extra Large, Black (6-1/4" W x 8" L)	1	1
17		1113575	Footplate, Adjustable Angle, XX- Large, Black (7-1/4" W x 8" L)	1	1
18		1113528	Bracket, Adjustable Angle Footplate, Black	1	1
19		1025765	Locknut (1/4-28)	1	2
20		1021343	Screw, Socket Head (5/16-18 x 1-1/4")	1	1
21		1096810	Screw, Socket Head (1/4-28 x 1-3/4")	1	1
22		1113529	Hinge, Adjustable Angle Footrest	1	1
23		1113530	Attachment, Hinge	1	1
24		1065362	Locknut (1/4-28)	1	1
25		1114688	Spacer, Hinge, Black	1	1

NOTE: A - 60° and 70° Footrests
 B - ALPT 2" Longer
 C - Includes items 2-12
 D - Includes items 14-25
 E - ELRSS Elevating Legrest
 F - This footplate was revised 9/2/2008 with rounder corners and accessory holes changed from 8 to 4. Recommended to replace footplate in pairs to match sides.

Adjustable Angle Footplate Assemblies - AT5543

#1 Adjustable Angle Footplates w/ Pivot Tubes

60° and 70° Non Tapered Footrests

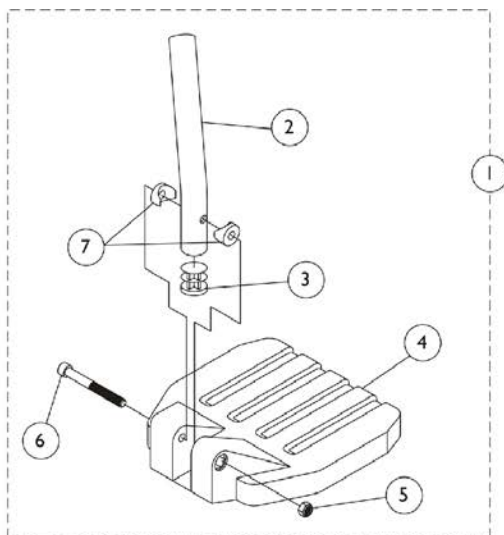
Straight Slide Tube (10-1/4")	Right	Left
16-17" Wide (6-1/4" Footplate)	1114644	1114645
18-22" Wide (7-1/4" Footplate)	1114646	1114647
ALPT Straight Slide Tube (12-1/4")	Right	Left
16-17" Wide (6-1/4" Footplate)	1114654	1114655
18-22" Wide (7-1/4" Footplate)	1114656	1114657

#13 Adjustable Angle Footplates w/ Pivot Tubes

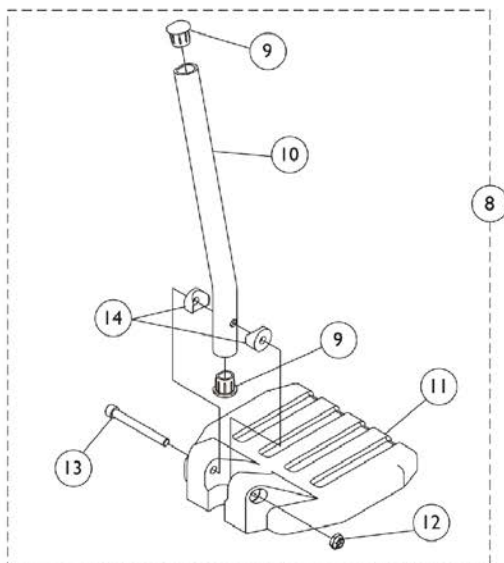
ELRSS Style Elevating Legrests

Straight Slide Tube (10-1/4")	Right	Left
16-17" Wide (6-1/4" Footplate)	1132063	1132064
18-22" Wide (7-1/4" Footplate)	1132065	1132066
ALPT Straight Slide Tube (12-1/4")	Right	Left
16-17" Wide (6-1/4" Footplate)	1132091	1132092
18-22" Wide (7-1/4" Footplate)	1132093	1132094

Footplate and Pivot Tube Assemblies - 1651 Composite



Used on 60° and 70° Footrests



Used on ELRSS Style Elevating Legrests

Footplate and Pivot Tube Assemblies - 1651 Composite

Item Number	Note	Part Number	Description	Quantity Per	
				Package	Assembly
1	D	See Chart	#1 60° Non-Tapered (13-19")	1	1
1	D	See Chart	#1 70° Non Tapered (14-19")	1	1
1	D	See Chart	#8 ELRSS Style Elevating Legrests	1	1
2	A	1120382	Tube, Pivot/Slide, Curved End, Black - Long (9-7/8")	1	1
2	A	1120391	Tube, Pivot/Slide, Curved End, 2" Longer ALPT, Black (11-7/8")	1	1
2	B	1120389	Tube, Pivot/Slide, Straight, Black - Long (9-7/8")	1	1
2	B	1120390	Tube, Pivot/Slide, Straight, 2" Longer ALPT, Black (11-7/8")	1	1
3		1134426	Package, Plug Button, Black (3/4")	10	1
4		1026880	Footplate, Composite, Medium, Black (7" W x 6" L)	1	1
4		1026881	Footplate, Composite, Large, Black (8" W x 6" L)	1	1
5		1025195	NLA - Locknut (1/4-20)	1	1
6		60285X006	Screw, Socket Head (1/4-20 x 2-1/4")	1	1
7		1025457	Spacer, Coved (1/4 x 3/4 x 11/32")	1	2
8	E	See Chart	#8 ELRSS Style Elevating Legrests	1	1
9		1134427	Package, Plug Button, Black, "D" Shaped (3/4")	10	1
10	C	1134428	Pivot/Slide Tube w/ D Insert, Black	1	1
10	C	1134429	Pivot/Slide Tube w/ D Insert, Black (2" Longer)	1	1
11		1026880	Footplate, Composite, Medium, Black (7" W x 6" L)	1	1
11		1026881	Footplate, Composite, Large, Black (8" W x 6" L)	1	1
12		1025195	NLA - Locknut (1/4-20)	1	1
13		60285X006	Screw, Socket Head (1/4-20 x 2-1/4")	1	1
14		1025457	Spacer, Coved (1/4 x 3/4 x 11/32")	1	2

NOTE: A - 60° Footrests
 B - 70° Footrests
 C - ELRSS Style Elevating Legrests
 D - Includes items 2-7
 E - Includes items 9-14

#1 60° Non Tapered Curved End

Right/Left	Medium Long 15-16" wide	Medium 2" Longer 15-16" wide	Large Long 17-22" wide	Large 2" Longer 17-22" wide
Right	1028387	1120418	1028383	1120420
Left	1028388	1120419	1028384	1120421

#1 70° Non Tapered Straight

Footplate and Pivot Tube Assemblies - 1651 Composite

#1 70° Non Tapered Straight

Right/Left	Medium Short 15-16" wide	Medium 2" Longer 15-16" wide	Large Short 17-22" wide	Large 2" Longer 17-22" wide
Right	1120406	1120412	1120408	1120414
Left	1120407	1120413	1120409	1120415

#8 ELRSS Style Elevating Legrests

Right/Left	Medium Long 15-16" wide	Medium 2" Longer 15-16" wide	Large Long 17-22" wide	Large 2" Longer 17-22" wide
Right	1132080	1132109	1132082	1132111
Left	1132081	1132110	1132083	1132112

Back Upholstery

Nylon Back Upholstery

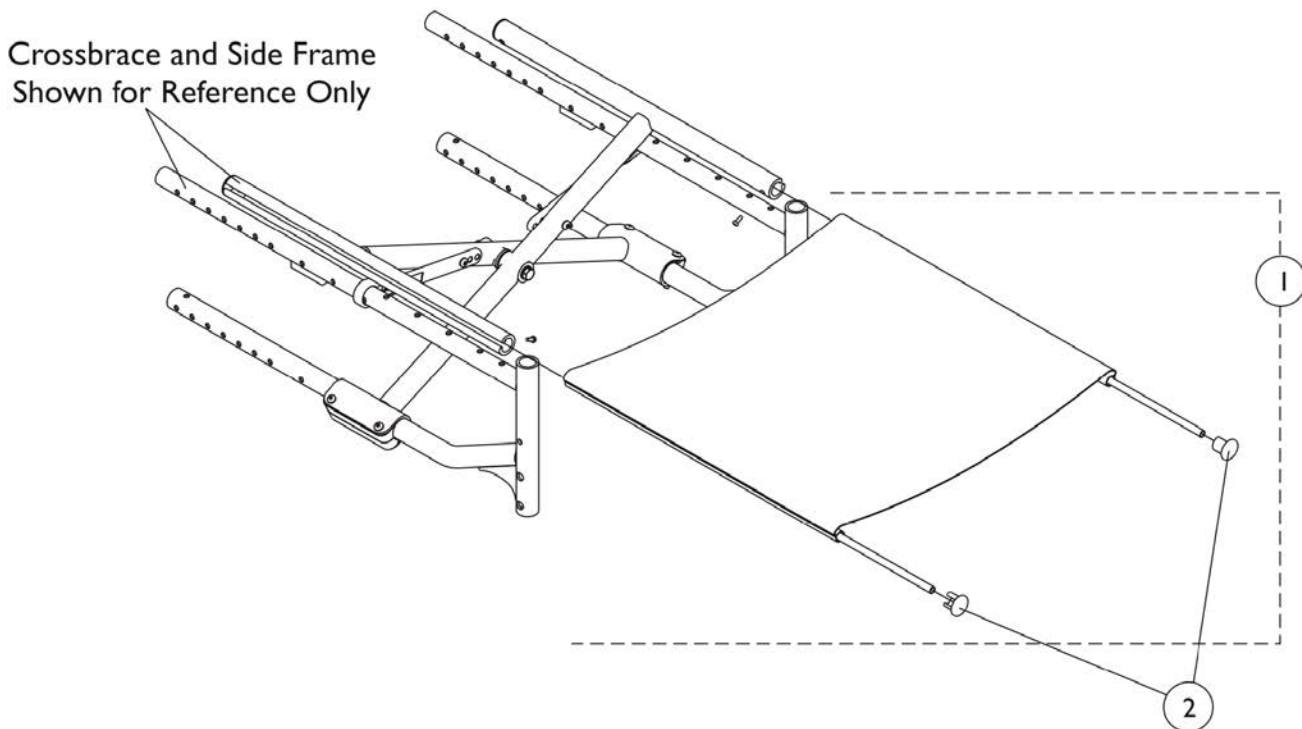
16" Wide	18" Wide	20" Wide
1147649-NLA	1147650-NLA	1147651-NLA

Adjustable Tension Back Upholstery

16" Wide	18" Wide	20" Wide
1147700-NLA	1147701-NLA	1147702-NLA

1026298
See Note(s) A
NOTE: A - Fixed Height Cane. Set of 2.

Upholstery - Seat



Upholstery - Seat

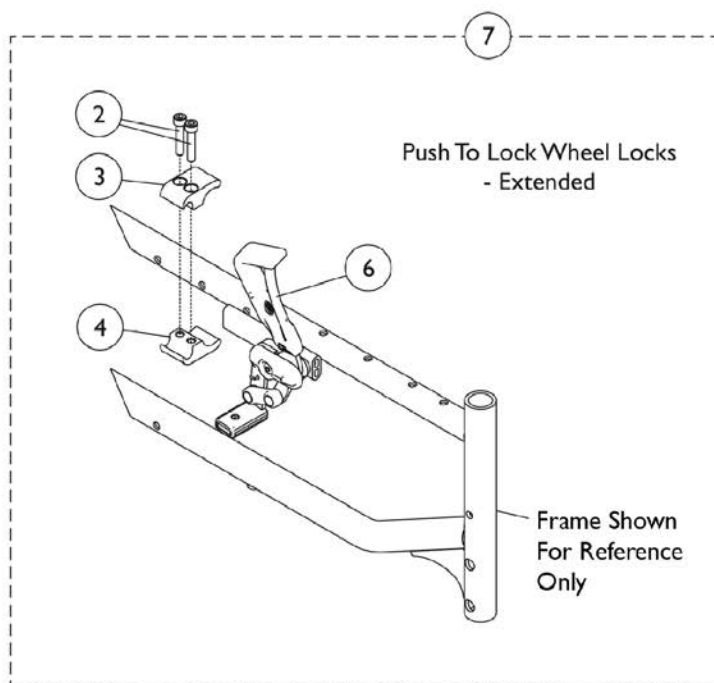
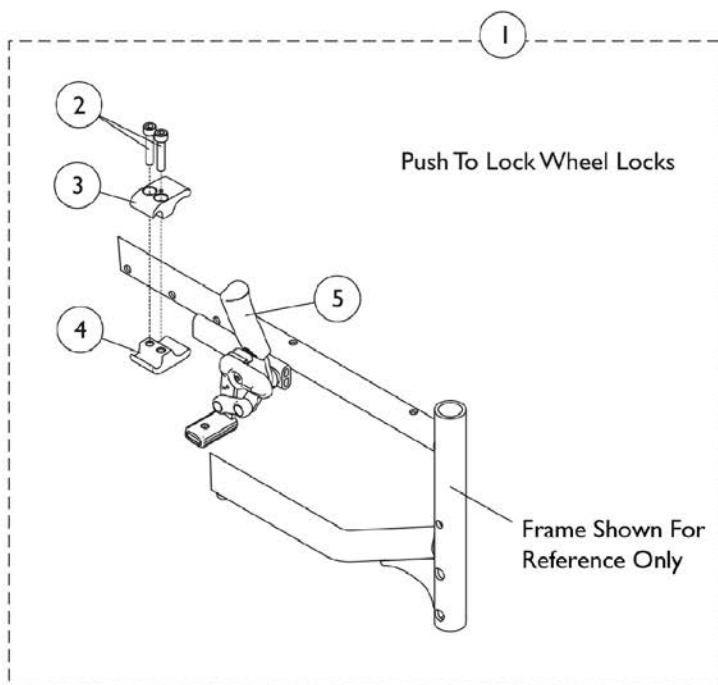
Mounting Seat Upholstery With Out Pad

Dimensions	Part Number
16 x 16" Deep	1147683
16 x 18" Deep	1147686
18 x 16" Deep	1147684
18 x 18" Deep	1147687
20 x 16" Deep	1147685
20 x 18" Deep	1147688
NLA - Plug Button	0572-04843-NLA

Mounting Seat Upholstery With Pad

Dimensions	Part Number
16 x 16" Deep	1147689
16 x 18" Deep	1147692
18 x 16" Deep	1147690
18 x 18" Deep	1147693-NLA
20 x 16" Deep	1147691
20 x 18" Deep	1147694
NLA - Plug Button	0572-04843-NLA

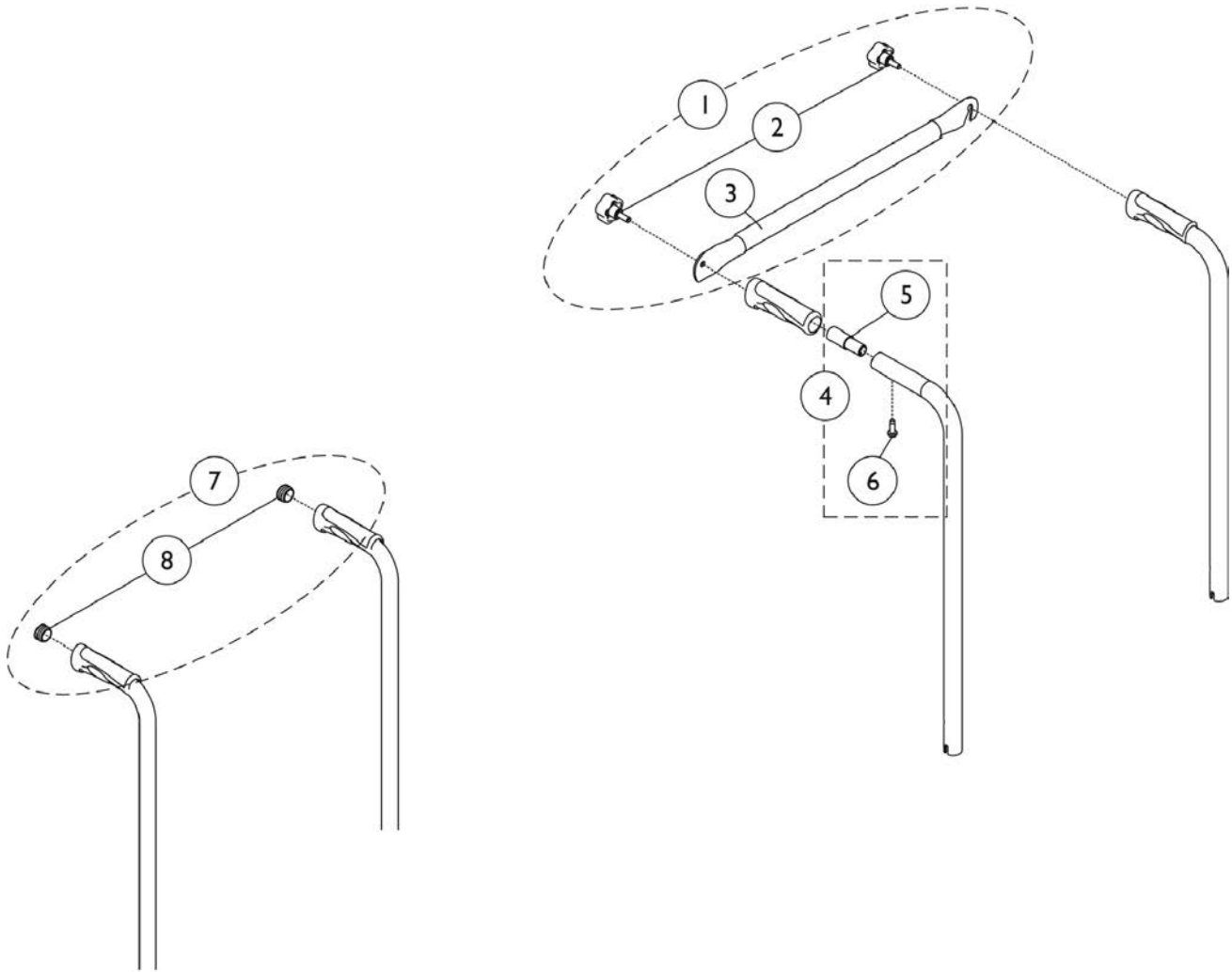
Wheel Locks - Push to Lock & Push to Lock Extended



Wheel Locks - Push to Lock & Push to Lock Extended

Item Number	Note	Part Number	Description	Quantity Per	
				Package	Assembly
1	A,B	1151695-NLA	NLA - Wheel Lock Assemblies, Push to Lock	1	1
2			NLA - Screw, Socket Head (M6 x 30mm)	1	4
3			NLA - Clamp, Wheel Lock, Non-Threaded (7/8")	1	2
4			NLA - Clamp, Wheel Lock (7/8" Metric Thread)	1	2
5			Wheel Lock Assembly, Push to Lock - Left	1	1
5			Wheel Lock Assembly, Push to Lock - Right	1	1
7	B,D	1151694-NLA	NLA - Wheel Lock Assemblies, Push to Lock, Extended	1	1
2			NLA - Screw, Socket Head (M6 x 30mm)	1	4
3			NLA - Clamp, Wheel Lock, Non-Threaded (7/8")	1	2
4			NLA - Clamp, Wheel Lock (7/8" Metric Thread)	1	2
6			Wheel Lock Assembly, Push to Lock, Extended - Left	1	1
6			Wheel Lock Assembly, Push to Lock, Extended - Right	1	1
	C,E	1151416-NLA	NLA - Handle Kit, Wheel Lock - Short	1	1
			Handle, Wheel Lock, Black - Short	1	1
			Screw, Socket Button Head (M4 X 0.7 X 15mm)	1	1
			Locknut (M4 X 0.7)	1	1
	C,F	1151417-NLA	NLA - Handle Kit, Wheel Lock - Long	1	1
			Handle, Wheel Lock - Long	1	1
			Screw, Socket Button Head (M4 X 0.7 X 15mm)	1	1
			Locknut (M4 X 0.7)	1	1
<p>NOTE: A - Kit includes items 2-5. B - Kit includes items 2, 3, 4 and 6. C - Not Shown. D - In order to assemble, the non-threaded clamp is above the seat rail or frame and the threaded is below the seat rail or frame. E - Replace with 1151695. F - Replace with 1151694.</p>					

Rigidizer Bar



Rigidizer Bar

Item Number	Note	Part Number	Description	Quantity Per	
				Package	Assembly
1	A	1428550	NLA - Bar, Rigidizer w/ Knobs (16" Wide)	1	1
2			Backbrace, Contour, Tension, Adjustable (16" W)	1	1
3			Knob (M6 x 16)	1	2
1	A	1428552	NLA - Bar, Rigidizer w/Knobs (18" Wide)	1	1
2			Backbrace, Contour, Tension, Adjustable (18" W)	1	1
3			Knob (M6 x 16)	1	2
1	A	1428554	NLA - Bar, Rigidizer w/Knobs (20" Wide)	1	1
2			Backbrace, Contour, Tension, Adjustable (20" W)	1	1
3			Knob (M6 x 16)	1	2
4	B	1430412	Insert, Rigidizer w/ Hardware	1	1
5			Insert, Rigidizer	1	1
6			Screw, Phillips Pan Head (M4.8 X 16mm)	1	1
7	C	1147652	Plug Button, Rear Cane	1	1
8			Button, Plug (22mm)	1	2
NOTE: A - Includes items 2 and 3. B - Includes items 5 and 6. C - Includes item 8.					

Accessories

Positioning Strap

Width	A1321	A1515
16" Wide	1147654	1147656
18" Wide	1147654	1147656
20" Wide	1147655	1147657

Rear Anti-Tippers

Description	Part Number
Tube Cap Step Assembly	1147676
Anti-Tipper Assembly, Rear (Pair)	1147653

Accessories

Part Number	Description	Package Quantity	Assembly Quantity
1032243	Calf Strap, 16", 18", 20" Wide Chairs (36" Long)	1	1
1032215	H-Strap, 16", 18" Wide Chairs	1	1
1032216	H-Strap, 20" Wide Chair	1	1
1026987 See Note(s) A	Impact Guard, 8" Long	1	2
1159758	Protector, Frame, Front, Blue	1	2
1159756	Protector, Frame, Back, Blue	1	1
1159384-NLA	Protector, Frame, Front, Silver	1	2
1159383-NLA	Protector, Frame, Back, Silver	1	1
1159759	Protector, Frame, Front, Red	1	2
1159757	Protector, Frame, Back, Red	1	1
1163422	Protector, Frame, Front, Black	1	2
1163421	Protector, Frame, Back, Black	1	1

NOTE: A - For 70 deg. Tapered Footrest.

Invacare Corporation

www.invacare.com



Yes, you can.

One Invacare Way
Elyria, Oh USA
44036-2125
800-333-6900

Technical Support
800-832-4707
Customer Service
800-333-6900

Literature Orders
800-333-6900

© 2022 Invacare Corporation, Elyria, Ohio.
All rights reserved. Trademarks are
identified by the symbols TM and ©. All
trademarks are owned by or licensed to
Invacare Corporation unless otherwise
noted. Information is subject to change
without notification.
(Revised 04/20/22)

Form No. 07-076