

Invacare® Top End® Force™ Handcycle

Price List and Order Form

Effective April 30, 2007 Revised January 1, 2010

For accuracy of ordering, please fax order to Top End at 727-522-1007 or e-mail to TopEndOrders@invacare.com

For questions call 800-532-8677 or 727-522-8677.

To order Literature: 800-828-6282

www.topendwheelchair.com



Provider Name _____ Date _____ Top End Job Number _____
 Account # _____ P.O. # _____ Phone # _____ Fax # _____
 Address _____ City _____ State _____ Zip Code _____
 Customer Name _____ Phone No _____
 Address _____ City _____ State _____ Zip Code _____
 Ship order to: Provider Customer Order will ship to Provider unless otherwise noted.

TOP END FORCE HANDCYCLE: Reclining Position

- FRC Top End Force Handcycle**.....\$4,295.00
- 1. **Seat Width:** 14" 15" 16" 17" 18" (For Diagram, see pg. 2)
- 2. **Wheel base:** 60" recommended for users taller than 5'6".
 60" (standard) 57"
- 3. **Customer Detail:** Height _____ Weight _____ Disability _____
- 4. **Component Choices:** (choose one)
 Shifter / Brake / Front Wheel Derailleur Packages
 Rapid-fire® Brake/Shifter with Shimano® XT Derailleur, KMC® Chain**Standard**
- XLT53** SRAM® Grip Shifter, Paul® Component Brake Lever and SRAM® X.O. Derailleur / SRAM Hollow Pin Chain 550.00¹
- XLT54** SRAM® Trigger Shifter, Paul® Component Brake Lever and SRAM® X.O. Derailleur / SRAM® Hollow Pin Chain .. 625.00²
- 5. **Mounting Position: Shifter / Brake Lever** (choose one)
 Right Handle**Standard**
 Left Handle No charge
- 6. **Brake Choices:** (Includes Brake and Parking Brake-choose one)
 Caliper-Cane Creek® SCR-3**Standard**
 XLT55 Caliper-Cane Creek® SL w/Titanium Hardware 150.00³
 XLT66 Disc Brake 300.00⁴
- 7. **Front Wheel Cassette Choice:** (choose one)
 Shimano® LX 11-34**Standard**
 XLT58 SRAM® 11-23 50.00⁵
 XLT59 SRAM® 11-26 50.00⁵
- 8. **Chain ring Choice:** (choose one) Operated by manual derailleur.
 48-40-28**Standard**
 XLT41 Chain ring Option 53-40 100.00
- 9. **Top End Cranks: V Crank** (choose length and width)
 Length: 165mm 170mm **175mm (std)** 180mm 185mm 190mm
 Width: 12" **14" (standard)** 15" 16"
Diagonal Crank Height Adjustment: 21 - 24" **Standard**
 XLT61 Vertical and Diagonal Crank Height Adjustment 150.00
 XLT56 Hand Pedals with Power Plates 50.00
- 10. **Performance Upgrades:**
 XLT60 SRM® Training System – Professional Road.. 3,500.00⁶
- 11. **Camber 9 degrees****Standard**

FOOTNOTES

- ¹ Grip shift is operated by rotating the grip mounted on either the right or left handle. Super light. Shifts quickly and accurately, Preferred by most Team Invacare/Top End members.
- ² Thumb and forefinger operated. Super light weight, high quality components. A great choice for those who want low weight and do not like the grip shift.
- ³ Ultra light weight brake calipers with titanium nuts and bolts.
- ⁴ Not available with carbon wheel upgrades
- ⁵ XLT 58 and 59 are cassettes with closer gear ratios. Not best for hilly terrain.
- ⁶ SRM® Power Meter is a state of the art measuring tool. It is like connecting a computer to your handcycle. Not available with a chainring less than 39. Visit SRM.de for more details. The Power Meter is integrated directly into the Top End cranks. Standard discount does not apply to XLT60 or to RACE options.

- XLT142** Camber 3 degrees 100.00

WHEELS (Threaded Axle Only)

- 26" High performance wheels with high pressure clincher tires: **Standard Performance Wheel Upgrade** (does not include standard wheels):
- XLT45** Zipp® 404 26" Carbon rim/ovalized spokes
 Clincher Tubular 3,250.00
 - XLT50** Zipp® Time Trial Package:
 Front Wheel: Zipp® 404 Rear Wheels: Zipp® Disc (tubular only) 3,750.00
 - XLT67** Corima® AERO 26" Carbon rim/ovalized spokes (tubular only) 3000.00
 - Tire Upgrade**
 - XLT51** Continental® Grand Prix 4000 (Clincher) 135.00
 - XLT52** Tufo® S3 tires 180g (tubular) 125.00

SAFETY & COMFORT OPTIONS

- Seat and Back Cushions **Standard**
- Chain Guard **Standard**
- Safety Flag **Standard**
- Tool and Tire Repair Kit 90.00
- Mirror, Leg Rest Mount 30.00
- Mirror, Handle Mount 35.00
- Water Bottle & Cage 35.00
- Backpack Hydration System 100.00
- Heart Rate Monitor 100.00
- Cordless computer 125.00
- Leg Guard Attachment 75.00
- Helmet 75.00
 Small (6 5/8" – 7") Medium (6 7/8" – 7 1/2") Large (7 1/4" – 7 5/8")
- XLT171** Extra Safety Flag 30.00
- XLT12** Front Safety Light 25.00
- XLT63** Rear Flashing Light 25.00
- XLT13** Alignment Gauge 75.00
- XLT28** Backpack Hydration System 100.00
- XLT141** Heart Rate Monitor 100.00
- XLT14** Cordless computer 125.00
- XLT9** Leg Guard Attachment 75.00
- XLT15** Helmet 75.00
- XLT16** Extra Safety Flag 30.00
- XLT6** Front Safety Light 25.00
- XLT7** Rear Flashing Light 25.00
- XLT 33** Alignment Gauge 75.00
- XLT20** Bike Rack for Trailer Hitch 450.00
 1 1/4" (Std.) 2"
- XLT40** Cable Kit 35.00
- XLT42** Indoor Training Roller 250.00
- TER126** Click Strap Large (pad length~12") 86.00
- TER125** Click Strap Med (pad length~10") 80.00
- TER124** Click Strap Small (pad length~8") 75.00
- RACE22** Top End T-Shirt L XL 10.00 **6**
- RACE4** Wheel Bag 180.00 **6**
- RACE20** Handcycle Travel Bag 300.00 **6**
- RACE13** Top End Bike Jersey L XL 70.00 **6**

FRAME COLOR AND UPHOLSTERY

- UPHOLSTERY** Black std UPHI Camouflage \$100.00

CONTEMPORARY COLORS

- Wet Black Black Prism White Snow
- Silver Metallic Silver Vein Copper Penny

WAY COOL COLORS

- Electric Blue Midnight Blue Cosmic Blue
- Electric Teal Emerald Green Grasshopper Green

TOO HOT COLORS

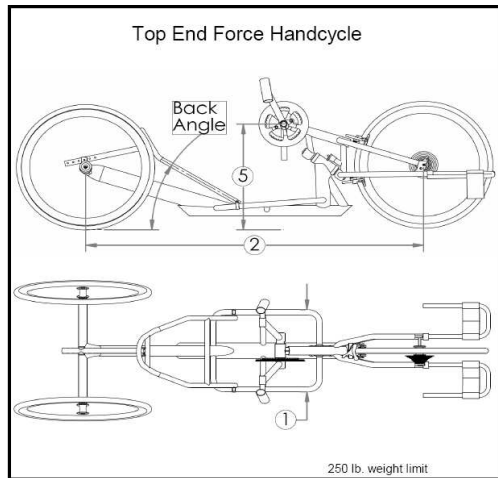
- Tangerine Red Electric Red Grape Madness
- Safety Yellow Sunkissed Orange Fruit Fusion

Special Instructions:

All prices subject to change w/o notice. All prices in U.S. Dollars. All orders F.O.B. Pinellas Park, Florida, USA

For the most current pricing information go to www.topendwheelchair.com.

Invacare® Top End® Force™ Handcycle



Hand pedals – Hand pedals are made of lightweight aluminum and are ovalized to precisely fit the hand. The bearings which allow the pedal to rotate while pedaling are located in the crank set and not in the pedal, which makes this pedal very comfortable. Power Plates consist of flat aluminum plates welded the lower end of the pedal. See drawing below.

Footrest – Multi-adjustable fore and aft w/straps to securely cradle calves and feet. Straps are 4" wide and feature safety straps for ankles.

Performance wheels – Spoked wheels with threaded axles and alloy rims. 14 gauge stainless steel spokes. 26" x 1" High Performance Clincher Tire/Tube 100psi

Carbon Wheel Upgrades – Threaded axle only

1. 26" Zipp® 404 Wheels w/Carbon/Graphite composite rim and stainless ovalized spokes.
2. 26" Zipp® Time Trial Package: Zipp® 404 Front Wheel, Zipp® Disc Rear Wheels. (Zipp® Disc wheels not legal for use in mass start races. Time trial only.)
3. 26" Corima AERO Wheels w/ Carbon/Graphite composite rim and stainless ovalized spokes. Tubular only.

Upholstery – Black nylon upholstery with 2" seat and back cushion standard. Seat restraint included.

Warranty – 3 year on frame and fork to original owner/limited parts warranty.

Assembly – Shipped completely assembled except for rear wheels. Shipping weight is 65 – 70 lbs.

Options – See front of form or call for details and photo

Tool bag includes 22 tools in 1, a unique 3 piece design plus tire patch kit, CO2 tire inflators; tire changing tools and zippered tool bag. Everything you need all in one handy pouch.

Frame – Ovalized 6061-T6 aluminum aircraft tubing with internal skeletal structure for increased stiffness.

Removable Fork – 6061-T6 aluminum, super stiff with adjustable crank housing.

Frame Design – Recumbent 3 piece centerline frame construction with welded seat and adjustable back angle.

Wheelbase – 60" Standard, 57" available (not recommended for users taller than 5'8"). Overall Length 86"

Turning Radius – 18 feet for 360° circle, 12 feet w/one backing maneuver.

Static Tip Angle - 39° for 250 lb subject.

Transfer Seat Height – 8" with 2" cushion.

Backrest – Adjustable fore and aft.

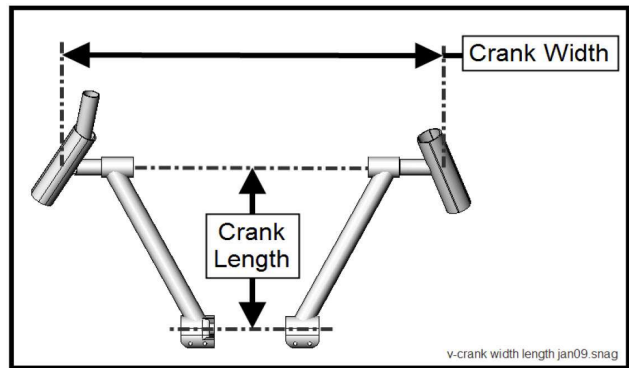
Back Angle – Adjustable angle back of 35° - 55°.

Propulsion System – Features a combination of Shimano and Top End components, 27 speeds, 48-40-28 chain rings and 11/34 cassette as standard. The 11/34 cassette is operated by the Hands-On Rapid Fire unit which is mounted on the right (standard) hand pedal. It operates both the 11/34 cassette and the hands-on brake. The manual derailleur operates the top chain rings utilizing a manual system which eliminates cables and their maintenance. A parking brake/second brake is mounted on the left side of frame.

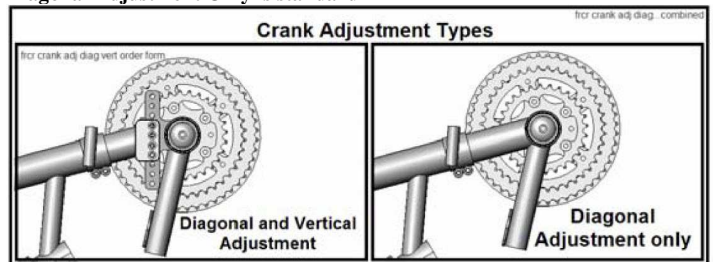
Crank set – Top End V crank set with integral pedal bearings are standard. To choose the width for the crank, consider the end user's shoulder width. The width is measured horizontally center to center to the point at the middle of the hand pedal. Length of crank set depends on the length of the arms. The length is measured perpendicular from the center of the crank to the center of the hand pedal spindle. Most people choose 190mm long and 20" wide. See diagrams right for measurement guidelines and crank adjustment.

Steering – Pivot steering and raked fork for controlled turning and stability.

Crank – Adjustable height



Diagonal Adjustment Only is standard



Invacare Corporation www.invacare.com

TOP END
Sports and Recreation
Products
4501 63rd Circle North
Pinellas Park, FL USA
33781-5914

All rights reserved. Trademarks are identified by the symbols ™ and ®. All trademarks are owned by or licensed to Invacare Corporation unless otherwise noted. Shimano and Rapid Fire are registered trademarks of Shimano Inc. Spinergy is a registered trademark for Spinergy Corp. Zipp is a registered trademark of Composites, Inc. Cane Creek is a registered trademark of Cane Creek Cycling Components. SRM is a registered trademark of SRM Service Center Inc. USA SRAM is a registered trademark of SRAM Corp. Corima is a registered trademark of Corima SA. Continental is a registered trademark of Continental Corp.
©2009 Invacare Corporation

