

Lynx L-3 & Lynx L-4



Yes, you can.

Parts Catalog Usage Guide

The information contained in this document is subject to change without notice. This catalog contains service parts for Form No. 06-109. If you have any questions regarding this catalog, please contact one of our Customer Service Representatives.

For Customer Service Support Call:

1-800-333-6900

For Faxed In Orders Call:

1-800-678-4682 or

1-440-366-0709

For Technical Service Call:

1-800-832-4707

Literature Can Be Found at:

www.invacare.com or

1-800-828-6272

SYMBOL DEFINITION

Throughout this catalog you will notice letters to draw your attention to specific footnotes which are located at the bottom of the page or below specified charts.

Examples:

A,B,C etc. = Special Comments

NOTE: = General information pertaining to that specific page

NLA = No Longer Available

HARDWARE MEASUREMENTS

The measurements for the hardware will be listed as follows:

Screws, Bolts Diameter X Thread Count/Pitch X Length

Washers Inside Diameter X Outside Diameter X Thickness

Spacers Inside Diameter X Outside Diameter X Length

For your convenience, we have supplied an area for you to list your Invacare Representatives.

Name	Phone Numbers

© 2022 Invacare Corporation. Elyria, Ohio. Invacare, the Medallion Design and Yes, you can. are registered trademarks and Lynx is a trademark of Invacare Corporation.

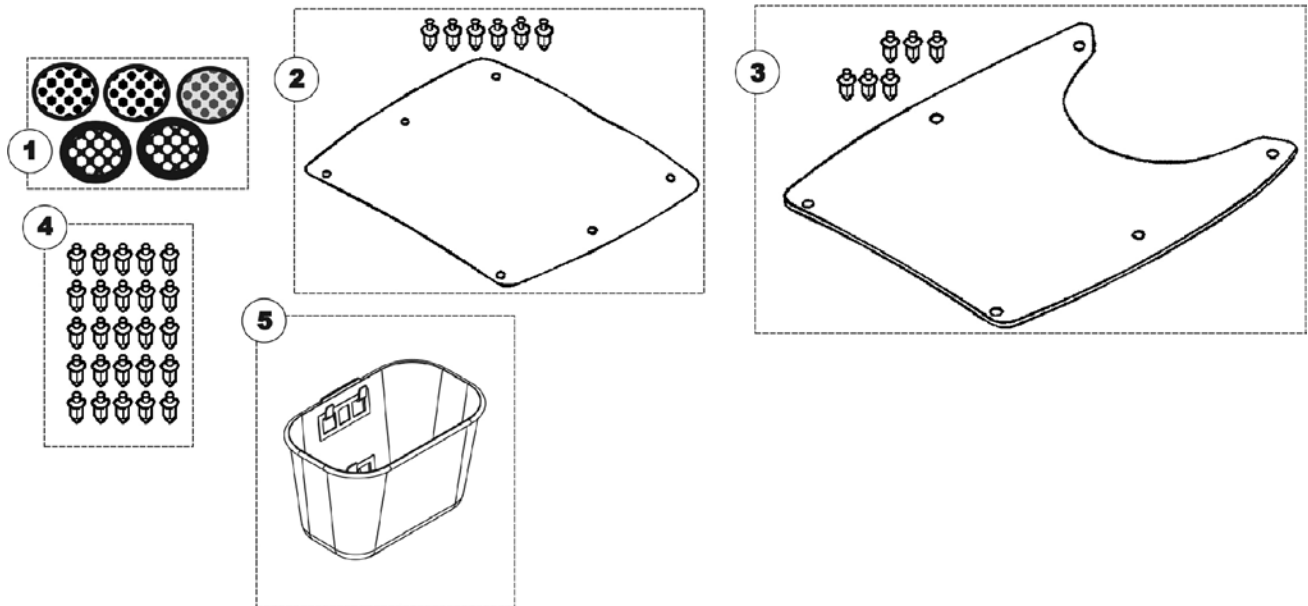
TABLE of CONTENTS

Description	Page Number
Accessory - Bracket	23
Battery Box, Charger, Controller & Harnesses	20
Floor Mats, Basket, Reflectors & Owner's Manual	4
Footplate & Battery Box Door	8
Lower Tiller Assembly & Front Wheels	15
Motor & Transaxle	14
Packaging & Touch-Up Paint	3
Seat, Seat Bracket & Arms (After 10/14/09)	11
Seat, Seat Bracket & Arms (Before 10/14/09)	9
Shrouds - Main & Rear	6
Tiller Maintenance	17
Wheels - Rear & Anti-Tippers	13

Packaging & Touch-Up Paint

Part Number	Kit Contains:
1148170-NLA	NLA - Packaging Kit Includes: (1 ea.) Carton, (1 ea.) Insert, (1 ea.) Foam Pad, and (2 ea.) Foam Block.
1149226-NLA See Note(s) A	Paint, Touch-Up, Blue
1169179-NLA See Note(s) B	Paint, Touch-Up, Onyx Blue
1149227-NLA	Paint, Touch-Up, Red
NOTE: A - To be used on scooters built before serial number 10BCT600001(L-3) and 10BCT600249 (L-4). B - To be used on scooters built after serial number 10BCT600000 (L-3) and 10BCT600248 (L-4).	

Floor Mats, Basket, Reflectors & Owner's Manual



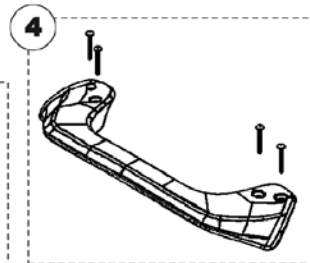
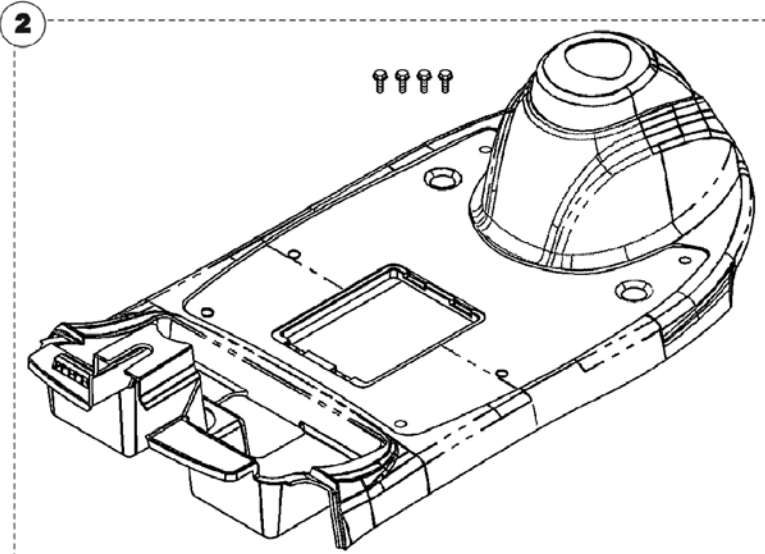
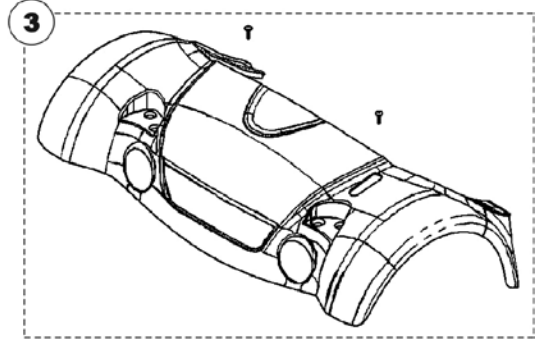
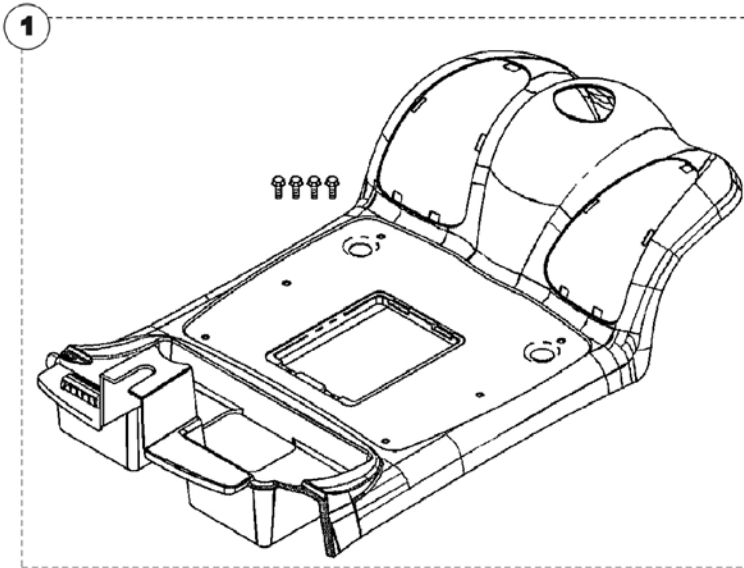
Floor Mats, Basket, Reflectors & Owner's Manual

Item Number	Note	Part Number	Description	Quantity Per	
				Package	Assembly
1		1144825	Kit, Reflectors Includes: (2) ea. Yellow Reflectors, (2) ea. Red Reflectors, and (1) ea. Orange Reflector	1	1
2		1144827	Kit, Floor Mat (L4) Includes: (1) ea. Rubber Pad and (6) ea. Push Rivets	1	1
3		1144815	Kit, Floor Mat w/ Hardware (L3) Includes: (1) ea. Rubber Pad and (6) ea. Push Rivets	1	1
4		1144816	Package, Push Rivet	25	1
5		1144838	Basket, Lynx L3 & L4	1	1
	A	1143205	Owner's Manual (Lynx L-3 & L-4)	1	1

NOTE: A - Not Shown

Main & Rear Shrouds

Starting with Serial Number 10BCT600000 (L-3) and 10BCT600248 (L-4), the shade of Blue used on the Shrouds changed from Blue to Onyx Blue. Customers may have to replace all Shrouds with the Onyx Blue Shrouds if color consistency is important.



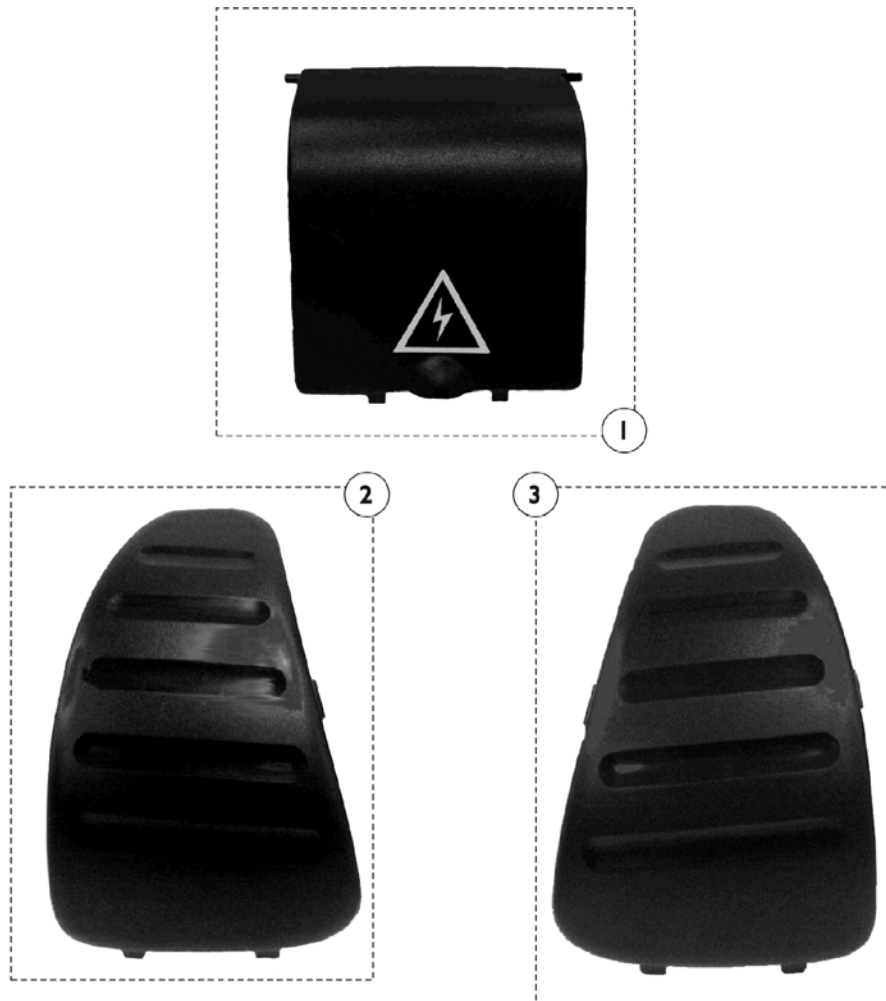
Main & Rear Shrouds

Starting with Serial Number 10BCT600000 (L-3) and 10BCT600248 (L-4), the shade of Blue used on the Shrouds changed from Blue to Onyx Blue. Customers may have to replace all Shrouds with the Onyx Blue Shrouds if color consistency is important.

Item Number	Note	Part Number	Description	Quantity Per	
				Package	Assembly
1		1144828	Shroud, Main w/ Hardware, Red (L-4)	1	1
1	A	1144829	Shroud, Main w/ Hardware, Blue (L-4)	1	1
1	B	1169664	Shroud, Main w/ Hardware, Onyx Blue (L-4)	1	1
2		1144818	Shroud, Main w/ Hardware, Red (L-3)	1	1
2	A	1144819-NLA	NLA - Shroud, Main w/ Hardware, Blue (L-3)	1	1
2	B	1169662	Shroud, Main w/ Hardware, Onyx Blue (L-3)	1	1
3		1144830	Shroud, Rear w/ Hardware, Red (L-4)	1	1
3	A	1144831-NLA	NLA - Shroud, Rear w/ Hardware, Blue (L-4)	1	1
3	B	1169665	Shroud, Rear w/ Hardware, Onyx Blue (L-4)	1	1
3		1144820	Shroud, Rear w/ Hardware, Red (L-3)	1	1
3	A	1144821	Shroud, Rear w/ Hardware, Blue (L-3)	1	1
3	B	1169663-NLA	NLA - Shroud, Rear w/ Hardware, Onyx Blue (L-3)	1	1
4		1144817-NLA	NLA - Handle, Rear w/ Hardware	1	1

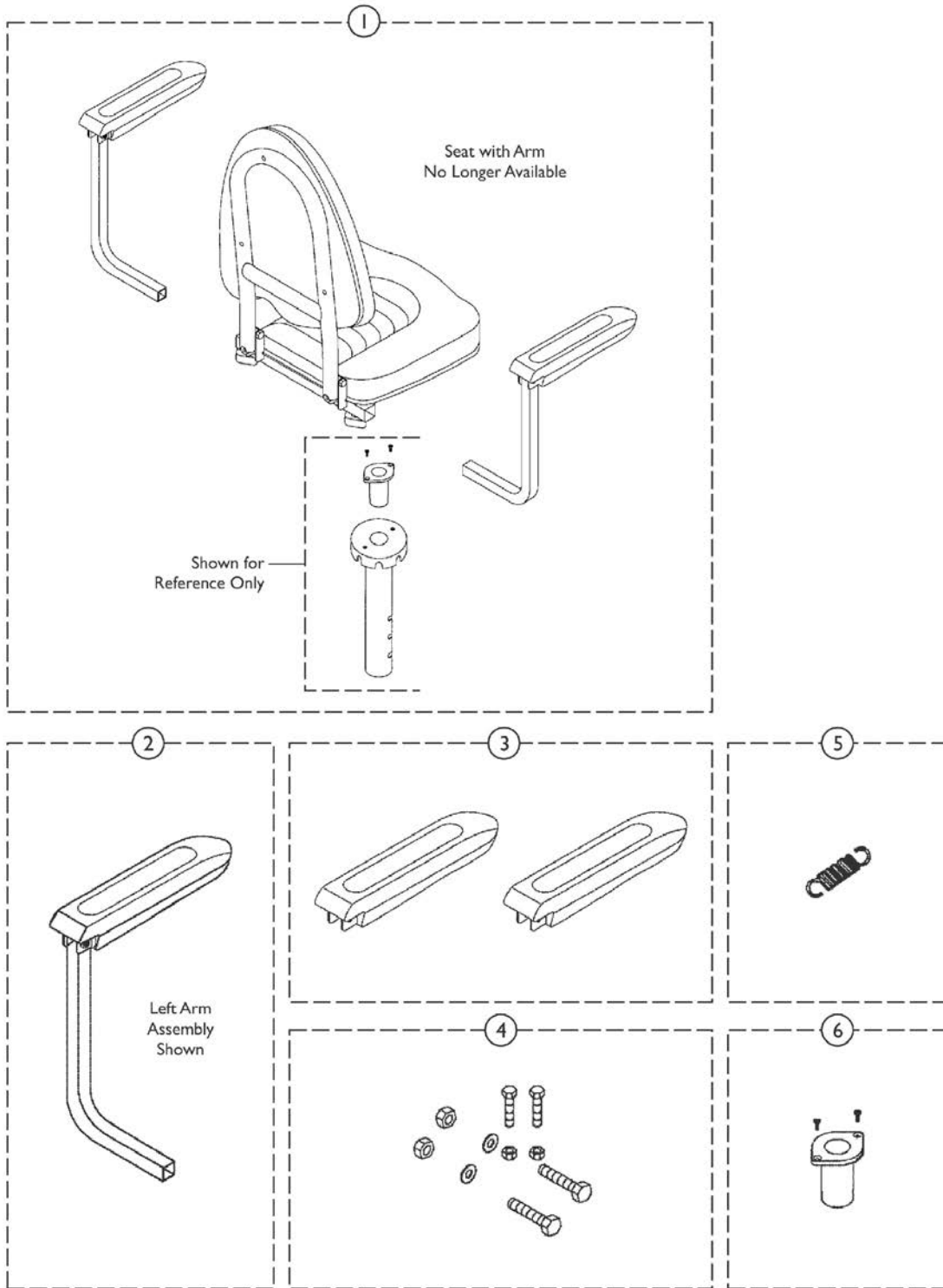
NOTE: A - To be used on scooters built before serial number 10BCT600001(L-3) and 10BCT600249 (L-4).
 B - To be used on scooters built after serial number 10BCT600000 (L-3) and 10BCT600248 (L-4).

Footplate & Battery Box Door



Item Number	Note	Part Number	Description	Quantity Per	
				Package	Assembly
1		1146449-NLA	NLA - Door, Battery Box	1	1
2		1146447	Pad, Foot, Black Plastic - Left	1	1
3		1146448	Pad, Foot, Black Plastic - Right	1	1

Seat, Seat Bracket & Arms (Before 10/14/09)



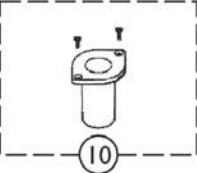
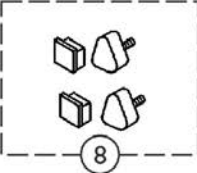
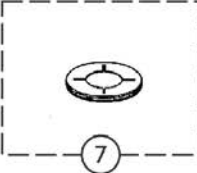
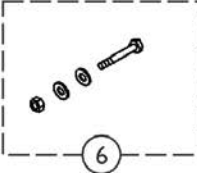
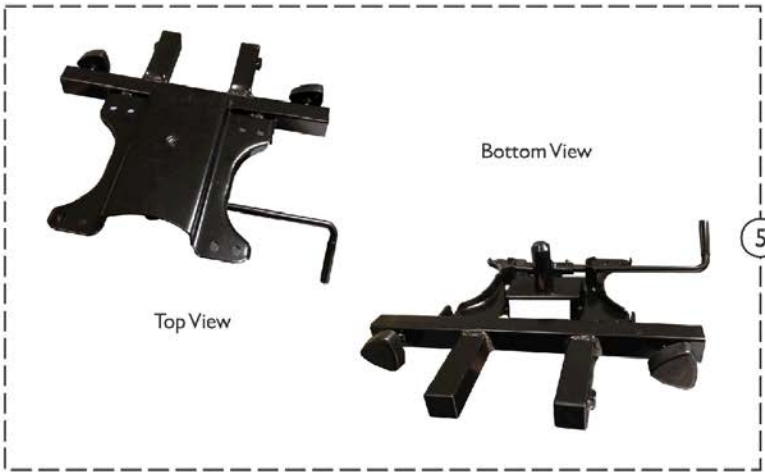
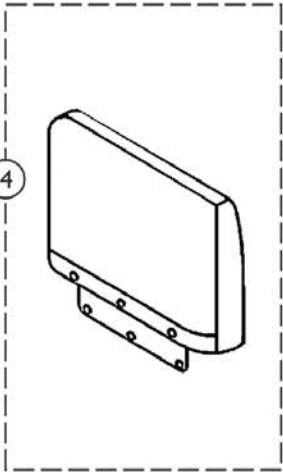
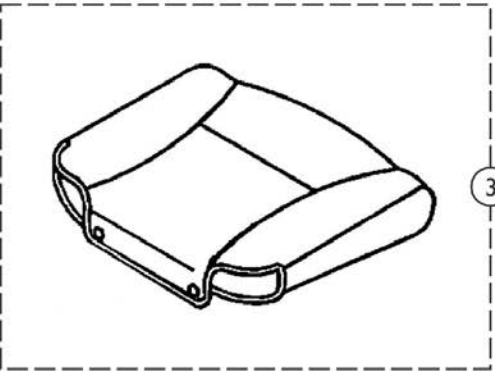
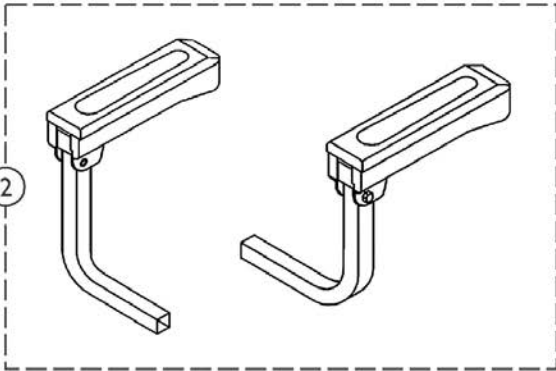
Seat, Seat Bracket & Arms (Before 10/14/09)

Item Number	Note	Part Number	Description	Quantity Per	
				Package	Assembly
1	A	1146610-NLA	NLA - Seat and Arm Assembly	1	1
2		1144809	Arm Assembly w/ Arm Pad and Hardware, Black - Right	1	1
2		1144810	Arm Assembly w/ Arm Pad and Hardware, Black - Left	1	1
3		1144813	Package, Arm Pad	2	1
4		1144814	Kit, Arm Pad Includes: (2) ea. Bolts, (2) ea. Plain Washers, (2) ea. Nylon Nuts, (2) ea. Bolts, (2) ea. Nuts, and Decals, Warnings, & Logos	1	1
5		1144812	Spring, Seat Lever	1	1
6		1144811	Kit, Seat Guide Bracket Includes: (1) ea. Seat Guide Bracket, and (2) ea. Bolts	1	1

NOTE: A - No longer available. See part number 1164322 in Category "Seat and Arms (After 10/14/09) for replacement.

Seat, Seat Bracket & Arms

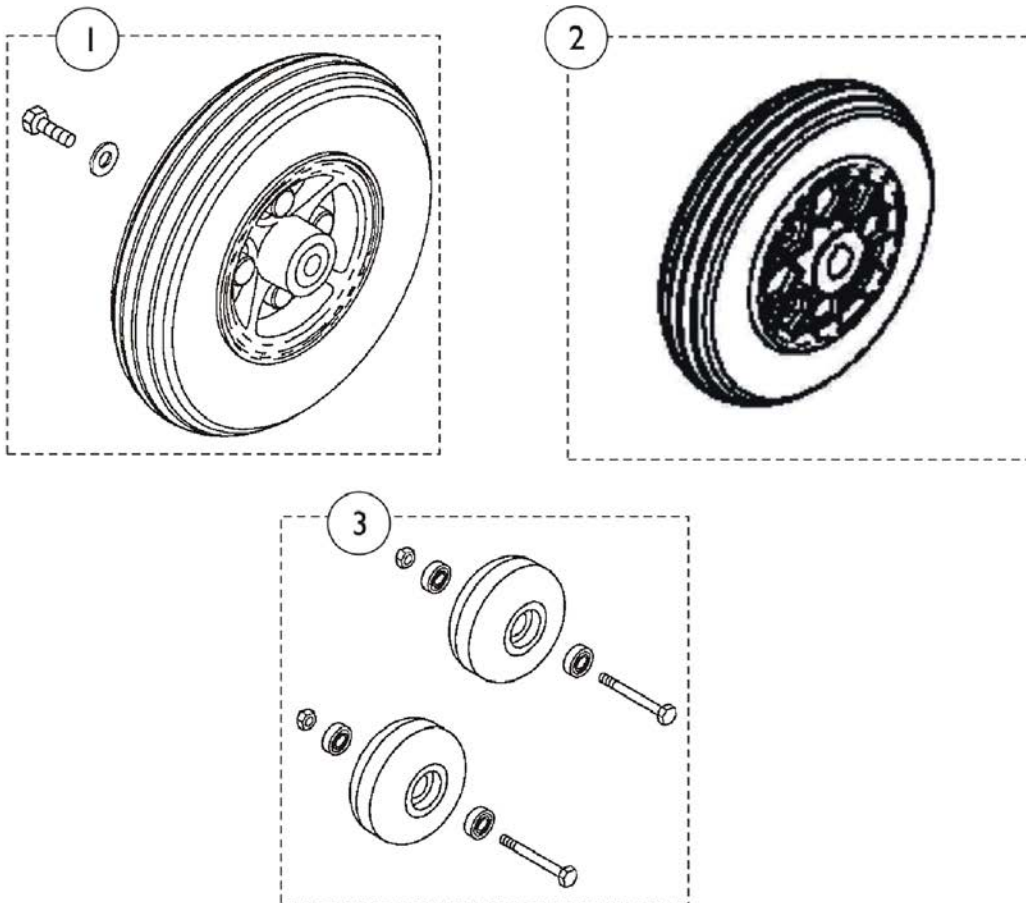
(After 10/14/09)



Seat, Seat Bracket & Arms (After 10/14/09)

Item Number	Note	Part Number	Description	Quantity Per	
				Package	Assembly
1	A	1146610-NLA	NLA - Seat and Arm Assembly	1	1
1	B	1164322	Seat and Arm Assembly	1	1
2		1144809	Arm Assembly w/ Arm Pad and Hardware, Black - Right	1	1
2		1144810	Arm Assembly w/ Arm Pad and Hardware, Black - Left	1	1
3		1168466	Cover, Seat	1	1
4		1168465	Cover, Backrest	1	1
5		1148846-NLA	NLA - Seat Bracket Assembly	1	1
5		1169832	Seat Bracket Assembly	1	1
6		1148850-NLA	NLA - Hardware, Seat Post Includes: (1) ea. Nylon Nut, (1) ea. Bolt, & (2) ea. Washers.	1	1
7		1148852	Liner, Shroud/Guide Seat	1	1
8		1148849-NLA	NLA - Kit, Plugs and Knobs Includes: (2) ea. Screws & (2) ea. Plugs.	1	1
9		1144812	Spring, Seat Lever	1	1
10		1144811	Kit, Seat Guide Bracket Includes: (1) ea. Seat Guide Bracket, and (2) ea. Bolts	1	1
NOTE: A - No longer available. See Part Number 1164322 for replacement. B - Includes Items 2, 3, 4, and 5.					

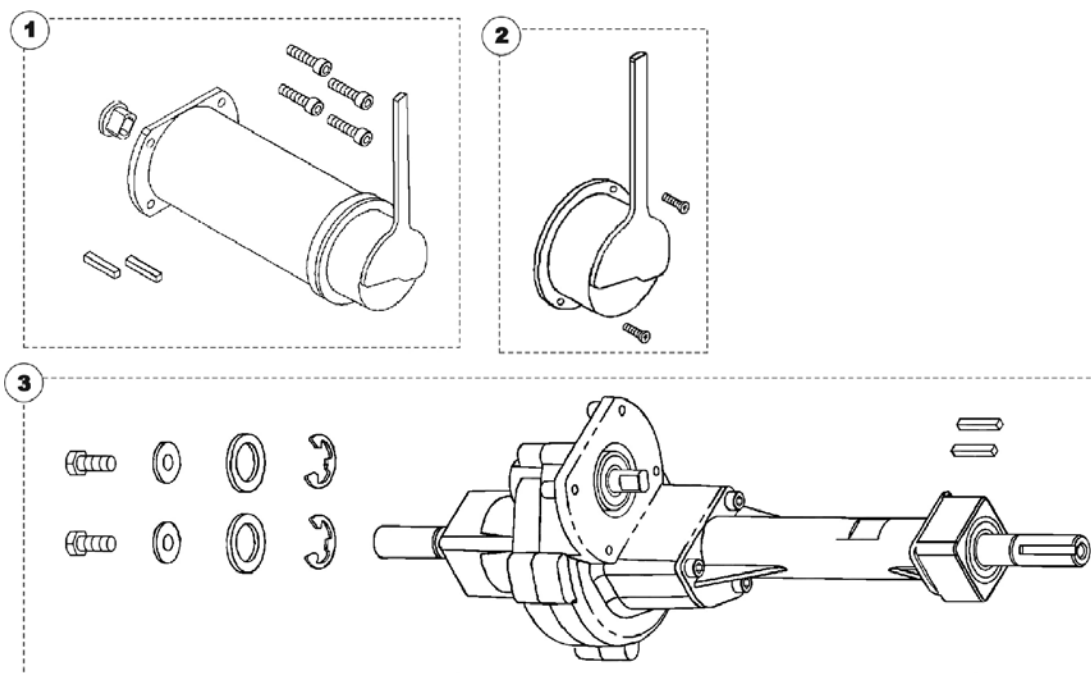
Rear Wheels & Anti-Tippers



Item Number	Note	Part Number	Description	Quantity Per	
				Package	Assembly
1	A	1144834-NLA	NLA - Wheel Assembly - Rear (L-4) (Single)	1	2
2		1144823	Wheel - Rear (L-3)	1	2
3		1144824	Kit, Anti-Tip Wheels Includes: (2) ea. Nylon Nut, (4) ea. Bearings, (2) ea. Bolts, and (2) ea. Anti-Tip Wheels	1	1

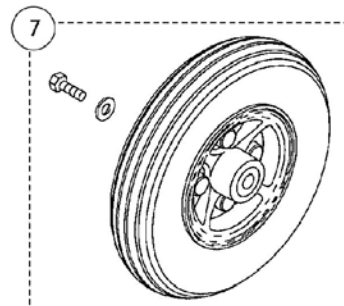
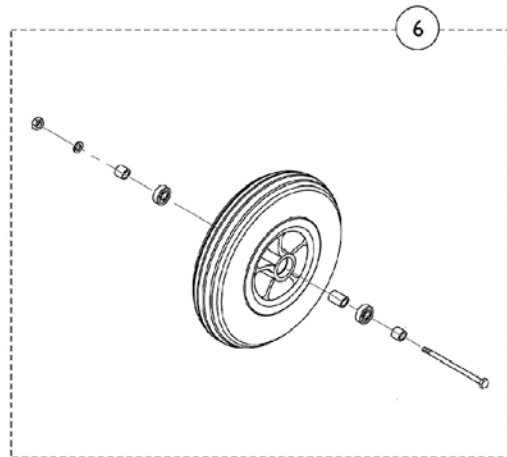
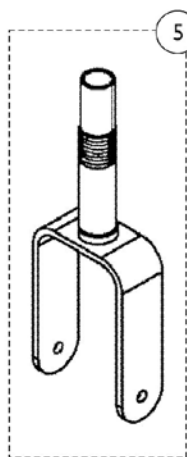
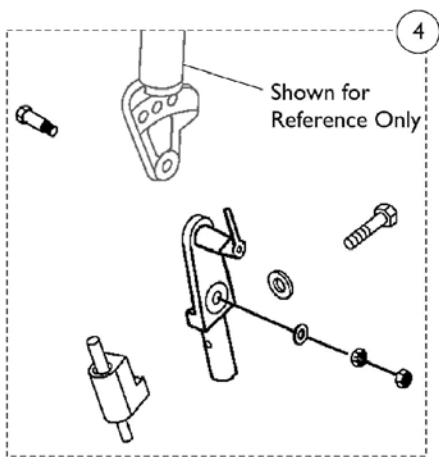
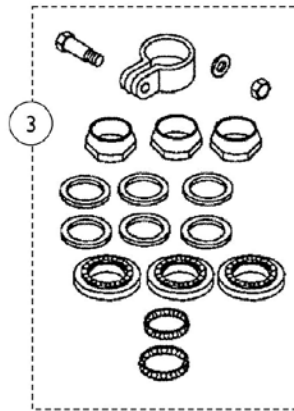
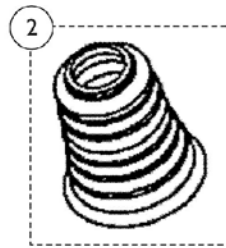
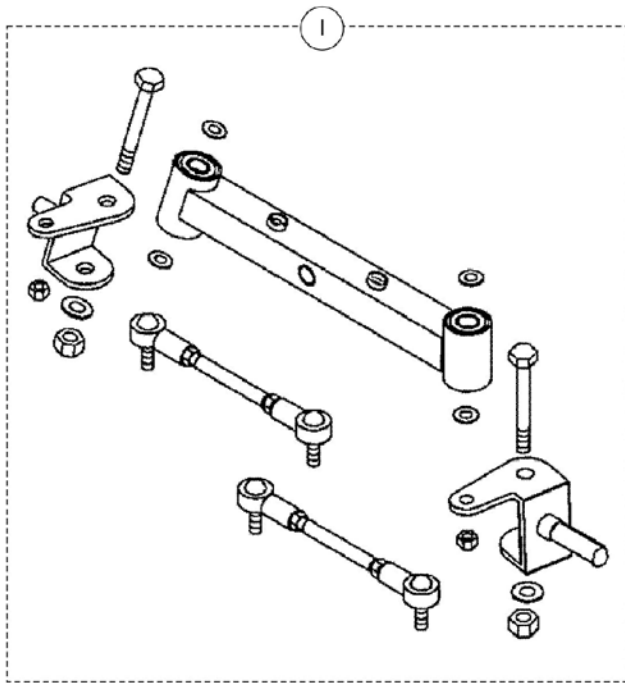
NOTE: A - No Longer Available. Order item #2 as a replacement

Motor & Transaxle



Item Number	Note	Part Number	Description	Quantity Per	
				Package	Assembly
1		1144788-NLA	NLA - Kit, Motor & Brake Includes: (1) ea. Motor, (1) ea. Guide, (4) ea. Bolts, and (2) ea. Keys	1	1
2		1144789	Kit, Brake Includes: (1) ea. Brake and (2) ea. Screws	1	1
3	A,A1	1144787	Kit, Transaxle Includes: (1) ea. Differential, 2 ea. Keys, 2 ea. E Rings, 2 ea. Plain Washers, 2 ea. Bolts (M8 x 20L), & 2 ea. Flat Washer	1	1
<p>NOTE: A - For all manufacture dates, an additional bracket is required when replacing the Transaxle. This bracket can only be ordered thru TAG. NOTE: TAG no longer sells the Bracket. A1 - The Bracket from TAG must be on the Scooter for the Transaxle to fit properly. Order a Transaxle replacement for only Scooters equipped with a previously purchased Bracket from TAG.</p>					

Lower Tiller Assembly & Front Wheels

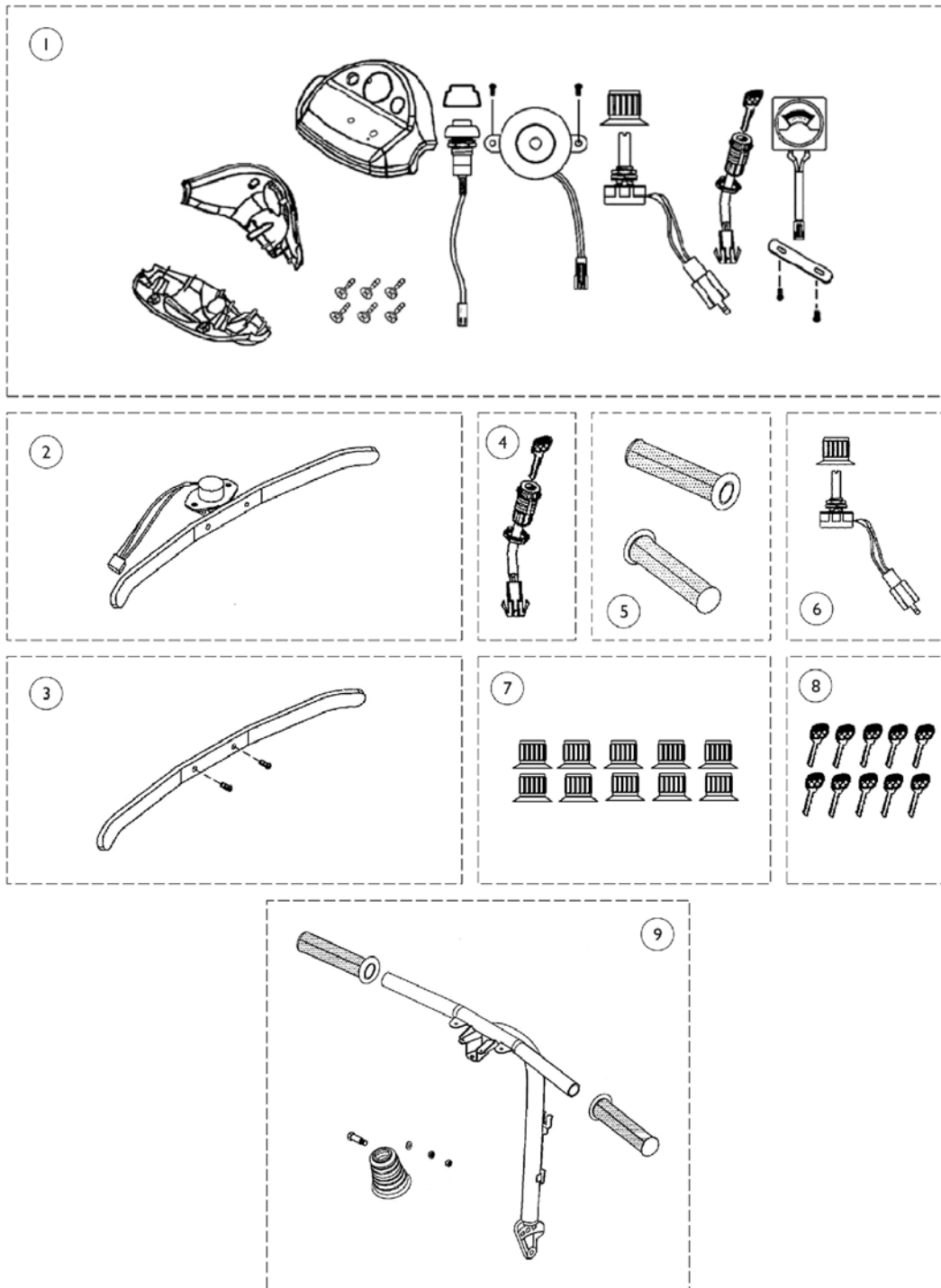


Lower Tiller Assembly & Front Wheels

Item Number	Note	Part Number	Description	Quantity Per	
				Package	Assembly
1		1144826	Kit, Front Steering (L-4) Includes: (1) ea. Swing Assembly, (4) ea. Nylon Washer, (1) ea. Axle - Right, (1) ea. Axle - Left, (2) ea. Bolts, (2) ea. Washers, (2) ea. Nylon Nuts, (2) ea. Rod Assemblies, and (2) ea. Nuts	1	1
2		1144806-NLA	NLA - Boot, Bellow, Tiller	1	1
3		1144803	Kit, Headset Bearing Includes: (1) ea. Tube Clamp with Hardware, (3) ea. Steering Nut, (3) ea. Plain Washer, (3) ea. Tooth Washer, (3) ea. Steering Race, and (2) ea. Bearings	1	1
4		1144804	Kit, Lower Hardware (L-3) Includes: (1) ea. Guide, (1) ea. Washer, (1) ea. Bolt, (1) ea. Bolt, (2) ea. Nylon Nut, (1) ea. Washer, and (1) ea. Steering Adjustment Bracket	1	1
5		1144805	Fork, Front (L-3)	1	1
6		1144822	Kit, Front Wheel (L-3) Includes: (1) ea. Nylon Nut, (1) ea. Plain Washer, (2) ea. Spacer, (1) ea. Bolt, and (1) ea. Front Wheel	1	1
7		1144832-NLA	NLA - Kit, Front Wheel (L-4) Includes: (1) ea. Bolt, (1) ea. Plain Washer, and (1) ea. Front Wheel	1	1

Tiller Maintenance

Starting with Serial Number 10BCT600000 (L-3) and 10BCT600248 (L-4), the shade of Blue used on the Shrouds changed from Blue to Onyx Blue. Customers may have to replace all Shrouds with the Onyx Blue Shrouds if color consistency is important.



Tiller Maintenance

Starting with Serial Number 10BCT600000 (L-3) and 10BCT600248 (L-4), the shade of Blue used on the Shrouds changed from Blue to Onyx Blue. Customers may have to replace all Shrouds with the Onyx Blue Shrouds if color consistency is important.

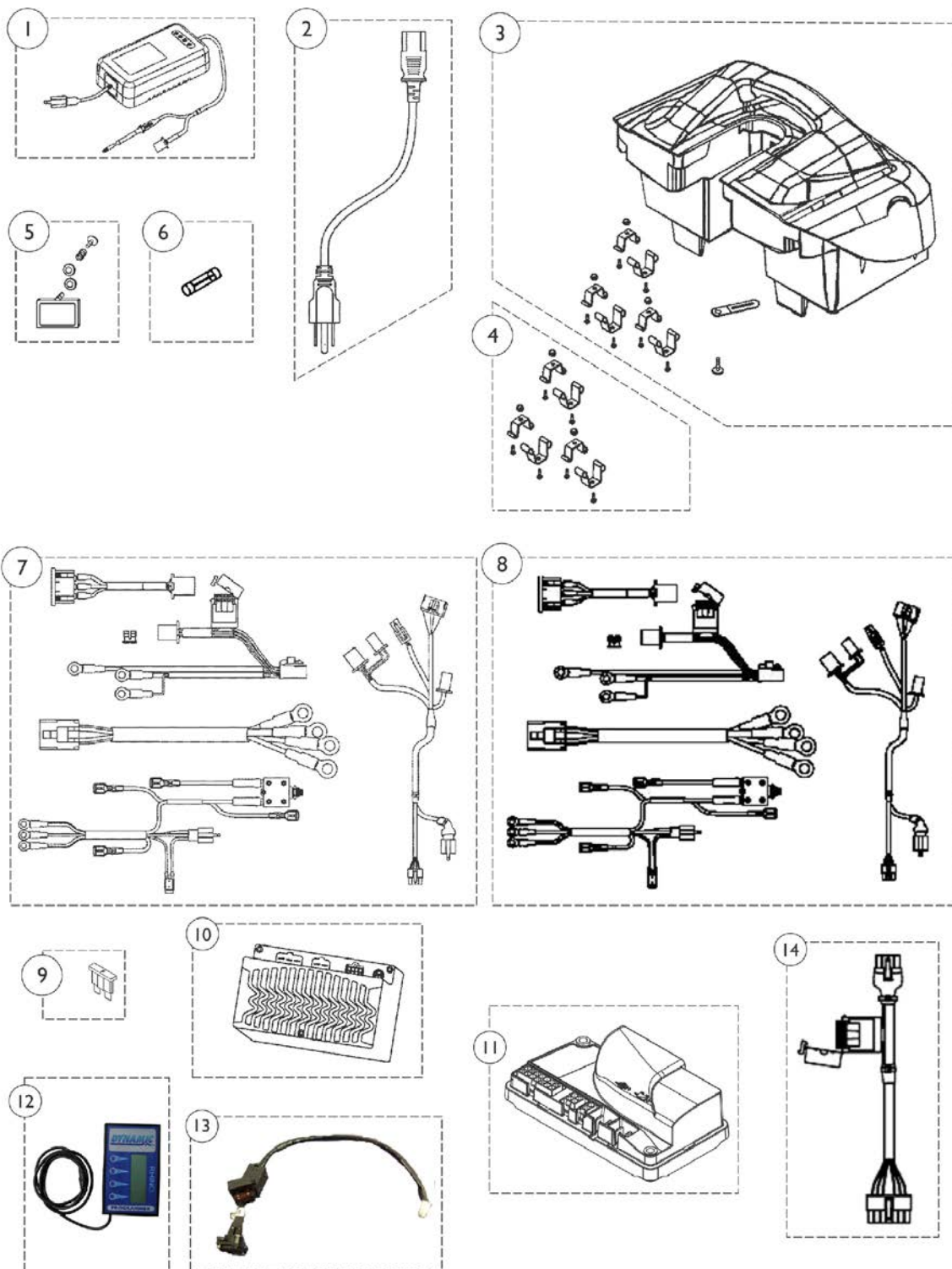
Item Number	Note	Part Number	Description	Quantity Per	
				Package	Assembly
1	A,C	1144807	Kit, Tiller Steering Cover, Red - Includes: Tiller Cover - Upper (1), Tiller Cover - Front (1), Tiller Cover - Rear (1), Screws (6), Faceplate Sticker (1), Reflector (1), Meter/Lamp PC Board (1), Battery Indicator (1), Screws (2), Speed Pot (1), Speed Pot Knob (1), Ignition Switch w/ Key (1), Horn Speaker (1), Screws (2), Horn Button (1), Horn Button Cap (1), and Decals	1	1
1	A,C	1144808	Kit, Tiller Steering Cover, Blue - Includes: Tiller Cover - Upper (1), Tiller Cover - Front (1), Tiller Cover - Rear (1), Screws (6), Faceplate Sticker (1), Reflector (1), Meter/Lamp PC Board (1), Battery Indicator (1), Screws (2), Speed Pot (1), Speed Pot Knob (1), Ignition Switch w/ Key (1), Horn Speaker (1), Screws (1), Horn Button (1), Horn Button Cap (1), and Decals	1	1

Tiller Maintenance

Starting with Serial Number 10BCT600000 (L-3) and 10BCT600248 (L-4), the shade of Blue used on the Shrouds changed from Blue to Onyx Blue. Customers may have to replace all Shrouds with the Onyx Blue Shrouds if color consistency is important.

Item Number	Note	Part Number	Description	Quantity Per	
				Package	Assembly
1	A,D	1169661	Kit, Tiller Steering Cover, Onyx - Includes: Tiller Cover - Upper (1), Tiller Cover - Front (1), Tiller Cover - Rear (1), Screws (6), Faceplate Sticker (1), Reflector (1), Meter/Lamp PC Board (1), Battery Indicator (1), Screws (2), Speed Pot (1), Speed Pot Knob (1), Ignition Switch w/ Key (1), Horn Speaker (1), Screws (2), Horn Button (1), Horn Button Cap (1), and Decals	1	1
2		1144795	Throttle Pot and Lever Assembly	1	1
3		1144796	Throttle Lever w/ Hardware	1	1
4		1144793	Ignition Switch with Key Assembly	1	1
5		1144802	Hand Grip (Pair)	2	1
6		1144791	Kit, Speed Pot - Includes: Speed Control Knob (1) and Speed Pot - 30 K Ohms (1)	1	1
7		1144792	Package, Speed Control Knob	10	1
8		1144794	Package, Ignition Key	10	1
9		1148841	Kit, Steering Bar Includes: (1) ea. Steering Bar, (2) ea. Hand Grips, (1) ea. Plain Washer, (2) ea. Nylon Washer, and (1) ea. Bolt.	1	1
NOTE: A - For use with Rhino-70 Controller or DR-50 Controller C - To be used on scooters built before serial number 10BCT600001(L-3) and 10BCT600249 (L-4). D - To be used on scooters built after serial number 10BCT600000 (L-3) and 10BCT600248 (L-4).					

Battery Box, Charger, Controller & Harnesses



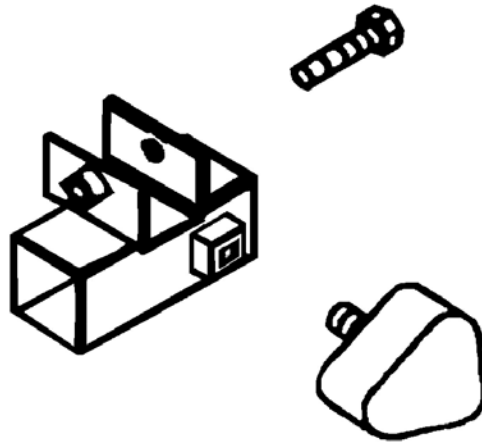
Battery Box, Charger, Controller & Harnesses

Item Number	Note	Part Number	Description	Quantity Per	
				Package	Assembly
1		1144797	Charger, On Board (2 AMP)	1	1
2		1144798	Cable, Charger	1	1
3	J	1144800-NLA	NLA - Kit, Battery Box Includes: (1) ea. Battery Cover, (6) ea. Battery Terminals, (3) ea. Bolts, (3) ea. Nuts, (3) ea. Tapping Screws, (1) ea. Wire Clamp, and (1) ea. Screw	1	1
4		1175906	Kit, Battery Box Hardware Includes: (6) ea. Battery Terminals, (3) ea. Bolts, (3) ea. Nuts, (3) ea. Tapping Screws	1	1
5		1144801	Kit, Charger Cover Port Includes: (1) ea. Inlet Cover, (2) ea. Plain Washer, (1) ea. Spring, and (1) ea. Bolt	1	1
6		1144835	Fuse (3 AMP)	1	1
7	F	1144799-NLA	NLA - Kit, Rear Wiring Harness for Rhino-70 Controller Includes: (1) ea. Battery & Charger Wire (1) ea. Power Inlet (1) ea. Battery Wire (1) ea. Motor/Brake Wire (1) ea. Battery Wire (1) ea. Rear Wiring Group	1	1
8	G,K	1162981	Kit, Wiring Harness for DC-50 Controller Includes: (1) ea. Battery and Charger Wire (1) ea. Power Inlet (1) ea. Battery Wire (1) ea. Motor/Brake Wire (1) ea. Battery Wire (1) ea. Rear Wiring Group	1	1
9		1144836	Fuse (5 AMP)	1	1
10	H	1144790	Controller, Rhino, Purple (70 AMP)	1	1
	A,E	1144837-NLA	NLA - Batteries, 12 Volt (A2SH) (Pair)	2	1
11	I	1148821	Controller, DR-50, Black	1	1
12	B,D	1150954-NLA	NLA - Programmer, Remote, ADV-PRO Dynamics	1	1
	C	1124242	Programmer, Remote (DS2K-PD)	1	1
	A,D	1154157	Programmer, Hand Held (DX-HHP) for DR-50 Controller	1	1
13		1165866	Cable, Charger w/ Fuse	1	1

Battery Box, Charger, Controller & Harnesses

Item Number	Note	Part Number	Description	Quantity Per	
				Package	Assembly
14		1148832-NLA	NLA - Kit, Rear Wiring Harness	1	1
<p>NOTE:</p> <ul style="list-style-type: none"> A - Used on scooters with serial number 07JCT600001 and later. B - Must match or verify the labels on the controller to verify it's correct model type. C - Remote Programmer is a direct service replacement part for scooters with serial numbers prior to 07JCT600001. D - Not Shown E - This part number is no longer available. Please order 12AH-2 for replacement. F - Used with Rhino-70 Controller Only. G - Used with DC-50 Controller Only. H - Before 12/06/07. Controller Outer Case is purple. I - After 12/05/07. Controller Outer Case is black. J - Harness and fuse are not included. See item #7 or #8. K - When item #8 is ordered item #14 1148832 Rear Wiring Harness must be ordered as well. 					

Bracket, Accessory



Item Number	Note	Part Number	Description	Quantity Per	
				Package	Assembly
	A	1148158	Kit, Bracket Accessory w/ Hardware	1	1
NOTE: A - Options do not have to be ordered for a scooter to have an Accessory Bracket. The Bracket comes standard on all scooters when originally ordered.					

Invacare Corporation

www.invacare.com



Yes, you can.

One Invacare Way
Elyria, Oh USA
44036-2125
800-333-6900

Technical Support
800-832-4707
Florida Technical Support
407-321-5630

Customer Service
800-333-6900

© 2022 Invacare Corporation. All rights reserved. Republication, duplication or modification in whole or in part is prohibited without prior written permission from Invacare. Trademarks are identified by ™ and ®. All trademarks are owned by or licensed to Invacare Corporation or its subsidiaries unless otherwise noted. (Revised 05/18/22)

Form No. 06-109