

**Oxygen Concentrator**  
**International Platinum™ S**  
**(IRC5LXO2 AWQ)**



*Yes, you can.*

# Parts Catalog Usage Guide

The information contained in this document is subject to change without notice. This catalog contains service parts for Form No. 06-104. If you have any questions regarding this catalog, please contact one of our Customer Service Representatives.

**For Customer Service Support Call:**

**1-800-333-6900**

**For Faxed In Orders Call:**

**1-800-678-4682 or**

**1-440-366-0709**

**For Technical Service Call:**

**1-800-832-4707**

**Literature Can Be Found at:**

**[www.invacare.com](http://www.invacare.com) or**

**1-800-828-6272**

## SYMBOL DEFINITION

Throughout this catalog you will notice letters to draw your attention to specific footnotes which are located at the bottom of the page or below specified charts.

Examples:

A,B,C etc. = Special Comments

NOTE: = General information pertaining to that specific page

NLA = No Longer Available

## HARDWARE MEASUREMENTS

The measurements for the hardware will be listed as follows:

Screws, Bolts Diameter X Thread Count/Pitch X Length

Washers Inside Diameter X Outside Diameter X Thickness

Spacers Inside Diameter X Outside Diameter X Length

For your convenience, we have supplied an area for you to list your Invacare Representatives.

Name	Phone Numbers

© 2021 Invacare Corporation, Elyria, Ohio. Invacare, the Medallion Design and Yes, you can. are registered trademarks of the Invacare Corporation. Platinum is a trademark of Invacare Corporation. Palnut is a registered trademark of Transtechnology Corporation. Information is subject to change without notification. Palnut is a registered trademark of Transtechnology Corporation. Information is subject to change without notification

# TABLE of CONTENTS

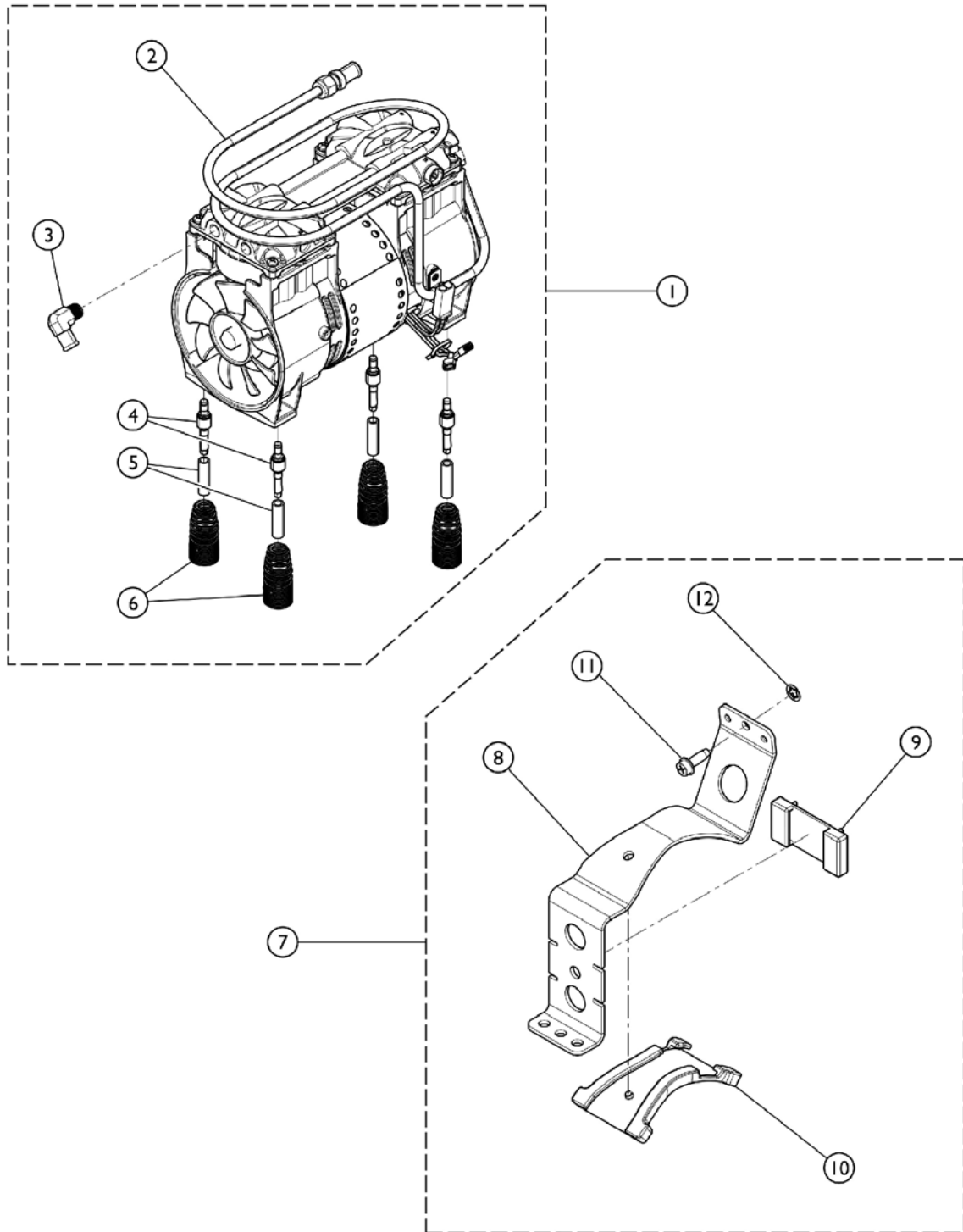
<b>Description</b>	<b>Page Number</b>
Compressor .....	4
Control Panel - Front View .....	6
Control Panel - Rear View .....	8
Packaging & Literature .....	3
Shroud - Bottom .....	12
Shroud - Top .....	10
Sieve Beds & Product Tank .....	14
Sound Box & Manifold .....	16

## Packaging and Literature

Item Number	Note	Part Number	Description	Quantity Per	
				Package	Assembly
	A	1134866-NLA	NLA - Owner's Manual - AWQ	1	1
	A	1164896	Owner's Manual - Hungarian	1	1
	A	1112296-NLA	NLA - Kit, Packaging w/ Carton, Inserts and Owner's Manual	1	1

NOTE: A - Not Shown.

# Compressor



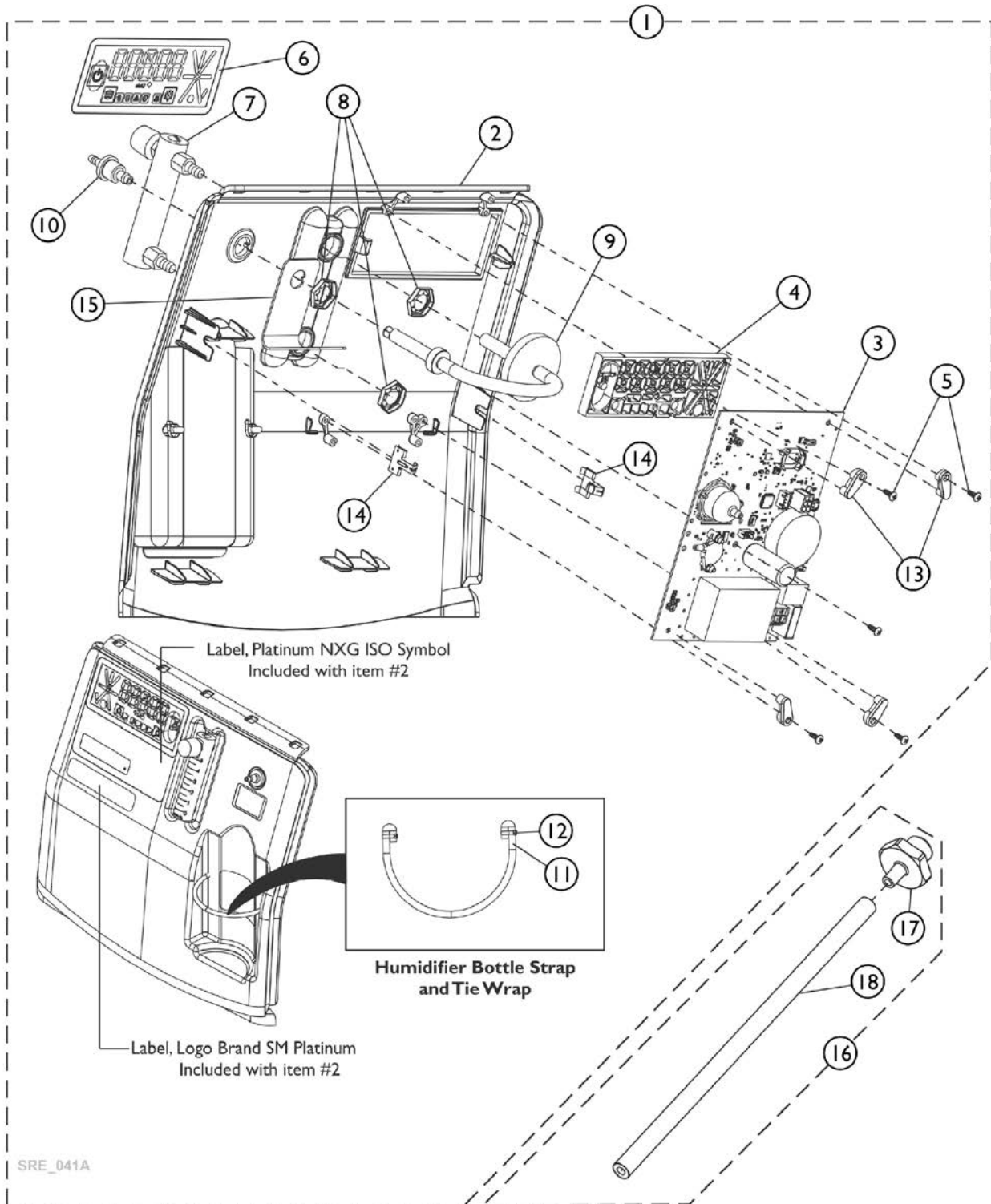
SRE\_014A

# Compressor

Item Number	Note	Part Number	Description	Quantity Per	
				Package	Assembly
1	A,B	1136960-NLA	NLA - Tech Only - Compressor with Mounting Hardware	1	1
2		1119590-NLA	NLA - Tech Only - Heat Exchanger Assembly	1	1
3		1108819	Fitting, Elbow (1/2" Beaded Hose x 1/4" NPT)	1	1
4		1150580	Pin, Spring Retainer	1	4
4		1106446-NLA	NLA - Pin, Spring Retainer	1	4
5		1107411	Glide, Pin	1	4
6		1105504-NLA	NLA - Spring, Compressor Mount	1	4
6		1150581	Spring, Compressor Mount	1	4
7	C	1186230	Kit, Compressor Restraint Bracket w/ Hardware	1	1
8			Bracket, Restraint, Compressor	1	1
9			NLA - Bumper, Bracket	1	1
10			Bumper, Restraint Bracket, Compressor	1	1
11			NLA - Screw, Phillips Hex Washer Head w/ Patch (1/4-20 x 3/4")	1	1
12			Retainer, Push (1/4")	1	1
	D	1153688	Kit, Compressor Rebuild w/ Instruction Sheet	1	1
			Compressor Rebuild - Thomas	1	1
			Instruction Sheet, Thomas Rebuild 2660-2650	1	1

NOTE: A - Includes Compressor and Items 3 - 6.  
 B - Used with IRC5LXO2AWQ.  
 C - Includes Items 8 - 12.  
 D - Not Shown.

# Control Panel - Front View



## Control Panel - Front View

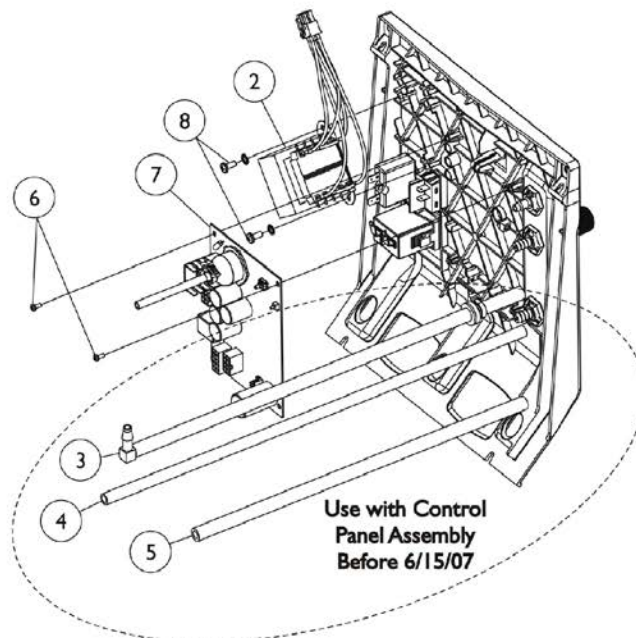
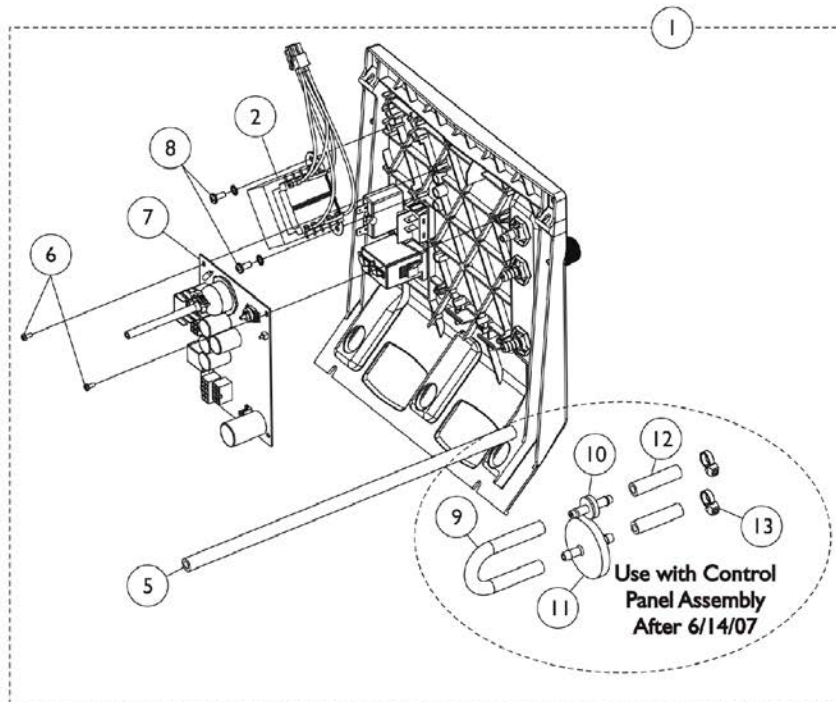
Item Number	Note	Part Number	Description	Quantity Per	
				Package	Assembly
1		1128404	Screw, Phillips Hex Washer Head (#8-32 x 3/8")	1	2
2		2000507	Palnut (9/16-18)	1	3
3		1110824-NLA	NLA - Tech Only - Circuit Breaker (4 AMP)	1	1
4		2002939-NLA	NLA - Tech Only - Hour Meter Assembly with Clip	1	1
5		1139950	Switch, Powe On/Off	1	1
6		1121475-NLA	NLA - Label, Control Panel, English - IRC5LX02AW	1	1
6		1121476	Label, Control Panel, Spanish - IRC5LX02AW	1	1
6		1121477	Label, Control Panel, French - IRC5LX02AW	1	1
6		1121478	Label, Control Panel, German - IRC5LX02AW	1	1
6		1121479	Label, Control Panel, Port/Brazil - IRC5LX02AW	1	1
6		1121480	Label, Control Panel, Norwegian - IRC5LX02AW	1	1
6		1121481	Label, Control Panel, Finland - IRC5LX02AW	1	1
6		1121482	Label, Control Panel, Danish - IRC5LX02AW	1	1
6		1142731	Label, Control Panel, Italian - IRC5LX02AW	1	1
6		1142732	Label, Control Panel, Polish - IRC5LX02AW	1	1
6		1142733	Label, Control Panel Text, Czech - IRC5LX02AW	1	1
6		1142734	Label, Control Panel, Greek - IRC5LX02AW	1	1
6		1142735	Label, Control Panel, Dutch - IRC5LX02AW	1	1
6		1142736	Label, Control Panel, Swedish - IRC5LX02AW	1	1
6		1164897	Label, Control Panel, Hungarian - IRC5LX02AW	1	1
7	C	1110561	Flowmeter without Palnuts - 5 Liter	1	1
8		2000473	Connector, Barbed (1/4")	1	1
9		1140334-NLA	NLA - Decal, Logo - Platinum S AWQ	1	1
10	A	1128379-NLA	NLA - Package, Knob, Flowmeter, Silver w/ Black Swish (Pkg. of 10)	10	1
10	B	1128380	Package, Knob, Flowmeter, Black w/ Silver Swish	10	1
11		1101591	Support, Control Panel	1	2
12		1112562-NLA	NLA - Tech Only - Seal, Circuit Breaker	1	1

NOTE: A - Knob is Silver with Black increasing flow symbol. Use on flowmeters with Phillips Head Indented Screw on top.  
 B - Knob is Black with Silver increasing flow symbol. Use on flowmeters with Slotted Head Screw on top.  
 C - Palnuts are not included, refer to Item #2.



# Control Panel - Rear View

Rear View of  
Control Panel Shown

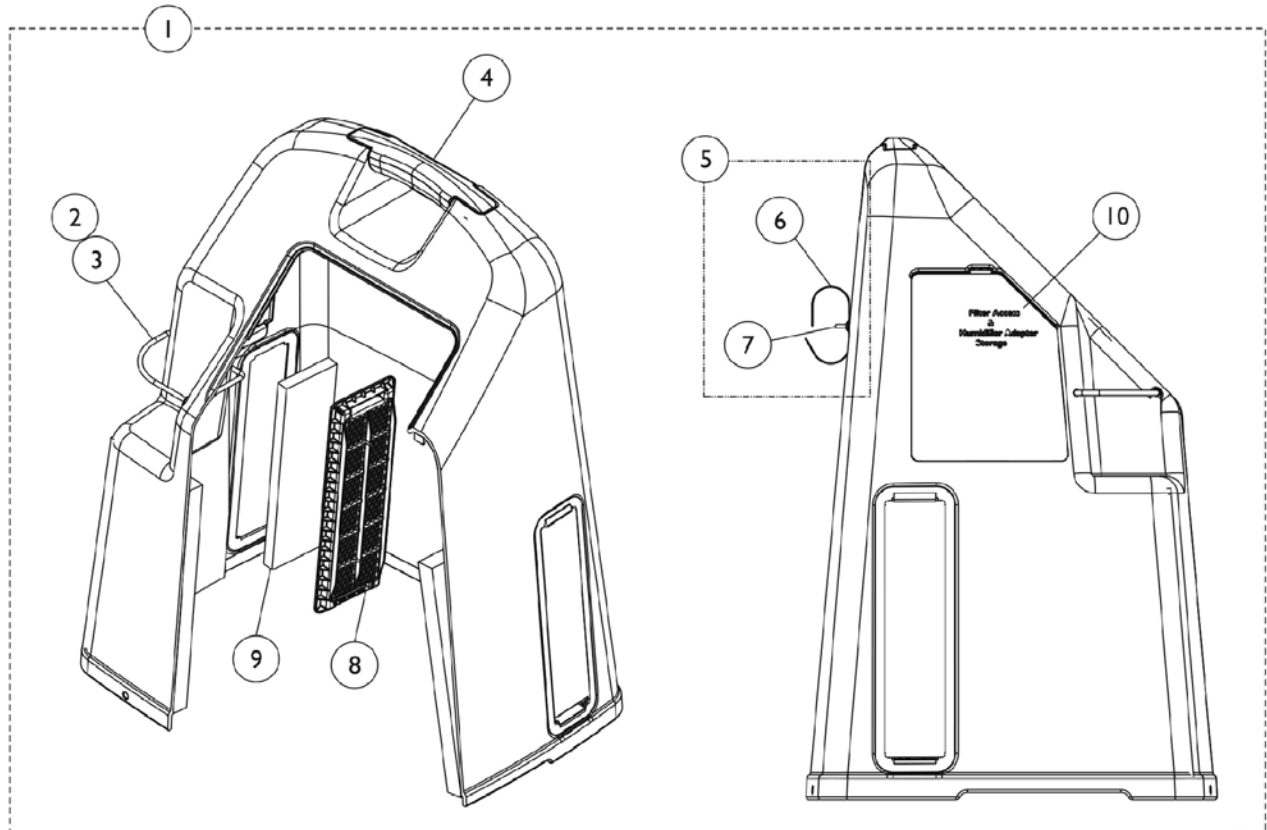


## Control Panel - Rear View

Item Number	Note	Part Number	Description	Quantity Per	
				Package	Assembly
1	B	1140405	Control Panel Assembly	1	1
2	D	1105385-NLA	NLA - Tech Only - Transformer	1	1
	E	1105391-NLA	NLA - Transformer Kit	1	1
3	A	1110779-NLA	NLA - Tubing Assembly, Check Valve Discharge	1	1
4		1108815-NLA	NLA - Tubing, Silicon (1/4 x 16-1/4")	1	1
5		1108809	Tubing, PVC (1/4 x 12-3/4")	1	1
6		2001902-NLA	NLA - Screw, Phillips Pan Head (#4-40 x 1/4")	1	2
7		1148686	PCB Control Assembly	1	1
8		1102696	Screw, Phillips Pan Head SEMS (#8-32 x 3/8")	1	2
	C	1121280-NLA	NLA - Tech Only - Harness, Wire, 10 Pin NEC	1	1
9		1143144	Tubing, PVC (1/4 x 5")	1	1
10		2000436	Check Valve, Barb (5/16")	1	1
11		P0750X030	Filter, Patient HEPA Outlet	1	1
12		1110473	Tubing, PVC (1/4 x 1-3/4")	1	2
13		2001682	Tie Wrap (8" L)	1	2

NOTE: A - Includes Tubing (2 ea.) Check Valve, Elbow and Tie Wraps.  
 B - Includes Control Panel with 1-12 (Front View) and 2-9 (Rear View).  
 C - Not Shown.  
 D - Individual item no longer available, refer to Transformer Kit Part #1105391 for replacement.  
 E - Kit includes Transformer, Nuts and Insulator.

# Shroud Top

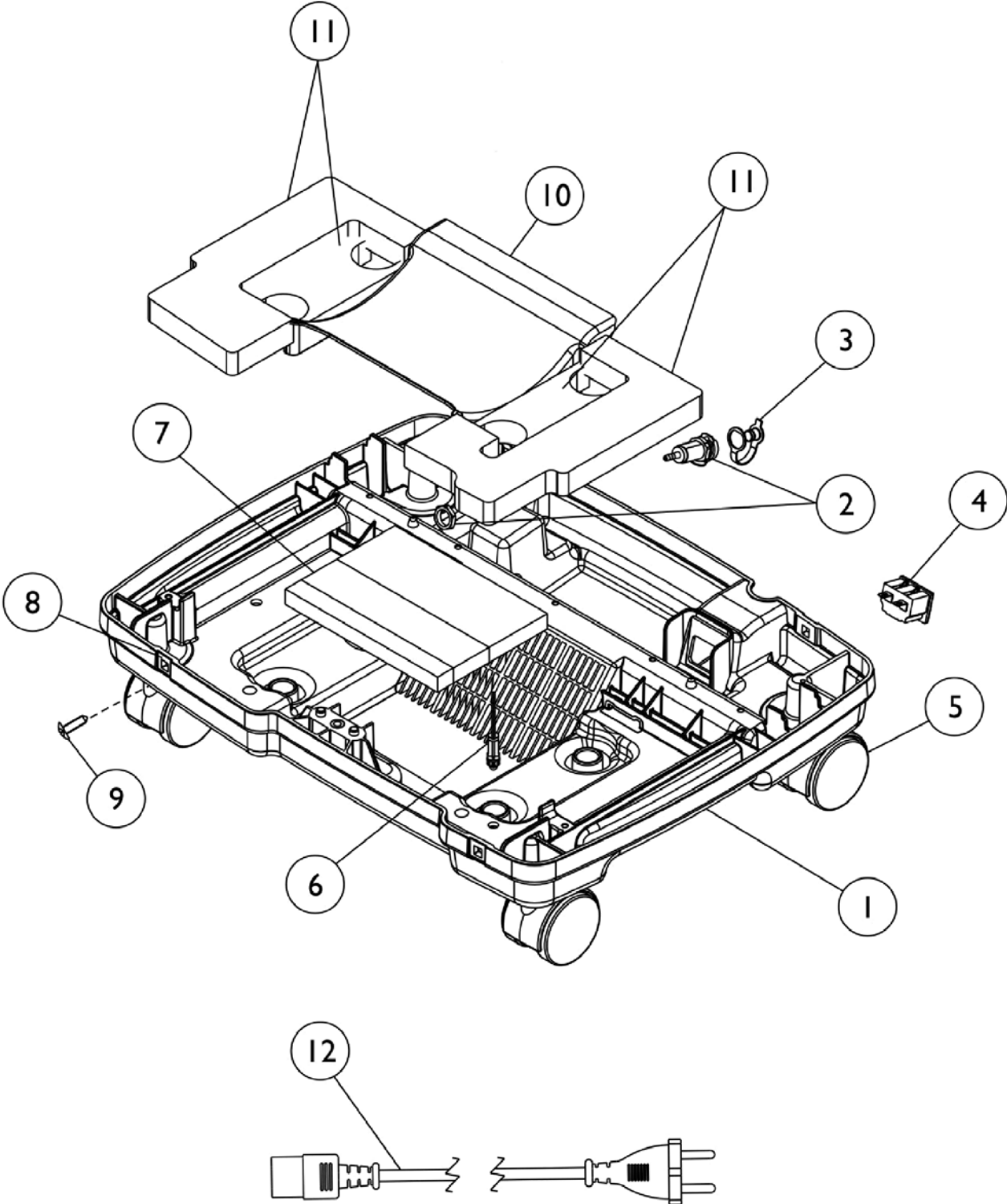


## Shroud Top

Item Number	Note	Part Number	Description	Quantity Per	
				Package	Assembly
1	A,B,C	1108803	Cabinet Cover without Tie Wraps	1	1
2		1070050	Tie Wrap (3-29/32" L)	1	1
3		60125500	Cord, Elastic	1	1
4		1115868	Kit, Cabinet Handle	1	1
			Handle, Top, Warm Grey	1	1
			NLA - Screw, Hex Head Tap (1/4-15 x 3/4")	1	2
5	B,C	1172003	Package, Power Cord Strap w/ Hardware	1	1
6			Strap, Hook and Loop	10	1
7			Rivet, Plastic	10	1
			NLA - Retainer, Push On	10	1
8		1107400	Grid, Filter	1	2
9		1107412	Filter, Cabinet	1	2
10		1110766	Door, Filter Access with Foam Gasket	1	1
	C	1112296-NLA	NLA - Kit, Packaging w/ Carton, Inserts and Owner's Manual	1	1

NOTE: A - Includes Cabinet and Items 2-9.  
 B - After 6/28/07, the Hook and Loop Strap are no longer used on the Cabinet Cover Assembly. If Hook and Loop Strap is needed you must order Package, Power Cord Strap w/ Hardware, Part Number 1172003.  
 C - Not shown.

# Shroud - Bottom

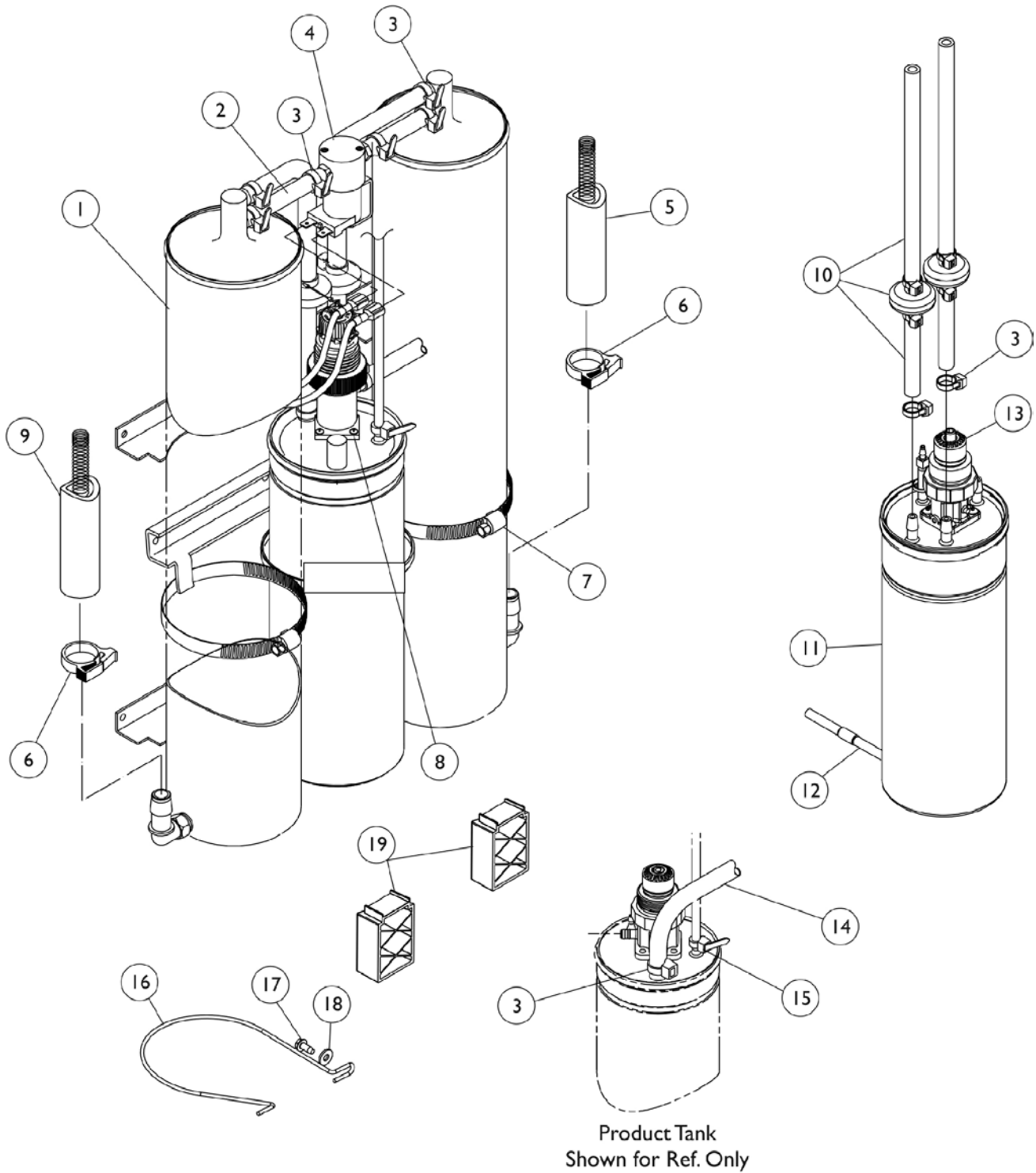


## Shroud - Bottom

Item Number	Note	Part Number	Description	Quantity Per	
				Package	Assembly
1	C	1108804-NLA	NLA - Base, Compressor, Maroon	1	1
1	C	1134174-NLA	NLA - Tech Only - Base, Compressor, Black	1	1
2		1104151	Fitting, Hose Barb with Nut (1/8")	1	1
3		1108211	Cap, End, Dust, Green	1	1
4		1105515-NLA	NLA - Tech Only - Module, Inlet (15A/ 250 VAC)	1	1
5		1110426	Caster Assembly (2")	1	4
6		2000576	Stand-Off, Twist-Lok (1/2")	1	1
7		1137257-NLA	NLA - Tech Only - Foam, Base - AWQ	1	1
8		2002360-NLA	NLA - Grommet, Plastic	1	4
8		2000360	Grommet, Plastic	1	4
9		2000508	Screw, Phillips Truss Head Self Tap (#8-32 x 5/8")	1	4
10		1136948-NLA	NLA - Exhaust, Baffle, Plastic	1	1
11	B	1119595-NLA	NLA - Tech Only - Kit, Foam Base	1	1
12	A	1131308-NLA	NLA - Tech Only - Cord, Power, Continental Europe	1	1
12	A	1062794-NLA	NLA - Cord, Power - Argentina, Australia, Peoples Republic of China and New Zealand	1	1
12	A	1062793-NLA	NLA - Cord, Power - Hong Kong, Singapore and Vietnam	1	1
12	A	1071398	Cord, Power - Israel	1	1
12	A	1102634	Cord, Power - India	1	1

NOTE: A - Select Line Cord desired.  
 B - Kit includes Right Inner, Right Outer and Left Outer Base Foam.  
 C - Base color has changed to black after 5/10/07.

# Sieve Beds and Product Tank



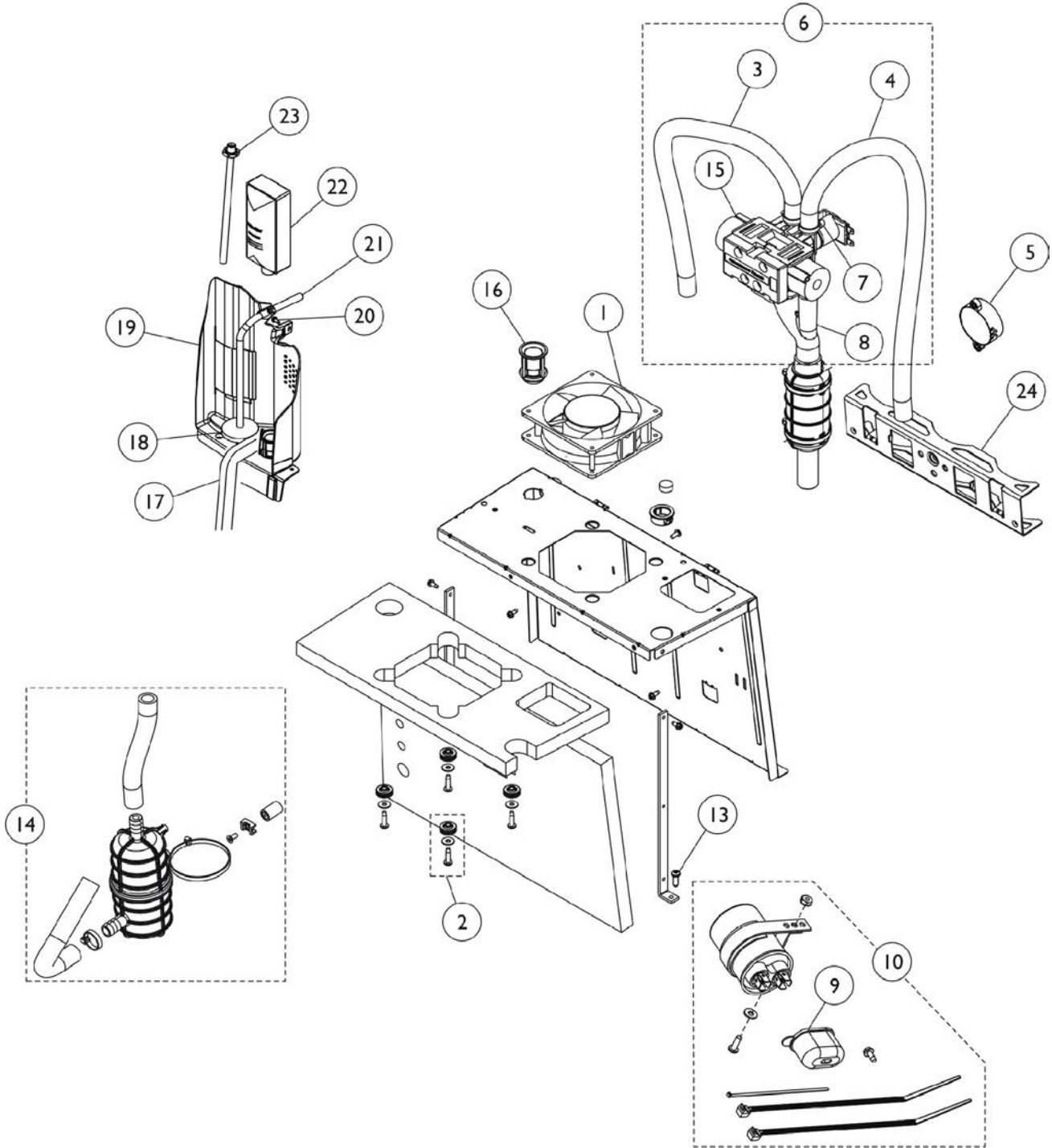
## Sieve Beds and Product Tank

Item Number	Note	Part Number	Description	Quantity Per	
				Package	Assembly
1	A,K	1101707	Sieve Bed Assembly (Pair)	1	1
2		1110774	Tubing, PVC (1/4 x 2-1/2")	1	2
3		2001682	Tie Wrap (8" L)	1	9
4	E	1137252-NLA	NLA - P.E. Valve Assembly	1	1
5		1108783	Tubing, Braided (1/2 x 23")	1	1
6		2001652	Clamp, Plastic (1/2")	1	2
7		1002807	Clamp, Hose	1	3
8		1075666	Screw, Socket Button Head Cap, Regulator (8-32 x 3/8")	1	4
9		1108784	Tubing, Braided (1/2 x 20-1/4")	1	1
10	B	1104310	Kit, Check Valve	1	1
			Clamp, Hose	1	2
			Tie Wrap (3-29/32" L)	1	1
			Instruction Sheet	1	1
			Check Valve, Barb (5/16")	1	2
			Tie Wrap (8" L)	1	9
			Tube, Clear (1/4")	1	1
11	D,F	1130681	Product Tank Assembly	1	1
12	C,F	1116433	HomeFill Tubing Assembly	1	1
13	G	1075506-NLA	NLA - Regulator	1	1
13	H	1162040	Kit, Regulator w/ SenO2	1	1
			NLA - Regulator	1	1
			Screw, Socket Button Head Cap, Regulator (8-32 x 3/8")	1	4
			NLA - O-Ring (11/64" I.D.)	1	2
14		1108809	Tubing, PVC (1/4 x 12-3/4")	1	1
15		1070050	Tie Wrap (3-29/32" L)	1	1
16	J	1154223-NLA	NLA - Tech Only - Restraint, Sieve Bed	1	1
17		1128404	Screw, Phillips Hex Washer Head (#8-32 x 3/8")	1	1
18		P0870X490	Washer, Flat (#8)	1	1
19	J	1154224-NLA	NLA - Tech Only - Support, Sieve Bed	1	2

NOTE: A - Includes (2) Sieve Beds, (2) Clamps, (2) Hose Clamps and (4) Tie Wraps.  
 B - Includes (2) Check Valve, (1) Cable Tie, (2) Hose Clamps, Tubing and (9) Tie Wraps.  
 C - Includes Fitting, Tubing, Restrictor and Filter.  
 D - Includes Product Tank, Cap with O-Ring, Snap Ring and Regulator.  
 E - Includes Valve, Tubing and Tie Wraps.  
 F - Due to design change the HomeFill Tubing Assembly has changed from a 8-1/2" to a 18" Hose, with a removal of the fitting as well. The change is compatible with existing units.  
 G - Regulator does have an O2 bleed port  
 H - Kit includes the Regulator, (4) Screws, (2) O-Rings  
 J - Not available as US ISP, purchased directly from China by Europe.  
 K - May contain reactivated sieve.



# Sound Box & Manifold



## Sound Box & Manifold

Item Number	Note	Part Number	Description	Quantity Per	
				Package	Assembly
1		1136943-NLA	NLA - Tech Only - Fan, Exhaust	1	1
2		1141964	Kit, Fan Mounting Hardware	1	1
			Grommet, Isolator w/ Spacer	4	1
			Washer (#10)	4	1
			NLA - Screw, Phillips Pan Head (10-24 x 3/4")	4	1
3		1108783	Tubing, Braided (1/2 x 23")	1	1
4		1108784	Tubing, Braided (1/2 x 20-1/4")	1	1
5		2001765	Harness, Horn/Alarm	1	1
6	A,B	1136944-NLA	NLA - Tech Only - Manifold/Valve and Muffler Assembly	1	1
7		2001682	Tie Wrap (8" L)	1	5
8		1136945-NLA	NLA - Tech Only - Muffler/Y-Tube Assembly	1	1
9		P0875X560-NLA	NLA - Boot, Terminal	1	1
10	D	1141835	Kit, Capacitor 10 MFD	1	1
			NLA - Tech Only - Capacitor, 10 MFD	1	1
			Clamp, Cap	1	1
			Screw, Phillips Pan Head (8-32 x 1/2")	1	1
			Washer, Flat (#8)	1	1
			NLA - Nut, Keps (#6-32)	1	1
			NLA - Boot, Terminal	1	1
			Tie Wrap (3-29/32" L)	1	1
			Screw, Phillips Hex Washer Head (#8-32 x 3/8")	1	1
			Tie Wrap (8" L)	1	2
11	C,E	P0876X026	Clamp, Hose	1	1
12	C,E	1108822	Elbow, PVC Formed (1/2 x 2-1/2 x 2-1/2")	1	1
13		1108810	Screw, Hi-Lo Six Lobe Drive (#10-16 x 5/8")	1	7
14		1141965-NLA	NLA - Kit, Inlet Resonator	1	1
			Tube, Inlet, Top	1	1
			Resonator	1	1
			Tube, Inlet, Bottom	1	1
			Tie Wrap (8" L)	1	1
			Tie Wrap (11-3/4")	1	1
			Screw (8-32 x 3/8")	1	1
			Mount, Cable Tie	1	1
			Stand-Off	1	1
			NLA - Screw, Phillips Pan Head (#8-32 x 3/8")	1	1
15	G	1105552	Kit, 4 Way Valve/Manifold Service	1	1
			NLA - Manifold Assembly	1	1
			Kit, 4-Way Valve w/ Screws	1	1
			Hose, Reinforced Silicon (1/2 x 8-1/2")	1	1
			Tubing, Reinforced Braided (1/2x 4-1/8")	1	2
			Clamp, Hose	1	1
			Tubing, Reinforced Braided (1/2 x 26")	1	2
			Tie Wrap (8" L)	1	6
			Clamp, Plastic (1/2")	1	2

## Sound Box & Manifold

Item Number	Note	Part Number	Description	Quantity Per		
				Package	Assembly	
15	H C C	1101141 1101141R 1101141E-NLA	Bushing, Step (1/2")	1	4	
			Washer, Flat (#8)	1	2	
			NLA - Screw, Phillips Pan Head (#8-32 x 3/4")	1	2	
			NLA - Resistor Service Assembly	1	1	
			Tie Wrap (3-29/32" L)	1	4	
			Instruction Sheet	1	1	
			Kit, 4-Way Valve w/ Screws	1	1	
			Valve, Reconditioned	1	1	
			Kit, Valve - Warranty Replacement	1	1	
			Valve, Reconditioned	1	1	
			Gasket	1	1	
			Screw, Socket Head (M5 x .8 x 2mm)	1	4	
16	F	1106675	Coupling, Inlet Filter	1	1	
17		2000812	Seal, Foam	1	2	
18		P0750X030	Filter, Patient HEPA Outlet	1	1	
19		1115183	Partition Assembly	1	1	
20		1128404	Screw, Phillips Hex Washer Head (#8-32 x 3/8")	1	1	
21		1108815-NLA	NLA - Tubing, Silicon (1/4 x 16-1/4")	1	1	
22		1131249	Filter, Inlet Sound Reduced	1	1	
23		2000799	Adapter with Tubing for Humidifier Bottle	1	1	
24		1125477-NLA	NLA - Tech Only - Bracket, Soundbox	1	1	
<p>NOTE: A - Manifold is not available as an individual item, order item #6 Manifold/Valve.            B - Includes Manifold Assembly and items 3-4, 7-8, 11-12 and 15.            C - Not Shown.            D - Kit includes Capacitor, Clamp, Boot, Washer, Nut, Screws, Cable Tie and Tie Wrap.            E - Used with the Manifold/Valve Assembly.            F - After 6/14/07 the Hepa Filter was moved to the inside of cabinet, located between the Flow Meter and the Patient Outlet Barb. See "Rear Control Panel" category to view reflective changes.            G - Used with Concentrators manufactured before January 31, 2001.            H - Used with Concentrators manufactured after February 1, 2001.</p>						

**Invacare Corporation**

[www.invacare.com](http://www.invacare.com)



**Yes, you can.**

One Invacare Way  
Elyria, Oh USA  
44036-2125  
800-333-6900

Technical Support  
800-832-4707  
Customer Service  
800-333-6900

Literature Orders  
800-333-6900

© 2021 Invacare Corporation. All rights reserved. Republication, duplication or modification in whole or in part is prohibited without prior written permission from Invacare. Trademarks are identified as ™ and ®. All trademarks are owned by or licensed to Invacare Corporation or its subsidiaries unless otherwise noted. Palnut is a registered trademark of Transtechnology Corporation. Information is subject to change without notification.  
(Revised 05/25/21)

Form No. 06-104