

**Storm Series®
3G
Front Riggings & MKIV Electronics**

**Arrow®
Ranger X™
Torque™ SP/SE
Power Wheelchairs**



Yes, you can.

Parts Catalog Usage Guide

The information contained in this document is subject to change without notice. This catalog contains service parts for Form No. 06-100. If you have any questions regarding this catalog, please contact one of our Customer Service Representatives.

For Customer Service Support Call:

1-800-333-6900

For Faxed In Orders Call:

1-800-678-4682 or

1-440-366-0709

For Technical Service Call:

1-800-832-4707

Literature Can Be Found at:

www.invacare.com or

1-800-828-6272

SYMBOL DEFINITION

Throughout this catalog you will notice letters to draw your attention to specific footnotes which are located at the bottom of the page or below specified charts.

Examples:

A,B,C etc. = Special Comments

NOTE: = General information pertaining to that specific page

NLA = No Longer Available

HARDWARE MEASUREMENTS

The measurements for the hardware will be listed as follows:

Screws, Bolts Diameter X Thread Count/Pitch X Length

Washers Inside Diameter X Outside Diameter X Thickness

Spacers Inside Diameter X Outside Diameter X Length

For your convenience, we have supplied an area for you to list your Invacare Representatives.

Name	Phone Numbers

© 2022 Invacare Corporation. Elyria, Ohio. Invacare, Yes, you can., the Blue Medallion Design, Storm Series, Arrow, Tarsys are registered trademarks and MKIV, Ranger X, Torque, and GB are trademarks of Invacare Corporation. Otto Bock is a registered trademark of Otto Bock Orthopaedische Industrie GMBH & Co., Tash is a registered trademark of Tash International Inc., Therafin is a registered trademark of W/R/ Medical Electronics Co., Bussman is a registered trademark of Cooper Industries., MIDI is a registered trademark of Littelfuse Inc., Dynamic is a registered trademark of Dynamic Controls Limited.

TABLE of CONTENTS

Description	Page Number
A: READ THIS FIRST (THIS CATALOG IS DIFFERENT!)	6
Electronics - Controller Shroud Covers	135
Electronics - Dual Legs Integrated Actuator Module (DLIAM) MK6i For ELRPW Front Riggings	103
Electronics - MK6i ~PLEASE READ FIRST	102
Electronics - MKIV Controllers, Programmer and Hardware - MKIV Quad Pulse, RII Retro and RII 80 Amp	119
Electronics - MKIV Controllers, Programmer and Hardware - MKIV TrueTrack	123
Electronics - MKIV Displays	140
Electronics - MKIV Elevating Seat Toggle Switch	129
Electronics - MKIV Joystick Mounting Hardware and Joystick Accessories	109
Electronics - MKIV Joystick Options	146
Electronics - MKIV Joysticks - PSF and PSR	107
Electronics - MKIV Joysticks - RII, TCHJOY, A, A+	105
Electronics - MKIV Mid-Line Swing Bracket Assembly	112
Electronics - MKIV R.I.M. Head Control Assembly	143
Electronics - MKIV R.I.M. Head Control Mounting Hardware	142
Electronics - MKIV Sip-N-Puff/Digital Interface and COM12 and COM34	138
Electronics - MKIV Swivel Joystick Hardware	111
Electronics - MKIV TAC and 4-Way Switch	131
Electronics - MKIV TAC and 4-Way Switch For TRBKTS Option	133
Electronics - Quad Link (Before 10/31/05 - ASBA) (Before 4/07/06 - Captain Seat)	113
Electronics - Quad Link (QLA) (After 10/30/05 - ASBA), (QL) (After 4/06/06 - Captain Seat) ..	116

TABLE of CONTENTS

Description	Page Number
Electronics - Tash and Therafin Accessories	149
Frame Finishes, Touch-Up Paints and Upholstery Options	7
Front Riggings - Adjustable Angle Footplate Assemblies - AT5543 For AT5044	65
Front Riggings - Adjustable Angle Footplate Assemblies- AT5543	62
Front Riggings - Adjustable Heel Loops	73
Front Riggings - Calf Pads and Attaching Hardware	44
Front Riggings - Flip-Up Footplates - AT5043	61
Front Riggings - Footrest and Legrest Accessories	70
Front Riggings - Footrest Support Assemblies	31
Front Riggings - Footrest Supports - P93M	52
Front Riggings - Footrest Supports - PW93	46
Front Riggings - Footrest Supports - PW93E	50
Front Riggings - Footrest Supports - PW93ST	48
Front Riggings - Front Rigging Hanger Asbly. - Pin & Sector Style For ASBA Seats (Before 7/5/05) and All Van Seats	25
Front Riggings - Front Rigging Hanger Hdwr., Pin & Sector Style For ADJASBA (12-16" W) (After 7/4/05)	27
Front Riggings - Front Rigging Hanger Hdwr., Pin & Sector Style For ADJASBA/ADJRECL (16-24" W) (After 7/4/05)	29
Front Riggings - Legrest Release Handles and Ratchets	42
Front Riggings - Legrest Support Assembly - AT5544	34
Front Riggings - Legrest Support Assembly - P904A	40
Front Riggings - Legrest Support Assembly - Wedge Style AT5044	36
Front Riggings - Legrest Support Assembly, Articulating - PAS4A/PAL4A	41

TABLE of CONTENTS

Description	Page Number
Front Riggings - One Piece Wooden Footboard and Hardware - S1263	67
Front Riggings - Pivot/Slide Tube & 1350 Extra Large Aluminum Footplates - AT5044	59
Front Riggings - Pivot/Slide Tube & 1651 Composite Footplates - AT5044	53
Front Riggings - Pivot/Slide Tube & 1651 Composite Footplates	55
Front Riggings - Pivot/Slide Tube and 1650, 1450, 1350 Aluminum Footplates	56
Front Riggings - Power Articulating Legrest - Harness & Hdwr. (After 7/4/05)	90
Front Riggings - Power Articulating Legrest Kits, ELRPW - (5/1/02-7/26/04)	98
Front Riggings - Power Articulating Legrest Kits, ELRPW - (After 7/26/04)	100
Front Riggings - Power Articulating Legrest Kits, POWELR18 - (Before 9/15/01)	92
Front Riggings - Power Articulating Legrest Kits, POWELR20 - (Before 9/15/01)	94
Front Riggings - Power Articulating Legrest, ELRPW - (After 7/26/04)	86
Front Riggings - Power Articulating Legrest, ELRPW - (Between 5/1/02-7/26/04)	82
Front Riggings - Power Articulating Legrest, POWELR18/POWELR20 - (Before 9/15/01)	75
Front Riggings - Power Articulating/Non-Articulating Legrest - Harness & Hdwr. (Before 7/5/05)	89
Front Riggings - Power Non-Articulating Legrest Kits, POWELR18/POWELR20 - (9/15/01 thru 4/30/02)	96
Front Riggings - Reference Chart - 70MFX and 90 SWING	22
Front Riggings - Reference Chart - AT5544, AT5044, 60HD, 70NHD, PW93, PW93E, 60MFX	14
Front Riggings - Reference Chart - P904, PAL4A, PAS4A	17
Front Riggings - Reference Chart - P93M	19
Front Riggings - Reference Chart - PW93ST and 70ST TAPER	23
Front Riggings- Power Non-Articulating Legrest, POWERLR18/POWERLR20 - (9/15/01 Thru 4/30/02)	79

TABLE of CONTENTS

Description	Page Number
Label Locations For TRRO and TRBKTS Options	12
Packaging, Literature and Decals	9
TRRO and TRBKTS Option Clarification Reference	13

A: READ THIS FIRST (THIS CATALOG IS DIFFERENT!)

The Storm Series 3G[®] Arrow[®], Ranger X[™] and Torque[™] SP/SE parts catalog information is now divided into three separate catalogs.

The Form Numbers and Cover Titles are listed below.

Form # 00-191

Storm Series 3G
& (Elevating Seat ESS6-STM*)
Arrow
Ranger X
Torque SP/SE
Powered Wheelchairs

Form # 06-100

Storm Series 3G
Front Riggings & MKIV Electronics

Form # 06-110

MK6i Electronics
(MK6i was introduced on or about 10/9/06)

Use all three form numbers to order a “complete” Parts Catalog

* Elevating Seat Option ESS6-STM for ADJASBA & VAN Seats was discontinued 10/16/06

Frame Finishes, Touch-Up Paints and Upholstery Options

Frame Finishes and Touch-Up Paint

Color Number	Part Number	Bottle Size	Frame Finish
08P	1031456-NLA	.6 oz.	Deep Purple
17P	1046319-NLA	.6 oz.	Cobalt Blue
22P	1033376-NLA	.6 oz.	Anthracite
24P	1031450-NLA	.6 oz.	Wet Black
29P	1031447-NLA	.6 oz.	White
30P	N/A	N/A	Sunny Yellow
33P	1031455-NLA	.6 oz.	Red
34P	1046327-NLA	.6 oz.	Flat Black
60P	N/A	N/A	Silver Metallic
61P	1046321-NLA	.6 oz.	Electric Red
62P	1046320-NLA	.6 oz.	Electric Blue
66P	1046322-NLA	.6 oz.	Electric Purple
69P	1101320-NLA	.6 oz.	Teflon Black
71P	N/A	N/A	Silver Vein
80P	1073892-NLA	.6 oz.	Evergreen with Navy
83P	1073895-NLA	.6 oz.	Royal Blue with Grape
84P	1073896-NLA	.6 oz.	Lavender
101P	1101325-NLA	.6 oz.	Jeweled Green
102P	1101327-NLA	.6 oz.	Denim Blue
103P	1101324-NLA	.6 oz.	Mocha Frost
104P	1101316-NLA	.6 oz.	Electric Teal
105P	1101326-NLA	.6 oz.	Midnight Blue
115P	1133371-NLA	.6 oz.	Black Prism
116P	1133372-NLA	.6 oz.	Sunkissed Orange
117P	1133373-NLA	.6 oz.	Tangerine Red
118P	1133374-NLA	.6 oz.	Fruit Fusion
119P	1133375-NLA	.6 oz.	Bubblegum Pink
120P	1133376-NLA	.6 oz.	Grape Madness
121P	1133377-NLA	.6 oz.	Lolly Pop Blue
122P	1133378-NLA	.6 oz.	Cosmic Blue
123P	1133379-NLA	.6 oz.	Celestial Purple
124P	1133380-NLA	.6 oz.	Vivid Violet
125P	1133381-NLA	.6 oz.	Emerald Green
126P	1133382-NLA	.6 oz.	Shamrock Green
127P	1133383-NLA	.6 oz.	Grasshopper Green

Frame Finishes, Touch-Up Paints and Upholstery Options

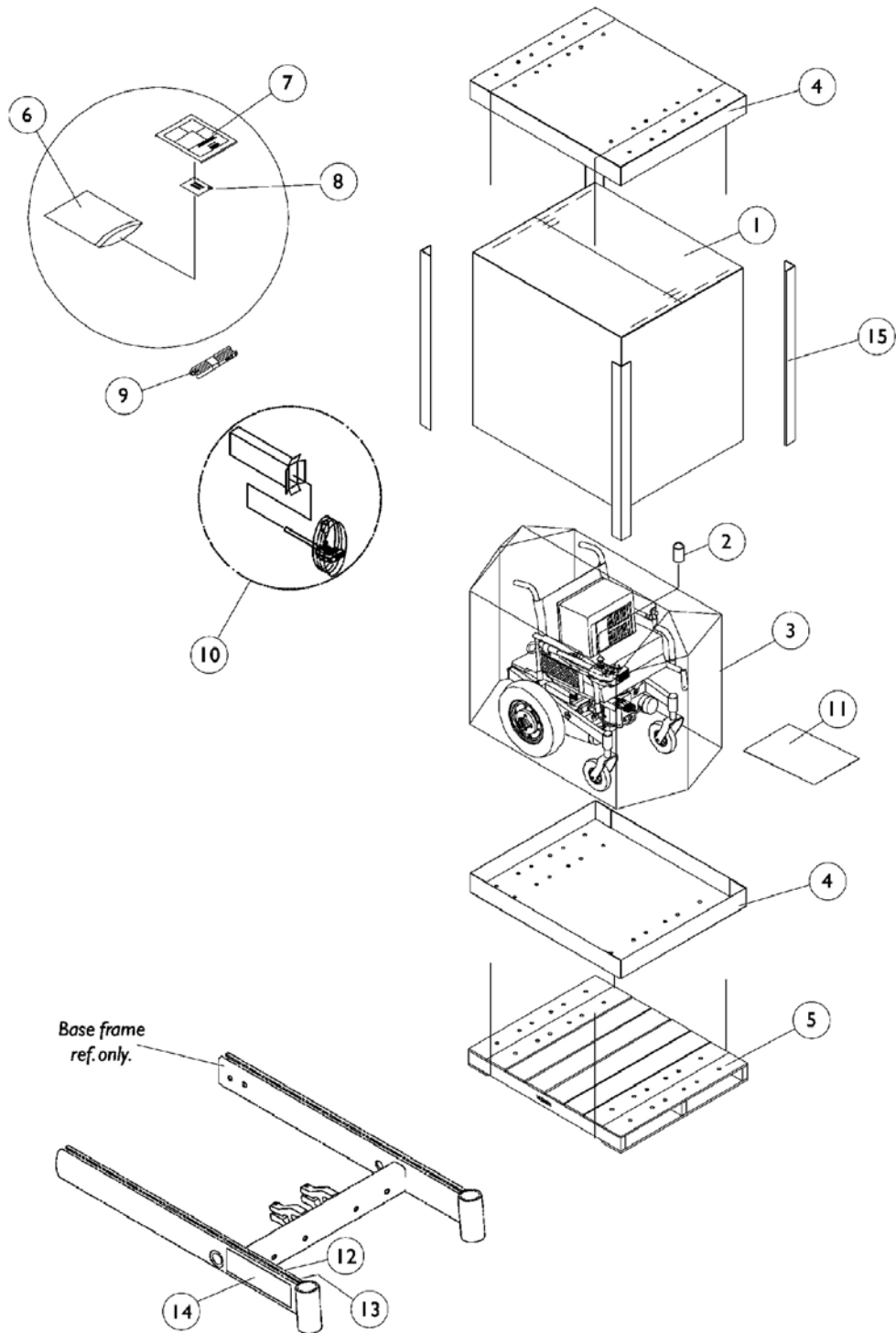
Sparkle Frame Finishes

Color Number	Frame Finish
88P	Wet Black with Twilight Sparkle

Upholstery Options

Vinyl Color	Nylon Color
U67 Black	U240 Black

Packaging, Literature and Decals



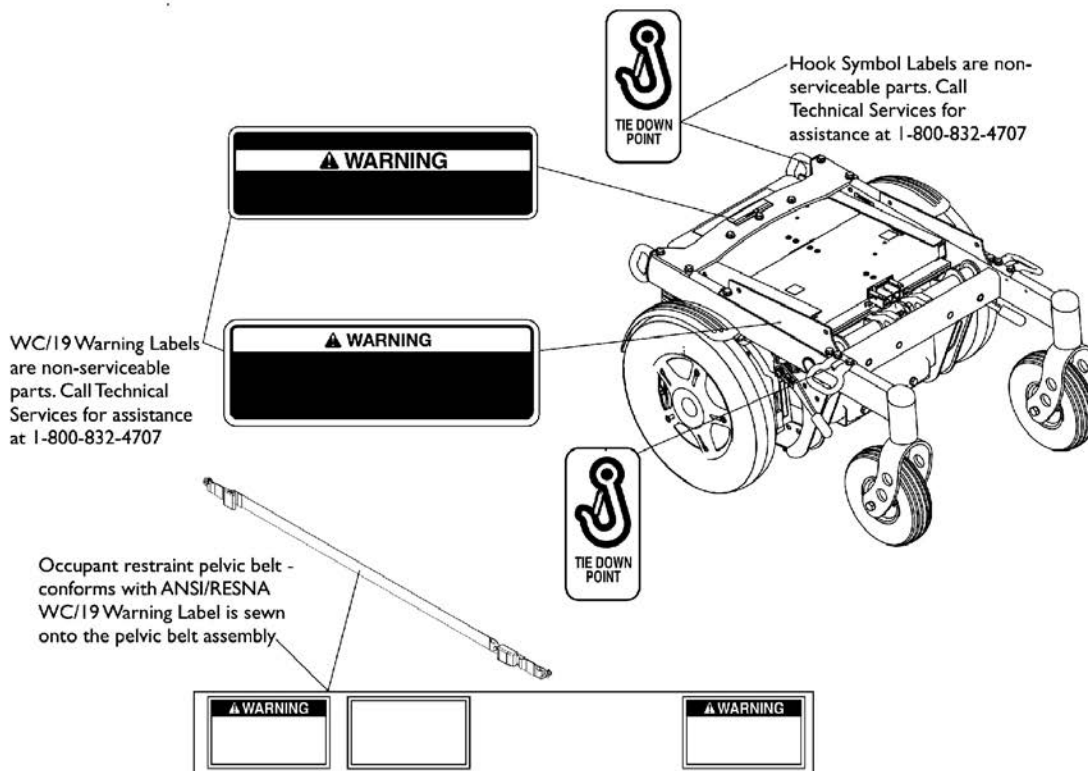
Packaging, Literature and Decals

Item Number	Note	Part Number	Description	Quantity Per	
				Package	Assembly
1	A	1030364	Carton, Cover	1	1
1	B	1031682	Carton, Cover	1	1
1	C	1036028	Carton, Cover	1	1
1	D	1030365	Carton, Cover	1	1
2		1043198-NLA	NLA - Tube, Paper	1	1
3		1015609-NLA	NLA - Bag, Poly (28" W x 44" D x 80" H)	1	1
4	H	1030362	Carton, Tray	1	2
4	I	1036027	Carton, Tray	1	2
5	K	See Note	See Footnote	1	1
6		1021149-NLA	NLA - Bag, Poly Zip-Lip (13" L x 9" W)	1	1
7	M	1134791-NLA	NLA - Owner's Manual, 3G Storm with MKIV Electronics	1	1
7	M	1143151-NLA	NLA - Owner's Manual, 3G Storm Base with MK6i Electronics	1	1
7	M	1143192-NLA	NLA - Owner's Manual, ADJASBA Seat with MK6i Electronics	1	1
7	M	1143195-NLA	NLA - Owner's Manual, Van Seat's with MK6i Electronics	1	1
8		00077X031-NLA	NLA - Warranty Card	1	1
9		50000X121	Strap, Battery Lift	1	1
10	N	1012001-NLA	NLA - Carton, Joystick	1	1
10		40131X011-NLA	NLA - Carton, Front Riggings	1	1
11		40131X161	Insert, Plain Pad	1	1
12		1035900	Decal, Transportation	1	1
13		1119281-NLA	NLA - Plate, Name, Patent Numbers	1	1
14		1133255	Decal, Torque SP, Yellow	1	2
14	L	1144627-NLA	NLA - Decal, Torque SP, Black	1	2
14		1146486-NLA	NLA - Decal, Torque SE, Yellow	1	2
14	L	1146487-NLA	NLA - Decal, Torque SE, Black	1	2
14		1133253-NLA	NLA - Decal, Yellow - Arrow	1	2
14	L	1144625-NLA	NLA - Decal, Black - Arrow Storm	1	2
14		1133254-NLA	NLA - Decal, Yellow - Ranger X	1	2
14	L	1144626-NLA	NLA - Decal, Black - Ranger X	1	2
15	A	1115174	Carton, Corner Reinforcement	1	2
15	B	1129589-NLA	Carton, Corner Reinforcement	1	2
15	C	1129590-NLA	Carton, Corner Reinforcement	1	2
	F,G	1104820-NLA	NLA - Package, Decal, Yellow - Torque SP	1	2
	F,G,L	1144630-NLA	NLA - Package, Decal, Black - Torque SP	1	2
		1146488-NLA	NLA - Package, Decal, Yellow - Torque SE	1	2
	F,G,L	1146489-NLA	NLA - Package, Decal, Black - Torque SE	1	2
	F,G	1104818-NLA	NLA - Package, Decal, Yellow - Arrow	1	2
	F,G,L	1144628-NLA	NLA - Package, Decal, Black - Arrow	1	2
	F,G	1104819-NLA	NLA - Package, Decal, Yellow - Ranger X	1	2
	F,G,L	1144629-NLA	NLA - Package, Decal, Black - Ranger X	1	2

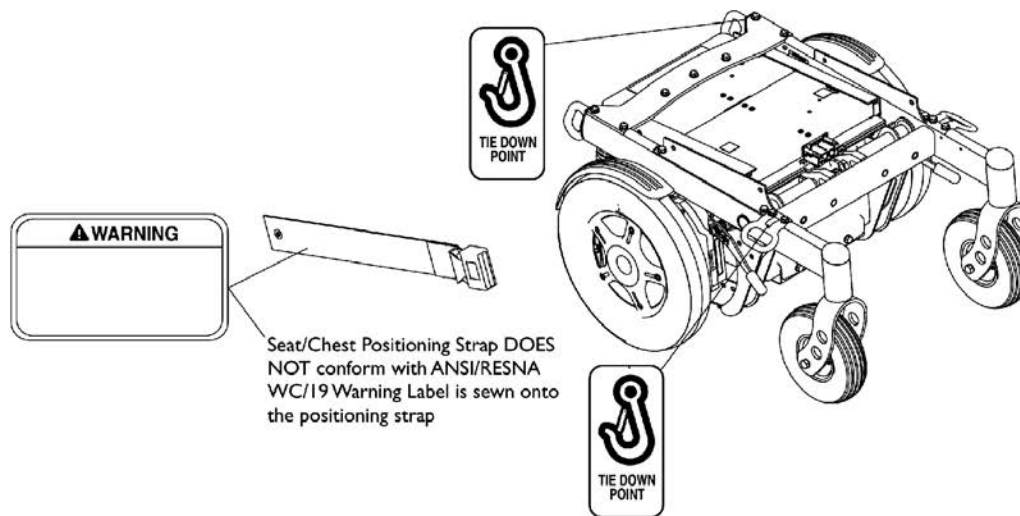
Packaging, Literature and Decals

Item Number	Note	Part Number	Description	Quantity Per	
				Package	Assembly
	E,G	1079515-NLA	NLA - Kit, T-Nut with Instruction Sheet	1	1
	G,J	1104863	Package, Cover, Frame Rail - Right/Left	6	1
<p>NOTE: A - 12" W - 20" W Non-Recliner, Extended and H.B. Captain Seats 18" W B - 16" W - 20" W Recliner and 16" W - 20" W Non-Recliner w/Medium/Tall Seat-to-Floor C - 21" W - 24" W Non-Recliner and Recliner, H.B. Captain Seat 22" W D - Base only and all A.S.B.A. seat only models E - Used with Storm base only F - Decal package includes model, transportation and patent numbers decals. G - Not Shown H - 12" W - 20" W Chairs and Base Only I - 21" W - 24" W Chairs J - 3 each Right and Left K - Skid not supplied L - Black Decal is used whenever frame color 30P, Sunny Yellow is ordered. M - Item is no longer available from the Invacare Service Parts Department. Refer to the Invacare Website under "Product Literature Search". Enter the part number in the "Keywords" field and download a free PDF version copy. N - Can use part #40131X011 for a Joystick also.</p> <p>NOTE: When adjusting or replacing parts, please refer to your Owner's Manual for assistance.</p>					

Label Locations For TRRO and TRBKTS Options



TRRO Option Label Locations



TRBKTS Option Label Locations

TRRO and TRBKTS Option Clarification Reference

TRRO and TRBKTS Option was introduced 12/19/05 as an On-Chair option only.

About Transport Ready Packages

TRRO includes four factory-installed transport brackets and a wheelchair anchored pelvic belt. **TRRO** has been crash-tested in accordance with ANSI/RESNA WC Vol. 1 Section 19 Frontal Impact Test requirements for wheelchairs with a 168 lb. Crash dummy, which corresponds to a person with weight of 114 to 209 lbs.

TRBKTS includes four factory-installed wheelchair transport brackets. **TRBKTS** has not been crash-tested in accordance with WC 19. Use these transport brackets only to secure an unoccupied wheelchair during transport.

Only use the transport brackets included with **TRRO** and **TRBKTS** for the purpose described in the appropriate Owner's Operator and Maintenance Manual.

Battery support brackets **MUST** be installed at all times. Otherwise, the wheelchair will not be WC/19 compliant. Refer to Removing/Installing the Batteries From/Into the Wheelchair in the appropriate Owner's Operator and Maintenance Manual.

As of this date, the Department of Transportation has not approved any tie-down systems for transportation of a user while in a wheelchair, in a moving vehicle of any type. It is Invacare's position that users of wheelchairs should be transferred into appropriate seating in vehicles for transportation and use be made of the restraints made available by the auto industry. Invacare cannot and does not recommend any wheelchair transportation systems.

NOTE: ANSI = American National Standards Institute, RESNA = Rehabilitation Engineering and Assistive Technology Society of North America.

Front Riggings Reference Chart

For AT5544, AT5044, 60HD, 70NHD, PW93, PW93E, 60MFX

NOTE: Calf pads with attaching hardware not included on legrest.

NOTE: Pivot/ Slide tube attaching hardware not included.

NOTE: Pivot/Slide tube and footplates do not include heel loops. See footrest and legrest accessories.

1651 = Composite footplate with 9-7/8" curved pivot/ slide tube.
AT5543 = Adjustable angle footplate with 9-7/8" straight pivot/ slide tube.
1450 = Deluxe aluminum footplate with "L" style pivot/ slide tube.
1350 = Extra large footplate with "L" style pivot/ slide tube.

Support Assemblies

Pivot/Slide tube and footplates are interchangeable with the support assemblies listed.

Rigging Type	AT5544	60HD	70NHD	PW93	PW93E	60MFX
Right	8881045291 See Note(s) A	8881053158 See Note(s) A	8881053149 See Note(s) A	8881070776 See Note(s) A	8881070768-NL A See Note(s) A	8881026998 See Note(s) A
Left	8881045292 See Note(s) A	8881053157 See Note(s) A	8881053148 See Note(s) A	8881070777 See Note(s) A	8881070769-NL A See Note(s) A	8881026999 See Note(s) A

NOTE: A - Specify frame color when ordering, see page titled "Frame Finishes and Touch-Up Paints".

Pivot/ Slide Tube and Footplates

Footplate Type	1651 13-14" W	1651 15-16" W	1651 17-24" W	1350 17-24" W	AT5543 12-13" W	AT5543 14-15" W	AT5543 16-24" W
Right	1057859	1057869	1057879	1026395	1060442	1060444	1062756
Left	1057860	1057870	1057880	1026396	1060443	1060445	1062757

Front Riggings Reference Chart

For AT5544, AT5044, 60HD, 70NHD, PW93, PW93E, 60MFX

2" Longer Pivot/ Slide Tube and Footplates

Footplate Type	1651 13-14" W	1651 15-16" W	1651 17-24" W	1350 17-24" W	AT5543 12-13" W	AT5543 14-15" W	AT5543 16-24" W
Right	1057861	1057871	1057881	1086515	N/A	1062758	1062760
Left	1057862-NLA	1057872	1057882	1086517	N/A	1062759	1062761

4" Longer Pivot/ Slide Tube and Footplates

Footplate Type	1651 13-14" W	1651 15-16" W	1651 17-24" W	1350 17-24" W	AT5543 12-13" W	AT5543 14-15" W	AT5543 16-24" W
Right	1058419-NLA	1058421	1058423	1086516	N/A	1121138-NLA	1121140
Left	1058420-NLA	1058422	1058424	1086518	N/A	1121139-NLA	1121141

Support Assembly

Rigging Type	AT5544
Right	8881045291 See Note(s) A
Left	8881045292 See Note(s) A

NOTE: A - Specify frame color when ordering, see page titled Frame Finishes and Touch-Up Paints.

Pivot/ Slide Tube and Footplates

Footplate Type	1450 16-24" W
Right	1028723-NLA
Left	1028724-NLA

Front Riggings Reference Chart
For AT5544, AT5044, 60HD, 70NHD, PW93, PW93E, 60MFX
Support Assemblies - AT5044

Rigging Type	AT5044
Right	8881128698 See Note(s) A
Left	8881128699 See Note(s) A

NOTE: A - Specify frame color when ordering, see page titled "Frame Finishes and Touch-Up Paints".

Pivot/ Slide Tube and Footplates For AT5044

Footplate Type	1651 14" W	1651 15-16" W	1651 17-24" W	AT5543 14-15" W	AT5543 16-17" W	AT5543 18-24" W
Right	1132078	1132080	1132082	1132061	1132063	1132065
Left	1132079	1132081	1132083	1132062	1132064	1132066
Right 2" Longer	1132107	1132109	1132111	1132089	1132091	1132093
Left 2" Longer	1132108-NLA	1132110	1132112	1132090	1132092	1132094

Front Riggings Reference Chart

For P904, PAL4A, PAS4A

NOTE: Calf pads with attaching hardware not included on legrest.

NOTE: Pivot/Slide tube attaching hardware not included.

NOTE: Pivot/Slide tube and footplates do not include heel loops. See footrest and legrest accessories.

1650 = Aluminum footplate with "L" style pivot/slide tube.
AT5543 = Adjustable angle footplate with 9-7/8" straight pivot/slide tube.
1450 = Deluxe aluminum footplate with "L" style pivot/slide tube.
1350 = Extra large footplate with "L" style pivot/slide tube.

Support Assembly

Pivot/Slide tube and footplates are interchangeable with the support assemblies listed.

Rigging Type	P904
Right	8881058646-NLA See Note(s) A
Left	8881058647-NLA See Note(s) A

NOTE: A - Specify Frame Color when ordering, see page titled "Frame Color and Touch-Up Paint".

Pivot/Slide Tube and Footplates

Footplate Type	1650 14-15" W	1650 16-24" W	1450 16-24" W	1350 17-24" W	AT5543 14-15" W	AT5543 16-24" W
Right	1058612-NLA	1058604	1028723-NLA	1058830	1060444	1062756
Left	1058613-NLA	1058605	1028724-NLA	1058831	1060445	1062757

Front Riggings Reference Chart

For P904, PAL4A, PAS4A

2" Longer Pivot/Slide Tube and Footplates

Footplate Type	1650 14-15" W	1650 16-24" W	1450 16-24" W	1350 17-24" W	AT5543 14-15" W	AT5543 16-24" W
Right	N/A	1086529-NLA	N/A	1086541-NLA	1062758	1062760
Left	N/A	1086531-NLA	N/A	1086551-NLA	1062759	1062761

4" Longer Pivot/Slide Tube and Footplates

Footplate Type	1650 14-15" W	1650 16-24" W	1450 16-24" W	1350 17-24" W	AT5543 14-15" W	AT5543 16-24" W
Right	N/A	1086530-NLA	N/A	1086542-NLA	N/A	N/A
Left	N/A	1086532-NLA	N/A	1086552-NLA	N/A	N/A

Support Assembly

Pivot/Slide tube and footplates are interchangeable with the support assemblies listed.

Rigging Type	PAL4A/PAS4A (Chrome Only)
Right	1058482-NLA
Left	1058483-NLA

Pivot/Slide Tube and Footplates

Footplate Type	1650 14-15" W	1650 16-24" W	1450 16-24" W	1350 17-24" W	AT5543 14-15" W	AT5543 16-24" W
Right	1023905-NLA	1023907	1023924-NLA	1035456	1091775-NLA	1091777-NLA
Left	1023906-NLA	1023908	1023925-NLA	1035457	1091776-NLA	1091778-NLA

Front Riggings Reference Chart

For P93M

NOTE: Pivot/Slide tube attaching hardware not included.

NOTE: Pivot/Slide tube and footplates do not include heel loops. See footrest and legrest accessories.

1650 = Aluminum footplate with "L" style pivot/slide tube.
1450 = Deluxe aluminum footplate with "L" style pivot/slide tube.
1350 = Extra large footplate with "L" style pivot/slide tube.

Support Assemblies

Pivot/Slide tube and footplates are interchangeable with the support assemblies listed.

Rigging Type	P93M
Right	8881037836-NLA See Note(s) A
Left	8881037837-NLA See Note(s) A

NOTE: A - Specify frame color when ordering, see page titled "Frame Finishes and Touch-Up Paints".

Pivot/Slide Tube and Footplates

Footplate Type	1650 14-15" W	1650 16-24" W	1450 16-24" W	1350 17-24" W
Right	1058573-NLA	1057969-NLA	1028892-NLA See Note(s) A	1031924-NLA
Left	1058574-NLA	1057970-NLA	1028893-NLA See Note(s) A	1031925-NLA
Complete 93BK Footrest Assembly w/ 1450 Deluxe Aluminum Footplate and Heel Loop attached. (sold complete) - Right	N/A	N/A	02303X107-NLA See Note(s) B	N/A
Complete 93BK Footrest Assembly w/ 1450 Deluxe Aluminum Footplate and Heel Loop attached. (sold complete) - Left	N/A	N/A	02303X108-NLA See Note(s) B	N/A

Front Riggings Reference Chart

For P93M

NOTE: A - No longer available as a service part individually. Order as a replacement part number 02303X107 Right and 02303X108 Left Footrest Assembly complete.
B - Not Shown. Includes a Footrest Support Assembly, Pivot/Slide Tube w/ Deluxe Aluminum Footplate (1450) and Heel Loop attached. Items are sold complete. Covers 16-20" wide models.

Front Riggings Reference Chart

For P93M

2" Longer Pivot/Slide Tube and Footplates

Footplate Type	1350 17-24" W
Right	1086519-NLA
Left	1086523-NLA

4" Longer Pivot/Slide Tube and Footplates

Footplate Type	1350 17-24" W
Right	1086520-NLA
Left	1086524-NLA

Front Riggings Reference Chart

For 70MFX and 90 SWING

NOTE: Footplates do not include heel loops. See footrest and legrest accessories.

AT5543 = Adjustable angle footplates without pivot/slide tubes.
AT5043 = Flip up footplates without pivot/slide tubes.

Support Assemblies

Footplate Assemblies are interchangeable with the support assemblies listed.

Rigging Type	70MFX
Right	8881047481 <small>See Note(s) A</small>
Left	8881047480 <small>See Note(s) A</small>

NOTE: A - Specify frame color when ordering, see page titled "Frame Finishes and Touch-Up Paints".

Support Assemblies

Footplate Assemblies are interchangeable with the support assemblies listed.

Rigging Type	90 SWING
Right	8881062596 <small>See Note(s) A</small>
Left	8881062597 <small>See Note(s) A</small>

NOTE: A - Specify frame color when ordering, see page titled "Frame Finishes and Touchup Paints".

Footplate Assemblies

Footplate Type	AT5043 12-16" W	AT5543 12-13" W	AT5543 14-15" W	AT5543 17-24" W
Right	1029434-NLA	1060436-NLA	1060438	1062570
Left	1029435-NLA	1060437	1060439	1062571

Front Riggings Reference Chart

For PW93ST and 70ST TAPER

NOTE: Pivot/Slide tube attaching hardware not included.

NOTE: Pivot/Slide tube and footplates do not include heel loops. See footrest and legrest accessories.

1651 = Composite footplate with 9-7/8" curved pivot/slide tube.

Support Assemblies

Pivot/Slide tube and footplates are interchangeable with the support assemblies listed.

Rigging Type	PW93ST
Right	8881070784-NLA See Note(s) A
Left	8881070785-NLA See Note(s) A

NOTE: A - Specify frame color when ordering, see page titled "Frame Finishes and Touch-Up Paints".

Support Assemblies

Pivot/Slide tube and footplates are interchangeable with the support assemblies listed.

Rigging Type	70ST TAPER
Right	8881026996 See Note(s) A
Left	8881026997 See Note(s) A

NOTE: A - Specify frame color when ordering, see page titled "Frame Finishes and Touch-Up Paints".

Pivot/Slide Tube and Footplates

Footplate Type	1651 15-17" W	1651 18-19" W	1651 20-24" W
Right	1057859	1057869	1057879
Left	1057860	1057870	1057880

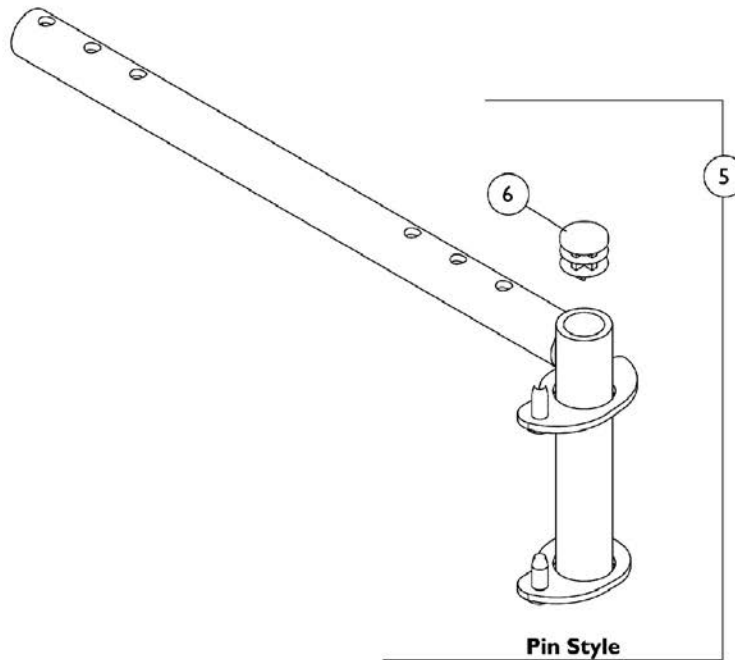
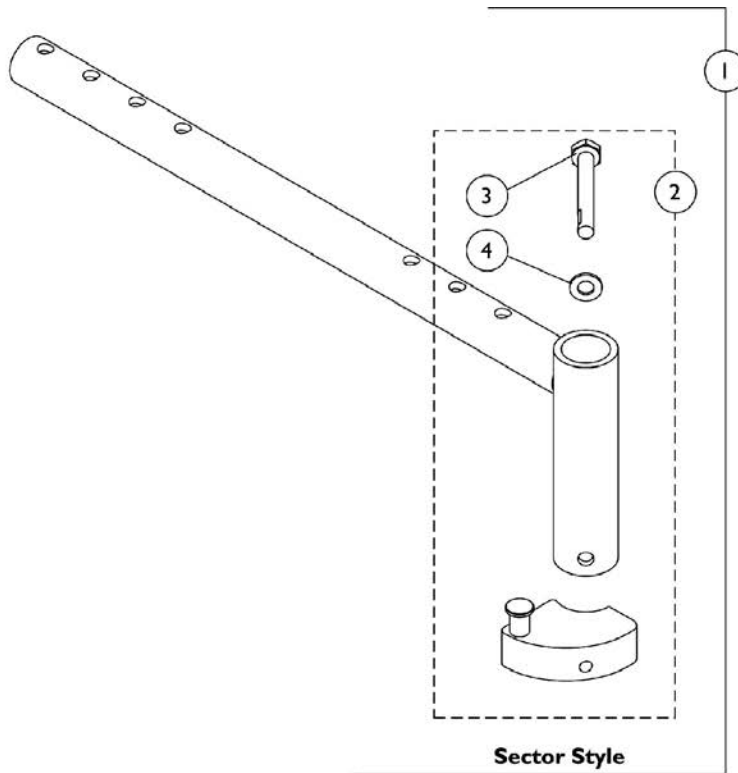
Front Riggings Reference Chart
For PW93ST and 70ST TAPER
2" Longer Pivot/Slide Tube and Footplates

Footplate Type	1651 15-17" W	1651 18-19" W	1651 20-24" W
Right	1057861	1057871	1057881
Left	1057862-NLA	1057872	1057882

Front Rigging Hanger Assembly

Pin & Sector Style For ASBA Seats (Before 7/5/05) and All Van Seats

NOTE: Front rigging hanger assemblies and seat pans share the same mounting hardware, see Seat Pan and Mounting Hardware page.



Front Rigging Hanger Assembly

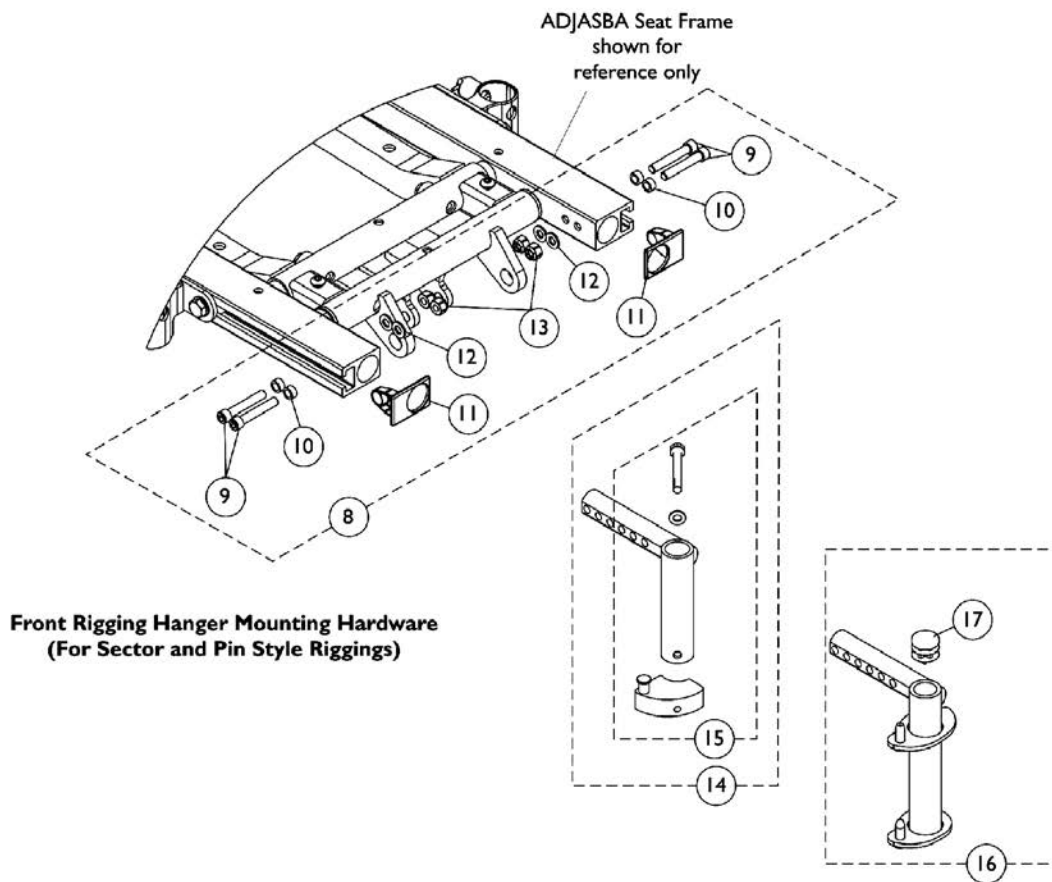
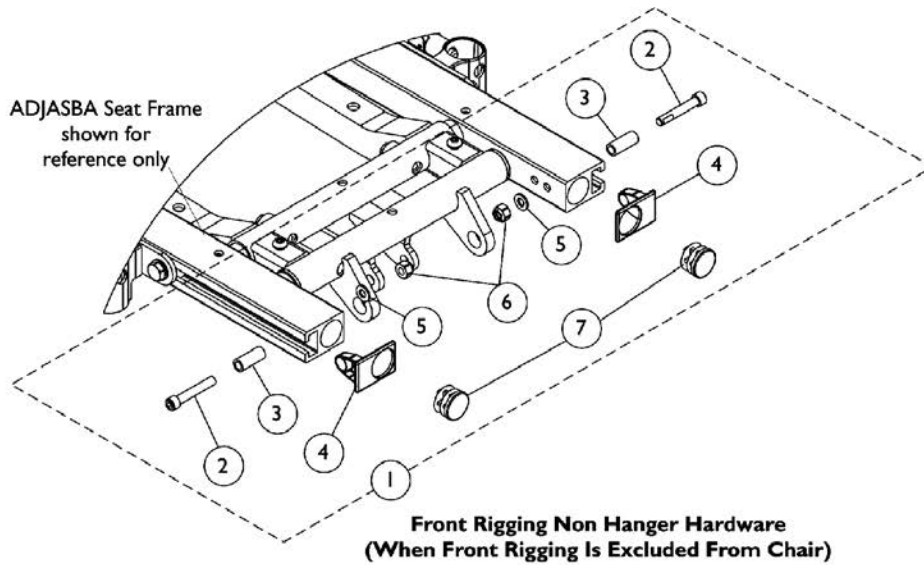
Pin & Sector Style For ASBA Seats (Before 7/5/05) and All Van Seats

NOTE: Front rigging hanger assemblies and seat pans share the same mounting hardware, see Seat Pan and Mounting Hardware page.

Item Number	Note	Part Number	Description	Quantity Per	
				Package	Assembly
1	A	1068435	Front Rigging Hanger Assembly w/ Sector Block, Black - Right (12 - 21" D)	1	1
1	A	1068436	Front Rigging Hanger Assembly w/ Sector Block, Black - Left (12 - 21" D)	1	1
1	A	1068437-NLA	NLA - Front Rigging Hanger Assembly w/ Sector Block, Black - Right (22" D)	1	1
1	A	1068438-NLA	NLA - Front Rigging Hanger Assembly w/ Sector Block, Black - Left (22" D)	1	1
2	B	1054571	Kit, Sector Block - Right	1	1
2	B	1054572	Kit, Sector Block - Left	1	1
3		1052957	Screw, Hex Head w/ Patch (1/4-20 x 2")	1	1
4		1026907	Washer (1/4 x 1/2 x 1/16")	1	1
5	C	1070356-NLA	NLA - Hanger Assembly, Front Rigging, Pin Style, Black - Right (12 - 21" D)	1	1
5	C	1070357-NLA	NLA - Hanger Assembly, Front Rigging, Pin Style, Black - Left (12 - 21" D)	1	1
5	C	1070358-NLA	NLA - Hanger Assembly, Front Rigging, Pin Style, Black - Right (22" D)	1	1
5	C	1070359-NLA	NLA - Hanger Assembly, Front Rigging, Pin Style, Black - Left (22" D)	1	1
6		1027097	Plug Button, Black (3/4")	1	1
NOTE: A - Includes item 2 B - Includes the sector block and items 3 and 4 C - Includes item 6					

Front Rigging Hangers and Hardware

Pin & Sector Style For ADJASBA (12"-16" Wide) (After 7/4/05)



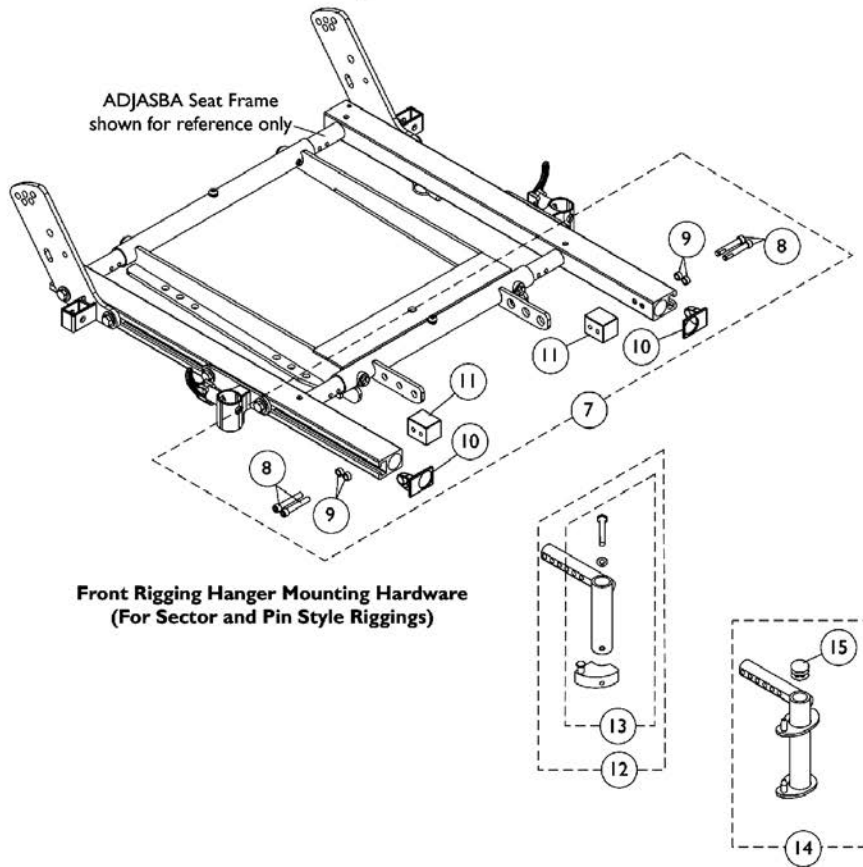
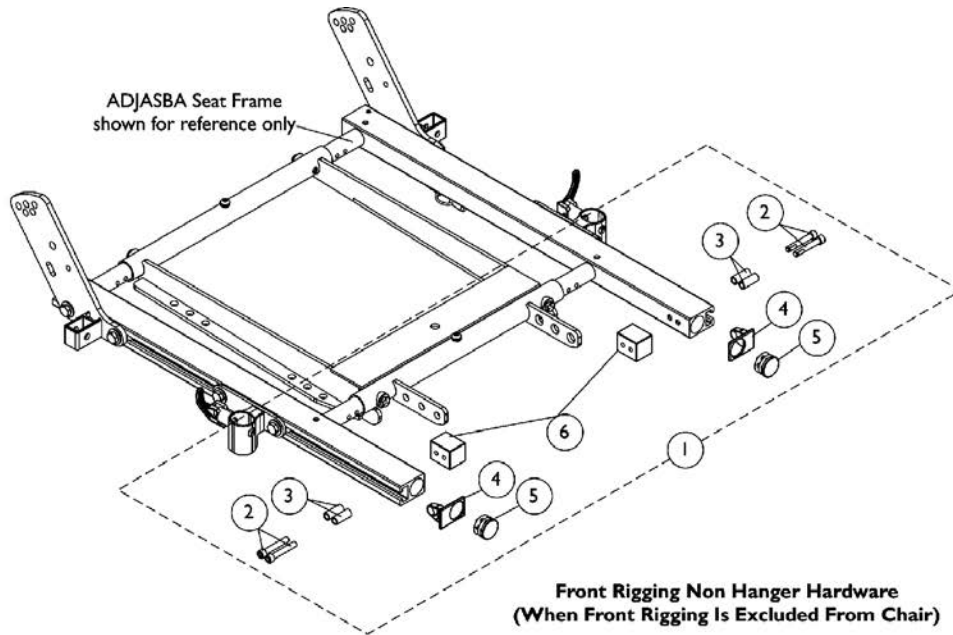
Front Rigging Hangers and Hardware

Pin & Sector Style For ADJASBA (12"-16" Wide) (After 7/4/05)

Item Number	Note	Part Number	Description	Quantity Per	
				Package	Assembly
1	A	1126150	Kit, Side Rail Cap Hardware	2	1
2			Screw, Socket Head Cap w/ Patch (1/4-20 x 1-1/2")	1	2
3			Spacer (1/4 x 3/8 x 29/32")	1	2
4			Cap, End, Side Rail, Black	1	2
5			Washer (1/4 x 1/2 x 1/16")	1	2
6			Locknut (1/4-20)	1	2
7			Plug Button, Black (7/8")	1	2
8	B	1136019	Kit, Front Rigging Hanger Mounting Hardware	2	1
9			Screw, Socket Head Cap w/ Patch (1/4-20 x 1-1/2")	1	4
10			NLA - Spacer (1/4 x 3/8 x 3/16")	1	4
11			Cap, End, Side Rail, Black	1	2
12			Washer (1/4 x 1/2 x 1/16")	1	4
13			Locknut (1/4-20)	1	4
14	C	1122602	Front Rigging Hanger Assembly w/ Sector Block, Black - Right	1	1
14	C	1122603	Front Rigging Hanger Assembly w/ Sector Block, Black - Left	1	1
15	D	1054571	Kit, Sector Block - Right	1	1
15	D	1054572	Kit, Sector Block - Left	1	1
16		1136006	Front Rigging Hanger Assembly w/ Plug Button, Pin Style, Adult, Black - Right	1	1
16		1136007	Front Rigging Hanger Assembly w/ Plug Button, Pin Style, Adult, Black - Left	1	1
17		1134426	Package, Plug Button, Black (3/4")	10	1
NOTE: A - Includes items 2-7 B - Includes items 9-13 C - Includes Front Rigging Hanger and item 15 D - Includes the Sector Block, Screw and Washer					

Front Rigging Hangers and Hardware

Pin & Sector Style For ADJASBA/ADJRECL (16"-24" Wide) (After 7/4/05)

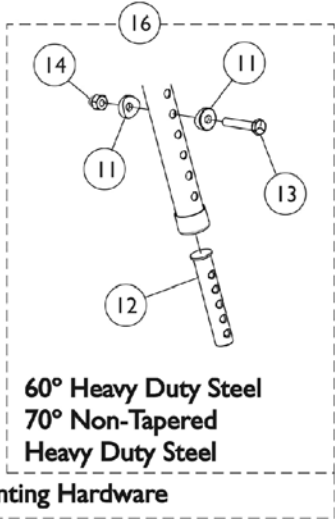
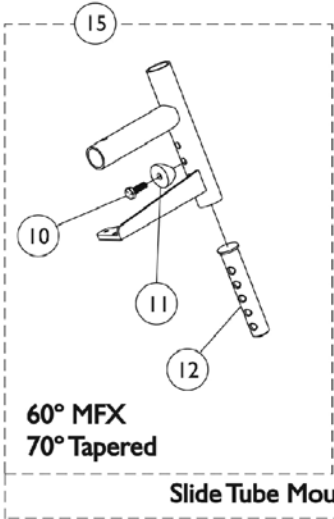
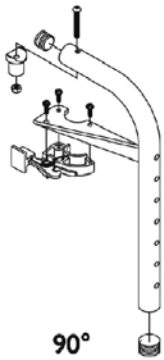
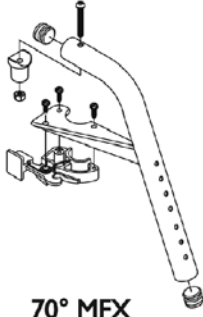
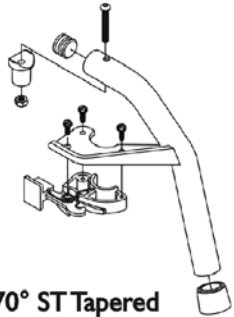
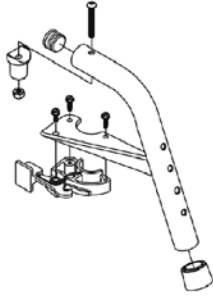
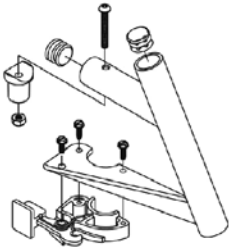
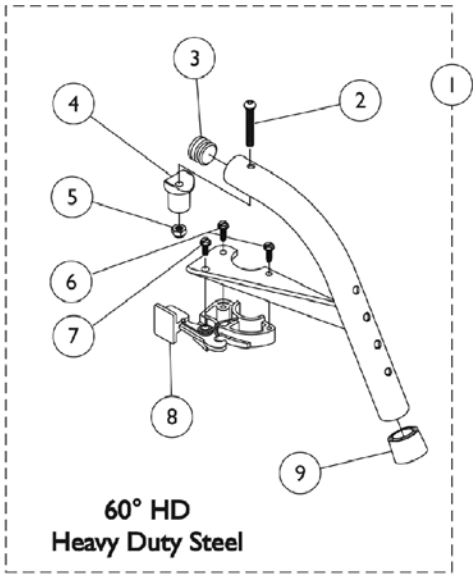


Front Rigging Hangers and Hardware

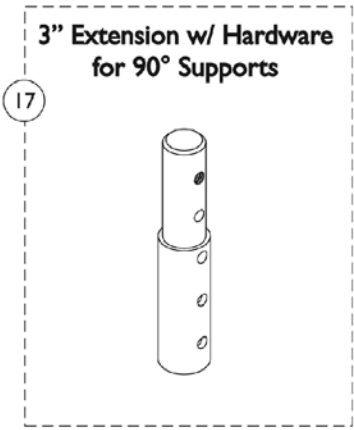
Pin & Sector Style For ADJASBA/ADJRECL (16"-24" Wide) (After 7/4/05)

Item Number	Note	Part Number	Description	Quantity Per	
				Package	Assembly
1	A	1124723	Kit, Side Rail Cap Hardware (Pair)	1	1
2			Screw, Socket Head Cap w/ Patch (1/4-20 x 1-1/2")	1	4
3			Spacer (1/4 x 3/8 x 29/32")	1	4
4			Cap, End, Side Rail, Black	1	2
5			Plug Button, Black (1")	1	2
6			Block, Threaded	1	2
7	B	1125726	Kit, Front Rigging Hanger Mounting Hardware (Pair)	1	1
8			Screw, Socket Head Cap w/ Patch (1/4-20 x 1-1/2")	1	4
9			NLA - Spacer (1/4 x 3/8 x 3/16")	1	4
10			Cap, End, Side Rail, Black	1	2
11			Block, Threaded	1	2
12	C	1122602	Front Rigging Hanger Assembly w/ Sector Block, Black - Right	1	1
12	C	1122603	Front Rigging Hanger Assembly w/ Sector Block, Black - Left	1	1
13	D	1054571	Kit, Sector Block - Right	1	1
13	D	1054572	Kit, Sector Block - Left	1	1
14		1136006	Front Rigging Hanger Assembly w/ Plug Button, Pin Style, Adult, Black - Right	1	1
14		1136007	Front Rigging Hanger Assembly w/ Plug Button, Pin Style, Adult, Black - Left	1	1
15		1134426	Package, Plug Button, Black (3/4")	10	1
NOTE: A - Includes items 2-6 B - Includes items 8-11 C - Includes Front Rigging Hanger and item 13 D - Includes the Sector Block, Screw and Washer					

Footrest Support Assemblies Sector Style



Slide Tube Mounting Hardware



Footrest Support Assemblies Sector Style

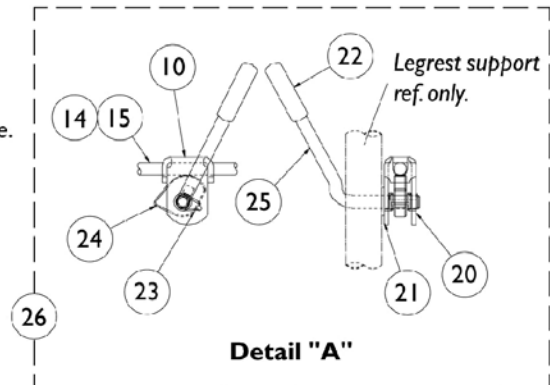
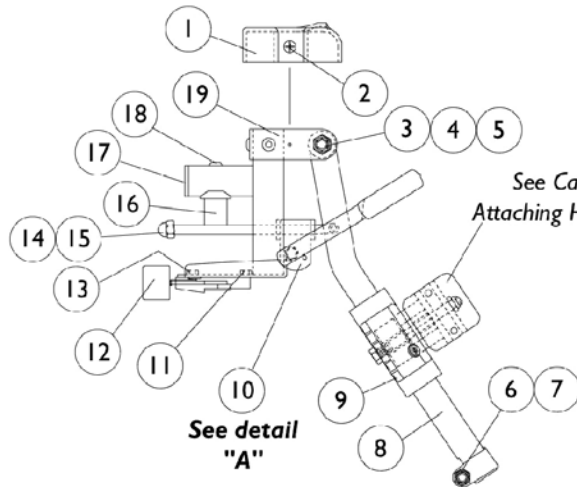
Item Number	Note	Part Number	Description	Quantity Per	
				Package	Assembly
1	A,C	8881053158	Footrest Support Assembly, 60 Degree Heavy Duty, Sector, Color - Right	1	1
1	A,C	8881053157	Footrest Support Assembly, 60 Degree Heavy Duty, Sector, Color - Left	1	1
1	A,D	8881026998	Footrest Support Assembly, 60 Degree MFX, Sector, Color - Right	1	1
1	A,D	8881026999	Footrest Support Assembly, 60 Degree MFX, Sector, Color - Left	1	1
1	A,C	8881053149	Footrest Support Assembly, 70 Degree Non-Tapered Heavy Duty, Sector, Color - Right	1	1
1	A,C	8881053148	Footrest Support Assembly, 70 Degree Non-Tapered Heavy Duty, Sector, Color - Left	1	1
1	A,D	8881026996	Footrest Support Assembly, 70 Degree Tapered, Sector, Color - Right	1	1
1	A,D	8881026997	Footrest Support Assembly, 70 Degree, Tapered, Sector, Color - Left	1	1
1	A,D	8881047481	Footrest Support Assembly, 70 Degree MFX, Sector, Color - Right	1	1
1	A,D	8881047480	Footrest Support Assembly, 70 Degree MFX, Sector, Color - Left	1	1
1	A,D	8881062596	Footrest Support Assembly, 90 Degree, Sector, Color - Right	1	1
1	A,D	8881062597	Footrest Support Assembly, 90 Degree, Sector, Color - Left	1	1
2		1001762	Screw, Socket Button Head (1/4-20 x 1-3/4")	1	1
3	G	1029501	Plug Button, Black (1")	1	1
3	G	1056328	Plug Button, Black (1")	1	1
4		1017148	Pivot, Footrest	1	1
5		1025736	Locknut (1/4-20)	1	1
6		1025451	Screw, Slotted Hex Washer Head (#10-32 x 5/8")	1	2
7		1017423	Screw, Slotted Hex Washer Head w/ Patch (#10-32 x 1/2")	1	1
8		1025454	Housing, Latch - Right	1	1
8		1025455	Housing, Latch - Left	1	1
9		1026124	Collar, Anti-Rattle	1	1
10		1045267	Screw, Hex Head w/ Patch (1/4-20 x 3/4")	1	1
11	B	1026099	Spacer, Coved (1/4 x 11/16 x 1/2")	1	1
12	F	1020534	Insert, Threaded	1	1
13		1070759	Screw, Hex Head (1/4-20 x 1-1/2")	1	1
14		1044214	Nut, Hex with Nylon Cap (1/4-20)	1	1
15		1026703	Kit, Pivot/Slide Tube Mounting Hardware (Pair)	1	1
16		1057846	Kit, Pivot/Slide Tube Mounting Hardware (Pair)	1	1
17	A	8881038231	Kit, 3" Extension w/ Hardware (Pair)	1	1
	E	1026987	Guard, Impact (8" L)	1	1

Footrest Support Assemblies

Sector Style

NOTE: A - Specify frame color when ordering. See page titled "Frame Finishes and Touch-Up Paints."
B - Item 16 takes 2
C - Uses Item Number 3, Plug Button 1029501
D - Uses Item Number 3, Plug Button 1056328
E - Not Shown. For 70 deg. Tapered Footrest.
F - As of 8/15/03, the Threaded Insert was revised from 3 to 5 Holes. Threaded Insert is Backward Compatible and does not require ordering in Pairs.
G - See item #1 footnote C or D for Front Rigging Plug Button usage.

AT5544 Legrest Support Assembly (Sector Style) 12"-24" Wide Chairs



AT5544 Legrest Support Assembly (Sector Style) 12"-24" Wide Chairs

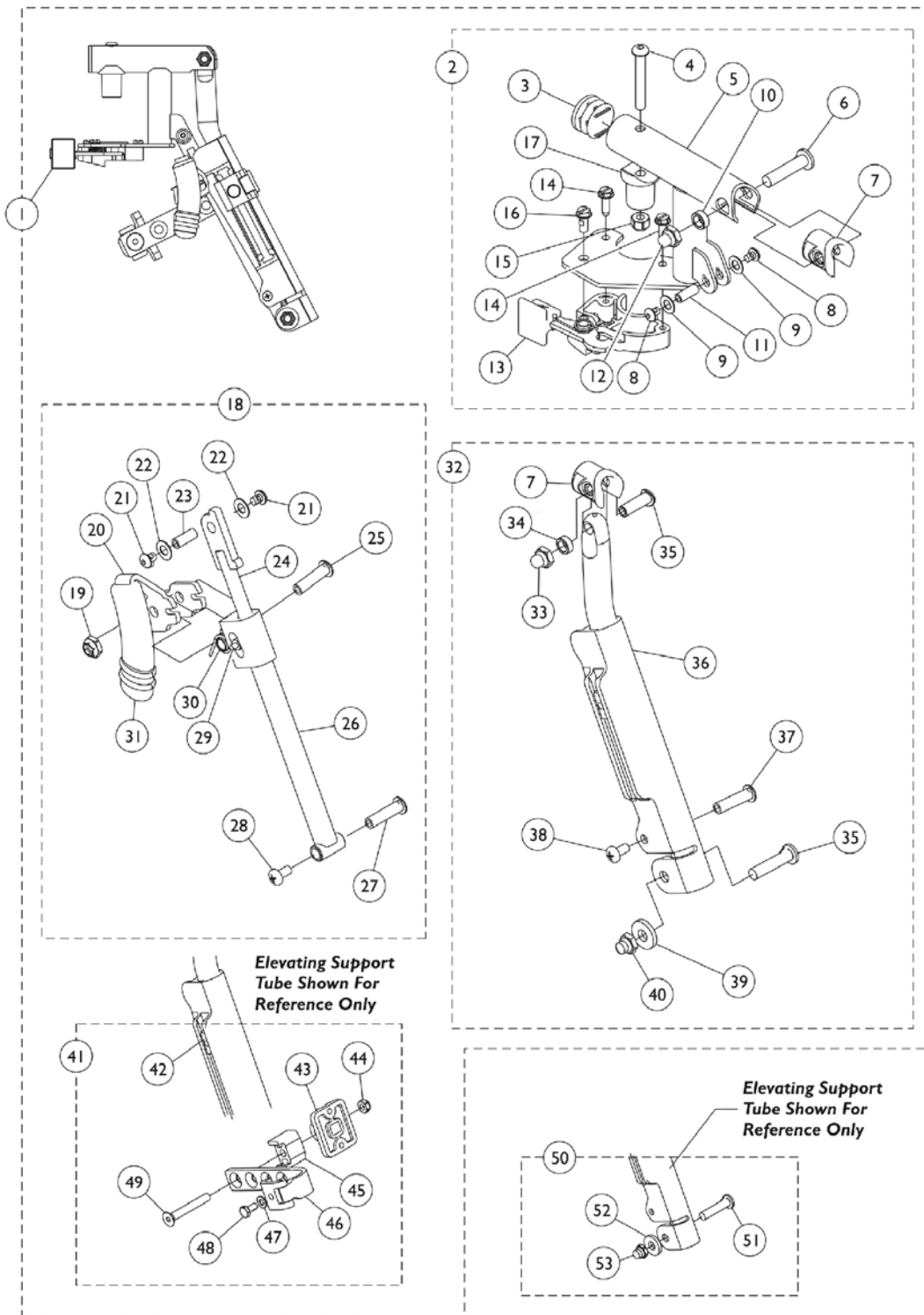
Item Number	Note	Part Number	Description	Quantity Per	
				Package	Assembly
1		1017187	Cover, Top	1	1
2		1028529	Screw, Phillips Pan Head (#8-32 x 3/8")	1	2
3		40363X000	Hex Nut (3/8"-16)	1	1
4		1058636-NLA	NLA - Washer, Nylon (25/64 x 7/8 x 1/32")	1	2
5		11919X000-NLA	NLA - Screw, Slotted Truss Head (3/8-16 x 1-1/2")	1	1
6		7930330-NLA	NLA - Locknut (5/16-24)	25	3
7		1026030	Bolt, Lug (5/16-24 x 1-3/8")	1	1
8		1043556-NLA	NLA - Tube, Elevating Adjustable Support, Black - Right	1	1
8		1043557-NLA	NLA - Tube, Elevating Adjustable Support, Black - Left	1	1
8	A	8881048851	Tube, Elevating Adjustable Support, Color - Right	1	1
8	A	8881048852	Tube, Elevating Adjustable Support, Color - Left	1	1
9		1032266	Bracket, Legrest Pad Mounting, Black	1	1
10		04528X002	Bracket, Release, Black	1	1
11		1025451	Screw, Slotted Hex Washer Head (#10-32 x 5/8")	1	2
12		1025454	Housing, Latch - Right	1	1
12		1025455	Housing, Latch - Left	1	1
13		7930314	Package, Screw, Slotted Hex Washer Head (#10-32 x 1/2")	25	1
14		42326X001	Bar, Ratchet	1	1
15		7930336-NLA	NLA - Nut, Acorn (5/16-24)	25	1
16		1017148	Pivot, Footrest	1	1
17		1029501	Plug Button, Black (1")	1	1
18		7930301-NLA	NLA - Package, Button Head Cap Screw (1/4-20 x 1-3/4")	25	1
19	A	8881045289	Bracket, Legrest Support, Color - Right	1	1
19	A	8881045290	Bracket, Legrest Support, Color - Left	1	1
20		1040831	Ring, Snap	1	1
21		7930310-NLA	NLA - Washer, Nylon (5/16 x 11/16 x 1/16")	25	1
22		1040060	Tip, Plastic, Black	1	1
23		1037485	Spring, Release	1	1
24		1037125	Cam, Legrest	1	1
25		1037126	Handle, Release	1	1
26	B	1096974	Kit, Elevating Legrest Ratchet Hardware (Pair)	2	1
	C,D	1096943-NLA	NLA - Instruction Sheet, Ratchet Kit	1	1
	A,C	8881045291	Legrest Support Assembly, Sector, Color - Right	1	1
	A,C	8881045292	Legrest Support Assembly, Sector, Color - Left	1	1

NOTE: A - Specify frame color when ordering. See page titled "Frame Finishes and Touch-Up Paints".
B - Includes items 10, 14, 15 and 20-25
C - Not Shown
D - Item is no longer available from the Invacare Service Parts Department. Refer to the Invacare Website under "Product Literature Search". Enter the part number in the "Keywords" field and download a free PDF version copy.

Legrest Support Assembly AT5044

Wedge Style ("D" shaped tubing)

Specify frame color when ordering. Legrest Support does not include Legrest Pad.



Legrest Support Assembly AT5044

Wedge Style ("D" shaped tubing)

Specify frame color when ordering. Legrest Support does not include Legrest Pad.

Item Number	Note	Part Number	Description	Quantity Per	
				Package	Assembly
1	A,G	8881128698	Legrest Support Assembly, Sector, Color - Right	1	1
1	A,G	8881128699	Legrest Support Assembly, Sector, Color - Left	1	1
2	B	8881130747	Legrest Support Tube Assembly, Sector, Color - Right	1	1
3			Plug Button, Black (1")	1	1
4			Screw, Socket Button Head (1/4-20 x 1-3/4")	1	1
5			Tube, Legrest Support, Sector, Color - Right	1	1
6			Bolt, Lug (5/16-24 x 1-3/8")	1	1
7			Plug, Insert (7/8")	1	1
8			Screw, Socket Button Head w/ Patch (#10-32 x 1/4")	1	2
9			Washer (1/4 x 1/2 x 1/32")	1	2
10			Spacer (5/16 x 1/2 x 3/16")	1	1
11			Spacer, Threaded (10-32 x 1/4 x 5/8")	1	1
12			Nut, Low Cap (5/16"-24)	1	1
13			Housing, Latch - Right	1	1
14			Screw, Slotted Hex Washer Head (#10-32 x 5/8")	1	2
15			Locknut (1/4-20)	1	1
16			Screw, Slotted Hex Washer Head w/ Patch (#10-32 x 1/2")	1	1
17			Pivot, Footrest	1	1
3		1140823	Package, Plug Button, Black (1")	10	1
2	B	8881130748	Legrest Support Tube Assembly, Sector, Color - Left	1	1
3			Plug Button, Black (1")	1	1
4			Screw, Socket Button Head (1/4-20 x 1-3/4")	1	1
5			Tube, Legrest Support, Sector, Color - Left	1	1
6			Bolt, Lug (5/16-24 x 1-3/8")	1	1
7			Plug, Insert (7/8")	1	1
8			Screw, Socket Button Head w/ Patch (#10-32 x 1/4")	1	2
9			Washer (1/4 x 1/2 x 1/32")	1	2
10			Spacer (5/16 x 1/2 x 3/16")	1	1
11			Spacer, Threaded (10-32 x 1/4 x 5/8")	1	1
12			Nut, Low Cap (5/16"-24)	1	1
13			Housing, Latch - Left	1	1
14			Screw, Slotted Hex Washer Head (#10-32 x 5/8")	1	2
15			Locknut (1/4-20)	1	1
16			Screw, Slotted Hex Washer Head w/ Patch (#10-32 x 1/2")	1	1
17			Pivot, Footrest	1	1
3		1140823	Package, Plug Button, Black (1")	10	1
18	C	1130749	Kit, Pivot Rod Assembly - Right	1	1

Legrest Support Assembly AT5044

Wedge Style ("D" shaped tubing)

Specify frame color when ordering. Legrest Support does not include Legrest Pad.

Item Number	Note	Part Number	Description	Quantity Per	
				Package	Assembly
19			NLA - Locknut (1/4-20)	1	1
20			Lever, Release - Right	1	1
21			Screw, Socket Button Head w/ Patch (#10-32 x 1/4")	1	2
22			Washer (1/4 x 1/2 x 1/32")	1	2
23			Spacer, Threaded (10-32 x 1/4 x 5/8")	1	1
24			Rod, Pivot	1	1
25			NLA - Screw, Socket Button Head (1/4-20 x 1-1/4")	1	1
26			Guide, Pivot Rod	1	1
27			Rivnut (10-32 x 1")	1	1
28			NLA - Screw, Phillips Pan Head w/Patch (#10-24 x 3/8")	1	1
29			Pin, Roller	1	1
30			Spring, Torsion	1	1
31			Cap, Brake Lever End, Black	1	1
31		1130584	Package, Cap, Brake Lever End, Black	10	1
18	C	1130750	Kit, Pivot Rod Assembly - Left	1	1
19			NLA - Locknut (1/4-20)	1	1
20			Lever, Release - Left	1	1
21			Screw, Socket Button Head w/ Patch (#10-32 x 1/4")	1	2
22			Washer (1/4 x 1/2 x 1/32")	1	2
23			Spacer, Threaded (10-32 x 1/4 x 5/8")	1	1
24			Rod, Pivot	1	1
25			NLA - Screw, Socket Button Head (1/4-20 x 1-1/4")	1	1
26			Guide, Pivot Rod	1	1
27			Rivnut (10-32 x 1")	1	1
28			NLA - Screw, Phillips Pan Head w/Patch (#10-24 x 3/8")	1	1
29			Pin, Roller	1	1
30			Spring, Torsion	1	1
31			Cap, Brake Lever End, Black	1	1
31		1130584	Package, Cap, Brake Lever End, Black	10	1
32	D	8881164115-NL A	NLA - Kit, Elevating Support Tube, Color - Right	1	1
7			Plug, Insert (7/8")	1	1
33			Locknut, Nylon Cap (5/16-24)	1	1
34			Spacer (5/16 x 1/2 x 3/16")	1	1
35			Bolt, Lug (5/16-24 x 1-3/8")	1	1
36			Tube, Elevating Support, Color - Right	1	1
37			Rivnut, Phillips Pan Head (10-24 x 1")	1	1
38			Screw, Phillips Pan Head w/ Patch (10-24 x 3/8")	1	1
39			Washer (#20)	1	1

Legrest Support Assembly AT5044

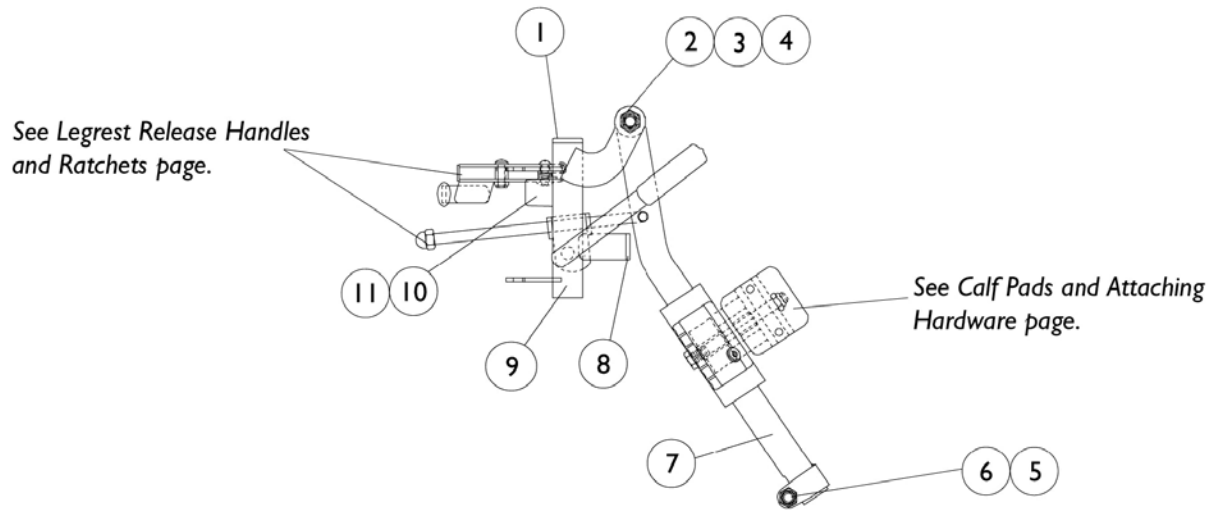
Wedge Style ("D" shaped tubing)

Specify frame color when ordering. Legrest Support does not include Legrest Pad.

Item Number	Note	Part Number	Description	Quantity Per	
				Package	Assembly
40			Locknut, Nylon Cap (5/16-24)	1	1
32	D	8881164116-NL	NLA - Kit, Elevating Support Tube, Color - Left	1	1
		A			
7			Plug, Insert (7/8")	1	1
33			Locknut, Nylon Cap (5/16-24)	1	1
34			Spacer (5/16 x 1/2 x 3/16")	1	1
35			Bolt, Lug (5/16-24 x 1-3/8")	1	1
36			Tube, Elevating Support, Color - Left	1	1
37			Rivnut, Phillips Pan Head (10-24 x 1")	1	1
38			Screw, Phillips Pan Head w/ Patch (10-24 x 3/8")	1	1
39			Washer (#20)	1	1
40			Locknut, Nylon Cap (5/16-24)	1	1
41	E	1130754	Kit, Legrest Pad Hardware	1	1
42			T-Nut (1/4-20)	1	1
43			Plate, Legrest Pad	1	1
44			Locknut (5/16-18)	1	1
45			Spacer, Legrest Pad, Black	1	1
46			Bracket Assembly, Adjustable Legrest Pad, Color	1	1
47			NLA - Washer, Steel (1/4 x 1/2 x 3/64")	1	1
48			Screw, Hex Head w/ Patch (1/4-20 x 1/2")	1	1
49			Screw, Socket Flat Head (5/16-18 x 2-1/4")	1	1
50	F	1130753	Kit, Pivot Slide Tube Attaching Hardware	1	1
51			Bolt, Lug (5/16-24 x 1-3/8")	1	1
52			Washer (#20)	1	1
53			Locknut, Nylon Cap (5/16-24)	1	1
		1151367	Kit, Housing Latch Handle w/Hardware - Right	1	1
13			Housing, Latch - Right	1	1
14			Screw, Slotted Hex Washer Head (#10-32 x 5/8")	1	2
16			Screw, Slotted Hex Washer Head w/ Patch (#10-32 x 1/2")	1	1
		1151368	Kit, Housing Latch Handle w/Hardware - Left	1	1
13			Housing, Latch - Left	1	1
14			Screw, Slotted Hex Washer Head (#10-32 x 5/8")	1	2
16			Screw, Slotted Hex Washer Head w/ Patch (#10-32 x 1/2")	1	1

NOTE: A - Includes items 2, 18, 32, and 41. Specify frame color when ordering this item.
 B - Includes items 3 thru 17. Specify frame color when ordering this item.
 C - Includes items 19 thru 31.
 D - Includes items 7 and 33 thru 40. Specify frame color when ordering this item.
 E - Includes items 42 thru 49.
 F - Includes items 51 thru 53.
 G - Includes items 13, 14 and 16.

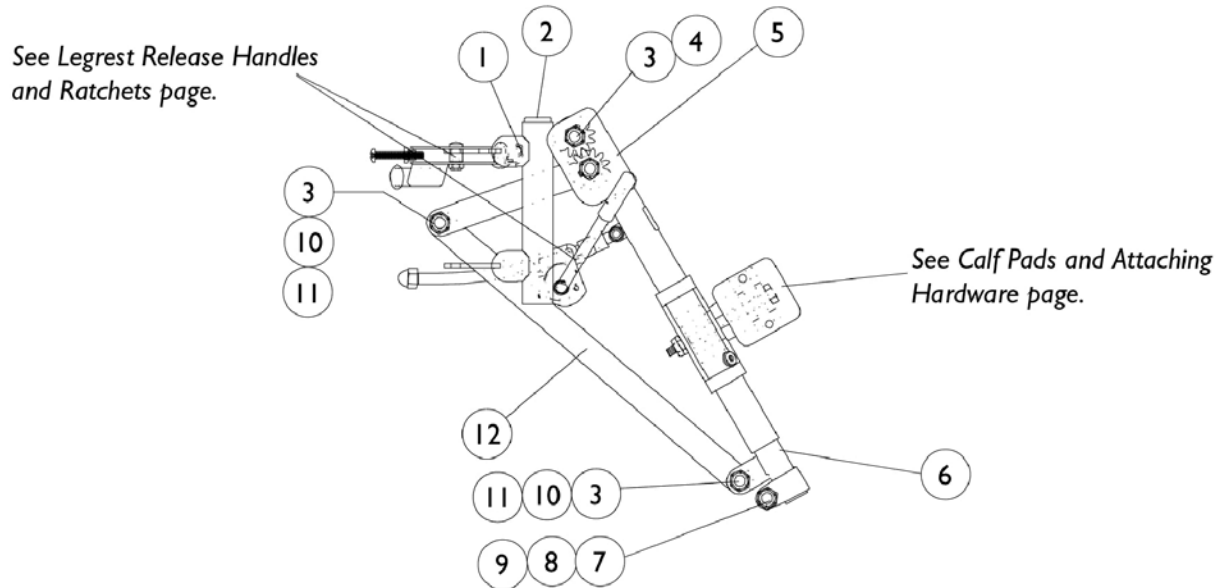
P904A Legrest Support Assembly (Pin Style) Color 14"-24" Wide Chairs



Item Number	Note	Part Number	Description	Quantity Per	
				Package	Assembly
1		1027095	Plug Button, Black (7/8")	1	1
2		11919X000-NLA	NLA - Screw, Slotted Truss Head (3/8-16 x 1-1/2")	1	1
3		1058636-NLA	NLA - Washer, Nylon (25/64 x 7/8 x 1/32")	1	2
4		40363X000	Hex Nut (3/8"-16)	1	1
5		7930330-NLA	NLA - Locknut (5/16-24)	25	3
6		1026030	Bolt, Lug (5/16-24 x 1-3/8")	1	1
7	A	8881048851	Tube, Elevating Adjustable Support, Color - Right	1	1
7	A	8881048852	Tube, Elevating Adjustable Support, Color - Left	1	1
8		1027097	Plug Button, Black (3/4")	1	1
9	A	8881058664-NL A	NLA - Tube, Legrest Support, Color - Right	1	1
9	A	8881058665-NL A	NLA - Tube, Legrest Support, Color - Left	1	1
10		1022874	Bumper	1	1
11		1030979	Screw, Phillips Pan Head Tap (#10-32 x 3/4")	1	1
	A,B	8881058646-NL A	NLA - Legrest Support Assembly, Adult, Color - Right	1	1
	A,B	8881058647-NL A	NLA - Legrest Support Assembly, Adult, Color - Left	1	1

NOTE: A - Specify frame color when ordering. See page titled "Frame Finishes and Touch-Up Paints".
B - Not Shown

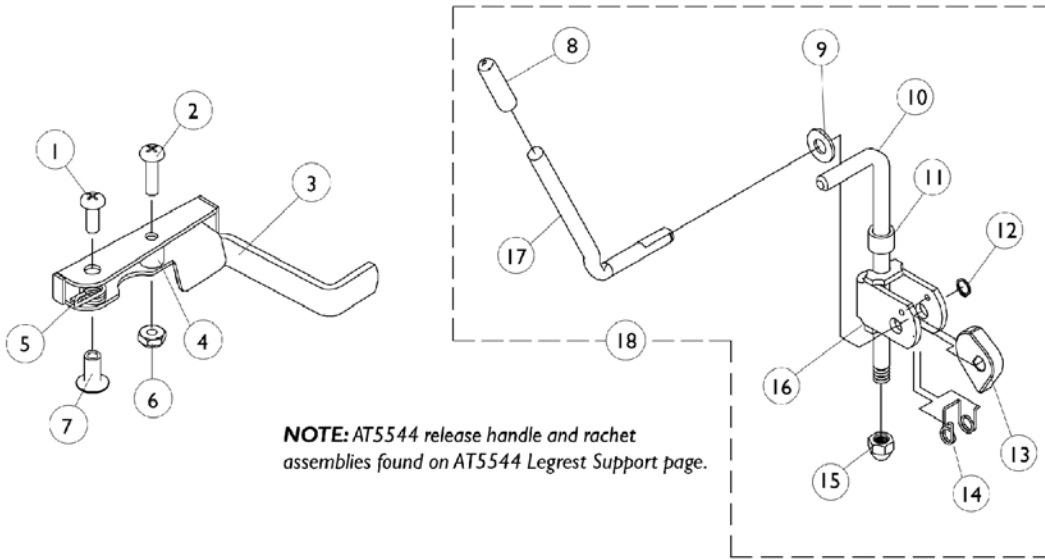
PAS4A/PAL4A Articulating Legrest Support Assembly (Pin Style) Chrome 14"-24" Wide Chairs



Item Number	Note	Part Number	Description	Quantity Per	
				Package	Assembly
1		1058478-NLA	NLA - Tube, Legrest Support - Right	1	1
1		1058479-NLA	NLA - Tube, Legrest Support - Left	1	1
2		1027097	Plug Button, Black (3/4")	1	1
3		40363X000	Hex Nut (3/8"-16)	1	3
4		1022854-NLA	NLA - Screw, Shoulder Slotted Head (1/2 x 1-1/8", 3/8-16)	1	1
5		1022877-NLA	NLA - Tube, Support and Drive Link, Chrome - Right	1	1
5		1022878-NLA	NLA - Tube, Support and Drive Link, Chrome - Left	1	1
6		1022848	Tube, Slide, Articulating, Chrome - Right	1	1
6		1022849	Tube, Slide, Articulating, Chrome - Left	1	1
7		1027377	Washer (#20)	1	1
8		7930363-NLA	NLA - Package, Locknut (5/16"-24)	25	1
9		11232X009	Bolt, Lug (5/16-24 x 1-3/8")	1	1
10		1022866-NLA	NLA - Screw, Socket Button Head (3/8-16 x 3/4")	1	2
11		1049527	Washer, Nylon (3/8 x 3/4 x 1/16")	1	2
12		1022846-NLA	NLA - Bar, Link, Black	1	1
	A	1058482-NLA	NLA - Legrest Support Assembly, Articulating, Adult, Chrome - Right	1	1
	A	1058483-NLA	NLA - Legrest Support Assembly, Articulating, Adult, Chrome - Left	1	1

NOTE: A - Not Shown

Legrest Release Handles and Ratchets



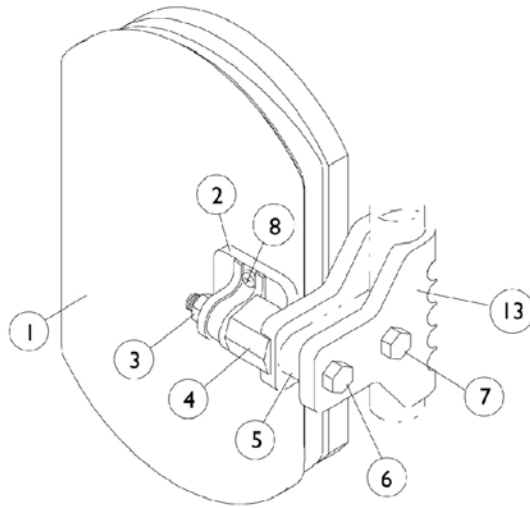
Legrest Release Handles and Ratchets

Item Number	Note	Part Number	Description	Quantity Per	
				Package	Assembly
1		7930328-NLA	NLA - Package, Screw, Phillips Pan Head (#10-32 x 11/16")	25	1
2		7930335-NLA	NLA - Package, Screw, Phillips Pan Head (#10-32 x 1/2")	25	1
3		1035539	Handle, Release, Black - Right	1	1
3		1035540	Handle, Release, Black - Left	1	1
4		47565X057	Bushing (7/32 x 3/8 x 11/32")	1	1
5		1028707	Spring, Release - Right	1	1
5		1028708	Spring, Release - Left	1	1
6		7930332-NLA	NLA - Locknut, High Profile (#10-32)	25	1
7		1028846-NLA	NLA - Rivnut (#10-32)	25	1
8		1040060	Tip, Plastic, Black	1	1
9		7930310-NLA	NLA - Washer, Nylon (5/16 x 11/16 x 1/16")	1	1
10	C	42326X004	Bar, Ratchet - Right/Left	1	1
10	D	1023811-NLA	NLA - Bar, Ratchet - Right	1	1
10	D	1023812-NLA	NLA - Bar, Ratchet - Left	1	1
11		47328X003	Bushing, Pivot (5/16 x 7/16 x 7/8")	1	1
12		1040831	Ring, Snap	1	1
13		1037125	Cam, Legrest	1	1
14		1037485	Spring, Release	1	1
15		7930336-NLA	NLA - Nut, Acorn (5/16-24)	25	1
16		04528X002	Bracket, Release, Black	1	1
17		1037126	Handle, Release	1	1
18	A	1046329	Kit, Elevating Legrest Ratchet Hardware (Pair)	2	1
18	B	1046331-NLA	NLA - Kit, Articulating Legrest Ratchet Hardware (Pair)	2	1

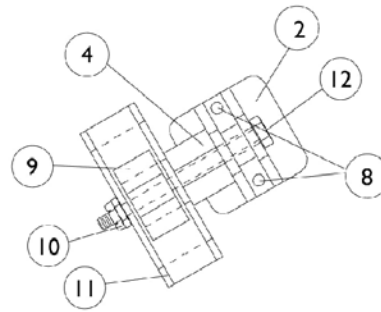
NOTE: A - P904A Legrest
 B - PAS4A and PAL4A Legrest
 C - P904A Legrest
 D - Articulating

Calf Pads and Attaching Hardware

NOTE: For replacement calf pads for Power Articulating Legrest, see Power Articulating Legrest page. Due to a change to the Legrest Calf Pad size made on 4/23/12, you must also order the hardware kit (1066591) when ordering replacement Calf Pads.



P904A, AT5544 Legrest.



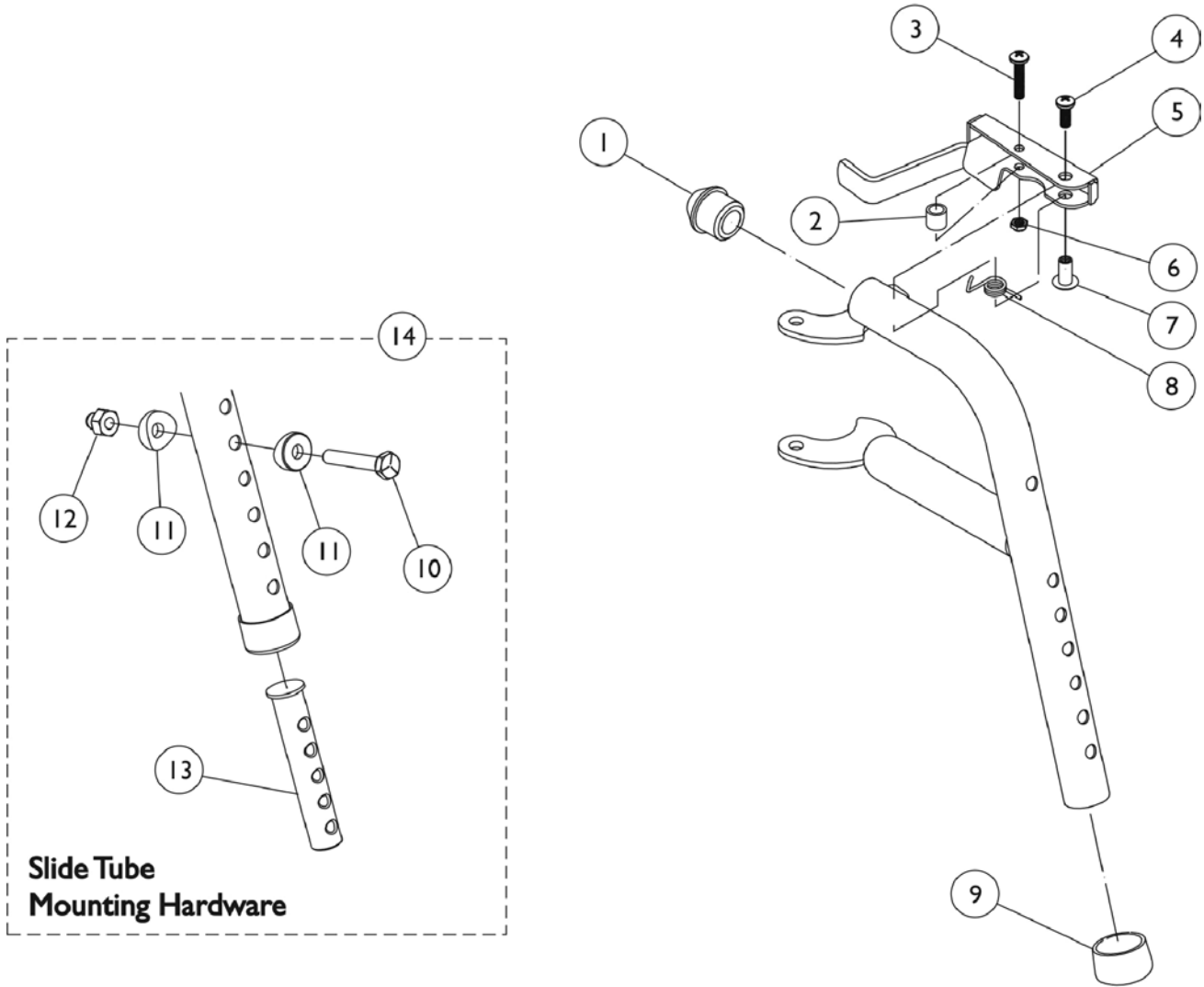
PAS4A, PAL4A Legrest

Calf Pads and Attaching Hardware

**NOTE: For replacement calf pads for Power Articulating Legrest, see Power Articulating Legrest page.
Due to a change to the Legrest Calf Pad size made on 4/23/12, you must also order the hardware kit (1066591) when ordering replacement Calf Pads.**

Item Number	Note	Part Number	Description	Quantity Per	
				Package	Assembly
1	A,D	8881091759	Pad w/ Cover and Screws, Legrest Vinyl (Pair)	2	1
1	A,D	8881091764	Pad, Legrest, Vinyl - Right/Left	1	1
1	A,B,D	88804529X003	Pad, Legrest, Vinyl - Right	1	1
1	A,B,D	88804529X004	Pad, Legrest, Vinyl - Left	1	1
2		04526X019	Plate, Legrest Pad	1	1
3		7930330-NLA	NLA - Locknut (5/16-24)	25	1
4		1025133	Spacer, Legrest Pad, Black	1	1
5		1032267	Spacer, Legrest Pad Mounting, Black	1	1
6		1037110	Screw, Hex Head (5/16-24 x 3-1/2")	1	1
7		1028514	Screw, Hex Head (5/16-24 x 1-1/2")	1	1
8	C	1066591	Hardware, Legrest Pad	1	1
			Screw, Phillips Pan Head (#10-32 x 11/16")	1	2
			Screw, Phillips Pan Head (#10-32 x 1")	1	2
			Instruction Sheet, Legrest Pad Mtg.	1	1
9		48823X008	Spring, Leaf	1	1
10		7930363-NLA	NLA - Package, Locknut (5/16"-24)	25	2
11		1025104	Bracket, Legrest, Chrome	1	1
12		1014807	Screw, Hex Head (5/16-24 x 3-1/4")	1	1
13		1032266	Bracket, Legrest Pad Mounting, Black	1	1
<p>NOTE: A - Specify upholstery color. See page titled "Frame Finishes, Touch-Up Paints and Upholstery Options". B - 14"-15" Wide Chairs C - Includes Screws and Instruction Sheet. D - Due to a change to the Legrest Calf Pad size made on 4/23/12, you must also order the hardware kit (1066591) when ordering replacement Calf Pads.</p>					

PW93 Footrest Supports (Pin Style) Color

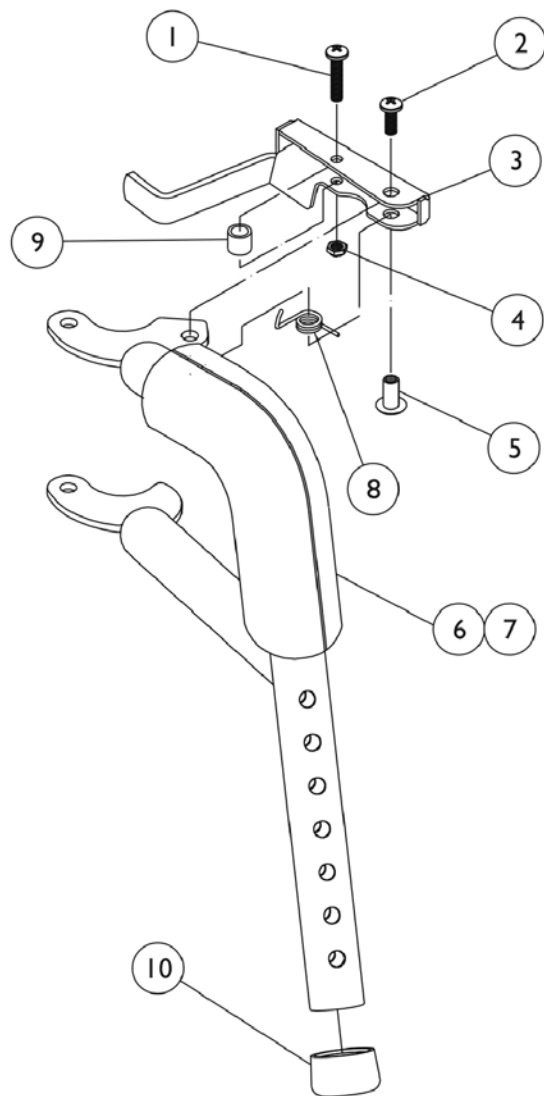
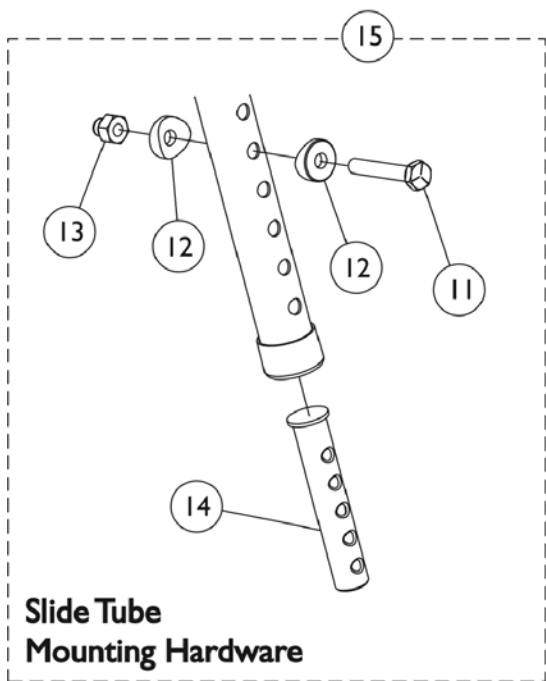


PW93 Footrest Supports (Pin Style) Color

Item Number	Note	Part Number	Description	Quantity Per	
				Package	Assembly
1		1020719	Anti-Rattle, Black	1	1
2		47565X057	Bushing (7/32 x 3/8 x 11/32")	1	1
3		1025716	Screw, Phillips Pan Head (#10-32 x 11/16")	1	1
4		1026114	Screw, Phillips Pan Head (#10-32 x 1/2")	1	1
5		1035539	Handle, Release, Black - Right	1	1
5		1035540	Handle, Release, Black - Left	1	1
6		1025735	Locknut (#10-32)	1	1
7		1028846-NLA	NLA - Rivnut (#10-32)	1	1
8		1028707	Spring, Release - Right	1	1
8		1028708	Spring, Release - Left	1	1
9		15680X012	Collar, Anti-Rattle (7/8")	1	1
10		1070759	Screw, Hex Head (1/4-20 x 1-1/2")	1	1
11		1026099	Spacer, Coved (1/4 x 11/16 x 1/2")	1	2
12		1044214	Nut, Hex with Nylon Cap (1/4-20)	1	1
13	C	1020534	Insert, Threaded	1	1
14		1074143	Kit, Slide Tube Mounting Hardware	1	1
	A,B	8881070776	Footrest Support Assembly, Adult, Color - Right	1	1
	A,B	8881070777	Footrest Support Assembly, Adult, Color - Left	1	1

NOTE: A - Specify frame color when ordering. See page titled "Frame Finishes, Touch-Up Paints and Upholstery Options".
B - Not Shown.
C - As of 8/15/03, the Threaded Insert was revised from 3 to 5 Holes. Threaded Insert is Backward Compatible and does not require ordering in Pairs.

PW93ST Footrest Supports (Pin Style) Color

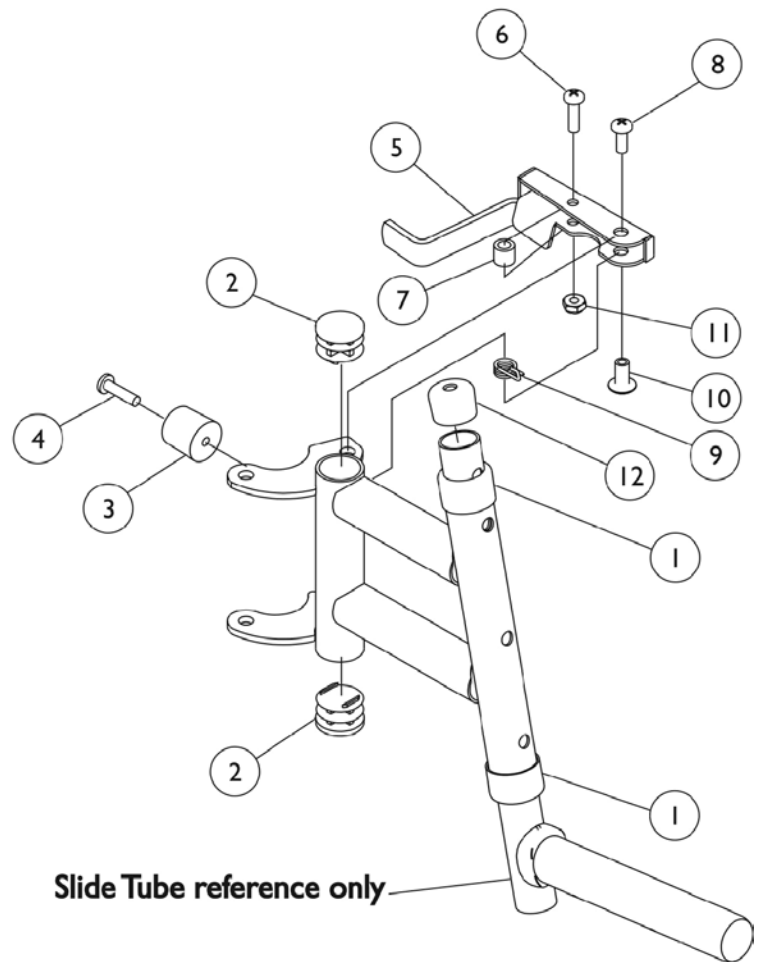
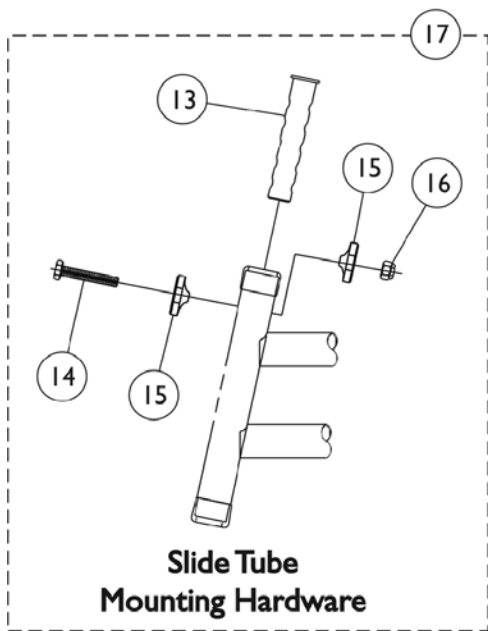


PW93ST Footrest Supports (Pin Style) Color

Item Number	Note	Part Number	Description	Quantity Per	
				Package	Assembly
1		1025716	Screw, Phillips Pan Head (#10-32 x 11/16")	1	1
2		1026114	Screw, Phillips Pan Head (#10-32 x 1/2")	1	1
3		1035539	Handle, Release, Black - Right	1	1
3		1035540	Handle, Release, Black - Left	1	1
4		1025735	Locknut (#10-32)	1	1
5		1028846-NLA	NLA - Rivnut (#10-32)	1	1
6		1030434-NLA	NLA - Cushion, Tubular Foam	1	1
7		1030435-NLA	NLA - Cover, Foam Cushion	1	1
8		1028707	Spring, Release - Right	1	1
8		1028708	Spring, Release - Left	1	1
9		47565X057	Bushing (7/32 x 3/8 x 11/32")	1	1
10		15680X012	Collar, Anti-Rattle (7/8")	1	1
11		1070759	Screw, Hex Head (1/4-20 x 1-1/2")	1	1
12		1026099	Spacer, Coved (1/4 x 11/16 x 1/2")	1	2
13		1044214	Nut, Hex with Nylon Cap (1/4-20)	1	1
14	C	1020534	Insert, Threaded	1	1
15		1074143	Kit, Slide Tube Mounting Hardware	1	1
	A,B	8881070784-NL A	NLA - Footrest Support Assembly, Adult, Color - Right	1	1
	A,B	8881070785-NL A	NLA - Footrest Support Assembly, Adult, Color - Left	1	1

NOTE: A - Specify frame color when ordering. See page titled "Frame Finishes, Touch-Up Paints and Upholstery Options".
 B - Not Shown
 C - As of 8/15/03, the Threaded Insert was revised from 3 to 5 Holes. Threaded Insert is Backward Compatible and does not require ordering in Pairs.

PW93E Footrest Supports (Pin Style) Color

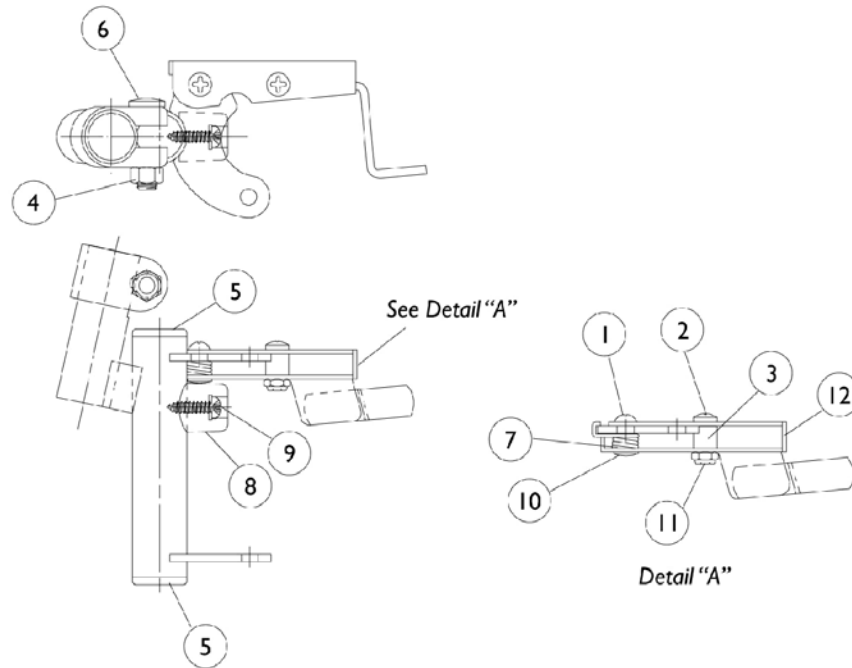


PW93E Footrest Supports (Pin Style) Color

Item Number	Note	Part Number	Description	Quantity Per	
				Package	Assembly
1		15680X012	Collar, Anti-Rattle (7/8")	1	2
2		1027095	Plug Button, Black (7/8")	1	2
3		1022874	Bumper	1	1
4		1030979	Screw, Phillips Pan Head Tap (#10-32 x 3/4")	1	1
5		1035539	Handle, Release, Black - Right	1	1
5		1035540	Handle, Release, Black - Left	1	1
6		1025716	Screw, Phillips Pan Head (#10-32 x 11/16")	1	1
7		47565X057	Bushing (7/32 x 3/8 x 11/32")	1	1
8		1026114	Screw, Phillips Pan Head (#10-32 x 1/2")	1	1
9		1028707	Spring, Release - Right	1	1
9		1028708	Spring, Release - Left	1	1
10		1028846-NLA	NLA - Rivnut (#10-32)	1	1
11		1025735	Locknut (#10-32)	1	1
12		1074108	Cap, End Tube, Black (3/4")	1	1
13	C	1020534	Insert, Threaded	1	1
14		1070759	Screw, Hex Head (1/4-20 x 1-1/2")	1	1
15		1026099	Spacer, Coved (1/4 x 11/16 x 1/2")	1	2
16		1044214	Nut, Hex with Nylon Cap (1/4-20)	1	1
17		1074143	Kit, Slide Tube Mounting Hardware	1	1
	A,B	8881070768-NL A	NLA - Footrest Support Assembly, Adult, Color - Right	1	1
	A,B	8881070769-NL A	NLA - Footrest Support Assembly, Adult, Color - Left	1	1

NOTE: A - Specify frame color when ordering. See page titled "Frame Finishes, Touch-Up Paints and Upholstery Options".
B - Not Shown
C - As of 8/15/03, the Threaded Insert was revised from 3 to 5 Holes. Threaded Insert is Backward Compatible and does not require ordering in Pairs.

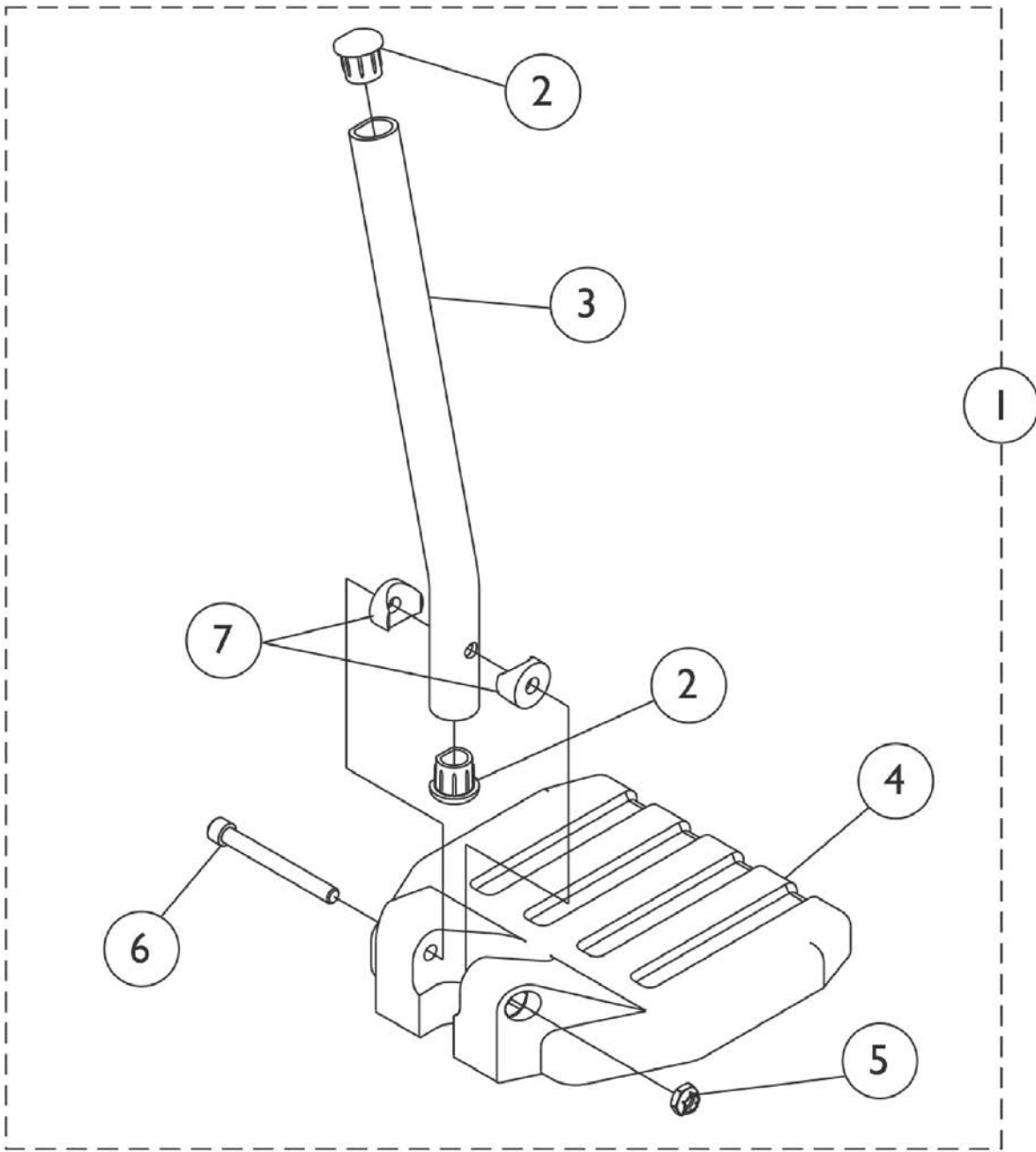
P93M Footrest Supports (Pin Style) Color



Item Number	Note	Part Number	Description	Quantity Per	
				Package	Assembly
1		7930359-NLA	NLA - Package, Screw, Phillips Pan Head (#10-32 x 1/2")	25	1
2		7930360-NLA	NLA - Package, Screw, Phillips Pan Head (#10-32 x 11/16")	25	1
3		47565X057	Bushing (7/32 x 3/8 x 11/32")	1	1
4		1107321	Nut, Low Cap (5/16"-24)	1	1
5		1027095	Plug Button, Black (7/8")	1	2
6		11232X009	Bolt, Lug (5/16-24 x 1-3/8")	1	1
7		1008935	Spring, Release - Right	1	1
7		1008936	Spring, Release - Left	1	1
8		1022874	Bumper	1	1
9		1030979	Screw, Phillips Pan Head Tap (#10-32 x 3/4")	1	1
10		67005X000	Rivnut (#10-32)	1	1
11		7930365-NLA	NLA - Locknut (#10-32)	25	1
12		1035539	Handle, Release, Black - Right	1	1
12		1035540	Handle, Release, Black - Left	1	1
	A,B	8881037836-NL A	NLA - Footrest Support Assembly, Adult, Color - Right	1	1
	A,B	8881037837-NL A	NLA - Footrest Support Assembly, Adult, Color - Left	1	1

NOTE: A - Specify frame color when ordering. See page titled "Frame Finishes, Touch-Up Paints and Upholstery Options".
B - Not Shown

Footplate and Pivot Tube Assemblies 1651 Composite



Used on Wedge Style Elevating Legrest AT5044

SCM_435A

Footplate and Pivot Tube Assemblies 1651 Composite

Item Number	Note	Part Number	Description	Quantity Per	
				Package	Assembly
1	A	See Chart	#1 AT5044 Elevating Legrest - Wedge Style	1	1
2		1134427	Package, Plug Button, Black, "D" Shaped (3/4")	10	1
3		1134428	Pivot/Slide Tube w/ D Insert, Black	1	1
3		1134429	Pivot/Slide Tube w/ D Insert, Black (2" Longer)	1	1
4		1026879	Footplate, Composite, Small, Black (6" W x 6" L)	1	1
4		1026880	Footplate, Composite, Medium, Black (7" W x 6" L)	1	1
4		1026881	Footplate, Composite, Large, Black (8" W x 6" L)	1	1
5		1025195	NLA - Locknut (1/4-20)	1	1
6		60285X006	Screw, Socket Head (1/4-20 x 2-1/4")	1	1
7		1025457	Spacer, Coved (1/4 x 3/4 x 1 1/32")	1	2

NOTE: A - Includes items 2-7

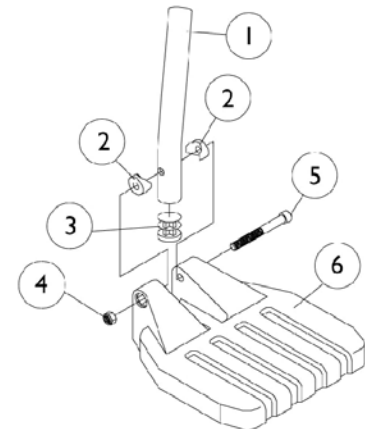
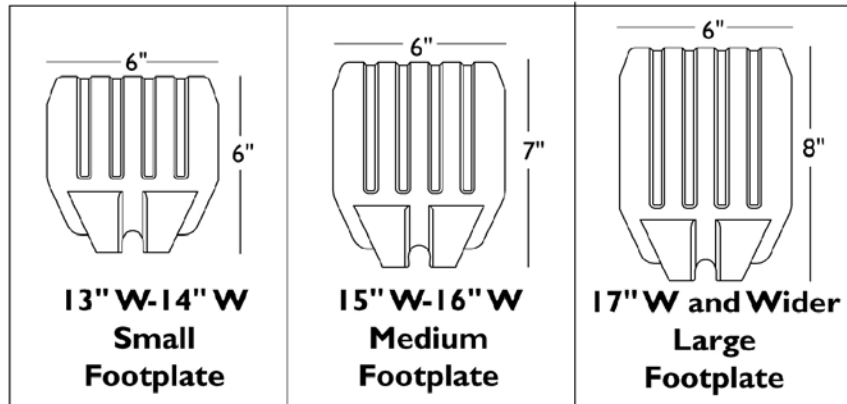
#1 AT5044 Elevating Legrest - Wedge Style Curved End

Right/Left	Small Long 14" Wide	Small 2" Longer 14" Wide	Medium Long 15" - 16" Wide	Medium 2" Longer 15" - 16" Wide	Large Long 17" - 24" Wide	Large 2" Longer 17" - 24" Wide
Right	1132078	1132107	1132080	1132109	1132082	1132111
Left	1132079	1132108	1132081	1132110	1132083	1132112

Pivot/Slide Tube and 1651 Composite Footplates

NOTE: Heel Loops are not included. See footrest and legrest accessories.

NOTE: For complete pivot/slide tube and footplate assemblies, see front riggings reference charts

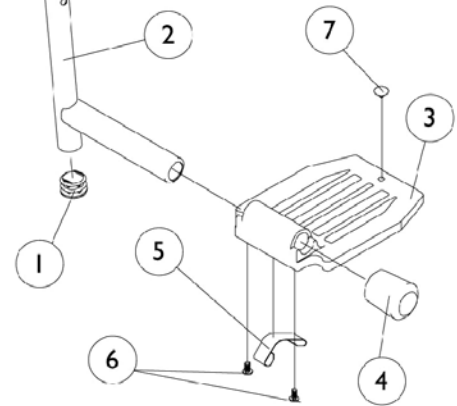
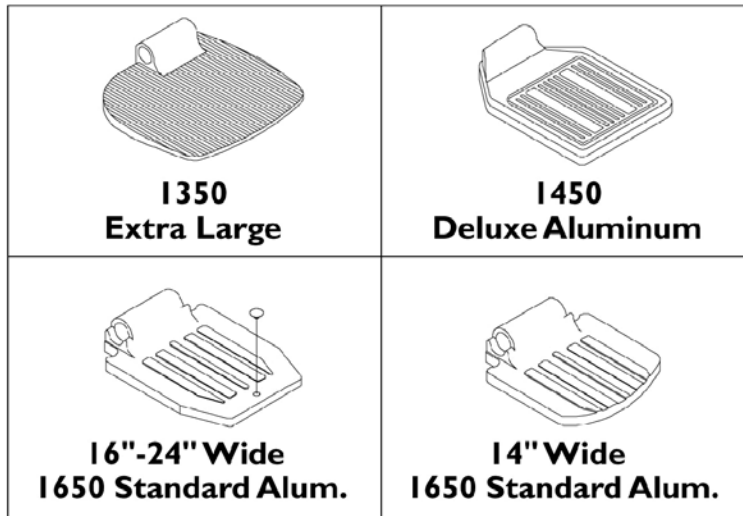


Item Number	Note	Part Number	Description	Quantity Per	
				Package	Assembly
1		1057852	Tube, Pivot/Slide, Curved End, Steel, Black (9-7/8")	1	1
1		1057854	Tube, Pivot/Slide, Curved End, 2" Longer, Steel, Black	1	1
1		1058418	Tube, Pivot/Slide, Curved End, 4" Longer, Steel, Black	1	1
2		1025457	Spacer, Coved (1/4 x 3/4 x 11/32")	1	2
3		1027097	Plug Button, Black (3/4")	1	1
4		7930323-NLA	NLA - Package, Locknut (1/4-20)	25	1
5		7930366	Package, Socket Head Screw (1/4-20 x 2-1/4")	25	1
6	A	1026879	Footplate, Composite, Small, Black (6" W x 6" L)	1	1
6	B	1026880	Footplate, Composite, Medium, Black (7" W x 6" L)	1	1
6	C	1026881	Footplate, Composite, Large, Black (8" W x 6" L)	1	1
6	D	1026879	Footplate, Composite, Small, Black (6" W x 6" L)	1	1
6	E	1026880	Footplate, Composite, Medium, Black (7" W x 6" L)	1	1
6	F	1026881	Footplate, Composite, Large, Black (8" W x 6" L)	1	1
NOTE: A - 13"-14" Wide B - 15"-16" Wide C - 17" and Wider D - 15"-17" Wide 70ST TAPER and PW93ST E - 18"-19" Wide 70ST TAPER and PW93ST F - 20" and Wider 70ST TAPER and PW93ST					

Pivot/Slide Tube and 1650, 1450, 1350 Aluminum Footplates

NOTE: Heel Loops are not included. See footrest and legrest accessories

NOTE: For complete pivot/slide tube and footplate assemblies, see front riggings reference charts.



Pivot/Slide Tube and 1650, 1450, 1350 Aluminum Footplates

NOTE: Heel Loops are not included. See footrest and legrest accessories

NOTE: For complete pivot/slide tube and footplate assemblies, see front riggings reference charts.

Item Number	Note	Part Number	Description	Quantity Per	
				Package	Assembly
1		1027097	Plug Button, Black (3/4")	1	1
2	A	1048834	Pivot/Slide Tube w/ Plug Button, Black	1	1
2	A	1098906	Pivot/Slide Tube w/ Plug Button, Black (2" Longer)	1	1
2	A	1086482	Pivot/Slide Tube w/ Plug Button, Black (4" Longer)	1	1
2	B	1041526	Pivot/Slide Tube w/ Plug Button Assembly, Chrome	1	1
2	C	1041527	Pivot/Slide Tube w/ Plug Button, Black	1	1
2	D	1100568-NLA	NLA - Pivot/Slide Tube w/ Plug Button, Black	1	1
2	D	1100569-NLA	NLA - Pivot/Slide Tube Assembly, Extra Large, Standard Aluminium - 2" Longer, Black	1	1
2	D	1100570-NLA	NLA - Pivot/Slide Tube w/ Plug Button, Black (4" Longer)	1	1
2	E	1041527	Pivot/Slide Tube w/ Plug Button, Black	1	1
2	F	1041526	Pivot/Slide Tube w/ Plug Button Assembly, Chrome	1	1
2	G	1100571-NLA	NLA - Pivot/Slide Tube w/ Plug Button, Deluxe, Black	1	1
2	H	1041525-NLA	NLA - Pivot/Slide Tube w/ Plug Button, Deluxe Aluminium, Black	1	1
3		44200X059	Footplate, Aluminum, Small, Black (6-3/4" W x 6" L)	1	1
3		44200X027	Footplate, Aluminum, Medium, Black (7-3/4" W x 6" L)	1	1
3		1043659-NLA	NLA - Footplate, Aluminum, Deluxe, Black - Right (8" W x 5-3/4" L)	1	1
3		1043660-NLA	NLA - Footplate, Aluminum, Deluxe, Black - Left (8" W x 5-3/4" L)	1	1
3		44200X025	Footplate, Aluminum, Extra Large, Black - Right (8" W x 8-1/2" L)	1	1
3		44200X026	Footplate, Aluminum, Extra Large, Black - Left (8" W x 8-1/2" L)	1	1
4	I	1016346	Cap, End, Tube, Black (7/8")	1	1
4	J	1027095	Plug Button, Black (7/8")	1	1
5	I	1006981	Spring, Tension	1	2
5	L	1036120-NLA	NLA - Spring	1	2
5	J,M	1036123	Spring, Leaf	1	1
6	K	7930354-NLA	NLA - Package, Phillips Head Screw (#8-32 x 3/8")	25	2
7		1070168	Plug, Push, Footplate	1	1

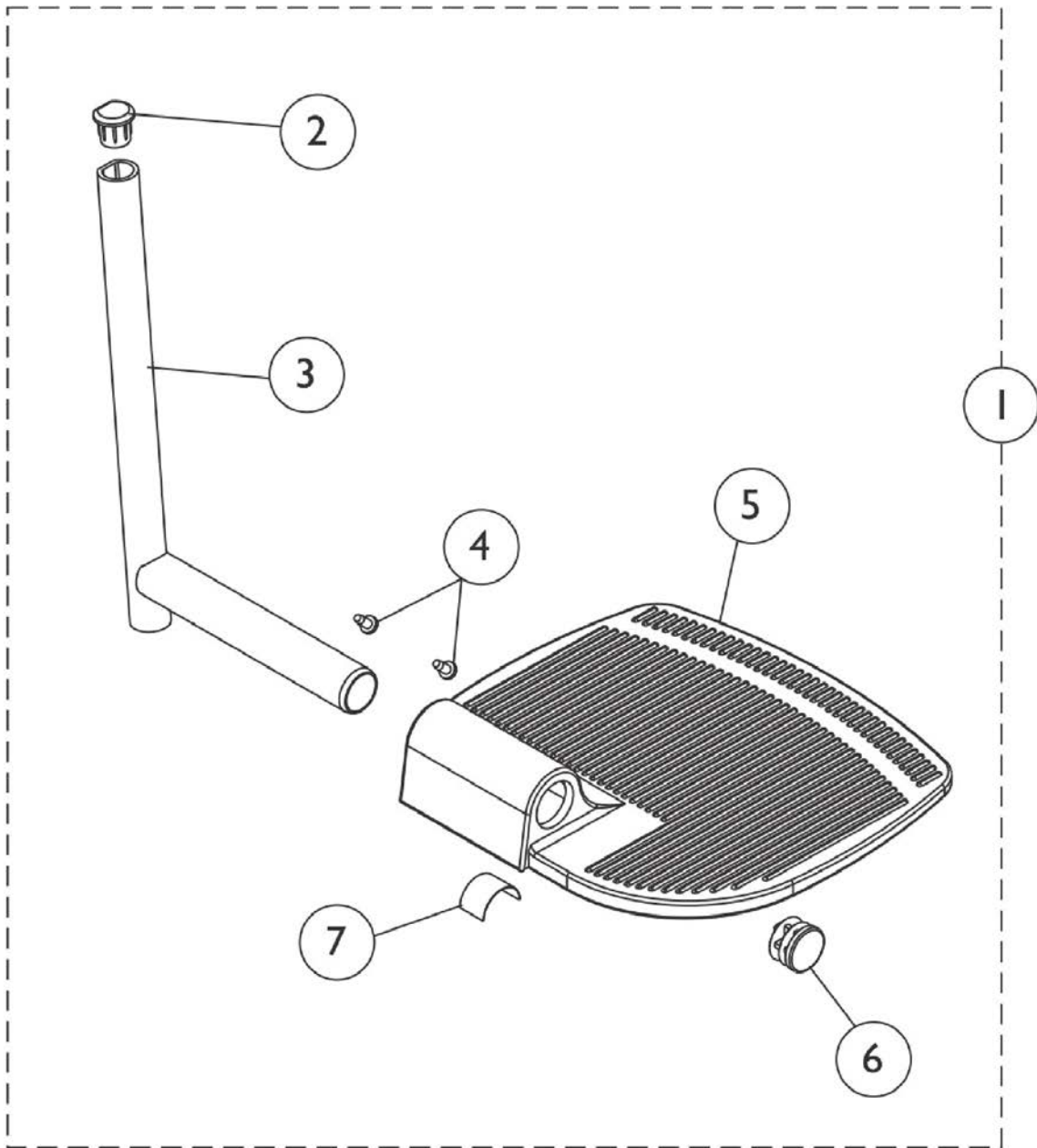
Pivot/Slide Tube and 1650, 1450, 1350 Aluminum Footplates

NOTE: Heel Loops are not included. See footrest and legrest accessories

NOTE: For complete pivot/slide tube and footplate assemblies, see front riggings reference charts.

NOTE: A - Extra Large footplate for 60MFX, AT5544, 60, 70, PW93, PW93E
B - Extra Large footplate for PAL4A
C - Extra Large footplate for P93M
D - Extra Large and Standard Aluminum footplate for P904
E - Standard Aluminum footplate for P93M
F - Standard Aluminum footplate for PAL4
G - Deluxe Aluminum footplate for P904 and AT5544
H - Deluxe Aluminum footplate for P93M
I - For Standard Aluminum footplate
J - For Extra Large footplate
K - Deluxe footplate takes 1 ea.
L - Deluxe footplate
M - Use one or more leaf springs per assembly as required such that footplate may be moved by hand to the up-right position and remain in place.

Footplate and Pivot/Slide Tube Assemblies 1350 Extra Large Aluminum



Used on Wedge Style AT5044 Elevating Legrests

SCM_437A

Footplate and Pivot/Slide Tube Assemblies 1350 Extra Large Aluminum

Item Number	Note	Part Number	Description	Quantity Per	
				Package	Assembly
1	A	See Chart	#9 Pivot/Slide Tube w/ Extra Large Aluminum Footplate Assembly	1	1
2		1134427	Package, Plug Button, Black, "D" Shaped (3/4")	10	1
3		1134431	Pivot/Slide Tube w/ Plug Buttons, Black	1	1
4		1025729	Screw, Phillips Pan Head Tap (#8-32 x 3/8")	1	2
5		1002343	Footplate, Aluminum, Extra Large, Black - Right (7" W x 8-1/2" L)	1	1
5		1002344	Footplate, Aluminum, Extra Large, Black - Left (7" W x 8-1/2" L)	1	1
5		44200X025	Footplate, Aluminum, Extra Large, Black - Right (8" W x 8-1/2" L)	1	1
5		44200X026	Footplate, Aluminum, Extra Large, Black - Left (8" W x 8-1/2" L)	1	1
6		1130582	Package, Plug Button, Black (7/8")	10	1
7		1036123	Spring, Leaf	1	1

NOTE: A - Includes items 2-7.

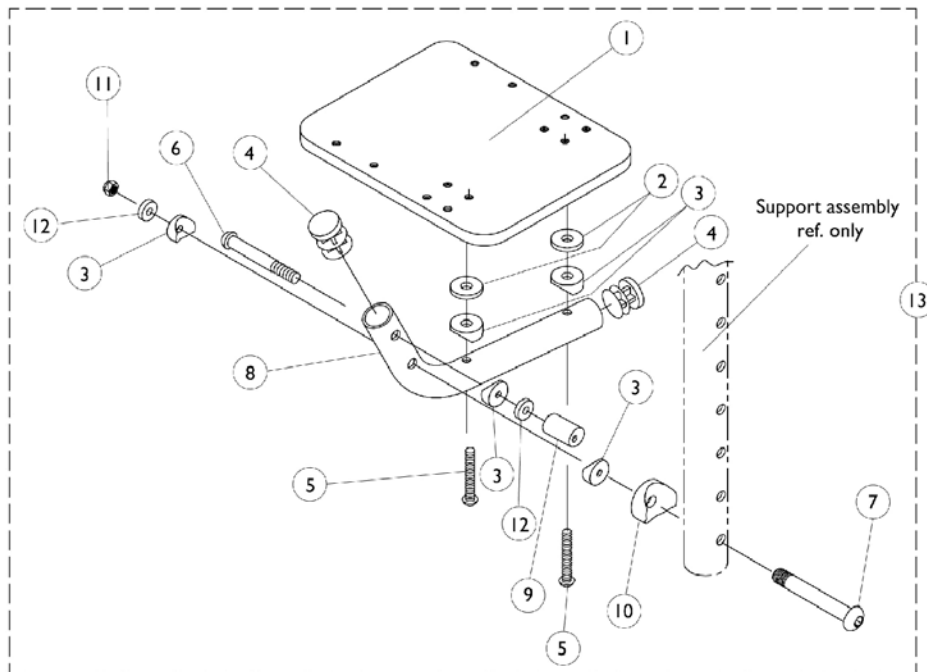
#1 Pivot/Slide Tube w/ Extra Large Aluminum Footplate Assembly

Footplate Style	Chair Width	Right	Left
AT5044, AT5044LIFT	14" - 15"	1153941	1153942
AT5044, AT5044LIFT	16" - 24"	1132084	1132085

AT5043 Flip-Up Footplates

70deg MFX and 90deg Swingaway Supports

NOTE: Heel Loops are not included. See footrest and legrest accessories.

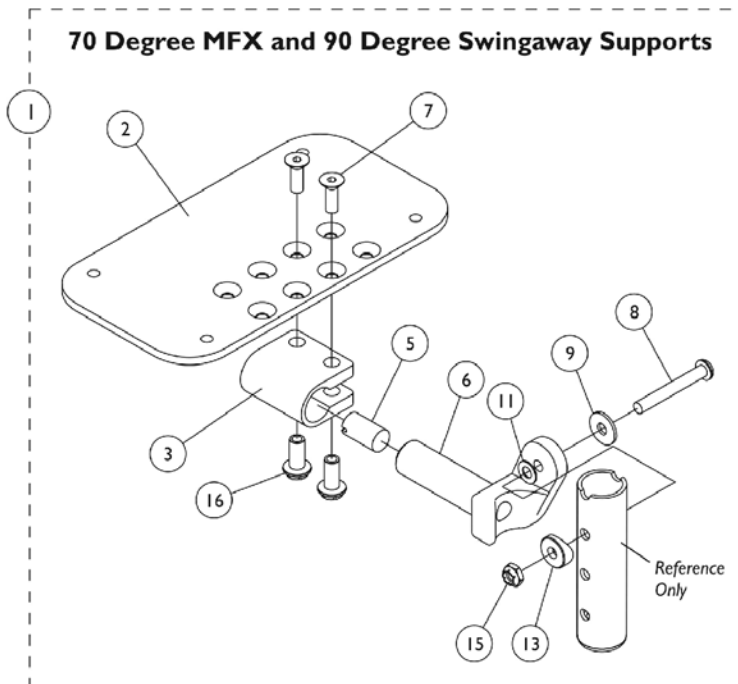
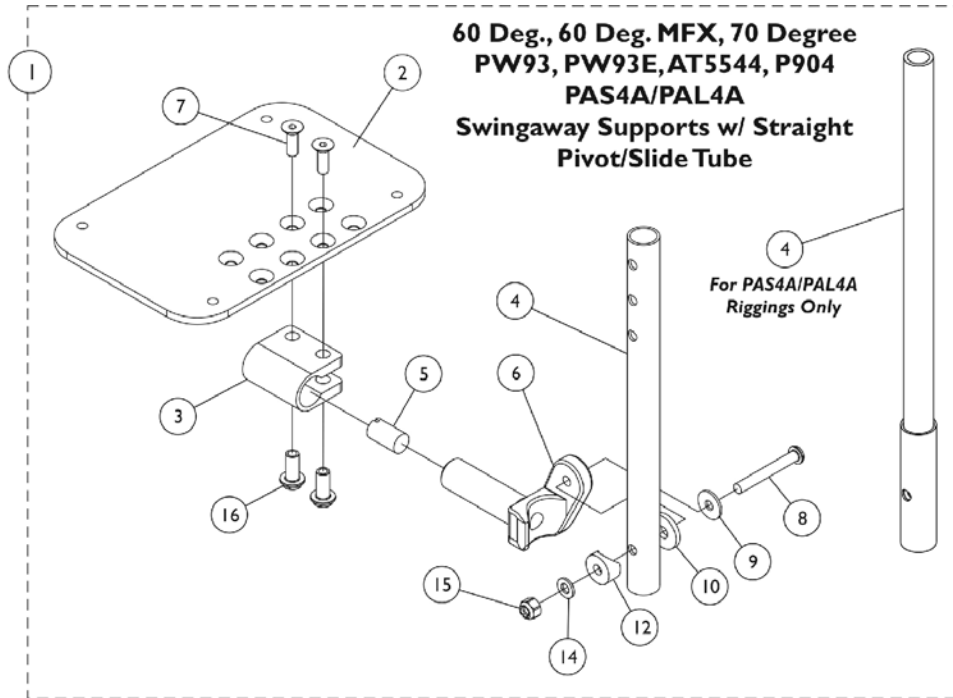


Item Number	Note	Part Number	Description	Quantity Per	
				Package	Assembly
1		1044082-NLA	NLA - Footplate, Black (4-1/4" W x 5-1/4" L) (12" W)	1	1
2		1029454-NLA	NLA - Washer, Nylon (3/16 x 3/4 x 5/32")	1	2
3		1025457	Spacer, Coved (1/4 x 3/4 x 11/32")	1	5
4		1027097	Plug Button, Black (3/4")	1	2
5		1163311	Screw, Socket Button Head (10-32 x 1-1/4")	1	2
6		1008495	Screw, Socket Button Head (1/4-20 x 1-1/2")	1	1
7		1023967-NLA	NLA - Screw, Socket Button Head (1/4-20 x 2-5/8")	1	1
8		1029428-NLA	NLA - Tube, Footrest, Black	1	1
9		1028417-NLA	NLA - Cam, Adjustment	1	1
10		40157X020	Spacer, Coved (1/4 x 1 x 9/16")	1	1
11		7930333	Locknut (1/4-20)	25	1
12		1018739	Washer (1/4 x 5/8 x 3/32")	1	2
13		1029434-NLA	NLA - Flip-Up Footplate Assembly, Black - Right	1	1
13		1029435-NLA	NLA - Flip-Up Footplate Assembly, Black - Left	1	1

Adjustable Angle Footplate Assemblies - AT5543

60deg, 60deg MFX, 70deg, 70deg MFX, PW93, PW93E, 90DEG, AT5544,
P904, PAS4A/PAL4A Swingaway Supports

NOTE: Heel loops are not included. See footrest and legrest accessories.



Adjustable Angle Footplate Assemblies - AT5543

60deg, 60deg MFX, 70deg, 70deg MFX, PW93, PW93E, 90DEG, AT5544, P904, PAS4A/PAL4A Swingaway Supports

NOTE: Heel loops are not included. See footrest and legrest accessories.

Item Number	Note	Part Number	Description	Quantity Per	
				Package	Assembly
1	A	See Chart	Pivot/ Slide Tube with Footplate Assemblies	1	1
2	B,F	1113572	Footplate, Adjustable Angle, Medium, Black (4-1/4" W x 8" L)	1	1
2	C,F	1113573	Footplate, Adjustable Angle, Large, Black (5-1/4" W x 8" L)	1	1
2	D,F	1113574	Footplate, Adjustable Angle, Extra Large, Black (6-1/4" W x 8" L)	1	1
3		1058517	Clamp, Footplate	1	1
4		1057855	Tube, Pivot and Slide, Straight, Steel, Black (9-7/8" L)	1	1
4		1057856	Tube, Pivot/Slide, Straight, Steel, Black (11-7/8" L)	1	1
4		1121135	Tube, Pivot/Slide, Straight, Steel, Black (13-7/8" L)	1	1
4	E	1091745-NLA	NLA - Tube, Pivot/Slide, Straight, Steel, Chrome (13-7/8" L)	1	1
5		1048816	Screw, Nylon Adjustment (1/2-13 x 7/8")	1	1
6		1052102	Hinge, Footplate - Right	1	1
6		1052103	Hinge, Footplate - Left	1	1
7		1029545	Screw, Socket Flat Head (1/4-20 x 3/4")	1	2
8		7930321-NLA	NLA Package, Screw, Socket Button Head (1/4-20 x 1-7/8")	25	1
9		1026900	Washer (1/4 x 23/32 x 1/16")	1	1
10		7930313	Package, Washer, Nylon (5/16 x 7/8 x 1/8")	25	1
11		1036435	Washer, Nylon (1/4 x 7/8 x 1/32")	1	1
12		1025457	Spacer, Coved (1/4 x 3/4 x 11/32")	1	1
13		1026099	Spacer, Coved (1/4 x 11/16 x 1/2")	1	1
14		1026907	Washer (1/4 x 1/2 x 1/16")	1	1
15		7930333	Locknut (1/4-20)	25	1
16		1082686	Nut, Barrel, Hex Head (1/4-20 x 11/16")	1	2

NOTE: A - Includes Items 2 thru 16.
 B - For 12-13" wide chairs
 C - For 14-15" wide chairs
 D - For 16" and wider chairs
 E - For PAS4A/PAL4A only.
 F - The footplate design was revised 9/2/2008 with rounder corners and accessory holes changed from 8 to 4. Recommended to replace in pairs to match sides.

#1 Pivot/ Slide Tube with Footplate Assemblies

Rigging Types	90 and 70MFX Footplate Assembly w/o Pivot/SlideTube	60, 60MFX, 70 PW93, PW93E AT5544, P904 (9-7/8" Tube)	60, 60MFX, 70 PW93, PW93E AT5544, P904 (11-7/8" Tube)	60, 60MFX, 70 PW93, PW93E AT5544, P904 (13-7/8" Tube)	PAS4A and PAL4A (13-7/8" Tube)

Adjustable Angle Footplate Assemblies - AT5543

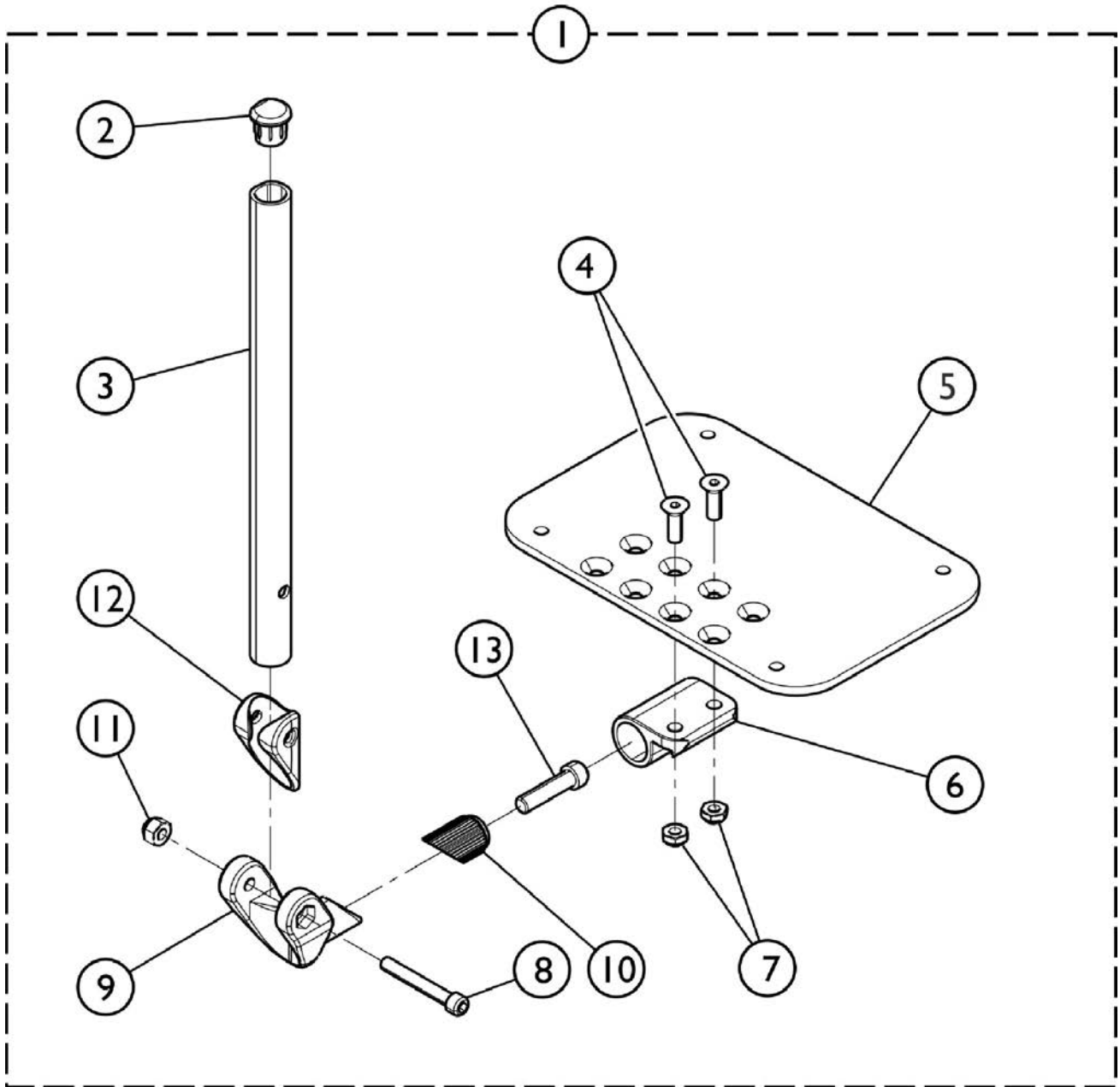
60deg, 60deg MFX, 70deg, 70deg MFX, PW93, PW93E, 90DEG, AT5544, P904, PAS4A/PAL4A Swingaway Supports

NOTE: Heel loops are not included. See footrest and legrest accessories.

#1 Pivot/ Slide Tube with Footplate Assemblies

Rigging Types	90 and 70MFX Footplate Assembly w/o Pivot/SlideTube	60, 60MFX, 70 PW93, PW93E AT5544, P904 (9-7/8" Tube)	60, 60MFX, 70 PW93, PW93E AT5544, P904 (11-7/8" Tube)	60, 60MFX, 70 PW93, PW93E AT5544, P904 (13-7/8" Tube)	PAS4A and PAL4A (13-7/8" Tube)
12-13" W, Right (4-1/4" Footplate)	1060436-NLA	1060442	N/A	N/A	N/A
12-13" W, Left (4-1/4" Footplate)	1060437	1060443	N/A	N/A	N/A
14-15" W, Right (5-1/4" Footplate)	1060438	1060444	1062758	1121138-NLA	1091775-NLA
14-15" W, Left (5-1/4" Footplate)	1060439	1060445	1062759	1121139-NLA	1091776-NLA
16" and Wider, Right (6-1/4" Footplate)	1062570	1062756	1062760	1121140	1091777-NLA
16" and Wider, Left (6-1/4" Footplate)	1062571	1062757	1062761	1121141	1091778-NLA

Adjustable Angle Footplate Assemblies AT5543 For AT5044



Used on Wedge Style Elevating Legrests (AT5044)

SCM_438A

Adjustable Angle Footplate Assemblies AT5543 For AT5044

Item Number	Note	Part Number	Description	Quantity Per	
				Package	Assembly
1	A	See Chart	#15 Wedge Style AT5044 Elevating Legrests	1	1
2		1134427	Package, Plug Button, Black, "D" Shaped (3/4")	10	1
3		1134433	Pivot/Slide Tube w/ D Insert, Black	1	1
3		1134432	Pivot/Slide Tube w/ D Insert, Black (2" Longer)	1	1
4		1113578	Screw, Socket Flat Head (1/4-28 x 3/4")	1	2
5		1113573	Footplate, Adjustable Angle, Large, Black (5-1/4" W x 8" L)	1	1
5		1113574	Footplate, Adjustable Angle, Extra Large, Black (6-1/4" W x 8" L)	1	1
5		1113575	Footplate, Adjustable Angle, XX- Large, Black (7-1/4" W x 8" L)	1	1
6		1113528	Bracket, Adjustable Angle Footplate, Black	1	1
7		1025765	Locknut (1/4-28)	1	2
8		1096810	Screw, Socket Head (1/4-28 x 1-3/4")	1	1
9		1113529	Hinge, Adjustable Angle Footrest	1	1
10		1113530	Attachment, Hinge	1	1
11		1065362	Locknut (1/4-28)	1	1
12		1114688	Spacer, Hinge, Black	1	1
13		1021344	Screw, Socket Head (5/16-18 x 1-1/2")	1	1

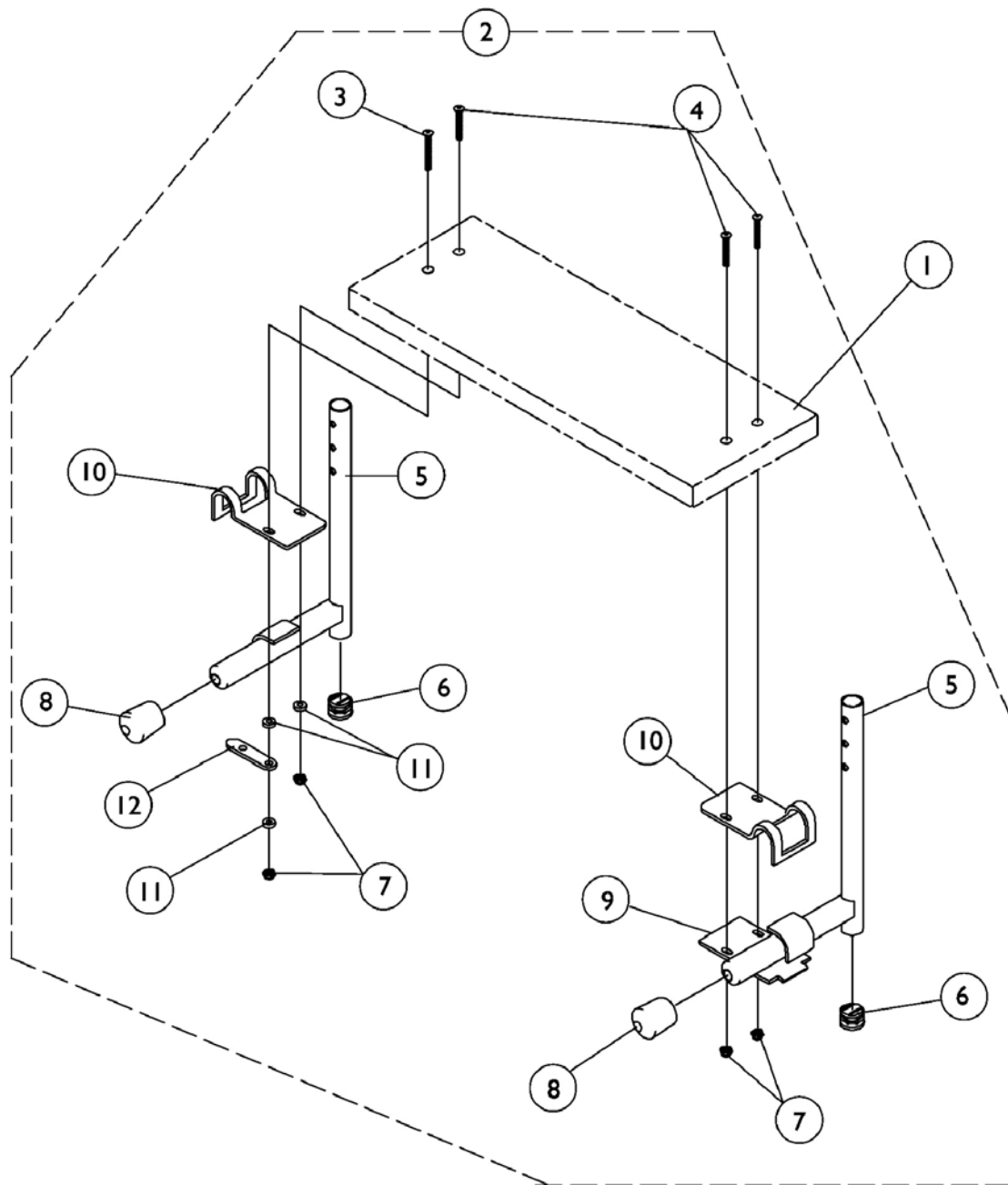
NOTE: A - Includes items 2-13.

#1 Adjustable Angle Footplates w/ Pivot Tubes

Wedge Style AT5044 Elevating Legrests

Straight Slide Tube (10-1/4")	Right	Left	ALPT Straight Slide Tube (12-1/4")	Right	Left
14" - 15" Wide (5-1/4" Footplate)	1132061	1132062	14" - 15" Wide (5-1/4" Footplate)	1132089	1132090
16" - 17" Wide (6-1/4" Footplate)	1132063	1132064	16" - 17" Wide (6-1/4" Footplate)	1132091	1132092
18" - 24" Wide (7-1/4" Footplate)	1132065	1132066	18" - 24" Wide (7-1/4" Footplate)	1132093	1132094

S1263 One Piece Wooden Footboard and Hardware



S1263 One Piece Wooden Footboard and Hardware

Item Number	Note	Part Number	Description	Quantity Per	
				Package	Assembly
1	A	See Chart	#1 One Piece Wooden Footboard without Hardware	1	1
2	B	See Chart	Heel Loop Hardware Packages (not shown)	1	1
3		1054573	Kit, Wooden Footboard Mounting Hardware	1	1
4			NLA - Screw, Phillips Oval Head (#10-32 x 1-1/2")	1	1
5			NLA - Screw, Phillips Oval Head (#10-32 x 1-1/4")	1	3
6			Tube, Pivot/Slide, Chrome - Right (9-1/2" L)	1	1
7			Tube, Pivot/Slide, Chrome - Left (9-1/2" L)	1	1
8			Plug Button, Black (3/4")	1	2
9			Locknut (#10-32)	1	4
10			Cap, End, Tube, Black (7/8")	1	2
11			Lock, Pad Plate, Legrest, Black	1	1
12			Clamp, Black	1	2
			NLA - Washer, Nylon (3/16 x 7/16 x 1/8")	1	3
			NLA - Link, Locking, Chrome	1	1

NOTE: A - Not Shown.
B - Includes items 3-12

#1 One Piece Wooden Footboard without Hardware

NOTE: When selecting a wooden footboard for PW93ST or 70 Degree Tapered Footrest, order a 3" narrower footboard to accommodate the 1.5" footrest taper per side. Example: 17" wide chair will use a 14" wide chair footboard. S1263 option is not available for tapered footrest less than 17" wide.

Footrest-Footboard w/ Heel Loop Holes Part Number	Footrest-Footboard w/o Heel Loop Holes Part Number	Chair Width	Footboard Width	Footboard Depth
1034245-NLA	48247X003-NLA	14"	11-5/8"	6"
1034246-NLA	1031910-NLA	15"	12-1/2"	6"
1034247-NLA	48247X001-NLA	16"	13-3/4"	6"
1034248-NLA	1031911-NLA	17"	14-1/2"	6"
1034249-NLA	48247X000-NLA	18"	15-9/16"	6"
1034250-NLA	1031912-NLA	19"	16-1/2"	6"
1034251-NLA	1031913-NLA	20"	17-1/2"	6"
1034252-NLA	1031914-NLA	21"	18-1/2"	6"
1034253-NLA	1031915-NLA	22"	19-1/2"	6"
1034254-NLA	1031916-NLA	23"	20-1/2"	6"
1034255-NLA	1031917-NLA	24"	21-1/2"	6"

S1263 One Piece Wooden Footboard and Hardware

Heel Loop Hardware Packages (not shown)

(All hardware is included to attach heel loops to footboard.)

Chair Width	Part Number	Package Includes
14-15" Wide	1033904-NLA	2 each Heel Loops 4 each Screw, PPH (1/4-20 x 3") 4 each Spacer (1/4 x 11/32 x 1-3/4") 4 each Locknut (1/4-20)
16"-24" Wide	1033905-NLA	2 each Heel Loops 4 each Screw, PPH (1/4-20 x 3") 4 each Spacer (1/4 x 11/32 x 1-3/4") 4 each Locknut (1/4-20)

Footrest and Legrest Accessories

NOTE: Heel loop replacements for Power Articulating Legrest can be found on the Power Articulating Legrest page.

Item Number	Note	Part Number	Description	Quantity Per	
				Package	Assembly
	A	1032243	Strap, Calf w/ Hook and Loop (36" L)	1	1
	A,C	1032214	H-Strap (24" L)	1	1
	A,D	1032215	H-Strap (26" L)	1	1
	A,E	1032216	H-Strap (31" L)	1	1
	A,B	8881038231	Kit, 3" Extension w/ Hardware (Pair)	2	1
	A,F	1026987	Guard, Impact (8" L)	1	2
	A	See Chart	Heel Loops and Hardware (Not Including AT5043/AT5543)	1	1
	A	See Chart	Attaching Hardware Part Numbers (Not Including AT5043/AT5543)	1	1
	A	See Chart	AT5043 and AT5543 Heel Loops, Heel Loops w/ Ankle Straps and Hardware	1	1
	A	See Chart	Toe Loops and Hardware	1	1

NOTE: A - Not Shown
 B - Specify frame color when ordering. See page titled "Frame Finishes and Touch-Up Paints".
 C - 12-14" wide seats
 D - 15-16" wide seats
 E - 17" and wider seats
 F - For 70 deg. Tapered Footrest.

Heel Loops and Hardware (Not Including AT5043/AT5543)

Footplate Type	Chair Width	Heel Loop Single #	Heel Loop Pair #	Heel Loop w/ Ankle Strap Single # Rt.	Heel Loop w/ Ankle Strap Single # Lt.	Heel Loop w/ Ankle Strap Pair #	Attaching Hardware Pair #
Composite Small (1651)	13-14" W or 15-17" W Tapered	1028412-NLA	1035912-NLA	1035908-NLA	1035909-NLA	1035906	1035931
Composite Medium (1651)	15-16" W or 18-19" W Tapered	1017621	1035917-NLA	1035919	1035920	1035918	1035931
Composite Large (1651)	17-24" W or 20-24" W Tapered	1017621	1035917-NLA	1035932-NLA	1035933-NLA	1035930	1035931
Standard Aluminum (1650)	14-15" W	1025234-NLA	1035905	1035908-NLA	1035909-NLA	1035906	1035907
Standard Aluminum (1650)	16-24" W	1017621	1035917-NLA	1035919	1035920	1035918	1035907
Deluxe Aluminum (1450)	16-24" W	1017621	1035917-NLA	1035919	1035920	1035918	1086112-NLA

Footrest and Legrest Accessories

NOTE: Heel loop replacements for Power Articulating Legrest can be found on the Power Articulating Legrest page.

Heel Loops and Hardware (Not Including AT5043/AT5543)

Footplate Type	Chair Width	Heel Loop Single #	Heel Loop Pair #	Heel Loop w/ Ankle Strap Single # Rt.	Heel Loop w/ Ankle Strap Single # Lt.	Heel Loop w/ Ankle Strap Pair #	Attaching Hardware Pair #
X-Large Aluminum (1350)	16-24" W	1017621	1035917-NLA	1035919	1035920	1035918	1055241

Attaching Hardware Part Numbers (Not Including AT5043/AT5543)

Footplate Type	Part Number	Part Number Consists of
Composite (1651)	1035931	(2) Screw, Phillips Pan Head (1/4-20 x 2-1/4") (2) Spacer (1/4 x 11/32 x 1-3/4") (2) Hex Nut w/ Nylon Cap (1/4-20) (2) Flat Washer (1/4 x 5/8 x 1/16")
Standard Aluminum (1650)	1035907	(2) Screw, Phillips Pan Head (1/4-20 x 2-1/2") (2) Spacer (1/4 x 11/32 x 1-3/4") (2) Locknut (1/4-20)
Deluxe Aluminum (1450)	1086112-NLA	(2) Screw, Phillips Pan Head (1/4-20 x 2-1/2") (2) Spacer (1/4 x 11/32 x 1-3/4") (2) Locknut (1/4-20)
X-Large Aluminum (1350)	1055241	(2) Screw, Phillips Pan Head (1/4-20 x 2-1/4") (2) Spacer (1/4 x 11/32 x 1-3/4") (2) Locknut (1/4-20)

Footrest and Legrest Accessories

NOTE: Heel loop replacements for Power Articulating Legrest can be found on the Power Articulating Legrest page.

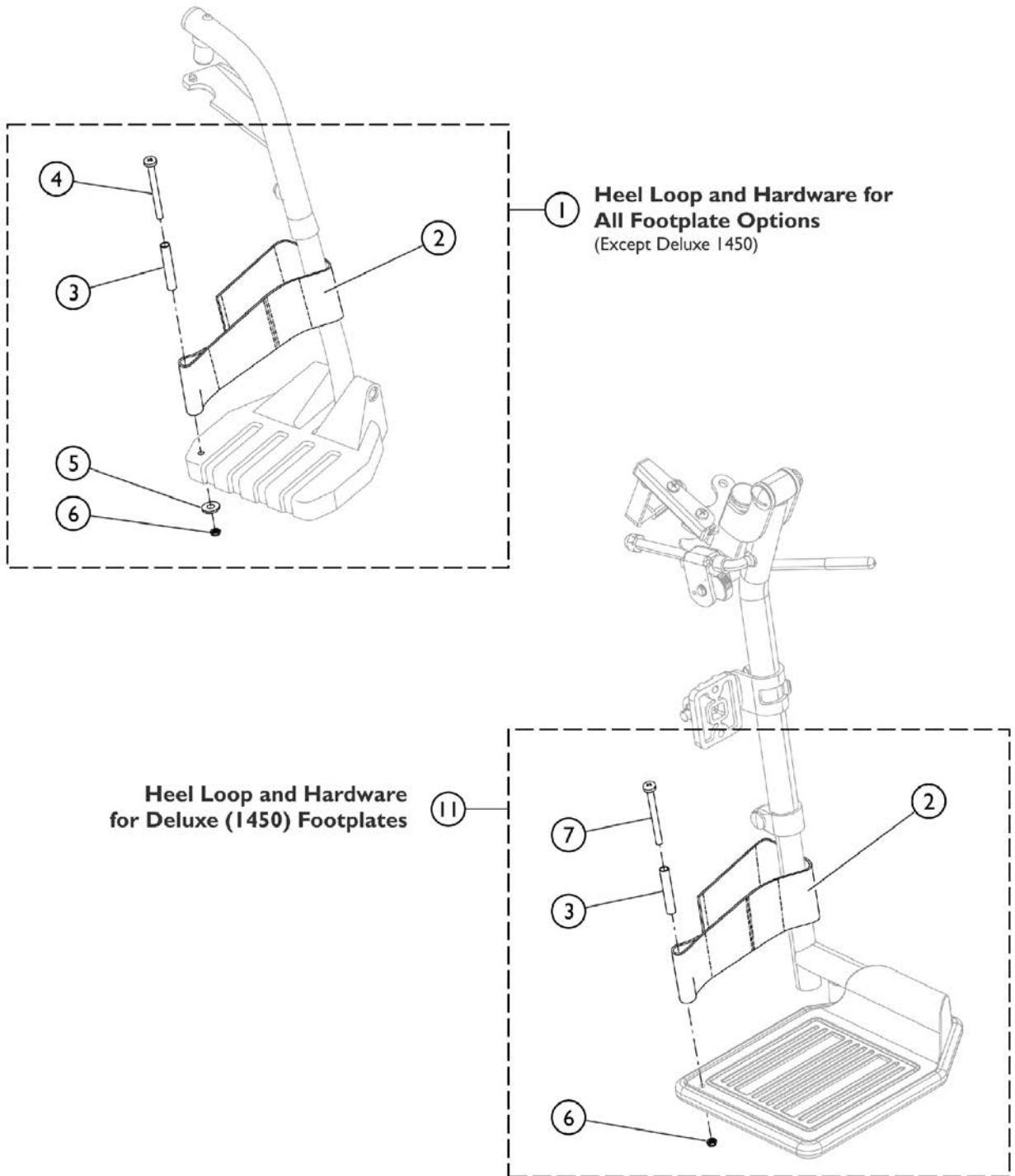
AT5043 and AT5543 Heel Loops, Heel Loops w/ Ankle Straps and Hardware

Footplate Type	Part Number	Part Number Consists of
AT5043 Flip-Up and AT5543 Adj. Angle	1160723 Kit, Heel Loop w/ Hardware, Adjustable Angle Footplate (Pair)	(2) Heel Loops (4) Screw, PPH (1/4-20 x 2-1/4") (4) Spacer (4) Locknut (1/4-20)
AT5043 Flip-Up and AT5543 Adj. Angle	1160724 Kit, Heel Loop w/ Ankle Strap and Hardware, Adjustable Angle Footplate (Pair)	(2) Heel Loops w/ Ankle Straps (4) Screw, PPH (1/4-20 x 2-1/4") (4) Spacer (4) Locknut (1/4-20)
Attaching Hardware Only	1035931 Kit, Heel Loop Attaching Hardware (Pair)	(2) Screw, Phillips Pan Head (1/4-20 x 2-1/4") (2) Spacer (1/4 x 11/32 x 1-3/4") (2) Hex Nut w/ Nylon Cap (1/4-20) (2) Flat Washer (1/4 x 5/8 x 1/16")

Toe Loops (1345) and Attaching Hardware

Footplate Type	Toe Loop w/o Hardware Single #	Toe Loop w/o Hardware Pair #	Attaching Hardware Part Number	Attaching Hardware Consists of
1651, 1650, 1450, 1350, Footplates	04572X025	1037087	1037089	(4) Screw, Phillips Pan Head (10-32 x 7/8") (4) Washer (1/4 x 3/4 x 3/32") (4) Locknut (10-32)
AT5043 and AT5543 Footplates	04572X025	1037087	1104749	(4) Screw, Phillips Pan Head (10-32 x 1/2") (4) Washer (1/4 x 3/4 x 3/32")

Front Riggings - Adjustable Heel Loops

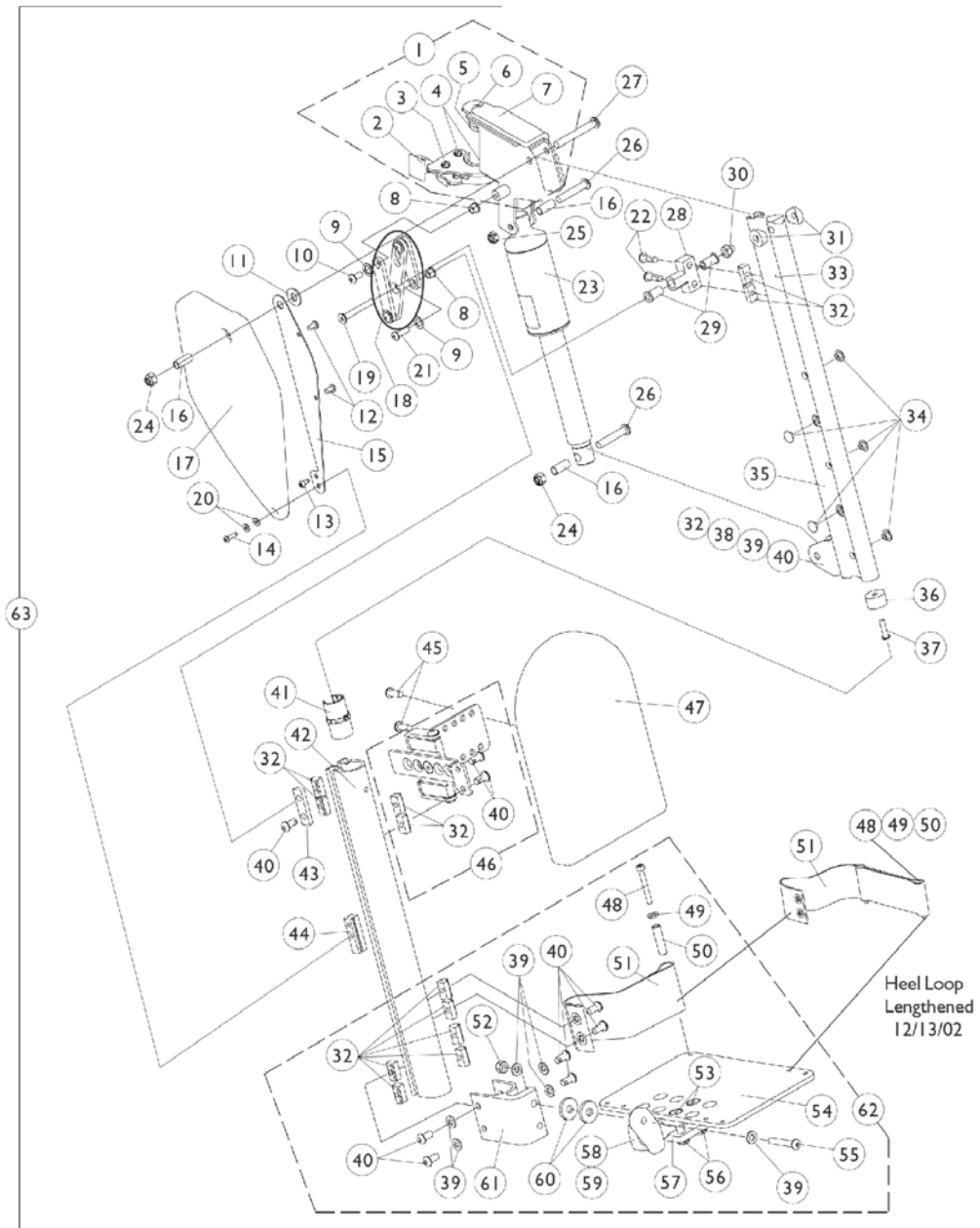


SCM_058A

Front Riggings - Adjustable Heel Loops

Item Number	Note	Part Number	Description	Quantity Per	
				Package	Assembly
1	A	1191117	Kit, Heel Loop, Adjustable w/ Hardware (Pair)	1	1
2			Heel Loop	1	2
3			NLA - Spacer (1/4 x 11/32 x 1-3/4")	1	2
4			NLA - Screw, Phillips Pan Head (1/4-20 x 2-1/4")	1	2
5			Washer, Flat (1/4 x 5/8 x 1/16")	1	2
6			Nut, Hex, Nylon Cap (1/4-20)	1	2
			Instruction Sheet, Adjustable Heel Loop	1	1
11	B	1191116	Kit, Heel Loop, Adjustable w/ Hardware, Deluxe 1450 (Pair)	1	1
2			Heel Loop	1	2
3			NLA - Spacer (1/4 x 11/32 x 1-3/4")	1	2
6			Nut, Hex, Nylon Cap (1/4-20)	1	2
7			NLA - Screw, Phillips Pan Head (1/4-20 x 2-1/2")	1	2
			Instruction Sheet, Adjustable Heel Loop	1	1
NOTE: A - Kit includes items 2 - 6. Used with all Footplates except Deluxe (1450). B - Kit includes items 2, 3, 6, and item 7. Used with Deluxe (1450) Footplates only.					

Power Articulating Legrest POWELR18/POWELR20 (Before 9/15/01)



Power Articulating Legrest POWELR18/POWELR20 (Before 9/15/01)

Item Number	Note	Part Number	Description	Quantity Per	
				Package	Assembly
1	A,G	1101112-NLA	NLA - Legrest Support Assembly, Sector, Black - Right	1	1
1	A,G	1101113-NLA	NLA - Legrest Support Assembly, Sector, Black - Left	1	1
2		1025454	Housing, Latch - Right	1	1
2		1025455	Housing, Latch - Left	1	1
3		7930314	Package, Screw, Slotted Hex Washer Head (#10-32 x 1/2")	1	1
4		1025451	Screw, Slotted Hex Washer Head (#10-32 x 5/8")	25	2
5		1099685	Plug, Pivot	1	1
6		1091870	Screw, Socket Button Head w/ Patch (1/4-20 x 3/4")	1	1
7	G	1099694-NLA	NLA - Pad, Cushion - Right	1	1
7	G	1099695-NLA	NLA - Pad, Cushion - Left	1	2
8		1099671	Bearing, Flange (1/4 x 5/16" Long)	1	2
9		1040755	Spacer, Nylon (3/8 x 7/8 x 1/32")	1	1
10		1006773-NLA	NLA - Screw, Socket Button Head (1/4-20 x 1/2")	1	1
11		1012371	Washer, Nylon (3/8 x 7/8 x 1/16")	1	2
12		1022597	Screw, Phillips Pan Head Tap (#10-32 x 3/8")	1	1
13		1025729	Screw, Phillips Pan Head Tap (#8-32 x 3/8")	1	1
14		1014386-NLA	NLA - Screw, Phillips Pan Head (#8-32 x 5/8")	1	1
15	G	1099699-NLA	NLA - Bracket, Cover	1	3
16	G	1099687-NLA	NLA - Sleeve (5/16 x 3/8 x 7/8")	1	1
17	G	1099692-NLA	NLA - Cover, Legrest Support - Right	1	1
17	G	1099693-NLA	NLA - Cover, Legrest Support - Left	1	1
18		1102934	Linkage Assembly, Power Leg	1	1
19		60285X012-NLA	NLA - Screw, Socket Flat Head (1/4-20 x 2")	1	1
20		1043599-NLA	NLA - Washer, Flat (5/32 x 3/8 x 1/32")	1	2
21		1009838	Screw, Socket Button (1/4-20 x 3/4")	1	1
22		1091870	Screw, Socket Button Head w/ Patch (1/4-20 x 3/4")	1	2
23		1101398-NLA	NLA - Motor, Actuator	1	1
24		1026158	Locknut (5/16-18)	1	2
25		1028769	Locknut (5/16-18)	1	1
26		1101267-NLA	NLA - Screw, Socket Button Head (5/16-18 x 1-1/2")	1	2
27		1101214-NLA	NLA - Screw, Socket Button Head (5/16-18 x 2-1/2")	1	1
28		1099667-NLA	NLA - Block, Pivot	1	1
29		1099684	Bearing, Flange (1/4 x 3/4" Long)	1	2
30		1044214	Nut, Hex with Nylon Cap (1/4-20)	1	1
31		0175600	Spacer, Coved (5/16 x 3/4 x 3/8")	1	2
32		1082699	T-Nut (1/4-20)	1	14
33		1038785-NLA	NLA - Pin, Roll (1/8 x 3/8")	1	1
34		1101883	Glide	1	5
35	B,G	1104102-NLA	NLA - Extrusion, Internal Slide - Short (16-3/4" L)	1	1
35	B,H	1104104-NLA	NLA - Extrusion, Internal Slide Long (18-3/4" L)	1	1

Power Articulating Legrest POWELR18/POWELR20 (Before 9/15/01)

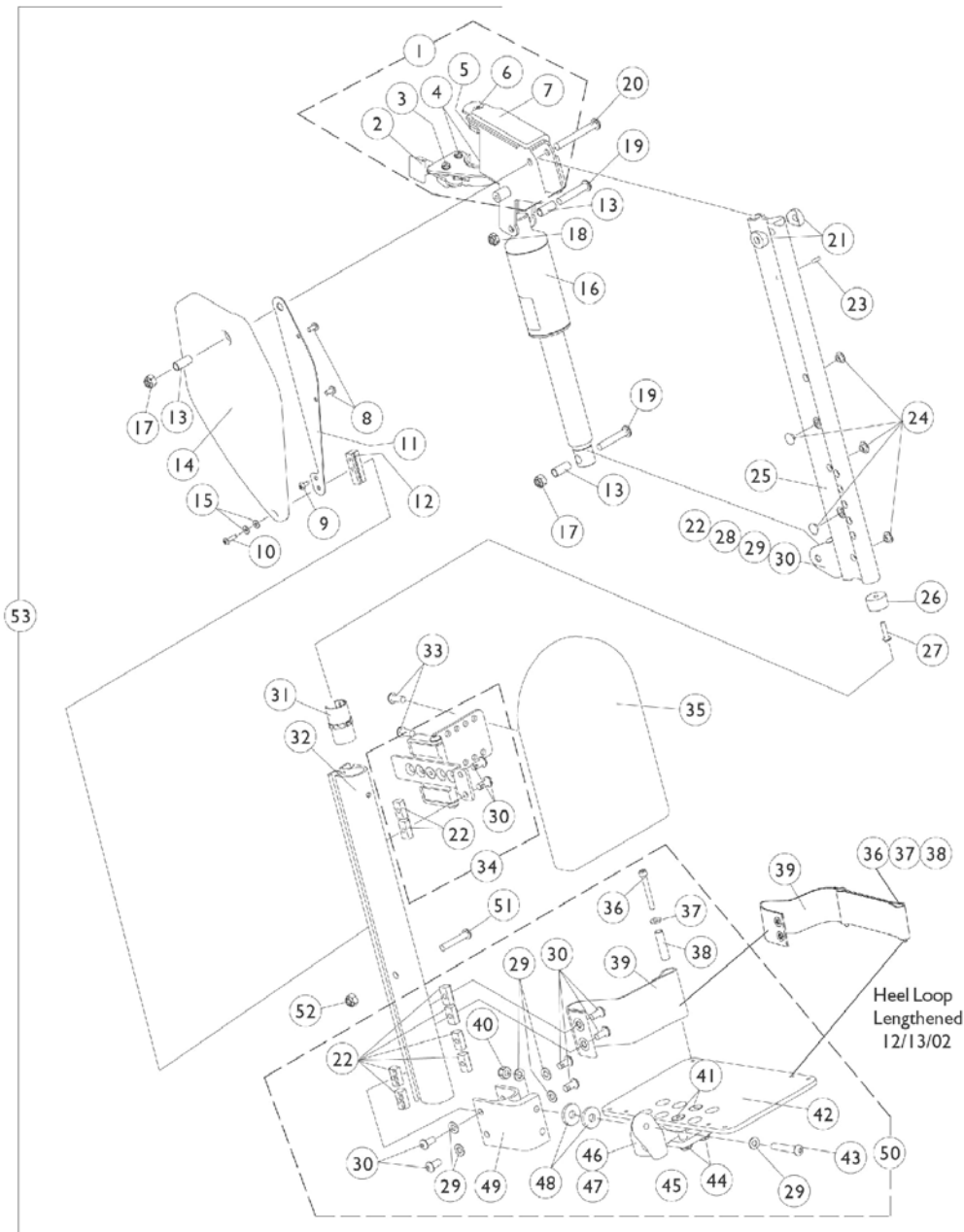
Item Number	Note	Part Number	Description	Quantity Per	
				Package	Assembly
36		1099702	Glide, Internal	1	1
37		1018846	Screw, Socket Button Head (#10-24 x 3/4")	1	1
38	G	1099698-NLA	NLA - Bracket, Actuator	1	1
39		1026907	Washer (1/4 x 1/2 x 1/16")	1	8
40		1100023	Screw, Button Head w/ Patch (1/4-20 x 1/2")	1	11
41	G	1099686-NLA	NLA - Bearing, Linear	1	1
42		1099676-NLA	NLA - Extrusion, External - Short (14-1/2" L)	1	1
42		1099679-NLA	NLA - Extrusion, External - Long (16-1/2" L)	1	1
43		1099665-NLA	NLA - Plate, Side Pivot	1	1
44	G	1099666-NLA	NLA - Block, Slide	1	1
45		7930335-NLA	NLA - Package, Screw, Phillips Pan Head (#10-32 x 1/2")	25	2
46	G	1101116-NLA	NLA - Calf Pad Bracket Assembly, Black	1	1
47		88804529X003	Pad, Legrest, Vinyl - Right	1	1
47		88804529X004	Pad, Legrest, Vinyl - Left	1	1
48		1023965-NLA	NLA - Screw, Socket Head (#10-32 x 1-1/2")	1	2
49		1028516	Washer, Steel (3/16 x 7/16 x 1/16")	1	2
50		1015629-NLA	NLA - Bushing	1	2
51	F	1101268	Heel Loop Assembly - Right	1	1
51	F	1101269	Heel Loop Assembly - Left	1	1
52		7930333	Locknut (1/4-20)	25	1
53		1029545	Screw, Socket Flat Head (1/4-20 x 3/4")	1	2
54		1060427-NLA	NLA - Footplate, Adjustable Angle, Large, Black (5-1/4" W x 8" L)	1	1
55		1008495	Screw, Socket Button Head (1/4-20 x 1-1/2")	1	1
56		1082686	Nut, Barrel, Hex Head (1/4-20 x 11/16")	1	2
57		1058517	Clamp, Footplate	1	1
58		1052102	Hinge, Footplate - Right	1	1
58		1052103	Hinge, Footplate - Left	1	1
59		1048816	Screw, Nylon Adjustment (1/2-13 x 7/8")	1	1
60		7930313	Package, Washer, Nylon (5/16 x 7/8 x 1/8")	25	2
61		1099678	Extrusion, Footplate Adapter	1	1
62	D	1101114	Footplate Assembly, Adjustable Angle, Black - Right (5-1/4" W)	1	1
62	D	1101115	Footplate Assembly, Adjustable Angle, Black - Left (5-1/4" W)	1	1
63	C,E	1099704-NLA	NLA - Legrest, Power Articulating, Sector, Black, Short (13"-18" Range) - Right	1	1
63	C,E	1099705-NLA	NLA - Legrest, Power Articulating, Sector, Black, Short (13"-18" Range) - Left	1	1
63	C,E	1099706-NLA	NLA - Legrest Assembly, Power Articulating, Sector, Black, Long (15"-20" Range) - Right	1	1
63	C,E	1099707-NLA	NLA - Legrest Assembly, Power Articulating, Sector, Black, Long (15"-20" Range) - Left	1	1

Power Articulating Legrest POWELR18/POWELR20 (Before 9/15/01)

NOTE:	A - Includes items 2-7
	B - Includes items 32, 33, 38-40
	C - Power articulating legrest before 9/15/01 NLA. See power articulating legrest dated after 7/26/04. Legrest must be ordered in pairs to match.
	D - Includes items 32, 39, 40, 48-61
	E - Includes items 1, 8-32,7, 41-47, 62
	F - Heel loop service part was lengthened 12/13/02. Verify with customer if longer heel loop is present. Order in pairs when needed along with 2 each of items 48, 49 and 50.
	G - No longer available, see item 63 part numbers 1099704 and 1099705
	H - No longer available, see item 63 part numbers 1099706 and 1099707

Power Non-Articulating Legrest

POWERLR18/POWERLR20 (9/15/01 Thru 4/30/02)



Power Non-Articulating Legrest POWERLR18/POWERLR20 (9/15/01 Thru 4/30/02)

Item Number	Note	Part Number	Description	Quantity Per	
				Package	Assembly
1	A,F	1101112-NLA	NLA - Legrest Support Assembly, Sector, Black - Right	1	1
1	A,F	1101113-NLA	NLA - Legrest Support Assembly, Sector, Black - Left	1	1
2		1025454	Housing, Latch - Right	1	1
2		1025455	Housing, Latch - Left	1	1
3		7930314	Package, Screw, Slotted Hex Washer Head (#10-32 x 1/2")	25	1
4		1025451	Screw, Slotted Hex Washer Head (#10-32 x 5/8")	1	2
5		1099685	Plug, Pivot	1	1
6		1091870	Screw, Socket Button Head w/ Patch (1/4-20 x 3/4")	1	1
7	F	1099694-NLA	NLA - Pad, Cushion - Right	1	1
7	F	1099695-NLA	NLA - Pad, Cushion - Left	1	1
8		1022597	Screw, Phillips Pan Head Tap (#10-32 x 3/8")	1	2
9		1025729	Screw, Phillips Pan Head Tap (#8-32 x 3/8")	1	1
10		1014386-NLA	NLA - Screw, Phillips Pan Head (#8-32 x 5/8")	1	1
11	F	1099699-NLA	NLA - Bracket, Cover	1	1
12	F	1099666-NLA	NLA - Block, Slide	1	1
13	F	1099687-NLA	NLA - Sleeve (5/16 x 3/8 x 7/8")	1	3
14	F	1099692-NLA	NLA - Cover, Legrest Support - Right	1	1
14	F	1099693-NLA	NLA - Cover, Legrest Support - Left	1	1
15		1043599-NLA	NLA - Washer, Flat (5/32 x 3/8 x 1/32")	1	2
16		1101398-NLA	NLA - Motor, Actuator	1	1
17		1026158	Locknut (5/16-18)	1	2
18		1028769	Locknut (5/16-18)	1	1
19		1101267-NLA	NLA - Screw, Socket Button Head (5/16-18 x 1-1/2")	1	2
20		1101214-NLA	NLA - Screw, Socket Button Head (5/16-18 x 2-1/2")	1	1
21		0175600	Spacer, Coved (5/16 x 3/4 x 3/8")	1	2
22		1082699	T-Nut (1/4-20)	1	10
23		1038785-NLA	NLA - Pin, Roll (1/8 x 3/8")	1	1
24		1101883	Glide	1	5
25	F	1109310-NLA	NLA - Extrusion, Internal Slide (16-3/4" L)	1	1
26		1099702	Glide, Internal	1	1
27		1018846	Screw, Socket Button Head (#10-24 x 3/4")	1	1
28	F	1099698-NLA	NLA - Bracket, Actuator	1	1
29		1026907	Washer (1/4 x 1/2 x 1/16")	1	8
30		1100023	Screw, Button Head w/ Patch (1/4-20 x 1/2")	1	10
31	F	1099686-NLA	NLA - Bearing, Linear	1	1
32	F	1109311-NLA	NLA - Extrusion, External - Right (14-1/2" L)	1	1
32	F	1109312-NLA	NLA - Extrusion, External - Left (14-1/2" L)	1	1
33		7930335-NLA	NLA - Package, Screw, Phillips Pan Head (#10-32 x 1/2")	25	2
34	F	1101116-NLA	NLA - Calf Pad Bracket Assembly, Black	1	1
35		88804529X003	Pad, Legrest, Vinyl - Right	1	1

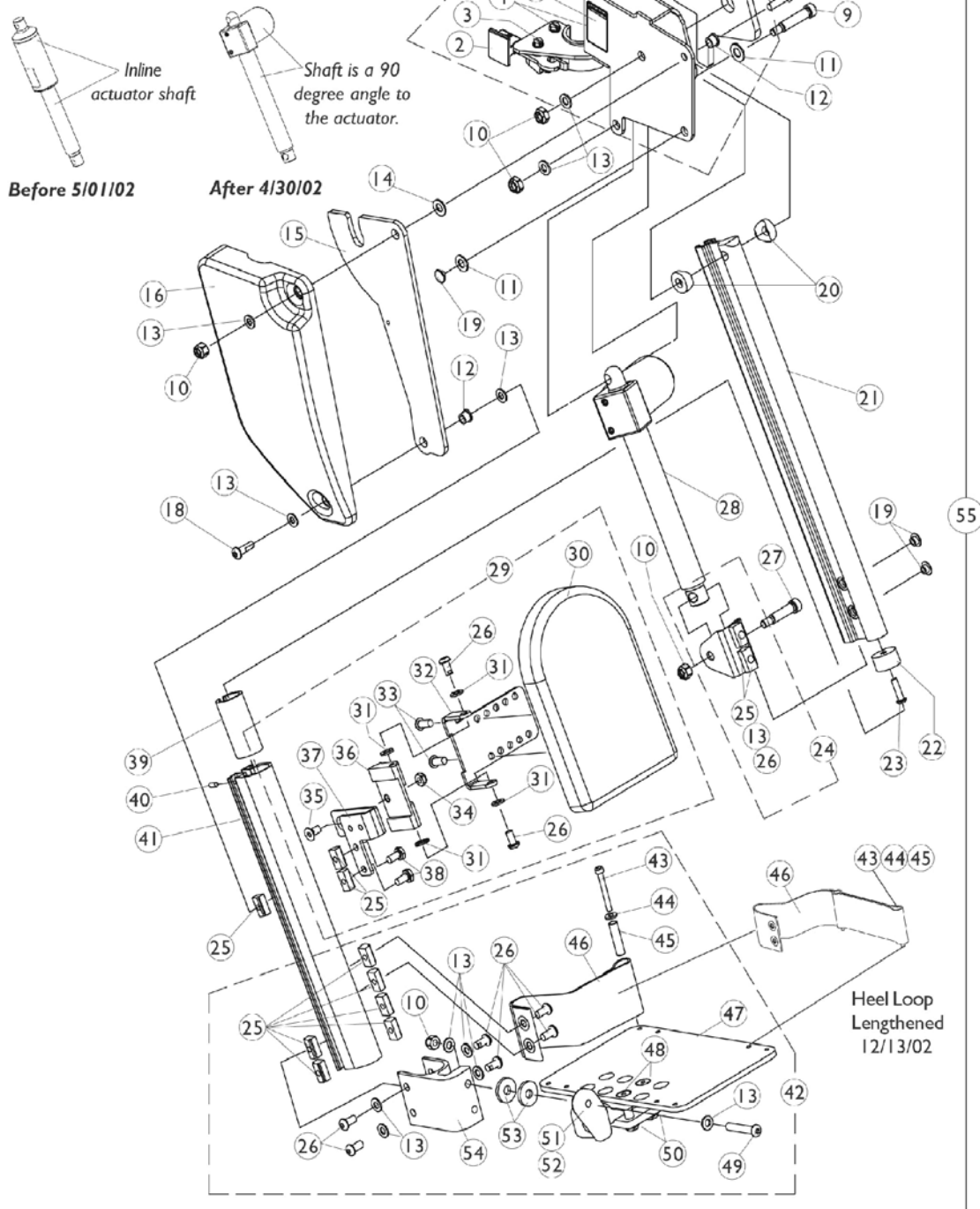
Power Non-Articulating Legrest POWERLR18/POWERLR20 (9/15/01 Thru 4/30/02)

Item Number	Note	Part Number	Description	Quantity Per	
				Package	Assembly
35		88804529X004	Pad, Legrest, Vinyl - Left	1	1
36		1023965-NLA	NLA - Screw, Socket Head (#10-32 x 1-1/2")	1	2
37		1028516	Washer, Steel (3/16 x 7/16 x 1/16")	1	2
38		1015629-NLA	NLA - Bushing	1	2
39	E	1101268	Heel Loop Assembly - Right	1	1
39	E	1101269	Heel Loop Assembly - Left	1	1
40		7930333	Locknut (1/4-20)	25	1
41		1029545	Screw, Socket Flat Head (1/4-20 x 3/4")	1	2
42		1060427-NLA	NLA - Footplate, Adjustable Angle, Large, Black (5-1/4" W x 8" L)	1	1
43		1008495	Screw, Socket Button Head (1/4-20 x 1-1/2")	1	1
44		1082686	Nut, Barrel, Hex Head (1/4-20 x 11/16")	1	2
45		1058517	Clamp, Footplate	1	1
46		1052102	Hinge, Footplate - Right	1	1
46		1052103	Hinge, Footplate - Left	1	1
47		1048816	Screw, Nylon Adjustment (1/2-13 x 7/8")	1	1
48		7930313	Package, Washer, Nylon (5/16 x 7/8 x 1/8")	25	2
49		1099678	Extrusion, Footplate Adapter	1	1
50	B	1101114	Footplate Assembly, Adjustable Angle, Black - Right (5-1/4" W)	1	1
50	B	1101115	Footplate Assembly, Adjustable Angle, Black - Left (5-1/4" W)	1	1
51		1008432	Screw, Socket Button Head (1/4-20 x 1-1/4")	1	1
52		1025736	Locknut (1/4-20)	25	1
53	C,D	1109313-NLA	NLA - Legrest, Power Non-Articulating, Sector, Black (13"-20" Range) - Right	1	1
53	C,D	1109314-NLA	NLA - Legrest, Power Non-Articulating, Sector, Black (13"-20" Range) - Left	1	1

NOTE: A - Includes Items 2-7
 B - Includes Items 22, 29, 30, 36-49
 C - Includes Items 1, 8-35 and 50-52
 D - Power Non-articulating legrest NLA. See power articulating legrest dated after 7/26/04. A pair will be required to have articulation on both sides.
 E - Heel loop service part was lengthened 12/13/02. Verify with customer if longer heel loop is present. Order in pairs when needed along with 2 each of items 36, 37 and 38.
 F - No longer available, see item 53 part numbers 1109313 and 1109314

Power Articulating Legrest ELRPW (Between 5/1/02-7/26/04)

NOTE: One key visual difference between power legrest before 5/01/02 and after 4/30/02 is the motor actuator as shown below. This will help to identify what version a Customer is using.



Power Articulating Legrest ELRPW (Between 5/1/02-7/26/04)

Item Number	Note	Part Number	Description	Quantity Per	
				Package	Assembly
1	A	1111720-NLA	NLA - Legrest Support Assembly, Sector, Black - Right	1	1
1	A	1111721-NLA	NLA - Legrest Support Assembly, Sector, Black - Left	1	1
2		1025454	Housing, Latch - Right	1	1
2		1025455	Housing, Latch - Left	1	1
3		1017423	Screw, Slotted Hex Washer Head w/ Patch (#10-32 x 1/2")	1	1
4		1025451	Screw, Slotted Hex Washer Head (#10-32 x 5/8")	1	2
5		1079203	Decal, Warning Pinch Point	1	1
6		1099685	Plug, Pivot	1	1
7		1091870	Screw, Socket Button Head w/ Patch (1/4-20 x 3/4")	1	1
8	J	1110968-NLA	NLA - Pad, Cushion - Right	1	1
8	J	1110969-NLA	NLA - Pad, Cushion - Left	1	1
9		1025351-NLA	NLA - Screw, Shoulder Hex Socket Head (5/16" x 1-1/4", 1/4-20)	1	2
10		1025736	Locknut (1/4-20)	1	5
11		1025704	Washer, Flat (5/16 x 5/8 x 1/16")	1	2
12		1099671	Bearing, Flange (1/4 x 5/16" Long)	1	2
13		1026907	Washer (1/4 x 1/2 x 1/16")	1	12
14		1012371	Washer, Nylon (3/8 x 7/8 x 1/16")	1	1
15		1110745-NLA	NLA - Plate, Pivot	1	1
16		1110746	Cover, Legrest Support - Right	1	1
16		1110747	Cover, Legrest Support - Left	1	1
17		1009837	Screw, Socket Button Head (1/4-20 x 1")	1	1
18		1091870	Screw, Socket Button Head w/ Patch (1/4-20 x 3/4")	1	1
19		1101883	Glide	1	3
20		0175600	Spacer, Coved (5/16 x 3/4 x 3/8")	1	2
21		1110741	Extrusion, Internal Slide (14-1/4" L)	1	1
22		1099702	Glide, Internal	1	1
23		1018846	Screw, Socket Button Head (#10-24 x 3/4")	1	1
24	B	1110972	Actuator Motor Bracket Assembly	1	1
25		1082699	T-Nut (1/4-20)	1	11
26		1100023	Screw, Button Head w/ Patch (1/4-20 x 1/2")	1	10
27		1087417-NLA	NLA - Screw, Shoulder Hex Socket Head (5/16" x 1", 1/4-20)	1	1
28		1110724	Motor, Actuator - Right	1	1
28		1110725	Motor, Actuator - Left	1	1
29	C	8881110977	Calf Pad Assembly with Hardware - Right	1	1
29	C	8881111715	Calf Pad Assembly with Hardware - Left	1	1
30		88804529X003	Pad, Legrest, Vinyl - Right	1	1
30		88804529X004	Pad, Legrest, Vinyl - Left	1	1
	D,G	1110748-NLA	NLA - Hardware, Calf Pad Bracket	1	1
31		1026033	Washer, Nylon (1/4 x 1/2 x 1/16")	1	4

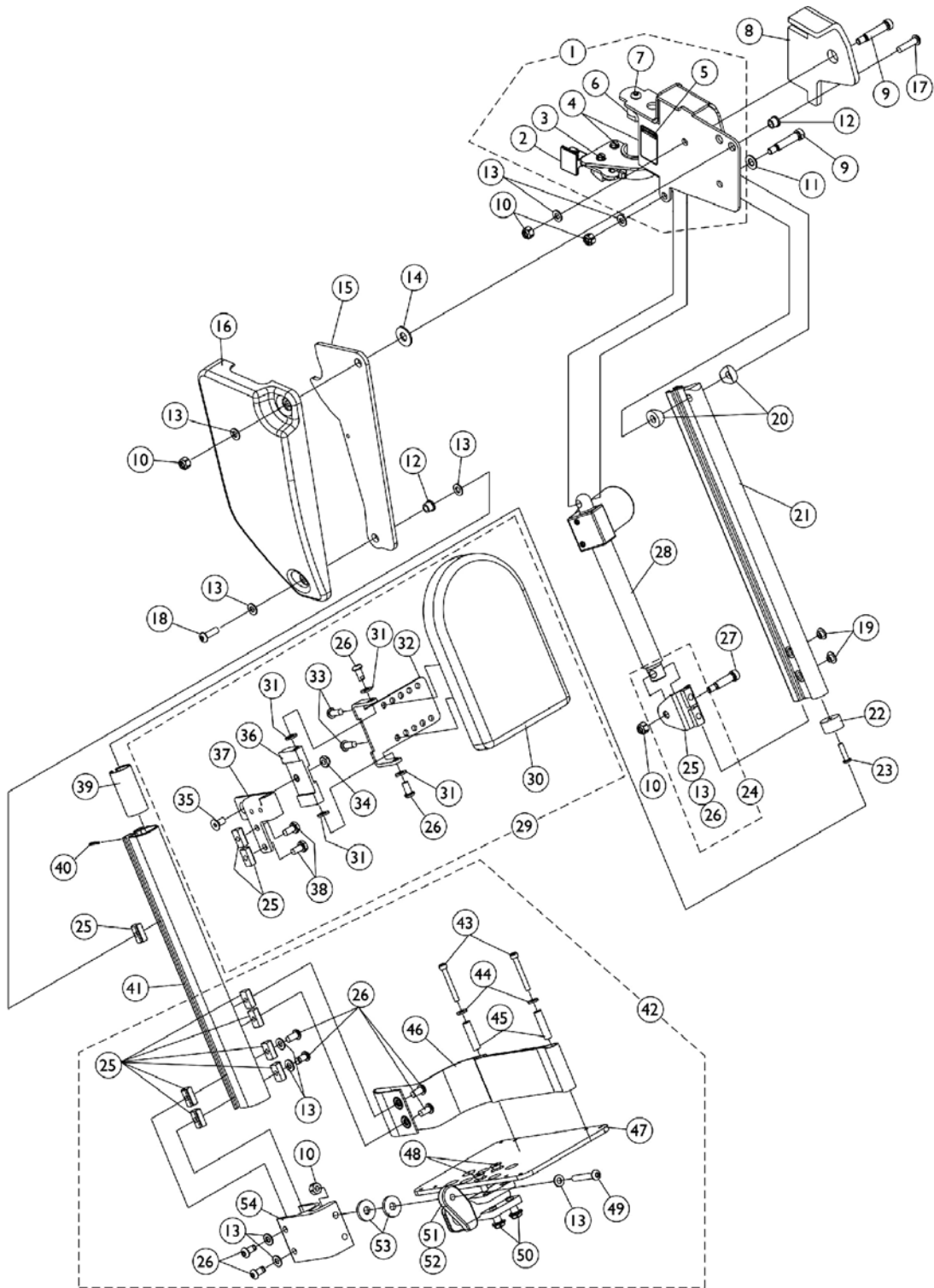
Power Articulating Legrest ELRPW (Between 5/1/02-7/26/04)

Item Number	Note	Part Number	Description	Quantity Per	
				Package	Assembly
32		1099700-NLA	NLA - Bracket, Calf Pad Mounting, Black	1	1
33		1029157	Screw, Phillips Pan Head w/Patch (#10-32 x 7/8")	1	2
34		1025765	Locknut (1/4-28)	1	1
35		1074191-NLA	NLA - Screw, Socket Flat Head (1/4-28 x 1/2")	1	1
36		1099690-NLA	NLA - Block, Calf Pad	1	1
37		1111716	Bracket, Calf Pad Block Mounting, Black - Right	1	1
37		1111717	Bracket, Calf Pad Block Mounting, Black - Left	1	1
38		1078214	Screw, Hex Head w/ Patch (1/4-20 x 1/2")	1	2
39		1110742	Bushing, Sleeve	1	1
40		1079151-NLA	NLA - Pin, Roll (5/64 x 5/8")	1	1
41		1110734-NLA	NLA - Extrusion, External - ELRPW (10-1/2" L)	1	1
42	E	1101114	Footplate Assembly, Adjustable Angle, Black - Right (5-1/4" W)	1	1
42	E	1101115	Footplate Assembly, Adjustable Angle, Black - Left (5-1/4" W)	1	1
43		1023965-NLA	NLA - Screw, Socket Head (#10-32 x 1-1/2")	1	2
44		1028516	Washer, Steel (3/16 x 7/16 x 1/16")	1	2
45		1015629-NLA	NLA - Bushing	1	2
46	H	1101268	Heel Loop Assembly - Right	1	1
46	H	1101269	Heel Loop Assembly - Left	1	1
47		1060427-NLA	NLA - Footplate, Adjustable Angle, Large, Black (5-1/4" W x 8" L)	1	1
48		1029545	Screw, Socket Flat Head (1/4-20 x 3/4")	1	2
49		1008495	Screw, Socket Button Head (1/4-20 x 1-1/2")	1	1
50		1082686	Nut, Barrel, Hex Head (1/4-20 x 11/16")	1	2
51		1052102	Hinge, Footplate - Right	1	1
51		1052103	Hinge, Footplate - Left	1	1
52		1048816	Screw, Nylon Adjustment (1/2-13 x 7/8")	1	1
53		1016301	Washer, Nylon (5/16 x 7/8 x 1/8")	1	2
54		1099678	Extrusion, Footplate Adapter	1	1
55	F,F1,I	1110743-NLA	NLA - Legrest Assembly, Power Articulating, Sector, Black (13"-20" Range) - Right	1	1
55	F,F1,I	1110744-NLA	NLA - Legrest Assembly, Power Articulating, Sector, Black (13"-20" Range) - Left	1	1

Power Articulating Legrest ELRPW (Between 5/1/02-7/26/04)

NOTE: A - Includes items 2-8
B - Includes items 13, 25 and 26
C - Includes Items 25, 26 and 30-38
D - Includes Items 25, 26, 31-36, 38
E - Includes Items 10, 13, 25, 26 and 43-54
F - After 4/30/02 MKIV T.A.C. controller software changed from 1.1 to 1.2 to accommodate power articulating legrest made after 4/30/02.
F1 - A new MKIV T.A.C. controller part number 1109552 must be ordered when replacing power articulating or non-articulating legrest made before 5/1/02. Verify software version before ordering.
G - Not Shown
H - Heel loop service part was lengthened 12/13/02. Verify with customer if longer heel loop is present. Order in pairs when needed along with 2 each of items 43, 44 and 45.
I - Due to a product enhancement that provides a higher pivot point at the knee, a customer must order a complete right and left side legrest assembly. see page titled "Power Articulating Legrest After 7/26/04".
J - No longer available individually. See Item number 1 for replacement.

Power Articulating Legrest ELRPW After 7/26/04



Power Articulating Legrest ELRPW After 7/26/04

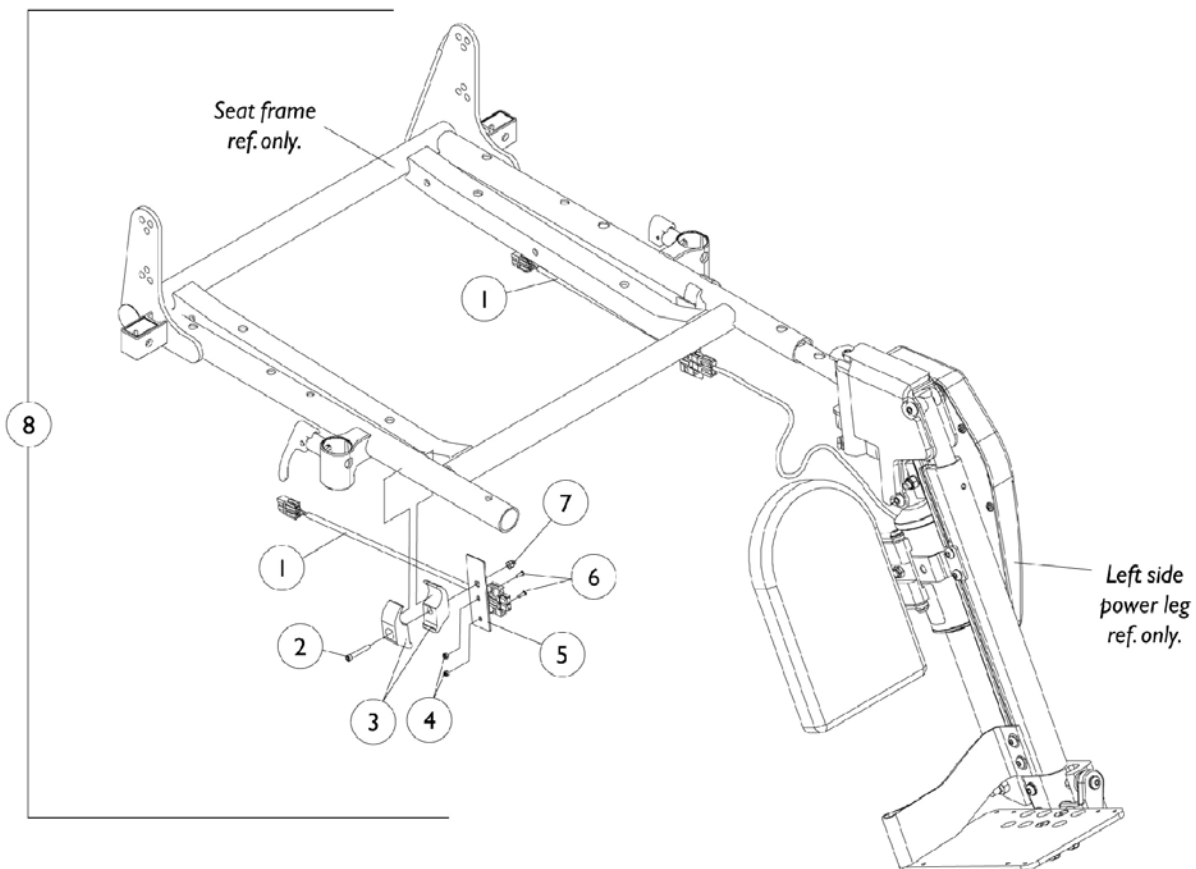
Item Number	Note	Part Number	Description	Quantity Per	
				Package	Assembly
1	A	1125436	Legrest Support Assembly, Sector, Black - Right	1	1
1	A	1125437	Legrest Support Assembly, Sector, Black - Left	1	1
2		1025454	Housing, Latch - Right	1	1
2		1025455	Housing, Latch - Left	1	1
3		1017423	Screw, Slotted Hex Washer Head w/ Patch (#10-32 x 1/2")	1	1
4		1025451	Screw, Slotted Hex Washer Head (#10-32 x 5/8")	1	2
5		1079203	Decal, Warning Pinch Point	1	1
6		1099685	Plug, Pivot	1	1
7		1091870	Screw, Socket Button Head w/ Patch (1/4-20 x 3/4")	1	1
8		1125433	Pad, Cushion - Right	1	1
8		1125434	Pad, Cushion - Left	1	1
9		1025351-NLA	NLA - Screw, Shoulder Hex Socket Head (5/16" x 1-1/4", 1/4-20)	1	2
10		1025736	Locknut (1/4-20)	1	5
11		1025704	Washer, Flat (5/16 x 5/8 x 1/16")	1	1
12		1099671	Bearing, Flange (1/4 x 5/16" Long)	1	2
13		1026907	Washer (1/4 x 1/2 x 1/16")	1	12
14		1012371	Washer, Nylon (3/8 x 7/8 x 1/16")	1	1
15		1125424	Plate, Pivot	1	1
16		1110746	Cover, Legrest Support - Right	1	1
16		1110747	Cover, Legrest Support - Left	1	1
17		1009837	Screw, Socket Button Head (1/4-20 x 1")	1	1
18		1091870	Screw, Socket Button Head w/ Patch (1/4-20 x 3/4")	1	1
19		1101883	Glide	1	2
20		0175600	Spacer, Coved (5/16 x 3/4 x 3/8")	1	2
21		1110741	Extrusion, Internal Slide (14-1/4" L)	1	1
22		1099702	Glide, Internal	1	1
23		1018846	Screw, Socket Button Head (#10-24 x 3/4")	1	1
24	B	1110972	Actuator Motor Bracket Assembly	1	1
25		1082699	T-Nut (1/4-20)	1	11
26		1100023	Screw, Button Head w/ Patch (1/4-20 x 1/2")	1	10
27		1087417-NLA	NLA - Screw, Shoulder Hex Socket Head (5/16" x 1", 1/4-20)	1	1
28		1110724	Motor, Actuator - Right	1	1
28		1110725	Motor, Actuator - Left	1	1
29	C	8881110977	Calf Pad Assembly with Hardware - Right	1	1
29	C	8881111715	Calf Pad Assembly with Hardware - Left	1	1
30		88804529X003	Pad, Legrest, Vinyl - Right	1	1
30		88804529X004	Pad, Legrest, Vinyl - Left	1	1
	D,F	1110748-NLA	NLA - Hardware, Calf Pad Bracket	1	1
31		1026033	Washer, Nylon (1/4 x 1/2 x 1/16")	1	4
32		1099700-NLA	NLA - Bracket, Calf Pad Mounting, Black	1	1
33		1029157	Screw, Phillips Pan Head w/Patch (#10-32 x 7/8")	1	2

Power Articulating Legrest ELRPW After 7/26/04

Item Number	Note	Part Number	Description	Quantity Per	
				Package	Assembly
34		1025765	Locknut (1/4-28)	1	1
35		1074191-NLA	NLA - Screw, Socket Flat Head (1/4-28 x 1/2")	1	1
36		1099690-NLA	NLA - Block, Calf Pad	1	1
37		1111716	Bracket, Calf Pad Block Mounting, Black - Right	1	1
37		1111717	Bracket, Calf Pad Block Mounting, Black - Left	1	1
38		1078214	Screw, Hex Head w/ Patch (1/4-20 x 1/2")	1	2
39		1110742	Bushing, Sleeve	1	1
40		1079151-NLA	NLA - Pin, Roll (5/64 x 5/8")	1	1
41		1121026	Extrusion, External (12-1/2" L) (ELRPW22 Before 7/22/04) and (ELRPW20 After 7/21/04)	1	1
42	E	1101114	Footplate Assembly, Adjustable Angle, Black - Right (5-1/4" W)	1	1
42	E	1101115	Footplate Assembly, Adjustable Angle, Black - Left (5-1/4" W)	1	1
43		1023965-NLA	NLA - Screw, Socket Head (#10-32 x 1-1/2")	1	2
44		1028516	Washer, Steel (3/16 x 7/16 x 1/16")	1	2
45		1015629-NLA	NLA - Bushing	1	2
46		1101268	Heel Loop Assembly - Right	1	1
46		1101269	Heel Loop Assembly - Left	1	1
47		1060427-NLA	NLA - Footplate, Adjustable Angle, Large, Black (5-1/4" W x 8" L)	1	1
48		1029545	Screw, Socket Flat Head (1/4-20 x 3/4")	1	2
49		1008495	Screw, Socket Button Head (1/4-20 x 1-1/2")	1	1
50		1082686	Nut, Barrel, Hex Head (1/4-20 x 11/16")	1	2
51		1052102	Hinge, Footplate - Right	1	1
51		1052103	Hinge, Footplate - Left	1	1
52		1048816	Screw, Nylon Adjustment (1/2-13 x 7/8")	1	1
53		1016301	Washer, Nylon (5/16 x 7/8 x 1/8")	1	2
54		1099678	Extrusion, Footplate Adapter	1	1
55	G	1126091	Legrest Assembly, Power Articulating, Sector, Black (13 - 20" Range) - Right	1	1
55	G	1126092	Legrest Assembly, Power Articulating, Sector, Black (13 - 20" Range) - Left	1	1

NOTE: A - Includes items 2-7
 B - Includes items 13, 25 and 26
 C - Includes Items 25, 26 and 30-38
 D - Includes Items 25, 26, 31-36, 38
 E - Includes Items 10, 13, 25, 26 and 43-54
 F - Not Shown
 G - Power Legrest must be ordered in pairs when replacing older versions on chairs manufactured before 7/27/04

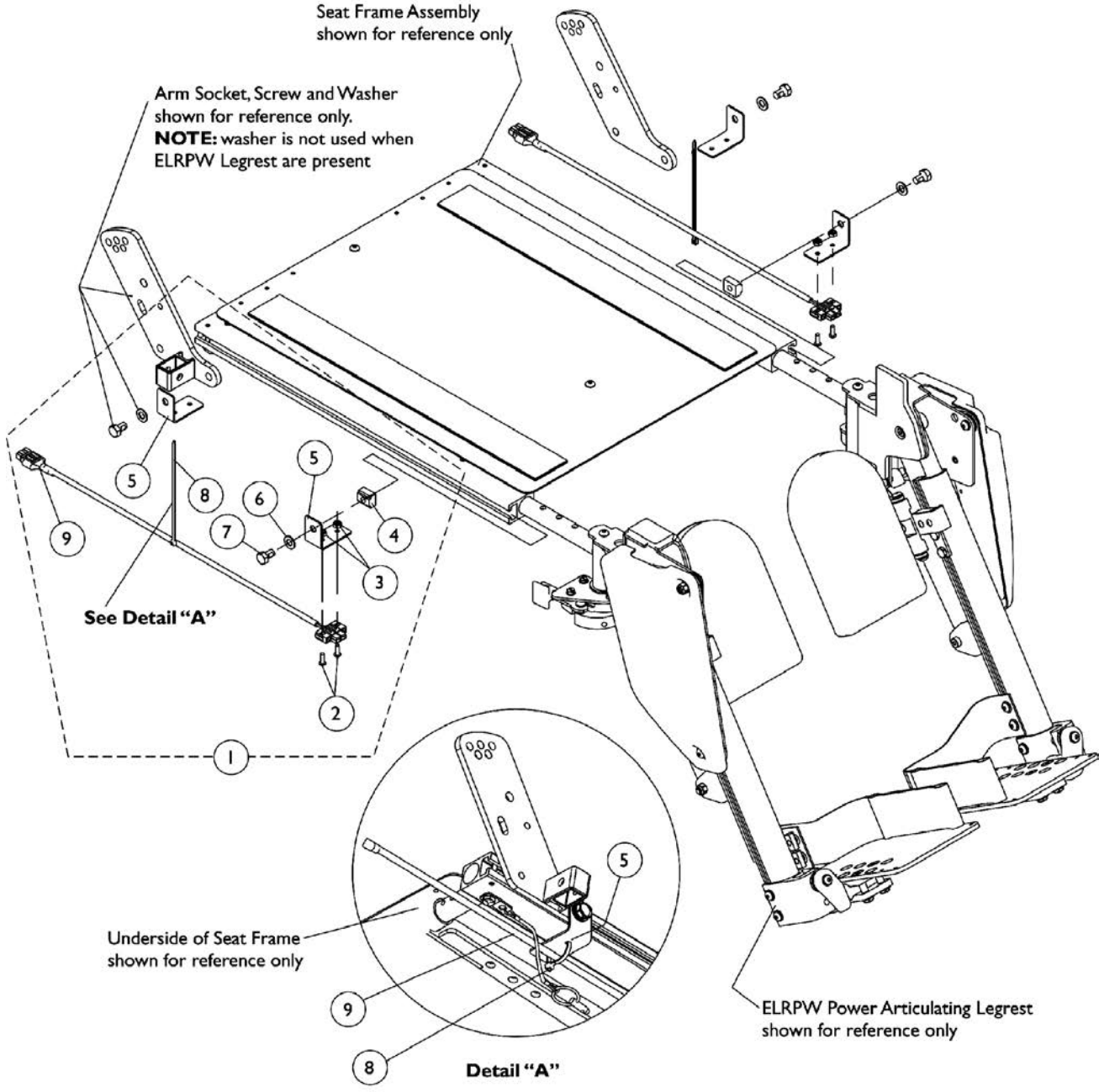
Power Articulating and Non-Articulating Legrest POWELR18/POWELR02/ELRPW Harnesses and Mounting Hardware (Before 7/5/05)



Item Number	Note	Part Number	Description	Quantity Per	
				Package	Assembly
1		1101400	Harness, ELRPW Power Legrest - Right	1	1
1		1101401	Harness, ELRPW Power Legrest - Left	1	1
2		1003424	Screw, Socket Head (1/4-20 x 1-3/4")	1	2
3		1018692-NLA	NLA - Clamp, Half, Non-Threaded	1	4
4		1056098	Locknut (#8-32)	1	4
5		1102022-NLA	NLA - Bracket, Harness Wire, Black	1	2
6		1091871-NLA	NLA - Screw, Socket Head (#8-32 x 5/8")	1	4
7		7930338-NLA	NLA - Nut, Acorn (1/4-20)	25	2
8	A	1101520-NLA	NLA - Kit, Power Leg Harness and Mounting Hardware	2	1
	B	1104253-NLA	NLA - Tie Wrap (8" L)	10	1

NOTE: A - Includes items 1-7
 B - Not Shown

Power Articulating Legrest ELRPW Harnesses and Hardware For ADJASBA Seat (After 7/4/05)



Power Articulating Legrest ELRPW Harnesses and Hardware For ADJASBA Seat (After 7/4/05)

Item Number	Note	Part Number	Description	Quantity Per	
				Package	Assembly
1	A,B	1125679-NLA	NLA - Kit, ELRPW Power Articulating Legrest Harnesses and Mounting Hardware (Pair)	2	1
2			NLA - Screw, Socket Head (#8-32 x 5/8")	1	4
3			Locknut (#8-32)	1	4
4			T-Nut (5/16-18)	1	2
5			NLA - Bracket, Wire Harness, Black	1	4
6			Washer, Flat (5/16 x 5/8 x 1/16")	1	2
7			NLA - Screw, Hex Head w/ Patch (5/16-18 x 1/2")	1	2
8			Tie Wrap (5-5/8" L)	1	2
9			NLA - Harness, ELRPW Power Legrest - Right	1	1
9			NLA - Harness, ELRPW Power Legrest - Left	1	1
NOTE: A - Includes items 2-9 B - On 2/28/07 the Dual Leg Actuator Module (DLIAM) harness cable that plugs into item #9 ELRPW Power Legrest Harness Assembly was lengthened from approximately 3" to 20" long to eliminate the need for the ELRPW Power Legrest Harness Assemblies					

Power Articulating Legrest Kits POWELR18 (Before 9/15/01)

NOTE: Power articulating legrest use sector style front rigging hangers and do not come included with kits. See page titled A.S.B.A. Seat Frame and Hardware for hanger assemblies.

NOTE: Torque SP with RII electronics must be upgraded to MKIV A electronics.

NOTE: For 3G bases, a new controller shroud cover may be required. See page titled Controller Shroud Covers.

POWELR18 with 4-way Switch and Non Quad Link Mounting Plate Assembly

Part Number	Description	Quantity
1104249-NLA See Note(s) B, A	Power Articulating Legrest Kit	1
1099704-NLA See Note(s) A	Legrest, Right, Short 18" (13"-18" Adj. Length)	1
1099705-NLA See Note(s) A	Legrest, Left, Short 18" (13"-18" Adj. Length)	1
1101520-NLA	Power Leg Harnesses and Mounting Hardware	1
1104248-NLA	T.A.C. Controller with Hardware	1
1080116-NLA	4-Way Switch	1
1077519	4-Way Switch Mounting Plate with Hardware	1
2001682	Cable Tie (8" Long)	10
1092659-NLA	Controller Bracket with Fastener Strips	1
1104911	Instruction Sheet, Power Articulating Legrest Kit	1

NOTE: A - Power articulating legrest and KITS before 9/15/01 are NLA. See power articulating legrest or KITS dated after 7/26/04. Legrest must be ordered in pairs to match.

B - Kit includes the 9 items listed below the kit part number

Power Articulating Legrest Kits

POWELR18 (Before 9/15/01)

NOTE: Power articulating legrest use sector style front rigging hangers and do not come included with kits. See page titled A.S.B.A. Seat Frame and Hardware for hanger assemblies.

NOTE: Torque SP with RII electronics must be upgraded to MKIV A electronics.

NOTE: For 3G bases, a new controller shroud cover may be required. See page titled Controller Shroud Covers.

POWELR18 with 4-way Switch and Quad Link Mounting Plate Assembly

Part Number	Description	Quantity
1104250-NLA See Note(s) A, B	Power Articulating Legrest Kit	1
1099704-NLA See Note(s) A	Legrest, Right, Short 18" (13"-18" Adj. Length)	1
1099705-NLA See Note(s) A	Legrest, Left, Short 18" (13"-18" Adj. Length)	1
1101520-NLA	Power Leg Harnesses and Mounting Hardware	1
1104248-NLA	T.A.C. Controller with Hardware	1
1080116-NLA	4-Way Switch	1
1077520	4-Way Switch Mounting Plate with Hardware	1
2001682	Cable Tie (8" Long)	10
1092659-NLA	Controller Bracket with Fastener Strips	1
1104911	Instruction Sheet, Power Articulating Legrest Kit	1

NOTE: A - Power articulating legrest and KITS before 9/15/01 are NLA. See power articulating legrest or KITS dated after 7/26/04. Legrest must be ordered in pairs to match.
B - Kit includes the 9 items listed below the kit part number

Power Articulating Legrest Kits POWELR20 (Before 9/15/01)

NOTE: Power articulating legrest use sector style front rigging hangers and do not come included with kits. See page titled A.S.B.A. Seat Frame and Hardware for hanger assemblies.

NOTE: Torque SP with RII electronics must be upgraded to MKIV A electronics.

NOTE: For 3G bases, a new controller shroud cover may be required. See page titled Controller Shroud Covers.

POWELR20 with 4-way Switch and Non Quad Link Mounting Plate Assembly

Part Number	Description	Quantity
1104251-NLA See Note(s) A, B	Power Articulating Legrest Kit	1
1099706-NLA See Note(s) A	Legrest, Right, Long 20" (15"-20" Adj. Length)	1
1099707-NLA See Note(s) A	Legrest, Left, Long 20" (15"-20" Adj. Length)	1
1101520-NLA	Power Leg Harnesses and Mounting Hardware	1
1104248-NLA	T.A.C. Controller with Hardware	1
1080116-NLA	4-Way Switch	1
1077519	4-Way Switch Mounting Plate with Hardware	1
2001682	Cable Tie (8" Long)	10
1092659-NLA	Controller Bracket with Fastener Strips	1
1104911	Instruction Sheet, Power Articulating Legrest Kit	1

NOTE: A - Power articulating legrest and KITS before 9/15/01 are NLA. See power articulating legrest or KITS dated after 7/26/04. Legrest must be ordered in pairs to match.

B - Kit includes the 9 items listed below the kit part number

Power Articulating Legrest Kits

POWER20 (Before 9/15/01)

NOTE: Power articulating legrest use sector style front rigging hangers and do not come included with kits. See page titled A.S.B.A. Seat Frame and Hardware for hanger assemblies.

NOTE: Torque SP with RII electronics must be upgraded to MKIV A electronics.

NOTE: For 3G bases, a new controller shroud cover may be required. See page titled Controller Shroud Covers.

POWER20 with 4-way Switch and Quad Link Mounting Plate Assembly

Part Number	Description	Quantity
1104252-NLA See Note(s) A, B	Power Articulating Legrest Kit	1
1099706-NLA See Note(s) A	Legrest, Right, Long 20" (15"-20" Adj. Length)	1
1099707-NLA See Note(s) A	Legrest, Left, Long 20" (15"-20" Adj. Length)	1
1101520-NLA	Power Leg Harnesses and Mounting Hardware	1
1104248-NLA	T.A.C. Controller with Hardware	1
1080116-NLA	4-Way Switch	1
1077520-NLA	4-Way Switch Mounting Plate with Hardware	1
2001682	Cable Tie (8" Long)	10
1092659-NLA	Controller Bracket with Fastener Strips	1
1104911	Instruction Sheet, Power Articulating Legrest Kit	1

NOTE: A - Power articulating legrest and KITS before 9/15/01 are NLA. See power articulating legrest or KITS dated after 7/26/04. Legrest must be ordered in pairs to match.

B - Kit includes the 9 items listed below the kit part number

Power NON-Articulating Legrest Kits POWELR18/POWELR20 (9/15/01 thru 4/30/02)

NOTE: Power NON-articulating legrest use sector style front rigging hangers and do not come included with kits. See page titled A.S.B.A. Seat Frame and Hardware for hanger assemblies.

NOTE: Torque SP with RII electronics must be upgraded to MKIV A electronics.

NOTE: For 3G bases, a new controller shroud cover may be required. See page titled Controller Shroud Covers.

POWELR18/ POWELR20 with 4-way Switch and Non Quad Link Mounting Plate Assembly.

Part Number	Description	Quantity
1109317-NLA See Note(s) A, B	Power Non-Articulating Legrest Kit	1
1109313-NLA See Note(s) A	Legrest, Right (13"-20" Adj. Length)	1
1109314-NLA See Note(s) A	Legrest, Left (13"-20" Adj. Length)	1
1101520-NLA	Power Leg Harnesses and Mounting Hardware	1
1104248-NLA	T.A.C. Controller with Hardware	1
1080116-NLA	4-Way Switch	1
1077519	4-Way Switch Mounting Plate with Hardware	1
2001682	Cable Tie (8" Long)	10
1092659-NLA	Controller Bracket with Fastener Strips	1
1104911	Instruction Sheet, Power Articulating Legrest Kit	1
<p>NOTE: A - Power NON-articulating legrest and KITS before 9/15/01 are NLA. See power articulating legrest or KITS dated after 7/26/04. Legrest must be ordered in pairs to match. B - Kit includes the 9 items listed below the kit part number</p>		

Power NON-Articulating Legrest Kits POWELR18/POWELR20 (9/15/01 thru 4/30/02)

NOTE: Power NON-articulating legrest use sector style front rigging hangers and do not come included with kits. See page titled A.S.B.A. Seat Frame and Hardware for hanger assemblies.

NOTE: Torque SP with RII electronics must be upgraded to MKIV A electronics.

NOTE: For 3G bases, a new controller shroud cover may be required. See page titled Controller Shroud Covers.

POWELR18/ POWELR20 with 4-way Switch and Quad Link Mounting Plate Assembly

Part Number	Description	Quantity
1109318-NLA See Note(s) A, B	Power Non-Articulating Legrest Kit	1
1109313-NLA See Note(s) A	Legrest, Right (13"-20" Adj. Length)	1
1109314-NLA See Note(s) A	Legrest, Left (13"-20" Adj. Length)	1
1101520-NLA	Power Leg Harnesses and Mounting Hardware	1
1104248-NLA	T.A.C. Controller with Hardware	1
1080116-NLA	4-Way Switch	1
1077520	4-Way Switch Mounting Plate with Hardware	1
2001682	Cable Tie (8" Long)	10
1092659-NLA	Controller Bracket with Fastener Strips	1
1104911	Instruction Sheet, Power Articulating Legrest Kit	1

NOTE: A - Power NON-articulating legrest and KITS before 9/15/01 are NLA. See power articulating legrest or KITS dated after 7/26/04. Legrest must be ordered in pairs to match.
B - Kit includes the 9 items listed below the kit part number

Power Articulating Legrest Kits ELRPW (5/1/02-7/26/04)

NOTE: Power articulating legrest use sector style front rigging hangers and do not come included with kits. See page titled A.S.B.A. Seat Frame and Hardware for hanger assemblies.

NOTE: Torque SP with RII electronics must be upgraded to MKIV A electronics.

NOTE: For 3G bases, a new controller shroud cover may be required. See page titled Controller Shroud Covers.

ELRPW with 4-Way Switch and Non-Quad Link Mounting Plate Assembly

Part Number	Description	Quantity
1111906-NLA See Note(s) A, B1, B	Kit, ELRPW Power Articulating Legrest Kit	1
1110743-NLA See Note(s) B1, B	Legrest, Right (13"-20" Adj. Length)	1
1110744-NLA See Note(s) B1, B	Legrest, Left (13"-20" Adj. Length)	1
1101520-NLA	Power Leg Harnesses and Mounting Hardware	1
1104248-NLA	T.A.C. Controller with Hardware	1
1080116-NLA	4-Way Switch	1
1077519	4-Way Switch Mounting Plate with Hardware	1
2001682	Cable Tie (8" Long)	10
1092659-NLA	Controller Bracket with Fastener Strips	1
1104911	Instruction Sheet, Power Articulating Legrest Kit	1
<p>NOTE: A - Kit includes the 9 items listed below the kit part number B - Due to a product enhancement that provides a higher pivot point at the knee, a customer must order a complete right and left side legrest assembly. A kit is required when ordering Power Articulating Legrest for the first time. B1 - See page titled "Power Articulating Legrest Kits After 7/26/04".</p>		

Power Articulating Legrest Kits ELRPW (5/1/02-7/26/04)

NOTE: Power articulating legrest use sector style front rigging hangers and do not come included with kits. See page titled A.S.B.A. Seat Frame and Hardware for hanger assemblies.

NOTE: Torque SP with RII electronics must be upgraded to MKIV A electronics.

NOTE: For 3G bases, a new controller shroud cover may be required. See page titled Controller Shroud Covers.

ELRPW with 4-Switch and Quad Link Mounting Plate Assembly

Part Number	Description	Quantity
1111724-NLA See Note(s) B1, B	Kit, ELRPW Power Articulating Legrest Kit	1
1110743-NLA See Note(s) B1, B	Legrest, Right (13"-20" Adj. Length)	1
1110744-NLA See Note(s) B, B1	Legrest, Left (13"-20" Adj. Length)	1
1101520-NLA	Power Leg Harnesses and Mounting Hardware	1
1104248-NLA	T.A.C. Controller with Hardware	1
1080116-NLA	4-Way Switch	1
1077520	4-Way Switch Mounting Plate with Hardware	1
2001682	Cable Tie (8" Long)	10
1092659-NLA	Controller Bracket with Fastener Strips	1
1104911	Instruction Sheet, Power Articulating Legrest Kit	1
<p>NOTE: B - Due to a product enhancement that provides a higher pivot point at the knee, a customer must order a complete right and left side legrest assembly. A kit is required when ordering Power Articulating Legrest for the first time. B1 - See page titled "Power Articulating Legrest Kits After 7/26/04".</p>		

Power Articulating Legrest Kits ELRPW (After 7/26/04)

NOTE: Power articulating legrest use sector style front rigging hangers and do not come included with kits. See page titled A.S.B.A. Seat Frame and Hardware for hanger assemblies.

NOTE: Torque SP with RII electronics must be upgraded to MKIV A electronics.

NOTE: For 3G bases, a new controller shroud cover may be required. See page titled Controller Shroud Covers.

ELRPW with 4-Way Switch and Non-Quad Link Mounting Plate Assembly

Part Number	Description	Quantity
1126098-NLA See Note(s) A	Power Articulating Legrest Kit	1
1126091	Legrest, Right (13"-20" Adj. Length)	1
1126092	Legrest, Left (13"-20" Adj. Length)	1
1101520-NLA	Power Leg Harnesses and Mounting Hardware	1
1104248-NLA	T.A.C. Controller with Hardware	1
1080116-NLA	4-Way Switch	1
1077519	4-Way Switch Mounting Plate with Hardware	1
2001682	Cable Tie (8" Long)	10
1092659-NLA	Controller Bracket with Fastener Strips	1
1104911	Instruction Sheet, Power Articulating Legrest Kit	1

NOTE: A - Kit includes the 9 items listed below the kit part number

Power Articulating Legrest Kits ELRPW (After 7/26/04)

NOTE: Power articulating legrest use sector style front rigging hangers and do not come included with kits. See page titled A.S.B.A. Seat Frame and Hardware for hanger assemblies.

NOTE: Torque SP with RII electronics must be upgraded to MKIV A electronics.

NOTE: For 3G bases, a new controller shroud cover may be required. See page titled Controller Shroud Covers.

ELRPW with 4-Switch and Quad Link Mounting Plate Assembly

Part Number	Description	Quantity
1126097-NLA	Power Articulating Legrest Kit	1
1126091	Legrest, Right (13"-20" Adj. Length)	1
1126092	Legrest, Left (13"-20" Adj. Length)	1
1101520-NLA	Power Leg Harnesses and Mounting Hardware	1
1104248-NLA	T.A.C. Controller with Hardware	1
1080116-NLA	4-Way Switch	1
1077520	4-Way Switch Mounting Plate with Hardware	1
2001682	Cable Tie (8" Long)	10
1092659-NLA	Controller Bracket with Fastener Strips	1
1104911	Instruction Sheet, Power Articulating Legrest Kit	1

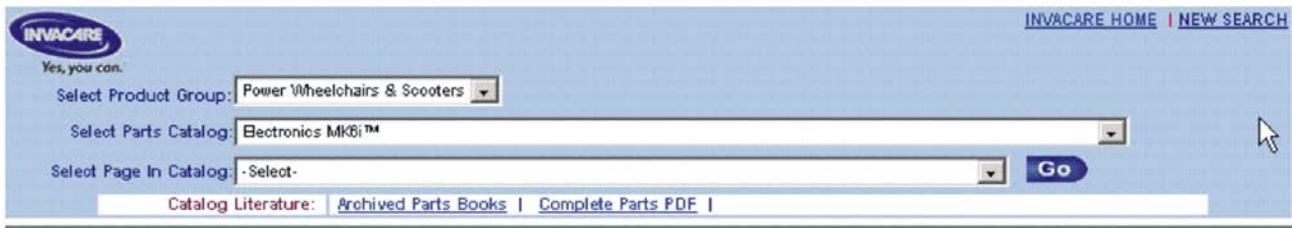
MK6i Electronics

If you are looking for **MK6i™ Electronics** introduced to the Storm Series® Arrow®, Ranger X™ and Torque™ SP/SE 3rd Generation on or about 10/9/06

The parts catalog information is now divided into two separate catalogs.

Web Page

The MK6i™ Electronics information can be found on the Invacare web page by selecting “Electronics MK6i™” in the “Select Parts Catalog” drop down menu.

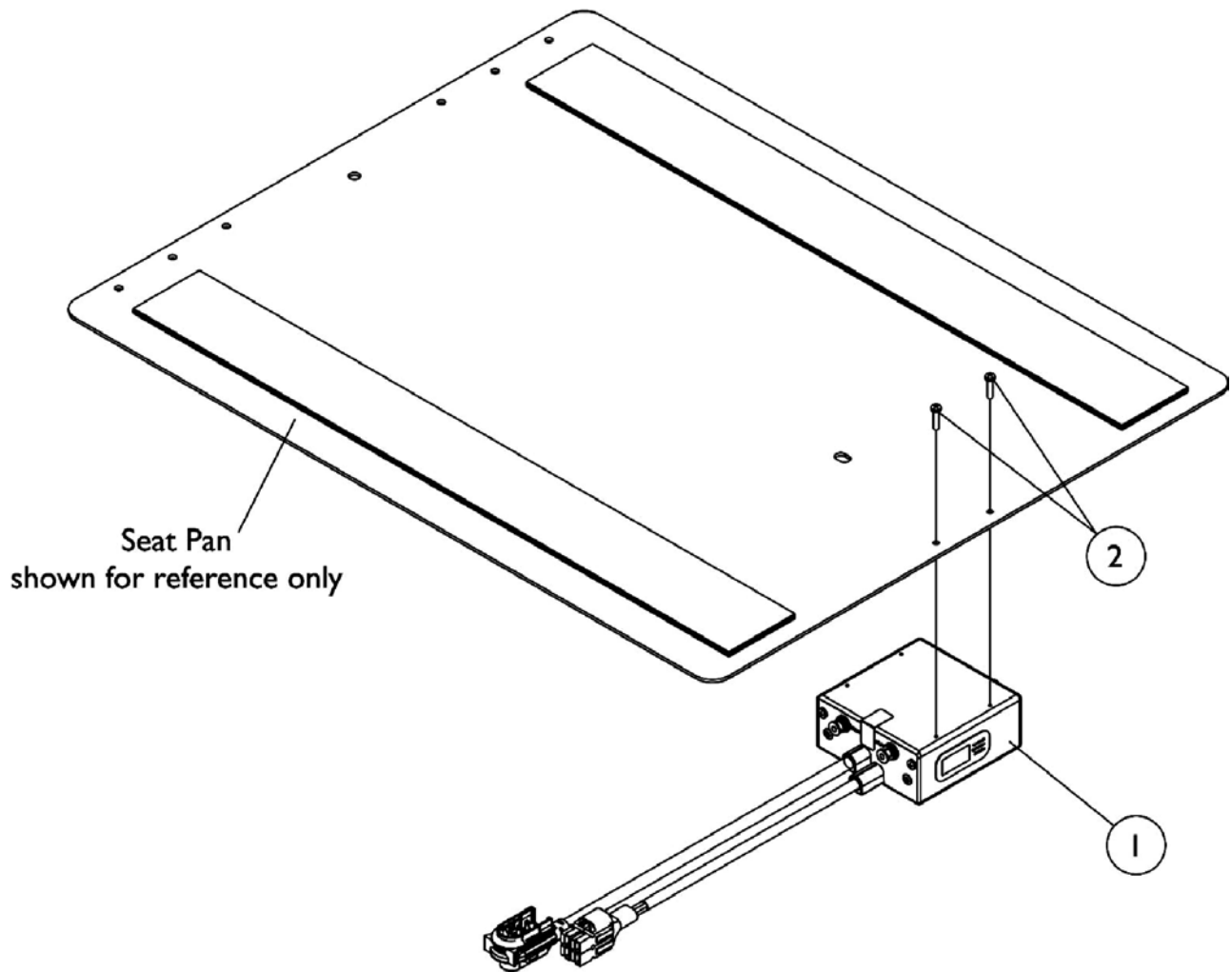


The screenshot shows the Invacare website's product selection interface. At the top left is the Invacare logo with the tagline "Yes, you can." and the text "INVACARE HOME | NEW SEARCH" at the top right. Below the logo, there are three dropdown menus: "Select Product Group:" with "Power Wheelchairs & Scooters" selected, "Select Parts Catalog:" with "Electronics MK6i™" selected, and "Select Page In Catalog:" with "- Select -" selected. A blue "Go" button is to the right of the third dropdown. Below the dropdowns is a "Catalog Literature:" section with links for "Archived Parts Books" and "Complete Parts PDF".

Printed Catalog

The MK6i™ Electronics information can be found in printed copy at our Literature Fulfillment Center listed under form # 06-110 and titled “MK6i™ Electronics”.

Dual Legs Integrated Actuator Module (DLIAM) MK6i For ELRPW Front Riggings

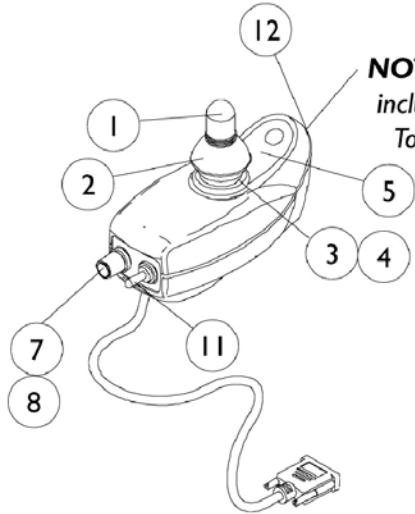


Dual Legs Integrated Actuator Module (DLIAM) MK6i For ELRPW Front Riggings

Item Number	Note	Part Number	Description	Quantity Per	
				Package	Assembly
1	A,B	1140032	Module, Dual Legs Integrated Actuator (DLIAM) - MK6i (54" L)	1	1
2		1021742	Screw, Phillips Pan Head (#4-40 x 1/2")	1	2
NOTE: A - The Dual Legs Integrated Actuator Module is attached to a 12"-16" wide seat pan in the same way when ELRPW Front Riggings are ordered with MK6i electronics B - On 2/28/07 the Dual Leg Actuator Module (DLIAM) harness cable lengthened from approximately 3" to 20" long to eliminate the need for the ELRPW Power Legrest Harness Assembly part numbers 1125656 RT and 1125657 LT					

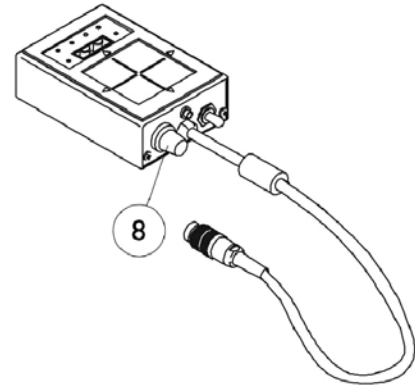
MKIV Joysticks

RII, TCHJOY, A, A+

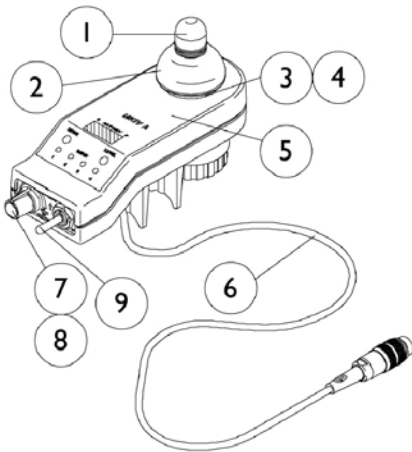


NOTE: RII 80 AMP. decal is not included with joystick. Used on Torque SP's after 10/31/01

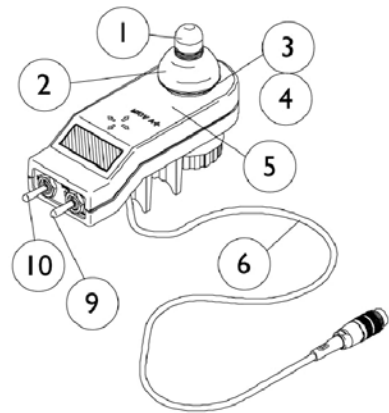
1092610
RII Joystick



1095289
TCHJOY
Touchpad "A"
Joystick



1065944
A Joystick



1038608
A+ Joystick

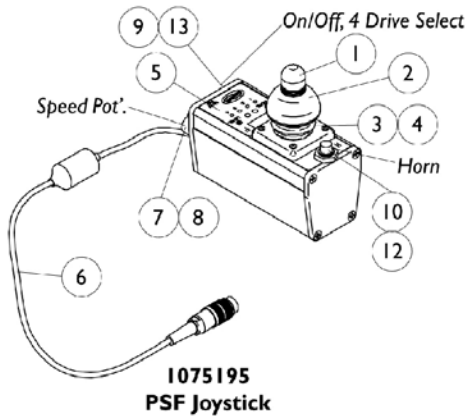
MKIV Joysticks RII, TCHJOY, A, A+

Item Number	Description	RII	TCHJOY	A	A+
See Pictorial	Joystick Assembly	1092610-NLA See Note(s) D	1095289-NLA	1065944-NLA	1038608-NLA
1	Knob, Joystick	1040217	N/A	1040217	1040217
2	Skirt, Joystick	1040218	N/A	1040218	1040218
3	Inductive, Joystick	1036764-NLA See Note(s) A	N/A	1036764-NLA See Note(s) B	1036764-NLA See Note(s) A
3	Inductive, Joystick	N/A	N/A	1104397-NLA See Note(s) C	N/A
4	Boot, Joystick	50000X364-NLA	N/A	50000X364-NLA	50000X364-NLA
5	Overlay, Joystick Decal	N/A	N/A	1040190-NLA	1036776-NLA
6	Cable Assembly	N/A	N/A	1036750-NLA See Note(s) B	1036750-NLA See Note(s) A
6	Cable Assembly	N/A	N/A	1104205-NLA See Note(s) C	N/A
7	Potentiometer, Speed	1040225-NLA See Note(s) A	N/A	1040225-NLA See Note(s) B	N/A
7	Potentiometer, Speed	N/A	N/A	1115518-NLA See Note(s) C	N/A
8	Knob, Potentiometer	1025516-NLA	1025516-NLA	1025516-NLA	N/A
9	Switch, On/Off Momentary	N/A	N/A	1040185-NLA See Note(s) B	1040185-NLA See Note(s) A
9	Switch, On/Off Momentary	N/A	N/A	1115523-NLA See Note(s) C	N/A
10	Switch, Program	N/A	N/A	N/A	1040186-NLA See Note(s) A
11	Switch, Toggle SPDT	1010042-NLA See Note(s) A	N/A	N/A	N/A
12	Decal, RII 80 AMP	1108692-NLA	N/A	N/A	N/A

NOTE: A - Item requires soldering
 B - Before 10/01/02 item requires soldering
 C - After 9/30/02 item has a non-soldering connector
 D - RII 80 amp. decal is not included with joystick. Used on Torque SP's after 10/31/01.

MKIV Joysticks - PSF and PSR

NOTE: PSR STANDARD joystick configuration below show the on/off switch on the left side for part # 1075196. When the on/off switch is required on the right side, refer to part number 8881075196 and order as a configured part.



STANDARD: This PSR joystick includes a toggle on/off combined with a drive select and a push button horn. No speed selector.

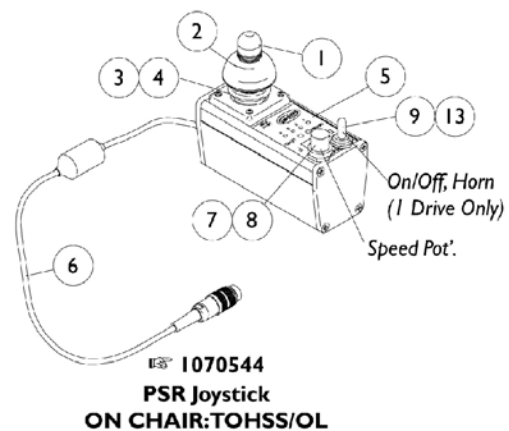
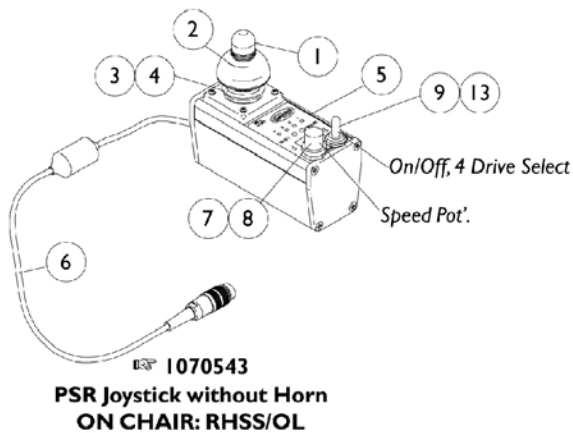
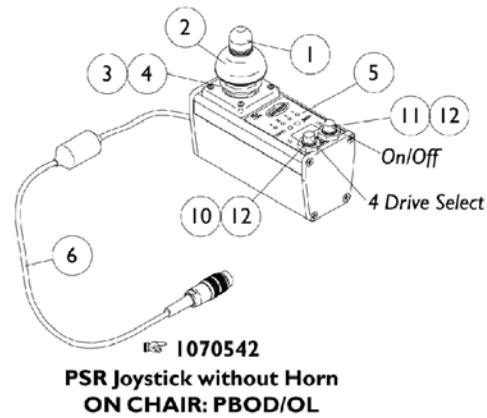
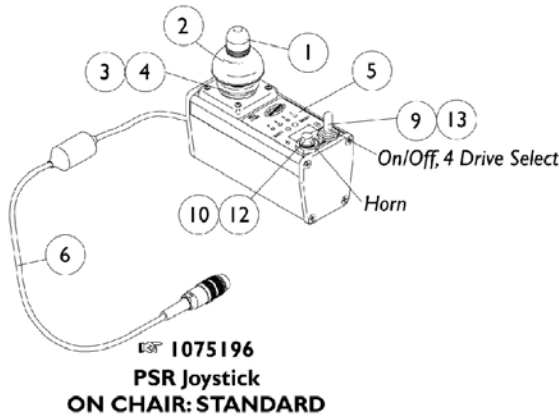
PBOD: This PSR joystick includes push button on/off with a push button drive select. This gives you access to the four drives, but no horn and no speed select.

RHSS: This PSR joystick replaces the horn with a speed selector. This allows you to deviate from having a horn to having a speed select dial, plus the drive selector to the four drives.

TOHSS: This PSR joystick includes a toggle on/off with horn and a speed select dial. You have access to only one drive.

OL: On/Off positioned on left side of the PSR joystick.

OR: On/Off positioned on right side of the PSR joystick.



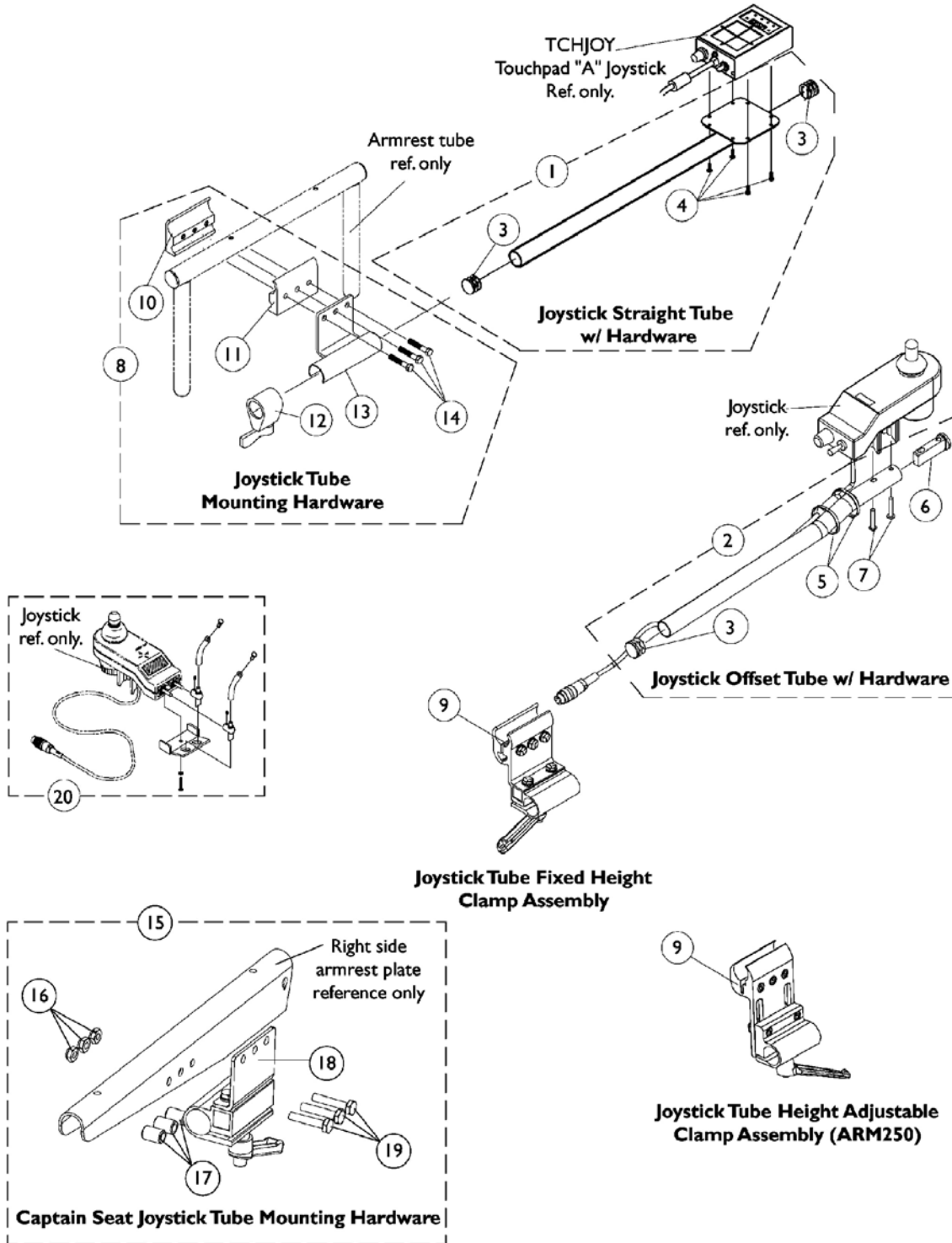
MKIV Joysticks - PSF and PSR

NOTE: PSR STANDARD joystick configuration below show the on/off switch on the left side for part # 1075196. When the on/off switch is required on the right side, refer to part number 8881075196 and order as a configured part.

Item Number	Description	PSF	PSR
See Pictorial	Joystick Assembly	N/A	1075196-NLA
See Pictorial	Joystick Assembly	1075195-NLA	8881075196
See Pictorial	Joystick Assembly	N/A	1070542-NLA
See Pictorial	Joystick Assembly	N/A	1070543-NLA
See Pictorial	Joystick Assembly	N/A	1070544-NLA
1	Knob, Joystick	1040217	1040217
2	Skirt, Joystick	1040218	1040218
3	Inductive, Joystick	1036764-NLA	1036764-NLA
4	Boot, Joystick	50000X364-NLA	50000X364-NLA
5	Overlay, Joystick Decal	1075034-NLA	1079925-NLA
6	Cable Assembly	1036750-NLA	1036750-NLA
7	Potentiometer, Speed	1040225-NLA	1040225-NLA
8	Knob, Potentiometer	1025516-NLA	1025516-NLA
9	Switch, On/Off Momentary	1040185-NLA	1040185-NLA
10	Switch, Push Button SPST Momentary	1010047-NLA	1010047-NLA
11	Switch, Push Button SPST	N/A	1010048-NLA
12	Boot, Switch	1010049-NLA	1010049-NLA
13	Boot, Switch	1058464-NLA	1058464-NLA

MKIV Joystick Mounting Hardware and Joystick Accessories

NOTE: Captain Seat joystick tube mounting hardware adapts to the offset joystick tube and comes standard on-chair.



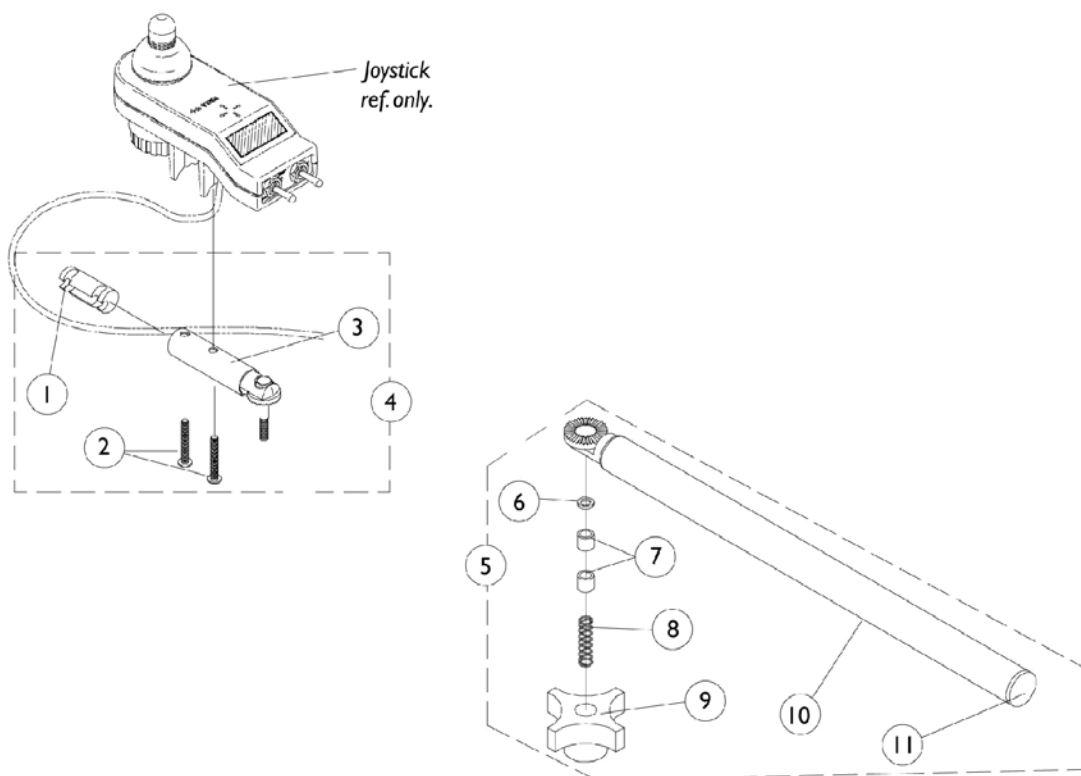
MKIV Joystick Mounting Hardware and Joystick Accessories

NOTE: Captain Seat joystick tube mounting hardware adapts to the offset joystick tube and comes standard on-chair.

Item Number	Note	Part Number	Description	Quantity Per	
				Package	Assembly
1	A	1092604-NLA	NLA - Kit, Straight Joystick Tube with Hardware	1	1
2	B	1093069	Kit, 1/2" Offset Joystick Tube with Hardware	1	1
3		1027095	Plug Button, Black (7/8")	1	1
4		1052041	Screw, Phillips Pan Head (#4-40 x 3/8")	1	4
5		1095502-NLA	NLA - Package, Tie Wrap (11-1/2" L)	10	1
6		1093063	Spacer, Joystick Tube, Black	1	1
7		1025714	Screw, Phillips Pan Head (#10-32 x 1-1/8")	1	2
8	C	1049591-NLA	NLA - Hardware, Joystick Tube Mounting	1	1
9	D	1093071	Clamp, Fixed Height Joystick Tube	1	1
9	F	1139422	Clamp, Height Adjustable Joystick Tube (ARM250)	1	1
10		1027267-NLA	NLA - Half Clamp, Threaded Holes	1	1
11		1027266	Half Clamp, Non-Threaded Holes	1	1
12		1027274	Adjustment Lock Assembly, Black	1	1
13		1049582-NLA	NLA - Bracket, Joystick Mounting, Black	1	1
14		16690X004-NLA	NLA - Screw, Hex Head (1/4-20 x 1-1/8")	1	3
15	E	1105050-NLA	NLA - Kit, Joystick Tube Mounting Hardware - Captain/ Van Seat	1	1
16		1025195	NLA - Locknut (1/4-20)	1	3
17		1101524-NLA	NLA - Spacer (1/4 x 7/16 x 5/8")	1	3
18		1105049	Clamp Assembly, Fixed Height, Captain/ Van Seat	1	1
19		1057955	Screw, Hex Head (1/4-20 x 1-1/4")	1	3
20		1055736-NLA	NLA - Kit, Toggle Switch Extension	1	1
21		1016401-NLA	NLA - Screw, Phillips Round Head (#10-32 x 3/8")	1	3
	G	1006270	Extension, Joystick, "T" Style (1560) (4" W x 5-1/2" L)	1	1
	G	1006271	Extension, Joystick, Straight Style (1561) (1/2" W x 5" L)	1	1

NOTE: A - Includes items 3 and 4
 B - Includes items 3, 5, 6 and 7. Used for MKIV RII. A, A+, PSF/PSR joysticks (Captain Seats also)
 C - Includes items 10-14. Used for TCHJOY Touchpad "A" Joystick before 10/4/00
 D - For MKIV RII. A, A+, PSF/PSR joystick and (TCHJOY Touchpad "A" Joystick after 10/3/00). Joystick Tube Clamp can be used as a direct replacement for item 8 part # 1049591 in the field. Individual components are non-saleable.
 E - Includes items 16-19. Due to product improvement, the joystick mounting bracket with a separate adjustment lock were replaced with the clamp assembly shown as of 2/20/03 and is backward compatible.
 F - Introduced 10/31/05 as option (ARM250) and can be used to replace a Fixed Height Joystick Tube Clamp in the field. Individual components are non-saleable.
 G - Not Shown

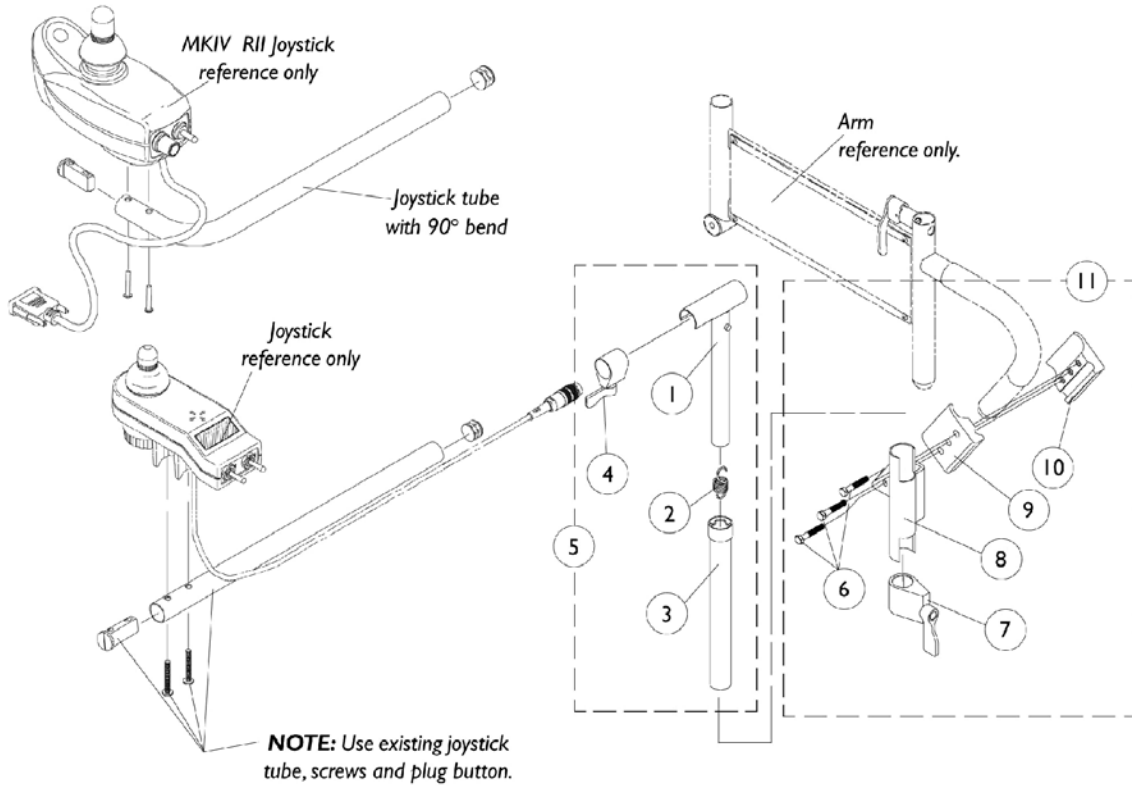
MKIV Swivel Joystick Hardware



Item Number	Note	Part Number	Description	Quantity Per	
				Package	Assembly
1		1093063	Spacer, Joystick Tube, Black	1	1
2		7930327-NLA	NLA - Package, Screw, Phillips Pan Head (#10-32 x 1-1/8")	25	3
3		1049962-NLA	NLA - Bracket, Swivel Joystick, MKIV	1	1
4		1049963-NLA	NLA - Bracket, Swivel Joystick with Hardware	1	1
5		1035986-NLA	NLA - Joystick Swivel Tube with Hardware, Black	1	1
6		1020551-NLA	NLA - Washer, Flat (1/4 x 3/8 x 1/16")	1	1
7		1005844-NLA	NLA - Bushing	1	2
8		1002511-NLA	NLA - Spring, Hitch Bracket	1	1
9		1023670-NLA	NLA - Knob, Clamping, Grey	1	1
10		1035990-NLA	NLA - Tube, Swivel Joystick, Black	1	1
11		1027095	Plug Button, Black (7/8")	1	1

MKIV Mid-Line Swing Bracket Assembly

NOTE: Joystick with 90 degree bend replaces the standard tube when joysticks PSF, PSR and (RII part number 1092610) are used. Joystick tube with 90 degree bend must be ordered as a special when a replacement is needed.

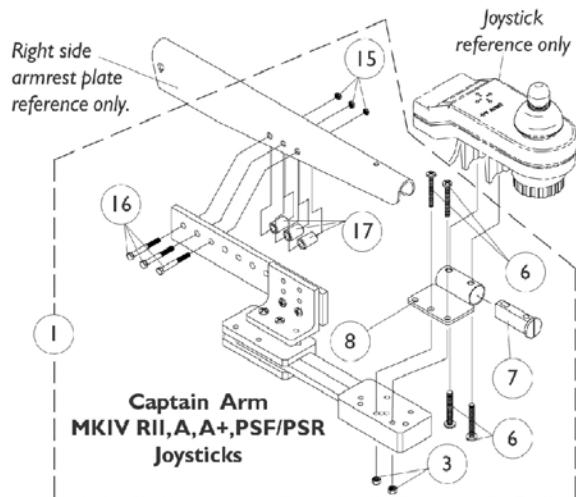
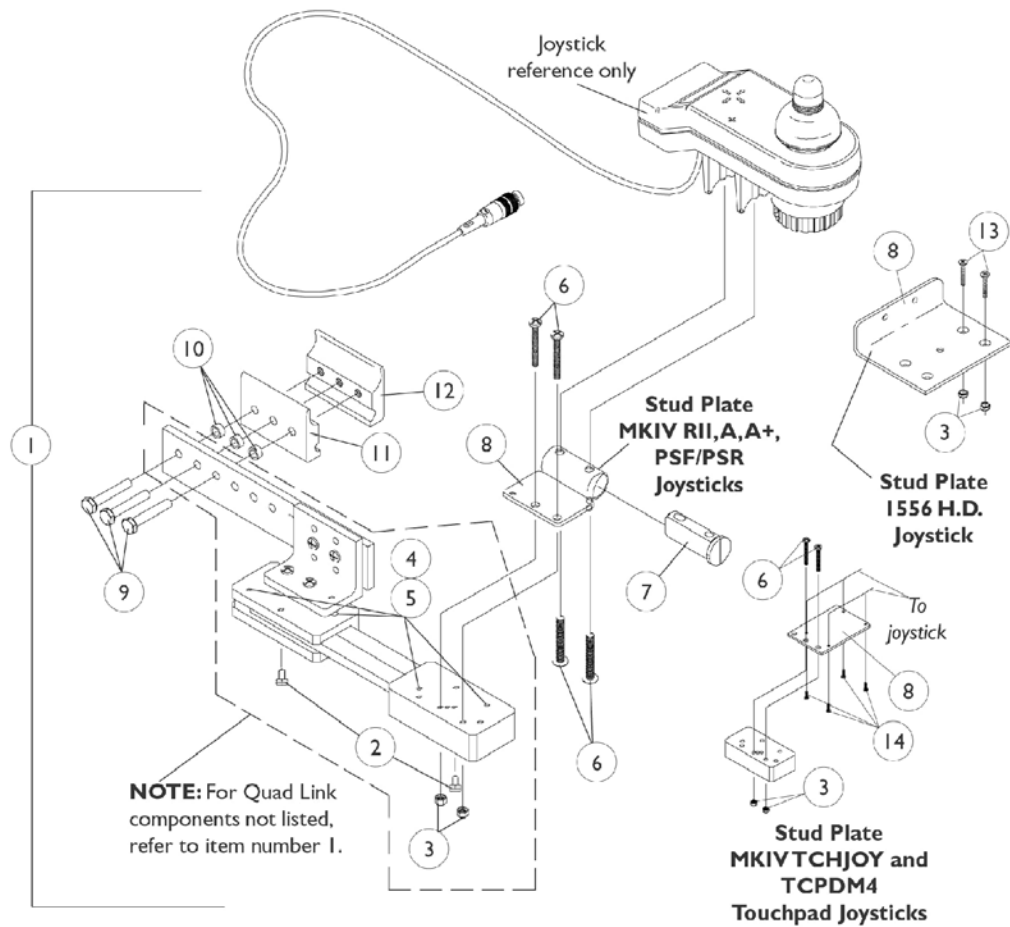


Item Number	Note	Part Number	Description	Quantity Per	
				Package	Assembly
1		1035528-NLA	NLA - Tube, Adjustment, Inside, Mid-Line, Black	1	1
2		1016778-NLA	NLA - Spring, Extension (9/16 x 1-3/8" L)	1	1
3		1035860-NLA	NLA - Tube, Adjustment, Outside, Mid-Line, Black	1	1
4		1027274	Adjustment Lock Assemnbly, Black	1	1
5	B	1035852-NLA	NLA - Swing Bracket Assembly, Mid-Line, Black	1	1
6		7930349-NLA	NLA - Screw, Hex Head (1/4-20 x 1-1/8")	25	3
7		1027274	Adjustment Lock Assemnbly, Black	1	1
8	A	1071879-NLA	NLA - Bracket, Joystick Mounting, Black	1	1
9		1027266	Half Clamp, Non-Threaded Holes	1	1
10		1027267-NLA	NLA - Half Clamp, Threaded Holes	1	1
11	A,C	1071880-NLA	NLA - Hardware, Attaching - Mid-Line	1	1

NOTE: A - Left side joystick mounting bracket or hardware must be ordered as a special.
 B - Includes items 1-4
 C - Includes items 6-10

Quad Link Assembly

(Before 10/31/05 - ASBA) (Before 4/07/06 - Captain Seat)



Quad Link Assembly

(Before 10/31/05 - ASBA) (Before 4/07/06 - Captain Seat)

Item Number	Note	Part Number	Description	Quantity Per	
				Package	Assembly
1	A	1052402-NLA	NLA - Kit, Quad Link Assembly - Right	1	1
2			NLA - Ball Plunger Assembly with Lock Washer	2	1
3			Locknut (#10-32)	1	2
4			NLA - Screw, Cap, Socket Head (#10-32 x 1/2")	1	4
5			NLA - Bushing, Bronze (3/16 x 1/4 x 1/4")	1	4
6			Screw, Phillips Pan Head (#10-32 x 1-1/8")	1	4
7			Spacer, Joystick Tube, Black	1	1
8			NLA - Stud Plate, Quad Link	1	1
9			Screw, Hex Head (1/4-20 x 1-1/2")	1	3
10			NLA - Spacer (1/4 x 3/8 x 3/16")	1	3
11			Half Clamp, Non-Threaded Holes	1	1
12			NLA - Half Clamp, Threaded Holes	1	1
1	A	1115372-NLA	NLA - Kit, Quad Link Assembly - Left	1	1
2			NLA - Ball Plunger Assembly with Lock Washer	2	1
3			Locknut (#10-32)	1	2
4			NLA - Screw, Cap, Socket Head (#10-32 x 1/2")	1	4
5			NLA - Bushing, Bronze (3/16 x 1/4 x 1/4")	1	4
6			Screw, Phillips Pan Head (#10-32 x 1-1/8")	1	4
7			Spacer, Joystick Tube, Black	1	1
8			NLA - Stud Plate, Quad Link	1	1
9			Screw, Hex Head (1/4-20 x 1-1/2")	1	3
10			NLA - Spacer (1/4 x 3/8 x 3/16")	1	3
11			Half Clamp, Non-Threaded Holes	1	1
12			NLA - Half Clamp, Threaded Holes	1	1
1	B,E	1034703-NLA	NLA - Kit, Quad Link Assembly - Right	1	1
2			NLA - Ball Plunger Assembly with Lock Washer	2	1
3			Locknut (#10-32)	1	2
4			NLA - Screw, Cap, Socket Head (#10-32 x 1/2")	1	4
5			NLA - Bushing, Bronze (3/16 x 1/4 x 1/4")	1	4
8			Plate, Stud, Quad Link For 1556 Heavy Duty Joystick	1	1
9			Screw, Hex Head (1/4-20 x 1-1/2")	1	3
10			NLA - Spacer (1/4 x 3/8 x 3/16")	1	3
11			Half Clamp, Non-Threaded Holes	1	1
12			NLA - Half Clamp, Threaded Holes	1	1
13			Screw, Phillips Flat Head (#10-32 x 1-1/8")	1	2
1	B		1114866-NLA	NLA - Kit, Quad Link Assembly - Left	1
2		NLA - Ball Plunger Assembly with Lock Washer		2	1
3		Locknut (#10-32)		1	2
4		NLA - Screw, Cap, Socket Head (#10-32 x 1/2")		1	4
5		NLA - Bushing, Bronze (3/16 x 1/4 x 1/4")		1	4

Quad Link Assembly

(Before 10/31/05 - ASBA) (Before 4/07/06 - Captain Seat)

Item Number	Note	Part Number	Description	Quantity Per	
				Package	Assembly
8			Plate, Stud, Quad Link For 1556 Heavy Duty Joystick	1	1
9			Screw, Hex Head (1/4-20 x 1-1/2")	1	3
10			NLA - Spacer (1/4 x 3/8 x 3/16")	1	3
11			Half Clamp, Non-Threaded Holes	1	1
12			NLA - Half Clamp, Threaded Holes	1	1
13			Screw, Phillips Flat Head (#10-32 x 1-1/8")	1	2
1	C	1102027-NLA	NLA - Kit, Quad Link Assembly - Right For TCHJOY/TCPDM4 Touchpad	1	1
2			NLA - Ball Plunger Assembly with Lock Washer	2	1
3			Locknut (#10-32)	1	2
4			NLA - Screw, Cap, Socket Head (#10-32 x 1/2")	1	4
5			NLA - Bushing, Bronze (3/16 x 1/4 x 1/4")	1	4
6			Screw, Phillips Pan Head (#10-32 x 1-1/8")	1	2
8			NLA - Plate, Stud, Quad Link MKIV TCHJOY/TCPDM4	1	1
9			Screw, Hex Head (1/4-20 x 1-1/2")	1	3
10			NLA - Spacer (1/4 x 3/8 x 3/16")	1	3
11			Half Clamp, Non-Threaded Holes	1	1
12			NLA - Half Clamp, Threaded Holes	1	1
14			NLA - Screw, Phillips Flat Head Countersunk (#4-40 x 3/8")	1	4
1	D	1074153-NLA	NLA - Kit, Quad Link Assembly - Right For Van Seats	1	1
2			NLA - Ball Plunger Assembly with Lock Washer	2	1
3			Locknut (#10-32)	1	2
4			NLA - Screw, Cap, Socket Head (#10-32 x 1/2")	1	4
5			NLA - Bushing, Bronze (3/16 x 1/4 x 1/4")	1	4
6			Screw, Phillips Pan Head (#10-32 x 1-1/8")	1	4
7			Spacer, Joystick Tube, Black	1	1
8			NLA - Stud Plate, Quad Link	1	1
15			Locknut (1/4-20)	1	3
16			Screw, Hex Head (1/4-20 x 1-1/2")	1	3
17			NLA - Spacer (1/4 x 7/16 x 5/8")	1	3
2		1114863-NLA	NLA - Ball Plunger Assembly with Lock Washer	2	1
<p>NOTE: A - Includes the Quad Link, items 2-12 and used with MKIV RII, A, A+,PSF/PSR joysticks B - Includes the Quad Link, items 2-5 and 8-13 and used with a 1556 Heavy Duty joystick C - Includes the Quad Link, items 2-6, 8-12, 14 and used with TCHJOY/TCPDM4 joysticks. For left side mounted Quad Link, order as a special D - Includes the Quad Link, items 2-8, 15-17 and used with MKIV RII, A, A+,PSF/PSR joysticks. For left side mounted Quad Link, order as a special E - Quad Link Assembly is no longer available. Please see Quad Link Assembly (After 10/30/05 & 4/06/06) category and use new Quad Link design as a replacement.</p>					

Quad Link Assembly (QLA) & (QL)

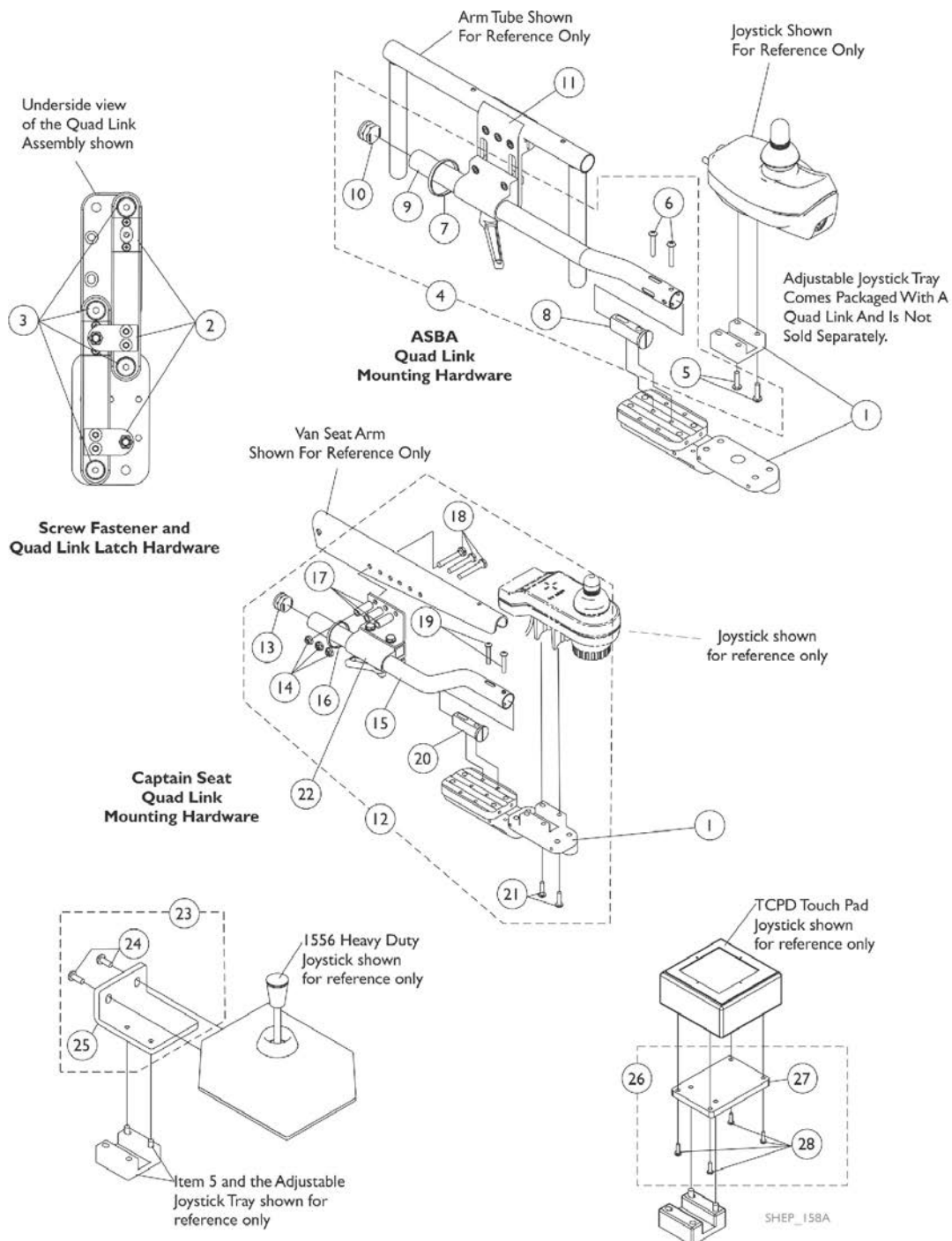
QLA (After 10/30/05 - ASBA), QL (After 4/06/06 - Captain Seat)

When converting an old style Quad Link that attaches to a mounting plate or (a Flex or Touch Pad Joystick Tube) is currently on the chair then order the following for:

a) ASBA Seat; Quad Link Mtg. Hdw. (item 4), Quad Link (item 1) & Ht. Adj. Joystick Tube Clamp (item 11)

b) Van Seat; Quad Link Mtg. Hdw. (item 12), Quad Link (item 1) & Joystick Tube Clamp (item 22)

NOTE: Substitute (item 4 & 12) with 2 ea. of the PPH Screws (item 5) when an offset joystick tube is currently on the chair. Additional Joystick Mtg. Hdw. must be ordered when a 1556 Heavy Duty or TCPD Touch Pad is used.



Quad Link Assembly (QLA) & (QL)

QLA (After 10/30/05 - ASBA), QL (After 4/06/06 - Captain Seat)

When converting an old style Quad Link that attaches to a mounting plate or (a Flex or Touch Pad Joystick Tube) is currently on the chair then order the following for:

- a) ASBA Seat; Quad Link Mtg. Hdw. (item 4), Quad Link (item 1) & Ht. Adj. Joystick Tube Clamp (item 11)
 b) Van Seat; Quad Link Mtg. Hdw. (item 12), Quad Link (item 1) & Joystick Tube Clamp (item 22)

NOTE: Substitute (item 4 & 12) with 2 ea. of the PPH Screws (item 5) when an offset joystick tube is currently on the chair. Additional Joystick Mtg. Hdw. must be ordered when a 1556 Heavy Duty or TCPD Touch Pad is used.

Item Number	Note	Part Number	Description	Quantity Per	
				Package	Assembly
1		1140896	Quad Link w/ Adjustable Joystick Tray (QLA) and Instruction Sheet - Right	1	1
1		1140897	Quad Link w/ Adjustable Joystick Tray (QLA) and Instruction Sheet - Left	1	1
1	I	1140898	Quad Link (QL) with Instruction Sheet - Right	1	1
1	I	1140899	Quad Link (QL) with Instruction Sheet - Left	1	1
2	A	1140425	Kit, Quad Link Latch Hardware	1	1
3	B	1140424-NLA	NLA - Kit, Quad Link Screw Fastener Hardware	1	1
4	C,C1	1139416	Kit, ASBA/ADJASBA Quad Link Mounting Hardware	1	1
5			Screw, Phillips Pan Head w/ Patch (#10-32 x 3/4")	1	2
6			Screw, Phillips Pan Head (#10-32 x 1-1/8")	1	2
7			Tie Wrap (11-1/2" L)	1	1
8			Spacer, Joystick Tube, Black	1	1
9			Tube, Joystick Offset (1/2")	1	1
10			Plug Button, Black (7/8")	1	1
5		1105414	Screw, Phillips Pan Head w/ Patch (#10-32 x 3/4")	1	2
11	J	1139422	Clamp, Height Adjustable Joystick Tube (ARM250)	1	1
12	C1,G,H,H1	1143041-NLA	NLA - Kit, Quad Link Mounting Hardware - Van Seat	1	1
13			Plug Button, Black (7/8")	1	1
14			NLA - Locknut (1/4-20)	1	3
15			Tube, Joystick Offset (2")	1	1
16			Tie Wrap (11-1/2" L)	1	1
17			NLA - Spacer (1/4 x 7/16 x 5/8")	1	3
18			Screw, Hex Head (1/4-20 x 1-1/4")	1	3
19			Screw, Phillips Pan Head (#10-32 x 1-1/8")	1	2
20			Spacer, Joystick Tube, Black	1	1
21			Screw, Phillips Pan Head w/ Patch (#10-32 x 3/4")	1	2
22		1139681	Clamp Assembly, Fixed Height, Captain/ Van Seat	1	1
23	D	1139925-NLA	NLA - Kit, 1556 Heavy Duty Joystick To Quad Link Mounting Hardware	1	1
24			Screw, Phillips Pan Head (#10-32 x 1/2")	1	2
25			NLA - Plate, 1556 HD Joystick Quad Link	1	1
26	E	1139683-NLA	NLA - Kit, TCPD Touch Pad To Quad Link Mounting Hardware	1	1
27			Plate, TCPD Touch Pad Quad Link	1	1
28			Screw, Phillips Pan Head (#4-40 x 3/8")	1	4
	F	1134844	Instruction Sheet, Quad Link	1	1

Quad Link Assembly (QLA) & (QL)

QLA (After 10/30/05 - ASBA), QL (After 4/06/06 - Captain Seat)

When converting an old style Quad Link that attaches to a mounting plate or (a Flex or Touch Pad Joystick Tube) is currently on the chair then order the following for:

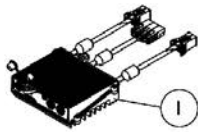
- a) ASBA Seat; Quad Link Mtg. Hdwr. (item 4), Quad Link (item 1) & Ht. Adj. Joystick Tube Clamp (item 11)
- b) Van Seat; Quad Link Mtg. Hdwr. (item 12), Quad Link (item 1) & Joystick Tube Clamp (item 22)

NOTE: Substitute (item 4 & 12) with 2 ea. of the PPH Screws (item 5) when an offset joystick tube is currently on the chair. Additional Joystick Mtg. Hdwr. must be ordered when a 1556 Heavy Duty or TCPD Touch Pad is used.

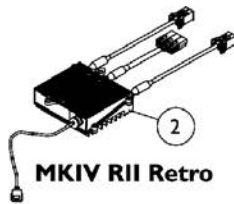
NOTE: A - Latch Kit includes 4 ea. Button Head Cap Screws (10-32 x 3/8"), 2 ea. Latch Spring Assembly, 4 ea. Phillips Flat C'Sunk Head Screws, 2 ea. Spring Catch Plates, 2 ea. Socket Head Set Screws (10-32 x 3/8")
B - Screw Fastener Kit includes 4 ea. Socket Head Shoulder Screws (3/8 x 3/8"), 2 ea. Socket Head Cap Screws (1/4-20 x 3/8"), 2 ea. Socket Head Set Screws (1/4-20 x 1/2"), 4 ea. Socket Head Set Screws (10-32 x 1/8")
C - Includes items 5-10. The Quad Link Mounting Hardware accommodates MKIV RX, A, A+ and PSF/PSR joysticks.
C1 - When ordering the Quad Link for the first time, Additional hardware is required for 1556 Heavy Duty and TCPD Touch Pad joysticks. See pictorial for reference.
D - Includes items 24 and 25
E - Includes items 27 and 28
F - Not Shown
G - Includes items 13-21. The Quad Link Mounting Hardware accommodates MKIV RX, A, A+ and PSF/PSR joysticks.
H - If Quad Link is to be mounted on chairs w/ van seats built Before 4/07/06, then the Armrest Attach. Hdwr. (1074120) for 18" wide or (1101917) for 20" & 22" wide must be ordered as well.
H1 - See page titled "Captain Seat Arms and Hardware" page. The new armrest plates have 3 additional holes drilled so that the quad link can be properly mounted.
I - Use with Captain Seats only
J - Individual components are non-saleable

MKIV Controllers, Programmer and Hardware

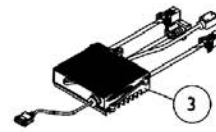
MKIV Quad Pulse, RII Retro and RII 80 Amp



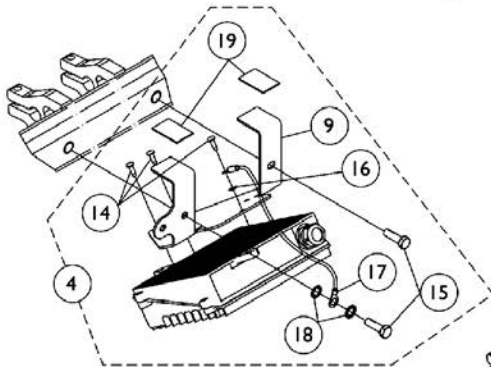
MKIV Quad Pulse



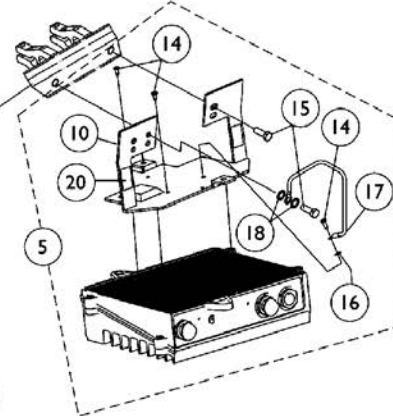
MKIV RII Retro



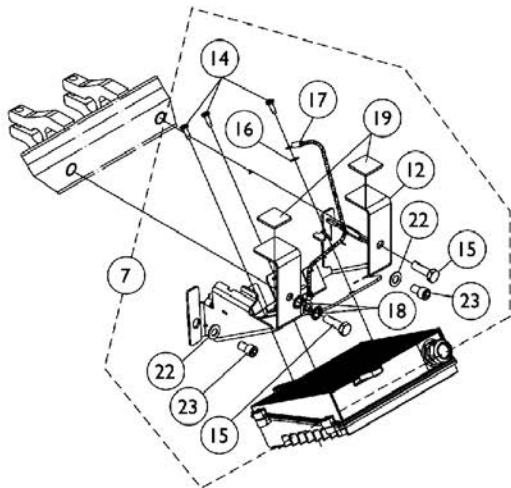
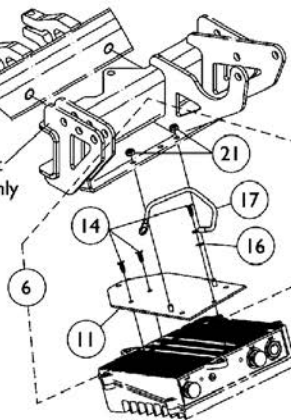
MKIV RII 80 AMP.



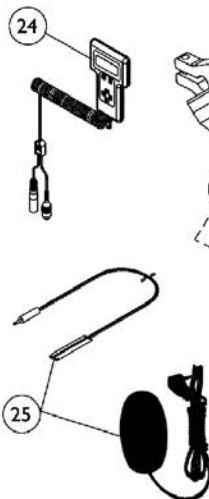
Partial view of Base Frame shown for reference only



Frame Support Bracket shown for reference only



Item #7 Part Number 1139436



Item #8 Part Number 1140486

MKIV Controllers, Programmer and Hardware

MKIV Quad Pulse, RII Retro and RII 80 Amp

Item Number	Note	Part Number	Description	Quantity Per	
				Package	Assembly
1	A	1105707-NLA	NLA - Controller, MKIV Quad Pulse	1	1
2	A,C,F	1095269-NLA	NLA - Controller, MKIV RII, Retro	1	1
3	B,D,G	1106819-NLA	NLA - Controller, MKIV RII (80 AMP)	1	1
4-8		See Chart	Controller Mounting Bracket with Hardware	1	1
9	E	1092661-NLA	NLA - Bracket w/ Fastener Strips, Controller Mounting	1	1
10	F	1092659-NLA	NLA - Kit, Controller Mounting Bracket with Fastener Strips, Black	1	1
11	G	1087790-NLA	NLA - Bracket, Controller Mounting, Black	1	1
12	H	1140265	Bracket with Fastener Strips, Controller Mounting	1	1
13	I	1140484-NLA	NLA - Bracket, Controller Mounting, Black	1	1
14		1040223-NLA	NLA - Screw (#8-32 x 1/2")	1	3
15		1104258	Screw, Hex Head w/ Patch (5/16-18 x 1")	1	2
16	O	1027263-NLA	NLA - Washer, Lock Internal Tooth (#10)	1	1
17		1104260-NLA	NLA - Wire, Grounding Jumper Strap E.S.D.	1	1
18		1023263-NLA	NLA - Washer, Internal Tooth (M8)	1	2
19		1070504-NLA	NLA - Fastener, Hook with Adhesive Back (1" W x 1" L)	1	2
20		1092662-NLA	NLA - Package, Fastener, Dual Lock 250 (1/2" W x 7/8" L)	10	1
21		1025735	Locknut (#10-32)	1	2
22		1025704	Washer, Flat (5/16 x 5/8 x 1/16")	1	2
23		1091541-NLA	NLA - Screw, Socket Head Cap (5/16-18 x 1/2")	1	2
24		1109091-NLA	NLA - Programmer, Remote	1	1
25	J	1020818	Switch, Red Flex Ribbon (Tape) Reset	1	1
25	K	1123276	Kit, Switch, Black Egg Reset w/ Hook/Loop Adhesive Back Fastener & Attaching Screws (EGSBLK)	1	1
	L,N	1107296-NLA	NLA - Harness, Battery (22NF)	1	1
	L,N	1109509-NLA	NLA - Harness, Battery (GP24)	1	1
	L,N	1108692-NLA	NLA - Decal, RII 80 Amp	1	1
	M,N	1105912-NLA	NLA - Kit, Electro Static Discharge Ground Strap - MKIV	1	1
	N,P	1105913-NLA	NLA - Instruction Sheet, E.S.D. Strap Kit MKIV	1	1
	N	1095204-NLA	NLA - Cable, Virtual Service, Charger/Modem	1	1
	N	1064404-NLA	NLA - Virtual Service Modem Kit	1	1
	N	1091631-NLA	NLA - Virtual Service Software Kit	1	1
	N	1103051-NLA	NLA - MKIV One 2 One Software Kit	1	1
	N	1046117-NLA	NLA - Printer and Interface	1	1
	N	1091980-NLA	NLA - Disk, 3.5 H.D. Floppy with V.S. Software	1	1
	N	1091637-NLA	NLA - Adaptor, Null Modem	1	1
	N	1091636-NLA	NLA - Service Manual - V.S. Software Kit	1	1
	N	1026572-NLA	NLA - Paper, Printer	1	1

MKIV Controllers, Programmer and Hardware

MKIV Quad Pulse, RII Retro and RII 80 Amp

Item Number	Note	Part Number	Description	Quantity Per	
				Package	Assembly
	N	1027280-NLA	NLA - Harness, Printer Wiring	1	1
<p>NOTE: A - It is recommended that an E.S.D. ground strap kit part number 1105912 be ordered when a new controller is needed for chairs built before 4/12/01. MKIV Quad Pulse Controller is also used for 3GTQ-TS models also</p> <p>B - Battery harness (part number 1107296 for 22NF batteries) or (part number 1109509 for GP 24 batteries) must be present when the RII 80 AMP controller is used. RII 80 Amp. joystick decal part number 1108692 is also used.</p> <p>C - Used for Torque SP before 11/01/01</p> <p>D - Used on Torque SP after 10/31/01</p> <p>E - Comes packaged in item 4 Controller Mounting Bracket with Hardware. See chart for Bracket application</p> <p>F - Comes packaged in item 5 Controller Mounting Bracket with Hardware. See chart for Bracket application</p> <p>G - Comes packaged in item 6 Controller Mounting Bracket with Hardware. See chart for Bracket application</p> <p>H - Comes packaged in item 7 Controller Mounting Bracket with Hardware. See chart for Bracket application</p> <p>I - Comes packaged in item 8 Controller Mounting Bracket with Hardware. See chart for Bracket application</p> <p>J - Before 5/24/04</p> <p>K - After 5/23/04. The Egg Reset Switch replaced the Red Flex Ribbon (Tape) Reset Switch</p> <p>L - Required when a MKIV RII 80 Amp. Controller is used</p> <p>M - Includes items 14-17 and Instruction Sheet</p> <p>N - Not Shown</p> <p>O - Part #1023263 is no longer available as a service part individually. Must order a complete Controller Mounting Bracket w/ Hardware Kit as a replacement.</p> <p>P - Item is no longer available from the Invacare Service Parts Department. Refer to the Invacare Website under "Product Literature Search". Enter the part number in the "Keywords" field and download a free PDF version copy.</p>					

Item #'s 4-8 Controller Mounting Bracket with Hardware

Seating System	Item #4 Controller Mounting Bracket with Hardware	Item #5 Controller Mounting Bracket with Hardware	Item #6 Controller Mounting Bracket with Hardware	Item #7 and #8 Controller Mounting Bracket with Hardware For TRRO/TRBKTS Option
Van Seat with one controller	1070401-NLA See Note(s) A	N/A	N/A	N/A
ASBA/ADJASBA w/ one controller	1070401-NLA See Note(s) A	N/A	N/A	1139436-NLA See Note(s) F, D
ASBA/ADJASBA with two controllers	N/A	1092650-NLA See Note(s) B	N/A	1140486-NLA See Note(s) F, E
ASBA/ADJASBA with two controllers, shock forks and short base together as of 5/20/02	N/A	1092650-NLA See Note(s) B	N/A	1140486-NLA See Note(s) G, E
ESS6-STM (Elevating Seat) with one controller	1070401-NLA See Note(s) A	N/A	N/A	N/A
ESS6-STM (Elevating Seat) with two controllers	N/A	1092650-NLA See Note(s) B	N/A	N/A
ESS-PTO with two controllers	N/A	1092650-NLA See Note(s) B	N/A	N/A

MKIV Controllers, Programmer and Hardware

MKIV Quad Pulse, RII Retro and RII 80 Amp

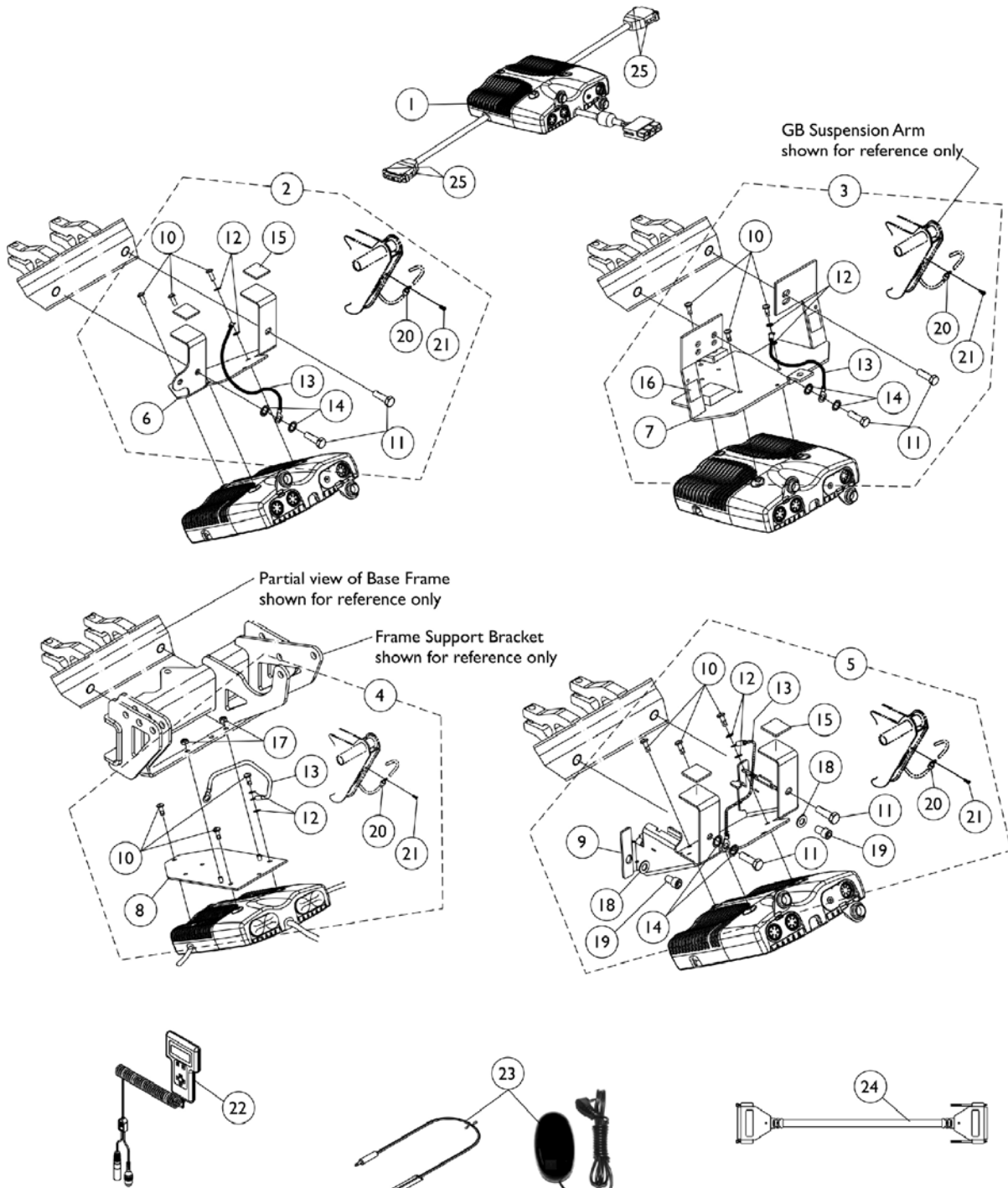
Item #'s 4-8 Controller Mounting Bracket with Hardware

Seating System	Item #4 Controller Mounting Bracket with Hardware	Item #5 Controller Mounting Bracket with Hardware	Item #6 Controller Mounting Bracket with Hardware	Item #7 and #8 Controller Mounting Bracket with Hardware For TRRO/TRBKTS Option
ESS-PTO with two controllers, shock forks and short base together as of 5/20/02	N/A	1092650-NLA See Note(s) B	N/A	N/A
Power Tilt Only (PTO) with one controller	N/A	N/A	1107312-NLA See Note(s) C	N/A
2GT with one controller	N/A	1092650-NLA See Note(s) B	N/A	1139436-NLA See Note(s) D, G
2GT with one controller, shock forks and short base together as of 5/20/02	1070401-NLA See Note(s) A	N/A	N/A	1139436-NLA See Note(s) D, G
2GT/2GR/2GTR with two controllers	N/A	1092650-NLA See Note(s) B	N/A	1140486-NLA See Note(s) G, E
2GT/2GR/2GTR with two controllers, shock forks and short base together as of 5/20/02	N/A	1092650-NLA See Note(s) B	N/A	1140486-NLA See Note(s) G, E
NOTE: A - Includes items 9 and 14-19 B - Includes items 10, 14-18 and 20 C - Includes items 11, 14, 16, 17 and 21 D - Includes items 12, 14-19, 22 and 23 E - Includes items 13 and 14-18 F - Used when TRRO or TRBKTS option is ordered G - Used only when TRBKTS option is ordered. TRRO option is not offered NOTE: Two Controllers = Joystick Controller and Powered Seating System Actuator Controller are being used				

MKIV Controllers, Programmer and Hardware

MKIV TrueTrack

NOTE: GB motors were not available with the Arrow (301-401HD) user weight selection until 1/26/04 when the TTHD GB motors covered all Arrow user weight limits STANDARD. NOTE: GB motors were not available with the Torque SP (301-351 TQHD) user weight selection until 1/26/04 when the user weight limit was raised to 400 Lbs. See Motor/Gearbox Assembly Reference Charts for additional standard/optional on-chair applications for all models



MKIV Controllers, Programmer and Hardware

MKIV TrueTrack

NOTE: GB motors were not available with the Arrow (301-401HD) user weight selection until 1/26/04 when the TTHD GB motors covered all Arrow user weight limits STANDARD. NOTE: GB motors were not available with the Torque SP (301-351 TQHD) user weight selection until 1/26/04 when the user weight limit was raised to 400 Lbs. See Motor/Gearbox Assembly Reference Charts for additional standard/optional on-chair applications for all models

MKIV Controllers, Programmer and Hardware

MKIV TrueTrack

NOTE: GB motors were not available with the Arrow (301-401HD) user weight selection until 1/26/04 when the TTHD GB motors covered all Arrow user weight limits STANDARD. NOTE: GB motors were not available with the Torque SP (301-351 TQHD) user weight selection until 1/26/04 when the user weight limit was raised to 400 Lbs. See Motor/Gearbox Assembly Reference Charts for additional standard/optional on-chair applications for all models

Item Number	Note	Part Number	Description	Quantity Per	
				Package	Assembly
1	A,B,C	1110861-NLA	NLA - Controller with Instructions, MKIV GB (TrueTrack) Non-Heavy Duty	1	1
1	B,D	1109540-NLA	NLA - Controller with Instructions, MKIV GB (TrueTrack) Non-Heavy Duty	1	1
1	E,E1,N	1116603-NLA	NLA - Kit, Controller w/ Instructions, MKIV GB (TrueTrack) Heavy Duty	1	1
2-5		See Chart	Controller Mounting Bracket with Hardware	1	1
6	F	1092661-NLA	NLA - Bracket w/ Fastener Strips, Controller Mounting	1	1
7	G	1092659-NLA	NLA - Kit, Controller Mounting Bracket with Fastener Strips, Black	1	1
8	H	1087790-NLA	NLA - Bracket, Controller Mounting, Black	1	1
9	I	1140264	Kit, Controller Mounting Bracket w/ Fastener Strips, Black	1	1
10		40163X002	Screw, Phillips Round Head (#10-32 x 1/2")	1	3
11		1104258	Screw, Hex Head w/ Patch (5/16-18 x 1")	1	2
12		1027263-NLA	NLA - Washer, Lock Internal Tooth (#10)	1	2
13		1104260-NLA	NLA - Wire, Grounding Jumper Strap E.S.D.	1	1
14	P	1023263-NLA	NLA - Washer, Internal Tooth (M8)	1	2
15		1070504-NLA	NLA - Fastener, Hook with Adhesive Back (1" W x 1" L)	1	2
16		1092662-NLA	NLA - Package, Fastener, Dual Lock 250 (1/2" W x 7/8" L)	10	1
17		1025735	Locknut (#10-32)	1	2
18		1025704	Washer, Flat (5/16 x 5/8 x 1/16")	1	2
19		1091541-NLA	NLA - Screw, Socket Head Cap (5/16-18 x 1/2")	1	2
20		1079245-NLA	NLA - Clamp, Cable	1	2
21		1028755	Screw, Phillips Pan Head (#10-32 x 5/8")	1	2
22		1109091-NLA	NLA - Programmer, Remote	1	1
23	J	1020818	Switch, Red Flex Ribbon (Tape) Reset	1	1
23	K	1123276	Kit, Switch, Black Egg Reset w/ Hook/Loop Adhesive Back Fastener & Attaching Screws (EGSBLK)	1	1
24		1091121-NLA	NLA - Cable, Motor Extension, GB (8")	1	1
25		1159217	Package, Thumb Screw (1-1/2" L)	10	1
	M,O,O 1	1134214	Kit, GB HD Controller Gasket Connector	1	1
	L,M	1105910-NLA	NLA - Kit, ESD Ground Strap - GB	1	1
	M,Q	1105911-NLA	NLA - Instruction Sheet, ESD Kit (GB)	1	1

MKIV Controllers, Programmer and Hardware

MKIV TrueTrack

NOTE: GB motors were not available with the Arrow (301-401HD) user weight selection until 1/26/04 when the TTHD GB motors covered all Arrow user weight limits STANDARD. NOTE: GB motors were not available with the Torque SP (301-351 TQHD) user weight selection until 1/26/04 when the user weight limit was raised to 400 Lbs. See Motor/Gearbox Assembly Reference Charts for additional standard/optional on-chair applications for all models

Item Number	Note	Part Number	Description	Quantity Per	
				Package	Assembly
	M	1118363-NLA	NLA - Instruction Sheet, Replacing and Calibrating MKIV (GB) Controller	1	1
	M	1043576-NLA	NLA - Service Manual, MKIV Electronics	1	1
	M	1095204-NLA	NLA - Cable, Virtual Service, Charger/Modem	1	1
	M	1064404-NLA	NLA - Virtual Service Modem Kit	1	1
	M	1091631-NLA	NLA - Virtual Service Software Kit	1	1
	M	1103051-NLA	NLA - MKIV One 2 One Software Kit	1	1
	M	1091980-NLA	NLA - Disk, 3.5 H.D. Floppy with V.S. Software	1	1
	M	1091637-NLA	NLA - Adaptor, Null Modem	1	1
	M	1091636-NLA	NLA - Service Manual - V.S. Software Kit	1	1
	M	1046117-NLA	NLA - Printer and Interface	1	1
	M	1026572-NLA	NLA - Paper, Printer	1	1
	M	1027280-NLA	NLA - Harness, Printer Wiring	1	1

NOTE:

- A - It is recommended that an E.S.D. ground strap kit part number 1105910 be ordered when a new controller is needed for chairs built before 4/12/01
- B - Controller w/o instructions before 4/1/02 is 1079890 and after 3/31/02 is 1109528 as noted on the controller decal
- C - Before 4/1/02. No longer available. Use part number 1109540 as a replacement
- D - After 3/31/02
- E - Controller w/o instructions is part number 1116589 as noted on the controller decal. MKIV GB heavy duty TTHD controllers older than serial number 15704A028 are not compatible with -
- E1 - Group 24 battery box lids made after 1/25/04 (3/14/04 for VA Government orders) that contain a 125 Amp. fuse
- F - Comes packaged with item 2 Controller Mounting Bracket with Hardware. See chart for Bracket application
- G - Comes packaged with item 3 Controller Mounting Bracket with Hardware. See chart for Bracket application
- H - Comes packaged with item 4 Controller Mounting Bracket with Hardware. See chart for Bracket application
- I - Comes packaged with item 5 Controller Mounting Bracket with Hardware. See chart for Bracket application
- J - Before 5/24/04
- K - After 5/23/04. The Egg Reset Switch replaced the Red Flex Ribbon (Tape) Reset Switch
- L - Includes items 10-13 and Instruction Sheet
- M - Not Shown
- N - Controller will include a Controller Gasket Connector Kit created 10/26/07 that attaches to the controller motor cables.
- O - Kit was created 10/26/07 and attaches to the controller motor cables. Includes 2 ea. GB HD Controller Gasket Connectors, 2 ea. Silicon Lubricant Packets, 1 ea. Instruction Sheet. Individual components are non-saleable.
- O1 - The kit can retrofit to existing GB HD controllers in the field
- P - Part #1023263 is no longer available as a service part individually. Must order a complete Controller Mounting Bracket w/ Hardware as a replacement.
- Q - Item is no longer available from the Invacare Service Parts Department. Refer to the Invacare Website under "Product Literature Search". Enter the part number in the "Keywords" field and download a free PDF version copy.

Item #'s 2-5 Controller Mounting Bracket with Hardware

MKIV Controllers, Programmer and Hardware

MKIV TrueTrack

NOTE: GB motors were not available with the Arrow (301-401HD) user weight selection until 1/26/04 when the TTHD GB motors covered all Arrow user weight limits STANDARD. NOTE: GB motors were not available with the Torque SP (301-351 TQHD) user weight selection until 1/26/04 when the user weight limit was raised to 400 Lbs. See Motor/Gearbox Assembly Reference Charts for additional standard/optional on-chair applications for all models

Item #'s 2-5 Controller Mounting Bracket with Hardware

Seating System	Item #2 Controller Mounting Bracket with Hardware	Item #3 Controller Mounting Bracket with Hardware	Item #4 Controller Mounting Bracket with Hardware	Item #3 and #5 Controller Mounting Bracket with Hardware For TRRO/TRBKTS Option
Van Seat with one controller	1079244-NLA <small>See Note(s) A</small>	N/A	N/A	N/A
ASBA/ADJASBA w/ one controller	1079244-NLA <small>See Note(s) A</small>	N/A	N/A	1135972-NLA <small>See Note(s) D, E</small>
ASBA/ADJASBA with two controllers	N/A	1092651-NLA <small>See Note(s) B</small>	N/A	1092651-NLA <small>See Note(s) E, B</small>
ASBA/ADJASBA with two controllers, shock forks and short base together as of 5/20/02	N/A	1092651-NLA <small>See Note(s) B</small>	N/A	1092651-NLA <small>See Note(s) B, F</small>
ESS6-STM (Elevating Seat) with one controller	1079244-NLA <small>See Note(s) A</small>	N/A	N/A	N/A
ESS6-STM (Elevating Seat) with two controllers	N/A	1092651-NLA <small>See Note(s) B</small>	N/A	N/A
ESS-PTO with two controllers	N/A	1092651-NLA <small>See Note(s) B</small>	N/A	N/A
ESS-PTO with two controllers, shock forks and short base together as of 5/20/02	N/A	1092651-NLA <small>See Note(s) B</small>	N/A	N/A
Power Tilt Only (PTO) with one controller	N/A	N/A	1107311-NLA <small>See Note(s) C</small>	N/A
2GT with one controller	N/A	1092651-NLA <small>See Note(s) B</small>		1135972-NLA <small>See Note(s) F, D</small>
2GT with one controller, shock forks and short base together as of 5/20/02	1079244-NLA <small>See Note(s) A</small>	N/A	N/A	1135972-NLA <small>See Note(s) D, F</small>
2GT/2GR/2GTR with two controllers	N/A	1092651-NLA <small>See Note(s) B</small>	N/A	1092651-NLA <small>See Note(s) F, B</small>
2GT/2GR/2GTR with two controllers, shock forks and short base together as of 5/20/02	N/A	1092651-NLA <small>See Note(s) B</small>	N/A	1092651-NLA <small>See Note(s) F, B</small>

MKIV Controllers, Programmer and Hardware

MKIV TrueTrack

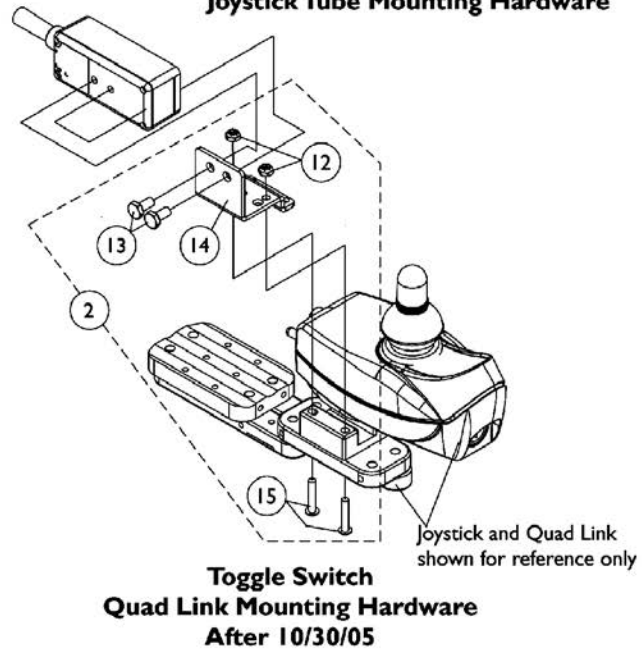
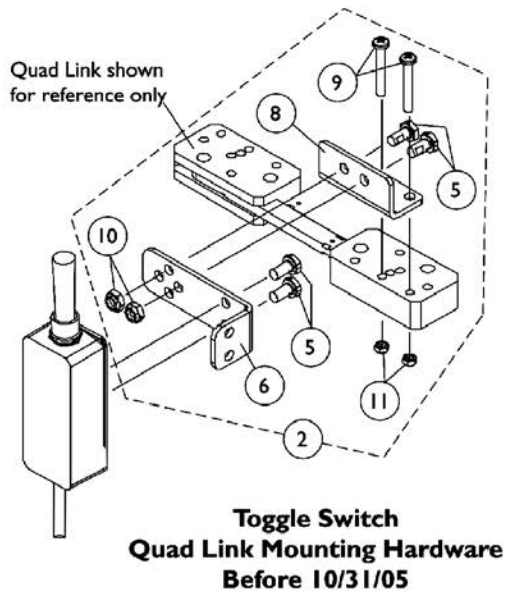
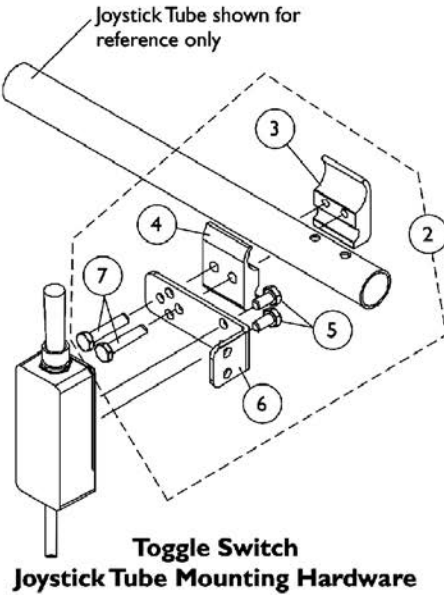
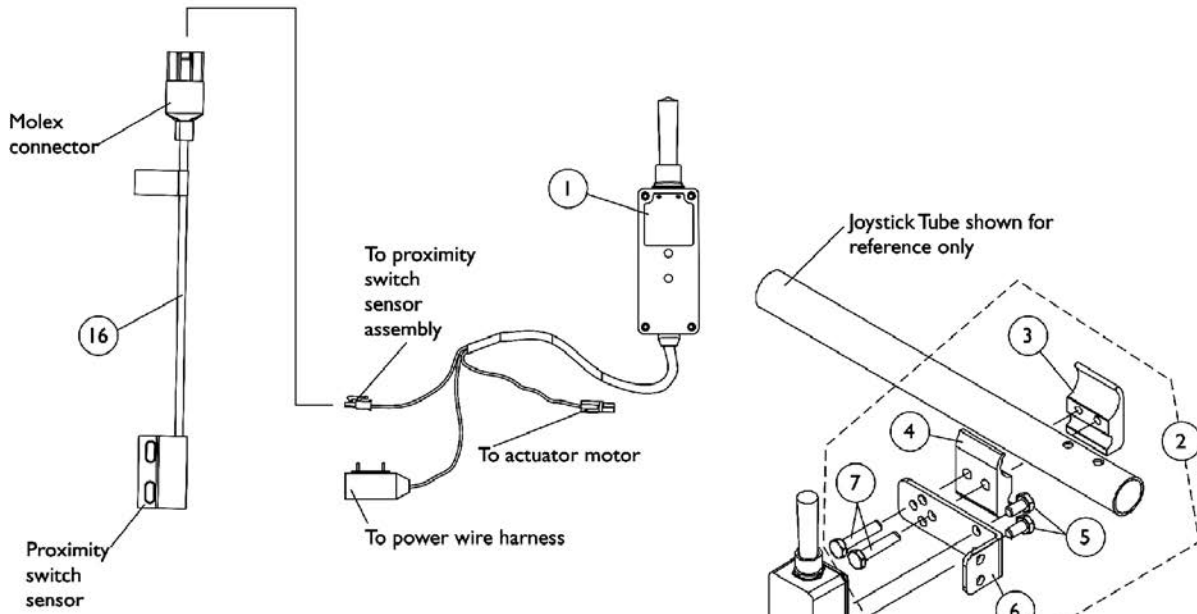
NOTE: GB motors were not available with the Arrow (301-401HD) user weight selection until 1/26/04 when the TTHD GB motors covered all Arrow user weight limits STANDARD. NOTE: GB motors were not available with the Torque SP (301-351 TQHD) user weight selection until 1/26/04 when the user weight limit was raised to 400 Lbs. See Motor/Gearbox Assembly Reference Charts for additional standard/optional on-chair applications for all models

NOTE: A - Includes items 6, 10-15, 20 and 21
B - Includes items 7, 10-14, 16, 20 and 21
C - Includes items 8, 10, 12, 13, 17, 20 and 21
D - Includes items 9, 10-15, 18-21
E - Used when TRRO or TRBKTS option is ordered
F - Used when TRBKTS option is ordered. TRRO option is not offered

NOTE: Two Controllers = Joystick Controller and Powered Seating System Actuator Controller are being used

Electronics

MKIV Elevating Seat Toggle Switch



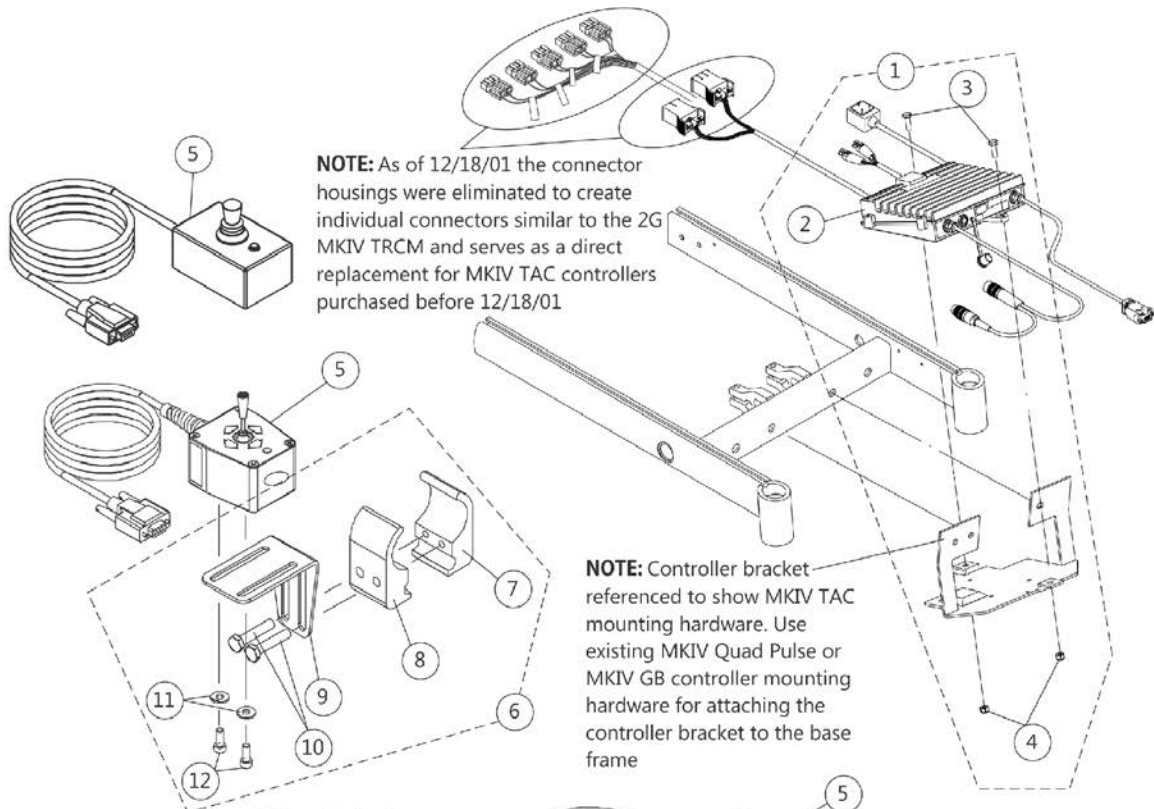
Electronics

MKIV Elevating Seat Toggle Switch

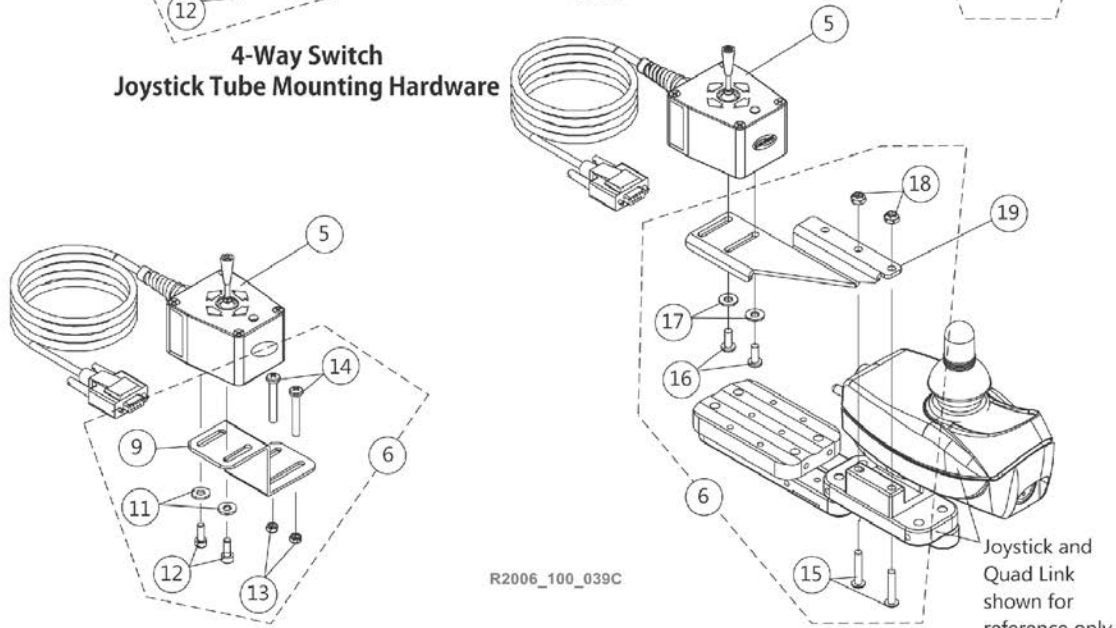
Item Number	Note	Part Number	Description	Quantity Per	
				Package	Assembly
1		1105700-NLA	NLA - Switch, MKIV Elevating Seat Toggle	1	1
2	A	1091496	Kit, Joystick Tube Toggle Switch Mounting Hardware	1	1
3			NLA - Half Clamp, Threaded Holes	1	1
4			Half Clamp, Non-Threaded Holes	1	1
5			Screw, Hex Head w/ Patch (1/4-20 x 1/2")	1	2
6			NLA - Bracket, Toggle Switch Mounting, Black	1	1
7			NLA - Screw, Hex Head (1/4-20 x 1-1/8")	1	2
2	B	1091497-NLA	NLA - Kit, Quad Link Toggle Switch Mounting Hardware	1	1
5			Screw, Hex Head w/ Patch (1/4-20 x 1/2")	1	4
6			NLA - Bracket, Toggle Switch Mounting, Black	1	1
8			NLA - Bracket, Quad Link Toggle Switch Mounting, Black	1	1
9			Screw, Phillips Pan Head (#10-32 x 1-3/8")	1	2
10			NLA - Locknut (1/4-20)	1	2
11			Locknut (#10-32)	1	2
2	C	1139684-NLA	NLA - Kit, Quad Link Toggle Switch Mounting Hardware	1	1
12			Locknut (#10-32)	1	2
13			Screw, Hex Head w/ Patch (1/4-20 x 1/2")	1	2
14			Bracket, Toggle Switch Mounting, Black	1	1
15			Screw, Phillips Pan Head w/Patch (#10-32 x 7/8")	1	2
16		1105715-NLA	NLA - Sensor, Proximity Switch	1	1
NOTE: A - Includes items 3-7 B - Before 10/31/05 and Includes items 5, 6 and 8-11 C - After 10/30/05 and includes items 12-15					

MKIV TAC and 4-Way Switch

NOTE: MKIV TAC and 4-way switch are used when Power Articulating Legrest Kits are ordered.



4-Way Switch Joystick Tube Mounting Hardware



4-Way Switch Quad Link Mounting Hardware Before 10/31/05

4-Way Switch Quad Link Mounting Hardware After 10/30/05

R2006_100_039C

MKIV TAC and 4-Way Switch

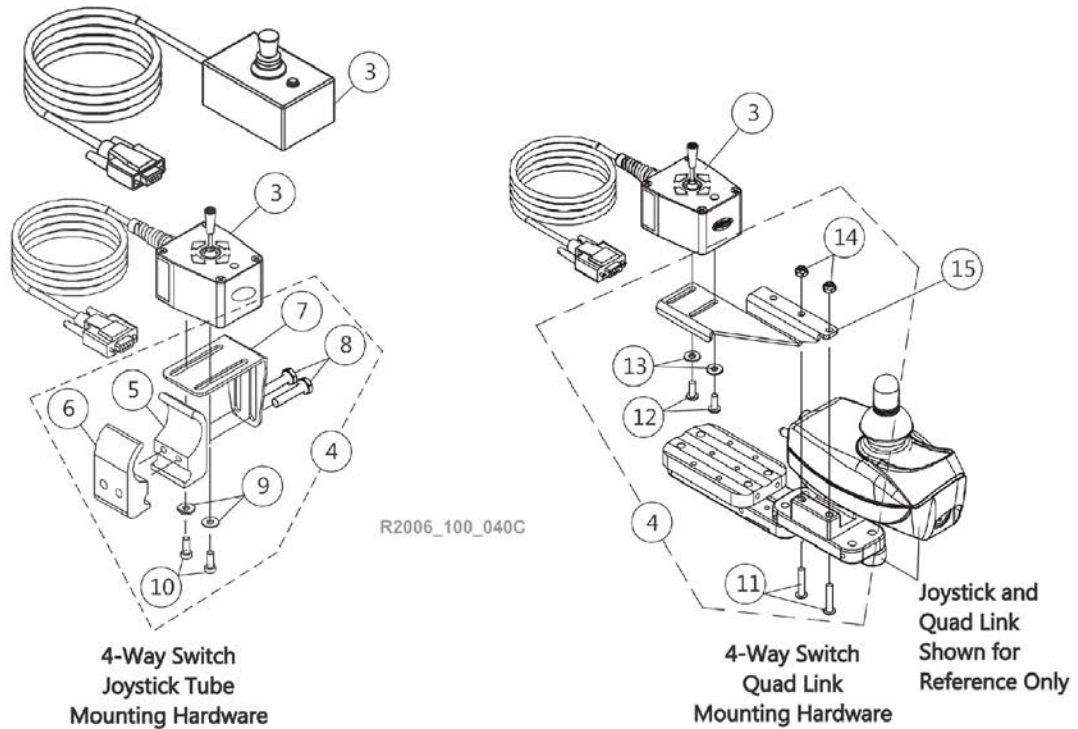
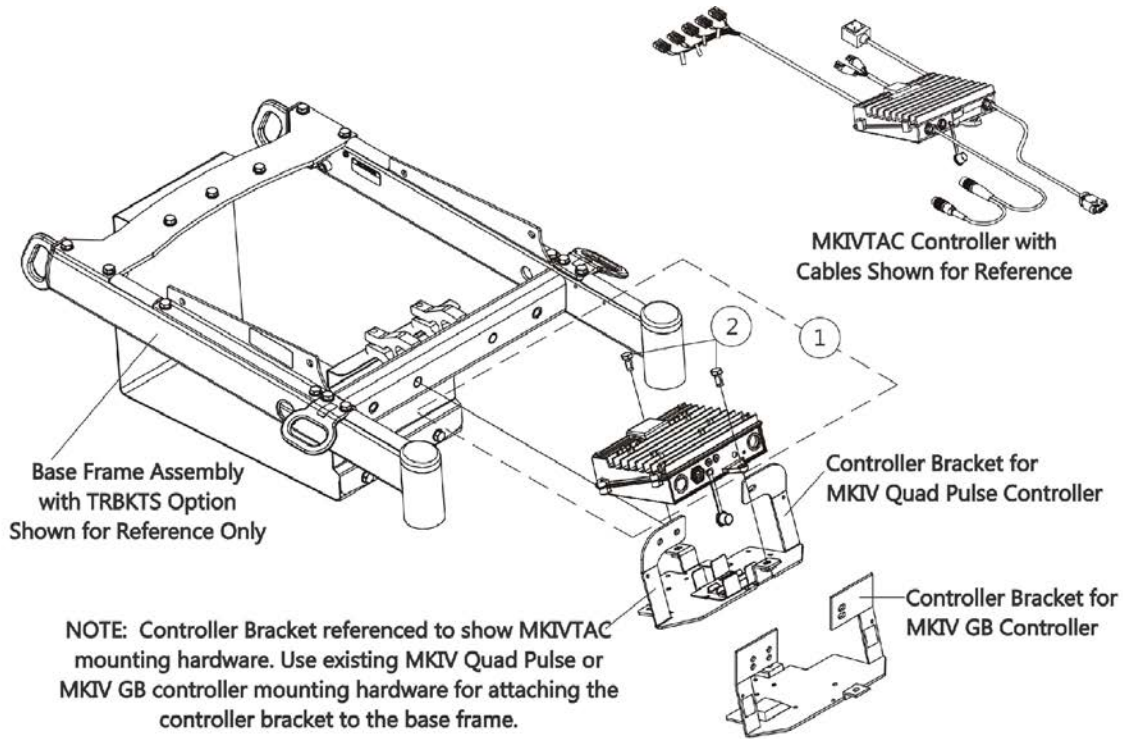
NOTE: MKIV TAC and 4-way switch are used when Power Articulating Legrest Kits are ordered.

Item Number	Note	Part Number	Description	Quantity Per	
				Package	Assembly
1	A,F	1104248-NLA	NLA - Controller w/ Hardware, MKIV TAC	1	1
1	B,E,F	1109552-NLA	NLA - Controller w/ Hardware, MKIV TAC	1	1
2	G	1098915-NLA	NLA - Controller, MKIV TAC	1	1
3		1070462-NLA	NLA - Screw, Hex Head w/ Patch (5/16-18 x 7/8")	1	2
4		1028769	Locknut (5/16-18)	1	2
5	I	1080116-NLA	NLA - Switch, 4-Way (FWT)	1	1
5		60105577	Kit, Switch, 4-Way (FWT)	1	1
6	C	1077519	Kit, 4-Way Switch Joystick Tube Mounting Hardware	1	1
7			NLA - Half Clamp, Threaded Holes	1	1
8			Half Clamp, Non-Threaded Holes	1	1
9			NLA - Bracket, Joystick Mounting, Black	1	1
10			NLA - Screw, Hex Head (1/4-20 x 1-1/8")	1	2
11			Washer (#10 Flat)	1	2
12			Screw, Phillips Pan Head (#10-32 x 1/2")	1	2
6	D,J	1077520-NLA	NLA - Kit, 4-Way Switch Quad Link Mounting Hardware	1	1
9			NLA - Bracket, Quad Link Mounting, Black	1	1
11			Washer (#10 Flat)	1	2
12			Screw, Phillips Pan Head (#10-32 x 1/2")	1	2
13			Locknut (#10-32)	1	2
14			Screw, Phillips Pan Head (#10-32 x 1-3/8")	1	2
6	H,J	1139418	Kit, 4-Way Switch Quad Link Mounting Hardware	1	1
15			Screw, Phillips Pan Head w/Patch (#10-32 x 7/8")	1	2
16			Screw, Phillips Pan Head (#10-32 x 1/2")	1	2
17			NLA - Washer, Nylon (#10)	1	2
18			Locknut (#10-32)	1	2
19		1134132	Bracket, 4-Way Switch Quad Link, Black - Right	1	1
19		1134133	Bracket, 4-Way Switch Quad Link, Black - Left	1	1

NOTE: A - Before 5/1/02
 B - After 4/30/02
 C - Includes items 7-12
 D - Before 11/31/05 and Includes items 9 and 11-14
 E - MKIV T.A.C. part number 1109552 is not compatible with power legs with an inline actuator made before 5/1/02
 F - Includes items 2-4
 G - Part number 1098915 is being sold with the hardware. See item #1 part number 1104248
 H - After 11/30/05 and includes items 15-19
 I - Part # 1080116 is No Longer Available. Order item #1 part number 60105577 as a replacement. New design is rectangular in shape. It is recommended to order new Hardware 1077519 as well.
 J - 4-Way Toggle Switch 60105577 is not compatible with this hardware.

MKIV TAC and 4-Way Switch For TRBKTS Option

NOTE: MKIV TAC and 4-way switch are used when Power Articulating Legrest Kits are ordered.

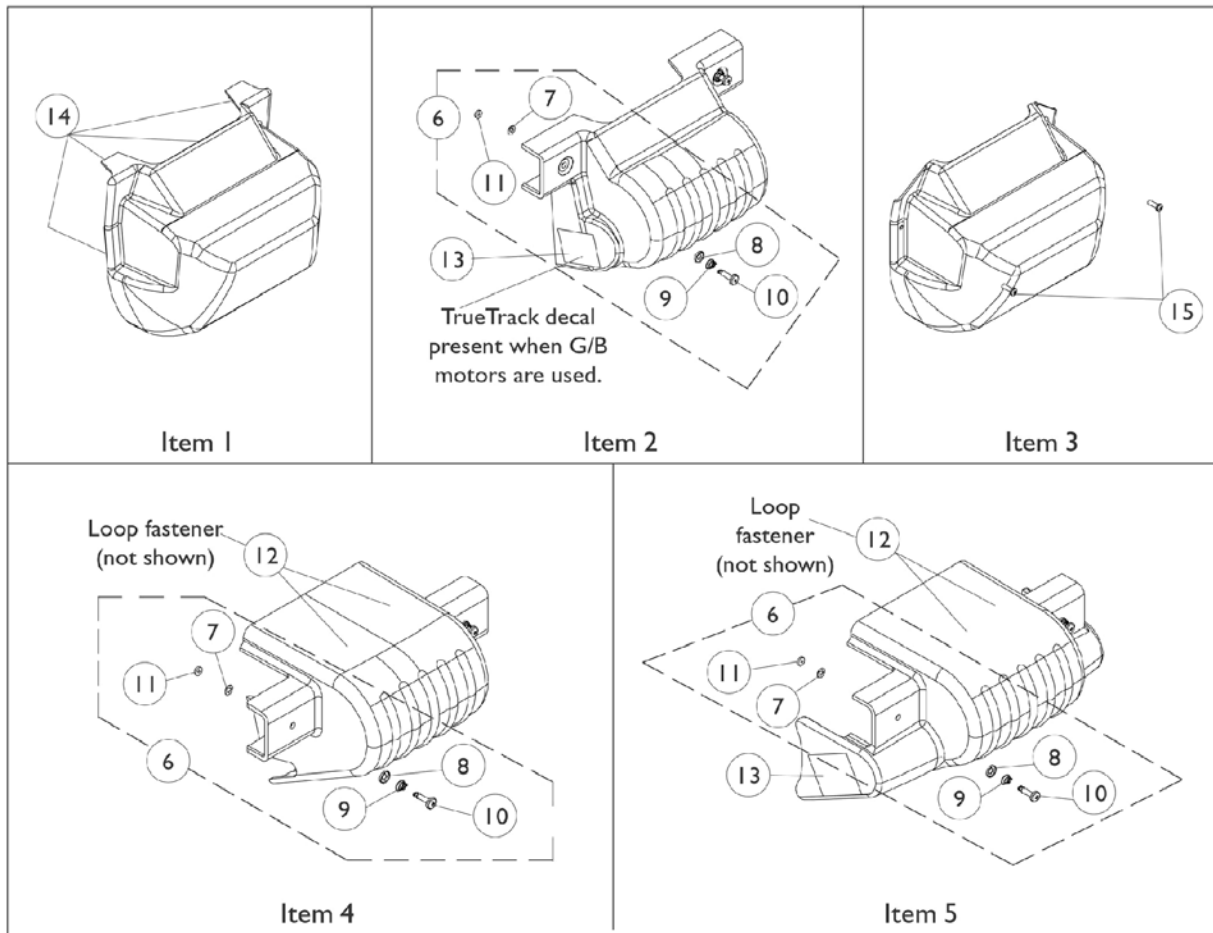


MKIV TAC and 4-Way Switch For TRBKTS Option

NOTE: MKIV TAC and 4-way switch are used when Power Articulating Legrest Kits are ordered.

Item Number	Note	Part Number	Description	Quantity Per	
				Package	Assembly
1	A	1140487-NLA	NLA - Controller w/ Hardware, MKIV TAC For TRBKTS Option	1	1
2		1122652	Screw, Hex Head w/ Patch (5/16-18 x 5/8")	1	2
3	D	1080116-NLA	NLA - Switch, 4-Way (FWT)	1	1
3		60105577	Kit, Switch, 4-Way (FWT)	1	1
4	B	1077519	Kit, 4-Way Switch Joystick Tube Mounting Hardware	1	1
5			NLA - Half Clamp, Threaded Holes	1	1
6			Half Clamp, Non-Threaded Holes	1	1
7			NLA - Bracket, Joystick Mounting, Black	1	1
8			NLA - Screw, Hex Head (1/4-20 x 1-1/8")	1	2
9			Washer (#10 Flat)	1	2
10			Screw, Phillips Pan Head (#10-32 x 1/2")	1	2
4	C,E	1139418	Kit, 4-Way Switch Quad Link Mounting Hardware	1	1
11			Screw, Phillips Pan Head w/Patch (#10-32 x 7/8")	1	2
12			Screw, Phillips Pan Head (#10-32 x 1/2")	1	2
13			NLA - Washer, Nylon (#10)	1	2
14			Locknut (#10-32)	1	2
15		1134132	Bracket, 4-Way Switch Quad Link, Black - Right	1	1
15		1134133	Bracket, 4-Way Switch Quad Link, Black - Left	1	1
<p>NOTE: A - Includes the controller, item 2 and used for TRBKTS Option. B - Includes items 5-10 C - Includes items 11-14 D - Part # 1080116 is No Longer Available. Order item #3 part number 60105577 as a replacement. New design is rectangular in shape. It is recommended to order new Hardware 1077519 as well. E - Part # 60105577 4-Way Toggle Switch is not compatible with this hardware.</p>					

Controller Shroud Covers



Controller Shroud Covers

Seating System Type	Item 1	Item 2	Item 3	Item 4	Item 5
	1091310-NLA	1104841-NLA See Note(s) A	1112684-NLA	1104839	1104822-NLA See Note(s) B
A.S.B.A. Seat	Before 7/16/01 w/ Two Controllers	After 7/15/01 To Present w/ Two Controllers	After 5/19/02 w/ Two Controllers, Short Base and Shock Forks Present	One Controller, 4-Pole Motors or (GB Motors w/ Wheel locks), (with or without Shock Forks) and Short Base	One Controller, (GB Motors w/o Wheel locks), (with or without Shock Forks) and Short Base
ESS6-STM Elevating Seat	N/A	After 7/15/01 To Present w/ Two Controllers	N/A	One Controller, 4-Pole Motors or (GB Motors w/ Wheel locks), (with or without Shock Forks) and Short Base	One Controller, (GB Motors w/o Wheel locks), (with or without Shock Forks) and Short Base
ESS-PTO Elevating Seat w/ Power Tilt Only See Note(s) C	N/A	After 7/15/01 To Present w/ Two Controllers	After 5/19/02 w/ Two Controllers, Short Base and Shock Forks Present	N/A	N/A
VAN Seat	N/A	N/A	N/A	One Controller, 4-Pole Motors or (GB Motors w/ Wheel locks), (with or without Shock Forks) and Short Base	One Controller, (GB Motors w/o Wheel locks), (with or without Shock Forks) and Short Base

NOTE: A - Two TrueTrack decals must be ordered when G/B motors are present for chairs made after 6/2/02.

B - Shroud cover includes the TrueTrack decals and loop fasteners.

C - When a PTO is ordered without the elevate seat option, the controller cover is omitted

NOTE: All controller shroud covers include mounting hardware.

NOTE: When a 2G Powered Seating System is present, see the 2G Powered Seating system parts book Form # 99-150 for the correct controller shroud cover.

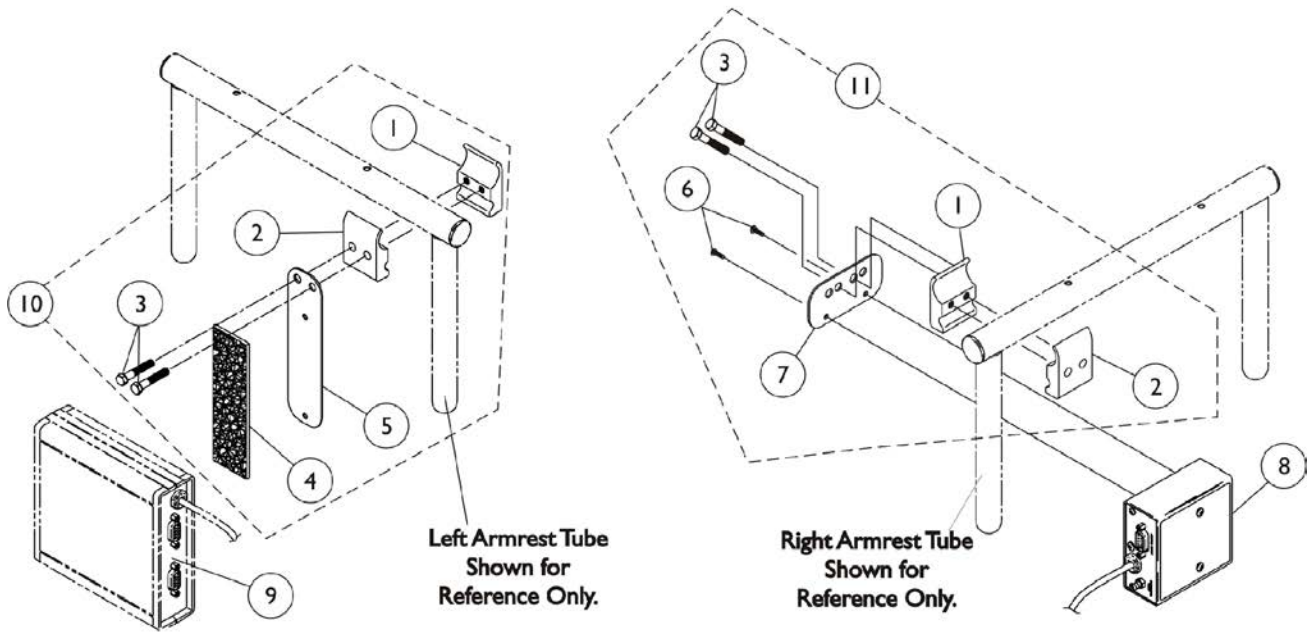
NOTE: Two controllers are identified as one chair equipped with a joystick controller and a seating system actuator(s) controller.

Controller Shroud Covers

Item Number	Note	Part Number	Description	Quantity Per	
				Package	Assembly
6	A	1104706-NLA	NLA - Kit, Controller Shroud Mounting Hardware (Pair)	2	1
7		1070580-NLA	NLA - Washer, Nylon Retainer (1/4 x 1/2 x 1/32")	1	2
8		1070581-NLA	NLA - Washer, Nylon Cupped (9/32 x 19/32 x 3/32")	1	2
9		1093312-NLA	NLA - Spring, Torsion Ejector	1	2
10	B	1110508-NLA	NLA - Stud, Phillips Recess (1/4" Dia. x 1" Long, 1/4 Turn)	1	2
11		1110509-NLA	NLA - Retainer, Stud (1/4" Turn)	1	2
12		1079246-NLA	NLA - Fastener, Loop Adhesive Back (1" W x 3" L)	1	2
13		1104799-NLA	NLA - Decal, TrueTrack	1	2
14		1092662-NLA	NLA - Package, Fastener, Dual Lock 250 (1/2" W x 7/8" L)	10	4
15		1028755	Screw, Phillips Pan Head (#10-32 x 5/8")	1	2
	C	See Chart	Controller Shroud Covers	1	1

NOTE: A - Includes items 7-11
 B - Due to a hardware change, when item 10 is requested, refer to Item 6 for chairs manufactured before 2/21/02
 C - Not Shown

MKIV Sip-N-Puff/Digital Interface and COM12 and COM34



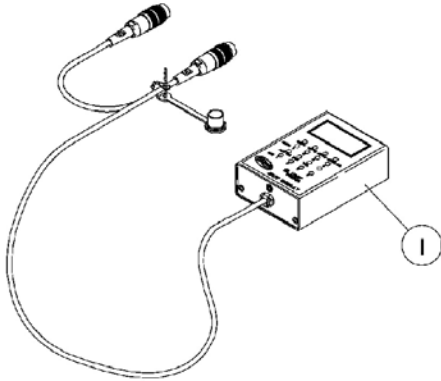
COM12 And COM34 ON CHAIR
1038639 1086241 OFF CHAIR

SNPM4 ON CHAIR
1038635 OFF CHAIR

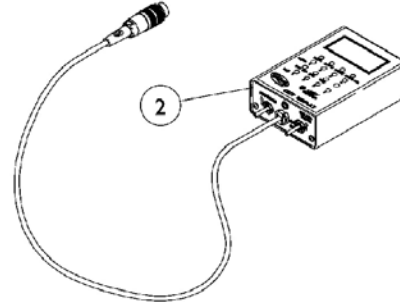
MKIV Sip-N-Puff/Digital Interface and COM12 and COM34

Item Number	Note	Part Number	Description	Quantity Per	
				Package	Assembly
8		1038635-NLA	NLA - Sip-N-Puff w/ Digital Interface	1	1
9	D	See Note	See Footnote	1	1
9		1086241-NLA	NLA - Module, Communication, COM34/AUX34	1	1
10	A	1049592-NLA	NLA - Kit, COM12/AUX12 and COM34/AUX34 Mounting Hardware	1	1
1			NLA - Half Clamp, Threaded Holes	1	1
2			Half Clamp, Non-Threaded Holes	1	1
3			NLA - Screw, Hex Head (1/4-20 x 1-1/8")	1	2
4			NLA - Fastener, Dual Lock Hook and Loop Adhesive (2" W x 12" L)	1	1
5			NLA - Plate, COM12/AUX12 and COM34/AUX34 Mounting	1	1
11	B,C	1049593	Kit, SNP/DI, MK5 SAC, 4WSB, S4WSB, GTAM, AUX12M6, AUX34M6 Mtg. Hdwr.	1	1
1			NLA - Half Clamp, Threaded Holes	1	1
2			Half Clamp, Non-Threaded Holes	1	1
3			NLA - Screw, Hex Head (1/4-20 x 1-1/8")	1	2
6			Screw, Phillips Pan Head (#4-40 x 3/8")	1	2
7			Plate, Mounting	1	1
<p>NOTE: A - Mounting hardware includes items 1-5. Item 4 that is packaged with the kit will only be a 4" long "loop" fastener. B - Includes items 1-3 and 6-7 C - As of 5/22/07 the Mounting Plate holes and the orientation of the Hardware was revised to attach the electronics closer to the chair. The Mounting Hardware Kit is backward compatible. D - Part is no longer serviceable in the field.</p>					

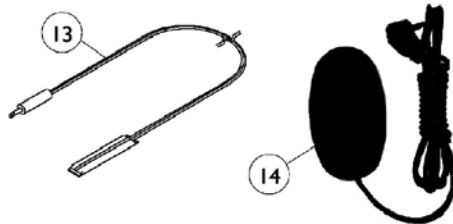
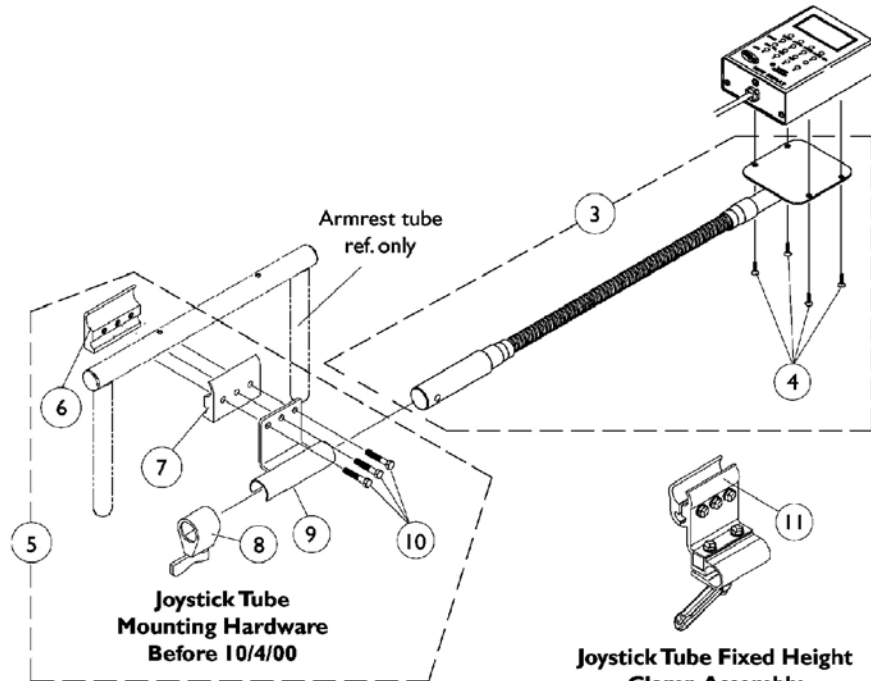
MKIV Displays



1108490
Display without
switches



1108489
Display with switches



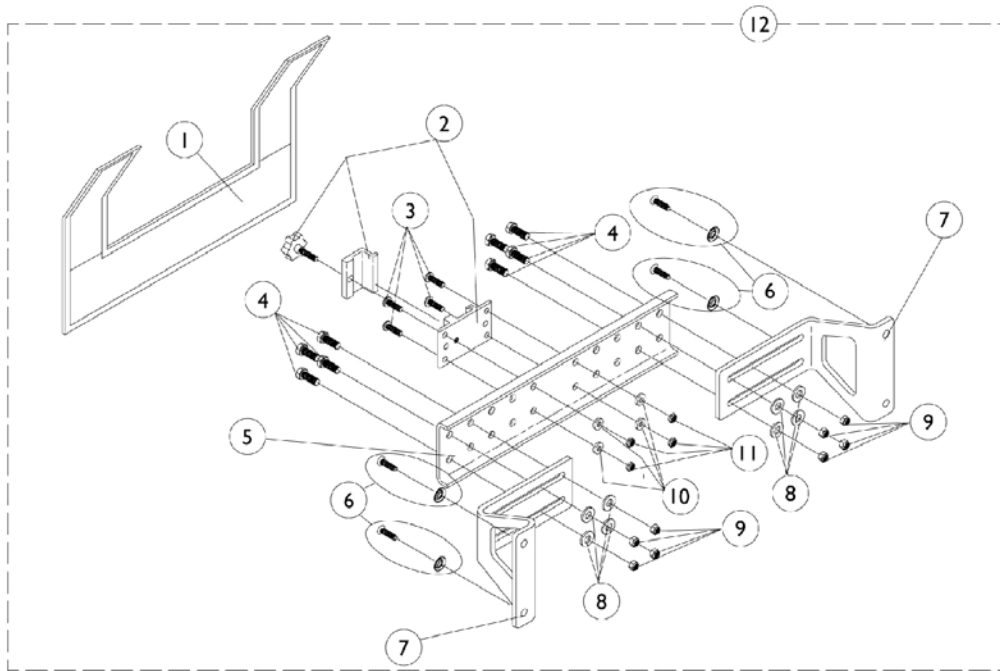
**Joystick Tube Height Adjustable
Clamp Assembly (ARM250)**

MKIV Displays

Item Number	Note	Part Number	Description	Quantity Per	
				Package	Assembly
1		1108490-NLA	NLA - Display without Switches	1	1
2		1108489	Display with Switches	1	1
3	A	1049594-NLA	NLA - Tube, Flex with Screws	1	1
4		1052041	Screw, Phillips Pan Head (#4-40 x 3/8")	1	4
5	B	1049591-NLA	NLA - Hardware, Joystick Tube Mounting	1	1
6		1027267-NLA	NLA - Half Clamp, Threaded Holes	1	1
7		1027266	Half Clamp, Non-Threaded Holes	1	1
8		1027274	Adjustment Lock Assembly, Black	1	1
9		1049582-NLA	NLA - Bracket, Joystick Mounting, Black	1	1
10		16690X004-NLA	NLA - Screw, Hex Head (1/4-20 x 1-1/8")	1	3
11	C	1093071	Clamp, Fixed Height Joystick Tube	1	1
12	F	1139422	Clamp, Height Adjustable Joystick Tube (ARM250)	1	1
13	D	1020818	Switch, Red Flex Ribbon (Tape) Reset	1	1
14	E	1123276	Kit, Switch, Black Egg Reset w/ Hook/Loop Adhesive Back Fastener & Attaching Screws (EGSBLK)	1	1

NOTE: A - Includes the Flex Tube and item 4
 B - Before 10/4/00 and includes items 6-10
 C - After 10/3/00 and can be used as a direct replacement for the Joystick Tube Mounting Hardware part number 1049591 in the field. Individual components are non-saleable
 D - Before 5/24/04
 E - After 5/23/04 the Egg Reset Switch replaced the Red Flex Ribbon (Tape) Reset Switch
 F - Introduced 10/31/05 as option (ARM250) and can be used to replace a Fixed Height Joystick Tube Clamp in the field

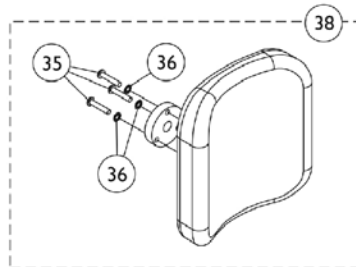
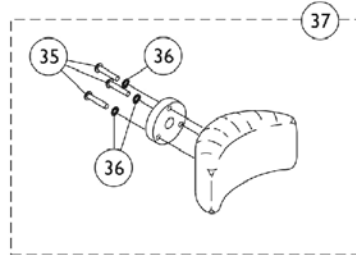
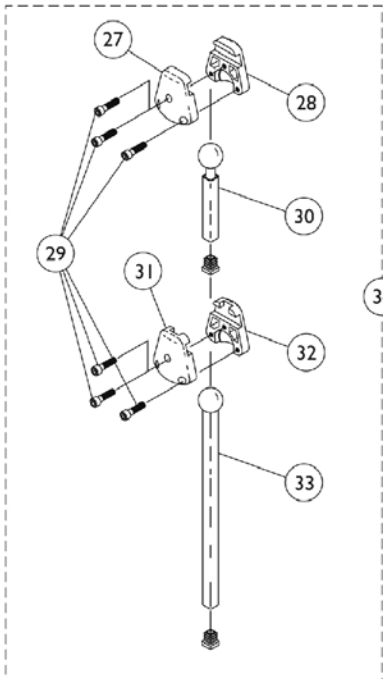
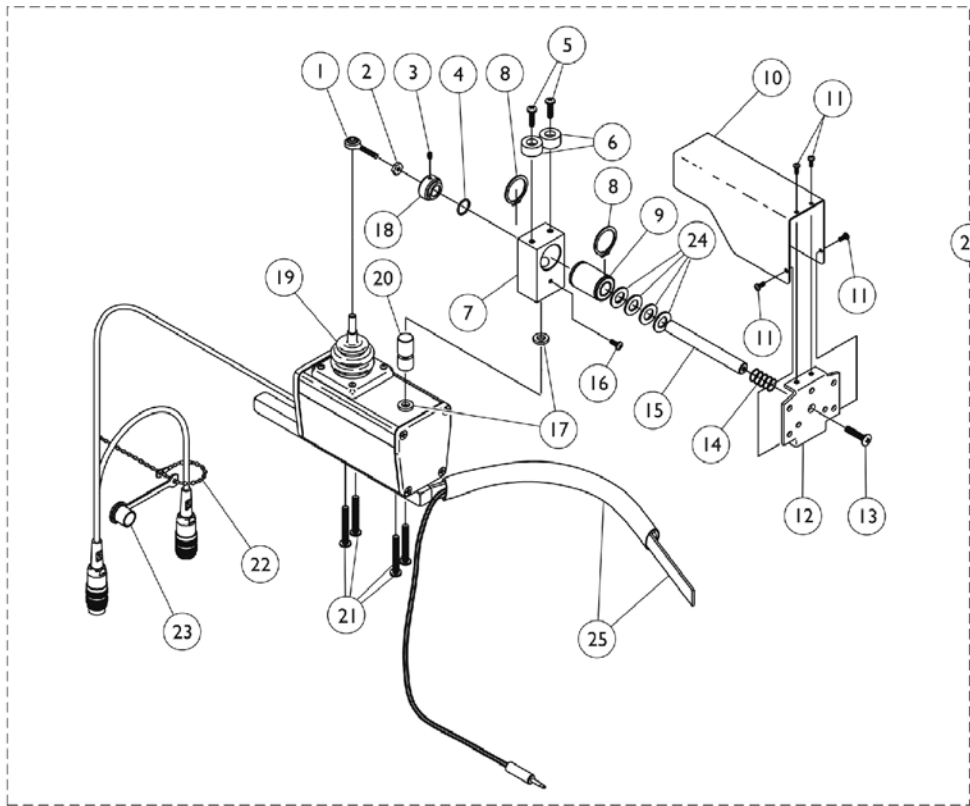
MKIV R.I.M. Head Control Mounting Hardware (1500M4)



Item Number	Note	Part Number	Description	Quantity Per	
				Package	Assembly
1	B	1055149	Cover, Nylon	1	1
1	C	1055151-NLA	NLA - Cover, Nylon	1	1
2		1055148-NLA	NLA - Clamp with Knob, Two-Piece	1	1
3		1003645	Screw, Socket Button Head (#10-32 x 3/4")	1	4
4		7930326-NLA	NLA - Package, Screw, Hex Head (1/4-20 x 3/4")	25	8
5	B	1054931-NLA	NLA - Bracket, Attaching, Black (12 - 18" W)	1	1
5	C	1054933-NLA	NLA - Bracket, Attaching, Black (19 - 24" W)	1	1
6		1031095	Screws with Washers (#10-16 x 7/8")	4	1
6		1076284	Screw w/ Washer (#10 x 7/8")	1	4
7		1054929-NLA	NLA - Bracket, Wing, Black	1	2
8		1026907	Washer (1/4 x 1/2 x 1/16")	1	8
9		7930333	Locknut (1/4-20)	25	8
10		1026034-NLA	NLA - Washer, Nylon (3/16 x 7/16 x 1/8")	1	4
11		7930332-NLA	NLA - Locknut, High Profile (#10-32)	25	4
12	B,A	1056347	Hardware, Rim Control Mounting (RIMHW) (12-18" W)	1	1
12	C,A	1056348	Hardware, Rim Control Mounting (RIMHW) (19-24" W)	1	1

NOTE: A - Includes items 1-11
 B - For 12-18" wide chairs
 C - For 19-24" wide chairs

MKIV R.I.M. Head Control Assembly (1500M4)



MKIV R.I.M. Head Control Assembly (1500M4)

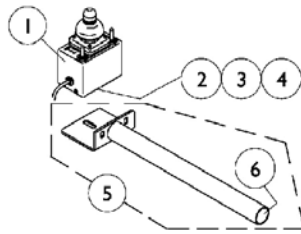
Item Number	Note	Part Number	Description	Quantity Per	
				Package	Assembly
1		1001625	Tie Rod End	1	1
2		48095X000-NLA	NLA - Locknut (#10-32)	1	1
3		1025275-NLA	NLA - Screw, Set w/ Patch (#8-32 x 1/4")	1	1
4		2001139	O-Ring (1/2" I.D.)	1	1
5		1028529	Screw, Phillips Pan Head (#8-32 x 3/8")	1	2
6		1055002-NLA	NLA - Washer, Nylon	1	2
7		1056206	Block, Pivot	1	1
8		1054939-NLA	NLA - Ring, Snap	1	2
9		1018113	Bearing, Linear	1	1
10		1055014-NLA	NLA - Shield, Push Rod	1	1
11		1021742	Screw, Phillips Pan Head (#4-40 x 1/2")	1	4
12		1055031-NLA	NLA - Bracket, Headrest Mounting, Black	1	1
13		40127X002-NLA	NLA - Screw, Phillips Oval Head (#10-32 x 3/4")	1	1
14		1055145-NLA	NLA - Spring, Compression (19/32 x 1-1/4 x 1/32")	1	1
15		1055016-NLA	NLA - Rod, Push	1	1
16		1026728-NLA	NLA - Screw, Phillips Pan Head (#6-32 x 1/4")	1	1
17		1010398	Washer, Nylon (1/4 x 1/2 x 1/16")	1	2
18		1025236-NLA	NLA - Collar, Shoulder	1	1
19		50000X364-NLA	NLA - Boot, Joystick	1	1
20		1055017-NLA	NLA - Rod, Pivot	1	1
21		11008X014-NLA	NLA - Screw, Phillips Round Head (#10-32 x 1")	1	4
22		1038256-NLA	NLA - Tie Wrap (4-1/4" L)	1	1
23		1037373-NLA	NLA - Cover, Splash	1	1
24		1003766-NLA	NLA - Washer, Plain (1/2 x 1 x 1/8")	1	4
25		1025271-NLA	NLA - Ribbon Reset Switch and Bracket Assembly	1	1
26	A	1056210E-NLA	NLA - Reconditioned - Joystick, Remote Head	1	1
27		1055023-NLA	NLA - Clamp, Horizontal Pivot	1	1
28		1055024-NLA	NLA - Clamp, Threaded, Horizontal Pivot	1	1
29		1055144-NLA	NLA - Screw, Socket Head (M6 x 1 x 25mm)	1	6
30		1055028	Tube, Slide, Square, Short	1	1
31		1055025-NLA	NLA - Clamp, Vertical Pivot	1	1
32		1055026-NLA	NLA - Clamp, Threaded, Vertical Pivot	1	1
33		1055027-NLA	NLA - Tube, Slide, Square, Long	1	1
34	B	1056213-NLA	NLA - Hardware, Adjustment	1	1
35		1005383	Screw, Socket Button Head (#10-32 x 1")	1	3
36		1027263-NLA	NLA - Washer, Lock Internal Tooth (#10)	1	3
37	C	1056211-NLA	NLA - Kit, Headrest with Hardware, Otto Bock, Small	1	1
38	D	1056212	Kit, Headrest with Hardware, Large	1	1
	E	1056087-NLA	NLA - Screw, Socket Head (#10-32 x 1/2")	1	4

MKIV R.I.M. Head Control Assembly (1500M4)

NOTE: A - Includes items 1-25.
B - Includes items 27-33 and the Plug Buttons that attach to item 30 and 33 Slide Tubes. The Plug Buttons are not saleable.
C - Includes the Headrest Adapter and items 35 and 36.
D - Includes the Headrest Adapter and items 35 and 36. The LaBac Headrest is no longer used as of 12/6/10 that was attached with Screw part # 1056087 (4 ea.). The screw is still available to order for existing LaBac Headrest in the field.
E - Used for existing LaBac Headrest in the field only.

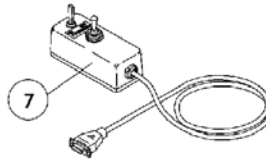
MKIV Joystick Options

REMOTE JOYSTICK



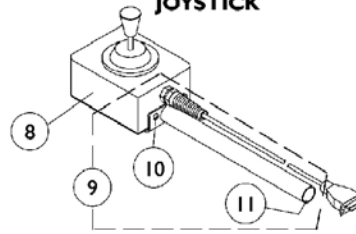
ON CHAIR: 1555M4
 OFF CHAIR: 1038634
 Used with display w/o switches
 1108490

ATTENDANT CONTROL JOYSTICK



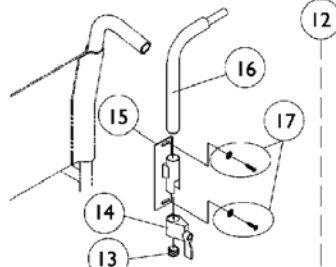
ON CHAIR: 1552M4
 OFF CHAIR: 1025590

HEAVY DUTY JOYSTICK



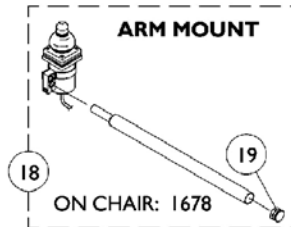
ON CHAIR: 1556M4
 OFF CHAIR: 1041544
 Used with display w/ switches
 1108489

REAR CANE MOUNT



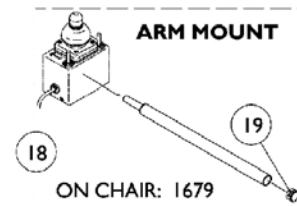
ON CHAIR: 1673

ARM MOUNT



ON CHAIR: 1678

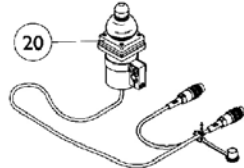
ARM MOUNT



ON CHAIR: 1679

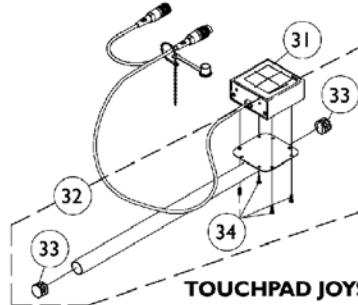
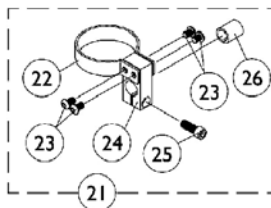
NOTE: Arm mounting tube shown above and additional arm mounting hardware are shipped when the On-Chair model number 1678 or 1679 is ordered.

DUAL/COMPACT JOYSTICK W/ MTG. HARDWARE



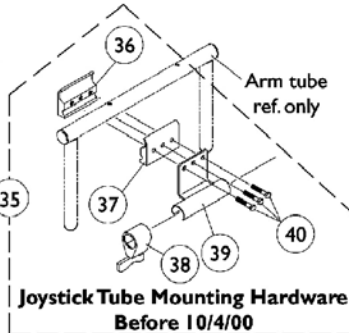
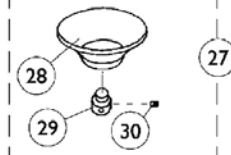
ON CHAIR: 1812M4/1558M4
 OFF CHAIR: 1038638

DUAL/COMPACT JOYSTICK MOUNTING HARDWARE



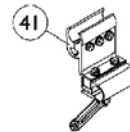
TOUCHPAD JOYSTICK

ON CHAIR: TCPDM4
 OFF CHAIR: 1091353
 Used with display w/ switches
 1108489

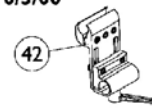


Joystick Tube Mounting Hardware
 Before 10/4/00

Reset Switch may be required.



Joystick Tube Fixed Height
 Clamp Assembly
 After 10/3/00



Joystick Tube Height Adjustable
 Clamp Assembly (ARM250)



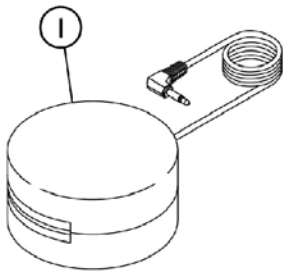
MKIV Joystick Options

Item Number	Note	Part Number	Description	Quantity Per	
				Package	Assembly
1	N	See Note	See Footnote	1	1
2		1010848-NLA	NLA - Clamp, Universal Swivel	1	1
3		12595X000	Handle, Lock, Chrome	1	1
4		15108X000	Locknut (1/4-20)	1	1
5		1044928-NLA	NLA - Joystick Tube with Plug Button Assembly	1	1
6		1027095	Plug Button, Black (7/8")	1	1
7		1025590	Joystick, Attendant Control (1552M)	1	1
8		1041544-NLA	NLA - Joystick, Heavy Duty	1	1
9	A	1052719-NLA	NLA - Kit, Straight Joystick Tube with Hardware	1	1
10		1016401-NLA	NLA - Screw, Phillips Round Head (#10-32 x 3/8")	1	3
11		1027095	Plug Button, Black (7/8")	1	1
12	B	1044917	Hardware, Rear Cane Mount (1673/RCM)	1	1
13		1027095	Plug Button, Black (7/8")	1	1
14		1027274	Adjustment Lock Assemnbly, Black	1	1
15		1025245-NLA	NLA - Bracket, Upright, Black -Right	1	1
16		1044918-NLA	NLA - Tube, Joystick	1	1
17		1076284	Screw w/ Washer (#10 x 7/8")	2	1
18	C	1052309	Tube, Arm Mount with Plug Button, Black	1	1
19		1027095	Plug Button, Black (7/8")	1	1
20		1038638-NLA	NLA - Joystick, MKIV Dual/Compact	1	1
21	D	1108012	Hardware, Dual/Compact Joystick Clamp Mounting	1	1
22		1025048	Clamp	1	1
23		1021460	Screw, Socket Button Head (#10-32 x 5/16")	1	4
24		1025045-NLA	NLA - Clamp, Mounting	1	1
25		1027089-NLA	NLA - Screw, Socket Head (#10-24 x 1/2")	1	1
26		1026273-NLA	NLA - Spacer, Split (3/8" I.D.)	1	1
27	E	60102524	Kit, Chin Cup Assembly - 1826	1	1
28		1017545	Cup, Chin	1	1
29	O	1017612-NLA	NLA - Screw, Adaptor	1	1
30		90032X000	Screw, Set Socket Cup Point (#8-32 x 1/4")	1	2
31		1091353-NLA	NLA - Touchpad, Joystick Assembly	1	1
32	F	1092604-NLA	NLA - Kit, Straight Joystick Tube with Hardware	1	1
33		1027095	Plug Button, Black (7/8")	1	2
34		1052041	Screw, Phillips Pan Head (#4-40 x 3/8")	1	4
35	G	1049591-NLA	NLA - Hardware, Joystick Tube Mounting	1	1
36		1027267-NLA	NLA - Half Clamp, Threaded Holes	1	1
37		1027266	Half Clamp, Non-Threaded Holes	1	1
38		1027274	Adjustment Lock Assemnbly, Black	1	1
39		1049582-NLA	NLA - Bracket, Joystick Mounting, Black	1	1
40		16690X004-NLA	NLA - Screw, Hex Head (1/4-20 x 1-1/8")	1	3
41	H	1093071	Clamp, Fixed Height Joystick Tube	1	1
42	I	1139422	Clamp, Height Adjustable Joystick Tube (ARM250)	1	1
43	J	1020818	Switch, Red Flex Ribbon (Tape) Reset	1	1

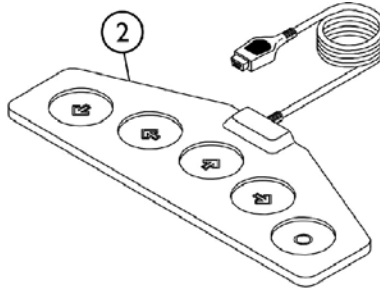
MKIV Joystick Options

Item Number	Note	Part Number	Description	Quantity Per	
				Package	Assembly
44	K	1123276	Kit, Switch, Black Egg Reset w/ Hook/Loop Adhesive Back Fastener & Attaching Screws (EGSBLK)	1	1
	L	1108489	Display with Switches	1	1
	M	1108490-NLA	NLA - Display without Switches	1	1
<p>NOTE: A - Includes the joystick tube and items 10 and 11 B - Includes items 13-17 C - For On-Chair model numbers 1678 and 1679. Includes the joystick tube and item 19 D - Includes items 22-26 E - Includes items 28-30 F - Includes the joystick tube, items 33 and 34 G - Before 10/4/00 and includes items 36-40 H - After 10/3/00. Individual components are non-saleable. Can be used as a direct replacement in the field for the Joystick Tube Mounting Hardware part number 1049591. I - Introduced 10/31/05 as option (ARM250) and can be used to replace a Fixed Height Joystick Tube Clamp in the field. Individual components are non-saleable. J - Before 5/24/04 K - After 5/23/04. The Egg Reset Switch replaced the Red Flex Ribbon (Tape) Reset Switch L - Not Shown and used with the Heavy Duty and Touch Pad Joystick M - Not Shown and used with the Remote Joystick N - No longer available as a service part in the field. O - Part #1017612 is no longer available as a service part individually. Order item #27 as a replacement.</p>					

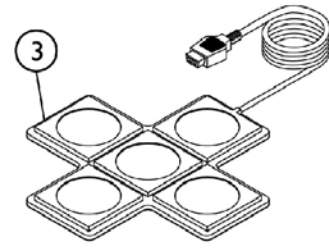
Tash and Therafin Accessories



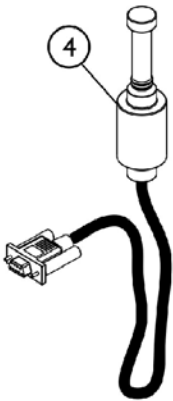
P5820 Red Soft Switch
P5821 Green Soft Switch



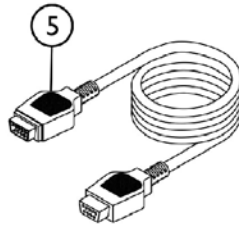
P5018 Wafer Board



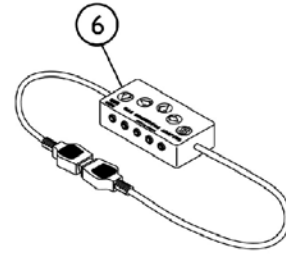
P5026 Star Control



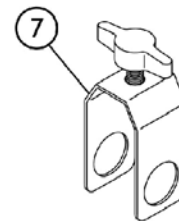
P5020 Mini Joystick with Push



P4337 Multi-Ability Cable



P4353-CA5 Multi-Connector Box



P5970 "U" Clamp

SHEP_090A

Tash and Therafin Accessories

Item Number	Note	Part Number	Description	Quantity Per	
				Package	Assembly
1		P5820-NLA	NLA - Switch, Red Soft	1	1
1		P5821	NLA - Switch, Green Soft	1	1
2	C	P5018-NLA	NLA - Wafer Board (5018)	1	1
3	C	P5026-NLA	NLA - Star Control	1	1
4	C	P5020-NLA	NLA - Mini Joystick with Push (5020)	1	1
5		P4337-NLA	NLA - Multi-Ability Cable	1	1
6		P4353-NLA	NLA - CA5 Multi-Connector Box	1	1
7		P5970-NLA	NLA - Clamp, "U"	1	1
	B	1142362	Bib Assembly (PKG32669)	1	1
	B	P21456-NLA	NLA - Adaptor Clamp - Tash	1	1
	B	P21457-NLA	NLA - Adaptor Clamp - Invacare	1	1
	B	P21460-NLA	NLA - Midline Swingway System	1	1
	A,B	1140824	Kit, Sip-N-Puff, 16" Fixed (PKG32666) Includes: (3) Air Tube Straws, (2) Saliva Traps, Tubing, Pivot Shaft/Flexible Metal Gooseneck Assembly, and Extruded Figure "8" Clamp to fit 7/8" Wheelchair Frame Tubing. Extruded Back Cane Adapter Clamp.	1	1
	B	1108489	Display with Switches	1	1
NOTE: A - See items included. B - Not Shown C - Must be used with display with switches part #1108489.					

Invacare Corporation

www.invacare.com



Yes, you can.

One Invacare Way
Elyria, Oh USA
44036-2125
800-333-6900

Technical Support
800-832-4707
Customer Service
800-333-6900

Literature Orders
800-333-6900

© 2022 Invacare Corporation. All rights reserved. Republication, duplication or modification in whole or in part is prohibited without prior written permission from Invacare. Trademarks are identified by TM and ©. All trademarks are owned by or licensed to Invacare Corporation or its subsidiaries unless otherwise noted. (Revised 05/18/22)

Form No. 06-100