

Formula™ PTO Plus
For
Pronto® M71™, M91™ & TDX®3, 4, 5
Power Wheelchairs



Yes, you can.

Parts Catalog Usage Guide

The information contained in this document is subject to change without notice. This catalog contains service parts for Form No. 04-042. If you have any questions regarding this catalog, please contact one of our Customer Service Representatives.

For Customer Service Support Call:

1-800-333-6900

For Faxed In Orders Call:

1-800-678-4682 or

1-440-366-0709

For Technical Service Call:

1-800-832-4707

Literature Can Be Found at:

www.invacare.com or

1-800-828-6272

SYMBOL DEFINITION

Throughout this catalog you will notice letters to draw your attention to specific footnotes which are located at the bottom of the page or below specified charts.

Examples:

A,B,C etc. = Special Comments

NOTE: = General information pertaining to that specific page

NLA = No Longer Available

HARDWARE MEASUREMENTS

The measurements for the hardware will be listed as follows:

Screws, Bolts Diameter X Thread Count/Pitch X Length

Washers Inside Diameter X Outside Diameter X Thickness

Spacers Inside Diameter X Outside Diameter X Length

For your convenience, we have supplied an area for you to list your Invacare Representatives.

Name	Phone Numbers

©2022 Invacare Corporation. All rights reserved. Republication, duplication or modification in whole or in part is prohibited without prior written permission from Invacare. Trademarks are identified by ™ and ®. All trademarks are owned by or licensed to Invacare Corporation or its subsidiaries unless otherwise noted.

TABLE of CONTENTS

Description	Page Number
A: READ THIS FIRST (THIS CATALOG IS DIFFERENT!)	6
Accessories - Arm Pads - Otto Bock	185
Accessories - Headrest Support Assembly - ABS and Metal Curved Backs	187
Accessories - Headrest Support Assembly w/ Double Spreader Bar - For Back Cane Only Option	189
Accessories - Lateral Support Assembly	191
Accessories - Power Wheelchair Tool Kit	197
Accessories - Seat/Chest Positioning Straps	194
Arms - Adjustable Height	82
Arms - Fixed Height	79
Arms - Mounting Swingaway Hardware	84
Arms - Mtg. Front/Rear Arm Socket Asbly. & Hdwr. - ADJASBA Seat (TDX After 7/4/05) (M71 After 8/7/05) (M91 After 10/3/05)	86
Assist Spring Assembly (User Weights of 276 Lbs. - 375 Lbs.) For Pronto M91 & TDX Only .	26
Backs - ABS Curved Assembly	49
Backs - ABS Curved Mounting Hardware	59
Backs - Contoura w/o Mtg. Hdwr. - TDX, M71 and M91 - Before 5/15/09	62
Backs - Curve Contoura Mounting Hardware - TDX, M71 and M91 - After 5/14/09	71
Backs - Curve Contoura w/o Mounting Hardware - TDX, M71 and M91 - After 5/14/09	67
Backs - Metal Curved Assembly	54
Backs - Metal Curved Mounting Hardware	61
Backs - Mtg. Hdwr. - Contoura - ADJASBA Only - TDX, M71 and M91- Before 5/15/09	65
Battery Box Hardware & Door Assembly - TDX	14

TABLE of CONTENTS

Description	Page Number
Canes - Back - Att. Hdwr. - ADJASBA Seat (TDX After 7/4/05) (M71 After 8/7/05) (M91 After 10/3/05)	47
Canes - Back - Att. Hdwr. - ASBA Seat (TDX Before 7/5/05) (M71 Before 8/8/05) (M91 Before 10/4/05)	44
Cushions - Seat - Contoura Seating - ADJASBA Only - TDX, M71 and M91	76
Electronics - 4-Way Switch & Mounting Hardware	177
Electronics - Cam Switches, Mercury Free Limit Switch & Mounting Hardware	166
Electronics - Dual Legs Integrated Actuator Module (DLIAM) MK6i For ELRPW Front Riggings	162
Electronics - MK5 SAC & Mounting Hardware	168
Electronics - MK5 TAC & Mounting Hardware	170
Electronics - MK5 TRECM & Mounting Hardware (After 2/27/06)	175
Electronics - MK5 TRECM & Mounting Hardware (Before 2/28/06)	173
Electronics - MK6i ~ PLEASE READ FIRST~	161
Electronics - Quad Link - QLA (After 10/30/05)	183
Electronics - Quad Link (Before 10/31/05)	179
Electronics - Tilt Recline Single Switch (TRSS)	164
Frame Finishes & Touchup Paint	7
Frames - Seat - ADJASBA & Seat Pan (16"-20" W x 16"-22" D) (TDX After 7/4/05) (M71 After 8/7/05) (M91 After 10/3/05)	32
Frames - Seat - ADJASBA & Seat Pan (20"-22" W x 16"-22" D) (TDX After 7/4/05) (M71 After 8/7/05) (M91 After 10/3/05)	34
Frames - Seat - ADJASBA Mounting Hardware - TDX with TRBKTS Option	42
Frames - Seat - ADJASBA Mounting Hardware (M91 After 10/3/05 User Wgt. U375)	40
Frames - Seat - ADJASBA Mounting Hardware (TDX After 7/4/05) (M71 After 8/7/05) (M91 After 10/3/05 User Wgt. U275)	38
Frames - Seat - ASBA (TDX Before 7/5/05) (M71 Before 8/8/05) (M91 Before 10/4/05)	30

TABLE of CONTENTS

Description	Page Number
Frames - Seat - ASBA Mounting Hardware (TDX Before 7/5/05) (M71 Before 8/8/05) (M91 Before 10/4/05)	36
Front Riggings - Reference Chart - (Hemi) - PH904A (M71 and M91)	92
Front Riggings - Adjustable Angle Footplate Assemblies - AT5543	118
Front Riggings - Adjustable Heel Loops	125
Front Riggings - Calf Pads & Attaching Hardware	110
Front Riggings - Center Mount Rigging (CTMT-J/CTMT-FJ/CTMT/CTMT-F/CTMT-L/CTMT-FL) (After 12/09/08)	132
Front Riggings - Ctr. Mt. Rigging (CTMT/CTMT-F/CTMT-L/CTMT-FL) (Before 12/10/08)	129
Front Riggings - Ctr. Mt. Rigging CTMTJ/CTMT-FJ (Before 12/10/08)	127
Front Riggings - Ctr. Mt. Rigging Kit CTMT-FJ, CTMT-F/CTMT-FL (TDX After 7/4/05) (M71 After 8/7/05) (M91 After 10/3/05) thru 12/09/08	149
Front Riggings - Ctr. Mt. Rigging Kit CTMTJ, CTMT/CTMT-L (TDX Before 7/5/05) (M71 Before 8/8/05) (M91 Before 10/4/05)	144
Front Riggings - Ctr. Mt. Rigging Mtg. Hdwr. (CTMT/CTMT-L/CTMTJ) (TDX Before 7/5/05) (M71 Before 8/8/05) (M91 Before 10/4/05)	140
Front Riggings - Ctr. Mt. Rigging Mtg. Hdwr. (CTMT-F/CTMT-FL/CTMT-FJ) (TDX After 7/4/05) (M71 After 8/7/05) (M91 After 10/3/05)	142
Front Riggings - Footrest & Legrest Accessories	121
Front Riggings - Footrest Supports - (Hemi) - PHW93	100
Front Riggings - Footrest Supports - 70NHD, 70STAPER (TDX)	98
Front Riggings - Front Rigging Hgr. Asbly. - ASBA Seat (TDX Before 7/5/05) (M71 Before 8/8/05) (M91 Before 10/4/05)	94
Front Riggings - Front Rigging Hgr. Hdwr. - ADJASBA Seat (TDX After 7/4/05) (M71 After 8/7/05) (M91 After 10/3/05)	96
Front Riggings - Legrest Supports - AT5544 (TDX)	102
Front Riggings - Legrest Supports, (Hemi) - PH904A (M71 and M91)	104
Front Riggings - Legrest Supports, Articulating (Hemi) - PHAL4A	107
Front Riggings - Pivot Tube w/ Footplate Assemblies - 1650, 1350, 1450 - PH904A & PHAL4A	116

TABLE of CONTENTS

Description	Page Number
Front Riggings - Pivot Tube w/ Footplate Assemblies - 1650, 1350, 1450 - PHW93, 70NHD, AT5544	114
Front Riggings - Pivot Tube w/ Footplate Assemblies - 1651 Composite	112
Front Riggings - Power Articulating Legrest - ELRPW/ELRPW22	154
Front Riggings - Power Articulating Legrest - ELRPW/ELRPW22 Harness & Hdwr. - ADJASBA Seat (After 7/4/05)	159
Front Riggings - Power Articulating Legrest - ELRPW/ELRPW22 Harness & Hdwr. - ASBA Seat (Before 7/5/05)	157
Front Riggings - Reference Chart - (Hemi) - PHAL4A	91
Front Riggings - Reference Chart - (Hemi) - PHW93 (M71 and M91)	89
Front Riggings - Reference Chart - (Hemi) - PHW93, 70NHD, AT5544 (TDX)	88
Front Riggings - Reference Chart - 70STAPER (TDX)	93
Label Locations For TRBKTS Option (TDX Only)	12
Packaging & Literature - M71 and M91	8
Packaging & Literature - TDX	10
Prop Rod Assembly	28
Seat Pan & Mounting Hardware - ASBA Seat (TDX Before 7/5/05) (M71 Before 8/8/05) (M91 Before 10/4/05)	73
Tilt Actuator Motor, Motor Cover & Mounting Hardware	24
Tilt Assembly - Mounting Hardware - M71	18
Tilt Assembly - Mounting Hardware - M91	20
Tilt Assembly - Mounting Hardware - TDX	22
Tilt Assembly - Without Tilt Actuator Motor	16
TRBKTS Option Clarification Reference (TDX Only)	13

A: READ THIS FIRST (THIS CATALOG IS DIFFERENT!)

Formula PTO Plus
parts catalog information is now divided into two separate catalogs.

The Form Numbers and Cover Titles are listed below.

Form # 04-042
Formula PTO Plus
for Pronto M7I, M9I & TDX3, 4, 5
Powered Wheelchairs

Form # 06-110
MK6i Electronics
(MK6i was introduced on or about 10/9/06)

Use both form numbers to order a “complete” Parts Catalog

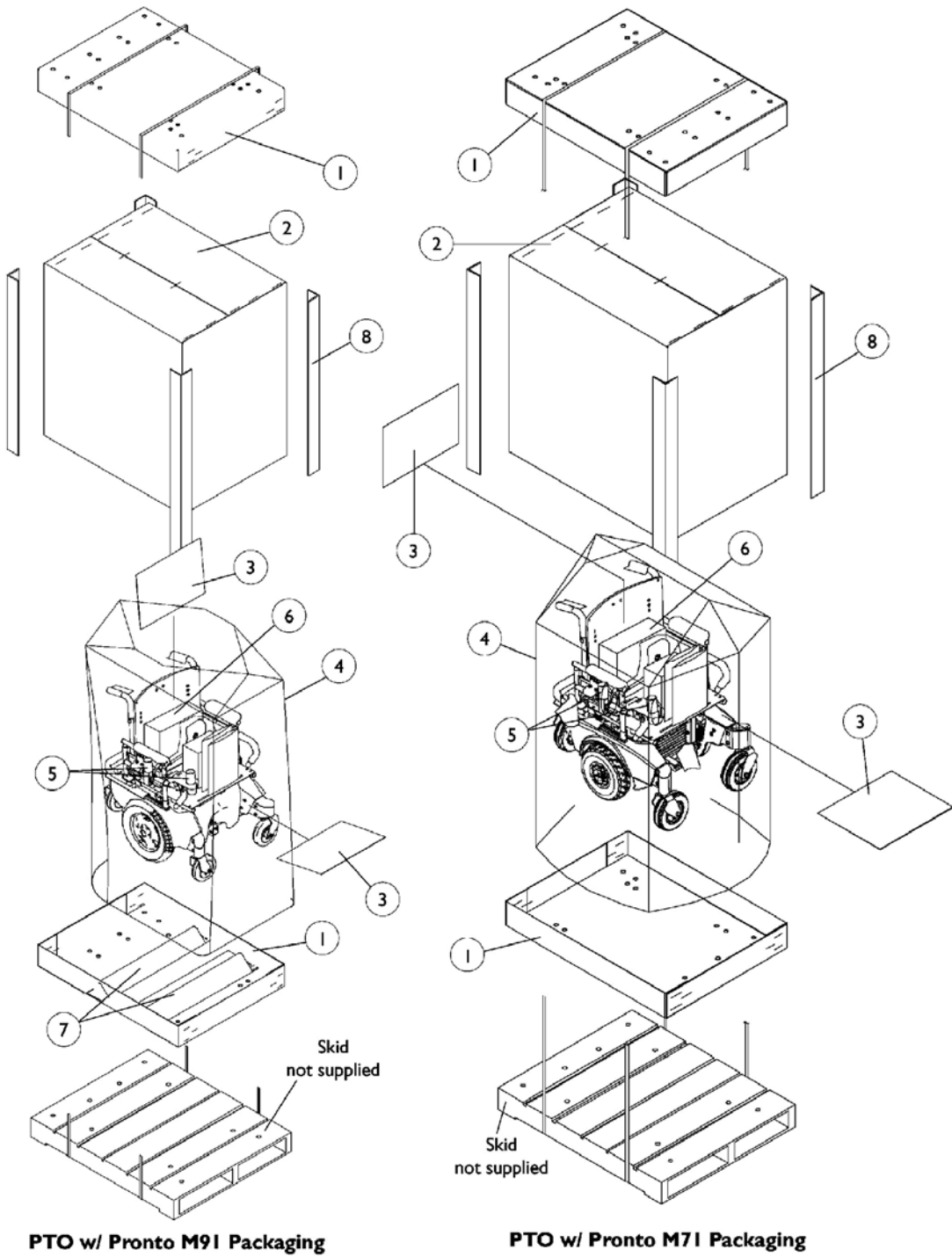
Frame Finishes & Touchup Paint

Frame Finishes and Touch-Up Paint For Front Riggings

Color Number	Part Number	Bottle Size	Color
08P	1031456-NLA	.6 oz	Deep Purple
17P	1046319-NLA	.6 oz	Cobalt Blue
22P	1033376-NLA	.6 oz	Anthracite
24P	1031450-NLA	.6 oz	Wet Black
30P	N/A	N/A	Sunny Yellow
33P	1031455-NLA	.6 oz	Red
34P	1046327-NLA	.6 oz	Flat Black
60P	N/A	N/A	Silver Metallic
61P	1046321-NLA	.6 oz	Electric Red
62P	1046320-NLA	.6 oz	Electric Blue
66P	1046322-NLA	.6 oz	Electric Purple
69P	1101320-NLA	.6 oz	Teflon Black
71P	N/A	N/A	Silver Vein
84P	1073896-NLA	.6 oz	Lavender
88P	N/A	N/A	Wet Black with Twilight Sparkle
101P	1101325-NLA	.6 oz	Jeweled Green
102P	1101327-NLA	.6 oz	Denim Blue
104P	1101316-NLA	.6 oz	Electric Teal
105P	1101326-NLA	.6 oz	Midnight Blue
115P	N/A	N/A	Black Prism
116P	N/A	N/A	SunKissed Orange
117P	N/A	N/A	Tangerine Red
118P	N/A	N/A	Fruit Fusion
119P	N/A	N/A	Bubblegum Pink
120P	N/A	N/A	Grape Madness
121P	N/A	N/A	Lolly Pop Blue
122P	N/A	N/A	Cosmic Blue
123P	N/A	N/A	Celestial Purple
124P	N/A	N/A	Vivid Violet
125P	N/A	N/A	Emerald Green
126P	N/A	N/A	Shamrock Green
127P	N/A	N/A	Grasshopper Green

Packaging and Literature

For M71 and M91



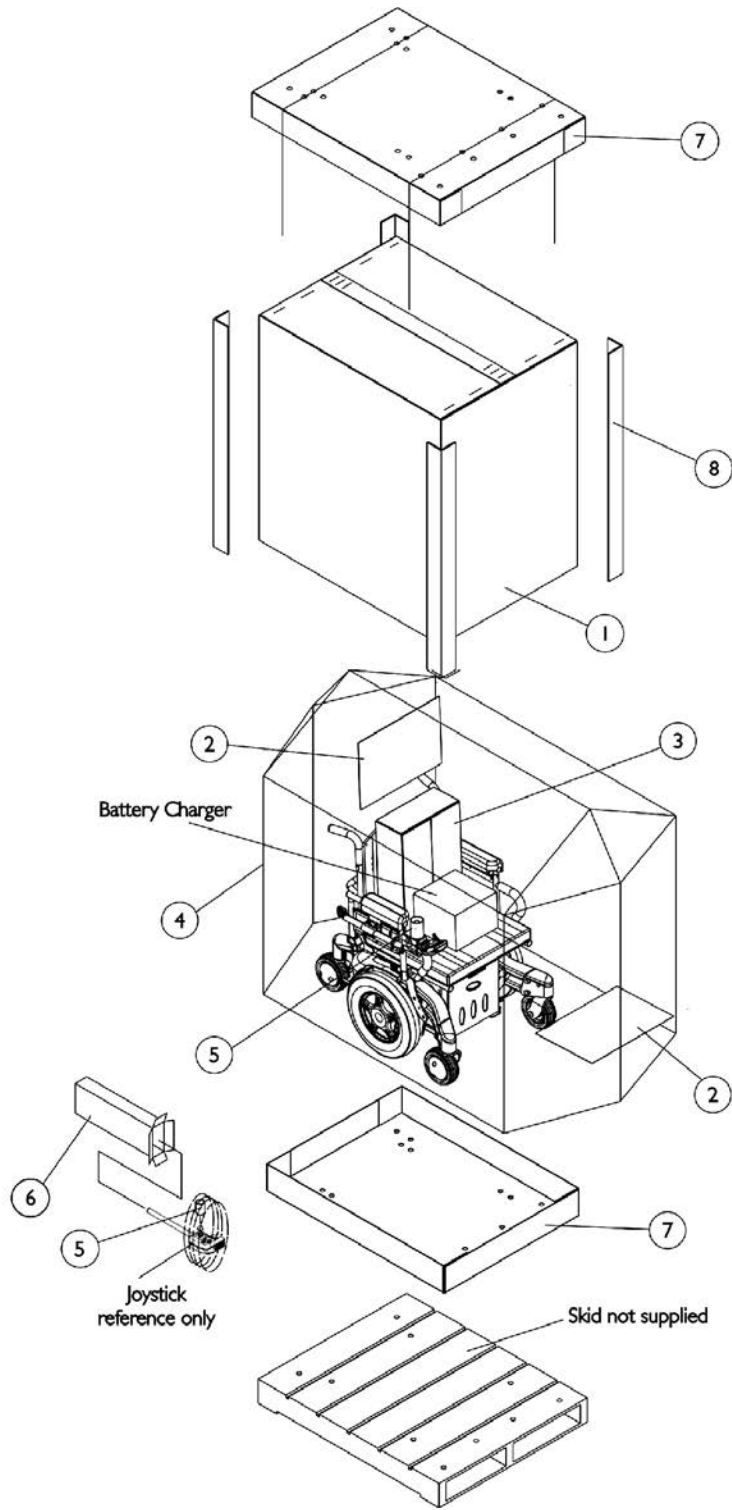
Packaging and Literature For M71 and M91

Item Number	Note	Part Number	Description	Quantity Per	
				Package	Assembly
1		1030362	Carton, Tray	1	2
2		1031682	Carton, Cover	1	1
3		40131X161	Insert, Plain Pad	1	2
4		1015592	Bag, Poly (72" L x 35" W x 19" D)	1	1
5		1043198-NLA	NLA - Tube, Paper	1	2
6		40131X011-NLA	NLA - Carton, Front Riggings	1	1
7		1116612-NLA	NLA - Chock, Wheel	1	2
8		1129589-NLA	Carton, Corner Reinforcement	1	4
	A	1106631	Owner's Manual, Pronto M71	1	1
	A	1110560	Owner's Manual, Pronto M91	1	1
	B	1164348	Mailer, Return, Mercury Free	1	1

NOTE: A - Not Shown
B - For Massachusetts providers only.

When adjusting or replacing parts, please refer to your Owner's Manual for assistance.

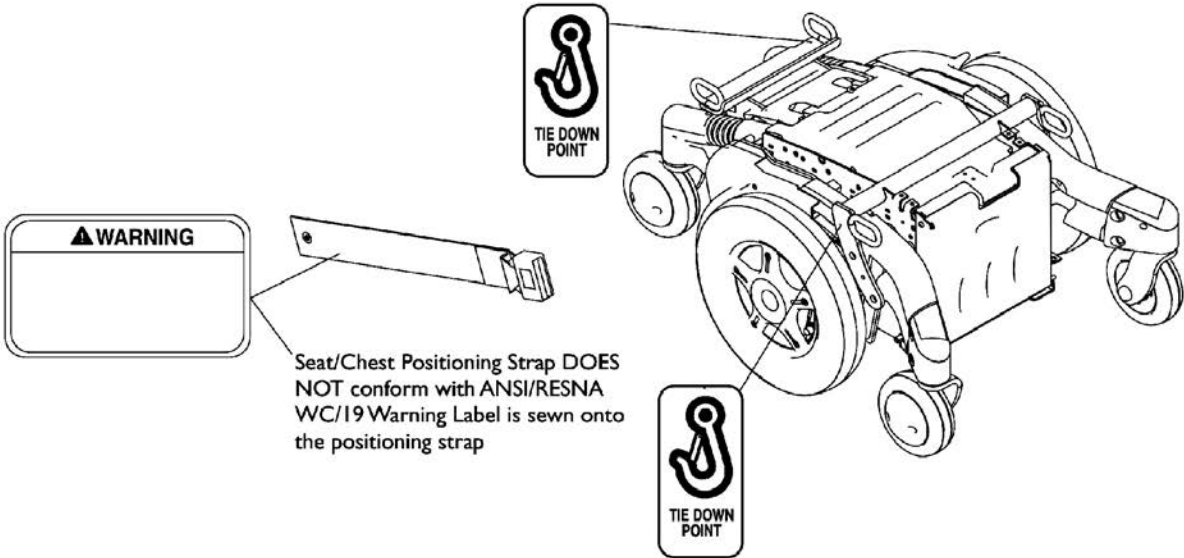
Packaging and Literature For TDX



Packaging and Literature For TDX

Item Number	Note	Part Number	Description	Quantity Per	
				Package	Assembly
1	A	1030364	Carton, Cover	1	1
1	B	1036028	Carton, Cover	1	1
2		40131X161	Insert, Plain Pad	1	2
3		40131X011-NLA	NLA - Carton, Front Riggings	1	1
4		1015592	Bag, Poly (72" L x 35" W x 19" D)	1	1
5		1043198-NLA	NLA - Tube, Paper	1	1
6	E	1012001-NLA	NLA - Carton, Joystick	1	1
7	A	1030362	Carton, Tray	1	2
7	B	1036027	Carton, Tray	1	2
8		1115174	Carton, Corner Reinforcement	1	4
	C	00077X031-NLA	NLA - Warranty Card	1	1
	C	1114809-NLA	NLA - Owner's Manual, TDX w/ MK5 Electronics	1	1
	C	See Chart	See Chart	1	1
	D	1164348	Mailer, Return, Mercury Free	1	1
<p>NOTE: A - 16" wide - 20" wide models B - 21" wide - 22" wide models C - Not Shown D - For Massachusetts providers only E - Order part #40131X011 to use as a replacement Joystick Carton also.</p> <p>When adjusting or replacing parts, please refer to your Owner's Manual for assistance.</p>					

Label Locations For TRBKTS Option (TDX Only)



TRBKTS Option Label Locations

TRBKTS Option Clarification Reference (TDX Only)

TRBKTS Option was introduced 12/19/05 as an On-Chair option only for Storm Series TDX models.

About TRBKTS Transport Ready Package

TRBKTS includes four factory-installed wheelchair transport brackets. **TRBKTS** has not been crash-tested in accordance with WC 19. Use these transport brackets only to secure an unoccupied wheelchair during transport.

Only use the transport brackets included with **TRBKTS** for the purpose described in the appropriate Owner's Operator and Maintenance Manual.

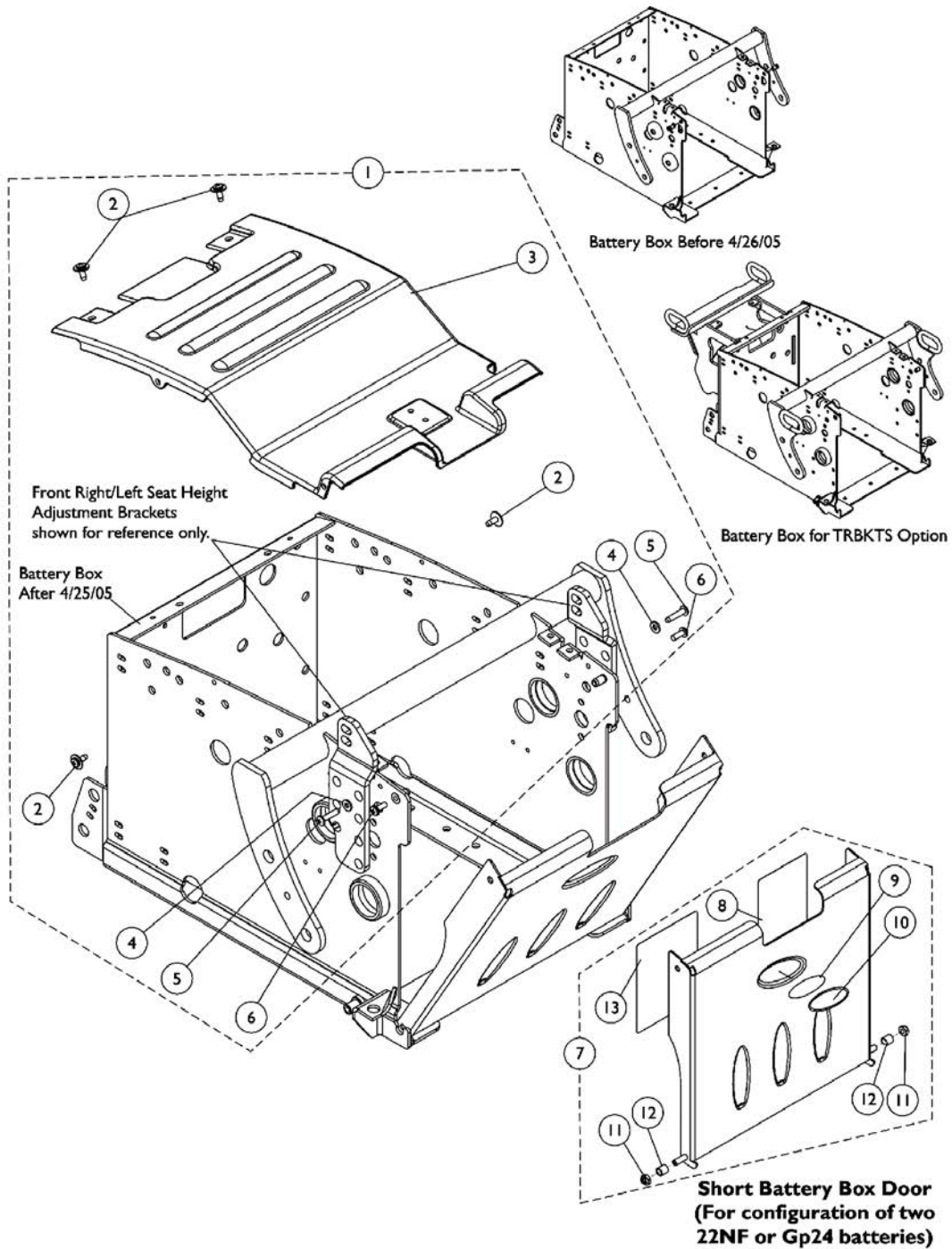
Battery support brackets **MUST** be installed at all times. Otherwise, the wheelchair will not be WC/19 compliant. Refer to Removing/Installing the Batteries From/Into the Wheelchair in the appropriate Owner's Operator and Maintenance Manual.

As of this date, the Department of Transportation has not approved any tie-down systems for transportation of a user while in a wheelchair, in a moving vehicle of any type. It is Invacare's position that users of wheelchairs should be transferred into appropriate seating in vehicles for transportation and use be made of the restraints made available by the auto industry. Invacare cannot and does not recommend any wheelchair transportation systems.

NOTE: ANSI = American National Standards Institute, RESNA = Rehabilitation Engineering and Assistive Technology Society of North America.

Battery Box Hardware and Door Assembly For TDX

The Battery Boxes are non-serviceable parts in the field. Wheelchair must be returned to Invacare for repair. Call Technical Services for assistance (1-800-832-4707)



Battery Box Hardware and Door Assembly For TDX

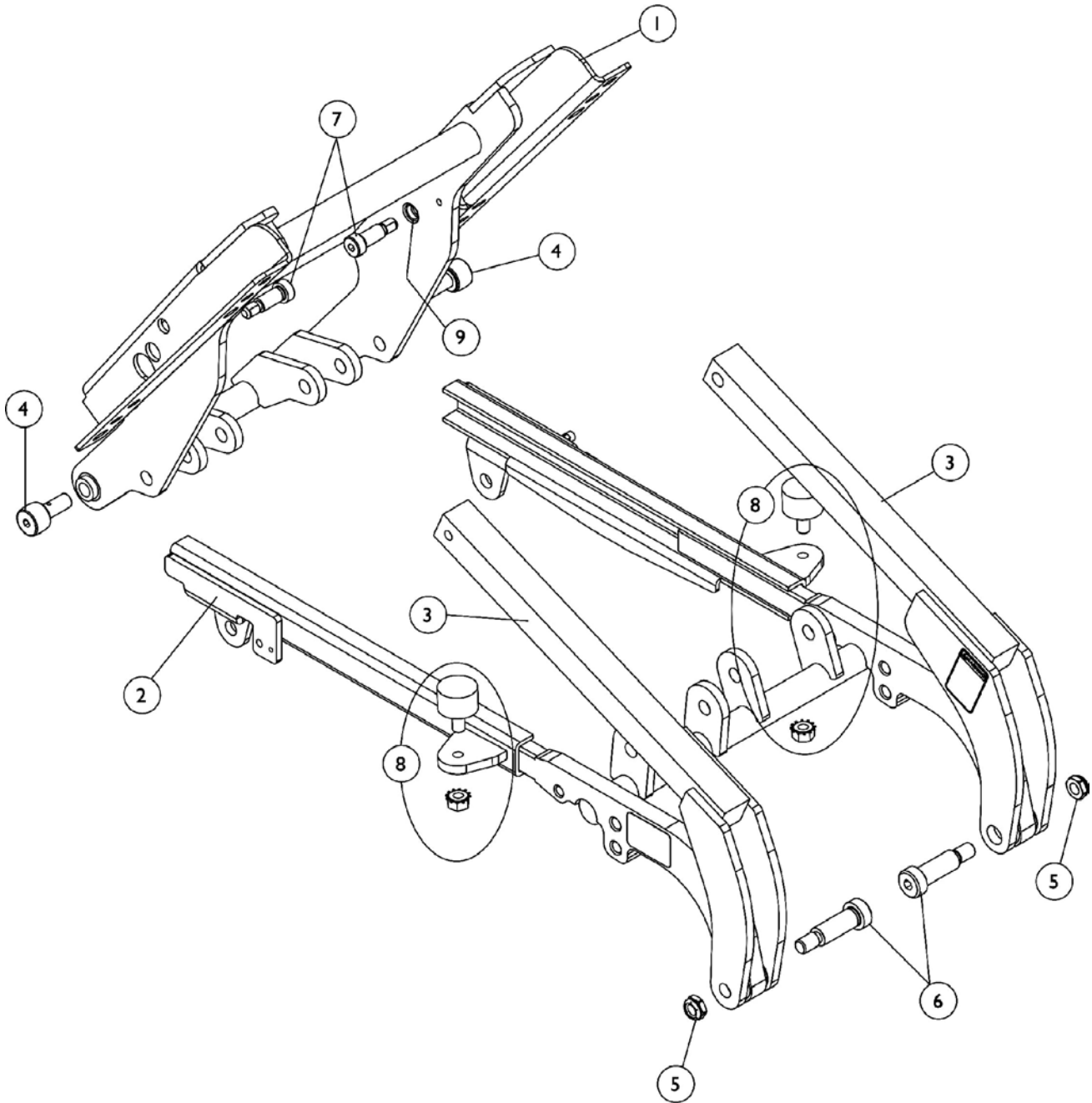
The Battery Boxes are non-serviceable parts in the field. Wheelchair must be returned to Invacare for repair. Call Technical Services for assistance (1-800-832-4707)

Item Number	Note	Part Number	Description	Quantity Per	
				Package	Assembly
1	A	1133030	NLA - Kit, Battery Box Hardware For PTO Plus	1	1
2			Screw, Phillips Pan Head Tap (#10-32 x 1/2")	1	4
3			NLA - Cover, Battery Box Shroud	1	1
4			Washer, Steel (3/16 x 7/16 x 1/16")	1	2
5			NLA - Screw, Phillips Pan Head (#10-32 x 7/8")	1	2
6			NLA - 3Screw, Socket Head (#10-32 x 1/2")	1	2
7	B,C,D	1113357	NLA - Kit, Battery Box Door Assembly, 22NF Short	1	1
8			NLA - Label, 22NF Terminal Configuration Warning	1	1
9			NLA - Decal, Blank Logo	1	1
10			NLA - Decal, Invacare Medallion - Large	1	1
11			Locknut (1/4-20)	1	2
12			NLA - Sleeve, Door Pivot	1	2
13			NLA - Label, 22NF Battery Install/Remove	1	1
7	B,C	1113127-NLA	NLA - Kit, Battery Box Door Assembly, GP24 Short	1	1
8			NLA - Label, Terminal Configuration Warning, GP24	1	1
9			NLA - Decal, Blank Logo	1	1
10			NLA - Decal, Invacare Medallion - Large	1	1
11			Locknut (1/4-20)	1	2
12			NLA - Sleeve, Door Pivot	1	2
13			Label, Battery Install/Remove, GP24	1	1

NOTE: A - Includes items 2-6
 B - Includes items 8-13
 C - Blank Logo Decal is no longer available and no longer required for item number 10 Invacare Medallion Decal.
 D - Item is no longer available from the Invacare Service Parts Department. Refer to the Invacare Website under "Product Literature Search". Enter the part number in the "Keywords" field and download a free PDF version copy.

Tilt Assembly without Tilt Actuator Motor

For tilt actuator motor, see page titled "Tilt Actuator and Mounting Hardware"

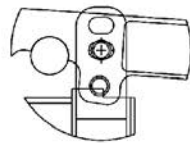
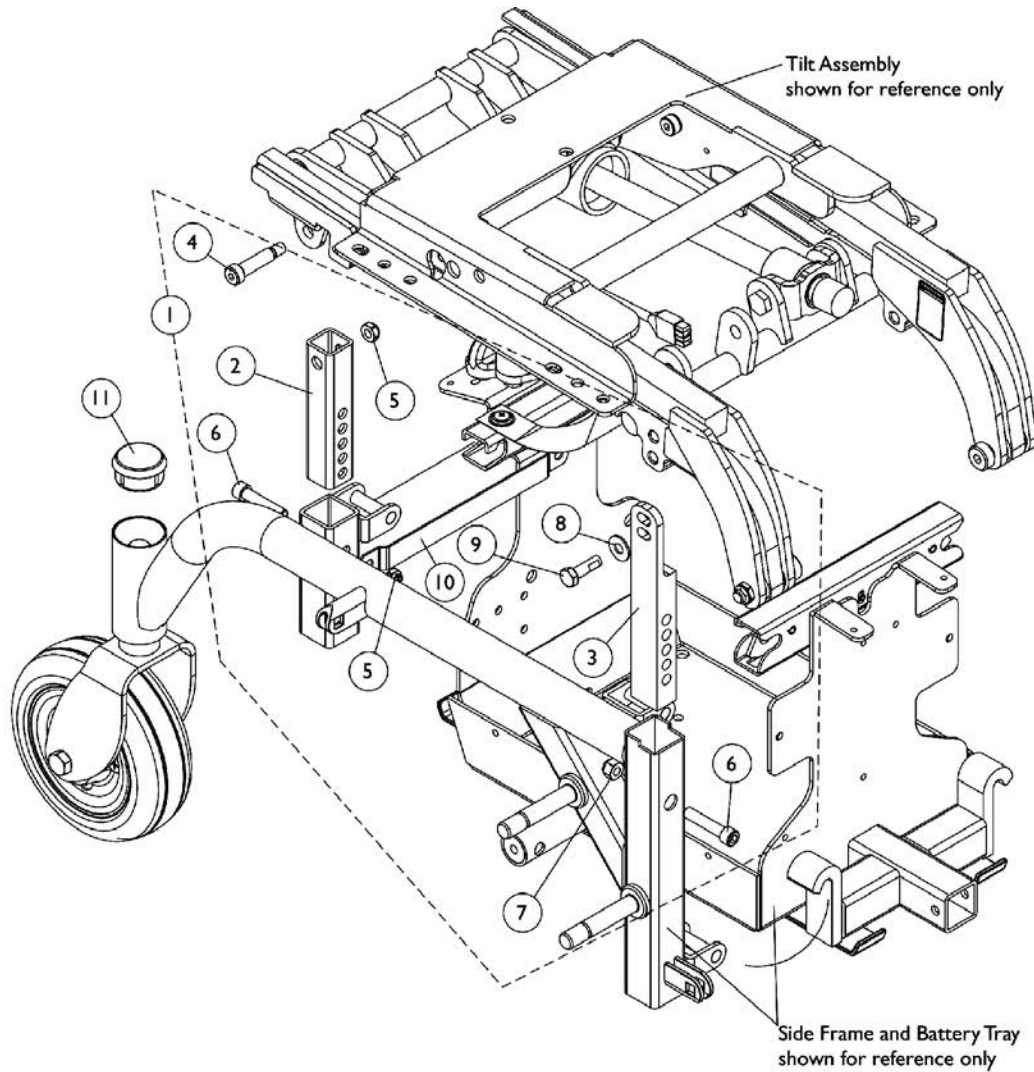


Tilt Assembly without Tilt Actuator Motor

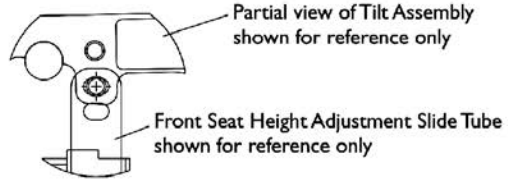
For tilt actuator motor, see page titled "Tilt Actuator and Mounting Hardware"

Item Number	Note	Part Number	Description	Quantity Per	
				Package	Assembly
1		1124298	Support, Seat Frame, Pivot Link	1	1
2		1124286	Support, Stationary Link	1	1
3		1124290	Front Pivot Assembly - Right	1	1
3		1124291	Front Pivot Assembly - Left	1	1
4		1120175	Roller, Cam	1	2
5		1028486	Locknut, Low Profile (3/8-16)	1	2
6		1125379-NLA	NLA - Screw, Shoulder Hex Socket Head (1/2 x 1-1/4", 3/8-16)	1	2
7		1126163-NLA	NLA - Screw, Shoulder Hex Socket Head w/ Patch (3/8" x 3/4", 5/16-18)	1	2
8		1128384-NLA	NLA - Kit, Bumper Assembly Includes: 2 ea. Nut, Hex Keps (5/16-18) 2 ea. Bumper, Rubber	2	1
9		1106189-NLA	NLA - Bearing, Flange	1	2

Tilt Assembly Mounting Hardware For M71



0-55 Degree Tilt Setting



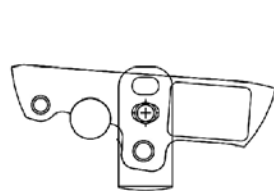
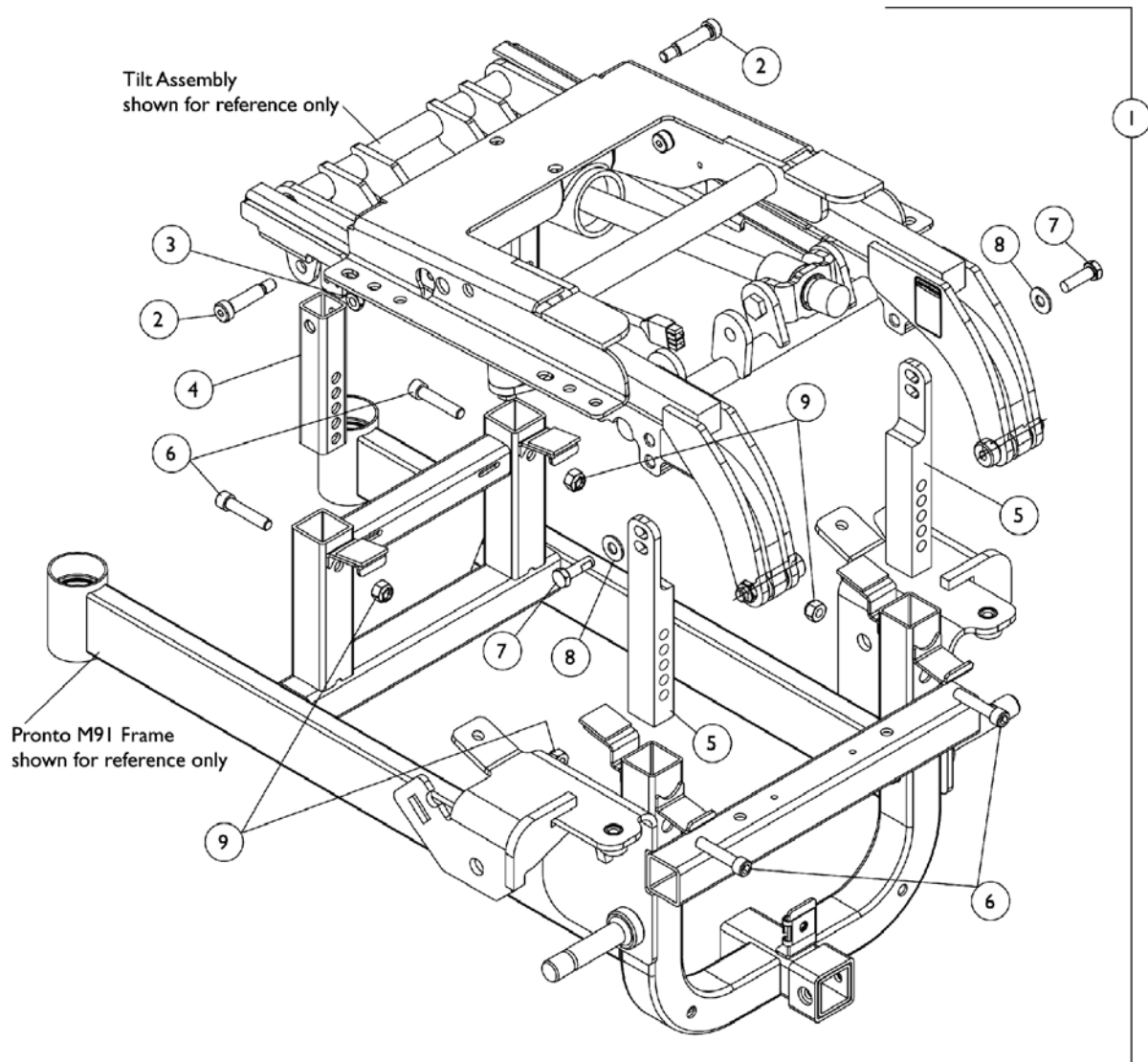
5-60 Degree Tilt Setting

Seat Tilt Settings

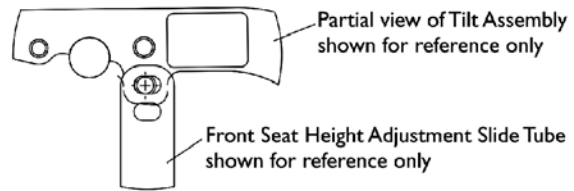
Tilt Assembly Mounting Hardware For M71

Item Number	Note	Part Number	Description	Quantity Per	
				Package	Assembly
1	A	1128390-NLA	Kit, Tilt Assembly Mounting Hardware For M71	2	1
2			NLA - Tube, Slide, Seat Height Adjustment, Rear	1	2
3			NLA - Tube, Slide, Seat Height Adjustment, Front	1	2
4			NLA - Screw, Shoulder Hex Socket Head (3/8 x 1-1/4", 5/16-18)	1	2
5			Locknut (5/16-18)	1	4
6			Screw, Socket Head (5/16-18 x 1-1/2")	1	4
7			Locknut (5/16-18)	1	2
8			Washer, Steel (5/16 x 3/4 x 1/16")	1	2
9			NLA - Screw, Hex Head w/ Patch (5/16-18 x 1")	1	2
10			NLA - Bracket, Retaining, Black	1	1
11		1105026	Plug Button, Head Tube, Black	1	2
NOTE: A - Includes items 2-10. Item 10 Retaining Bracket was added 3/18/05 and is backward compatible for chairs manufactured before 3/18/05 as well.					

Tilt Assembly Mounting Hardware For M91



0-55 Degree Tilt Setting



5-60 Degree Tilt Setting

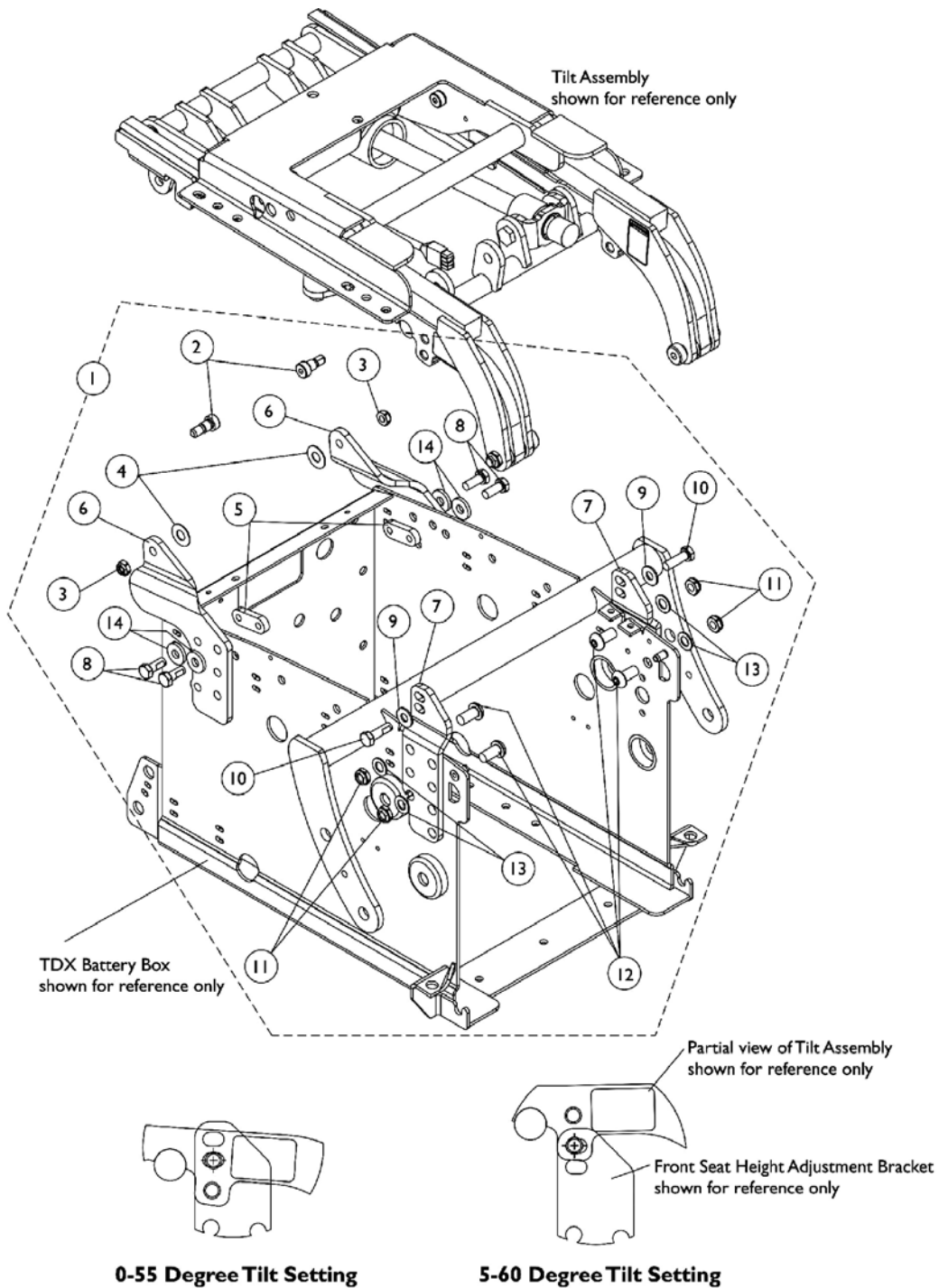
Seat Tilt Settings

Tilt Assembly Mounting Hardware For M91

Item Number	Note	Part Number	Description	Quantity Per	
				Package	Assembly
1	A	1126351-NLA	NLA - Kit, Tilt Assembly Mounting Hardware For M91	1	1
2			NLA - Screw, Shoulder Hex Socket Head (3/8 x 1-1/4", 5/16-18)	1	2
3			Locknut (5/16-18)	1	2
4			NLA - Tube, Slide, Seat Height Adjustment, Rear	1	2
5			NLA - Tube, Slide, Seat Height Adjustment, Front	1	2
6			Screw, Socket Head (5/16-18 x 1-1/2")	1	4
7			NLA - Screw, Hex Head w/ Patch (5/16-18 x 1")	1	2
8			Washer, Steel (5/16 x 3/4 x 1/16")	1	2
9			Locknut (5/16-18)	1	4

NOTE: A - Includes items 2-9

Tilt Assembly Mounting Hardware For TDX



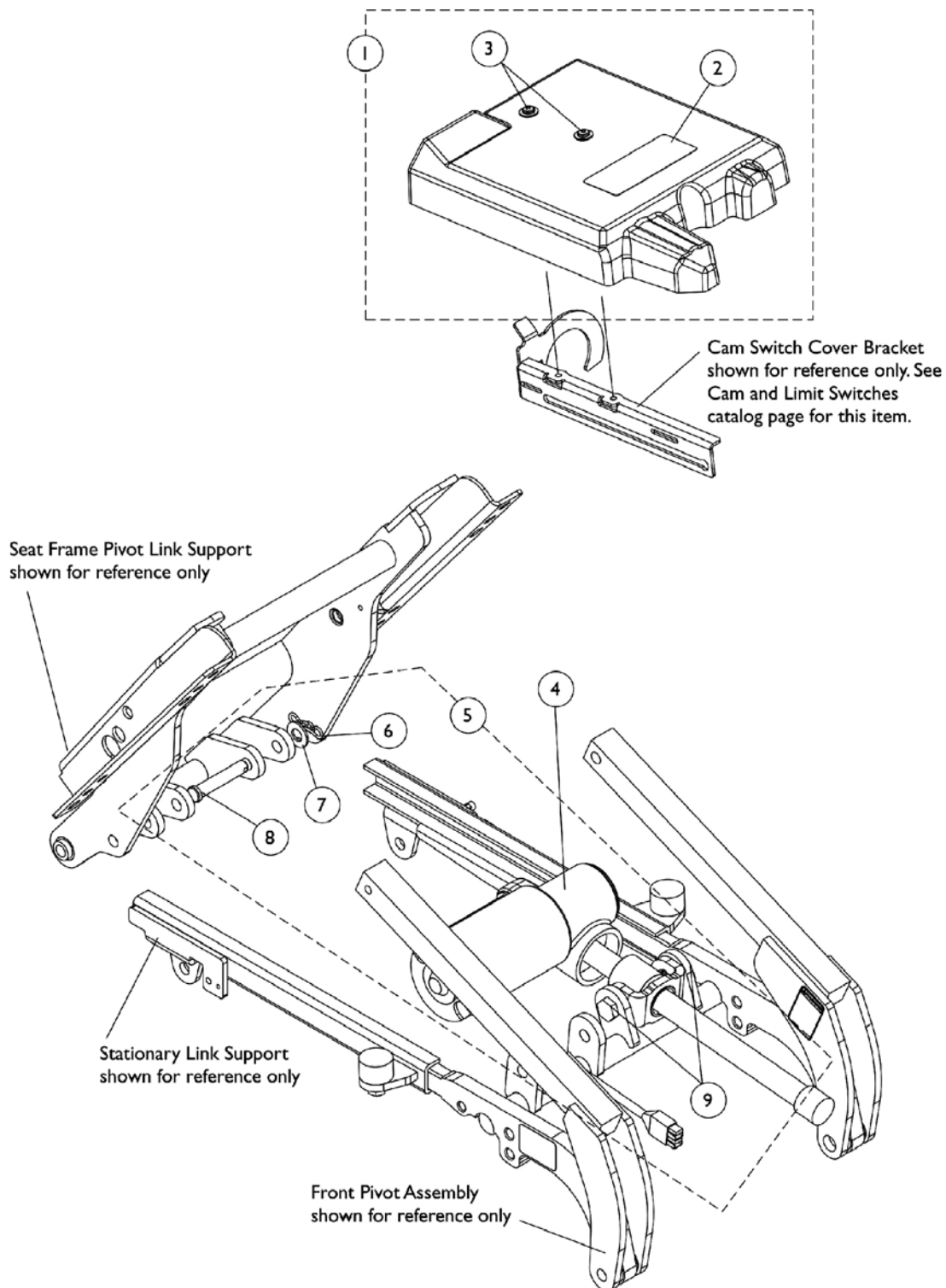
Seat Tilt Settings

Tilt Assembly Mounting Hardware For TDX

Item Number	Note	Part Number	Description	Quantity Per	
				Package	Assembly
1	A	1126352-NLA	NLA - Kit, Tilt Assembly Mounting Hardware For TDX	1	1
2			Screw, Shoulder Hex Socket Head w/ Patch (3/8" x 3/8", 5/16-18)	1	2
3			Locknut (5/16-18)	1	2
4			NLA - Washer, Nylon (25/64 x 7/8 x 1/32")	1	2
5			NLA - Nut, Strap	1	2
6			NLA - Bracket, Seat Height Adjustment Rear, Black - Right	1	1
6			NLA - Bracket, Seat Height Adjustment Rear, Black - Left	1	1
7			NLA - Bracket, Seat Height Adjustment Front - Right	1	1
7			NLA - Bracket, Seat Height Adjustment Front, Black - Left	1	1
8			Screw, Hex Head w/ Patch (5/16-18 x 3/4")	1	4
9			Washer, Steel (5/16 x 3/4 x 1/16")	1	2
10			NLA - Screw, Hex Head w/ Patch (5/16-18 x 1")	1	2
11			Locknut, Low Profile (3/8-16)	1	4
12			NLA - Screw, Socket Button Head (3/8-16 x 3/4")	1	4
13			Washer, Flat (3/8 x 11/16 x 1/16")	1	4
14			Washer, Flat (21/64 x 53/64 x 7/64")	1	4

NOTE: A - Includes items 2-14

Tilt Actuator Motor, Motor Cover and Mounting Hardware



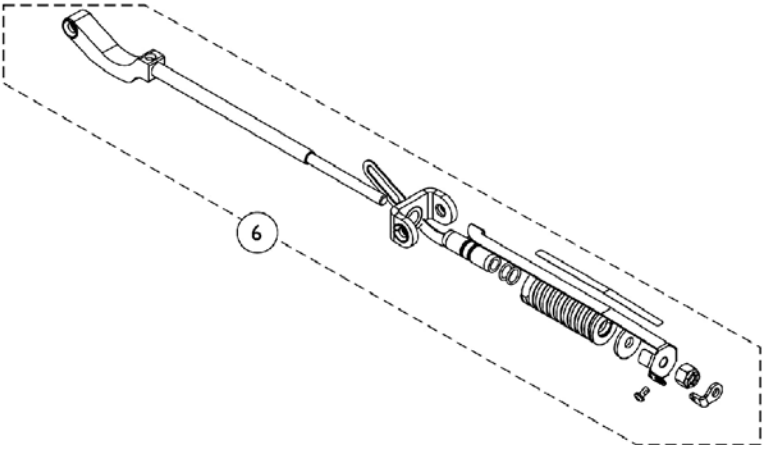
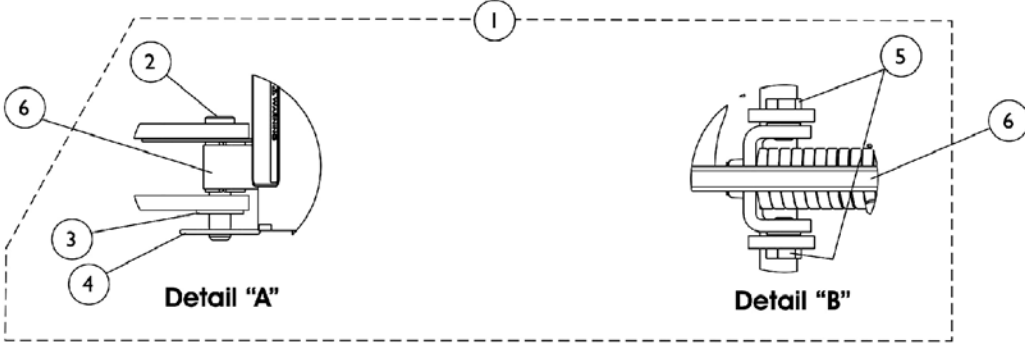
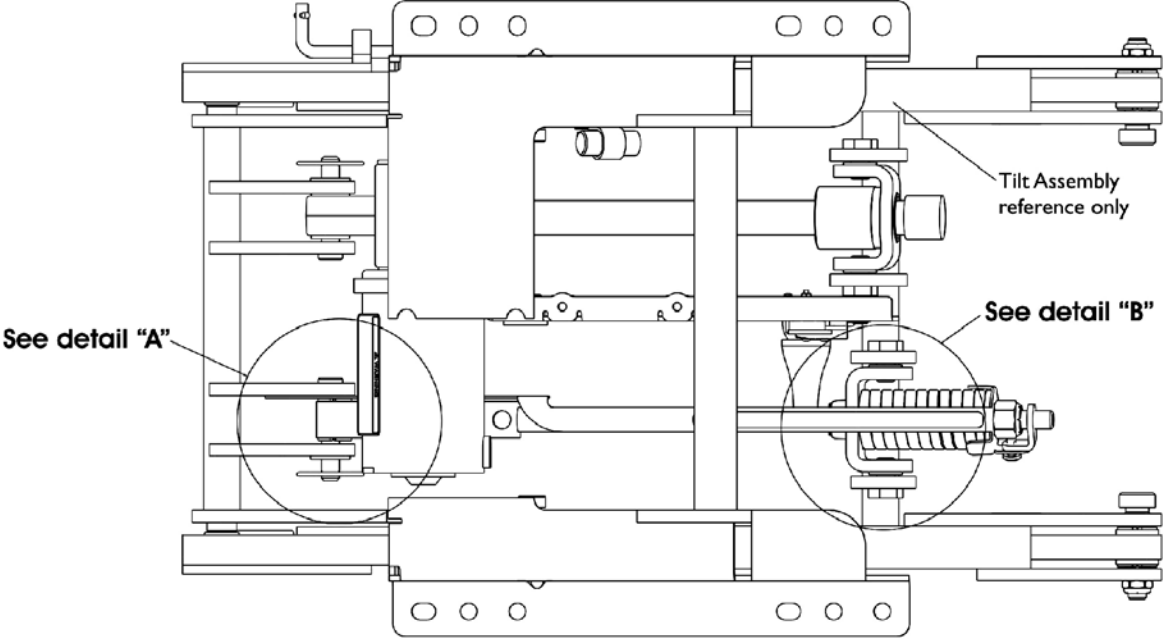
Tilt Actuator Motor, Motor Cover and Mounting Hardware

Item Number	Note	Part Number	Description	Quantity Per	
				Package	Assembly
1	A	1126579-NLA	NLA - Kit, Tilt Actuator Motor Cover Assembly	1	1
2			NLA - Decal, Warning	1	1
3			Screw, Phillips Pan Head Tap (#10-32 x 1/2")	1	2
4	B	1126578	Tilt Actuator Motor Assembly	1	1
5		1128383-NLA	NLA - Kit, Tilt Actuator Motor Assembly Mounting Hardware	1	1
6		NLA - Cotter, Locking Bow-Tie (1/4" Shaft)	1	1	
7		Washer, Flat (3/8")	1	1	
8		NLA - Pin, Clevis (3/8 x 2")	1	1	
9		NLA - Pin, Threaded Pivot	1	2	

NOTE: A - Includes Motor cover and items 2-3
 B - Includes items 6-9

Assist Spring Assembly (For Pronto M91 & TDX Only)

For User Weights Of 276 Lbs. - 375 Lbs.

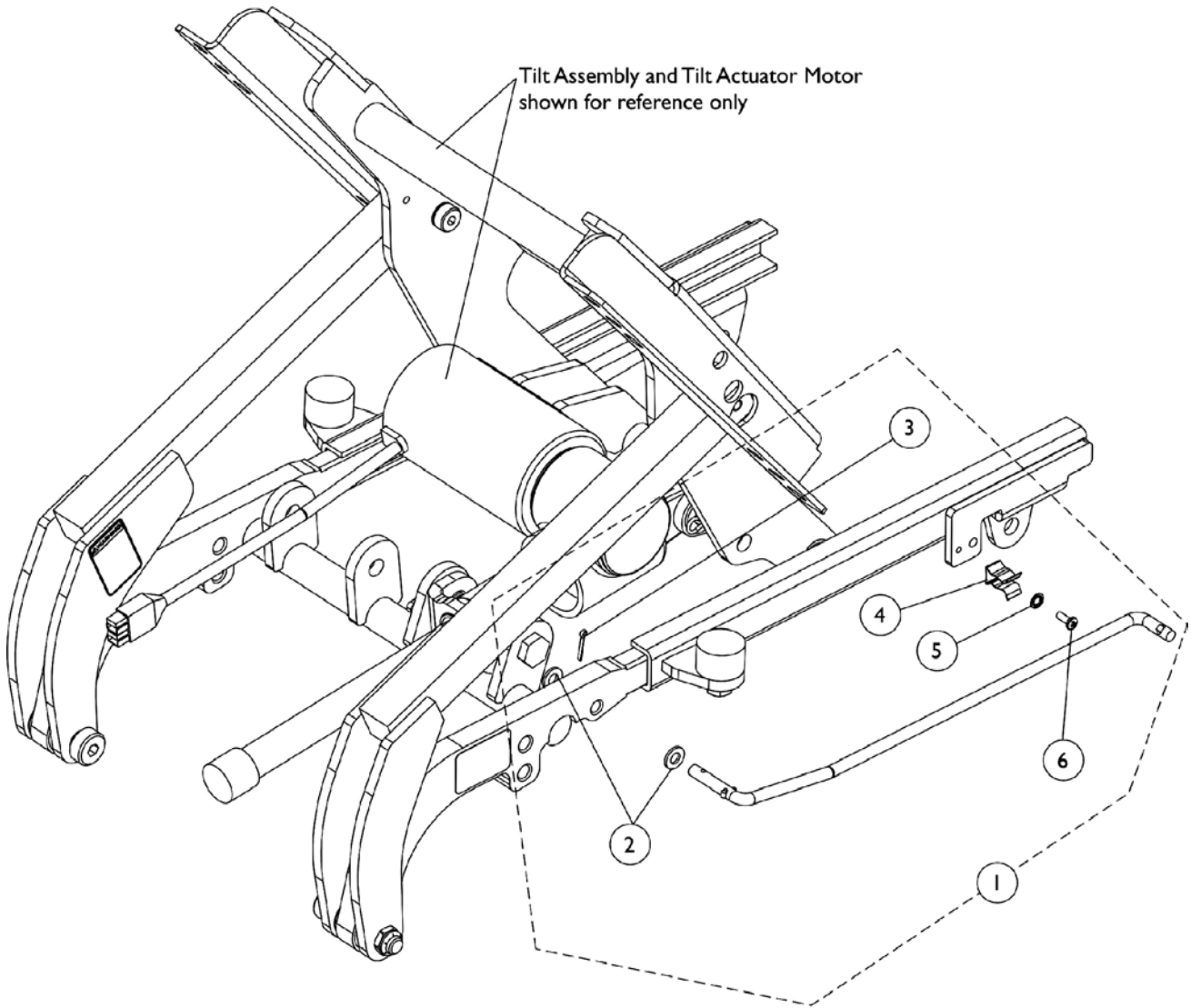


Assist Spring Assembly (For Pronto M91 & TDX Only)

For User Weights Of 276 Lbs. - 375 Lbs.

Item Number	Note	Part Number	Description	Quantity Per	
				Package	Assembly
1	A	1128391	NLA - Kit, Assist Spring Mounting Hardware	1	1
2			NLA - Pin, Clevis (3/8 x 2")	1	1
3			Washer, Flat (3/8")	1	1
4			NLA - Cotter, Locking Bow-Tie (1/4" Shaft)	1	1
5			NLA - Pin, Threaded Pivot	1	2
6	B	1126995-NLA	NLA - Assist Spring Assembly	1	1
NOTE: A - Includes items 2-5 B - Individual components are not available					

Prop Rod Assembly



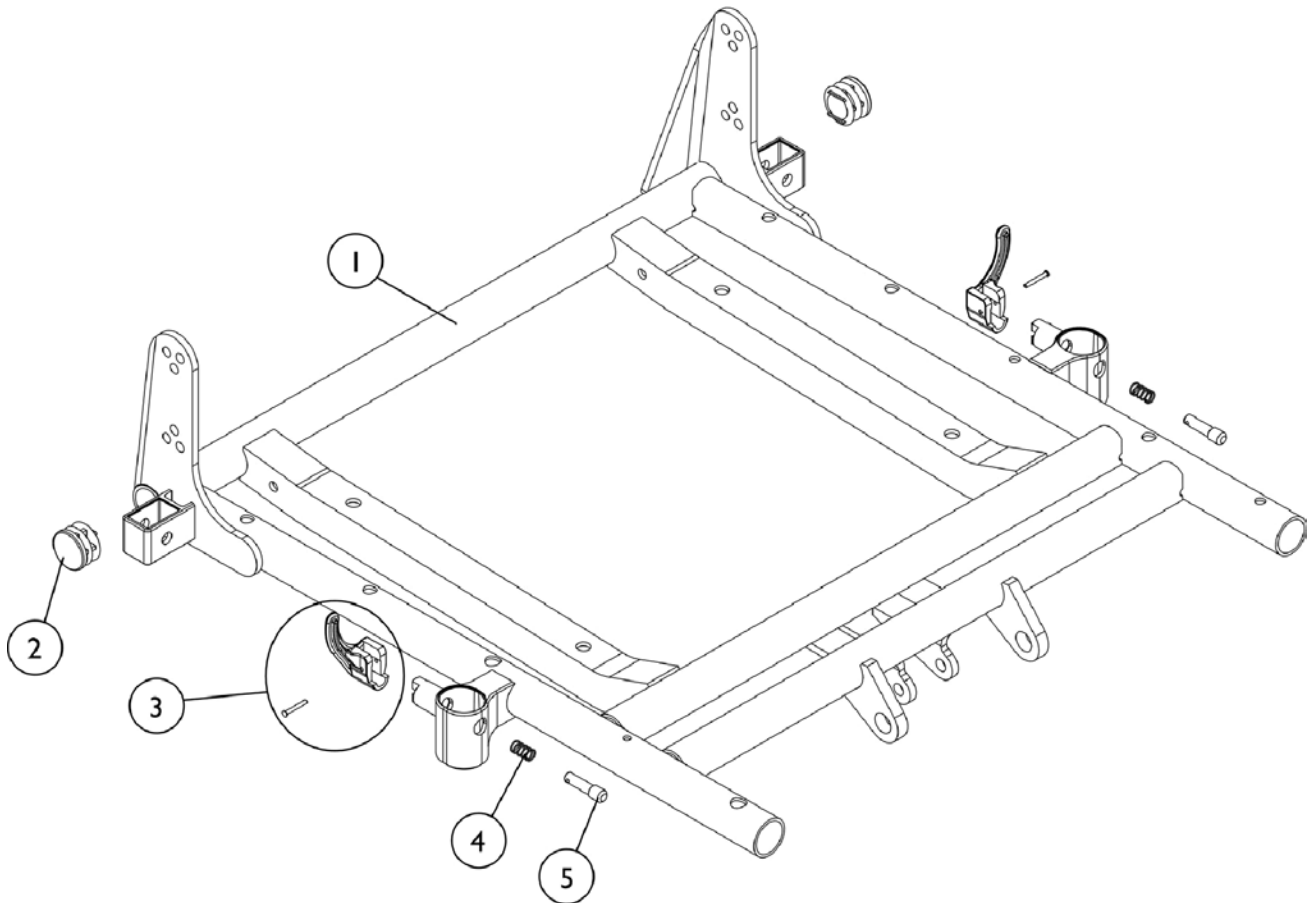
Prop Rod Assembly

Item Number	Note	Part Number	Description	Quantity Per	
				Package	Assembly
1	A	1128385-NLA	NLA - Kit, Prop Rod	1	1
2			Washer (1/4 x 1/2 x 1/16")	1	2
3			NLA - Pin, Cotter (5/64 x 1/2")	1	1
4			NLA - Clip, Adjustable Finger Grip (#28)	1	1
5			NLA - Lockwasher (1/8" x 3/4" x 1/16")	1	1
6			NLA - Screw, Phillips Pan Head Tap (6-32 x 3/8")	1	1

NOTE: A - Includes the Prop Rod and items 2-6

ASBA Seat Frame

(TDX Before 7/5/05) (M71 Before 8/8/05) (M91 Before 10/4/05)



Item Number	Note	Part Number	Description	Quantity Per	
				Package	Assembly
1		See Chart	#1 Seat Frame with Hardware	1	1
2		1029501	Plug Button, Black (1")	1	2
3		1090768	Kit, Lock Handle w/Rivets (Pair)	2	1
4		47471X074	Spring, Arm Lock	1	2
5		1028594	Pin, Arm Lock, Black	1	2

#1 Seat Frame with Hardware

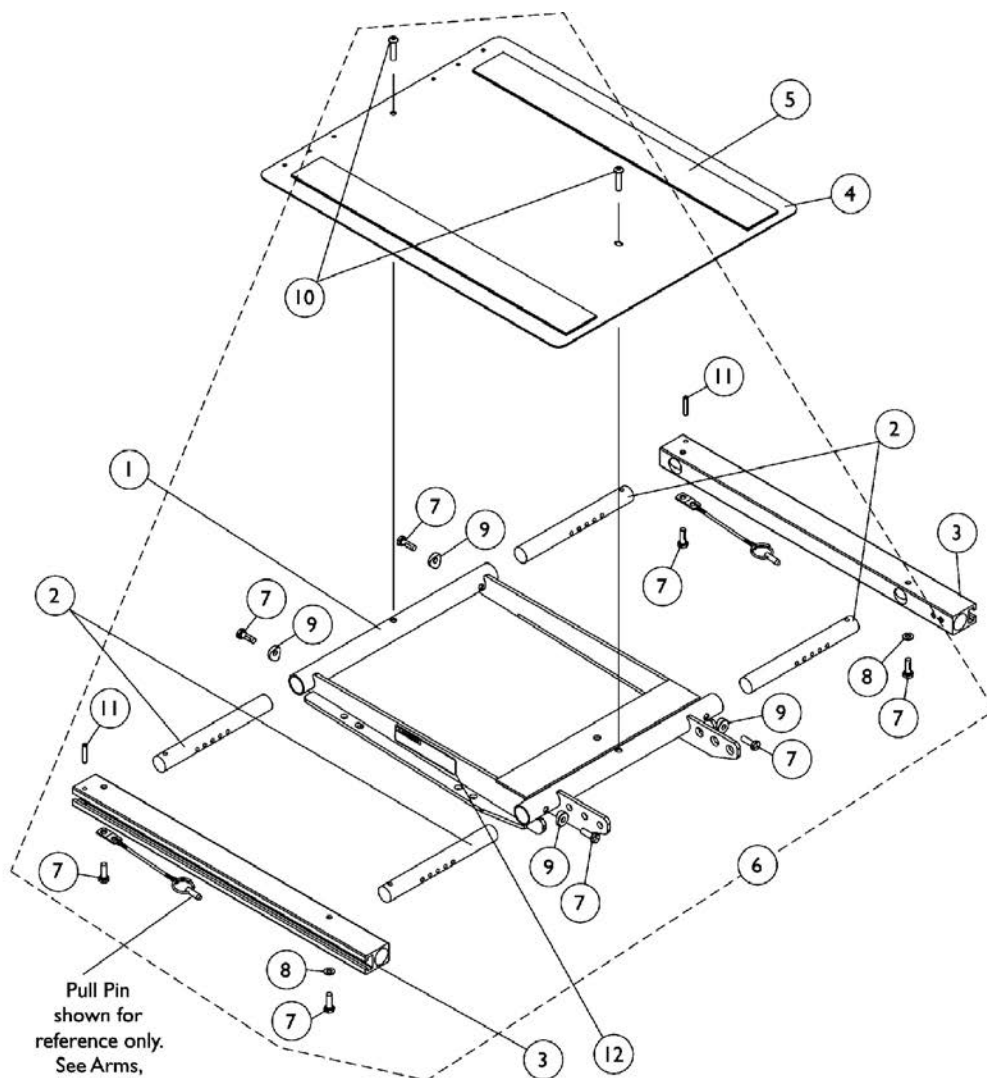
Chair Width	16"-17" Deep	18" - 19" Deep	20" - 21" Deep	22" Deep
16" Wide	1118313-NLA	1118322-NLA	1118331-NLA	1118340-NLA
17" Wide	1118314-NLA	1118323-NLA	1118332-NLA	1118341-NLA
18" Wide	1118315-NLA	1118324-NLA	1118333-NLA	1118342-NLA
19" Wide	1118316-NLA	1118325-NLA	1118334-NLA	1118343-NLA
20" Wide	1118317-NLA	1118326-NLA	1118335-NLA	1118344-NLA
21" Wide	1118318-NLA	1118327-NLA	1118336-NLA	1118345-NLA

ASBA Seat Frame
(TDX Before 7/5/05) (M71 Before 8/8/05) (M91 Before 10/4/05)
#1 Seat Frame with Hardware

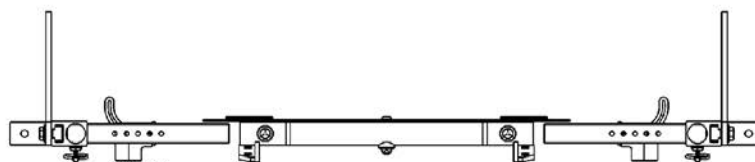
Chair Width	16"-17" Deep	18" - 19" Deep	20" - 21" Deep	22" Deep
22" Wide	1118319-NLA	1118328-NLA	1118337-NLA	1118346-NLA
NOTE: Seat frame includes items 2-5				

ADJASBA Seat Frame, Seat Pan and Hardware

(16"-20" Wide) x (16"-22" Deep) For (TDX After 7/4/05) (M71 After 8/7/05)
(M91 After 10/3/05)



Pull Pin
shown for
reference only.
See Arms,
Mounting
Swingaway
Hardware page



- For 16" wide seat
- For 17" wide seat
- For 18" wide seat
- For 19" wide seat
- For 20" wide seat

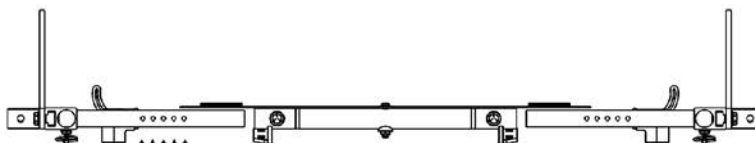
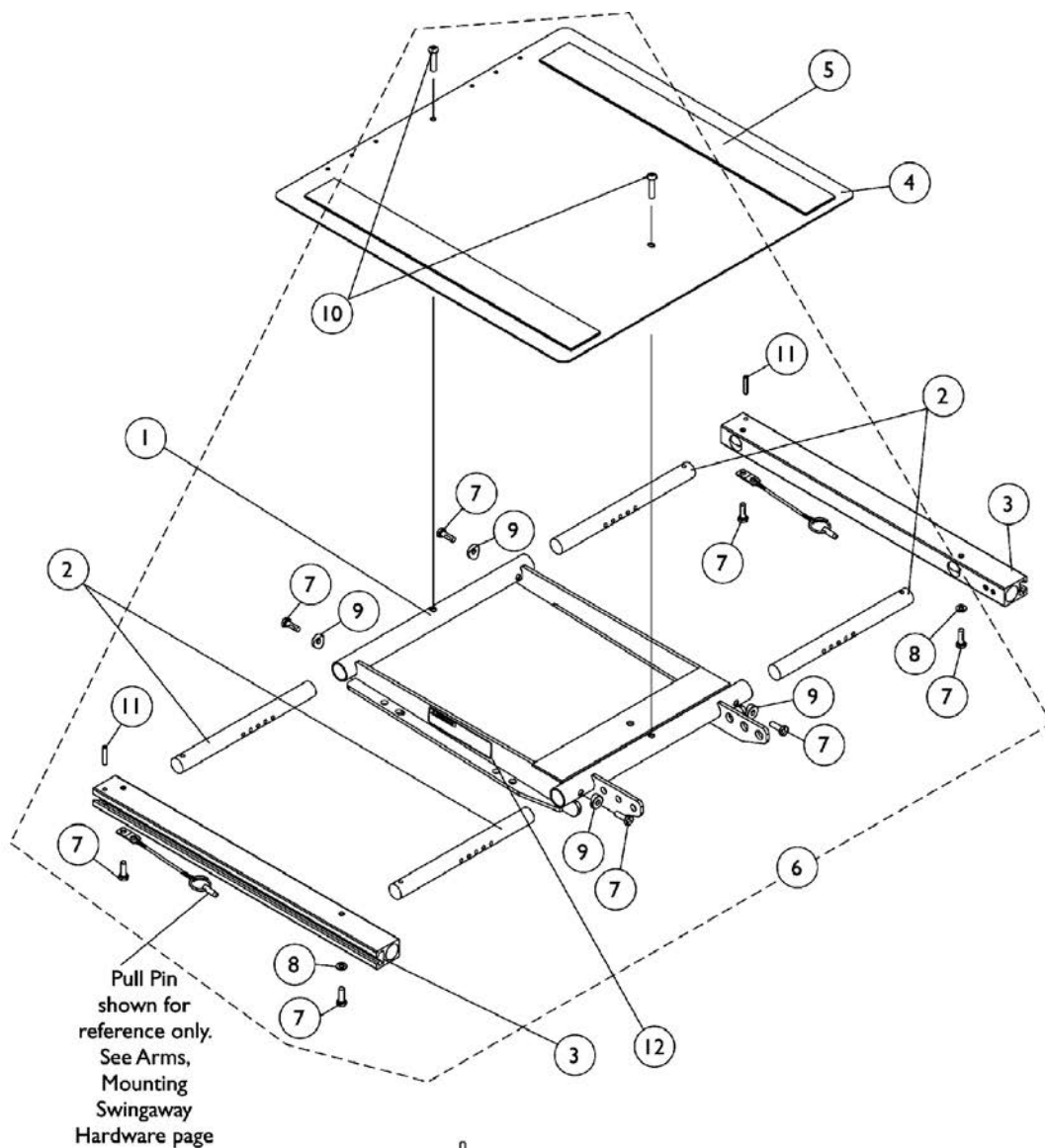
Seat Frame Width Settings

ADJASBA Seat Frame, Seat Pan and Hardware
(16"-20" Wide) x (16"-22" Deep) For (TDX After 7/4/05) (M71 After 8/7/05)
(M91 After 10/3/05)

Item Number	Note	Part Number	Description	Quantity Per	
				Package	Assembly
1	D	1120288	Frame, Center Seat, Black	1	1
2		1122475	Crossbar, Seat Frame (16" - 20" W)	1	4
3		1122647	Rail, Seat Frame (16 - 20" D For Formula TRE and 16 - 19" D For ADJASBA)	1	2
3		1122677	Rail, Seat Frame (20 - 22" D Formula TRE) (19 - 22" D ADJASBA)	1	2
4		1124386	Pan, Seat with Hook and Loop Fasteners (16 - 20" W) x (16 - 20" D For Formula TRE) & (16 - 19" D For ADJASBA)	1	1
4		1124666	Pan, Seat, with Hook and Loop Fasteners (16 - 20" W) x (20 - 22" D For Formula TRE) & (19 - 22" D For ADJASBA)	1	1
5	A	1043082	Hook Fastener with Adhesive Back (2" W x 18" L)	1	2
5	A	1044580	Loop Fastener with Adhesive Back (2" W x 18" L)	1	2
5	B	1043084	Hook Fastener with Adhesive back (2" W x 22" L)	1	2
5	B	1044584	Loop Fastener with Adhesive back (2" W x 22" L)	1	2
6	C	1135501	Kit, Seat Frame Assembly Hardware	1	1
7			Screw, Hex Head w/ Patch (1/4-20 x 3/4")	1	8
8			Washer (1/4 x 1/2 x 1/16")	1	2
9			Spacer, Coved (1/4 x 11/16 x 1/2")	1	4
10			Screw, Socket Button (1/4-20 x 3/4")	1	2
11			NLA - Pin, Roll (3/16 x 1")	1	2
12		1114823	Decal, Seat Adjustment Warning	1	2
NOTE: A - For 16"-19" deep seats B - For 19"-22" deep seats C - Includes items 7-11 D - When ordering Center Seat Frame (item 1), also order 2 ea. Seat Adjustment Warning Decal (item 12).					

ADJASBA Seat Frame, Seat Pan and Hardware

(20"-22" Wide) x (16"-22" Deep) For (TDX After 7/4/05) (M71 After 8/7/05)
(M91 After 10/3/05)



- For 20" wide seat
- For 21" wide seat
- For 22" wide seat
- For 23" wide seat
- For 24" wide seat

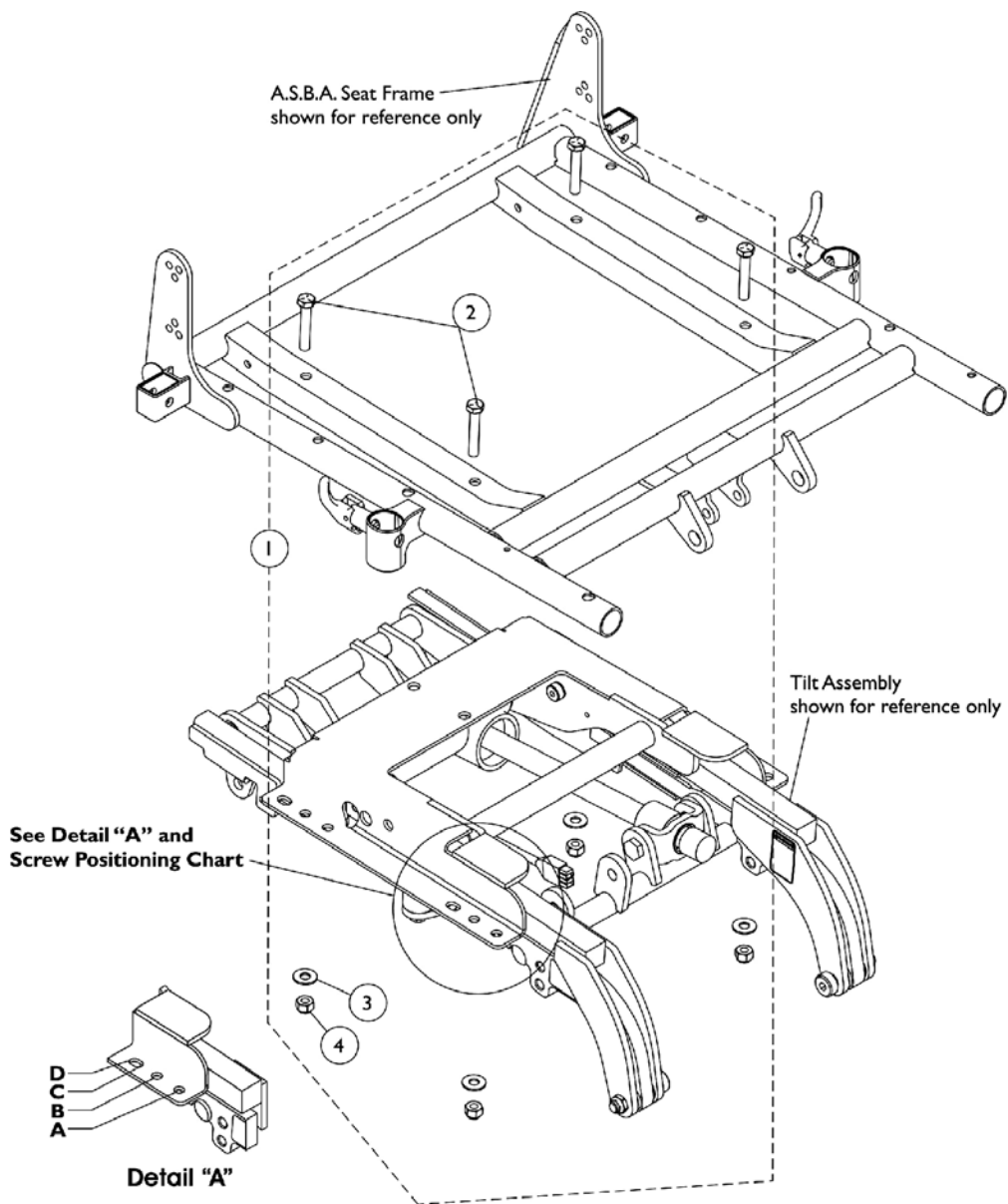
Seat Frame Width Settings

ADJASBA Seat Frame, Seat Pan and Hardware
(20"-22" Wide) x (16"-22" Deep) For (TDX After 7/4/05) (M71 After 8/7/05)
(M91 After 10/3/05)

Item Number	Note	Part Number	Description	Quantity Per	
				Package	Assembly
1	D	1120288	Frame, Center Seat, Black	1	1
2		1120283	Crossbar, Seat Frame (20" - 24" W)	1	4
3		1122647	Rail, Seat Frame (16 - 20" D For Formula TRE and 16 - 19" D For ADJASBA)	1	2
3		1122677	Rail, Seat Frame (20 - 22" D Formula TRE) (19 - 22" D ADJASBA)	1	2
4		1124388	Pan, Seat, with Hook and Loop Fasteners (20 - 24" W) x (16 - 20" D For Formula TRE) & (16 - 19" D For ADJASBA)	1	1
4		1124667	Pan, Seat with Hook and Loop Fasteners (20 - 24" W) x (20 - 22" D For Formula TRE) & (19 - 22" D For ADJASBA)	1	1
5	A	1043082	Hook Fastener with Adhesive Back (2" W x 18" L)	1	2
5	A	1044580	Loop Fastener with Adhesive Back (2" W x 18" L)	1	2
5	B	1043084	Hook Fastener with Adhesive back (2" W x 22" L)	1	2
5	B	1044584	Loop Fastener with Adhesive back (2" W x 22" L)	1	2
6	C	1135501	Kit, Seat Frame Assembly Hardware	1	1
7			Screw, Hex Head w/ Patch (1/4-20 x 3/4")	1	8
8			Washer (1/4 x 1/2 x 1/16")	1	2
9			Spacer, Coved (1/4 x 11/16 x 1/2")	1	4
10			Screw, Socket Button (1/4-20 x 3/4")	1	2
11			NLA - Pin, Roll (3/16 x 1")	1	2
12		1114823	Decal, Seat Adjustment Warning	1	2
NOTE: A - For 16"-19" deep seats B - For 19"-22" deep seats C - Includes items 7-11 D - When ordering Center Seat Frame (item 1), also order 2 ea. Seat Adjustment Warning Decal (item 12).					

ASBA Seat Frame Mounting Hardware

(TDX Before 7/5/05) (M71 Before 8/8/05) (M91 Before 10/4/05)



Screw Positioning Chart

Model	Depth	Hole Position
M71	16-17"	B
	18-20"	D
M91	16-17"	B
	18-21"	C
	22"	D
TDX	16-18"	B
	19-22"	D

ASBA Seat Frame Mounting Hardware

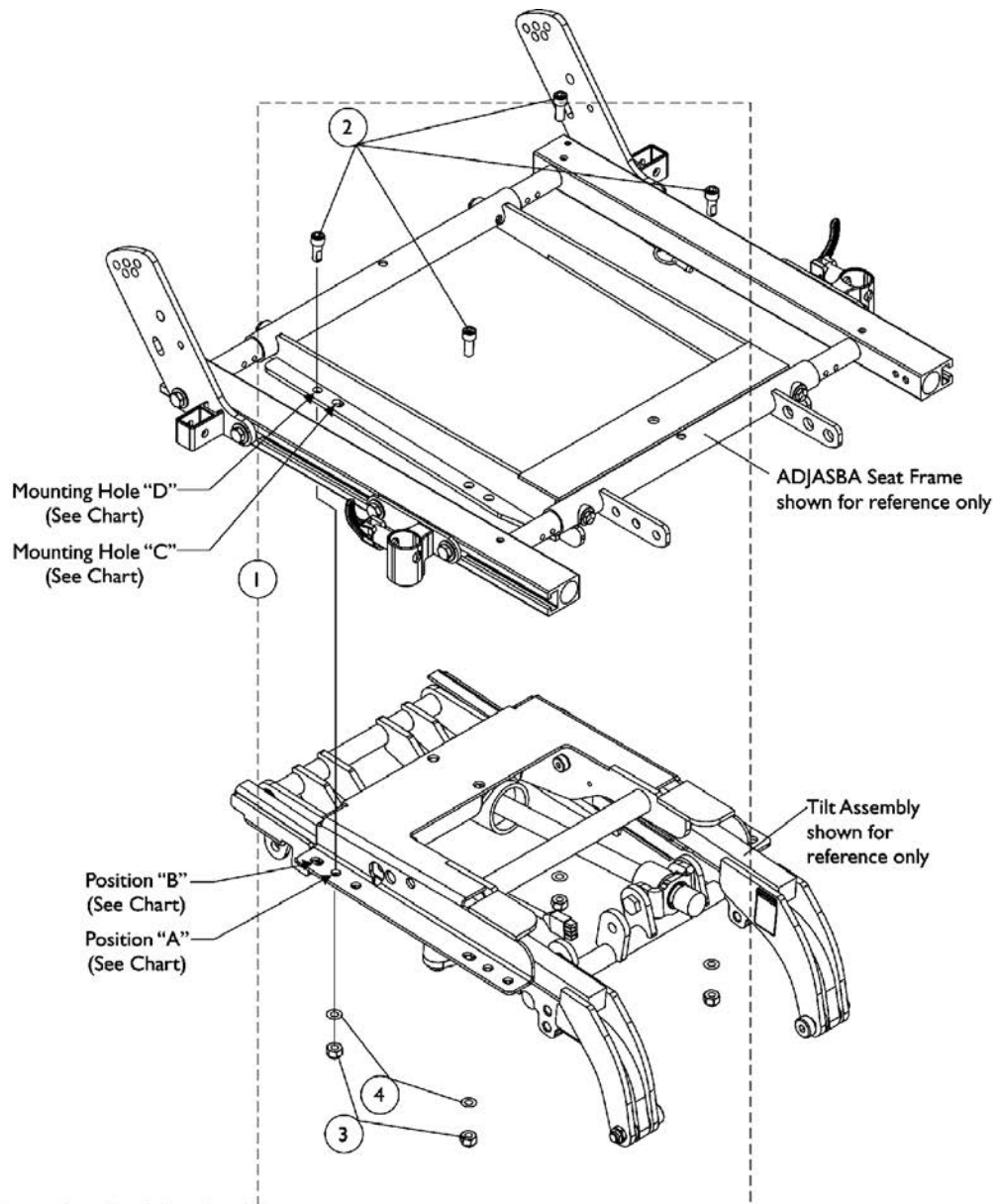
(TDX Before 7/5/05) (M71 Before 8/8/05) (M91 Before 10/4/05)

Item Number	Note	Part Number	Description	Quantity Per	
				Package	Assembly
1	A	1126991-NLA	NLA - Kit, A.S.B.A. Seat Frame Mounting	1	1
2			NLA - Screw, Hex Head (5/16-18 x 1-3/4")	1	4
3			Washer, Steel (5/16 x 3/4 x 1/16")	1	4
4			Locknut (5/16-18)	1	4

NOTE: A - Includes items 2-4

ADJASBA Seat Frame Mounting Hardware

(TDX After 7/4/05) (M71 After 8/7/05) (M91 After 10/3/05 User Wgt. U275)



Seat Mounting Positioning Chart

Model	Seat Depth	Mounting Holes
TDX	16-17"	BD
	18-19"	AD
	20-22"	BD
M71	16-17"	BC
	18-19" Short Frame	AD
	19-20" Long Frame	BC
M91	16-17"	AD
	18-22"	BD

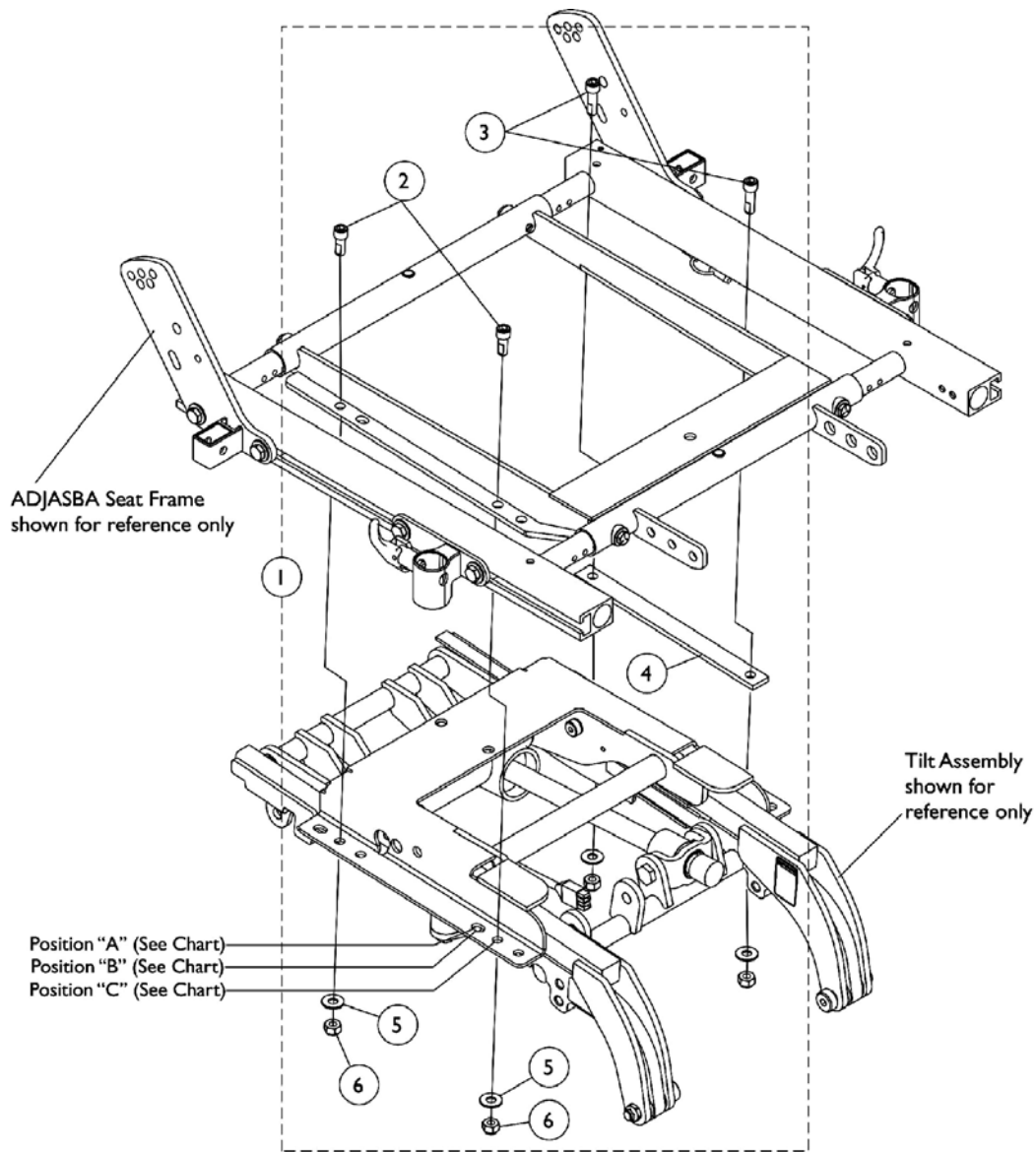
ADJASBA Seat Frame Mounting Hardware

(TDX After 7/4/05) (M71 After 8/7/05) (M91 After 10/3/05 User Wgt. U275)

Item Number	Note	Part Number	Description	Quantity Per	
				Package	Assembly
1	A	1133806-NLA	NLA - Kit, ADJASBA Seat Mounting Hardware, 0 Degree Setting	1	1
2			NLA - Screw, Socket Head (5/16-18 x 3/4")	1	4
3			Locknut (5/16-18)	1	4
4			Washer, Steel (5/16 x 3/4 x 1/16")	1	4

NOTE: A - Includes items 2 and 4

ADJASBA Seat Frame Mounting Hardware (M91 After 10/3/05 User Wgt. U375)



Seat Mounting Positioning Chart

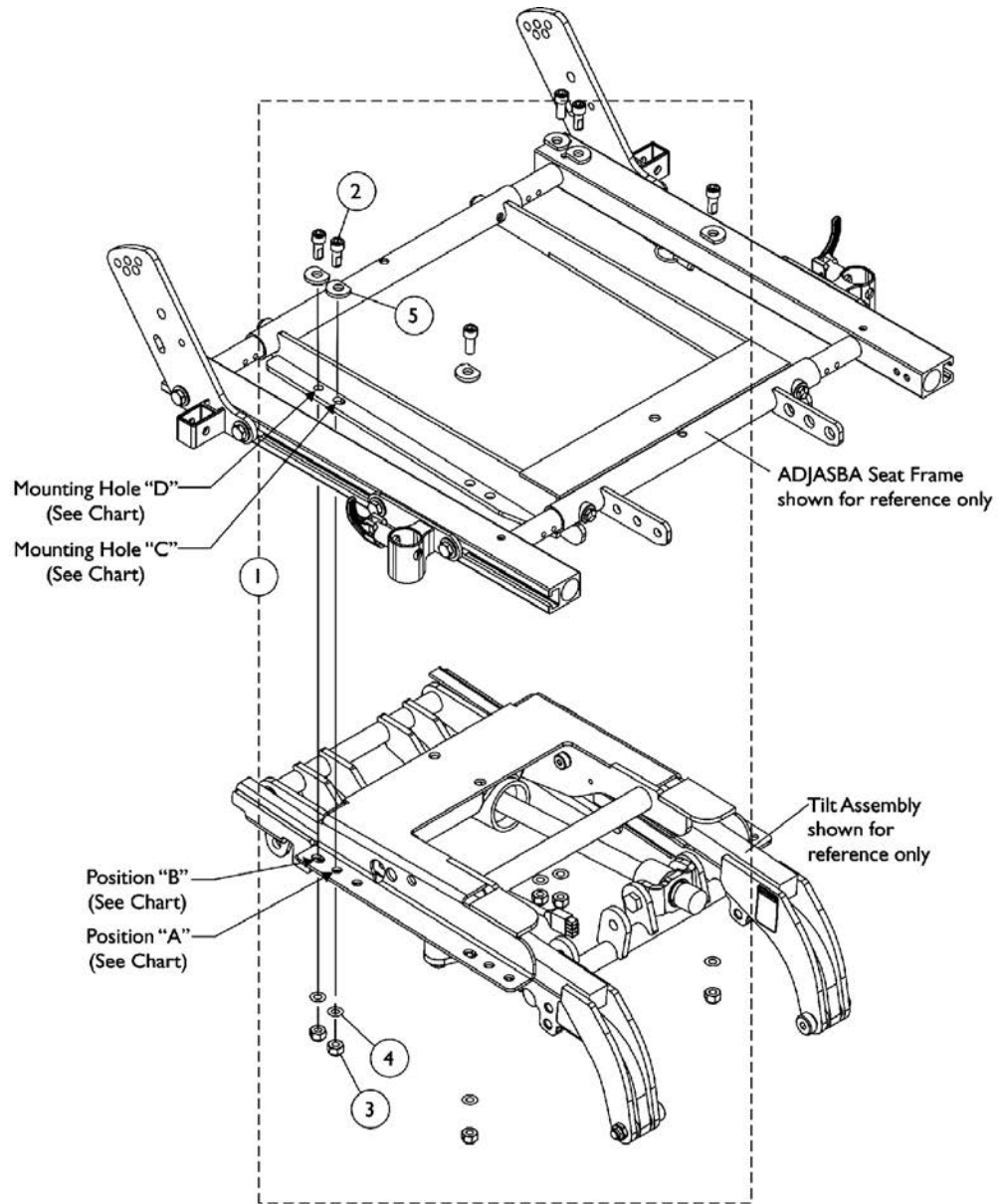
Model	Seat Depth	Mounting Holes
M91	16-17"	A
	18-21"	B
	22"	C

ADJASBA Seat Frame Mounting Hardware (M91 After 10/3/05 User Wgt. U375)

Item Number	Note	Part Number	Description	Quantity Per	
				Package	Assembly
1	A	1146662-NLA	NLA - Kit, ADJASBA Seat Mounting Hardware (U375 Weight Limit, 0 Deg. Setting)	1	1
2			NLA - Screw, Socket Head (5/16-18 x 3/4")	1	2
3			NLA - Screw, Socket Head w/ Patch (5/16-18 x 1")	1	2
4			Shim	1	1
5			Washer, Steel (5/16 x 3/4 x 1/16")	1	4
6			Locknut (5/16-18)	1	4
NOTE: A - Includes items 2 and 6. Shim added 12/1/06. For Chairs manufactured Before 12/1/06, it is recommended to order new hardware and add the shim as shown.					

ADJASBA Seat Frame Mounting Hardware

For TDX Only with TRBKTS Option



Seat Mounting Positioning Chart

Model	Seat Depth	Mounting Holes
TDX	16-17"	BD
	18-19"	AD
	20-22"	BD

ADJASBA Seat Frame Mounting Hardware For TDX Only with TRBKTS Option

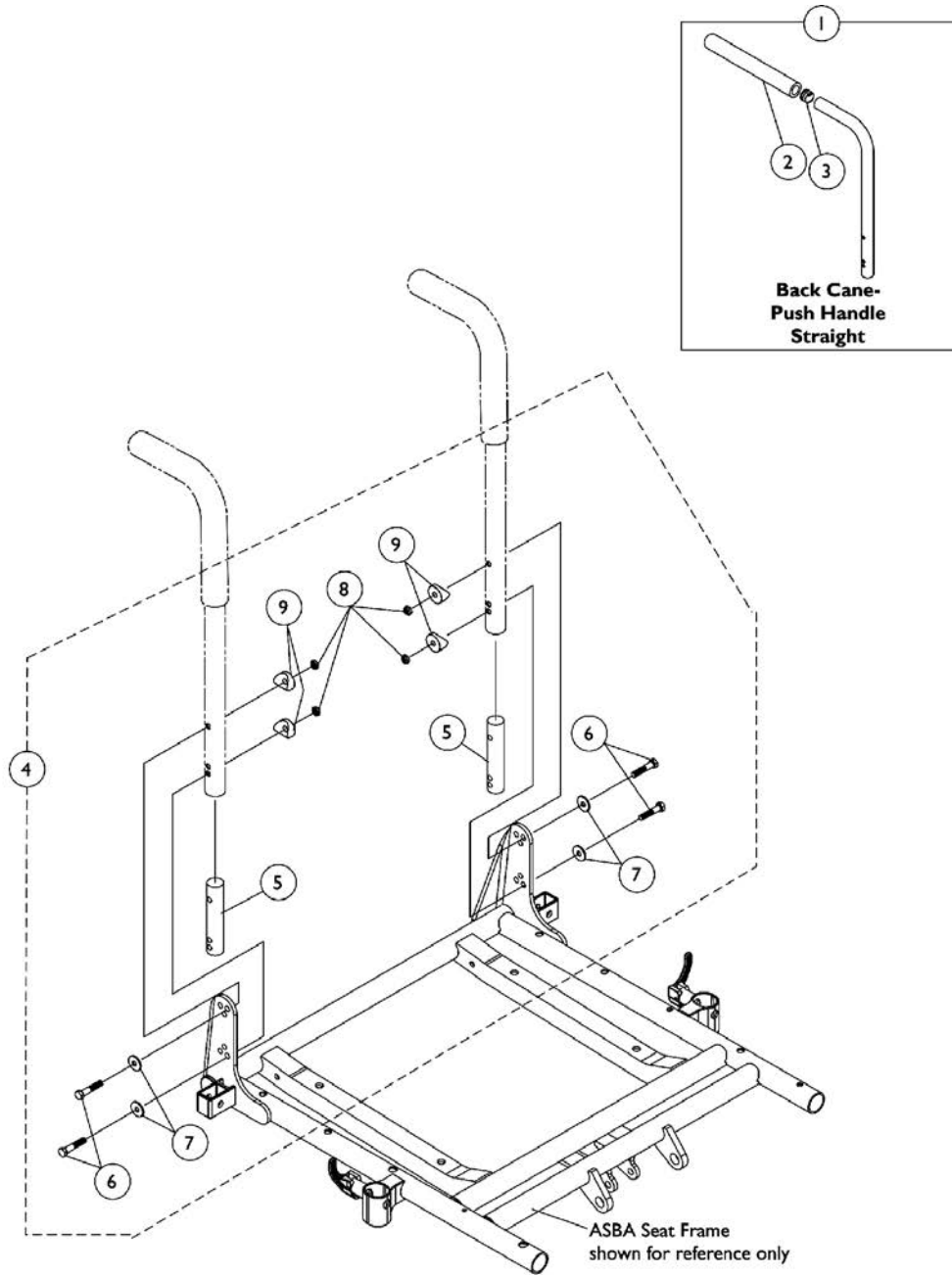
Item Number	Note	Part Number	Description	Quantity Per	
				Package	Assembly
1	A	1141674	NLA - Kit, ADJASBA Seat Mounting Hardware, 0 Degree Setting For TRBKTS Option	1	1
2			Screw, Socket Head w/ Patch (5/16-18 x 7/8")	1	6
3			Locknut (5/16-18)	1	6
4			Washer, Steel (5/16 x 3/4 x 1/16")	1	6
5			NLA - Washer, Ground (11/32 x 13/16 x 1/8")	1	6

NOTE: A - Includes items 2 and 5

Back Canes and Attaching Hardware

ASBA Seats For (TDX Before 7/5/05) (M71 Before 8/8/05) (M91 Before 10/4/05)

NOTE: Spreader bars are used for the Back Cane Only Option to mount the headrest support assembly.
See "Accessories, Headrest Support Assembly for Back Cane Only Option" page.



Back Canes and Attaching Hardware

ASBA Seats For (TDX Before 7/5/05) (M71 Before 8/8/05) (M91 Before 10/4/05)

**NOTE: Spreader bars are used for the Back Cane Only Option to mount the headrest support assembly.
See "Accessories, Headrest Support Assembly for Back Cane Only Option" page.**

Item Number	Note	Part Number	Description	Quantity Per	
				Package	Assembly
1		See Chart	#2 Back Cane Assemblies For User Weight Under 275 lbs.	1	2
1		See Chart	#2 Back Cane Assemblies For User Weights Of 276 Lbs. - 375 Lbs.	1	2
2		1135506	Package, Foam Hand Grip (9" L)	10	1
3		1134426	Package, Plug Button, Black (3/4")	10	1
4	A	1106554-NLA	NLA - Kit, Back Cane Attaching Hardware	2	1
5			Insert, Non-Threaded Back Cane (For Back Heights 20" and Lower)	1	2
6			Screw, Hex Head (1/4-20 x 1-5/8")	1	4
7			Washer (1/4 x 23/32 x 1/16")	1	4
8			Locknut (1/4-20)	1	4
9			Spacer, Coved (1/4 x 11/16 x 1/2")	1	4
4	B	1106555-NLA	NLA - Kit, Back Cane Attaching Hardware	2	1
5			NLA - Insert, Non-Threaded Back Cane (For Back Heights 21" and Higher)	1	2
6			Screw, Hex Head (1/4-20 x 1-5/8")	1	4
7			Washer (1/4 x 23/32 x 1/16")	1	4
8			Locknut (1/4-20)	1	4
9			Spacer, Coved (1/4 x 11/16 x 1/2")	1	4
4	C	1128392	NLA - Kit, Back Cane Attaching Hardware	2	1
6			Screw, Hex Head (1/4-20 x 1-5/8")	1	4
7			Washer (1/4 x 23/32 x 1/16")	1	4
8			Locknut (1/4-20)	1	4
9			Spacer, Coved (1/4 x 11/16 x 1/2")	1	4

NOTE: A - Includes items 5-9. Used for user weight under 275 lbs. and back heights 20" and lower.
 B - Includes items 5-9. Used for user weight under 275 lbs. and back heights 21" and above.
 C - Includes items 6-9. Used for user weight under 375 lbs. and all back heights.

#2 Back Cane Assemblies For User Weight Under 275 lbs.

16" High	17" High	18" High	19" High	20-24" High
1127424-NLA	1127425-NLA	1127426-NLA	1127427-NLA	1127428-NLA

NOTE: Back Cane Assemblies include Foam Grips and Plug Buttons where shown

#2 Back Cane Assemblies For User Weights Of 276 Lbs. - 375 Lbs.

16" High	17" High	18" High	19" High	20-24" High

Back Canes and Attaching Hardware

ASBA Seats For (TDX Before 7/5/05) (M71 Before 8/8/05) (M91 Before 10/4/05)

NOTE: Spreader bars are used for the Back Cane Only Option to mount the headrest support assembly. See "Accessories, Headrest Support Assembly for Back Cane Only Option" page.

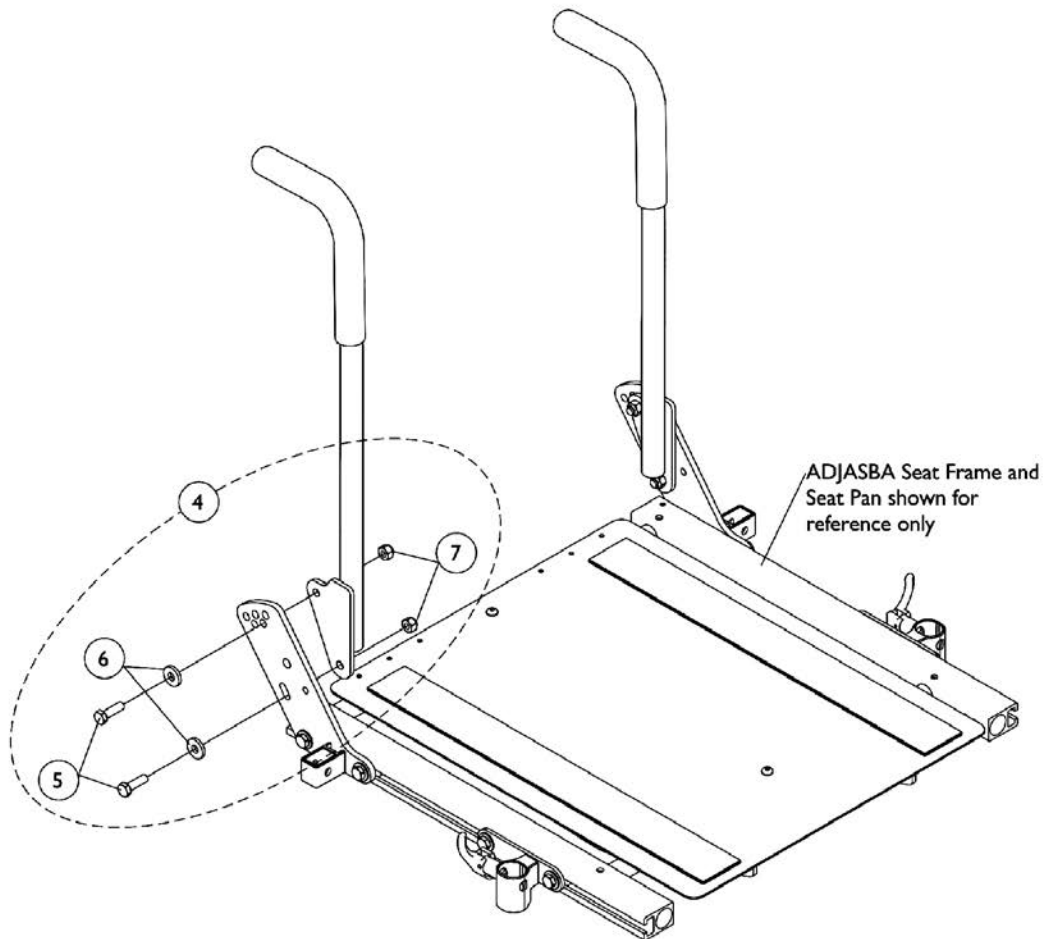
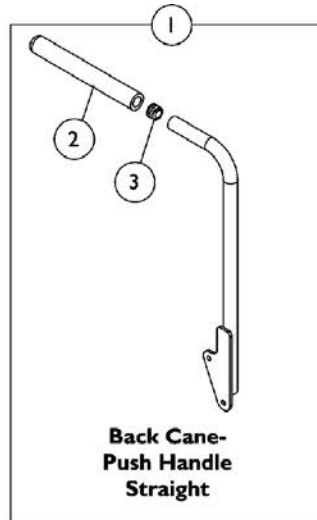
#2 Back Cane Assemblies For User Weights Of 276 Lbs. - 375 Lbs.

16" High	17" High	18" High	19" High	20-24" High
1127067-NLA	1127068-NLA	1127069-NLA	1127070-NLA	1127071-NLA
NOTE: Back Cane Assemblies include Foam Grips and Plug Buttons where shown				

Back Canes and Attaching Hardware

ADJASBA Seat For (TDX After 7/4/05) (M71 After 8/7/05) (M91 After 10/3/05)

NOTE: Spreader bars are used for the Back Cane Only Option to mount the headrest support assembly.
See "Accessories, Headrest Support Assembly for Back Cane Only Option" page.



Back Canes and Attaching Hardware

ADJASBA Seat For (TDX After 7/4/05) (M71 After 8/7/05) (M91 After 10/3/05)

NOTE: Spreader bars are used for the Back Cane Only Option to mount the headrest support assembly.
See "Accessories, Headrest Support Assembly for Back Cane Only Option" page.

Item Number	Note	Part Number	Description	Quantity Per	
				Package	Assembly
1		See Chart	#1 Back Cane Assemblies	1	1
2		1135506	Package, Foam Hand Grip (9" L)	10	1
3		1134426	Package, Plug Button, Black (3/4")	10	1
4	A	1135999	Kit, Back Cane Mounting Hardware (Pair)	1	1
5			Screw, Hex Head (5/16-18 x 1")	1	4
6			Washer, Flat (21/64 x 53/64 x 7/64")	1	4
7			Locknut (5/16-18)	1	4

NOTE: A - Includes items 5-7.

#1 Back Cane Assemblies

Back Height	Back Cane-Push Handle Straight Right	Back Cane-Push Handle Straight Left
16"	1133793	1133794
17"	1133795	1133796
18"	1143334	1143335
19"	See Note(s) C 1133799	See Note(s) C 1133800
20"	1133801 See Note(s) D, A	1133802 See Note(s) D, A
21"	1136011 See Note(s) B	1136012 See Note(s) B
22"	1136013 See Note(s) B	1136014 See Note(s) B
23"	1136015 See Note(s) B	1136016 See Note(s) B
24"	1136017 See Note(s) B	1136018 See Note(s) B

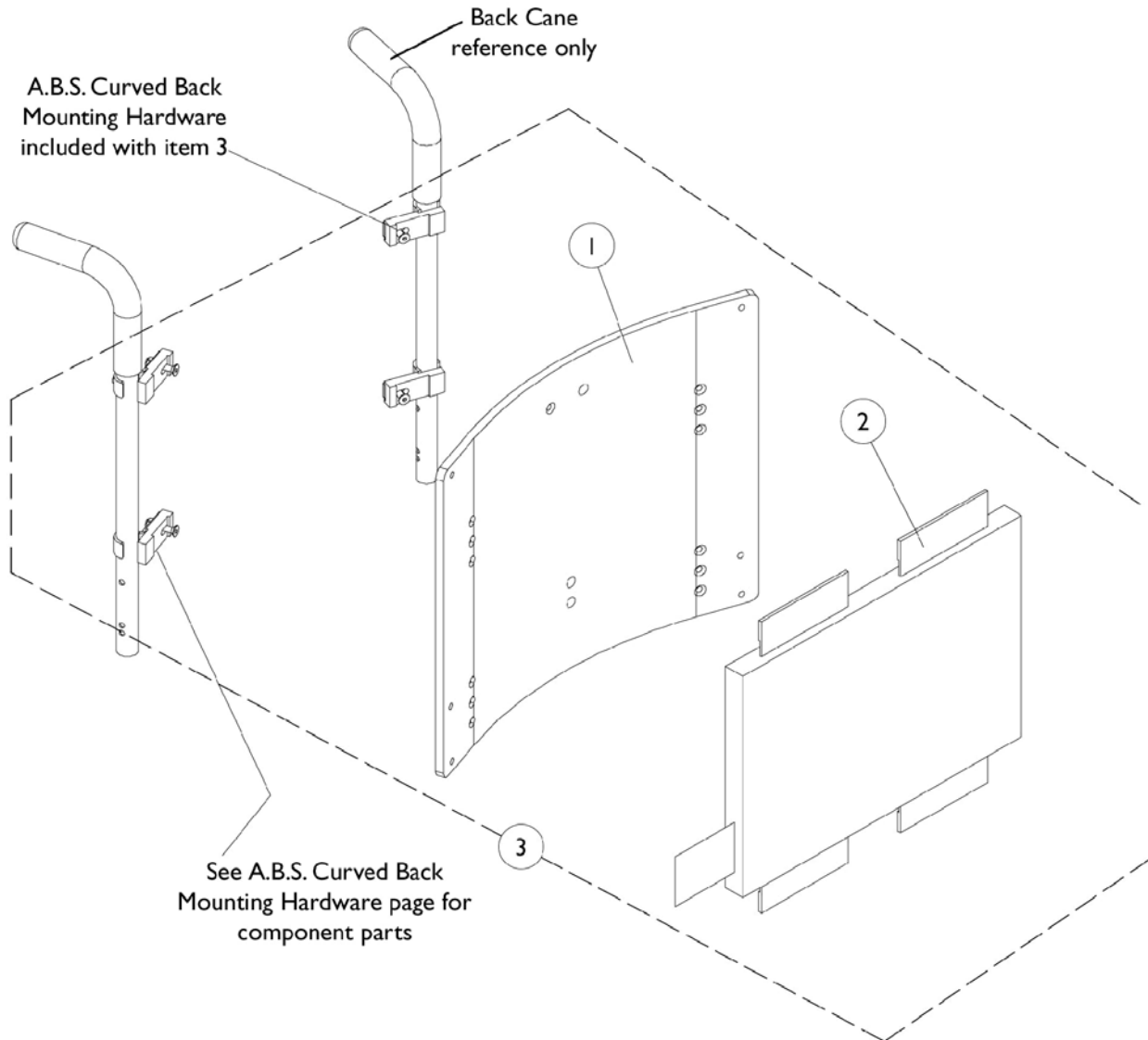
NOTE: A - All 20"-24" high ABS Curved Backs ordered On-Chair will use the 20" High Back Cane.
 B - 21"-24" high Back Canes are only offered On-Chair when Back Post Only option is selected.
 C - Wheelchairs manufactured before 5/15/09 with a Contoura Back 25" or 29" high and wheelchairs manufactured after 5/14/09 with a Curve Contoura Back 22" high will use the 18" high Straight Back Cane w/ Push Handle.
 D - Wheelchairs manufactured after 5/14/09 with a Curve Contoura Back 25" or 28" high will use the 20" high Straight Cane w/ Push Handle.

NOTE: Back Cane Assemblies include Foam Grips and Plug Buttons where shown

ABS Curved Back Assembly

NOTE: ABS curved back mounts to back canes without a 10 degree bend.

NOTE: As of 8/15/08 the Curved Back material changed from ABS Plastic to Metal as inventory runs out. You must ask the customer if they have an ABS Plastic or the Metal Curved Back model when replacing components. All service replacement Back Assemblies with Hardware shipped will be metal. New Headrest Mounting Hardware is required when replacing an ABS Curved Back with a Metal Curved Back.



ABS Curved Back Assembly

NOTE: ABS curved back mounts to back canes without a 10 degree bend.

NOTE: As of 8/15/08 the Curved Back material changed from ABS Plastic to Metal as inventory runs out. You must ask the customer if they have an ABS Plastic or the Metal Curved Back model when replacing components. All service replacement Back Assemblies with Hardware shipped will be metal. New Headrest Mounting Hardware is required when replacing an ABS Curved Back with a Metal Curved Back.

Item Number	Note	Part Number	Description	Quantity Per	
				Package	Assembly
1		See Chart	#1 Back Pan 16"-18"	1	1
1		See Chart	#1 Back Pan 19"-22"	1	1
2		See Chart	#2 Back Cushion Assembly 16"-18"	1	1
2		See Chart	#2 Back Cushion Assembly 19"-22"	1	1
3		See Chart	#3 Back Assembly with Hardware 16"-18"	1	1
3		See Chart	#3 Back Assembly with Hardware 19"-22"	1	1
	A	1125723	Kit, Hook Fastener w/ Adhesive Back	1	1

NOTE: A - Not Shown. Hook Fastener Adhesive Kit is used to attach the Back Cover to the Back Pan and must be ordered when a new Back Pan or Back Assembly is requested.

#1 Back Pan - 16" Wide to 18" Wide

Overall Back Height	Material Back Height	16" Wide	17" Wide	18" Wide
16"	12"	1086021-NLA <small>See Note(s) A</small>	1086022-NLA <small>See Note(s) A</small>	1086023-NLA <small>See Note(s) A</small>
17"	13"	1086028-NLA <small>See Note(s) A</small>	1086029-NLA <small>See Note(s) A</small>	1086030-NLA <small>See Note(s) A</small>
18"	14"	1086035-NLA <small>See Note(s) A</small>	1086036-NLA <small>See Note(s) A</small>	1086037-NLA <small>See Note(s) A</small>
19"	15"	1086042-NLA <small>See Note(s) A</small>	1086043-NLA <small>See Note(s) A</small>	1086044-NLA <small>See Note(s) A</small>
20"	16"	1086049-NLA <small>See Note(s) A</small>	1086050-NLA <small>See Note(s) A</small>	1086051-NLA <small>See Note(s) A</small>
21"	17"	1086056-NLA <small>See Note(s) A</small>	1086057-NLA <small>See Note(s) A</small>	1086058-NLA <small>See Note(s) A</small>
22"	18"	1086063-NLA <small>See Note(s) A</small>	1086064-NLA <small>See Note(s) A</small>	1086065-NLA <small>See Note(s) A</small>
23"	19"	1086070-NLA <small>See Note(s) A</small>	1086071-NLA <small>See Note(s) A</small>	1086072-NLA <small>See Note(s) A</small>
24"	20"	1086077-NLA <small>See Note(s) A</small>	1086078-NLA <small>See Note(s) A</small>	1086079-NLA <small>See Note(s) A</small>

NOTE: A - Part Number is No Longer Available. See Category page titled "Backs - Metal Curved Assembly" and use the item "Back Assembly w/ Hardware" to find replacement part numbers. Match the wheelchair width by the material back height when ordering.

NOTE: Hook Fastener Adhesive Kit must be ordered when a Back Pan or Back Assembly is requested. This will allow the Loop Fastener Adhesive on the Back Cover to attach properly.

ABS Curved Back Assembly

NOTE: ABS curved back mounts to back canes without a 10 degree bend.

NOTE: As of 8/15/08 the Curved Back material changed from ABS Plastic to Metal as inventory runs out. You must ask the customer if they have an ABS Plastic or the Metal Curved Back model when replacing components. All service replacement Back Assemblies with Hardware shipped will be metal. New Headrest Mounting Hardware is required when replacing an ABS Curved Back with a Metal Curved Back.

#1 Back Pan - 19" Wide to 22" Wide

Overall Back Height	Material Back Height	19" Wide	20" Wide	21" Wide	22" Wide
16"	12"	1086024-NLA See Note(s) A	1086025-NLA See Note(s) A	1086026-NLA See Note(s) A	1086027-NLA See Note(s) A
17"	13"	1086031-NLA See Note(s) A	1086032-NLA See Note(s) A	1086033-NLA See Note(s) A	1086034-NLA See Note(s) A
18"	14"	1086038-NLA See Note(s) A	1086039-NLA See Note(s) A	1086040-NLA See Note(s) A	1086041-NLA See Note(s) A
19"	15"	1086045-NLA See Note(s) A	1086046-NLA See Note(s) A	1086047-NLA See Note(s) A	1086048-NLA See Note(s) A
20"	16"	1086052-NLA See Note(s) A	1086053-NLA See Note(s) A	1086054-NLA See Note(s) A	1086055-NLA See Note(s) A
21"	17"	1086059-NLA See Note(s) A	1086060-NLA See Note(s) A	1086061-NLA See Note(s) A	1086062-NLA See Note(s) A
22"	18"	1086066-NLA See Note(s) A	1086067-NLA See Note(s) A	1086068-NLA See Note(s) A	1086069-NLA See Note(s) A
23"	19"	1086073-NLA See Note(s) A	1086074-NLA See Note(s) A	1086075-NLA See Note(s) A	1086076-NLA See Note(s) A
24"	20"	1086080-NLA See Note(s) A	1086081-NLA See Note(s) A	1086082-NLA See Note(s) A	1086083-NLA See Note(s) A

NOTE: A - Part Number is No Longer Available. See Category page titled "Backs - Metal Curved Assembly" and use the item "Back Assembly w/ Hardware" to find replacement part numbers. Match the wheelchair width by the material back height when ordering.

NOTE: Hook Fastener Adhesive Kit must be ordered when a Back Pan or Back Assembly is requested. This will allow the Loop Fastener Adhesive on the Back Cover to attach properly.

ABS Curved Back Assembly

NOTE: ABS curved back mounts to back canes without a 10 degree bend.

NOTE: As of 8/15/08 the Curved Back material changed from ABS Plastic to Metal as inventory runs out. You must ask the customer if they have an ABS Plastic or the Metal Curved Back model when replacing components. All service replacement Back Assemblies with Hardware shipped will be metal. New Headrest Mounting Hardware is required when replacing an ABS Curved Back with a Metal Curved Back.

#2 Back Cushion Assembly - 16" Wide to 18" Wide

Overall Back Height	Material Back Height	16" Wide	17" Wide	18" Wide
16"	12"	1097375-NLA	1097376-NLA	1097377
17"	13"	1097382-NLA	1097383-NLA	1097384-NLA
18"	14"	1097389	1097390-NLA	1097391
19"	15"	1097396	1097397	1097398
20"	16"	1097403	1097404	1097405
21"	17"	1097410	1097411	1097412
22"	18"	1097417	1097418	1097419
23"	19"	1097424	1097425	1097426
24"	20"	1097431	1097432	1097433

NOTE: Back cover and foam are sold as a back cushion assembly only.

#2 Back Cushion Assembly - 19" Wide to 22" Wide

Overall Back Height	Material Back Height	19" Wide	20" Wide	21" Wide	22" Wide
16"	12"	1097378-NLA	1097379-NLA	1097380-NLA	1097381-NLA
17"	13"	1097385-NLA	1097386-NLA	1097387-NLA	1097388-NLA
18"	14"	1097392	1097393	1097394-NLA	1097395-NLA
19"	15"	1097399	1097400	1097401	1097402
20"	16"	1097406	1097407	1097408	1097409
21"	17"	1097413	1097414	1097415	1097416
22"	18"	1097420	1097421	1097422	1097423
23"	19"	1097427	1097428	1097429	1097430
24"	20"	1097434	1097435	1097436	1097437

NOTE: Back cover and foam are sold as a back cushion assembly only.

ABS Curved Back Assembly

NOTE: ABS curved back mounts to back canes without a 10 degree bend.

NOTE: As of 8/15/08 the Curved Back material changed from ABS Plastic to Metal as inventory runs out. You must ask the customer if they have an ABS Plastic or the Metal Curved Back model when replacing components. All service replacement Back Assemblies with Hardware shipped will be metal. New Headrest Mounting Hardware is required when replacing an ABS Curved Back with a Metal Curved Back.

#3 Back Assembly with Hardware - 16" Wide to 18" Wide

Overall Back Height	Material Back Height ABS Plastic Curved	Material Back Height Metal Curved	16" Wide	17" Wide	18" Wide
16"	12"	11"	1106973-NLA	1106983	1106993
17"	13"	12"	1106974	1106984	1106994
18"	14"	13"	1106975	1106985	1106995
19"	15"	14"	1106976	1106986	1106996
20"	16"	15"	1106977	1106987	1106997
21"	17"	16"	1106978	1106988	1106998
22"	18"	17"	1106979	1106989	1106999
23"	19"	18"	1106980	1106990	1107000
24"	20"	19"	1106981	1106991	1107001

NOTE: Hook Fastener Adhesive Kit must be ordered when a Back Pan or Back Assembly is requested. This will allow the Loop Fastener Adhesive on the Back Cover to attach properly.

#3 Back Assembly with Hardware - 19" Wide to 22" Wide

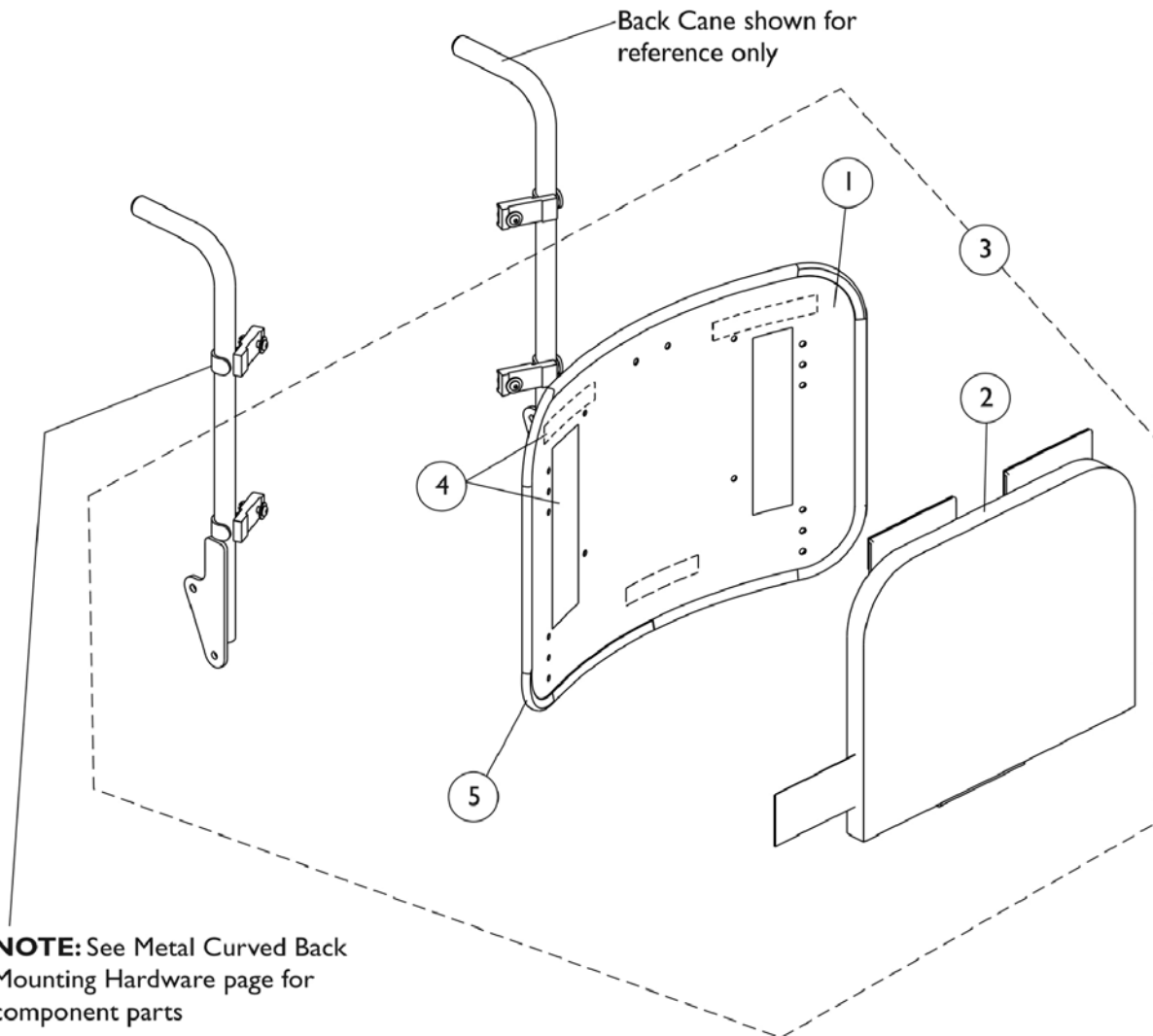
Overall Back Height	Material Back Height ABS Plastic Curved	Material Back Height Metal Curved	19" Wide	20" Wide	21" Wide	22" Wide
16"	12"	11"	1107003	1107013	1107023	1107033
17"	13"	12"	1107004	1107014	1107024	1107034
18"	14"	13"	1107005	1107015	1107025	1107035
19"	15"	14"	1107006	1107016	1107026	1107036
20"	16"	15"	1107007	1107017	1107027	1107042-NLA
21"	17"	16"	1107008	1107018	1107028	1107043
22"	18"	17"	1107009	1107019	1107029	1107044
23"	19"	18"	1107010	1107020	1107030	1107045
24"	20"	19"	1107011	1107021	1107031	1107046

NOTE: Hook Fastener Adhesive Kit must be ordered when a Back Pan or Back Assembly is requested. This will allow the Loop Fastener Adhesive on the Back Cover to attach properly.

Metal Curved Back Assembly

NOTE: Curved Back mounts only to back canes without a 10 degree bend.

NOTE: As of 8/15/08 the Curved Back material changed from ABS Plastic to Metal as inventory runs out. You must ask the customer if they have an ABS Plastic or the Metal Curved Back model when replacing components. All service replacement Back Assemblies with Hardware shipped will be metal. New Headrest Mounting Hardware is required when replacing an ABS Plastic Curved Back with a Metal Curved Back.



Metal Curved Back Assembly

NOTE: Curved Back mounts only to back canes without a 10 degree bend.

NOTE: As of 8/15/08 the Curved Back material changed from ABS Plastic to Metal as inventory runs out. You must ask the customer if they have an ABS Plastic or the Metal Curved Back model when replacing components. All service replacement Back Assemblies with Hardware shipped will be metal. New Headrest Mounting Hardware is required when replacing an ABS Plastic Curved Back with a Metal Curved Back.

Item Number	Note	Part Number	Description	Quantity Per	
				Package	Assembly
1		See Chart	#1 Back Pan w/ Vinyl Edge Trim 16"-18" Wide	1	1
1		See Chart	#1 Back Pan w/ Vinyl Edge Trim 19"-22" Wide	1	1
2		See Chart	#2 Back Cushion Assembly 16"-18" Wide	1	1
2		See Chart	#2 Back Cushion Assembly 19"-22" Wide	1	1
3		See Chart	#3 Back Assembly with Hardware 16"-18" Wide	1	1
3		See Chart	#3 Back Assembly with Hardware 19"-22" Wide	1	1
4	A	1125723	Kit, Hook Fastener w/ Adhesive Back	1	1
5		1125724-NLA	NLA - Trim, Edge, Cut-To-Length, Vinyl Black (96" L)	1	1

NOTE: A - Hook Fastener Adhesive Kit is used to attach the Back Cover to the Back Pan and must be ordered when a new Back Pan or Back Assembly is requested.

#1 Back Pan w/ Vinyl Edge Trim - 16"-18" Wide

Overall Back Height	Material Back Height	16" Wide	17" Wide	18" Wide
16"	11"	1157826	1157837	1157848
17"	12"	1157827	1157838	1157849
18"	13"	1157828	1157839	1157850
19"	14"	1157829	1157840	1157851
20"	15"	1157830	1157841	1157852
21"	16"	1157831	1157842	1157853
22"	17"	1157832	1157843	1157854
23"	18"	1157833	1157844	1157855
24"	19"	1157834	1157845	1157856

NOTE: Hook Fastener Adhesive Kit must be ordered when a Back Pan or Back Assembly is requested. This will allow the Loop Fastener Adhesive on the Back Cover to attach properly.

Metal Curved Back Assembly

NOTE: Curved Back mounts only to back canes without a 10 degree bend.

NOTE: As of 8/15/08 the Curved Back material changed from ABS Plastic to Metal as inventory runs out. You must ask the customer if they have an ABS Plastic or the Metal Curved Back model when replacing components. All service replacement Back Assemblies with Hardware shipped will be metal. New Headrest Mounting Hardware is required when replacing an ABS Plastic Curved Back with a Metal Curved Back.

#1 Back Pan w/ Vinyl Edge Trim - 19"-22" Wide

Overall Back Height	Material Back Height	19" Wide	20" Wide	21" Wide	22" Wide
16"	11"	1157859	1157870	1157881	1157892
17"	12"	1157860	1157871	1157882	1157893
18"	13"	1157861	1157872	1157883	1157894
19"	14"	1157862	1157873	1157884	1157895
20"	15"	1157863	1157874	1157885	1157896
21"	16"	1157864	1157875	1157886	1157897
22"	17"	1157865	1157876	1157887	1157898
23"	18"	1157866	1157877	1157888	1157899
24"	19"	1157867	1157878	1157889	1157900

NOTE: Hook Fastener Adhesive Kit must be ordered when a Back Pan or Back Assembly is requested. This will allow the Loop Fastener Adhesive on the Back Cover to attach properly.

#2 Back Cushion Assembly - 16"-18" Wide

Overall Back Height	Material Back Height	16" Wide	17" Wide	18" Wide
16"	12-1/2"	1160207	1160218	1160229
17"	13-1/2"	1160208	1160219	1160230
18"	14-1/2"	1160209	1160220	1160231
19"	15-1/2"	1160210	1160221	1160232
20"	16-1/2"	1160211	1160222	1160233
21"	17-1/2"	1160212	1160223	1160234
22"	18-1/2"	1160213	1160224	1160235
23"	19-1/2"	1160214	1160225	1160236
24"	20-1/2"	1160215	1160226	1160237

NOTE: Back cover and foam are sold as a Back Cushion Assembly only.

Metal Curved Back Assembly

NOTE: Curved Back mounts only to back canes without a 10 degree bend.

NOTE: As of 8/15/08 the Curved Back material changed from ABS Plastic to Metal as inventory runs out. You must ask the customer if they have an ABS Plastic or the Metal Curved Back model when replacing components. All service replacement Back Assemblies with Hardware shipped will be metal. New Headrest Mounting Hardware is required when replacing an ABS Plastic Curved Back with a Metal Curved Back.

#2 Back Cushion Assembly - 19"-22" Wide

Overall Back Height	Material Back Height	19" Wide	20" Wide	21" Wide	22" Wide
16"	12-1/2"	1097378-NLA	1097379-NLA	1097380-NLA	1097381-NLA
17"	13-1/2"	1097385-NLA	1097386-NLA	1097387-NLA	1097388-NLA
18"	14-1/2"	1097392	1097393	1097394-NLA	1097395-NLA
19"	15-1/2"	1097399	1097400	1097401	1097402
20"	16-1/2"	1097406	1097407	1097408	1097409
21"	17-1/2"	1097413	1097414	1097415	1097416
22"	18-1/2"	1097420	1097421	1097422	1097423
23"	19-1/2"	1097427	1097428	1097429	1097430
24"	20-1/2"	1097434	1097435	1097436	1097437

NOTE: Back cover and foam are sold as a Back Cushion Assembly only.

Metal Curved Back Assembly

NOTE: Curved Back mounts only to back canes without a 10 degree bend.

NOTE: As of 8/15/08 the Curved Back material changed from ABS Plastic to Metal as inventory runs out. You must ask the customer if they have an ABS Plastic or the Metal Curved Back model when replacing components. All service replacement Back Assemblies with Hardware shipped will be metal. New Headrest Mounting Hardware is required when replacing an ABS Plastic Curved Back with a Metal Curved Back.

#3 Back Assembly with Hardware - 16" -18" Wide

Overall Back Height	Material Back Height ABS Plastic Curved	Material Back Height Metal Curved	16" Wide	17" Wide	18" Wide
16"	12"	11"	1106973-NLA	1106983	1106993
17"	13"	12"	1106974	1106984	1106994
18"	14"	13"	1106975	1106985	1106995
19"	15"	14"	1106976	1106986	1106996
20"	16"	15"	1106977	1106987	1106997
21"	17"	16"	1106978	1106988	1106998
22"	18"	17"	1106979	1106989	1106999
23"	19"	18"	1106980	1106990	1107000
24"	20"	19"	1106981	1106991	1107001

NOTE: Hook Fastener Adhesive Kit must be ordered when a Back Pan or Back Assembly is requested. This will allow the Loop Fastener Adhesive on the Back Cover to attach properly.

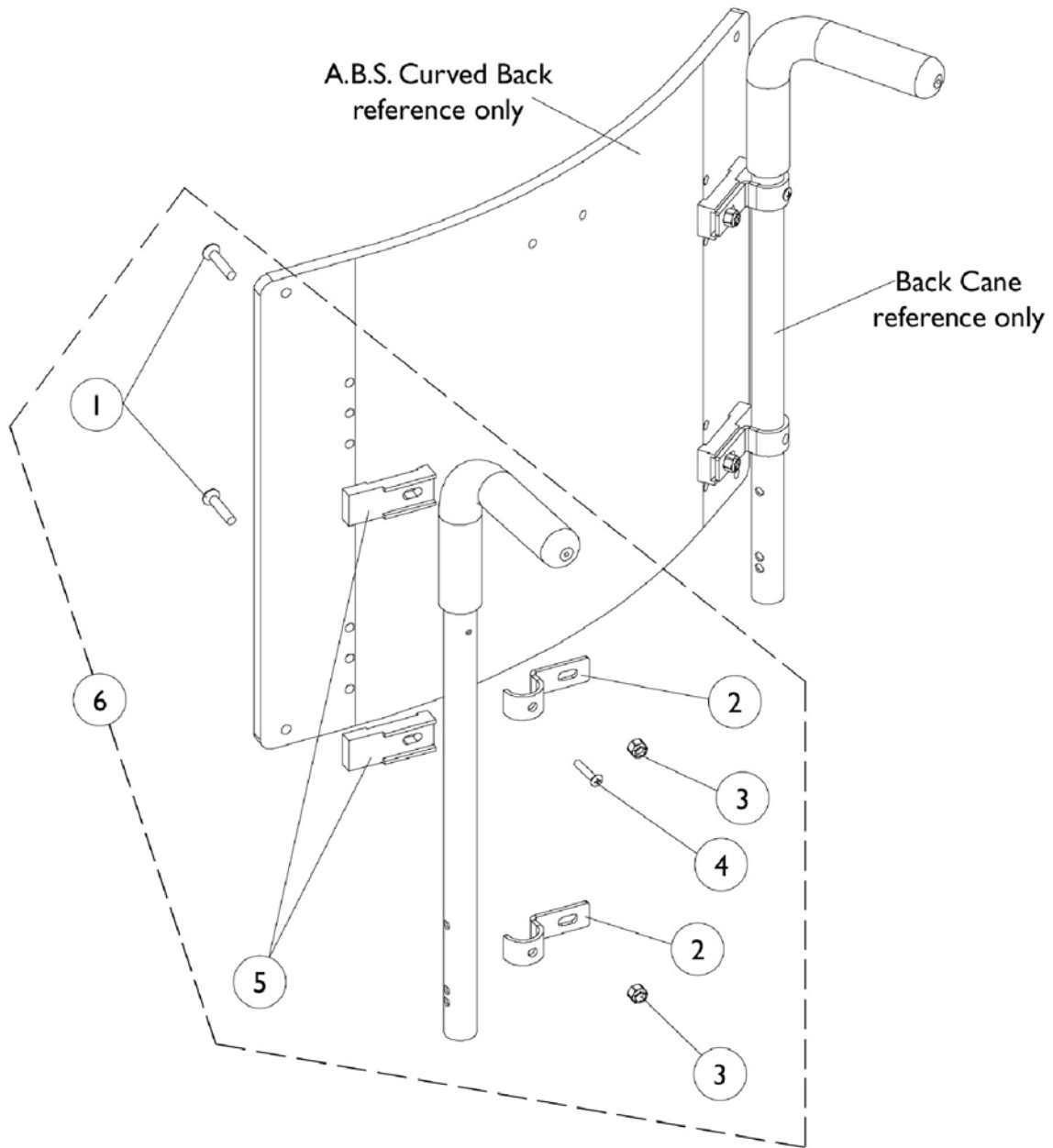
NOTE: When ordering Metal Curved Back assemblies to replace ABS Back Pans, match the wheelchair width by the material back height to determine the correct part number to order.

#3 Back Assembly with Hardware - 19"-22" Wide

Overall Back Height	Material Back Height ABS Plastic Curved	Material Back Height Metal Curved	19" Wide	20" Wide	21" Wide	22" Wide
16"	12"	11"	1107003	1107013	1107023	1107033
17"	13"	12"	1107004	1107014	1107024	1107034
18"	14"	13"	1107005	1107015	1107025	1107035
19"	15"	14"	1107006	1107016	1107026	1107036
20"	16"	15"	1107007	1107017	1107027	1107042-NLA
21"	17"	16"	1107008	1107018	1107028	1107043
22"	18"	17"	1107009	1107019	1107029	1107044
23"	19"	18"	1107010	1107020	1107030	1107045
24"	20"	19"	1107011	1107021	1107031	1107046

NOTE: Hook Fastener Adhesive Kit must be ordered when a Back Pan or Back Assembly is requested. This will allow the Loop Fastener Adhesive on the Back Cover to attach properly.

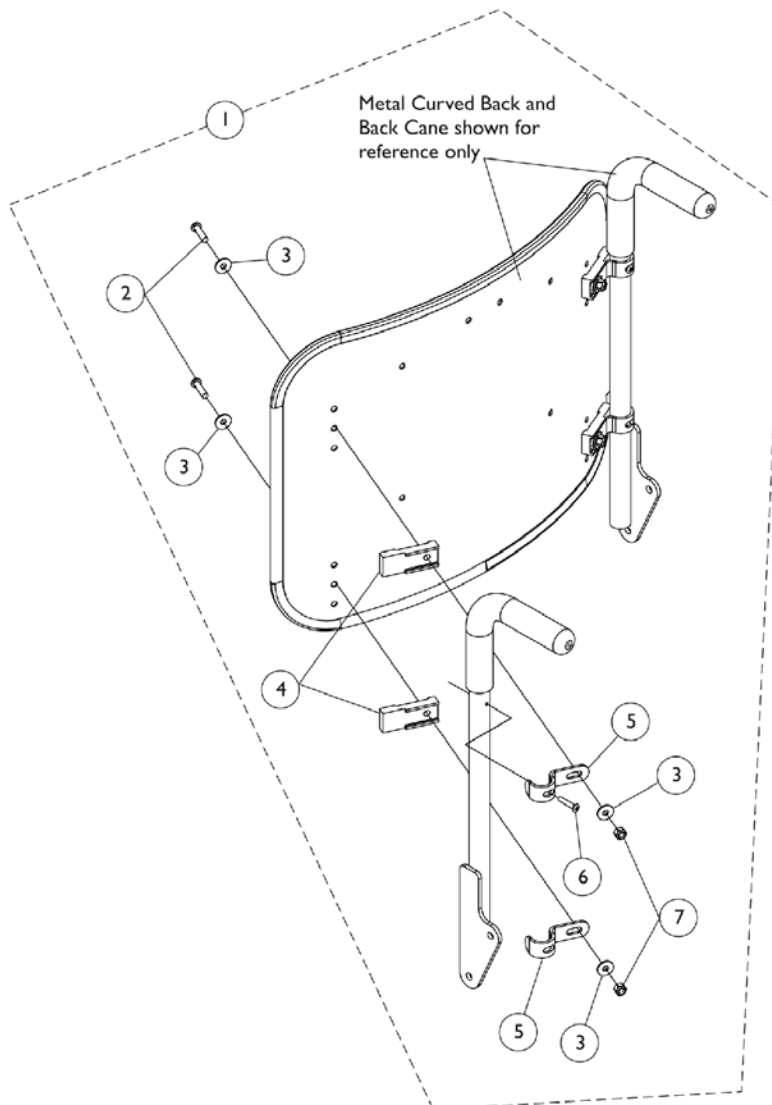
ABS Curved Back Mounting Hardware



ABS Curved Back Mounting Hardware

Item Number	Note	Part Number	Description	Quantity Per	
				Package	Assembly
6	A	1106395-NLA	NLA - Kit, ABS Curved Back Mounting Hardware	1	1
1			NLA - Screw, Socket Flat Head (1/4-20 x 1-1/4")	1	4
2			Hook, Back Assembly Mounting	1	4
3			Locknut (1/4-20)	1	4
4			NLA - Screw, Phillips Oval Head (#10-16 x 7/8")	1	2
5			NLA - Spacer, Back Pan, Black	1	4
NOTE: A - Includes items 1-5					

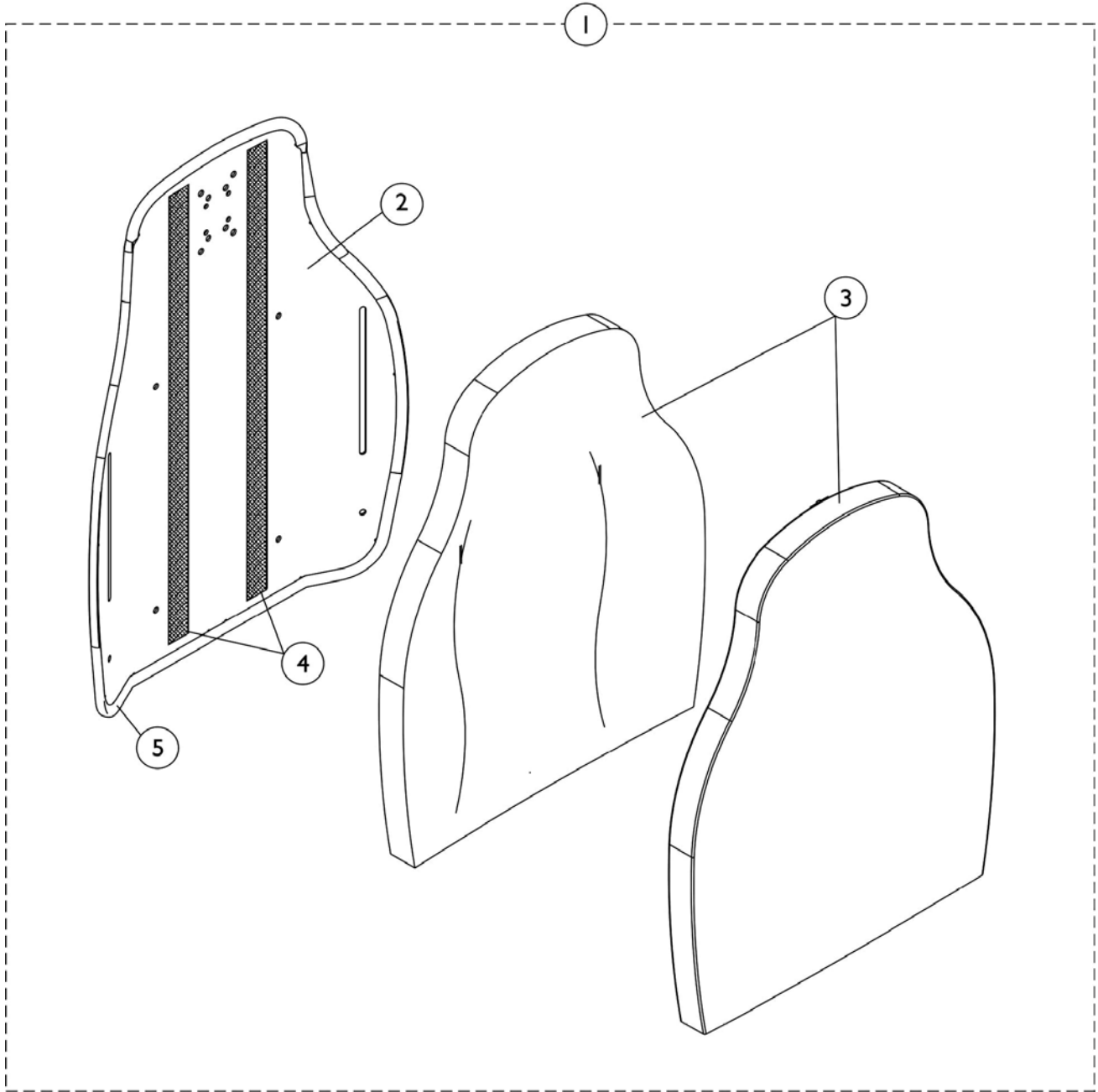
Metal Curved (16-22" Wide) Back Mounting Hardware



Item Number	Note	Part Number	Description	Quantity Per	
				Package	Assembly
1	A	1157925	Kit, Metal Curved and Curve Contoura Back Mounting Hardware	1	1
2			Screw, Socket Button Head (1/4-20 x 1")	1	4
3			Washer (1/4 x 23/32 x 1/16")	1	8
4			Spacer, Back Pan, Black	1	4
5			Hook, Back Assembly Mounting	1	4
6			NLA - Screw, Phillips Oval Head (#10-16 x 7/8")	1	2
7			Locknut (1/4-20)	1	4

NOTE: A - Includes items 2-7

Contoura Back without Mounting Hardware (TDX, M71 and M91) - Before 5/15/09



Contoura Back without Mounting Hardware (TDX, M71 and M91) - Before 5/15/09

Item Number	Note	Part Number	Description	Quantity Per	
				Package	Assembly
1		See Chart	#1 Back Assembly without Hardware 16", 18", 20", 22" Wide	1	1
2		See Chart	#2 Back Pan with Vinyl Edge Trim 16", 18", 20", 22" Wide	1	1
3		See Chart	#3 Back Cushion Assembly 16", 18", 20", 22" Wide	1	1
4		1125725-NLA	NLA - Hook Fastener w/ Adhesive Back (1" W x 48" L)	1	1
5		1125724-NLA	NLA - Trim, Edge, Cut-To-Length, Vinyl Black (96" L)	1	1

Contoura Back without Mounting Hardware (TDX, M71 and M91) - Before 5/15/09

#1 Back Assembly without Hardware 16", 18", 20", 22" Wide

Overall Back Height	Material Back Height	16" Wide	18" Wide	20" Wide	22" Wide
25"	20"	1132828-NLA	1132829-NLA	1132830-NLA	1132831-NLA
29"	24"	1132825-NLA	1124733-NLA	1124734-NLA	1132826-NLA

#2 Back Pan with Vinyl Edge Trim 16", 18", 20", 22" Wide

Overall Back Height	Material Back Height	16" Wide	18" Wide	20" Wide	22" Wide
25"	20"	1131405-NLA	1131406-NLA	1131407-NLA	1131408-NLA See Note(s) A
29"	24"	1131410-NLA	1122454-NLA	1122453-NLA	1131411-NLA

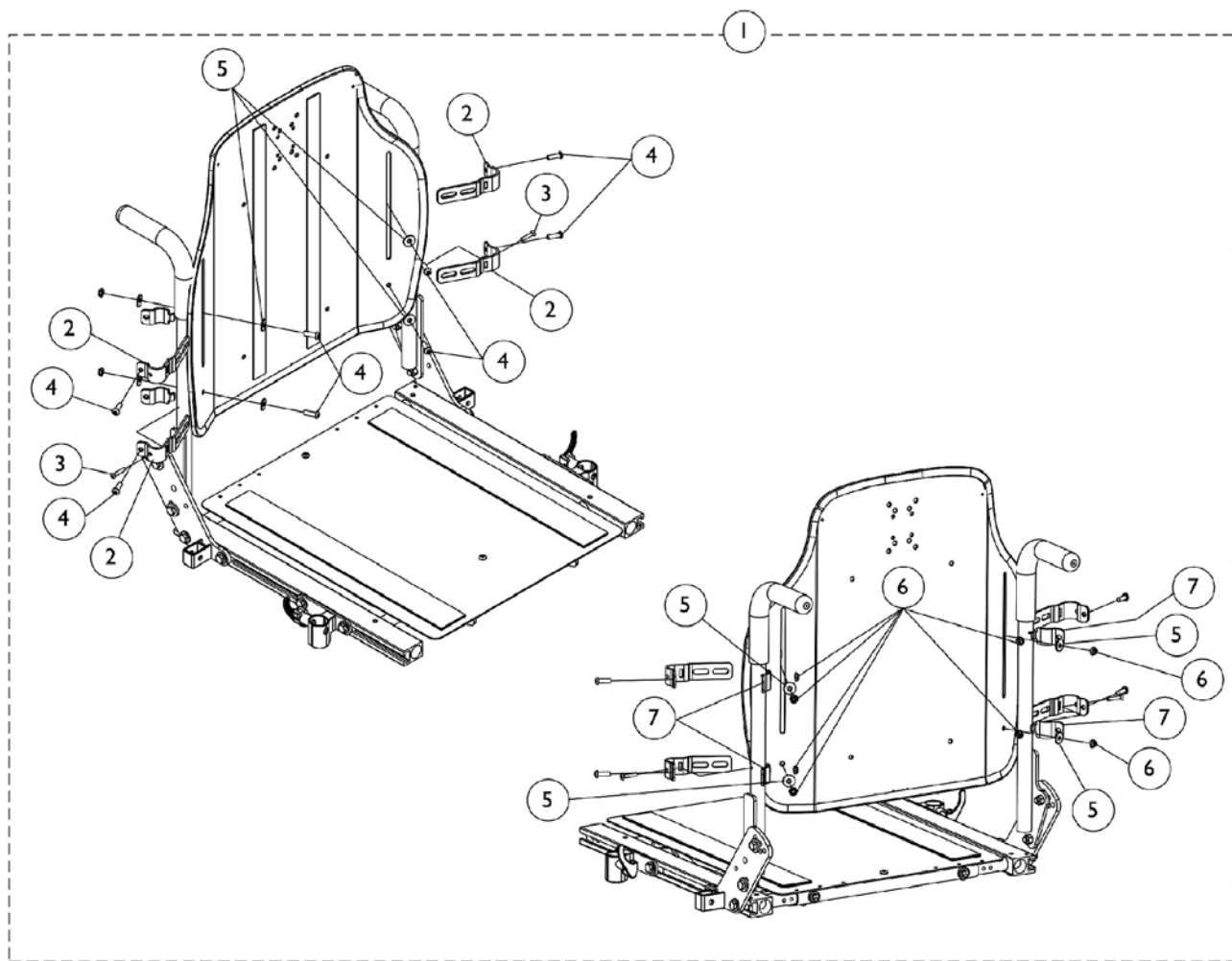
NOTE: A - Item is No Longer Available. Back Assembly, part # 1132831 must be purchased for replacement.

#3 Back Cushion Assembly 16", 18", 20", 22" Wide

Overall Back Height	Material Back Height	16" Wide	18" Wide	20" Wide	22" Wide
25"	20"	1132820-NLA	1132821-NLA	1132822-NLA	1132823-NLA
29"	24"	1132817-NLA	1125641-NLA	1125642-NLA	1132818-NLA

Contoura Back Mounting Hardware

ADJASBA Only For TDX, M71 and M91- Before 5/15/09



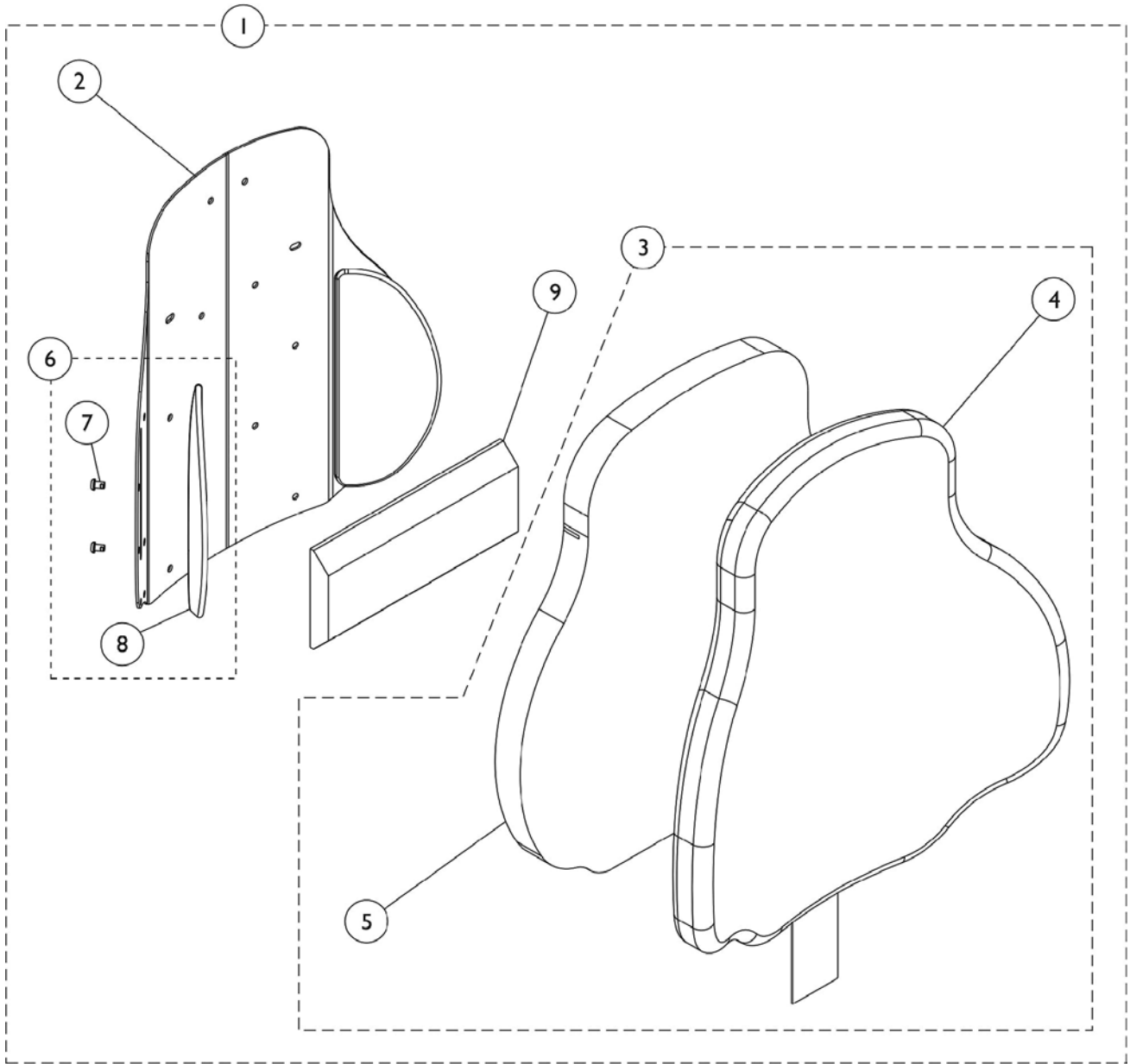
Contoura Back Mounting Hardware

ADJASBA Only For TDX, M71 and M91- Before 5/15/09

Item Number	Note	Part Number	Description	Quantity Per	
				Package	Assembly
1	A	1140945	Kit, Contoura Back Mounting Hdwr. - Round Canes	1	1
2			Bracket, Back Mounting, Front, Black	1	4
3			NLA - Screw, Phillips Oval Head (#10-16 x 7/8")	1	2
4			Screw, Socket Button (1/4-20 x 3/4")	1	8
5			Washer (1/4 x 23/32 x 1/16")	1	8
6			Locknut (1/4-20)	1	8
7			Bracket, Back Mounting, Rear, Black	1	4

NOTE: A - Includes items 2-7

Curve Contoura Back w/o Mounting Hardware - TDX, M71 and M91 - After 5/14/09



Curve Contoura Back w/o Mounting Hardware - TDX, M71 and M91 - After 5/14/09

Item Number	Note	Part Number	Description	Quantity Per	
				Package	Assembly
1	A	See Chart	#1 Curved Contoura Back Kit	1	1
1	A	See Chart	#1 Mesh Curved Contoura Back Kit (CTBMSH)	1	1
3	B	See Chart	#3 Curve Contoura Back Cushion Assembly	1	1
3	B	See Chart	#3 Mesh Curve Contoura Back Cushion Assembly (CTBMSH)	1	1
6	C	1166151	Kit, Lateral Support, Contoura Back (22" H) (Pair)	1	1
			Screw, Socket, Button (1/4-20 x 3/8")	1	4
			Support, Lateral (22" H)	1	2
6	C	1163130-NLA	NLA - Kit, Lateral Support, Contoura Back (25" H) (Pair)	1	1
7			Screw, Socket, Button (1/4-20 x 3/8")	1	4
8			Support, Lateral (25" H)	1	2
6	C	1163131-NLA	NLA - Kit, Lateral Support, Contoura Back (28" H) (Pair)	1	1
7			Screw, Socket, Button (1/4-20 x 3/8")	1	4
8			Support, Lateral (28" H)	1	2
9		1084410-NLA	NLA - Support, Lumbar - Large	1	1

NOTE: A - Includes Items 2 thru 9.
 B - Includes Items 4 and 5. Back Cover and Foam are sold as a Back Cushion Assembly only.
 C - Included Items 7 and 8.

Item #2 is a non-saleable part. Refer to item #1 Kit when ordering.

#1 Curved Contoura Back Kit

Overall Back Height	Material Back Height	16" Wide	18" Wide	20" Wide	22" Wide
22" High	17" High	1165846 See Note(s) A	1165847 See Note(s) A	1165848 See Note(s) A	1165849 See Note(s) A
25" High	20" High	1161480 See Note(s) A	1161482 See Note(s) A	1161484 See Note(s) A	1161486 See Note(s) A
28" High	23" High	1161481 See Note(s) A	1161483 See Note(s) A	1161485 See Note(s) A	1161487 See Note(s) A

NOTE: A - Includes items 2-9
 Overall Back Height includes the spacing gap dimension from the bottom of the Back Assembly to the Seat Pan

#1 Mesh Curved Contoura Back Kit (CTBMSH)

Overall Back Height	Material Back Height	16" Wide	18" Wide	20" Wide	22" Wide

Curve Contoura Back w/o Mounting Hardware - TDX, M71 and M91 - After 5/14/09

#1 Mesh Curved Contoura Back Kit (CTBMSH)

Overall Back Height	Material Back Height	16" Wide	18" Wide	20" Wide	22" Wide
22" High	17" High	1165837 See Note(s) A	1165842 See Note(s) A	1165843 See Note(s) A	1165844 See Note(s) A
25" High	20" High	1164235 See Note(s) A	1164237 See Note(s) A	1164239 See Note(s) A	1164241 See Note(s) A
28" High	23" High	1164236 See Note(s) A	1164238 See Note(s) A	1164240 See Note(s) A	1164242 See Note(s) A
NOTE: A - Includes items 2-9					
Overall Back Height includes the spacing gap dimension from the bottom of the Back Assembly to the Seat Pan					

Curve Contoura Back w/o Mounting Hardware - TDX, M71 and M91 - After 5/14/09

#3 Curve Contoura Back Cushion Assembly

Overall Back Height	Material Back Height	16" Wide	18" Wide	20" Wide	22" Wide
22" High	17" High	1166146 See Note(s) B	1166147 See Note(s) B	1166148 See Note(s) B	1166149 See Note(s) B
25" High	20" High	1163248-NLA See Note(s) B	1163250 See Note(s) B	1163252 See Note(s) B	1163254 See Note(s) B
28" High	23" High	1163249-NLA See Note(s) B	1163251 See Note(s) B	1163253 See Note(s) B	1163255 See Note(s) B

NOTE: B - Includes items 4 and 5. Back Cover and Foam are sold as a Back Cushion Assembly only.

Overall Back Height includes the spacing gap dimension from the bottom of the Back Assembly to the Seat Pan

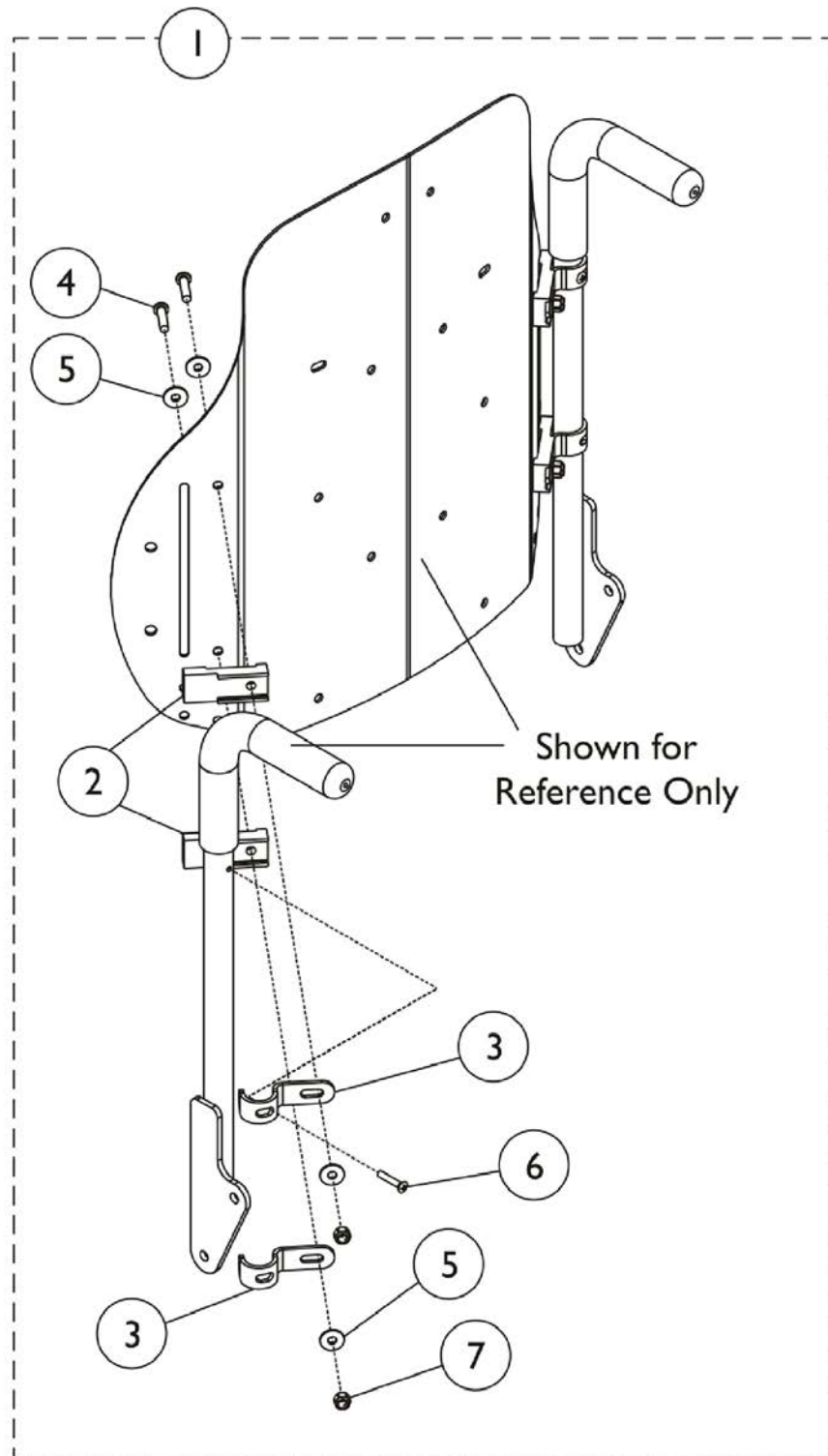
#3 Mesh Curve Contoura Back Cushion Assembly (CTBMSH)

Overall Back Height	Material Back Height	16" Wide	18" Wide	20" Wide	22" Wide
22" High	17" High	1166141 See Note(s) B	1166142 See Note(s) B	1166143 See Note(s) B	1166144 See Note(s) B
25" High	20" High	1171642-NLA See Note(s) B	1171644-NLA See Note(s) B	1171646-NLA See Note(s) B	1171648-NLA See Note(s) B
28" High	23" High	1171643-NLA See Note(s) B	1171645-NLA See Note(s) B	1171647-NLA See Note(s) B	1171649-NLA See Note(s) B

NOTE: B - Includes items 4 and 5. Back Cover and Foam are sold as a Back Cushion Assembly only.

Overall Back Height includes the spacing gap dimension from the bottom of the Back Assembly to the Seat Pan

Curve Contoura Mounting Back Hardware - TDX, M71 and M91 - After 5/14/09



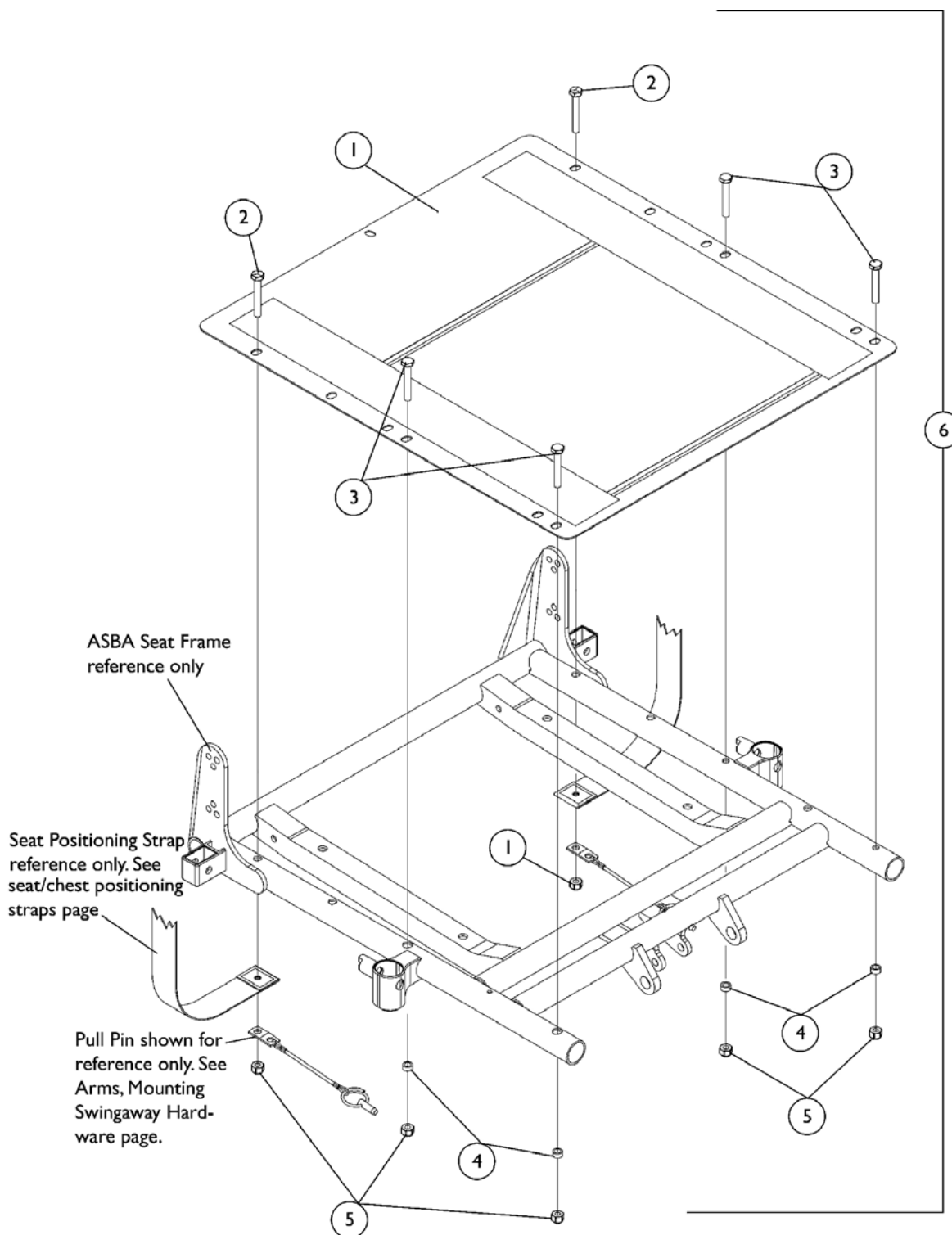
Curve Contoura Mounting Back Hardware - TDX, M71 and M91 - After 5/14/09

Item Number	Note	Part Number	Description	Quantity Per	
				Package	Assembly
1	A	1157925	Kit, Metal Curved and Curve Contoura Back Mounting Hardware	1	1
2			Spacer, Back Pan, Black	1	4
3			Hook, Back Assembly Mounting	1	4
4			Screw, Socket Button Head (1/4-20 x 1")	1	4
5			Washer (1/4 x 23/32 x 1/16")	1	8
6			NLA - Screw, Phillips Oval Head (#10-16 x 7/8")	1	2
7			Locknut (1/4-20)	1	4

NOTE: A - Includes Items 2 thru 7.

Seat Pan & Mounting Hardware

ASBA Seats For (TDX Before 7/5/05) (M71 Before 8/8/05) (M91 Before 10/4/05)



Seat Pan & Mounting Hardware

ASBA Seats For (TDX Before 7/5/05) (M71 Before 8/8/05) (M91 Before 10/4/05)

Item Number	Note	Part Number	Description	Quantity Per	
				Package	Assembly
1		See Chart	#1 Seat Pan and Mounting Hardware - 16"-18" Depth	1	1
1		See Chart	#1 Seat Pan and Mounting Hardware - 19"-22" Depth	1	1
2		1037610	Screw, Hex Head (1/4-20 x 1-5/8")	1	2
3		1030949	Screw, Hex Head (1/4-20 x 1-1/2")	1	4
4		1047449-NLA	NLA - Spacer (1/4 x 3/8 x 3/16")	1	4
5		7930333	Locknut (1/4-20)	25	6
6	A	1070459-NLA	NLA - Kit, Seat Pan Mounting Hardware	1	1
2			Screw, Hex Head (1/4-20 x 1-5/8")	1	2
3			Screw, Hex Head (1/4-20 x 1-1/2")	1	4
4			NLA - Spacer (1/4 x 3/8 x 3/16")	1	4
5			Locknut (1/4-20)	1	6

NOTE: A - Includes items 2-5

#1 Seat Pan 16" Deep - 18" Deep

Chair Width	16" Deep	17" Deep	18" Deep
16" Wide	1066013-NLA	1066024	1066035-NLA
17" Wide	1066014-NLA	1066025-NLA	1066036-NLA
18" Wide	1066015-NLA	1066026	1066037-NLA
19" Wide	1066016-NLA	1066027-NLA	1066038-NLA
20" Wide	1066017-NLA	1066028-NLA	1066039-NLA
21" Wide	1066018-NLA	1066029-NLA	1066040-NLA
22" Wide	1066019-NLA	1066030-NLA	1066041-NLA

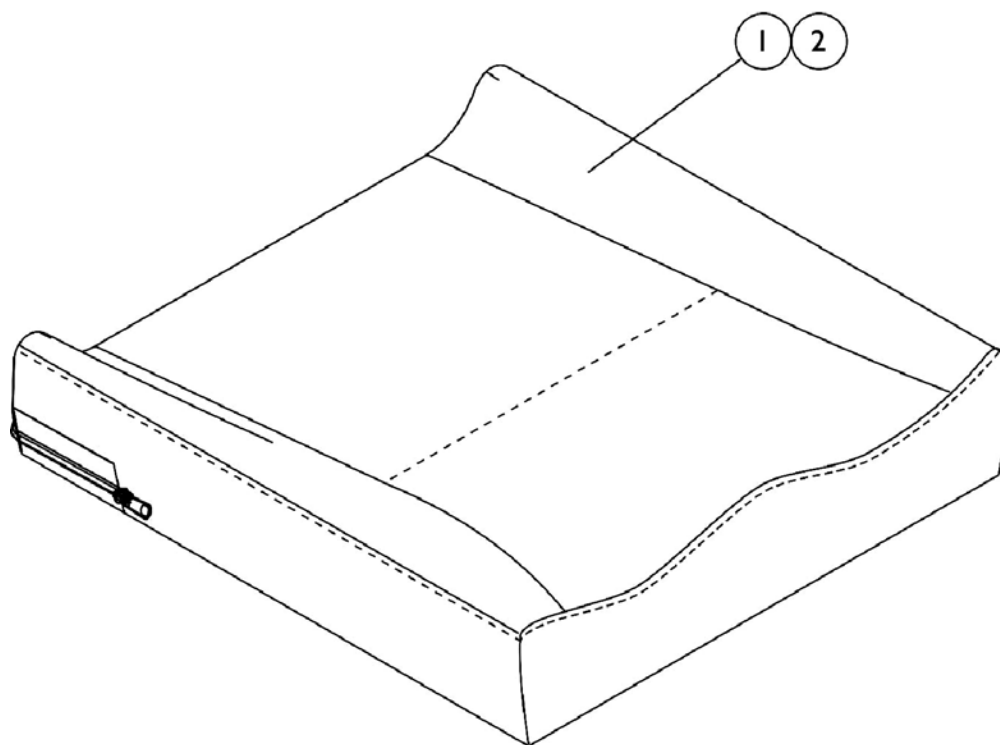
#1 Seat Pan 19" Deep - 22" Deep

Chair Width	19" Deep	20" Deep	21" Deep	22" Deep
16" Wide	1066046-NLA	1066057-NLA	1066068-NLA	1066079-NLA
17" Wide	1066047-NLA	1066058-NLA	1066069-NLA	1066080-NLA
18" Wide	1066048-NLA	1066059-NLA	1066070-NLA	1066081-NLA
19" Wide	1066049-NLA	1066060	1066071-NLA	1066082-NLA
20" Wide	1066050-NLA	1066061-NLA	1066072-NLA	1066083-NLA
21" Wide	1066051-NLA	1066062-NLA	1066073-NLA	1066084-NLA
22" Wide	1066052-NLA	1066063-NLA	1066074-NLA	1066085-NLA

Seat Pan & Mounting Hardware
ASBA Seats For (TDX Before 7/5/05) (M71 Before 8/8/05) (M91 Before 10/4/05)

Seat Cushion Assembly, Contoura

ADJASBA Only For TDX, M71 and M91



#1 Contoura Seat Cushion Assembly

NOTE: To order a Mesh Contoura Seat Cushion Assembly, please use quote # SM-100908010838 when placing your order.

Chair Width	16" Deep	17" Deep	18" Deep	19" Deep	20" Deep	21" Deep	22" Deep
16" Wide	1132982 See Note(s) A	1132983-NLA See Note(s) A	1132984 See Note(s) A	1132985 See Note(s) A	1132986 See Note(s) A	N/A	N/A
18" Wide	1132987 See Note(s) A	1132988-NLA See Note(s) A	1132989 See Note(s) A	1132990 See Note(s) A	1132991 See Note(s) A	N/A	N/A
20" Wide	1132992 See Note(s) A	1132993-NLA See Note(s) A	1132994 See Note(s) A	1132995 See Note(s) A	1132996 See Note(s) A	1132997 See Note(s) A	1132998 See Note(s) A
22" Wide	N/A	N/A	1132999 See Note(s) A	1133000 See Note(s) A	1133001 See Note(s) A	1133002 See Note(s) A	1133003 See Note(s) A

NOTE: A - Cushion Foam is not available separately.

Seat Cushion Assembly, Contoura
ADJASBA Only For TDX, M71 and M91
#2 Contoura Seat Cushion Cover Before 12/16/10

Chair Width	16" Deep	17" Deep	18" Deep	19" Deep	20" Deep	21" Deep	22" Deep
16" Wide	1132953-NLA	1132954-NLA	1132955-NLA	1132956-NLA	1132957-NLA	N/A	N/A
18" Wide	1132958-NLA	1132959-NLA	1132960-NLA	1132961-NLA	1132962-NLA	N/A	N/A
20" Wide	1132963-NLA	1132964-NLA	1132965-NLA	1132966-NLA	1132967-NLA	1132968-NLA	1132969-NLA
22" Wide	N/A	N/A	1132970-NLA	1132971-NLA	1132972-NLA	1132973-NLA	1132974-NLA

Contoura Seat Cushion Covers listed on this chart are No Longer Available. Refer to the Contoura Seat Cushion Covers dated after 12/15/10 as a direct replacement.

Seat Cushion Assembly, Contoura ADJASBA Only For TDX, M71 and M91

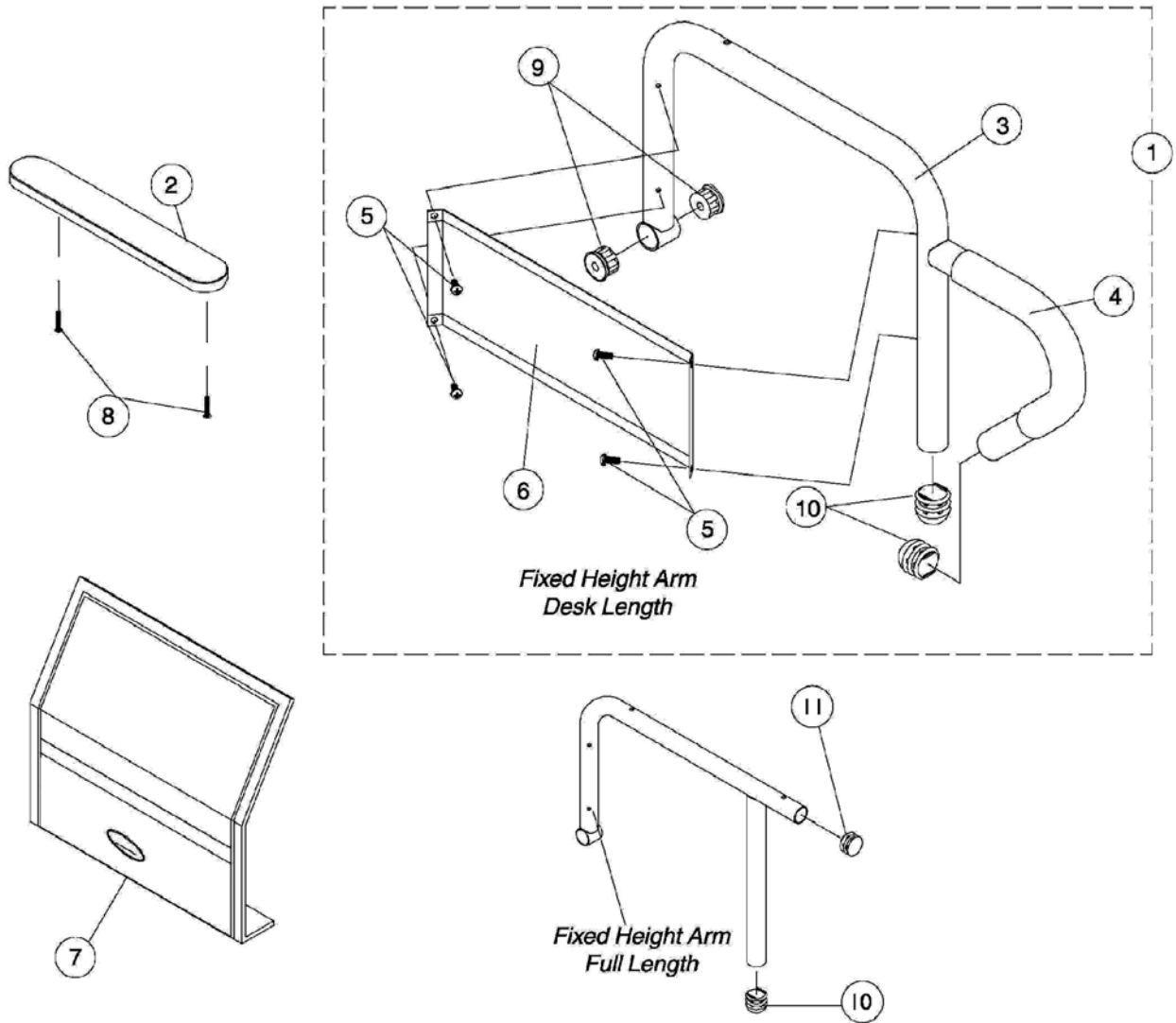
#2 Contoura Seat Cushion Cover After 12/15/10

Chair Width	16" Deep	17" Deep	18" Deep	19" Deep	20" Deep	21" Deep	22" Deep
16" Wide	1167372	1167373-NLA	1167374	1167375	1167376	N/A	N/A
18" Wide	1167377	1167378-NLA	1167379	1167380	1167381	N/A	N/A
20" Wide	1167382	1167383-NLA	1167384	1167385	1167386	1167387	1167388
22" Wide	N/A	N/A	1167389	1167390	1167391	1167392	1167393

#2 Contoura Seat Cushion Cover, Mesh (CTBMSH)

Chair Width	16" Deep	17" Deep	18" Deep	19" Deep	20" Deep	21" Deep	22" Deep
16" Wide	1164208	1164209	1164210	1164211	1164212	N/A	N/A
18" Wide	1164213	1164214	1164215	1164216	1164217	N/A	N/A
20" Wide	1164218	1164219	1164220	1164221	1164222	1164223	1164224
22" Wide	N/A	N/A	1164225	1164226	1164227	1164228	1164229

Fixed Height Arms



Fixed Height Arms

Item Number	Note	Part Number	Description	Quantity Per	
				Package	Assembly
1	B	See Chart	#1 Arms Less Pad - 16"-19" Deep Seat Frames	1	1
1	B	See Chart	#1 Arms Less Pad - 20" and Deeper Seat Frames	1	1
2	A	8881015932-NL A	NLA - Pad, Arm, Vinyl, Full Length - Right (14" L x 2" W)	1	1
2	A	8881015933-NL A	NLA - Pad, Arm, Vinyl, Full Length - Left (14" L x 2" W)	1	1
2	A	8881011811-NL A	NLA - Pad, Arm, Vinyl, Desk Length (9" L x 2" W)	1	1
3		1068564	Tube, Arm, Desk Length, Black - Right (16-19" D)	1	1
3		1068565-NLA	NLA - Tube, Arm, Desk Length, Black - Left (16-19" D)	1	1
3	B	1068414-NLA	NLA - Tube, Arm, Desk Length, Long, Black - Right (20" and Deeper)	1	1
3	B	1068415-NLA	NLA - Tube, Arm, Desk Length, Long, Black - Left (20" and Deeper)	1	1
3		1068490	Tube, Arm, Full Length, Black - Right (16-19"D)	1	1
3		1068491-NLA	NLA - Tube, Arm, Full Length, Black - Left (16 - 19"D)	1	1
3	B	1068473-NLA	NLA - Tube, Arm, Full Length, Long, Black - Right (20" and Deeper)	1	1
3	B	1068474-NLA	NLA - Tube, Arm, Full Length, Long, Black - Left (20" and Deeper)	1	1
4		1032244	Grip, Foam Hand (9" L)	1	1
5		1025729	Screw, Phillips Pan Head Tap (#8-32 x 3/8")	1	4
6		1035472-NLA	NLA - Guard, Clothing, Desk Length	1	1
6		1044572-NLA	NLA - Guard, Clothing, Full Length (16 - 19" D)	1	1
6	B	1044005-NLA	NLA - Guard, Clothing, Full Length (20" and Deeper)	1	1
7		1035065	Cover, Clothing Guard w/ Pocket, FXDESK & ADJFULL/ADJDESK	1	1
7	B	1044588	Cover, Clothing Guard with Pocket Fixed Height Full Length (20" and Deeper)	1	1
8		1055949	Package, Screw, Phillips Pan Head (#10-32 x 1-3/8")	2	1
9		1065936	Plug, Pivot	1	2
10		1067734	Plug Button, Black (5/8")	1	2
11		1027095	Plug Button, Black (7/8")	1	1

NOTE: A - Specify U67 black upholstery color when ordering.
B - The ADJASBA seat frame for 19-22" depths must use the 16-19" deep arms only.

#1 Arms Less Pads

16"-19" Deep Seat Frames

Arm Style	Right	Left
Desk Length	1068566-NLA	1068567-NLA
Full Length	1068559-NLA	1068560-NLA

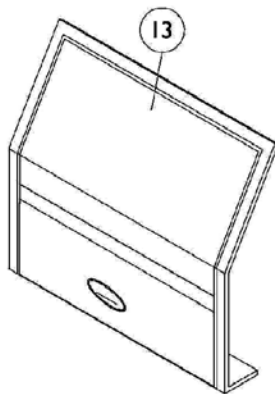
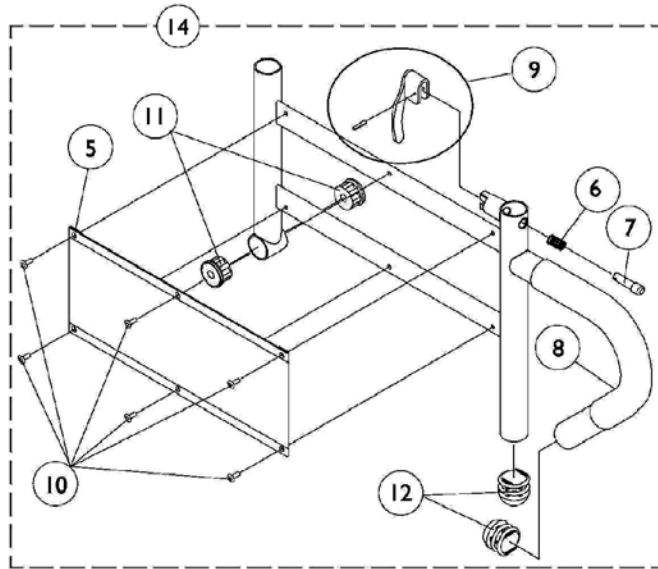
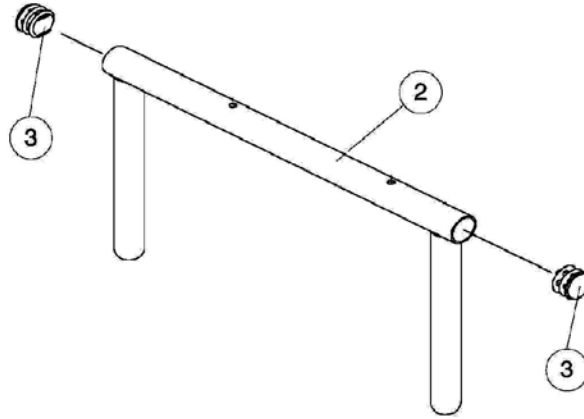
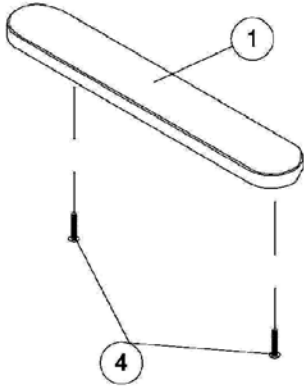
Fixed Height Arms

#1 Arms Less Pad

20" and Deeper Seat Frames

Arm Style	Right	Left
Desk Length	1068540-NLA	1068541-NLA
Full Length	1068528-NLA	1068529-NLA

Adjustable Height Arms

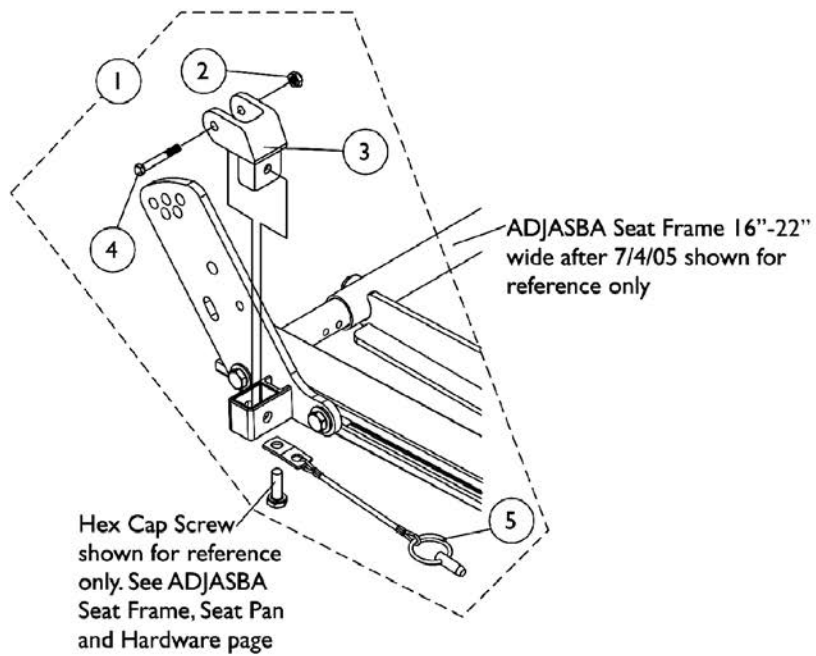
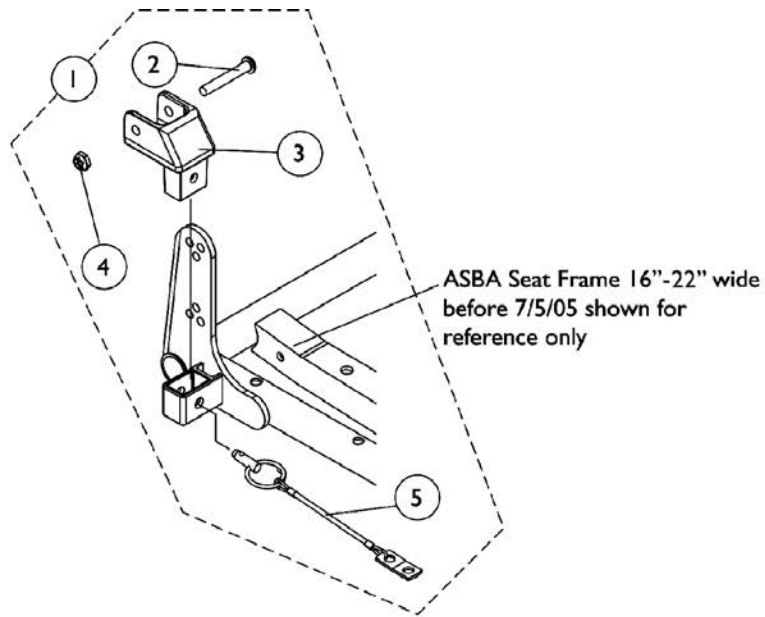


Adjustable Height Arms

Item Number	Note	Part Number	Description	Quantity Per	
				Package	Assembly
1	A	8881015932-NL A	NLA - Pad, Arm, Vinyl, Full Length - Right (14" L x 2" W)	1	1
1	A	8881015933-NL A	NLA - Pad, Arm, Vinyl, Full Length - Left (14" L x 2" W)	1	1
1	A	8881011811-NL A	NLA - Pad, Arm, Vinyl, Desk Length (9" L x 2" W)	1	1
2		1071253	Arm Tube Assembly w/ Plug Buttons, Full Length, Black - Right/Left	1	1
2		1070859	Arm Tube Assembly w/ Plug Buttons, Desk Length, Black - Right/Left	1	1
3		1027095	Plug Button, Black (7/8")	1	2
4		1055949	Package, Screw, Phillips Pan Head (#10-32 x 1-3/8")	2	1
5		1064130-NLA	NLA - Guard, Clothing	1	1
6		47471X074	Spring, Arm Lock	1	1
7		1028594	Pin, Arm Lock, Black	1	1
8		1032244	Grip, Foam Hand (9" L)	1	1
9		1090768	Kit, Lock Handle w/Rivets (Pair)	2	1
10		1028645	Rivet	1	6
11		1065936	Plug, Pivot	1	2
12		1067734	Plug Button, Black (5/8")	1	2
13		1035065	Cover, Clothing Guard w/ Pocket, FXDESK & ADJFULL/ADJDESK	1	1
14		1068416	Arm Base Assembly, Black - Right (16-19" D)	1	1
14		1068417	Arm Base Assembly, Black - Left (16-19" D)	1	1
14	B	1068418	Arm Base Assembly, Black - Right (20" and Deeper)	1	1
14	B	1068419	Arm Base Assembly, Black - Left (20" and Deeper)	1	1

NOTE: A - Specify U67 black upholstery color when ordering.
 B - The ADJASBA seat frame for 19-22" depths must use the 16-19" deep arms only.

Arm Mounting Swingaway Hardware



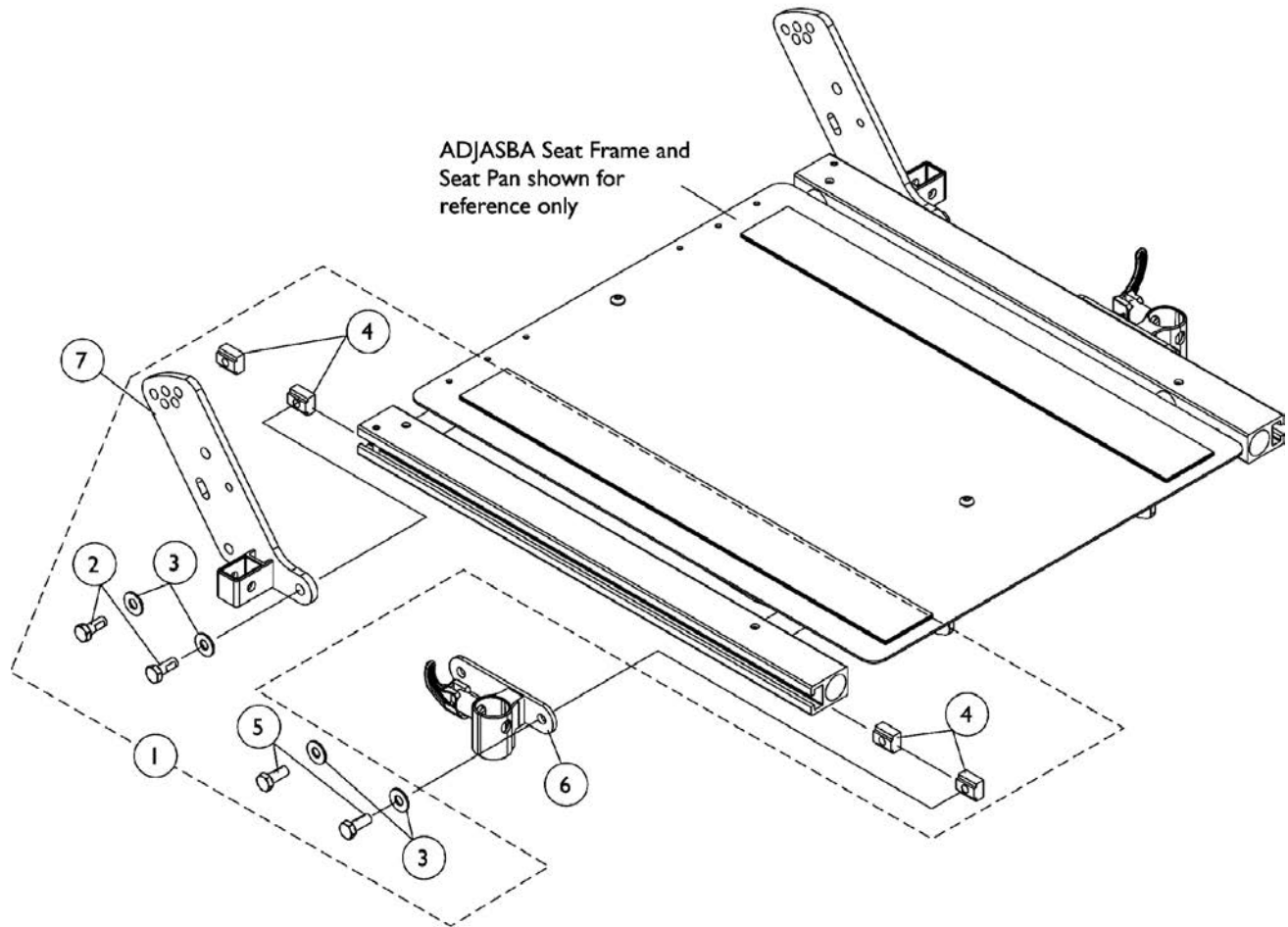
Arm Mounting Swingaway Hardware

Item Number	Note	Part Number	Description	Quantity Per	
				Package	Assembly
1	A	1068488	Kit, Swingaway Armrest Mounting Hardware	1	1
2		1019590	Screw, Socket Button Head (1/4-20 x 1-5/8")	1	1
3		1068025	Clevis, Pivot	1	1
4		1025195	Locknut (1/4-20)	1	1
5		1068039	Pin, Pull	1	1

NOTE: A - Includes items 2-5

Front/Rear Arm Socket Assembly and Hardware

ADJASBA Seat For (TDX After 7/4/05) (M71 After 8/7/05) (M91 After 10/3/05)



Front/Rear Arm Socket Assembly and Hardware

ADJASBA Seat For (TDX After 7/4/05) (M71 After 8/7/05) (M91 After 10/3/05)

Item Number	Note	Part Number	Description	Quantity Per	
				Package	Assembly
1	A	1125734	Kit, Front/Rear Arm Socket Assembly Mounting Hardware	1	1
2			Screw, Hex Head w/ Patch (5/16-18 x 3/4")	1	2
3			Washer, Steel (5/16 x 3/4 x 1/16")	1	4
4			T-Nut (5/16-18)	1	4
5			Screw, Hex Head w/ Patch (5/16-18 x 5/8")	1	2
6		1122619	Socket, Arm, Front - Right	1	1
6		1122620	Socket, Arm, Front - Left	1	1
7		1125478	Bracket, Arm Socket/Cane, Rear - Right	1	1
7		1125479	Bracket, Arm Socket/Cane, Rear - Left	1	1

NOTE: A - Includes items 2-5

Front Riggings Reference Chart

PHW93, 70NHD, AT5544 (For TDX)

NOTE: Calf pads with attaching hardware not included on legrest.

NOTE: Pivot/Slide tube attaching hardware not included.

NOTE: Pivot/ Slide tube and footplates do not include heel loops, see Footrest and Legrest Accessories page.

1651 = Composite footplate with 9-7/8" curved pivot/slide tube.
AT5543 = Adjustable angle footplate with 9-7/8" straight pivot/slide tube.
1350 = Extra large footplate with "L" style pivot/slide tube.

Support Assemblies For AT5544, 70NHD, PHW93

Rigging Type	PHW93	70NHD	AT5544
Right	8881126089	8881053149	8881045291
See Note(s) A	See Note(s) A	See Note(s) A	See Note(s) A
Left	8881126090	8881053148	8881045292
	See Note(s) A	See Note(s) A	See Note(s) A

NOTE: A - Specify frame color when ordering, see page titled "Packaging, Literature, Frame Finishes and Touch-Up Paint For TDX".

Pivot/Slide Tube and Footplates For AT5544, 70NHD, PHW93

Footplate Type	1651 16" Wide	1651 17-22" Wide	1350 17-22" Wide	AT5543 16-22" Wide
Right	1057869	1057879	1026395	1062756
Left	1057870	1057880	1026396	1062757
Right 2" Longer	1057871	1057881	1086515	1062760
Left 2" Longer	1057872	1057882	1086517	1062761
Right 4" Longer	1058421	1058423	1086516	1121140
Left 4" Longer	1058422	1058424	1086518	1121141

Front Riggings Reference Chart PHW93 (For M71 and M91)

NOTE: Calf pads with attaching hardware not included on legrest.

NOTE: Pivot/Slide tube attaching hardware not included.

**NOTE: Pivot/ Slide tube and footplates do not include heel loops,
see Footrest and Legrest Accessories page.**

1651 = Composite footplate with 9-7/8" curved pivot/slide tube.
1350 = Extra large footplate with "L" style pivot/slide tube.
AT5543 = Adjustable angle footplate with 9-7/8" straight pivot/slide tube.
1650 = Standard Aluminum Footplate with "L" style pivot/slide tube
1450 = Deluxe aluminum footplate with "L" style pivot/slide tube

Support Assemblies For PHW93

Rigging Type	PHW93 (Black)
Right	1114755
Left	1114756

Front Riggings Reference Chart PHW93 (For M71 and M91)

Pivot/Slide Tube and Footplates For AT5544, 70NHD, PHW93

Footplate Type	1651 16" Wide	1651 17-22" Wide	1350 17-22" Wide	AT5543 16-22" Wide	1650 16-22" Wide	1450 16-22" Wide
Right	1057869	1057879	1026395	1062756	1074149	1074151-NLA
Left	1057870	1057880	1026396	1062757	1074150	1074152-NLA
Right 2" Longer	1057871	1057881	1086515	1062760	1086494-NLA	N/A
Left 2" Longer	1057872	1057882	1086517	1062761	1086497-NLA	N/A
Right 4" Longer	1058421	1058423	1086516	1121140	1086495-NLA	N/A
Left 4" Longer	1058422	1058424	1086518	1121141	1086498-NLA	N/A

Front Riggings Reference Chart

PHAL4A

NOTE: Calf pads with attaching hardware not included on legrest.

NOTE: Pivot/ Slide tube attaching hardware not included.

NOTE: Pivot/ Slide tube and footplates do not include heel loops, see Footrest and Legrest Accessories page.

1650 = Aluminum footplate with "L" style pivot/slide tube.
1350 = Extra large footplate with "L" style pivot/slide tube.
1450 = Deluxe aluminum footplate with "L" style pivot/slide tube

Support Assembly For PHAL4A

Rigging Type	PHAL4A (Chrome Only)
Right	1031437-NLA
Left	1031438-NLA

Pivot/Slide Tube and Footplates For PHAL4A

Footplate Type	1650 16-22" Wide	1350 17-22" Wide	1450 16-22" Wide
Right	1023907	1035456	1023924-NLA See Note(s) A
Left	1023908	1035457	1023925-NLA See Note(s) A

NOTE: A - Option for the Pronto Series only

Front Riggings Reference Chart PH904A (For M71 and M91)

NOTE: Calf pads with attaching hardware not included on legrest.

NOTE: Pivot/Slide tube attaching hardware not included.

**NOTE: Pivot/ Slide tube and footplates do not include heel loops,
see Footrest and Legrest Accessories page.**

1650 = Aluminum footplate with "L" style pivot/slide tube.
1350 = Extra large footplate with "L" style pivot/slide tube.
1450 = Deluxe aluminum footplate with "L" style pivot/slide tube

Support Assembly For PH904A

Rigging Type	PH904A (Black)
Right	8881114757 See Note(s) A
Left	8881114758 See Note(s) A

NOTE: A - Specify frame finish color 34P Flat Black when ordering PH904A support assemblies

Pivot/Slide Tube and Footplates For PH904A

Footplate Type	1650 16-22" Wide	1350 17-22" Wide	1450 16-22" Wide
Right	1058604	1058830	1028723-NLA
Left	1058605	1058831	1028724-NLA
Right 2" Longer	1086529-NLA	1086541-NLA	N/A
Left 2" Longer	1086531-NLA	1086551-NLA	N/A
Right 4" Longer	1086530-NLA	1086542-NLA	N/A
Left 4" Longer	1086532-NLA	1086552-NLA	N/A

Front Riggings Reference Chart

70STAPER (For TDX)

NOTE: Pivot/Slide tube attaching hardware not included.
NOTE: Pivot/Slide tube and footplates do not include heel loops,
see Footrest and Legrest Accessories page.

1651 = Composite footplate with 9-7/8" curved pivot/slide tube.

Support Assemblies For 70STAPER

Rigging Type	70STAPER (Color)
Right	8881026996 See Note(s) A
Left	8881026997 See Note(s) A

NOTE: A - Specify frame color when ordering, see page titled "Packaging, Literature, Frame Finishes and Touch-Up Paint For TDX".

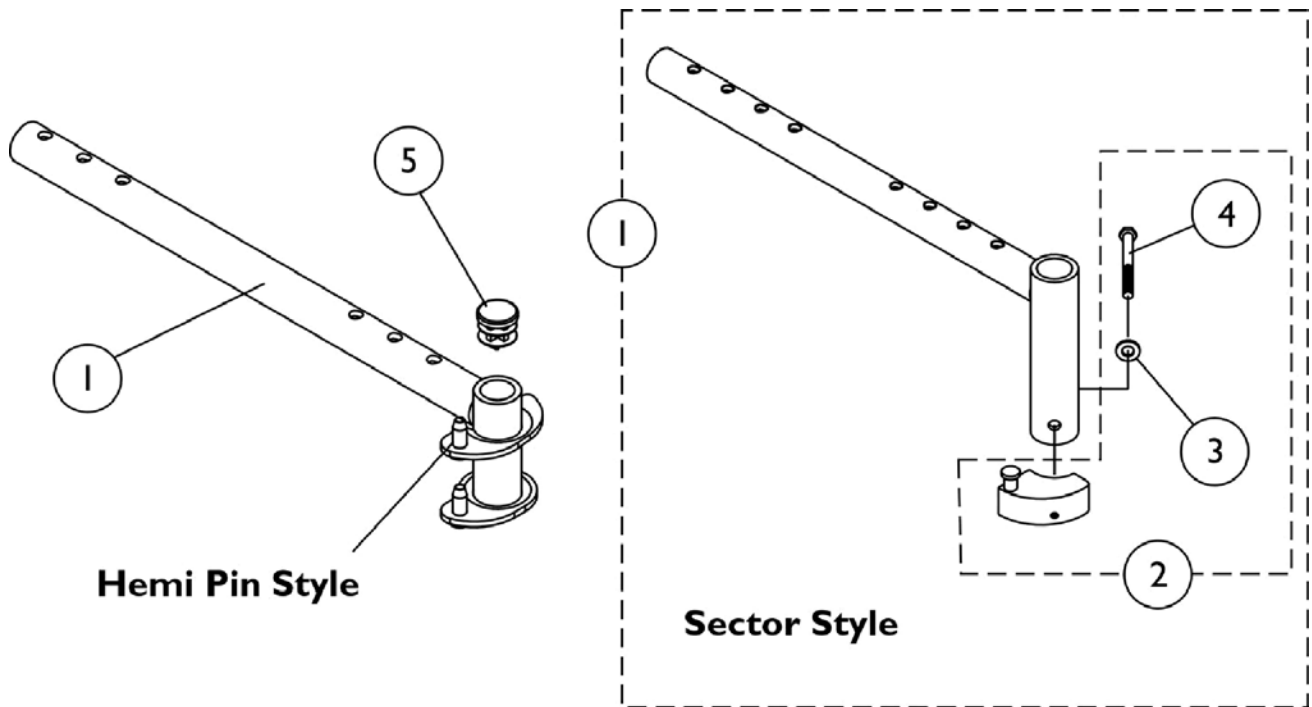
Pivot/Slide Tube and Footplates For 70STAPER

Footplate Type	1651 16-17" Wide	1651 18-19" Wide	1651 20-22" Wide
Right	1057859	1057869	1057879
Left	1057860	1057870	1057880
Right 2" Longer	1057861	1057871	1057881
Left 2" Longer	1057862-NLA	1057872	1057882

Front Rigging Hanger Assembly

ASBA Seat For (TDX Before 7/5/05) (M71 Before 8/8/05) (M91 Before 10/4/05)

NOTE: Front rigging hangers and seat pans share the same mounting hardware, see Seat Pan and Mounting Hardware page.



Front Rigging Hanger Assembly

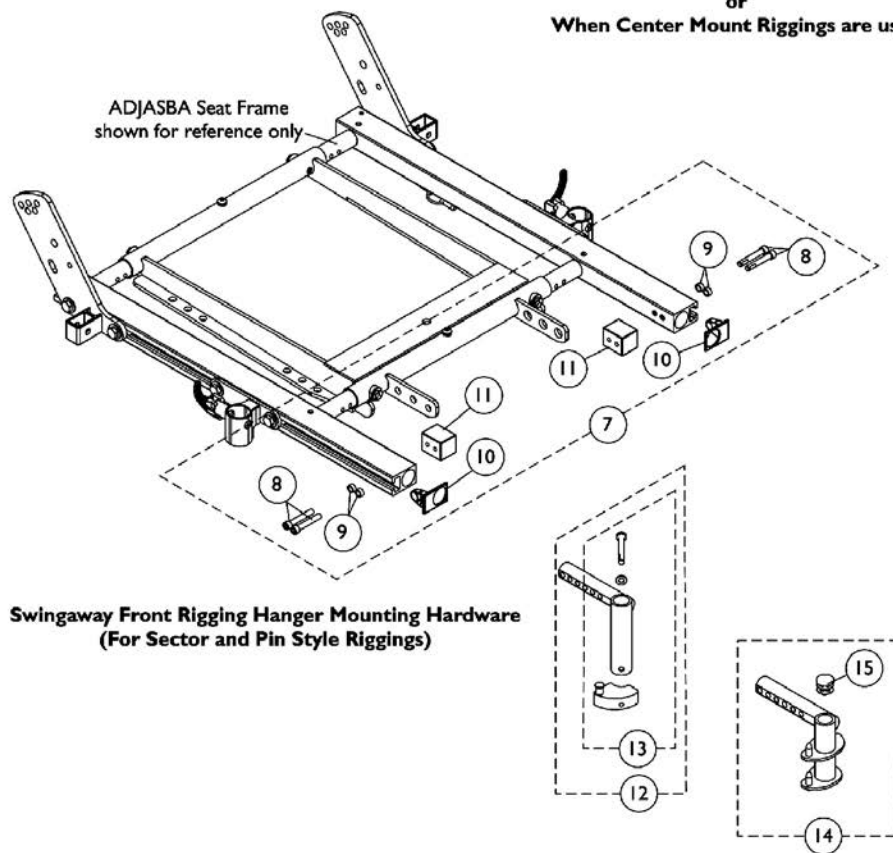
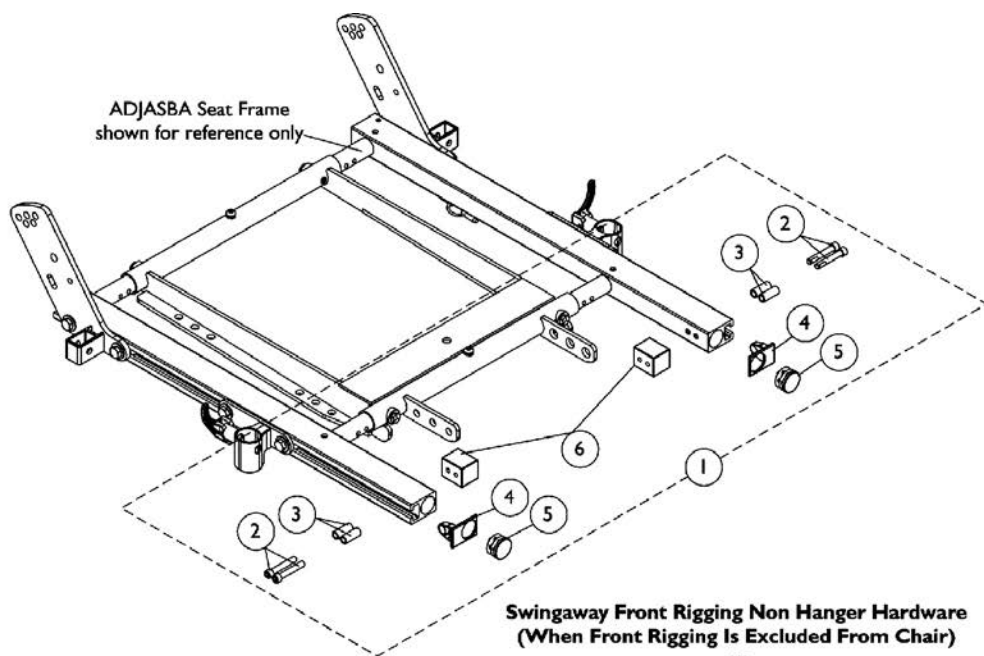
ASBA Seat For (TDX Before 7/5/05) (M71 Before 8/8/05) (M91 Before 10/4/05)

NOTE: Front rigging hangers and seat pans share the same mounting hardware, see Seat Pan and Mounting Hardware page.

Item Number	Note	Part Number	Description	Quantity Per	
				Package	Assembly
1	A	1068435	Front Rigging Hanger Assembly w/ Sector Block, Black - Right (12 - 21" D)	1	1
1	A	1068436	Front Rigging Hanger Assembly w/ Sector Block, Black - Left (12 - 21" D)	1	1
1	A	1068437-NLA	NLA - Front Rigging Hanger Assembly w/ Sector Block, Black - Right (22" D)	1	1
1	A	1068438-NLA	NLA - Front Rigging Hanger Assembly w/ Sector Block, Black - Left (22" D)	1	1
1	B	1114766	Front Rigging Hanger Assembly w/ Plug Button, Pin Style, Hemi, Black - Right (12 - 21" D)	1	1
1	B	1114767	Front Rigging Hanger Assembly w/ Plug Button, Pin Style, Hemi, Black - Left (12 - 21" D)	1	1
1	B	1132339-NLA	NLA - Front Rigging Hanger Assembly w/ Plug Button, Pin Style, Hemi, Black - Right (22" D)	1	1
1	B	1132340-NLA	NLA - Front Rigging Hanger Assembly w/ Plug Button, Pin Style, Hemi, Black - Left (22" D)	1	1
2	C	1054571	Kit, Sector Block - Right	1	1
2	C	1054572	Kit, Sector Block - Left	1	1
3		1026907	Washer (1/4 x 1/2 x 1/16")	1	1
4		1052957	Screw, Hex Head w/ Patch (1/4-20 x 2")	1	1
5		1134426	Package, Plug Button, Black (3/4")	10	1
NOTE: A - Includes front rigging hanger and item 2 B - Includes front rigging hanger and item 5 C - Includes sector block assembly and items 3-4					

Front Rigging Hangers and Hardware

ADJASBA Seat For (TDX After 7/4/05) (M71 After 8/7/05) (M91 After 10/3/05)

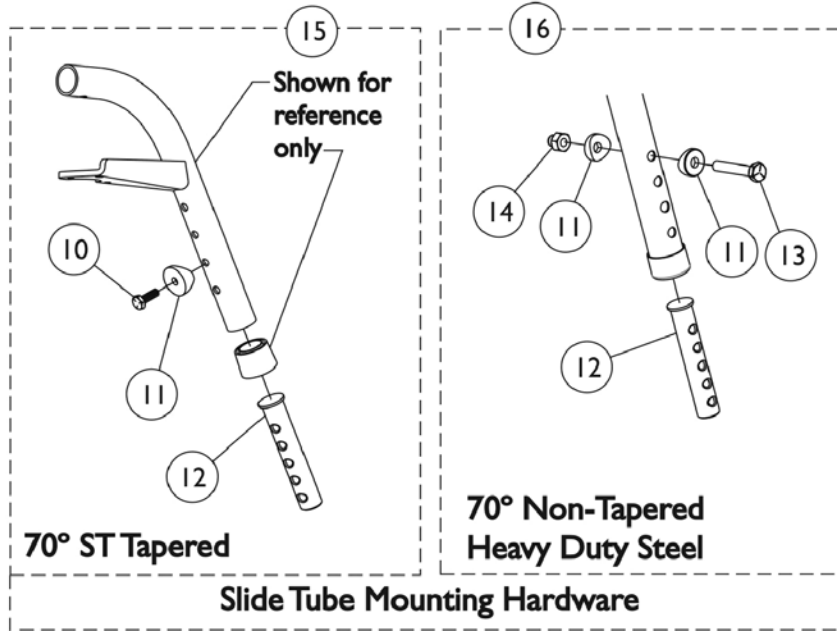
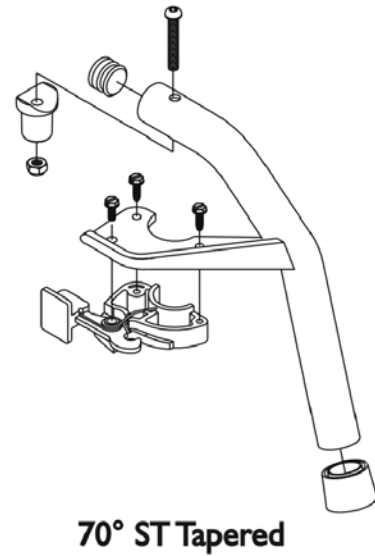
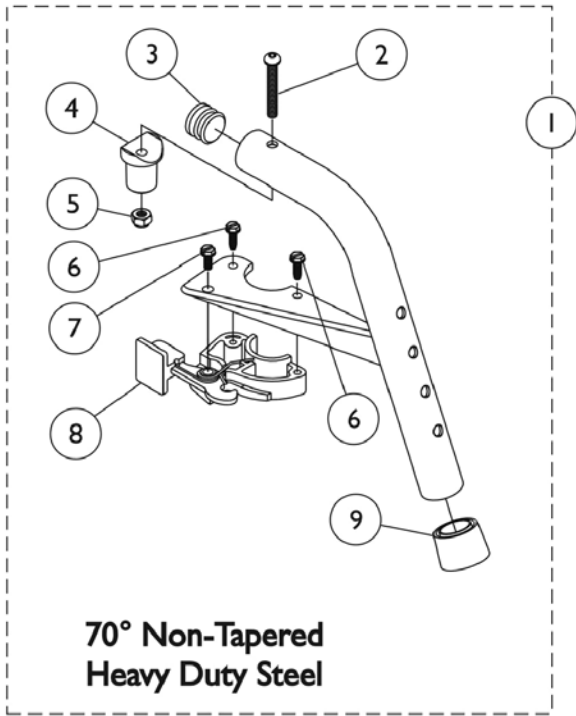


Front Rigging Hangers and Hardware

ADJASBA Seat For (TDX After 7/4/05) (M71 After 8/7/05) (M91 After 10/3/05)

Item Number	Note	Part Number	Description	Quantity Per	
				Package	Assembly
1	A	1124723	Kit, Side Rail Cap Hardware (Pair)	1	1
2			Screw, Socket Head Cap w/ Patch (1/4-20 x 1-1/2")	1	4
3			Spacer (1/4 x 3/8 x 29/32")	1	4
4			Cap, End, Side Rail, Black	1	2
5			Plug Button, Black (1")	1	2
6			Block, Threaded	1	2
7	B	1125726	Kit, Front Rigging Hanger Mounting Hardware (Pair)	1	1
8			Screw, Socket Head Cap w/ Patch (1/4-20 x 1-1/2")	1	4
9			NLA - Spacer (1/4 x 3/8 x 3/16")	1	4
10			Cap, End, Side Rail, Black	1	2
11			Block, Threaded	1	2
12	C	1122602	Front Rigging Hanger Assembly w/ Sector Block, Black - Right	1	1
12	C	1122603	Front Rigging Hanger Assembly w/ Sector Block, Black - Left	1	1
13	D	1054571	Kit, Sector Block - Right	1	1
13	D	1054572	Kit, Sector Block - Left	1	1
14		1124401	Front Rigging Hanger Assembly w/ Plug Button, Pin Style, Hemi, Black - Right	1	1
14		1124402	Front Rigging Hanger Assembly w/ Plug Button, Pin Style, Hemi, Black - Left	1	1
15		1134426	Package, Plug Button, Black (3/4")	10	1
NOTE: A - Includes items 2-6 B - Includes items 8-11 C - Includes item 13 D - Includes Sector Block, Screw and Washer					

70NHD, 70STAPER Footrest Supports (Color) Sector Style

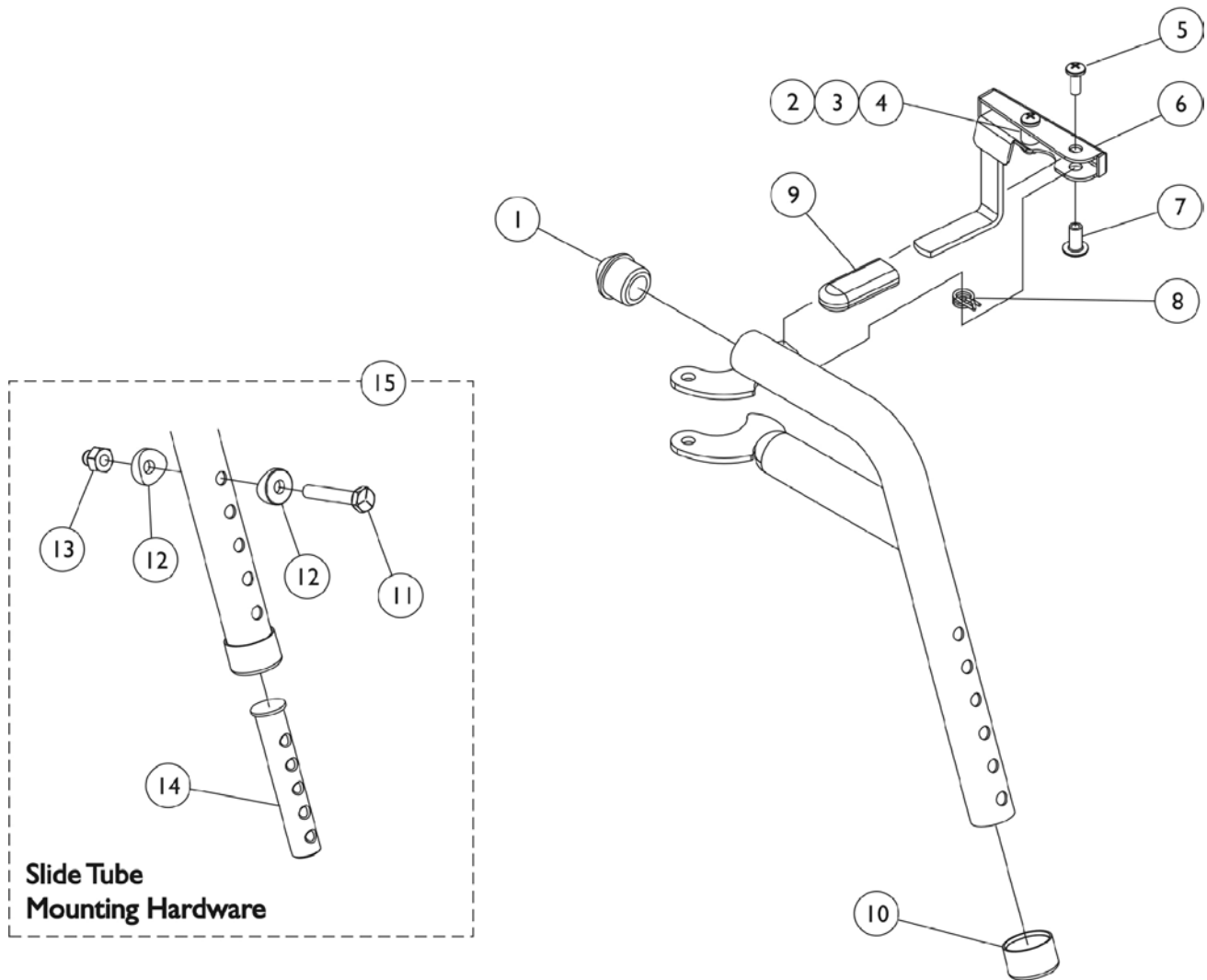


70NHD, 70STAPER Footrest Supports (Color) Sector Style

Item Number	Note	Part Number	Description	Quantity Per	
				Package	Assembly
1	A,C	8881053149	Footrest Support Assembly, 70 Degree Non-Tapered Heavy Duty, Sector, Color - Right	1	1
1	A,C	8881053148	Footrest Support Assembly, 70 Degree Non-Tapered Heavy Duty, Sector, Color - Left	1	1
1	A,D	8881026996	Footrest Support Assembly, 70 Degree Tapered, Sector, Color - Right	1	1
1	A,D	8881026997	Footrest Support Assembly, 70 Degree, Tapered, Sector, Color - Left	1	1
2		1001762	Screw, Socket Button Head (1/4-20 x 1-3/4")	1	1
3	F	1029501	Plug Button, Black (1")	1	1
3	F	1056328	Plug Button, Black (1")	1	1
4		1017148	Pivot, Footrest	1	1
5		1025736	Locknut (1/4-20)	1	1
6		1025451	Screw, Slotted Hex Washer Head (#10-32 x 5/8")	1	2
7		1017423	Screw, Slotted Hex Washer Head w/ Patch (#10-32 x 1/2")	1	1
8		1025454	Housing, Latch - Right	1	1
8		1025455	Housing, Latch - Left	1	1
9		1026124	Collar, Anti-Rattle	1	1
10		1045267	Screw, Hex Head w/ Patch (1/4-20 x 3/4")	1	1
11	B	1026099	Spacer, Coved (1/4 x 11/16 x 1/2")	1	1
12	E	1020534	Insert, Threaded	1	1
13		1070759	Screw, Hex Head (1/4-20 x 1-1/2")	1	1
14		1044214	Nut, Hex with Nylon Cap (1/4-20)	1	1
15		1026703	Kit, Pivot/Slide Tube Mounting Hardware (Pair)	1	1
16		1057846	Kit, Pivot/Slide Tube Mounting Hardware (Pair)	1	1

NOTE: A - Specify frame color when ordering. See page titled "Packaging, Literature, Frame Finishes and Touch-Up Paint For TDX".
 B - Item 16 takes 2
 C - Uses Item Number 3, Plug button 1029501
 D - Uses Item Number 3, Plug button 1056328
 E - As of 8/15/03, the Threaded Insert was revised from 3 to 5 Holes. Threaded Insert is Backward Compatible and does not require ordering in Pairs.
 F - See item #1 footnote C or D for Front Rigging Plug Button usage.

PHW93 (Hemi) Footrest Supports (Pin Style)

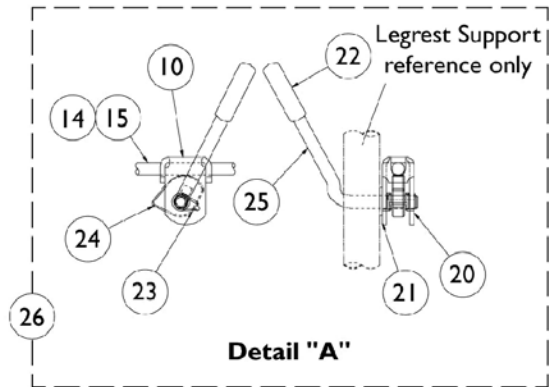
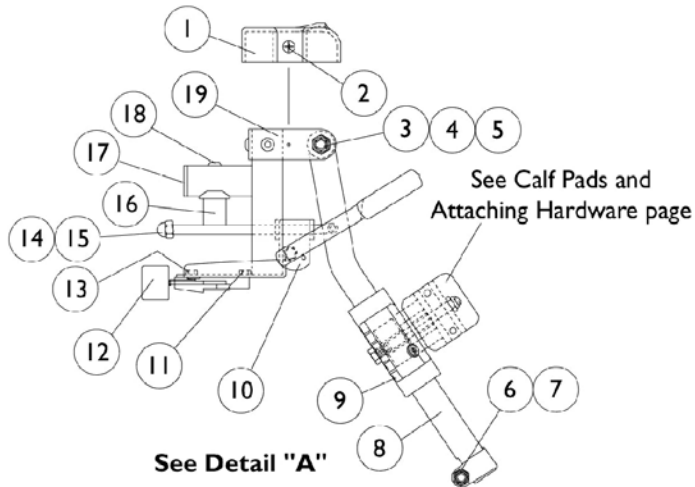


PHW93 (Hemi) Footrest Supports (Pin Style)

Item Number	Note	Part Number	Description	Quantity Per	
				Package	Assembly
1		1020719	Anti-Rattle, Black	1	1
2		1025716	Screw, Phillips Pan Head (#10-32 x 11/16")	1	1
3		47565X057	Bushing (7/32 x 3/8 x 11/32")	1	1
4		1025735	Locknut (#10-32)	1	1
5		1026114	Screw, Phillips Pan Head (#10-32 x 1/2")	1	1
6	A	1114749-NLA	NLA - Handle, Release, Black - Right	1	1
6	A	1114750-NLA	NLA - Handle, Release, Black - Left	1	1
7		1028846-NLA	NLA - Rivnut (#10-32)	1	1
8		1028707	Spring, Release - Right	1	1
8		1028708	Spring, Release - Left	1	1
9		1006490	Tip, Plastic, Black	1	1
10		15680X012	Collar, Anti-Rattle (7/8")	1	1
11		1070759	Screw, Hex Head (1/4-20 x 1-1/2")	1	1
12		1026099	Spacer, Coved (1/4 x 11/16 x 1/2")	1	2
13		1044214	Nut, Hex with Nylon Cap (1/4-20)	1	1
14	E	1020534	Insert, Threaded	1	1
15		1074143	Kit, Slide Tube Mounting Hardware	1	1
	B,C	8881126089	Footrest Support Assembly, Hemi, Color - Right	1	1
	B,C	8881126090	Footrest Support Assembly, Hemi, Color - Left	1	1
	D	1114755	Footrest Support Assembly, Hemi, Black - Right	1	1
	D	1114756	Footrest Support Assembly, Hemi, Black - Left	1	1

NOTE: A - Includes items 2-4
 B - Specify frame color when ordering, See page titled "Packaging, Literature, Frame Finishes and Touch-Up Paint For TDX".
 C - For TDX models
 D - For Pronto M71/M91 models
 E - As of 8/15/03, the Threaded Insert was revised from 3 to 5 Holes. Threaded Insert is Backward Compatible and does not require ordering in Pairs.

AT5544 Legrest Supports (Color) Sector Style



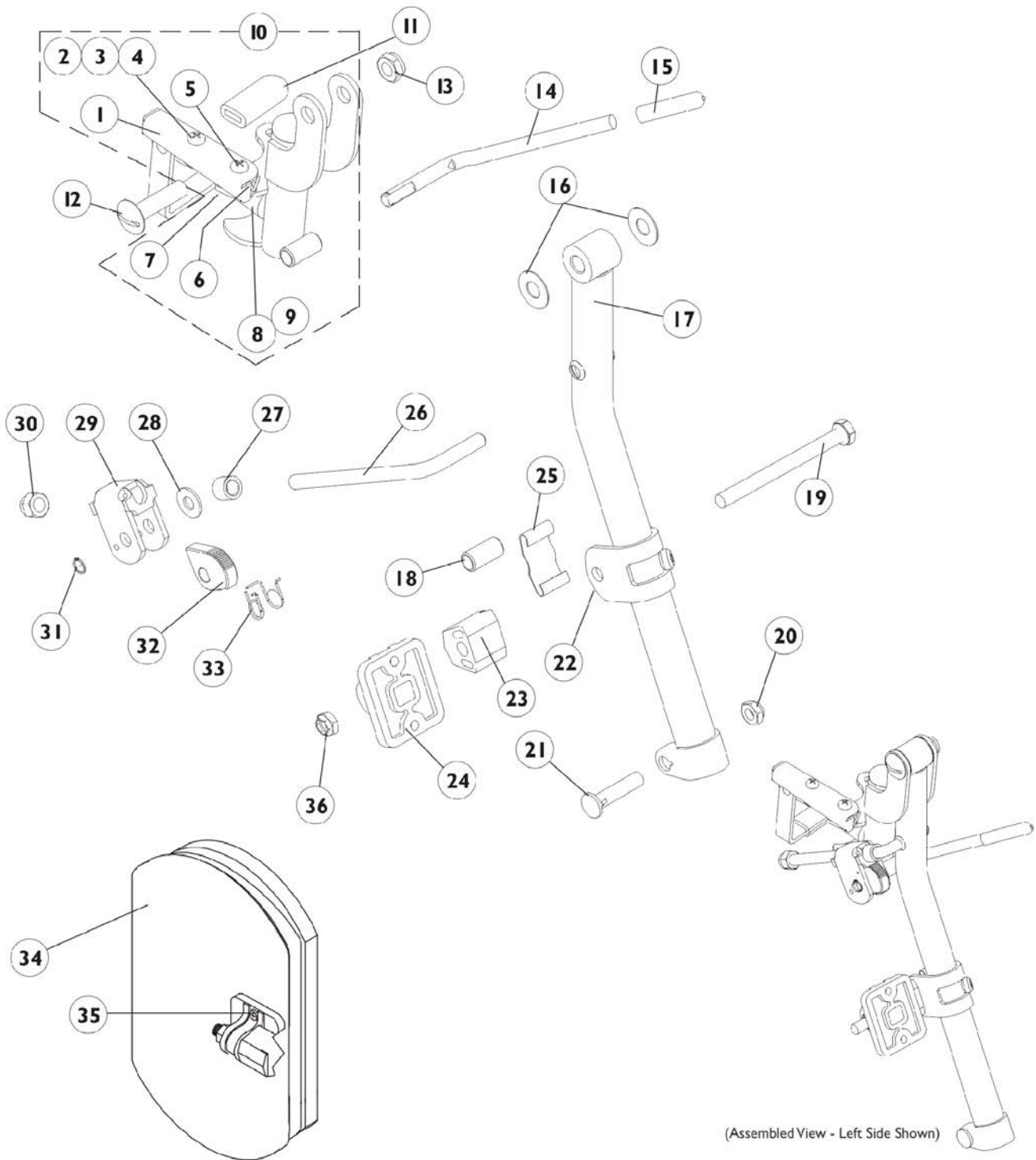
AT5544 Legrest Supports (Color) Sector Style

Item Number	Note	Part Number	Description	Quantity Per	
				Package	Assembly
1		1017187	Cover, Top	1	1
2		1028529	Screw, Phillips Pan Head (#8-32 x 3/8")	1	2
3		40363X000	Hex Nut (3/8"-16)	1	1
4		1058636-NLA	NLA - Washer, Nylon (25/64 x 7/8 x 1/32")	1	2
5		11919X000-NLA	NLA - Screw, Slotted Truss Head (3/8-16 x 1-1/2")	1	1
6		7930330-NLA	NLA - Locknut (5/16-24)	25	3
7		1026030	Bolt, Lug (5/16-24 x 1-3/8")	1	1
8		1043556-NLA	NLA - Tube, Elevating Adjustable Support, Black - Right	1	1
8		1043557-NLA	NLA - Tube, Elevating Adjustable Support, Black - Left	1	1
8	A	8881048851	Tube, Elevating Adjustable Support, Color - Right	1	1
8	A	8881048852	Tube, Elevating Adjustable Support, Color - Left	1	1
9		1032266	Bracket, Legrest Pad Mounting, Black	1	1
10		04528X002	Bracket, Release, Black	1	1
11		1025451	Screw, Slotted Hex Washer Head (#10-32 x 5/8")	1	2
12		1025454	Housing, Latch - Right	1	1
12		1025455	Housing, Latch - Left	1	1
13		7930314	Package, Screw, Slotted Hex Washer Head (#10-32 x 1/2")	25	1
14		42326X001	Bar, Ratchet	1	1
15		7930336-NLA	NLA - Nut, Acorn (5/16-24)	25	1
16		1017148	Pivot, Footrest	1	1
17		1029501	Plug Button, Black (1")	1	1
18		7930301-NLA	NLA - Package, Button Head Cap Screw (1/4-20 x 1-3/4")	25	1
19	A	8881045289	Bracket, Legrest Support, Color - Right	1	1
19	A	8881045290	Bracket, Legrest Support, Color - Left	1	1
20		1040831	Ring, Snap	1	1
21		7930310-NLA	NLA - Washer, Nylon (5/16 x 11/16 x 1/16")	25	1
22		1040060	Tip, Plastic, Black	1	1
23		1037485	Spring, Release	1	1
24		1037125	Cam, Legrest	1	1
25		1037126	Handle, Release	1	1
26	B	1096974	Kit, Elevating Legrest Ratchet Hardware (Pair)	2	1
	C,D	1096943-NLA	NLA - Instruction Sheet, Ratchet Kit	1	1
	A,C	8881045291	Legrest Support Assembly, Sector, Color - Right	1	1
	A,C	8881045292	Legrest Support Assembly, Sector, Color - Left	1	1

NOTE: A - Specify frame color when ordering. See page titled "Packaging, Literature, Frame Finishes and Touch-Up Paint For TDX".
 B - Includes items 10, 14, 15 and 20-25
 C - Not Shown
 D - Item is no longer available from the Invacare Service Parts Department. Refer to the Invacare Website under "Product Literature Search". Enter the part number in the "Keywords" field and download a free PDF version copy.

PH904A (Hemi) Legrest Supports

Due to a change to the Legrest Calf Pad size made on 4/23/12, you must also order the hardware kit (1068649) when ordering replacement Calf Pads.



PH904A (Hemi) Legrest Supports

Due to a change to the Legrest Calf Pad size made on 4/23/12, you must also order the hardware kit (1068649) when ordering replacement Calf Pads.

Item Number	Note	Part Number	Description	Quantity Per	
				Package	Assembly
1	D	1114749-NLA	NLA - Handle, Release, Black - Right	1	1
1	D	1114750-NLA	NLA - Handle, Release, Black - Left	1	1
2		1025716	Screw, Phillips Pan Head (#10-32 x 11/16")	1	1
3		47565X057	Bushing (7/32 x 3/8 x 11/32")	1	1
4		1025735	Locknut (#10-32)	1	1
5		1026114	Screw, Phillips Pan Head (#10-32 x 1/2")	1	1
6		1008935	Spring, Release - Right	1	1
6		1008936	Spring, Release - Left	1	1
7		67005X000	Rivnut (#10-32)	1	1
8		1030979	Screw, Phillips Pan Head Tap (#10-32 x 3/4")	1	1
9		1022874	Bumper	1	1
10	E	1114753	Legrest Support Assembly, Black - Right	1	1
10	E	1114754	Legrest Support Assembly, Black - Left	1	1
11		1006490	Tip, Plastic, Black	1	1
12		11919X000-NLA	NLA - Screw, Slotted Truss Head (3/8-16 x 1-1/2")	1	1
13		40363X000	Hex Nut (3/8"-16)	1	1
14		1037126	Handle, Release	1	1
15		1040060	Tip, Plastic, Black	1	1
16		1058636-NLA	NLA - Washer, Nylon (25/64 x 7/8 x 1/32")	1	2
17	A	8881048851	Tube, Elevating Adjustable Support, Color - Right	1	1
17	A	8881048852	Tube, Elevating Adjustable Support, Color - Left	1	1
18		47328X003	Bushing, Pivot (5/16 x 7/16 x 7/8")	1	1
19		1014807	Screw, Hex Head (5/16-24 x 3-1/4")	1	1
20		1107321	Nut, Low Cap (5/16"-24)	1	1
21		1026030	Bolt, Lug (5/16-24 x 1-3/8")	1	1
22		1110207	Bracket, Calf Pad Mounting, Black	1	1
23		1025133	Spacer, Legrest Pad, Black	1	1
24		04526X019	Plate, Legrest Pad	1	1
25		48823X008	Spring, Leaf	1	1
26		1113030	Bar, Ratchet	1	1
27		47330X003	Spacer (5/16 x 1/2 x 3/8")	1	2
28		1013519	Washer, Nylon (5/16 x 11/16 x 1/16")	1	1
29		04528X002	Bracket, Release, Black	1	1
30		10261X000	Nut, Acorn (5/16-24)	1	1
31		1040831	Ring, Snap	1	1
32		1037125	Cam, Legrest	1	1
33		1037485	Spring, Release	1	1
34	B,G	8881091764	Pad, Legrest, Vinyl - Right/Left	1	1
35	F	1068649	Hardware, Legrest Pad	1	1
			Screw, Phillips Pan Head (#10-32 x 11/16")	1	2
			Screw, Phillips Pan Head (#10-32 x 1")	1	2
			Instruction Sheet, Legrest Pad Mtg.	1	1
36		1025730	Locknut (5/16-24)	1	1

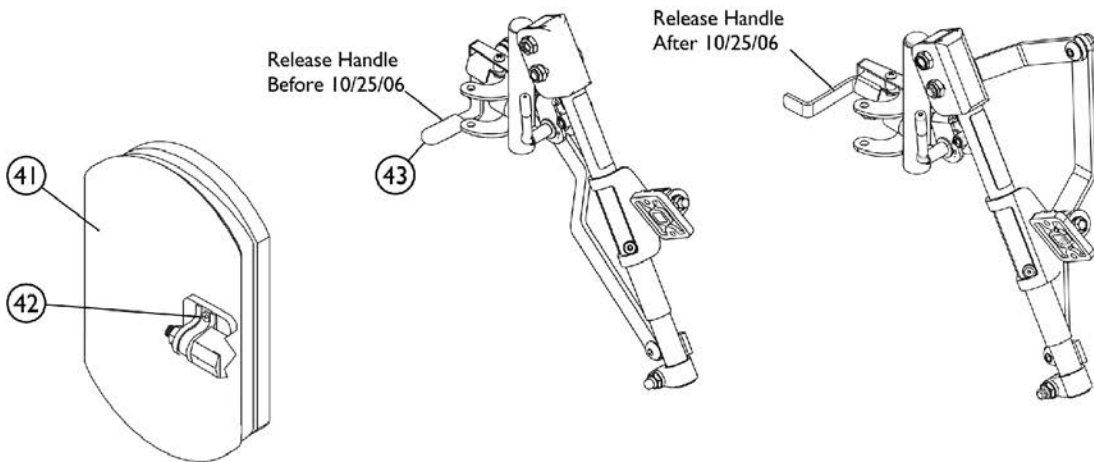
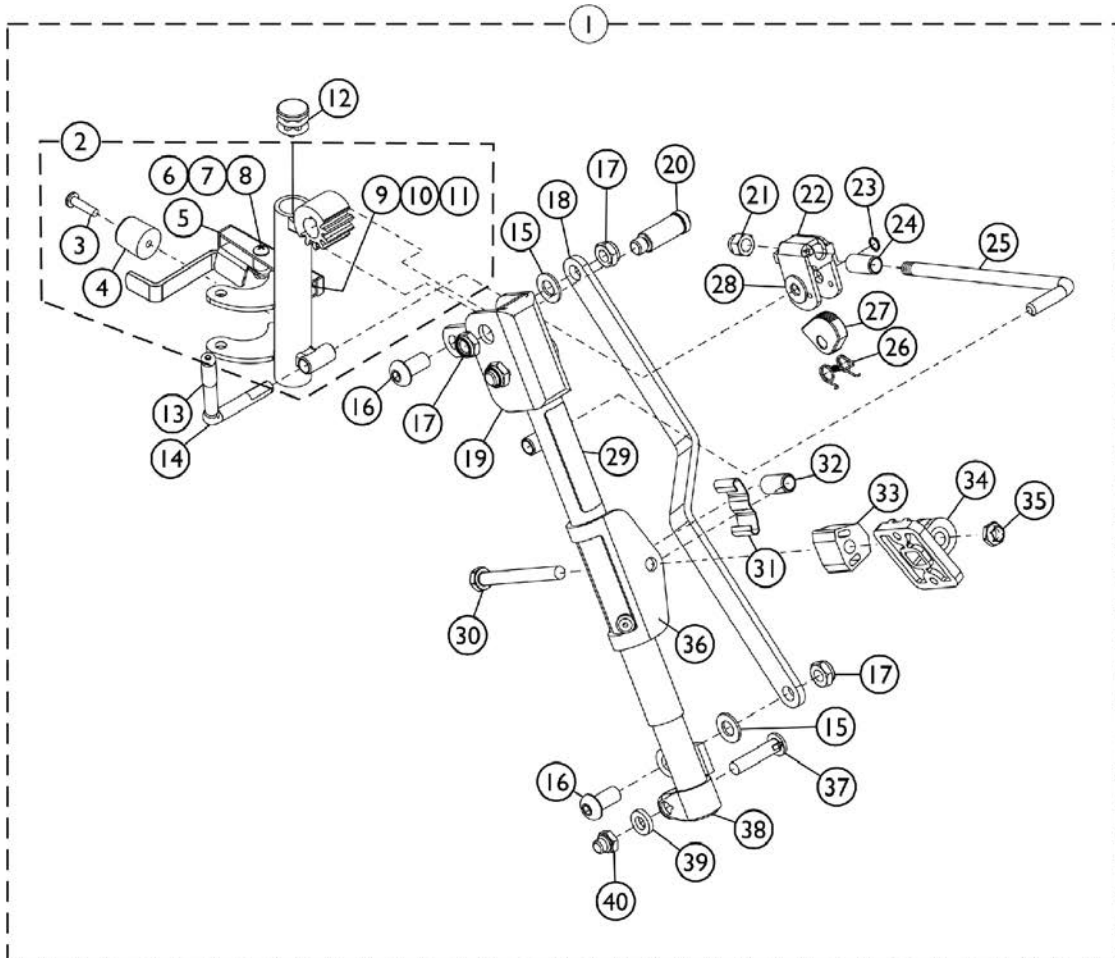
PH904A (Hemi) Legrest Supports

Due to a change to the Legrest Calf Pad size made on 4/23/12, you must also order the hardware kit (1068649) when ordering replacement Calf Pads.

Item Number	Note	Part Number	Description	Quantity Per	
				Package	Assembly
	A,C,H	8881114757	Legrest Support Assembly, Hemi, Color - Right	1	1
	A,C,H	8881114758	Legrest Support Assembly, Hemi, Color - Left	1	1
NOTE: A - Specify 34P flat black frame finish when ordering B - Specify upholstery color U67 black when ordering C - Not Shown D - Includes items 2-4 E - Includes items 1-9 F - Includes Screws and Instruction Sheet. G - Due to a change to the Legrest Calf Pad size made on 4/23/12, you must also order the hardware kit (1068649) when ordering replacement Calf Pads. H - Includes items 1-33 and 36.					

PHAL4A (Hemi) Articulating Legrest Supports Chrome

Due to a change to the Legrest Calf Pad size made on 4/23/12, you must also order the hardware kit (1068649) when ordering replacement Calf Pads.



PHAL4A (Hemi) Articulating Legrest Supports Chrome

Due to a change to the Legrest Calf Pad size made on 4/23/12, you must also order the hardware kit (1068649) when ordering replacement Calf Pads.

Item Number	Note	Part Number	Description	Quantity Per	
				Package	Assembly
1	B,D,D1	1031437-NLA	NLA - Legrest Support Assembly, Articulating, Hemi, Chrome - Right	1	1
1	B,D,D1	1031438-NLA	NLA - Legrest Support Assembly, Articulating, Hemi, Chrome - Left	1	1
2	D,D1,H	1023092-NLA	NLA - Legrest Support Tube Assembly, Hemi, Chrome - Right	1	1
2	D,D1,H	1023093-NLA	NLA - Legrest Support Tube Assembly, Hemi, Chrome - Left	1	1
3		1030979	Screw, Phillips Pan Head Tap (#10-32 x 3/4")	1	1
4		1022874	Bumper	1	1
5	E	1035539	Handle, Release, Black - Right	1	1
5	E	1035540	Handle, Release, Black - Left	1	1
6		47565X057	Bushing (7/32 x 3/8 x 11/32")	1	1
7		60279X003	Locknut (#10-32)	1	1
8		40163X008	Screw, Phillips Pan Head (#10-32 x 11/16")	1	1
9		1008935	Spring, Release - Right	1	1
9		1008936	Spring, Release - Left	1	1
10		67005X000	Rivnut (#10-32)	1	1
11		40163X002	Screw, Phillips Round Head (#10-32 x 1/2")	1	1
12		1027097	Plug Button, Black (3/4")	1	1
13		1040060	Tip, Plastic, Black	1	1
14		1037126	Handle, Release	1	1
15		1049527	Washer, Nylon (3/8 x 3/4 x 1/16")	1	2
16		1022866-NLA	NLA - Screw, Socket Button Head (3/8-16 x 3/4")	1	2
17		40363X000	Hex Nut (3/8"-16)	1	3
18		1022846-NLA	NLA - Bar, Link, Black	1	1
19		1022877-NLA	NLA - Tube, Support and Drive Link, Chrome - Right	1	1
19		1022878-NLA	NLA - Tube, Support and Drive Link, Chrome - Left	1	1
20		1022854-NLA	NLA - Screw, Shoulder Slotted Head (1/2 x 1-1/8", 3/8-16)	1	1
21		10261X000	Nut, Acorn (5/16-24)	1	1
22		04528X002	Bracket, Release, Black	1	1
23		1040831	Ring, Snap	1	1
24		47328X003	Bushing, Pivot (5/16 x 7/16 x 7/8")	1	1
25		42326X004	Bar, Ratchet - Right/Left	1	1
26		1037485	Spring, Release	1	1
27		1037125	Cam, Legrest	1	1
28		1013519	Washer, Nylon (5/16 x 11/16 x 1/16")	1	1
29		1024911-NLA	NLA - Decal, Smartleg	1	1
30		1014807	Screw, Hex Head (5/16-24 x 3-1/4")	1	1
31		48823X008	Spring, Leaf	1	1
32		47328X003	Bushing, Pivot (5/16 x 7/16 x 7/8")	1	1

PHAL4A (Hemi) Articulating Legrest Supports Chrome

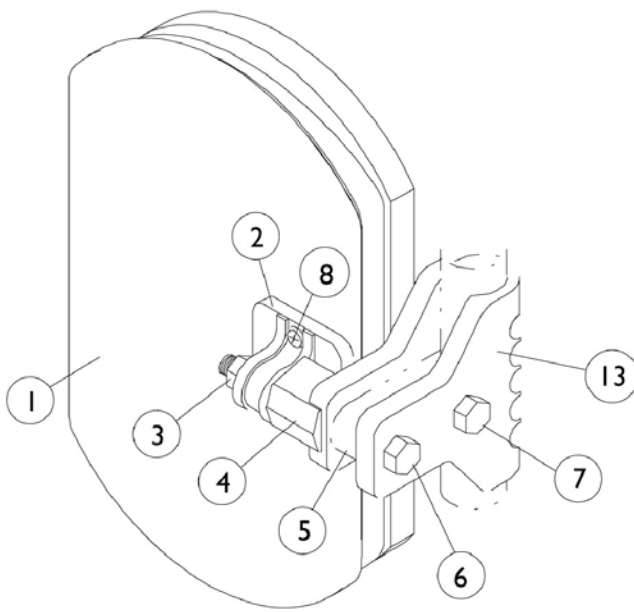
Due to a change to the Legrest Calf Pad size made on 4/23/12, you must also order the hardware kit (1068649) when ordering replacement Calf Pads.

Item Number	Note	Part Number	Description	Quantity Per	
				Package	Assembly
33		1025133	Spacer, Legrest Pad, Black	1	1
34		04526X019	Plate, Legrest Pad	1	1
35		60264X001	Locknut (5/16-24)	1	1
36		1025104	Bracket, Legrest, Chrome	1	1
37		11232X009	Bolt, Lug (5/16-24 x 1-3/8")	1	1
38		1022848	Tube, Slide, Articulating, Chrome - Right	1	1
38		1022849	Tube, Slide, Articulating, Chrome - Left	1	1
39		1027377	Washer (#20)	1	1
40		1107321	Nut, Low Cap (5/16"-24)	1	1
41	A,C,G	8881091764	Pad, Legrest, Vinyl - Right/Left	1	1
42	F	1068649	Hardware, Legrest Pad	1	1
			Screw, Phillips Pan Head (#10-32 x 11/16")	1	2
			Screw, Phillips Pan Head (#10-32 x 1")	1	2
			Instruction Sheet, Legrest Pad Mtg.	1	1
43		1006490	Tip, Plastic, Black	1	1

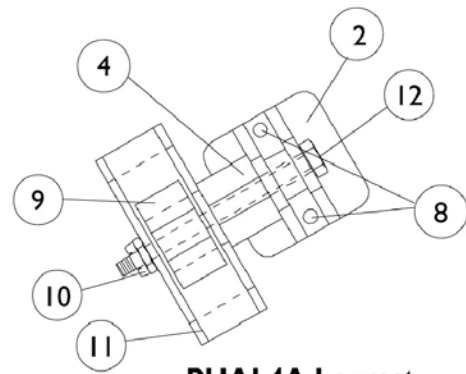
NOTE: A - Specify upholstery color U67 black when ordering.
 B - Includes items 3-40.
 C - For 16" and wider seats.
 D - Release Handle revised 10/25/06. When a complete Legrest Assembly item #1 or a Legrest Support Tube Assembly item #2 is ordered for chairs manufactured before 10/25/06, order the opposite side "Release Handle" item #5 to match.
 D1 - Both Release Handles pictured to identify the difference. Release Handle after 10/24/06 does not require a rubber tip
 E - Release Handle revised 10/25/06. For chairs manufactured before 10/25/06, order in pairs to match.
 F - Includes Screws and Instruction Sheet.
 G - Due to a change to the Legrest Calf Pad size made on 4/23/12, you must also order the hardware kit (1068649) when ordering replacement Calf Pads.
 H - Includes the Legrest Support Tube and items 3-11.

Calf Pads and Attaching Hardware

NOTE: For replacement calf pads for Power Articulating Legrest, see Power Articulating Legrest page. Due to a change to the Legrest Calf Pad size made on 4/23/12, you must also order the hardware kit (1066591) when ordering replacement Calf Pads.



AT5544 Legrest.



PHAL4A Legrest

Calf Pads and Attaching Hardware

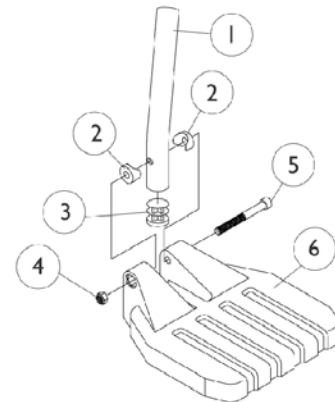
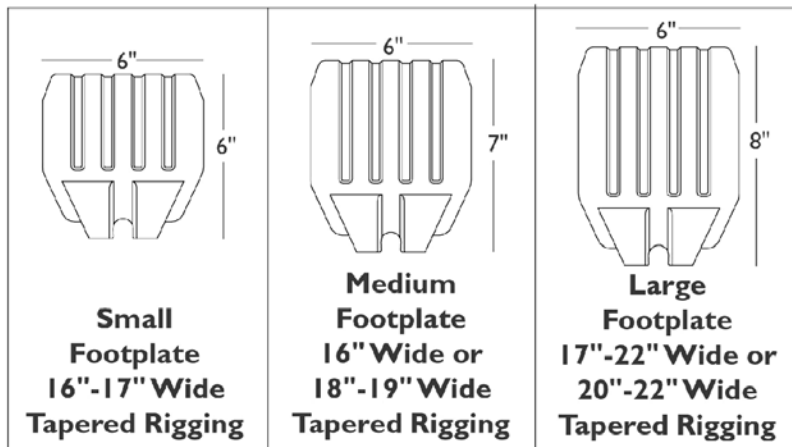
**NOTE: For replacement calf pads for Power Articulating Legrest, see Power Articulating Legrest page.
Due to a change to the Legrest Calf Pad size made on 4/23/12, you must also order the hardware kit (1066591) when ordering replacement Calf Pads.**

Item Number	Note	Part Number	Description	Quantity Per	
				Package	Assembly
1	A,C	8881091759	Pad w/ Cover and Screws, Legrest Vinyl (Pair)	2	1
1	A,C	8881091764	Pad, Legrest, Vinyl - Right/Left	1	1
2		04526X019	Plate, Legrest Pad	1	1
3		7930330-NLA	NLA - Locknut (5/16-24)	25	1
4		1025133	Spacer, Legrest Pad, Black	1	1
5		1032267	Spacer, Legrest Pad Mounting, Black	1	1
6		1037110	Screw, Hex Head (5/16-24 x 3-1/2")	1	1
7		1028514	Screw, Hex Head (5/16-24 x 1-1/2")	1	1
8	B	1066591	Hardware, Legrest Pad	1	1
			Screw, Phillips Pan Head (#10-32 x 11/16")	1	2
			Screw, Phillips Pan Head (#10-32 x 1")	1	2
			Instruction Sheet, Legrest Pad Mtg.	1	1
9		48823X008	Spring, Leaf	1	1
10		7930363-NLA	NLA - Package, Locknut (5/16"-24)	25	2
11		1025104	Bracket, Legrest, Chrome	1	1
12		1014807	Screw, Hex Head (5/16-24 x 3-1/4")	1	1
13		1032266	Bracket, Legrest Pad Mounting, Black	1	1

NOTE: A - Specify upholstery color. See page titled "Frame Finishes, Touch-Up Paints and Upholstery Options".
B - Includes Screws and Instruction Sheet.
C - Due to a change to the Legrest Calf Pad size made on 4/23/12, you must also order the hardware kit (1066591) when ordering replacement Calf Pads.

Pivot Tube w/ Footplate Assemblies - 1651 Composite

NOTE: Heel Loops are not included. See Footrest and Legrest Accessories page.
 NOTE: For complete pivot/slide tube and footplate assemblies, see Front Riggings Reference Charts



Pivot Tube w/ Footplate Assemblies - 1651 Composite

NOTE: Heel Loops are not included. See Footrest and Legrest Accessories page.

NOTE: For complete pivot/slide tube and footplate assemblies, see Front Riggings Reference Charts

Item Number	Note	Part Number	Description	Quantity Per	
				Package	Assembly
1		1057852	Tube, Pivot/Slide, Curved End, Steel, Black (9-7/8")	1	1
1		1057854	Tube, Pivot/Slide, Curved End, 2" Longer, Steel, Black	1	1
1		1058418	Tube, Pivot/Slide, Curved End, 4" Longer, Steel, Black	1	1
2		1025457	Spacer, Coved (1/4 x 3/4 x 1 1/32")	1	2
3		1027097	Plug Button, Black (3/4")	1	1
4		7930323-NLA	NLA - Package, Locknut (1/4-20)	25	1
5		7930366	Package, Socket Head Screw (1/4-20 x 2-1/4")	25	1
6	A	1026879	Footplate, Composite, Small, Black (6" W x 6" L)	1	1
6	B	1026880	Footplate, Composite, Medium, Black (7" W x 6" L)	1	1
6	C	1026881	Footplate, Composite, Large, Black (8" W x 6" L)	1	1

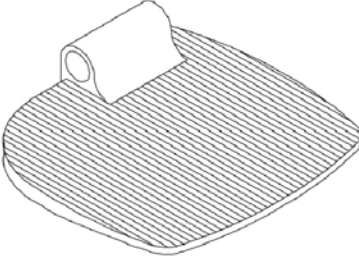
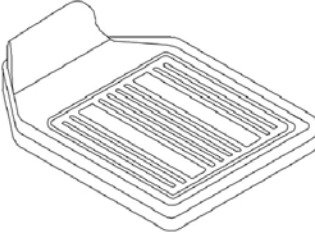
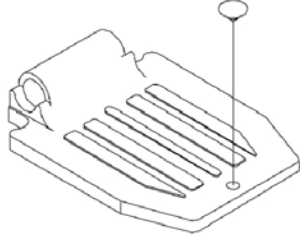
NOTE: A - 16"-17" wide tapered
 B - 16" wide and 18"-19" wide tapered
 C - 17"-22" wide and 20"-22" wide tapered

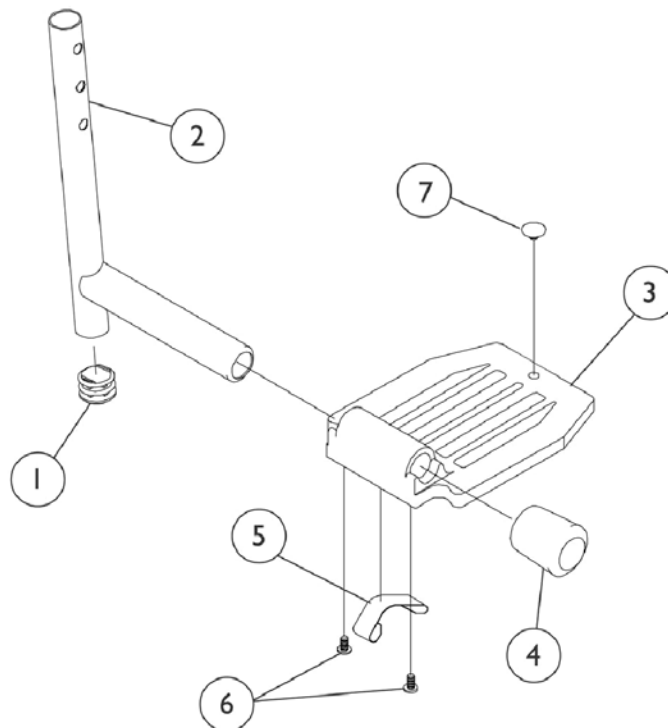
Pivot Tube w/ Footplate Assemblies

1650, 1350, 1450

PHW93, 70NHD and AT5544

Heel loops are not included. See footrest and legrest accessories.
 For complete pivot/slide tube and footplate assemblies, see front riggings reference chart.

		
<p>1350 Extra large</p>	<p>1450 Deluxe</p>	<p>1650 Standard Aluminum</p>



Pivot Tube w/ Footplate Assemblies

1650, 1350, 1450

PHW93, 70NHD and AT5544

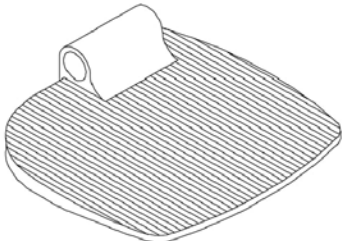
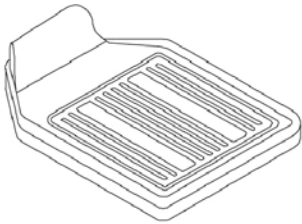
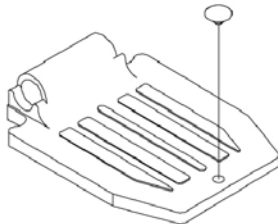
Heel loops are not included. See footrest and legrest accessories.

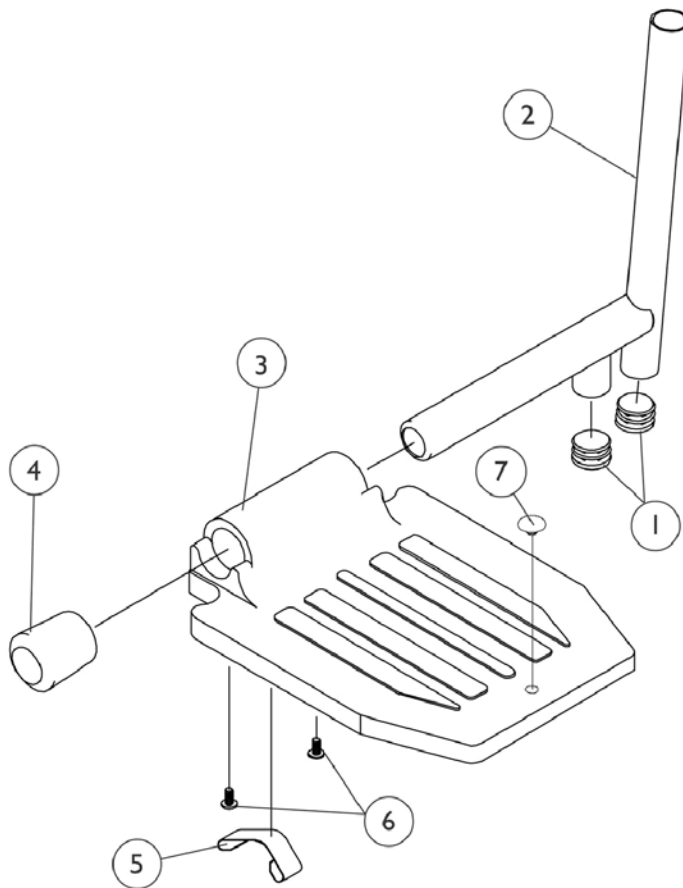
For complete pivot/slide tube and footplate assemblies, see front riggings reference chart.

Item Number	Note	Part Number	Description	Quantity Per	
				Package	Assembly
1		1027097	Plug Button, Black (3/4")	1	2
2	A,C	1048834	Pivot/Slide Tube w/ Plug Button, Black	1	1
2	A,C	1098906	Pivot/Slide Tube w/ Plug Button, Black (2" Longer)	1	1
2	A,C	1086482	Pivot/Slide Tube w/ Plug Button, Black (4" Longer)	1	1
2	B	1070762-NLA	NLA - Tube, Pivot/Slide w/ Plug Button, Deluxe Aluminum, Black	1	1
3	A	44200X027	Footplate, Aluminum, Medium, Black (7-3/4" W x 6" L)	1	1
3	B	1043659-NLA	NLA - Footplate, Aluminum, Deluxe, Black - Right (8" W x 5-3/4" L)	1	1
3	B	1043660-NLA	NLA - Footplate, Aluminum, Deluxe, Black - Left (8" W x 5-3/4" L)	1	1
3	C	44200X025	Footplate, Aluminum, Extra Large, Black - Right (8" W x 8-1/2" L)	1	1
3	C	44200X026	Footplate, Aluminum, Extra Large, Black - Left (8" W x 8-1/2" L)	1	1
4	A	1016346	Cap, End, Tube, Black (7/8")	1	1
4	C	1027095	Plug Button, Black (7/8")	1	1
5	A,D	1006981	Spring, Tension	1	2
5	B,D	1036120-NLA	NLA - Spring	1	2
5	C,F	1036123	Spring, Leaf	1	1
6	E	40120X001	Screw, Phillips Pan Head (#8-32 x 3/8")	1	2
7		1070168	Plug, Push, Footplate	1	1
NOTE: A - Standard Aluminum (1650) B - Deluxe Aluminum (1450) C - Extra Large Aluminum (1350) D - Two per side E - Deluxe takes one F - Use one or more leaf springs per assembly as required such that footplate may be moved by hand to the up-right position and remain in place.					

Pivot Tube w/ Footplate Assemblies - 1650, 1350 and 1450 PH904A and PHAL4A

Heel loops are not included. See footrest and legrest accessories.
For complete pivot/slide tube and footplate assemblies, see front riggings reference chart.

		
<p>1350 Extra large</p>	<p>1450 Deluxe</p>	<p>1650 Standard Aluminum</p>



Pivot Tube w/ Footplate Assemblies - 1650, 1350 and 1450 PH904A and PHAL4A

Heel loops are not included. See footrest and legrest accessories.

For complete pivot/slide tube and footplate assemblies, see front riggings reference chart.

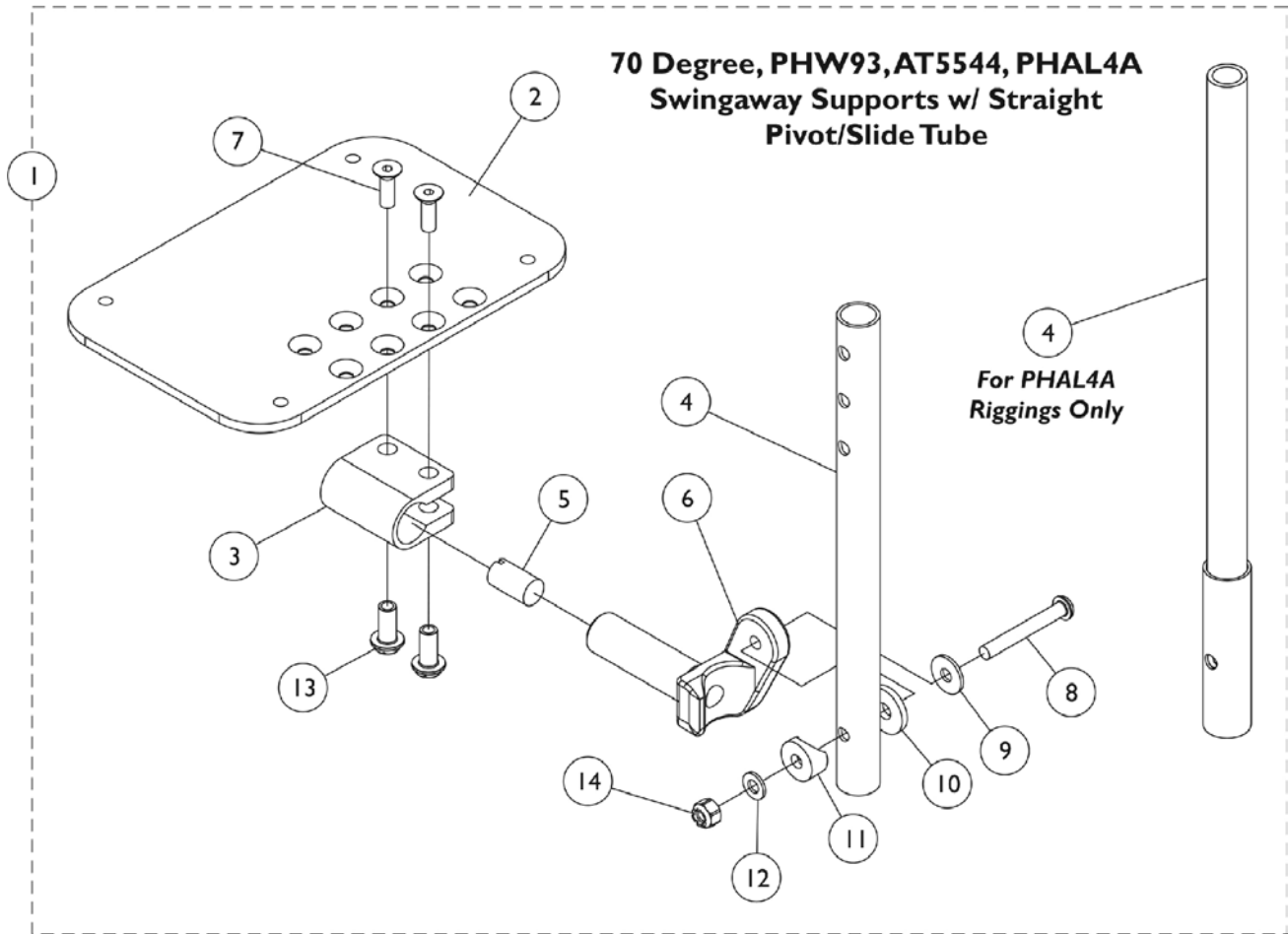
Item Number	Note	Part Number	Description	Quantity Per	
				Package	Assembly
1		1027097	Plug Button, Black (3/4")	1	2
2	D,A,B	1100568-NLA	NLA - Pivot/Slide Tube w/ Plug Button, Black	1	1
2	D,A,B	1100569-NLA	NLA - Pivot/Slide Tube Assembly, Extra Large, Standard Aluminium - 2" Longer, Black	1	1
2	D,A,B	1100570-NLA	NLA - Pivot/Slide Tube w/ Plug Button, Black (4" Longer)	1	1
2	E,A,B	1041526	Pivot/Slide Tube w/ Plug Button Assembly, Chrome	1	1
2	C,D	1100571-NLA	NLA - Pivot/Slide Tube w/ Plug Button, Deluxe, Black	1	1
2	C,E,H	1023804-NLA	NLA - Pivot/Slide Tube w/ Plug Button, Deluxe, Chrome	1	1
3	A	44200X027	Footplate, Aluminum, Medium, Black (7-3/4" W x 6" L)	1	1
3	C	1043659-NLA	NLA - Footplate, Aluminum, Deluxe, Black - Right (8" W x 5-3/4" L)	1	1
3	C	1043660-NLA	NLA - Footplate, Aluminum, Deluxe, Black - Left (8" W x 5-3/4" L)	1	1
3	B	44200X025	Footplate, Aluminum, Extra Large, Black - Right (8" W x 8-1/2" L)	1	1
3	B	44200X026	Footplate, Aluminum, Extra Large, Black - Left (8" W x 8-1/2" L)	1	1
4	A	1016346	Cap, End, Tube, Black (7/8")	1	1
4	B	1027095	Plug Button, Black (7/8")	1	1
5	A	1006981	Spring, Tension	1	1
5	C,F	1036120-NLA	NLA - Spring	1	1
5	I,B	1036123	Spring, Leaf	1	1
6	G	40120X001	Screw, Phillips Pan Head (#8-32 x 3/8")	1	2
7		1070168	Plug, Push, Footplate	1	1

NOTE: A - Standard Aluminum (1650)
 B - Extra Large Aluminum (1350)
 C - Deluxe Aluminum (1450)
 D - PH904A
 E - PHAL4A
 F - Two per side
 G - Deluxe takes one
 H - Part #1023804 is no longer available as a service part individually. See category titled "Front Riggings - Reference Chart - (Hemi) - PHAL4A" and order part #1023924 or 1023925 Pivot/Slide Tube and Footplate Assembly (Deluxe Aluminum - 1450).
 I - Use one or more leaf springs per assembly as required such that footplate may be moved by hand to the up-right position and remain in place.

Adjustable Angle Footplate Assemblies - AT5543

70 Deg., PHW93, AT5544, PHAL4A Swingaway Supports

NOTE: Heel loops are not included. See Footrest and Legrest Accessories page.



Adjustable Angle Footplate Assemblies - AT5543

70 Deg., PHW93, AT5544, PHAL4A Swingaway Supports

NOTE: Heel loops are not included. See Footrest and Legrest Accessories page.

Item Number	Note	Part Number	Description	Quantity Per	
				Package	Assembly
1	A	See Chart	Pivot and Slide Tubes w/ Footplate Assemblies	1	1
2	D	1060426-NLA	NLA - Footplate, Adjustable Angle, Medium, Black (4-1/4" W x 8" L)	1	1
2	C	1113572	Footplate, Adjustable Angle, Medium, Black (4-1/4" W x 8" L)	1	1
2	D	1060427-NLA	NLA - Footplate, Adjustable Angle, Large, Black (5-1/4" W x 8" L)	1	1
2	C	1113573	Footplate, Adjustable Angle, Large, Black (5-1/4" W x 8" L)	1	1
2	D,E	1062569-NLA	NLA - Footplate, Adjustable Angle, Extra Large, Black (6-1/4" W x 8" L)	1	1
2	C	1113574	Footplate, Adjustable Angle, Extra Large, Black (6-1/4" W x 8" L)	1	1
3		1058517	Clamp, Footplate	1	1
4		1057855	Tube, Pivot and Slide, Straight, Steel, Black (9-7/8" L)	1	1
4		1057856	Tube, Pivot/Slide, Straight, Steel, Black (11-7/8" L)	1	1
4		1121135	Tube, Pivot/Slide, Straight, Steel, Black (13-7/8" L)	1	1
4	B	1091745-NLA	NLA - Tube, Pivot/Slide, Straight, Steel, Chrome (13-7/8" L)	1	1
5		1048816	Screw, Nylon Adjustment (1/2-13 x 7/8")	1	1
6		1052102	Hinge, Footplate - Right	1	1
6		1052103	Hinge, Footplate - Left	1	1
7		1029545	Screw, Socket Flat Head (1/4-20 x 3/4")	1	2
8		7930321-NLA	NLA Package, Screw, Socket Button Head (1/4-20 x 1-7/8")	25	1
9		1026900	Washer (1/4 x 23/32 x 1/16")	1	1
10		7930313	Package, Washer, Nylon (5/16 x 7/8 x 1/8")	25	1
11		1025457	Spacer, Coved (1/4 x 3/4 x 11/32")	1	1
12		1026907	Washer (1/4 x 1/2 x 1/16")	1	1
13		1082686	Nut, Barrel, Hex Head (1/4-20 x 11/16")	1	2
14		7930333	Locknut (1/4-20)	25	1

NOTE: A - Includes Items 2 thru 14.
 B - For PHAL4A only.
 C - The footplate design was revised after 9/1/2008 with rounder corners and accessory holes changed from eight to four.
 D - Used before 9/2/08.
 E - Part #1062569 is No Longer Available. Order part #1113574 as a replacement. It is recommended to order in pairs to match.

#1 Pivot/Slide Tube w/ Footplate Assemblies

Rigging Type	70, PHW93, AT5544 (9-7/8" Tube)	70, PHW93, AT5544 (11-7/8" Tube)	70, PHW93, AT5544 (13-7/8" Tube)	PHAL4A (13-7/8" Tube)
--------------	------------------------------------	-------------------------------------	-------------------------------------	--------------------------

Adjustable Angle Footplate Assemblies - AT5543

70 Deg., PHW93, AT5544, PHAL4A Swingaway Supports

NOTE: Heel loops are not included. See Footrest and Legrest Accessories page.

#1 Pivot/Slide Tube w/ Footplate Assemblies

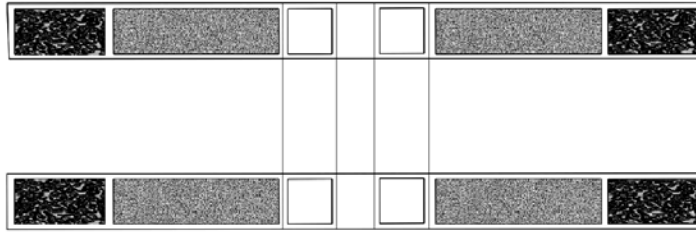
Rigging Type	70, PHW93, AT5544 (9-7/8" Tube)	70, PHW93, AT5544 (11-7/8" Tube)	70, PHW93, AT5544 (13-7/8" Tube)	PHAL4A (13-7/8" Tube)
16-22" W, Right (6-1/4" Footplate)	1062756	1062760	1121140	1091777-NLA
16-22" W, Left (6-1/4" Footplate)	1062757	1062761	1121141	1091778-NLA

Footrest and Legrest Accessories

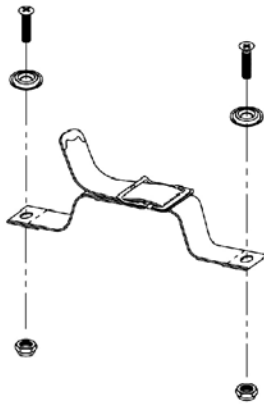
NOTE: Heel loop replacements for Power Articulating Legrest located on the Power Articulating Legrest page.



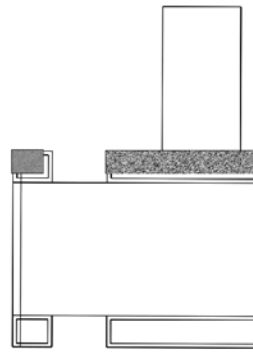
Calf Strap



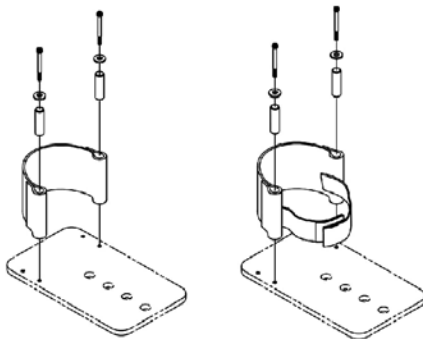
H-Strap



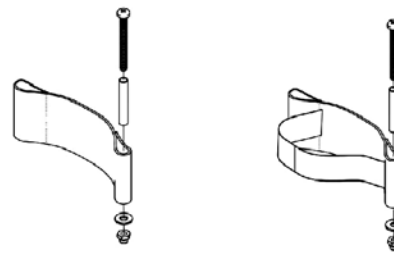
Toe Loops



Impact Guard



For AT5543 Footplates



For I65I, I650, I350 Footplates

Footrest and Legrest Accessories

NOTE: Heel loop replacements for Power Articulating Legrest located on the Power Articulating Legrest page.

Item Number	Note	Part Number	Description	Quantity Per	
				Package	Assembly
	A	1032243	Strap, Calf w/ Hook and Loop (36" L)	1	1
	A,B	1032215	H-Strap (26" L)	1	1
	A,C	1032216	H-Strap (31" L)	1	1
	A,E	1026987	Guard, Impact (8" L)	1	2
	D	See Chart	Heel Loops and Hardware (Not Including AT5543)	1	1
	D	See Chart	Attaching Hardware Part Numbers (Not Including AT5543)	1	1
	D	See Chart	AT5543 Heel Loops, Heel Loops w/ Ankle Straps and Hardware	1	1
	D	See Chart	Toe Loops and Hardware	1	1

NOTE: A - See drawings for reference.
 B - For 16"-18" wide models.
 C - For 19"-22" wide models.
 D - Not Shown.
 E - For 70 deg. Tapered Footrest.

Footplate Type	Chair Width	Heel Loop Single #	Heel Loop Pair #	Heel Loop w/ Ankle Strap Single # Rt.	Heel Loop w/ Ankle Strap Single # Lt.	Heel Loop w/ Ankle Strap Pair #	Attaching Hardware Pair #
Composite Small (1651)	16-17" W Tapered	1028412-NLA	1035912-NLA	1035908-NLA	1035909-NLA	1035906	1035931
Composite Medium (1651)	16" W or 18-19" W Tapered	1017621	1035917-NLA	1035919	1035920	1035918	1035931
Composite Large (1651)	17-22" W or 20-22" W Tapered	1017621	1035917-NLA	1035932-NLA	1035933-NLA	1035930	1035931
Standard Aluminum (1650)	16-22" W	1017621	1035917-NLA	1035919	1035920	1035918	1035907
X-Large Aluminum (1350)	16-22" W	1017621	1035917-NLA	1035919	1035920	1035918	1055241
Deluxe Aluminum (1450)	16-22" W	1017621	1035917-NLA	1035919	1035920	1035918	1086112-NLA

Footrest and Legrest Accessories

NOTE: Heel loop replacements for Power Articulating Legrest located on the Power Articulating Legrest page.

Attaching Hardware Part Numbers (Not Including AT5543)

Footplate Type	Part Number	Part Number Consists of
Composite (1651)	1035931	(2) Screw, Phillips Pan Head (1/4-20 x 2-1/4") (2) Spacer (1/4 x 11/32 x 1-3/4") (2) Hex Nut w/ Nylon Cap (1/4-20) (2) Flat Washer (1/4 x 5/8 x 1/16")
Standard Aluminum (1650)	1035907	(2) Screw, Phillips Pan Head (1/4-20 x 2-1/2") (2) Spacer (1/4 x 11/32 x 1-3/4") (2) Locknut (1/4-20)
X-Large Aluminum (1350)	1055241	(2) Screw, Phillips Pan Head (1/4-20 x 2-1/4") (2) Spacer (1/4 x 11/32 x 1-3/4") (2) Locknut (1/4-20)
Deluxe Aluminum (1450)	1086112-NLA	(2) Screw, Phillips Pan Head (1/4-20 x 2-1/2") (2) Spacer (1/4 x 11/32 x 1-3/4") (2) Locknut (1/4-20)

Footrest and Legrest Accessories

NOTE: Heel loop replacements for Power Articulating Legrest located on the Power Articulating Legrest page.

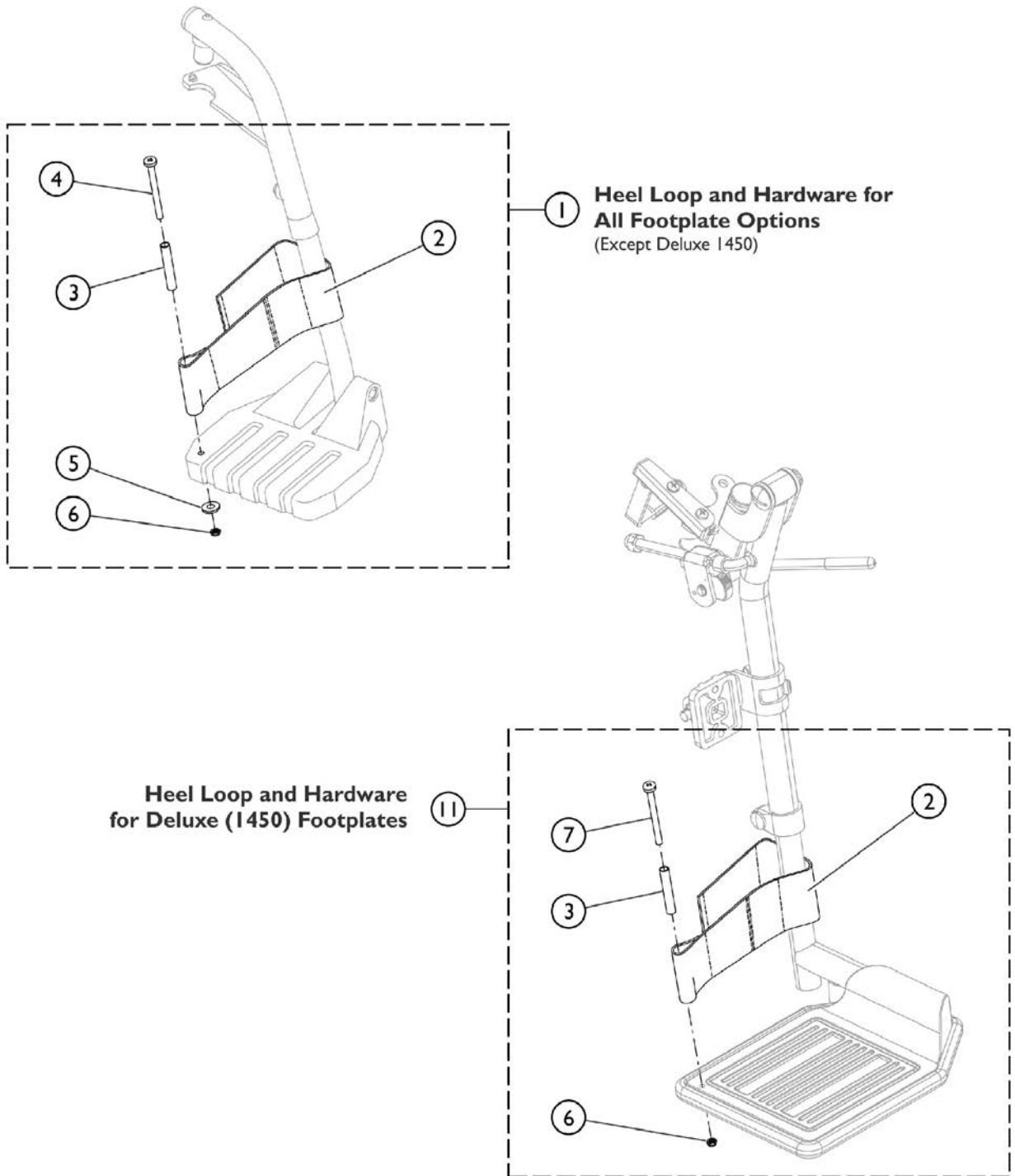
AT5543 Heel Loops, Heel Loops w/ Ankle Straps and Hardware

Footplate Type	Part Number	Part Number Consists of
AT5543 Adj. Angle	1160723 Kit, Heel Loop w/ Hardware, Adjustable Angle Footplate (Pair)	(2) Heel Loops (4) Screw, PPH (1/4-20 x 2-1/4") (4) Spacer (4) Locknut (1/4-20)
AT5543 Adj. Angle	1160724 Kit, Heel Loop w/ Ankle Strap and Hardware, Adjustable Angle Footplate (Pair)	(2) Heel Loops w/ Ankle Straps (4) Screw, PPH (1/4-20 x 2-1/4") (4) Spacer (4) Locknut (1/4-20)
Attaching Hardware Only	1035931 Kit, Heel Loop Attaching Hardware (Pair)	(2) Screw, Phillips Pan Head (1/4-20 x 2-1/4") (2) Spacer (1/4 x 11/32 x 1-3/4") (2) Hex Nut w/ Nylon Cap (1/4-20) (2) Flat Washer (1/4 x 5/8 x 1/16")

Toe Loops (1345) and Attaching Hardware

Footplate Type	Toe Loop w/o Hardware Single #	Toe Loop w/o Hardware Pair #	Attaching Hardware Part Number	Attaching Hardware Consists of
1651, 1650, 1350, 1450 Footplates	04572X025	1037087	1037089	(4) Screw, Phillips Pan Head (10-32 x 7/8") (4) Washer (1/4 x 3/4 x 3/32") (4) Locknut (10-32)
AT5543 Footplates	04572X025	1037087	1104749	(4) Screw, Phillips Pan Head (10-32 x 1/2") (4) Washer (1/4 x 3/4 x 3/32")

Front Riggings - Adjustable Heel Loops

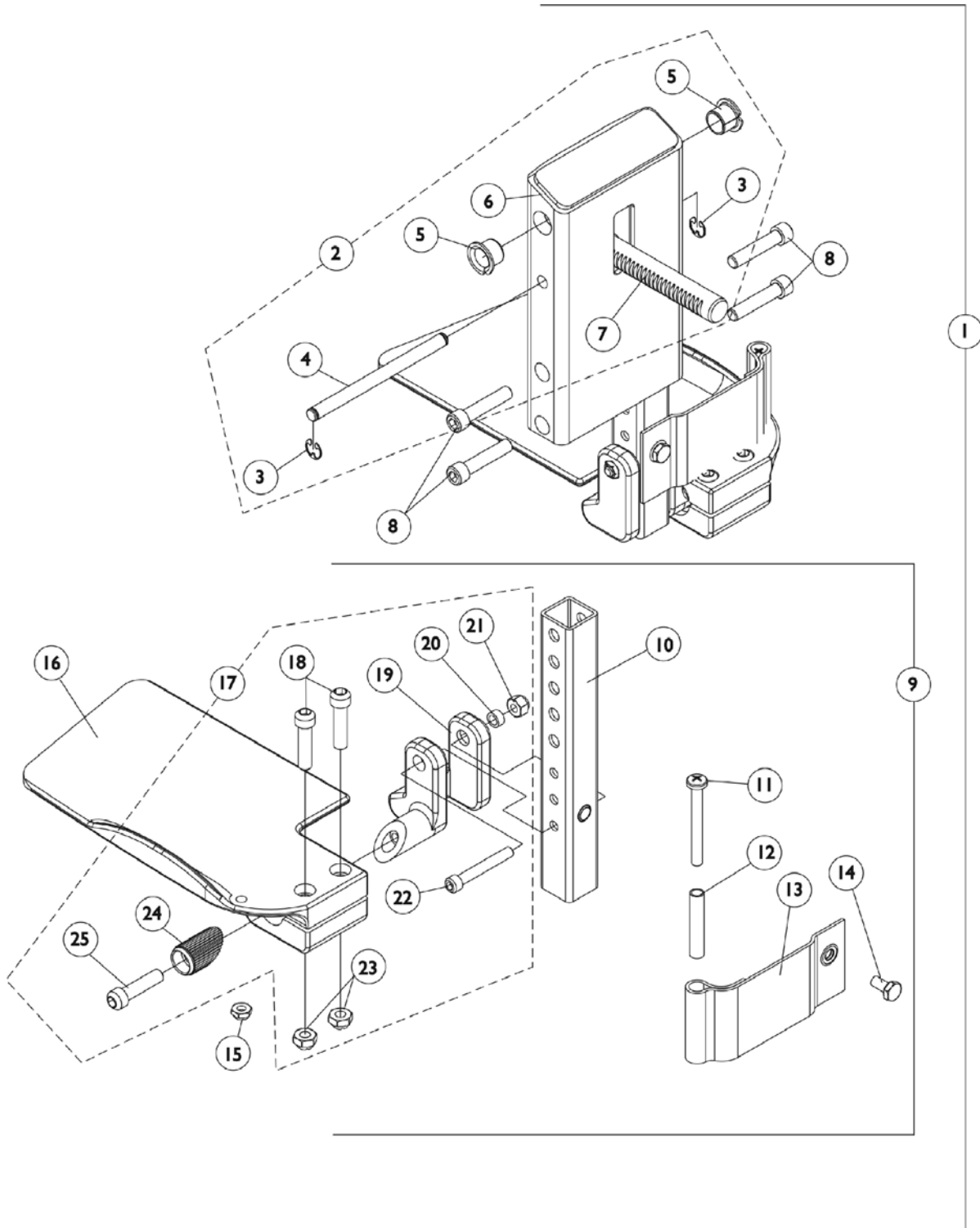


SCM_058A

Front Riggings - Adjustable Heel Loops

Item Number	Note	Part Number	Description	Quantity Per	
				Package	Assembly
1	A	1191117	Kit, Heel Loop, Adjustable w/ Hardware (Pair)	1	1
2			Heel Loop	1	2
3			NLA - Spacer (1/4 x 11/32 x 1-3/4")	1	2
4			NLA - Screw, Phillips Pan Head (1/4-20 x 2-1/4")	1	2
5			Washer, Flat (1/4 x 5/8 x 1/16")	1	2
6			Nut, Hex, Nylon Cap (1/4-20)	1	2
			Instruction Sheet, Adjustable Heel Loop	1	1
11	B	1191116	Kit, Heel Loop, Adjustable w/ Hardware, Deluxe 1450 (Pair)	1	1
2			Heel Loop	1	2
3			NLA - Spacer (1/4 x 11/32 x 1-3/4")	1	2
6			Nut, Hex, Nylon Cap (1/4-20)	1	2
7			NLA - Screw, Phillips Pan Head (1/4-20 x 2-1/2")	1	2
			Instruction Sheet, Adjustable Heel Loop	1	1
NOTE: A - Kit includes items 2 - 6. Used with All Footplates except Deluxe (1450). B - Kit includes items 2, 3, 6, and item 7. Used with Deluxe (1450) Footplates only.					

Front Rigging - Center Mount Rigging CTMTJ/CTMT-FJ (Before 12/10/08) (CTMTJ/CTMT-FJ = 9-1/4" - 12" Range)

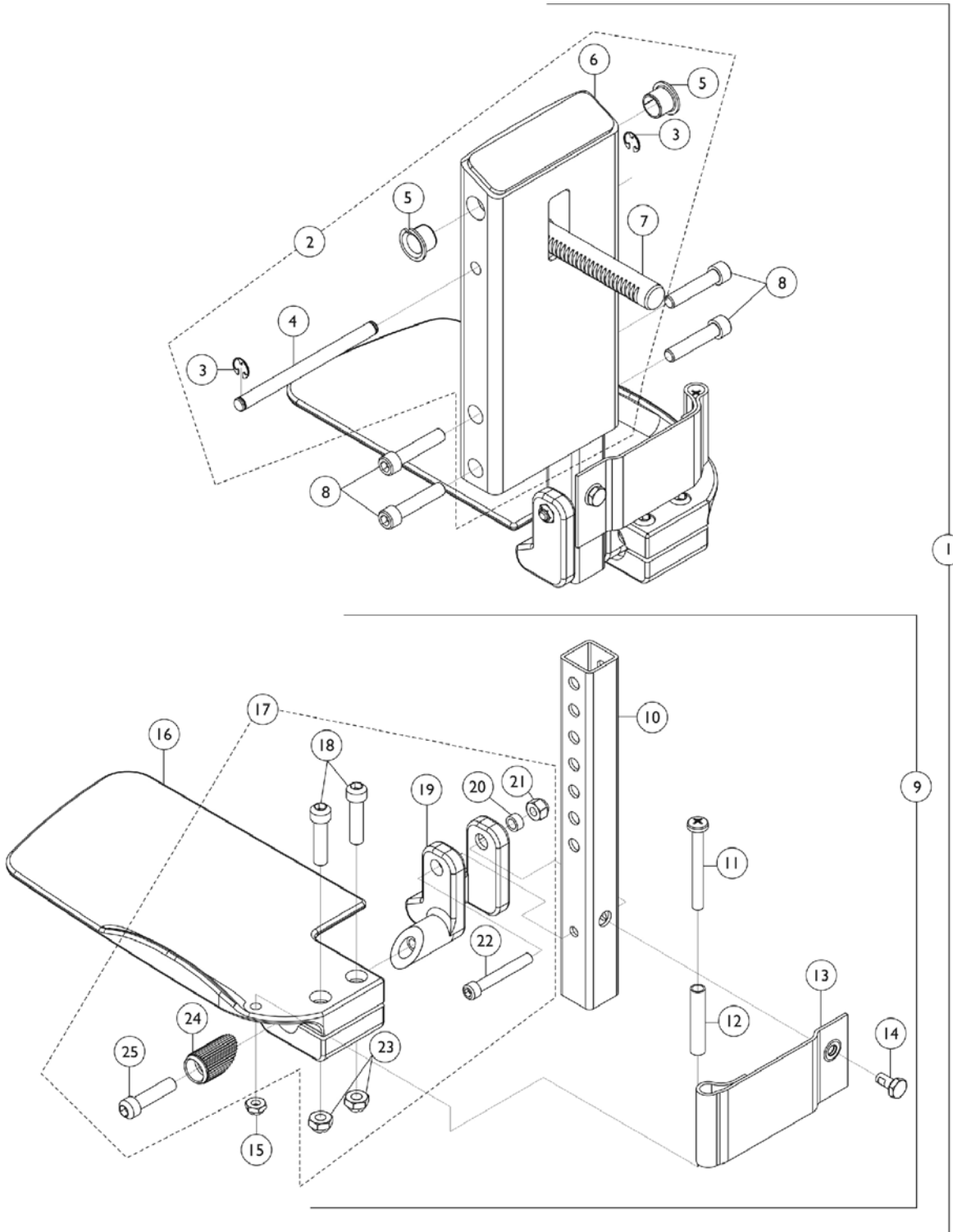


Front Rigging - Center Mount Rigging CTMTJ/CTMT-FJ (Before 12/10/08) (CTMTJ/CTMT-FJ = 9-1/4" - 12" Range)

Item Number	Note	Part Number	Description	Quantity Per	
				Package	Assembly
1	A	See Note	See Footnote	1	1
2	B	1123021-NLA	NLA - Legrest Support Assembly, Center Mount, Junior, Black	1	1
3		1113376-NLA	NLA - Ring, Retainer (1/4 x 1/2 x 1/64")	1	2
4		1113373-NLA	NLA - Pin, Angle, Adjustable, ASBA	1	1
5		1110669	Bearing, Flange (1/2 x 13/16 x 1/2")	1	2
6		1121984-NLA	NLA - Support, Junior Legrest (CTMTJ/CTMT-FJ)	1	1
7		1113372	Rack, Center Mount Rigging Angle Adjustable	1	1
8		1021344	Screw, Socket Head (5/16-18 x 1-1/2")	1	4
9	C	1123042-NLA	NLA - Extension Tube and Footplate Assembly w/ Heel Loop, Junior - Right	1	1
9	C	1123043-NLA	NLA - Extension Tube and Footplate Assembly w/ Heel Loop, Junior - Left	1	1
10		1123044	Tube, Footrest Extension, Short (CTMTJ/CTMT-FJ = 9-1/4 - 12") (CTMT/CTMT-F = 12-1/4 - 15") (PCTMT = 10 - 13")	1	1
11		1021421-NLA	NLA - Screw, Phillips Pan Head (1/4-20 x 2-1/4")	1	2
12		1006477-NLA	NLA - Spacer (1/4 x 11/32 x 1-3/4")	1	2
13		1121996-NLA	NLA - Heel Loop, Center Mount Rigging	1	2
14		1078214	Screw, Hex Head w/ Patch (1/4-20 x 1/2")	1	2
15		1025195	Locknut (1/4-20)	1	2
16	E	1121988-NLA	NLA - Footplate, CTMTJ/CTMT-FJ - Right (5-1/4" W x 8-13/16" L)	1	1
16	E	1121989-NLA	NLA - Footplate, CTMTJ/CTMT-FJ - Left (5-1/4" W x 8-13/16" L)	1	1
17	D	1120345-NLA	NLA - Center Mount Rigging Footplate Mounting Hardware - Right	1	1
17	D	1121123-NLA	NLA - Center Mount Rigging Footplate Mounting Hardware - Left	1	1
18		1021343	Screw, Socket Head (5/16-18 x 1-1/4")	1	2
19		1113384-NLA	NLA - Hinge, Adjustable Angle - Right	1	1
19		1113385-NLA	NLA - Hinge, Adjustable Angle - Left	1	1
20		1047449-NLA	NLA - Spacer (1/4 x 3/8 x 3/16")	1	1
21		1065362	Locknut (1/4-28)	1	1
22		1096810	Screw, Socket Head (1/4-28 x 1-3/4")	1	1
23		1108122-NLA	NLA - Locknut (5/16-18)	1	2
24		1113530	Attachment, Hinge	1	1
25		1021343	Screw, Socket Head (5/16-18 x 1-1/4")	1	1

NOTE: A - As of 12/10/08, item 1 is no longer available. Individual parts may be ordered separately.
B - Includes items 3-7
C - Includes items 10-16 & 17
D - Includes items 18-25
E - Item #16 - Footplate design revised 2/28/07 to accommodate items 18 & 23. Replace footplates in pairs and order new footplate hardware for chairs mfg. before 2/28/07.

Front Rigging - Center Mount Rigging (CTMT/CTMT-F/CTMT-L/CTMT-FL) (Before 12/10/08) (CTMT/CTMT-F = 12-1/4" - 15" Range) & (CTMT-L/CTMT-FL = 16" - 18-3/4" Range)



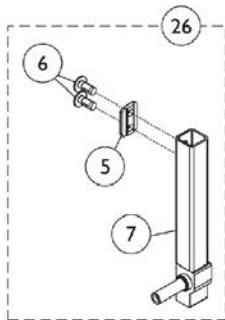
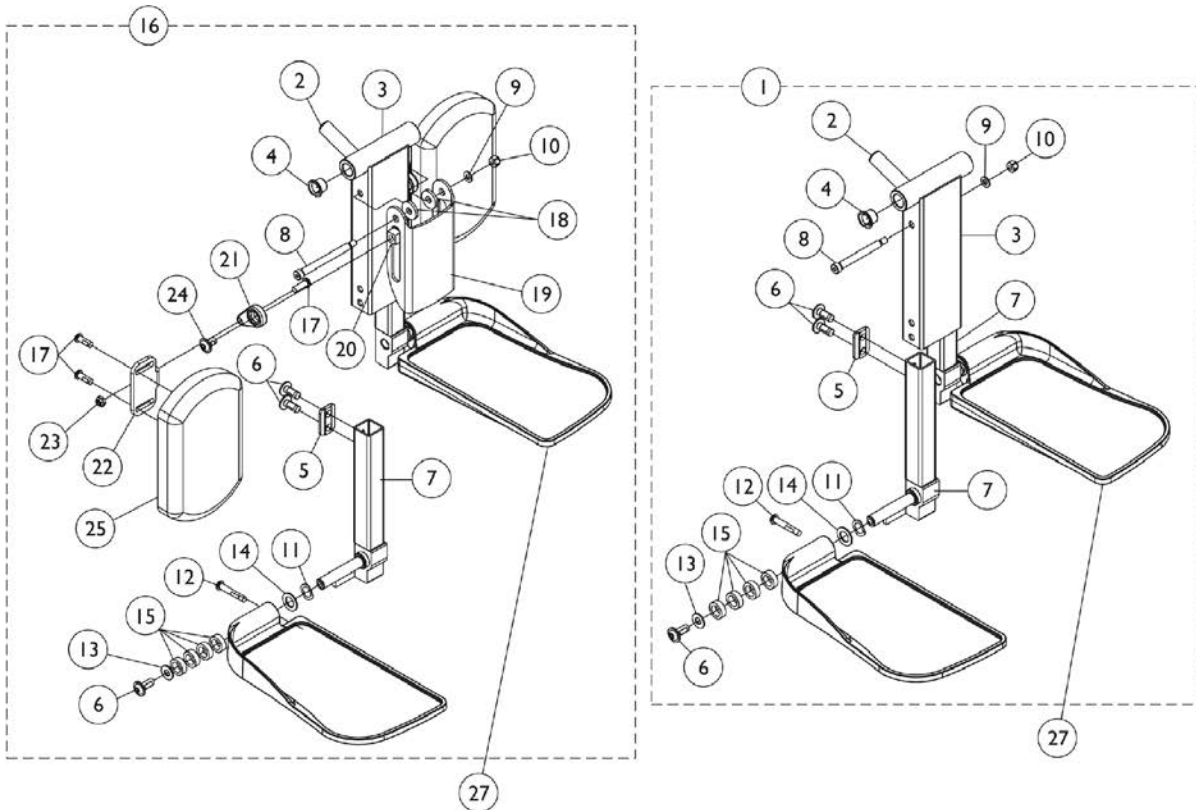
Front Rigging - Center Mount Rigging
(CTMT/CTMT-F/CTMT-L/CTMT-FL) (Before 12/10/08)
(CTMT/CTMT-F = 12-1/4" - 15" Range) & (CTMT-L/CTMT-FL = 16" - 18-3/4"
Range)

Item Number	Note	Part Number	Description	Quantity Per	
				Package	Assembly
1	A	See Note	See Footnote	1	1
2	B	1120346-NLA	NLA - Legrest Support Assembly, Center Mount, Black	1	1
3		1113376-NLA	NLA - Ring, Retainer (1/4 x 1/2 x 1/64")	1	2
4		1113373-NLA	NLA - Pin, Angle, Adjustable, ASBA	1	1
5		1110669	Bearing, Flange (1/2 x 13/16 x 1/2")	1	2
6	F	1113609-NLA	NLA - Support, Center Mount Rigging Legrest, Black	1	1
7		1113372	Rack, Center Mount Rigging Angle Adjustable	1	1
8		1021344	Screw, Socket Head (5/16-18 x 1-1/2")	1	4
9	C	1123034-NLA	NLA - Extension Tube and Footplate Assembly w/ Heel Loop, Short - Right	1	1
9	C	1123035-NLA	NLA - Extension Tube and Footplate Assembly w/ Heel Loop, Short - Left	1	1
9	C	1123036-NLA	NLA - Extension Tube and Footplate Assembly w/ Heel Loop, Long - Right	1	1
9	C	1123037-NLA	NLA - Extension Tube and Footplate Assembly w/ Heel Loop, Long - Left	1	1
10		1123044	Tube, Footrest Extension, Short (CTMTJ/CTMT-FJ = 9-1/4 - 12") (CTMT/CTMT-F = 12-1/4 - 15") (PCTMT = 10 - 13")	1	1
10		1123045-NLA	NLA - Tube, Footrest Extension, Long (CTMT-L/CTMT-FL = 16 - 18-3/4") (PCTMT-L = 1 - 17")	1	1
11		1021421-NLA	NLA - Screw, Phillips Pan Head (1/4-20 x 2-1/4")	1	2
12		1006477-NLA	NLA - Spacer (1/4 x 11/32 x 1-3/4")	1	2
13		1121996-NLA	NLA - Heel Loop, Center Mount Rigging	1	2
14		1078214	Screw, Hex Head w/ Patch (1/4-20 x 1/2")	1	2
15		1025195	Locknut (1/4-20)	1	2
16	E	1113606-NLA	NLA - Footplate, Center Mount Rigging, Black - Right (5-1/4" W x 9-5/8" L)	1	1
16	E	1113607-NLA	NLA - Footplate, Center Mount Rigging, Black - Left (5-1/4" W x 9-5/8" L)	1	1
17	D	1120345-NLA	NLA - Center Mount Rigging Footplate Mounting Hardware - Right	1	1
17	D	1121123-NLA	NLA - Center Mount Rigging Footplate Mounting Hardware - Left	1	1
18		1021343	Screw, Socket Head (5/16-18 x 1-1/4")	1	2
19		1113384-NLA	NLA - Hinge, Adjustable Angle - Right	1	1
19		1113385-NLA	NLA - Hinge, Adjustable Angle - Left	1	1
20		1047449-NLA	NLA - Spacer (1/4 x 3/8 x 3/16")	1	1
21		1065362	Locknut (1/4-28)	1	1

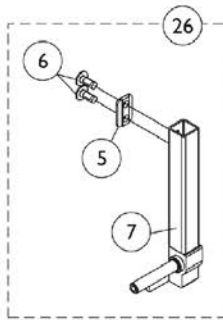
**Front Rigging - Center Mount Rigging
(CTMT/CTMT-F/CTMT-L/CTMT-FL) (Before 12/10/08)
(CTMT/CTMT-F = 12-1/4" - 15" Range) & (CTMT-L/CTMT-FL = 16" - 18-3/4"
Range)**

Item Number	Note	Part Number	Description	Quantity Per	
				Package	Assembly
22		1096810	Screw, Socket Head (1/4-28 x 1-3/4")	1	1
23		1108122-NLA	NLA - Locknut (5/16-18)	1	2
24		1113530	Attachment, Hinge	1	1
25		1021343	Screw, Socket Head (5/16-18 x 1-1/4")	1	1
<p>NOTE: A - As of 12/10/08, item 1 is no longer available. Individual parts may be ordered separately. B - Includes items 3-7 C - Includes items 10-16 & 17 D - Includes items 18-25 E - Item #16 - Footplate design revised 2/28/07 to accommodate items 18 & 23. Replace footplates in pairs and order new footplate hardware for chairs mfg. before 2/28/07. F - No Longer Available individually. See part # 1123046 for replacement.</p>					

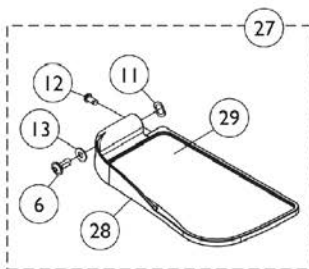
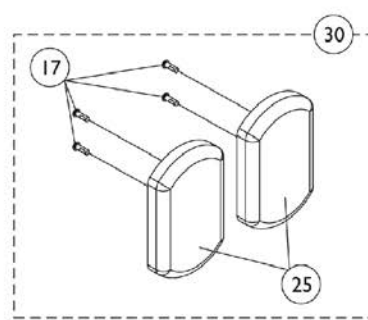
Center Mount Front Rigging (After 12/09/08) (CTMT-J/CTMT-FJ/CTMT/CTMT-F/CTMT-L/CTMT-FL)



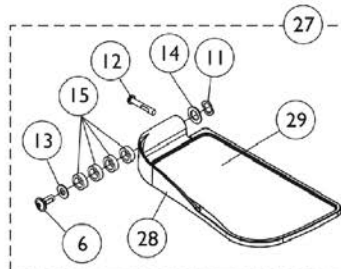
Before 12/15/10



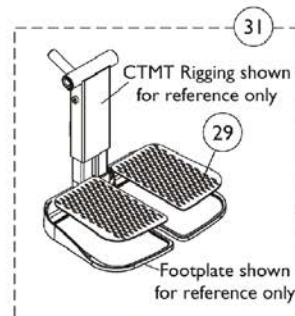
After 12/14/10



Before 12/15/10



After 12/14/10



Center Mount Front Rigging (After 12/09/08) (CTMT-J/CTMT-FJ/CTMT/CTMT-F/CTMT-L/CTMT-FL)

Item Number	Note	Part Number	Description	Quantity Per	
				Package	Assembly
1	A	1121990	Kit, Center Mount Front Rigging, Junior (CTMTJ/CTMT-FJ) ASBA/ADJASBA (9-1/2" - 11" Range)	1	1
2			Rack, Center Mount Rigging Angle Adjustable	1	1
3			Support, Footrest, Center Mount, Black - Short	1	1
4			Bearing, Flange (1/2 x 13/16 x 1/2")	1	2
5			Cleat, Button Head	1	2
6			Screw, Socket, Button Head w/ Patch (5/16-18 x 3/4")	1	6
7			Tube, Extension, Footrest, Short, Black - Right	1	1
7			Tube, Extension, Footrest, Short, Black - Left	1	1
8			Screw, Shoulder Hex Socket Head (5/16" x 2-1/2", 1/4-20)	1	1
9			Washer (1/4 x 1/2 x 1/16")	1	1
10			Locknut (1/4-20)	1	1
11			NLA - Washer, Wave (17/32 x 3/4 x 1/64")	1	2
12			Screw, Socket Button Head (1/4-20 x 1-1/2")	1	2
13			Washer, Nylon (5/16 x 11/16 x 1/16")	1	2
14			Washer (1/2 x 7/8 x 3/64")	1	2
15			Spacer, Nylon (1/2 x 3/4 x 1/4")	1	8
1	A	1117262	Kit, Center Mount Front Rigging (CTMT) (CTMT-F), ASBA/ADJASBA (11" - 15" Range)	1	1
2			Rack, Center Mount Rigging Angle Adjustable	1	1
3			Support, Footrest, Center Mount, Black - Regular	1	1
4			Bearing, Flange (1/2 x 13/16 x 1/2")	1	2
5			Cleat, Button Head	1	2
6			Screw, Socket, Button Head w/ Patch (5/16-18 x 3/4")	1	6
7			Tube, Extension, Footrest, Medium, Black - Right	1	1
7			Tube, Extension, Footrest, Medium, Black - Left	1	1
8			Screw, Shoulder Hex Socket Head (5/16" x 2-1/2", 1/4-20)	1	1
9			Washer (1/4 x 1/2 x 1/16")	1	1
10			Locknut (1/4-20)	1	1
11			NLA - Washer, Wave (17/32 x 3/4 x 1/64")	1	2
12			Screw, Socket Button Head (1/4-20 x 1-1/2")	1	2
13			Washer, Nylon (5/16 x 11/16 x 1/16")	1	2
14			Washer (1/2 x 7/8 x 3/64")	1	2
15			Spacer, Nylon (1/2 x 3/4 x 1/4")	1	8
1	A	1117263	Kit, Center Mount Front Rigging (CTMT-L) (CTMT-FL), ASBA/ADJASBA (14" - 18" Range)	1	1
2			Rack, Center Mount Rigging Angle Adjustable	1	1
3			Support, Footrest, Center Mount, Black - Regular	1	1

Center Mount Front Rigging (After 12/09/08) (CTMT-J/CTMT-FJ/CTMT/CTMT-F/CTMT-L/CTMT-FL)

Item Number	Note	Part Number	Description	Quantity Per	
				Package	Assembly
4			Bearing, Flange (1/2 x 13/16 x 1/2")	1	2
5			Cleat, Button Head	1	2
6			Screw, Socket, Button Head w/ Patch (5/16-18 x 3/4")	1	6
7			Tube, Extension, Footrest, Long, Black - Right	1	1
7			Tube, Extension, Footrest, Long, Black - Left	1	1
8			Screw, Shoulder Hex Socket Head (5/16" x 2-1/2", 1/4-20)	1	1
9			Washer (1/4 x 1/2 x 1/16")	1	1
10			Locknut (1/4-20)	1	1
11			NLA - Washer, Wave (17/32 x 3/4 x 1/64")	1	2
12			Screw, Socket Button Head (1/4-20 x 1-1/2")	1	2
13			Washer, Nylon (5/16 x 11/16 x 1/16")	1	2
14			Washer (1/2 x 7/8 x 3/64")	1	2
15			Spacer, Nylon (1/2 x 3/4 x 1/4")	1	8
16	B	1161428	Kit, Center Mount Front Rigging w/Calf Pad - Short (CTMTJ/CTMT-FJ) ASBA/ADJASBA (9-1/2" - 11" Range)	1	1
2			Rack, Center Mount Rigging Angle Adjustable	1	1
3			Support, Footrest, Center Mount, Black - Short	1	1
4			Bearing, Flange (1/2 x 13/16 x 1/2")	1	2
5			Cleat, Button Head	1	2
6			Screw, Socket, Button Head w/ Patch (5/16-18 x 3/4")	1	6
7			Tube, Extension, Footrest, Short, Black - Right	1	1
7			Tube, Extension, Footrest, Short, Black - Left	1	1
8			Screw, Shoulder Hex Socket Head (5/16" x 3", 1/4-20)	1	1
9			Washer (1/4 x 1/2 x 1/16")	1	1
10			Locknut (1/4-20)	1	1
11			NLA - Washer, Wave (17/32 x 3/4 x 1/64")	1	2
12			Screw, Socket Button Head (1/4-20 x 1-1/2")	1	2
13			Washer, Nylon (5/16 x 11/16 x 1/16")	1	2
14			Washer (1/2 x 7/8 x 3/64")	1	2
15			Spacer, Nylon (1/2 x 3/4 x 1/4")	1	8
17			Screw, Socket Button Head w/ Patch (1/4-20 x 3/4")	1	6
18			Washer, Nylon (5/16 x 7/8 x 1/8")	1	2
19			Bracket, Calf Pad, Black	1	1
20			Nut, T (5/16-18)	1	2
21			Adjuster, Calf Pad	1	2
22			Bracket, Mounting, Calf Pad	1	2
23			Locknut (1/4-20)	1	2

**Center Mount Front Rigging
(After 12/09/08)
(CTMT-J/CTMT-FJ/CTMT/CTMT-F/CTMT-L/CTMT-FL)**

Item Number	Note	Part Number	Description	Quantity Per	
				Package	Assembly
24			Screw, Socket, Button Head w/ Patch (5/16-18 x 1/2")	1	2
25			Pad, Calf (4-1/2" W x 7-1/4" L)	1	2
16	B	1161429	Kit, Center Mount Front Rigging w/Calf Pad - Medium (CTMT) (CTMT-F), ASBA/ADJASBA (11" - 15" Range)	1	1
2			Rack, Center Mount Rigging Angle Adjustable	1	1
3			Support, Footrest, Center Mount, Black - Regular	1	1
4			Bearing, Flange (1/2 x 13/16 x 1/2")	1	2
5			Cleat, Button Head	1	2
6			Screw, Socket, Button Head w/ Patch (5/16-18 x 3/4")	1	6
7			Tube, Extension, Footrest, Medium, Black - Right	1	1
7			Tube, Extension, Footrest, Medium, Black - Left	1	1
8			Screw, Shoulder Hex Socket Head (5/16" x 3", 1/4-20)	1	1
9			Washer (1/4 x 1/2 x 1/16")	1	1
10			Locknut (1/4-20)	1	1
11			NLA - Washer, Wave (17/32 x 3/4 x 1/64")	1	2
12			Screw, Socket Button Head (1/4-20 x 1-1/2")	1	2
13			Washer, Nylon (5/16 x 11/16 x 1/16")	1	2
14			Washer (1/2 x 7/8 x 3/64")	1	2
15			Spacer, Nylon (1/2 x 3/4 x 1/4")	1	8
17			Screw, Socket Button Head w/ Patch (1/4-20 x 3/4")	1	6
18			Washer, Nylon (5/16 x 7/8 x 1/8")	1	2
19			Bracket, Calf Pad, Black	1	1
20			Nut, T (5/16-18)	1	2
21			Adjuster, Calf Pad	1	2
22			Bracket, Mounting, Calf Pad	1	2
23			Locknut (1/4-20)	1	2
24			Screw, Socket, Button Head w/ Patch (5/16-18 x 1/2")	1	2
25			Pad, Calf (4-1/2" W x 7-1/4" L)	1	2
16	B	1161430	Kit, Center Mount Front Rigging w/Calf Pad - Long (CTMT-L) (CTMT-FL), ASBA/ADJASBA (14" - 18" Range)	1	1
2			Rack, Center Mount Rigging Angle Adjustable	1	1
3			Support, Footrest, Center Mount, Black - Regular	1	1
4			Bearing, Flange (1/2 x 13/16 x 1/2")	1	2
5			Cleat, Button Head	1	2
6			Screw, Socket, Button Head w/ Patch (5/16-18 x 3/4")	1	6

Center Mount Front Rigging (After 12/09/08) (CTMT-J/CTMT-FJ/CTMT/CTMT-F/CTMT-L/CTMT-FL)

Item Number	Note	Part Number	Description	Quantity Per	
				Package	Assembly
7			Tube, Extension, Footrest, Long, Black - Right	1	1
7			Tube, Extension, Footrest, Long, Black - Left	1	1
8			Screw, Shoulder Hex Socket Head (5/16" x 3", 1/4-20)	1	1
9			Washer (1/4 x 1/2 x 1/16")	1	1
10			Locknut (1/4-20)	1	1
11			NLA - Washer, Wave (17/32 x 3/4 x 1/64")	1	2
12			Screw, Socket Button Head (1/4-20 x 1-1/2")	1	2
13			Washer, Nylon (5/16 x 11/16 x 1/16")	1	2
14			Washer (1/2 x 7/8 x 3/64")	1	2
15			Spacer, Nylon (1/2 x 3/4 x 1/4")	1	8
17			Screw, Socket Button Head w/ Patch (1/4-20 x 3/4")	1	6
18			Washer, Nylon (5/16 x 7/8 x 1/8")	1	2
19			Bracket, Calf Pad, Black	1	1
20			Nut, T (5/16-18)	1	2
21			Adjuster, Calf Pad	1	2
22			Bracket, Mounting, Calf Pad	1	2
23			Locknut (1/4-20)	1	2
24			Screw, Socket, Button Head w/ Patch (5/16-18 x 1/2")	1	2
25			Pad, Calf (4-1/2" W x 7-1/4" L)	1	2
26	G	See Chart	#26 Extension Tube Kits Before 12/15/10	1	1
26		See Chart	#26 Extension Tube Kits After 12/14/10	1	1
27	G	See Chart	#27 Footplate Kits Before 12/15/10	1	1
27		See Chart	#27 Footplate Kits After 12/14/10	1	1
30	C	1163373	Kit, Calf Pad (Pair)	1	1
17			Screw, Socket Button Head w/ Patch (1/4-20 x 3/4")	1	4
25			Pad, Calf (4-1/2" W x 7-1/4" L)	1	2
31	D	1163374	Kit, Footrest Pad - Small (Pair)	1	1
29			Pad, Footplate, Small - Right	1	1
29			Pad, Footplate, Small - Left	1	1
31	D	1163375	Kit, Footrest Pad - Medium (Pair)	1	1
29			Pad, Footplate, Medium - Right	1	1
29			Pad, Footplate, Medium - Left	1	1
31	D	1163376	Kit, Footrest Pad - Large (Pair)	1	1
29			Pad, Footplate, Large - Right	1	1
29			Pad, Footplate, Large - Left	1	1
	E	1165505	Kit, Hardware, Calf Pad Adjustment	1	1
17			Screw, Socket Button Head w/ Patch (1/4-20 x 3/4")	1	2
20			Nut, T (5/16-18)	1	2
21			Adjuster, Calf Pad	1	2
22			Bracket, Mounting, Calf Pad	1	2

Center Mount Front Rigging (After 12/09/08) (CTMT-J/CTMT-FJ/CTMT/CTMT-F/CTMT-L/CTMT-FL)

Item Number	Note	Part Number	Description	Quantity Per	
				Package	Assembly
23			Locknut (1/4-20)	1	2
24			Screw, Socket, Button Head w/ Patch (5/16-18 x 1/2")	1	2
	F	1165506	Kit, Bracket, Calf Pad Mounting w/ Hardware	1	1
8			Screw, Shoulder Hex Socket Head (5/16" x 3", 1/4-20)	1	1
9			Washer (1/4 x 1/2 x 1/16")	1	1
10			Locknut (1/4-20)	1	1
18			Washer, Nylon (5/16 x 7/8 x 1/8")	1	2
19			Bracket, Calf Pad, Black	1	1
<p>NOTE: A - Includes items 2-15. As of 12/15/10 item #1 was revised to accommodate adjustable width footplate hardware. If footplates are needed see item #27. B - Includes items 2-15 and 17-25. As of 12/15/10 item #16 was revised to accommodate adjustable width footplate hardware. If footplates are needed see item #27. C - Includes items 17 and 25. D - Includes a pair of item 29. E - Not shown. Includes items 17 and 20-24. F - Not shown. Includes items 8-10, 18 and 19. G - Chairs built before 12/15/10 will require items 26 and 27 in order to convert to the new CTMT Front Rigging design.</p>					

**Center Mount Front Rigging
(After 12/09/08)
(CTMT-J/CTMT-FJ/CTMT/CTMT-F/CTMT-L/CTMT-FL)**

#26 Extension Tube Kits Before 12/15/10

Front Rigging Side	Short 9-1/2" - 11" Range	Medium 11" - 15" Range	Long 14" - 18" Range
Right	1161984-NLA See Note(s) A	1161986-NLA See Note(s) A	1169821-NLA See Note(s) A
Left	1161985-NLA See Note(s) A	1161987-NLA See Note(s) A	1169822-NLA See Note(s) A

NOTE: A - Includes items 5-7. The Extension Tube Kits are used for non-adjustable width footplate hardware only.

#26 Extension Tube Kits After 12/14/10

Front Rigging Side	Short 9-1/2" - 11" Range	Medium 11" - 15" Range	Long 14" - 18" Range
Right	1170677 See Note(s) A	1170679 See Note(s) A	1170681 See Note(s) A
Left	1170678 See Note(s) A	1170680 See Note(s) A	1170682 See Note(s) A

NOTE: A - Includes items 5-7. The Extension Tube Kits are used for adjustable width footplate hardware only.

**Center Mount Front Rigging
(After 12/09/08)
(CTMT-J/CTMT-FJ/CTMT/CTMT-F/CTMT-L/CTMT-FL)**

#27 Footplate Kits Before 12/15/10

Footplate Side	Small 5-1/4" W x 7-1/2" L	Medium 5-1/2" W x 9-1/2" L	Large 5-7/8" W x 11-1/2" L
Right	1161988 See Note(s) A	1161990 See Note(s) A	1161992 See Note(s) A
Left	1161989 See Note(s) A	1161991 See Note(s) A	1161993 See Note(s) A

NOTE: A - Includes items 10-13 and 16-18. The footplate mounting hardware included is for non-adjustable width only.

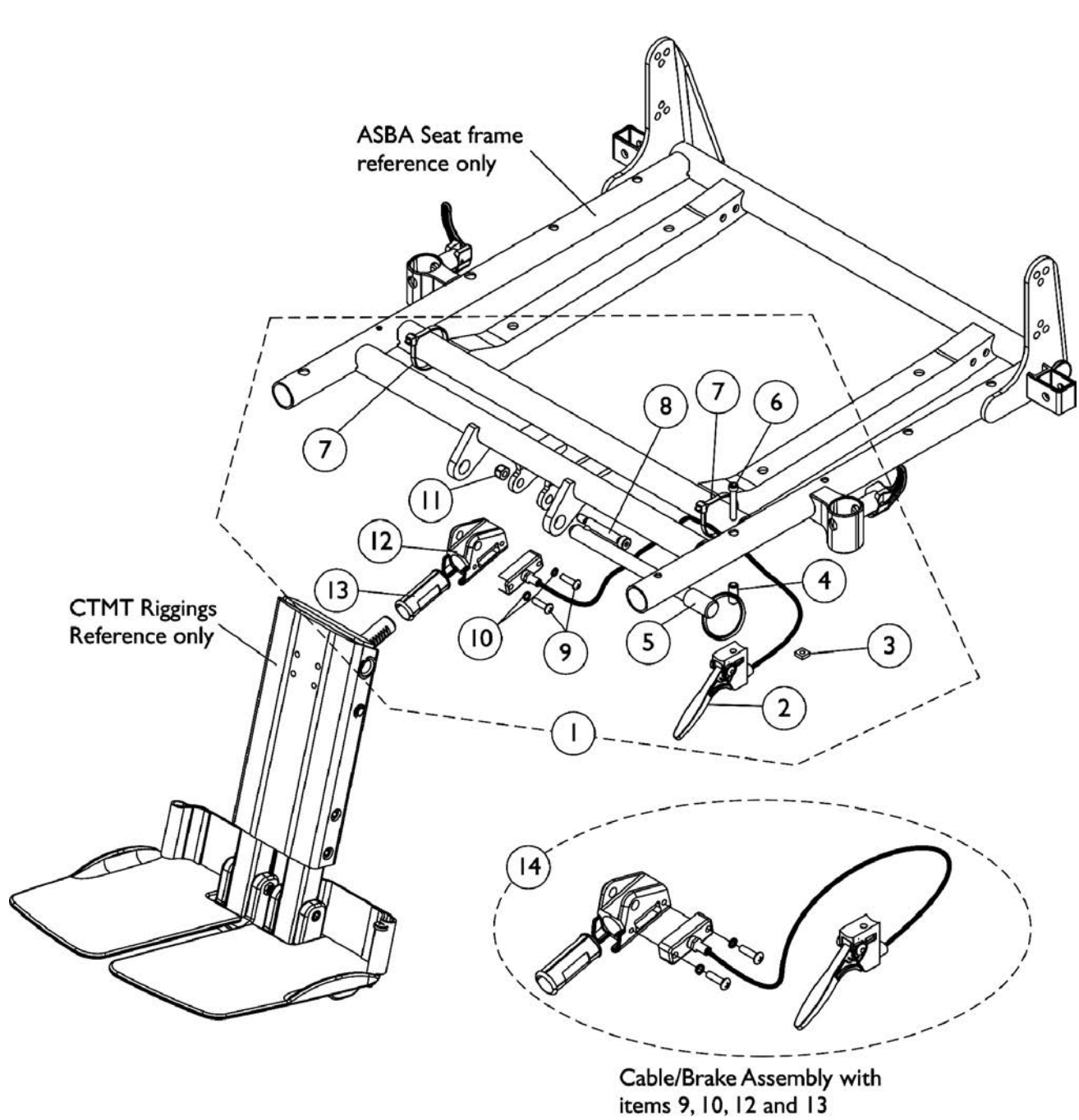
#27 Footplate Kits After 12/14/10

Footplate Side	Small 5-1/4" W x 7-1/2" L	Medium 5-1/2" W x 9-1/2" L	Large 5-7/8" W x 11-1/2" L
Right	1170683 See Note(s) A	1170685 See Note(s) A	1170687 See Note(s) A
Left	1170684 See Note(s) A	1170686 See Note(s) A	1170688 See Note(s) A

NOTE: A - Includes items 10-18 and the Adjustable Width Footplate Instruction Sheet (Not Shown). The footplate mounting hardware included is for adjustable width only.

Center Mount Rigging Mounting Hardware CTMTJ and CTMT/CTMT-L

(TDX Before 7/5/05) (M71 Before 8/8/05) (M91 Before 10/4/05)



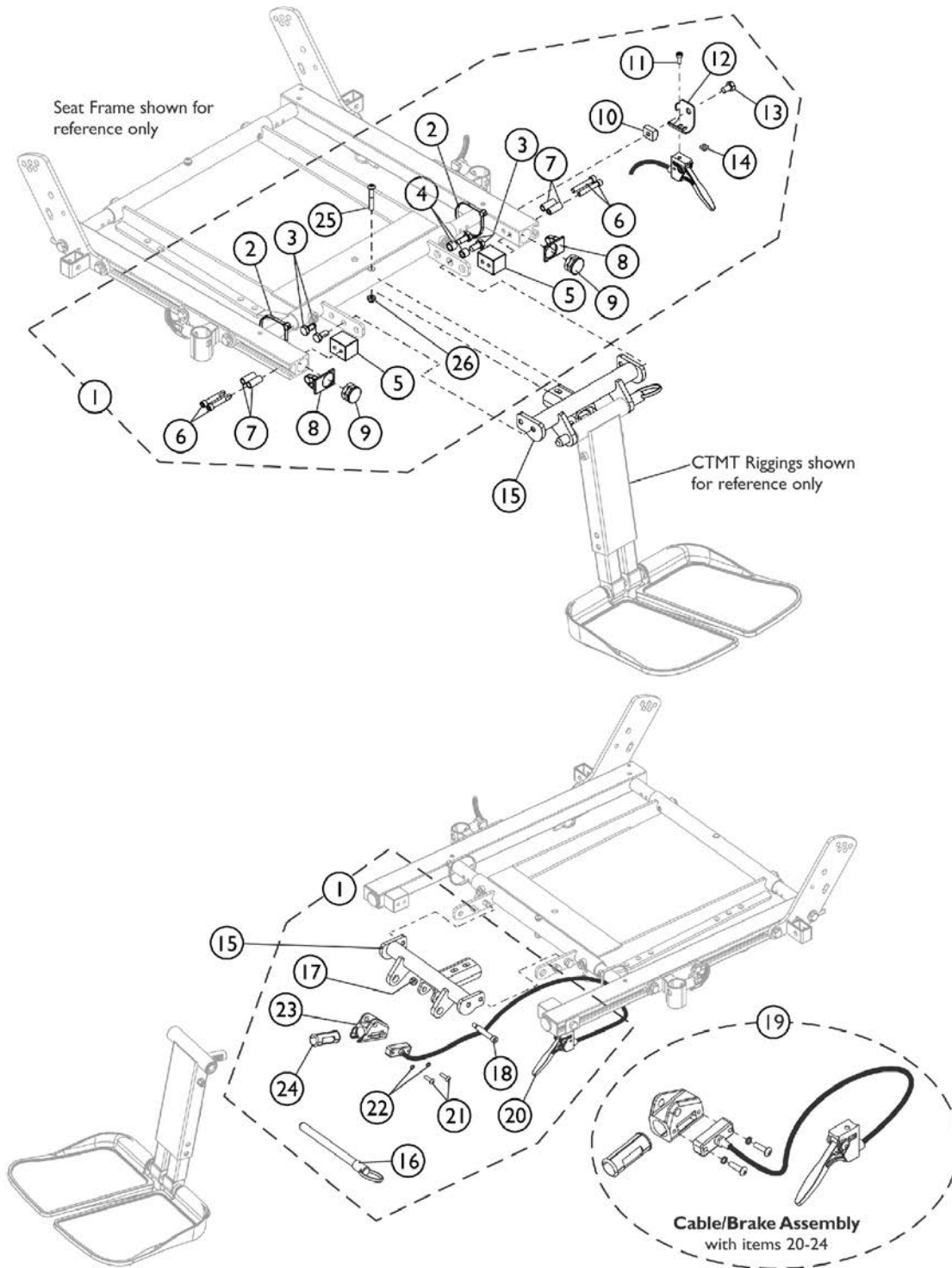
Center Mount Rigging Mounting Hardware CTMTJ and CTMT/CTMT-L

(TDX Before 7/5/05) (M71 Before 8/8/05) (M91 Before 10/4/05)

Item Number	Note	Part Number	Description	Quantity Per	
				Package	Assembly
1	A	1117264-NLA	NLA - Kit, Center Mount Rigging Mounting Hardware	1	1
2			Cable/Brake Assembly	1	1
3			Nut, Square (#10-32)	1	1
4			NLA - Spacer (3/16 x 5/16 x 3/4")	1	1
5			NLA - Pin, Quick Release (5" Long)	1	1
6			NLA - Screw, Socket Head (#10-32 x 1-1/4")	1	1
7			Tie Wrap (11-1/2" L)	1	2
8			Screw, Shoulder Hex Socket Head (5/16" x 1-5/8", 1/4-20)	1	1
9			Screw, Phillips Pan Head (#10-32 x 11/16")	1	2
10			NLA - Washer, Lock (3/16 x 5/16 x 1/16")	1	2
11			Locknut (1/4-20)	1	1
12			Housing, Ratchet	1	1
13			Bearing, Glide	1	2
14	B	1121079	Cable/Brake Assembly w/ Ratchet Housing and Glide Bearing	1	1

NOTE: A - Includes items 2-13
B - Includes items 2, 9, 10, 12 and 13

Center Mount Rigging Mounting Hardware (CTMT-F/CTMT-FL/CTMT-FJ) (TDX After 7/4/05) (M71 After 8/7/05) (M91 After 10/3/05)



SHEP_074A

Center Mount Rigging Mounting Hardware (CTMT-F/CTMT-FL/CTMT-FJ)

(TDX After 7/4/05) (M71 After 8/7/05) (M91 After 10/3/05)

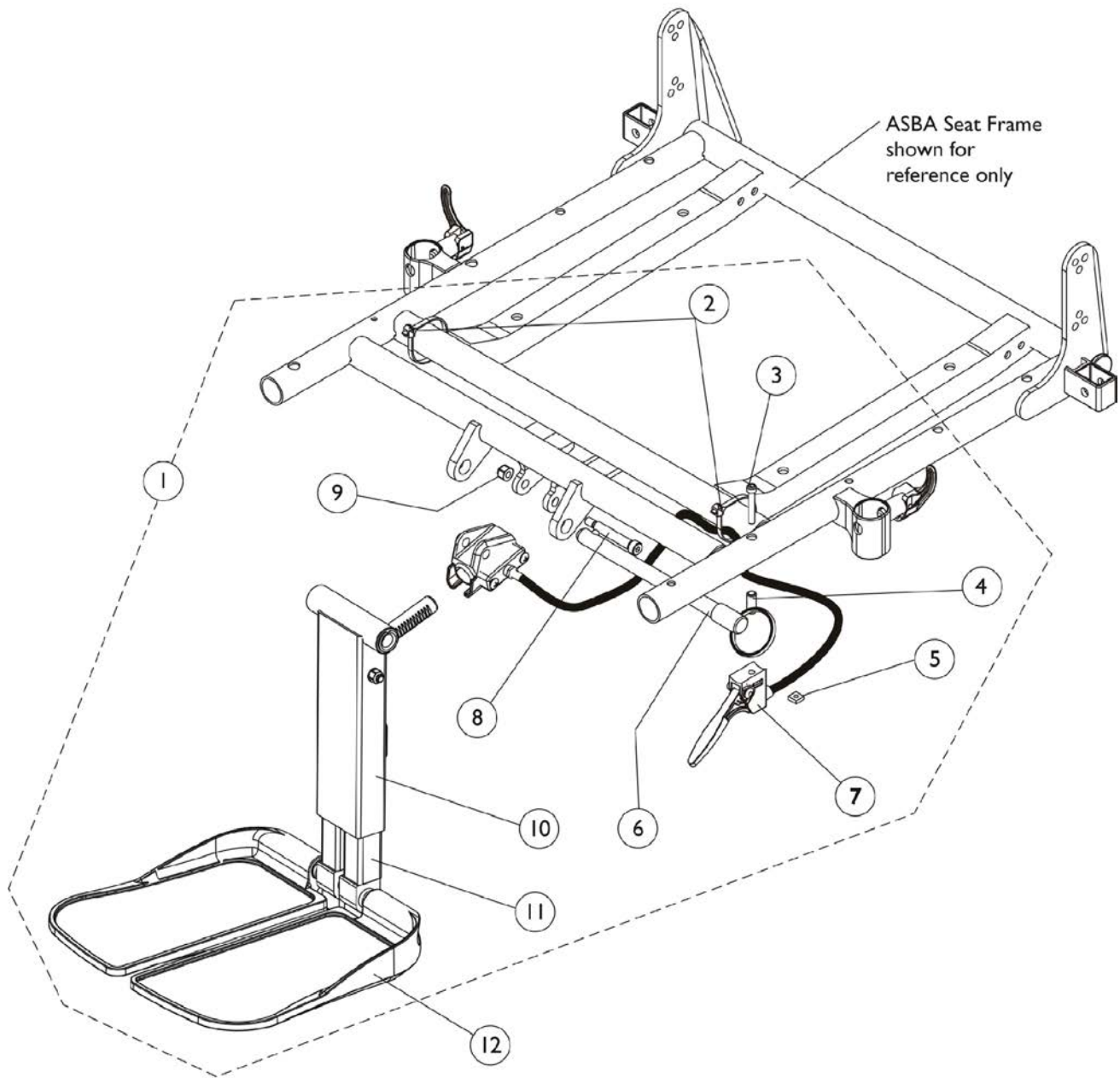
Item Number	Note	Part Number	Description	Quantity Per	
				Package	Assembly
1	A	1124701	Kit, CTMT-F/CTMT-FL/CTMT-FJ Center Mount Rigging Mounting Hardware	1	1
2			Tie Wrap (11-1/2" L)	1	2
3			Screw, Hex Head w/ Patch (5/16-18 x 5/8")	1	4
4			Spacer (5/16 x 7/16 x 3/8")	1	2
5			Block, Threaded	1	2
6			Screw, Socket Head Cap w/ Patch (1/4-20 x 1-1/2")	1	4
7			Spacer (1/4 x 3/8 x 29/32")	1	4
8			Cap, End, Side Rail, Black	1	2
9			Plug Button, Black (1")	1	2
10			T-Nut (5/16-18)	1	1
11			NLA - Screw, Socket Head (#10-32 x 1/2")	1	1
12			Bracket, Release Handle Mounting, Black	1	1
13			NLA - Screw, Hex Head w/ Patch (5/16-18 x 1/2")	1	1
14			Nut, Square (#10-32)	1	1
16			NLA - Pin, Quick Release (5" Long)	1	1
17			Locknut (1/4-20)	1	1
18			Screw, Shoulder Hex Socket Head (5/16" x 1-5/8", 1/4-20)	1	1
20			Cable/Brake Assembly	1	1
21			Screw, Phillips Pan Head (#10-32 x 11/16")	1	2
22			NLA - Washer, Lock (3/16 x 5/16 x 1/32")	1	2
23			Housing, Ratchet	1	1
24			Bearing, Glide	1	1
25			Screw, Socket Button Head (1/4-20 x 1-1/2")	1	1
26			Locknut (1/4-20)	1	1
15	C	1122675	Support, Center Mount Rigging, Black (16 - 19" D)	1	1
15	D	1136001	Support, Center Mount Rigging, Long, Black (19 - 22" D)	1	1
19	B	1121079	Cable/Brake Assembly w/ Ratchet Housing and Glide Bearing	1	1
20		1113622	Cable/Brake Assembly	1	1
21		40163X008	Screw, Phillips Pan Head (#10-32 x 11/16")	1	2
22		1028527-NLA	NLA - Washer, Lock (3/16 x 5/16 x 1/32")	1	2
23		1113389	Housing, Ratchet	1	1
24		1113383	Bearing, Glide	1	1

NOTE: A - Includes items 2-14, 16-18 and 20-26
B - Includes items 20-24
C - Support used for 16"-19" deep seats
D - Support used for 19"-22" deep seats

Center Mount Rigging Kit CTMTJ and CTMT/CTMT-L

(TDX Before 7/5/05) (M71 Before 8/8/05) (M91 Before 10/4/05)

For exploded assembly views of non-adjustable width footplate hardware (Before 12/15/10) refer to category titled, "Center Mount Rigging (CTMT-J/CTMT-FJ/CTMT/CTMT-F/CTMT-L/CTMT-FL) - After 12/09/08".



Center Mount Rigging Kit CTMTJ and CTMT/CTMT-L

(TDX Before 7/5/05) (M71 Before 8/8/05) (M91 Before 10/4/05)

For exploded assembly views of non-adjustable width footplate hardware (Before 12/15/10) refer to category titled, "Center Mount Rigging (CTMT-J/CTMT-FJ/CTMT/CTMT-F/CTMT-L/CTMT-FL) - After 12/09/08".

Item Number	Note	Part Number	Description	Quantity Per	
				Package	Assembly
1	B,C	1121009-NLA	NLA - Kit, Adjustable Length Center Mount Rigging (11"-15" Range)	1	1
1	A,B,C	1121010-NLA	NLA - Kit, Adjustable Length Center Mount Rigging (14"-18" Range)	1	1
1	B,C	1123022-NLA	NLA - Kit, Adjustable Length Junior Center Mount Rigging (9-1/2"-11" Range)	1	1
2		98007X005	Tie Wrap (11-1/2" L)	1	2
3		1028513-NLA	NLA - Screw, Socket Head (#10-32 x 1-1/4")	1	1
4		1113236-NLA	NLA - Spacer (3/16 x 5/16 x 3/4")	1	1
5		1086207	Nut, Square (#10-32)	1	1
6		1113375-NLA	NLA - Pin, Quick Release (5" Long)	1	1
7		1121079	Cable/Brake Assembly w/ Ratchet Housing and Glide Bearing	1	1
8		1071736	Screw, Shoulder Hex Socket Head (5/16" x 1-5/8", 1/4-20)	1	1
9		1025736	Locknut (1/4-20)	1	1
	D	1118368	Instruction Sheet, Center Mount Rigging Kit	1	1
10		1117262	Kit, Center Mount Front Rigging (CTMT) (CTMT-F), ASBA/ADJASBA (11" - 15" Range)	1	1
			Rack, Center Mount Rigging Angle Adjustable	1	1
			Support, Footrest, Center Mount, Black - Regular	1	1
			Bearing, Flange (1/2 x 13/16 x 1/2")	1	2
			Cleat, Button Head	1	2
			Screw, Socket, Button Head w/ Patch (5/16-18 x 3/4")	1	6
			Tube, Extension, Footrest, Medium, Black - Right	1	1
			Tube, Extension, Footrest, Medium, Black - Left	1	1
			Screw, Shoulder Hex Socket Head (5/16" x 2-1/2", 1/4-20)	1	1
			Washer (1/4 x 1/2 x 1/16")	1	1
			Locknut (1/4-20)	1	1
			NLA - Washer, Wave (17/32 x 3/4 x 1/64")	1	2
			Screw, Socket Button Head (1/4-20 x 1-1/2")	1	2
			Washer, Nylon (5/16 x 11/16 x 1/16")	1	2
			Washer (1/2 x 7/8 x 3/64")	1	2
			Spacer, Nylon (1/2 x 3/4 x 1/4")	1	8
10		1117263	Kit, Center Mount Front Rigging (CTMT-L) (CTMT-FL), ASBA/ADJASBA (14" - 18" Range)	1	1
			Rack, Center Mount Rigging Angle Adjustable	1	1
			Support, Footrest, Center Mount, Black - Regular	1	1
			Bearing, Flange (1/2 x 13/16 x 1/2")	1	2

Center Mount Rigging Kit CTMTJ and CTMT/CTMT-L

(TDX Before 7/5/05) (M71 Before 8/8/05) (M91 Before 10/4/05)

For exploded assembly views of non-adjustable width footplate hardware (Before 12/15/10) refer to category titled, "Center Mount Rigging (CTMT-J/CTMT-FJ/CTMT/CTMT-F/CTMT-L/CTMT-FL) - After 12/09/08".

Item Number	Note	Part Number	Description	Quantity Per	
				Package	Assembly
10		1121990	Cleat, Button Head	1	2
			Screw, Socket, Button Head w/ Patch (5/16-18 x 3/4")	1	6
			Tube, Extension, Footrest, Long, Black - Right	1	1
			Tube, Extension, Footrest, Long, Black - Left	1	1
			Screw, Shoulder Hex Socket Head (5/16" x 2-1/2", 1/4-20)	1	1
			Washer (1/4 x 1/2 x 1/16")	1	1
			Locknut (1/4-20)	1	1
			NLA - Washer, Wave (17/32 x 3/4 x 1/64")	1	2
			Screw, Socket Button Head (1/4-20 x 1-1/2")	1	2
			Washer, Nylon (5/16 x 11/16 x 1/16")	1	2
			Washer (1/2 x 7/8 x 3/64")	1	2
			Spacer, Nylon (1/2 x 3/4 x 1/4")	1	8
			Kit, Center Mount Front Rigging, Junior (CTMTJ/CTMT-FJ) ASBA/ADJASBA (9-1/2" - 11" Range)	1	1
			Rack, Center Mount Rigging Angle Adjustable	1	1
			Support, Footrest, Center Mount, Black - Short	1	1
			Bearing, Flange (1/2 x 13/16 x 1/2")	1	2
			Cleat, Button Head	1	2
			Screw, Socket, Button Head w/ Patch (5/16-18 x 3/4")	1	6
			Tube, Extension, Footrest, Short, Black - Right	1	1
			Tube, Extension, Footrest, Short, Black - Left	1	1
			Screw, Shoulder Hex Socket Head (5/16" x 2-1/2", 1/4-20)	1	1
			Washer (1/4 x 1/2 x 1/16")	1	1
			Locknut (1/4-20)	1	1
			NLA - Washer, Wave (17/32 x 3/4 x 1/64")	1	2
			Screw, Socket Button Head (1/4-20 x 1-1/2")	1	2
			Washer, Nylon (5/16 x 11/16 x 1/16")	1	2
			Washer (1/2 x 7/8 x 3/64")	1	2
Spacer, Nylon (1/2 x 3/4 x 1/4")	1	8			
11	See Chart		#11 Extension Tube Kits After 12/14/10	1	1
12	See Chart		#12 Footplate Kits After 12/14/10	1	1

Center Mount Rigging Kit CTMTJ and CTMT/CTMT-L

(TDX Before 7/5/05) (M71 Before 8/8/05) (M91 Before 10/4/05)

For exploded assembly views of non-adjustable width footplate hardware (Before 12/15/10) refer to category titled, "Center Mount Rigging (CTMT-J/CTMT-FJ/CTMT/CTMT-F/CTMT-L/CTMT-FL) - After 12/09/08".

NOTE:	A - Not available for low seat-to-floor models.
	B - Includes items 2-11 and instruction sheet.
	C - As of 12/15/10 item #10 was revised to accommodate adjustable width footplate hardware. If footplates are needed see item #12.
	D - Not Shown.

Center Mount Rigging Kit CTMTJ and CTMT/CTMT-L

(TDX Before 7/5/05) (M71 Before 8/8/05) (M91 Before 10/4/05)

For exploded assembly views of non-adjustable width footplate hardware (Before 12/15/10) refer to category titled, "Center Mount Rigging (CTMT-J/CTMT-FJ/CTMT/CTMT-F/CTMT-L/CTMT-FL) - After 12/09/08".

#11 Extension Tube Kits After 12/14/10

Front Rigging Side	Short 9-1/2" - 11" Range	Medium 11" - 15" Range	Long 14" - 18" Range
Right	1170677 See Note(s) A	1170679 See Note(s) A	1170681 See Note(s) A
Left	1170678 See Note(s) A	1170680 See Note(s) A	1170682 See Note(s) A

NOTE: A - The Extension Tube Kits are used for adjustable width footplate hardware only.

#12 Footplate Kits After 12/14/10

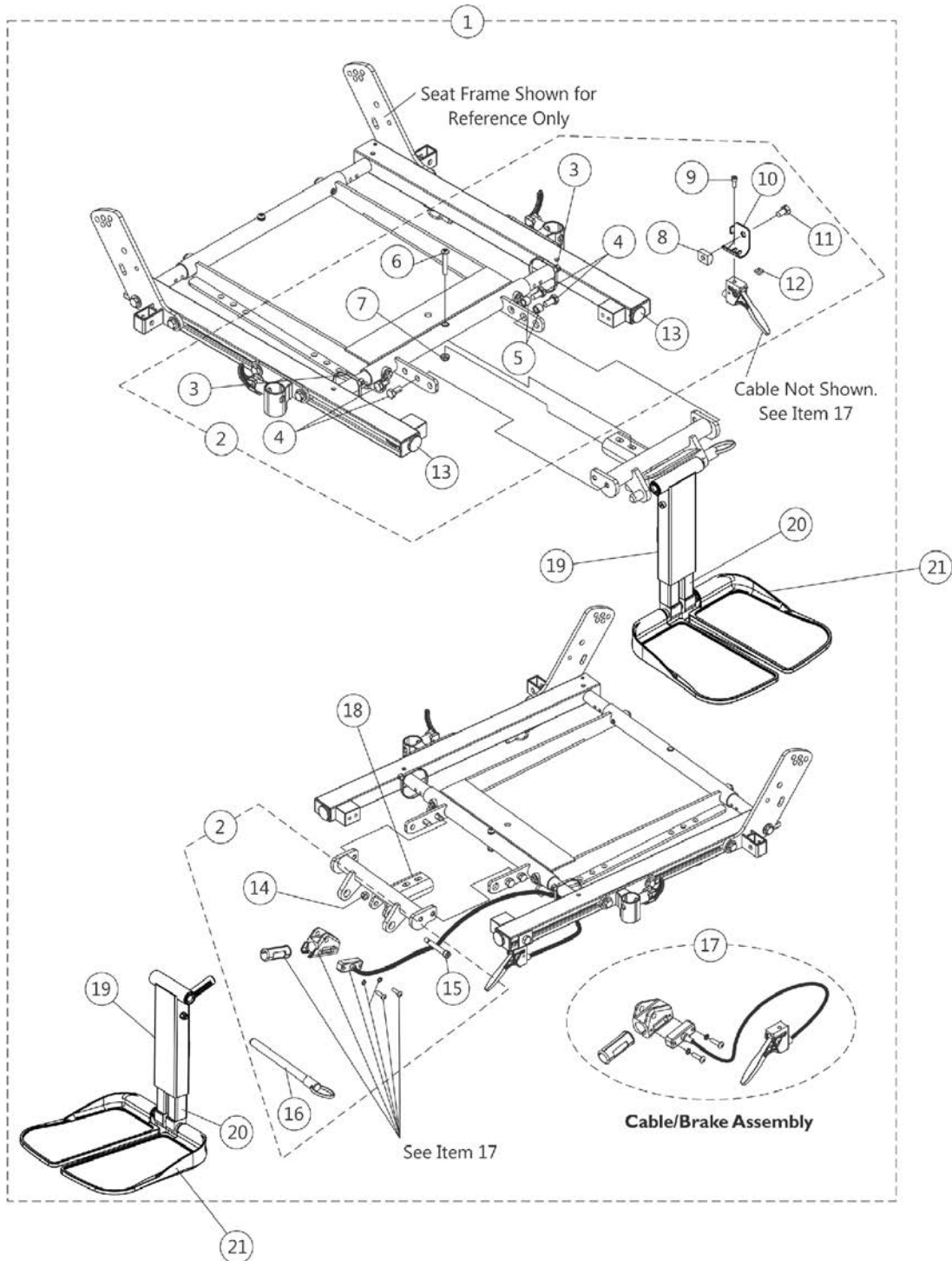
Footplate Side	Small 5-1/4" W x 7-1/2" L	Medium 5-1/2" W x 9-1/2" L	Large 5-7/8" W x 11-1/2" L
Right	1170683 See Note(s) A	1170685 See Note(s) A	1170687 See Note(s) A
Left	1170684 See Note(s) A	1170686 See Note(s) A	1170688 See Note(s) A

NOTE: A - The footplate mounting hardware included is for adjustable width only.

Center Mount Rigging Kit CTMT-FJ, CTMT-F/CTMT-FL

(TDX After 7/4/05) (M71 After 8/7/05) (M91 After 10/3/05) thru 12/09/08

For exploded assembly views of non-adjustable width footplate hardware (Before 12/15/10) refer to category titled, "Center Mount Rigging (CTMT-J/CTMT-FJ/CTMT/CTMT-F/CTMT-L/CTMT-FL) - After 12/09/08".



Center Mount Rigging Kit CTMT-FJ, CTMT-F/CTMT-FL

(TDX After 7/4/05) (M71 After 8/7/05) (M91 After 10/3/05) thru 12/09/08

For exploded assembly views of non-adjustable width footplate hardware (Before 12/15/10) refer to category titled, "Center Mount Rigging (CTMT-J/CTMT-FJ/CTMT/CTMT-F/CTMT-L/CTMT-FL) - After 12/09/08".

Item Number	Note	Part Number	Description	Quantity Per	
				Package	Assembly
1	A,C	1129453-NLA	NLA - Kit, Center Mount Rigging (CTMT-F 11"-15" Range & 16"-19" Seat Depths)	1	1
1	A,C	1129454-NLA	NLA - Kit, Center Mount Rigging (CTMT-FL 14"-18" Range & 16"-19" Seat Depths)	1	1
1	A,C	1129455-NLA	NLA - Kit, Center Mount Rigging (CTMT-FJ 9-1/2"-11" Range & 16"-19" Seat Depths)	1	1
1	A,C	1134118-NLA	NLA - Kit, Center Mount Rigging (CTMT-F 11"-15" Range & 19"-22" Seat Depths)	1	1
1	A,C	1134119-NLA	NLA - Kit, Center Mount Rigging (CTMT-FL 14"-18" Range & 19"-22" Seat Depths)	1	1
1	A,C	1134120-NLA	NLA - Kit, Center Mount Rigging (CTMT-FJ 9-1/2"-11" Range & 19"-22" Seat Depths)	1	1
2	B	1129451-NLA	NLA - Kit, CTMT-F/CTMT-FL/CTMT-FJ Center Mount Riggings Mounting Hardware	1	1
3			Tie Wrap (11-1/2" L)	1	2
4			Screw, Hex Head w/ Patch (5/16-18 x 5/8")	1	4
5			Spacer (5/16 x 7/16 x 3/8")	1	2
6			Screw, Socket Button Head (1/4-20 x 1-1/2")	1	1
7			Locknut (1/4-20)	1	1
8			T-Nut (5/16-18)	1	1
9			NLA - Screw, Socket Head (#10-32 x 1/2")	1	1
10			Bracket, Release Handle Mounting, Black	1	1
11			NLA - Screw, Hex Head w/ Patch (5/16-18 x 1/2")	1	1
12			Nut, Square (#10-32)	1	1
13			Plug Button, Black (1")	1	2
14			Locknut (1/4-20)	1	1
15			Screw, Shoulder Hex Socket Head (5/16" x 1-5/8", 1/4-20)	1	1
16			NLA - Pin, Quick Release (5" Long)	1	1
17		1121079	Cable/Brake Assembly w/ Ratchet Housing and Glide Bearing	1	1
18		1122675	Support, Center Mount Rigging, Black (16 - 19" D)	1	1
18		1136001	Support, Center Mount Rigging, Long, Black (19 - 22" D)	1	1
	D	1129450-NLA	NLA - Instruction Sheet, Center Mount Rigging Kit For ADJASBA Seats	1	1
19		1117262	Kit, Center Mount Front Rigging (CTMT) (CTMT-F), ASBA/ADJASBA (11" - 15" Range)	1	1
			Rack, Center Mount Rigging Angle Adjustable	1	1
			Support, Footrest, Center Mount, Black - Regular	1	1
			Bearing, Flange (1/2 x 13/16 x 1/2")	1	2

Center Mount Rigging Kit CTMT-FJ, CTMT-F/CTMT-FL

(TDX After 7/4/05) (M71 After 8/7/05) (M91 After 10/3/05) thru 12/09/08

For exploded assembly views of non-adjustable width footplate hardware (Before 12/15/10) refer to category titled, "Center Mount Rigging (CTMT-J/CTMT-FJ/CTMT/CTMT-F/CTMT-L/CTMT-FL) - After 12/09/08".

Item Number	Note	Part Number	Description	Quantity Per				
				Package	Assembly			
19		1117263	Cleat, Button Head	1	2			
			Screw, Socket, Button Head w/ Patch (5/16-18 x 3/4")	1	6			
			Tube, Extension, Footrest, Medium, Black - Right	1	1			
			Tube, Extension, Footrest, Medium, Black - Left	1	1			
			Screw, Shoulder Hex Socket Head (5/16" x 2-1/2", 1/4-20)	1	1			
			Washer (1/4 x 1/2 x 1/16")	1	1			
			Locknut (1/4-20)	1	1			
			NLA - Washer, Wave (17/32 x 3/4 x 1/64")	1	2			
			Screw, Socket Button Head (1/4-20 x 1-1/2")	1	2			
			Washer, Nylon (5/16 x 11/16 x 1/16")	1	2			
			Washer (1/2 x 7/8 x 3/64")	1	2			
			Spacer, Nylon (1/2 x 3/4 x 1/4")	1	8			
			Kit, Center Mount Front Rigging (CTMT-L) (CTMT-FL), ASBA/ADJASBA (14" - 18" Range)	1	1			
			Rack, Center Mount Rigging Angle Adjustable	1	1			
			Support, Footrest, Center Mount, Black - Regular	1	1			
			Bearing, Flange (1/2 x 13/16 x 1/2")	1	2			
			Cleat, Button Head	1	2			
			Screw, Socket, Button Head w/ Patch (5/16-18 x 3/4")	1	6			
			19		1121990	Tube, Extension, Footrest, Long, Black - Right	1	1
						Tube, Extension, Footrest, Long, Black - Left	1	1
Screw, Shoulder Hex Socket Head (5/16" x 2-1/2", 1/4-20)	1	1						
Washer (1/4 x 1/2 x 1/16")	1	1						
Locknut (1/4-20)	1	1						
NLA - Washer, Wave (17/32 x 3/4 x 1/64")	1	2						
Screw, Socket Button Head (1/4-20 x 1-1/2")	1	2						
Washer, Nylon (5/16 x 11/16 x 1/16")	1	2						
Washer (1/2 x 7/8 x 3/64")	1	2						
Spacer, Nylon (1/2 x 3/4 x 1/4")	1	8						
Kit, Center Mount Front Rigging, Junior (CTMTJ/CTMT-FJ) ASBA/ADJASBA (9-1/2" - 11" Range)	1	1						
Rack, Center Mount Rigging Angle Adjustable	1	1						
Support, Footrest, Center Mount, Black - Short	1	1						
Bearing, Flange (1/2 x 13/16 x 1/2")	1	2						
Cleat, Button Head	1	2						

Center Mount Rigging Kit CTMT-FJ, CTMT-F/CTMT-FL

(TDX After 7/4/05) (M71 After 8/7/05) (M91 After 10/3/05) thru 12/09/08

For exploded assembly views of non-adjustable width footplate hardware (Before 12/15/10) refer to category titled, "Center Mount Rigging (CTMT-J/CTMT-FJ/CTMT/CTMT-F/CTMT-L/CTMT-FL) - After 12/09/08".

Item Number	Note	Part Number	Description	Quantity Per	
				Package	Assembly
			Screw, Socket, Button Head w/ Patch (5/16-18 x 3/4")	1	6
			Tube, Extension, Footrest, Short, Black - Right	1	1
			Tube, Extension, Footrest, Short, Black - Left	1	1
			Screw, Shoulder Hex Socket Head (5/16" x 2-1/2", 1/4-20)	1	1
			Washer (1/4 x 1/2 x 1/16")	1	1
			Locknut (1/4-20)	1	1
			NLA - Washer, Wave (17/32 x 3/4 x 1/64")	1	2
			Screw, Socket Button Head (1/4-20 x 1-1/2")	1	2
			Washer, Nylon (5/16 x 11/16 x 1/16")	1	2
			Washer (1/2 x 7/8 x 3/64")	1	2
			Spacer, Nylon (1/2 x 3/4 x 1/4")	1	8
20		See Chart	#20 Extension Tube Kits After 12/14/10	1	1
21		See Chart	#21 Footplate Kits After 12/14/10	1	1
NOTE: A - Includes items 1, 2, 17-20 and the Instruction Sheet B - Includes items 3-16 C - As of 12/15/10 item #19 was revised to accommodate adjustable width footplate hardware. If footplates are needed see item #21. D - Not Shown					

#20 Extension Tube Kits After 12/14/10

Front Rigging Side	Short 9-1/2" - 11" Range	Medium 11" - 15" Range	Long 14" - 18" Range
Right	1170677 See Note(s) A	1170679 See Note(s) A	1170681 See Note(s) A
Left	1170678 See Note(s) A	1170680 See Note(s) A	1170682 See Note(s) A
NOTE: A - The Extension Tube Kits are used for adjustable width footplate hardware only.			

#21 Footplate Kits After 12/14/10

Footplate Side	Small 5-1/4" W x 7-1/2" L	Medium 5-1/2" W x 9-1/2" L	Large 5-7/8" W x 11-1/2" L
Right	1170683 See Note(s) A	1170685 See Note(s) A	1170687 See Note(s) A

Center Mount Rigging Kit CTMT-FJ, CTMT-F/CTMT-FL

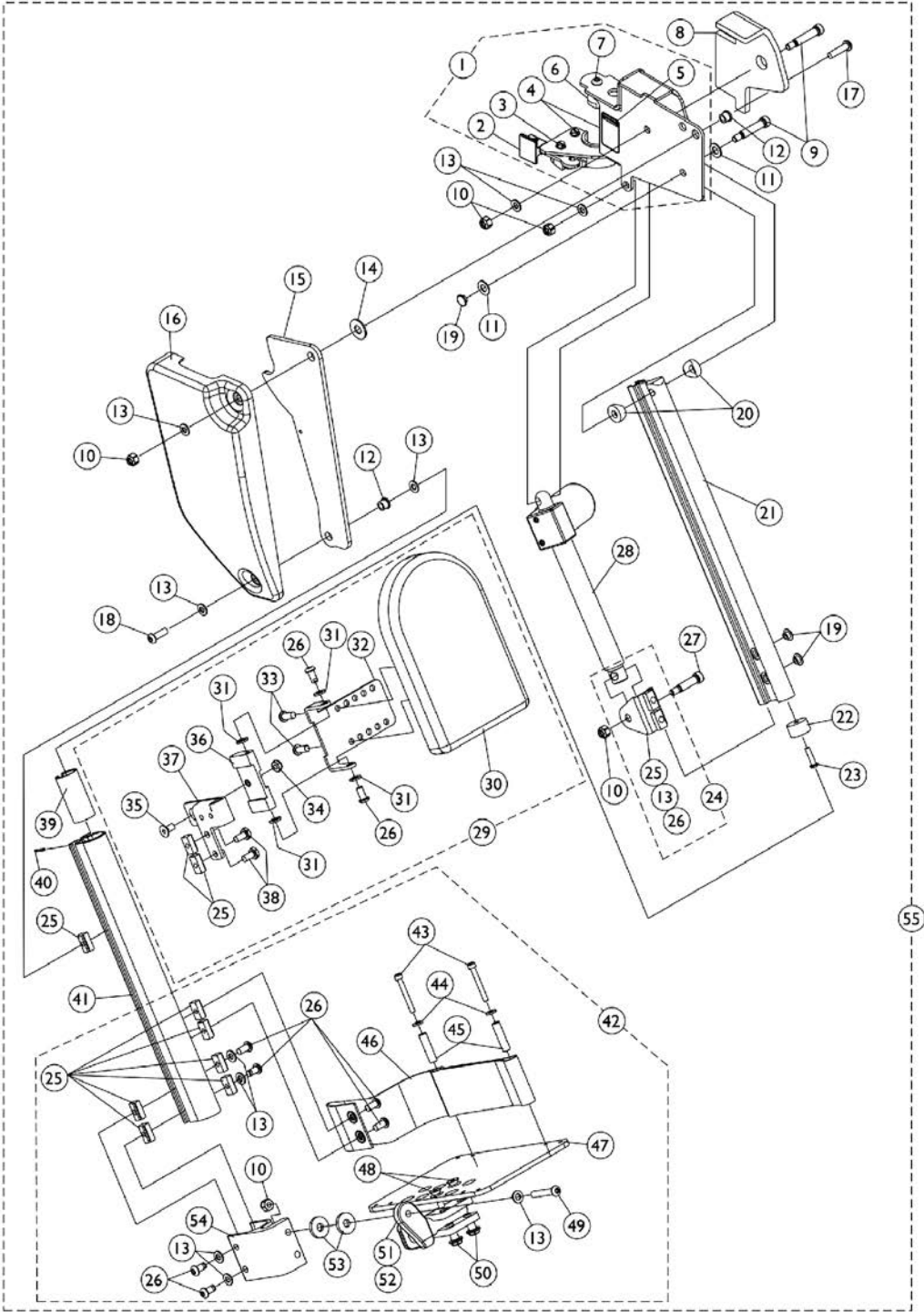
(TDX After 7/4/05) (M71 After 8/7/05) (M91 After 10/3/05) thru 12/09/08

For exploded assembly views of non-adjustable width footplate hardware (Before 12/15/10) refer to category titled, "Center Mount Rigging (CTMT-J/CTMT-FJ/CTMT/CTMT-F/CTMT-L/CTMT-FL) - After 12/09/08".

#21 Footplate Kits After 12/14/10

Footplate Side	Small 5-1/4" W x 7-1/2" L	Medium 5-1/2" W x 9-1/2" L	Large 5-7/8" W x 11-1/2" L
Left	1170684 See Note(s) A	1170686 See Note(s) A	1170688 See Note(s) A
NOTE: A - The footplate mounting hardware included is for adjustable width only.			

Power Articulating Legrest - ELRPW/ELRPW22



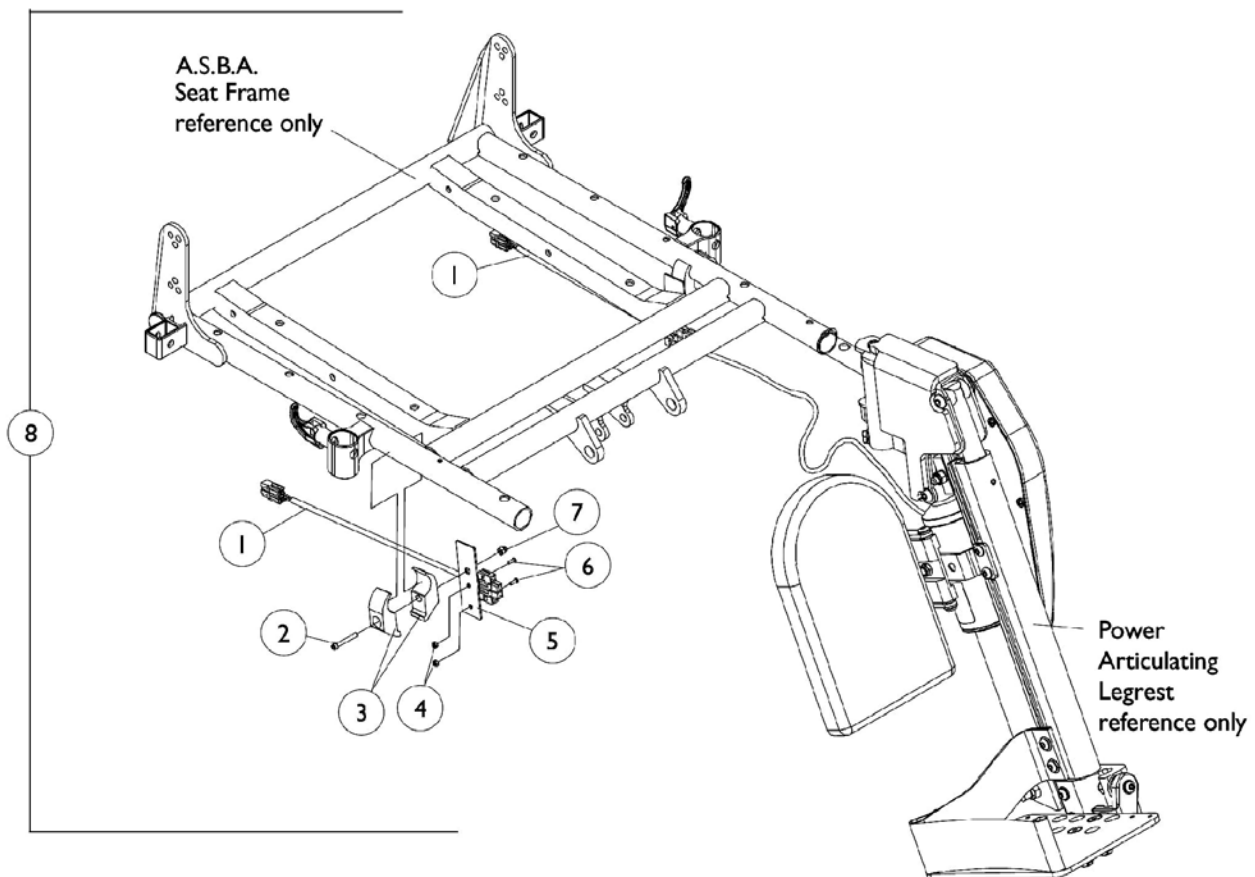
Power Articulating Legrest - ELRPW/ELRPW22

Item Number	Note	Part Number	Description	Quantity Per	
				Package	Assembly
1	A	1125436	Legrest Support Assembly, Sector, Black - Right	1	1
1	A	1125437	Legrest Support Assembly, Sector, Black - Left	1	1
2		1025454	Housing, Latch - Right	1	1
2		1025455	Housing, Latch - Left	1	1
3		1017423	Screw, Slotted Hex Washer Head w/ Patch (#10-32 x 1/2")	1	1
4		1025451	Screw, Slotted Hex Washer Head (#10-32 x 5/8")	1	2
5		1079203	Decal, Warning Pinch Point	1	1
6		1099685	Plug, Pivot	1	1
7		1091870	Screw, Socket Button Head w/ Patch (1/4-20 x 3/4")	1	1
8		1125433	Pad, Cushion - Right	1	1
8		1125434	Pad, Cushion - Left	1	1
9		1025351-NLA	NLA - Screw, Shoulder Hex Socket Head (5/16" x 1-1/4", 1/4-20)	1	2
10		1025736	Locknut (1/4-20)	1	5
11		1025704	Washer, Flat (5/16 x 5/8 x 1/16")	1	1
12		1099671	Bearing, Flange (1/4 x 5/16" Long)	1	2
13		1026907	Washer (1/4 x 1/2 x 1/16")	1	12
14		1012371	Washer, Nylon (3/8 x 7/8 x 1/16")	1	1
15		1125424	Plate, Pivot	1	1
16		1110746	Cover, Legrest Support - Right	1	1
16		1110747	Cover, Legrest Support - Left	1	1
17		1009837	Screw, Socket Button Head (1/4-20 x 1")	1	1
18		1091870	Screw, Socket Button Head w/ Patch (1/4-20 x 3/4")	1	1
19		1101883	Glide	1	2
20		0175600	Spacer, Coved (5/16 x 3/4 x 3/8")	1	2
21		1110741	Extrusion, Internal Slide (14-1/4" L)	1	1
22		1099702	Glide, Internal	1	1
23		1018846	Screw, Socket Button Head (#10-24 x 3/4")	1	1
24	B	1110972	Actuator Motor Bracket Assembly	1	1
25		1082699	T-Nut (1/4-20)	1	11
26		1100023	Screw, Button Head w/ Patch (1/4-20 x 1/2")	1	10
27		1087417-NLA	NLA - Screw, Shoulder Hex Socket Head (5/16" x 1", 1/4-20)	1	1
28		1110724	Motor, Actuator - Right	1	1
28		1110725	Motor, Actuator - Left	1	1
29	C	8881110977	Calf Pad Assembly with Hardware - Right	1	1
29	C	8881111715	Calf Pad Assembly with Hardware - Left	1	1
30		88804529X003	Pad, Legrest, Vinyl - Right	1	1
30		88804529X004	Pad, Legrest, Vinyl - Left	1	1
	D,F	1110748-NLA	NLA - Hardware, Calf Pad Bracket	1	1
31		1026033	Washer, Nylon (1/4 x 1/2 x 1/16")	1	4
32		1099700-NLA	NLA - Bracket, Calf Pad Mounting, Black	1	1
33		1029157	Screw, Phillips Pan Head w/Patch (#10-32 x 7/8")	1	2
34		1025765	Locknut (1/4-28)	1	1

Power Articulating Legrest - ELRPW/ELRPW22

Item Number	Note	Part Number	Description	Quantity Per	
				Package	Assembly
35		1074191-NLA	NLA - Screw, Socket Flat Head (1/4-28 x 1/2")	1	1
36		1099690-NLA	NLA - Block, Calf Pad	1	1
37		1111716	Bracket, Calf Pad Block Mounting, Black - Right	1	1
37		1111717	Bracket, Calf Pad Block Mounting, Black - Left	1	1
38		1078214	Screw, Hex Head w/ Patch (1/4-20 x 1/2")	1	2
39		1110742	Bushing, Sleeve	1	1
40		1079151-NLA	NLA - Pin, Roll (5/64 x 5/8")	1	1
41		1121026	Extrusion, External (12-1/2" L) (ELRPW22 Before 7/22/04) and (ELRPW20 After 7/21/04)	1	1
41		1125435	Extrusion, External - ELRPW22 (14-1/2" L)	1	1
42	E	1101114	Footplate Assembly, Adjustable Angle, Black - Right (5-1/4" W)	1	1
42	E	1101115	Footplate Assembly, Adjustable Angle, Black - Left (5-1/4" W)	1	1
43		1023965-NLA	NLA - Screw, Socket Head (#10-32 x 1-1/2")	1	2
44		1028516	Washer, Steel (3/16 x 7/16 x 1/16")	1	2
45		1015629-NLA	NLA - Bushing	1	2
46		1101268	Heel Loop Assembly - Right	1	1
46		1101269	Heel Loop Assembly - Left	1	1
47		1060427-NLA	NLA - Footplate, Adjustable Angle, Large, Black (5-1/4" W x 8" L)	1	1
48		1029545	Screw, Socket Flat Head (1/4-20 x 3/4")	1	2
49		1008495	Screw, Socket Button Head (1/4-20 x 1-1/2")	1	1
50		1082686	Nut, Barrel, Hex Head (1/4-20 x 11/16")	1	2
51		1052102	Hinge, Footplate - Right	1	1
51		1052103	Hinge, Footplate - Left	1	1
52		1048816	Screw, Nylon Adjustment (1/2-13 x 7/8")	1	1
53		1016301	Washer, Nylon (5/16 x 7/8 x 1/8")	1	2
54		1099678	Extrusion, Footplate Adapter	1	1
55	G	1126091	Legrest Assembly, Power Articulating, Sector, Black (13 - 20" Range) - Right	1	1
55	G	1126092	Legrest Assembly, Power Articulating, Sector, Black (13 - 20" Range) - Left	1	1
55	G	1126093	Legrest Assembly, Power Articulating, Sector, Black (15 - 22" Range) - Right	1	1
55	G	1126094	Legrest Assembly, Power Articulating, Sector, Black (15 - 22" Range) - Left	1	1
<p>NOTE: A - Includes items 2-7 B - Includes items 13, 25 and 26 C - Includes Items 25, 26 and 30-38 D - Includes Items 25, 26, 31-36, 38 E - Includes Items 10, 13, 25, 26 and 43-54 F - Not Shown G - Includes items 1, 8-23, 24, 27, 28, 29, 39-41 and 42</p>					

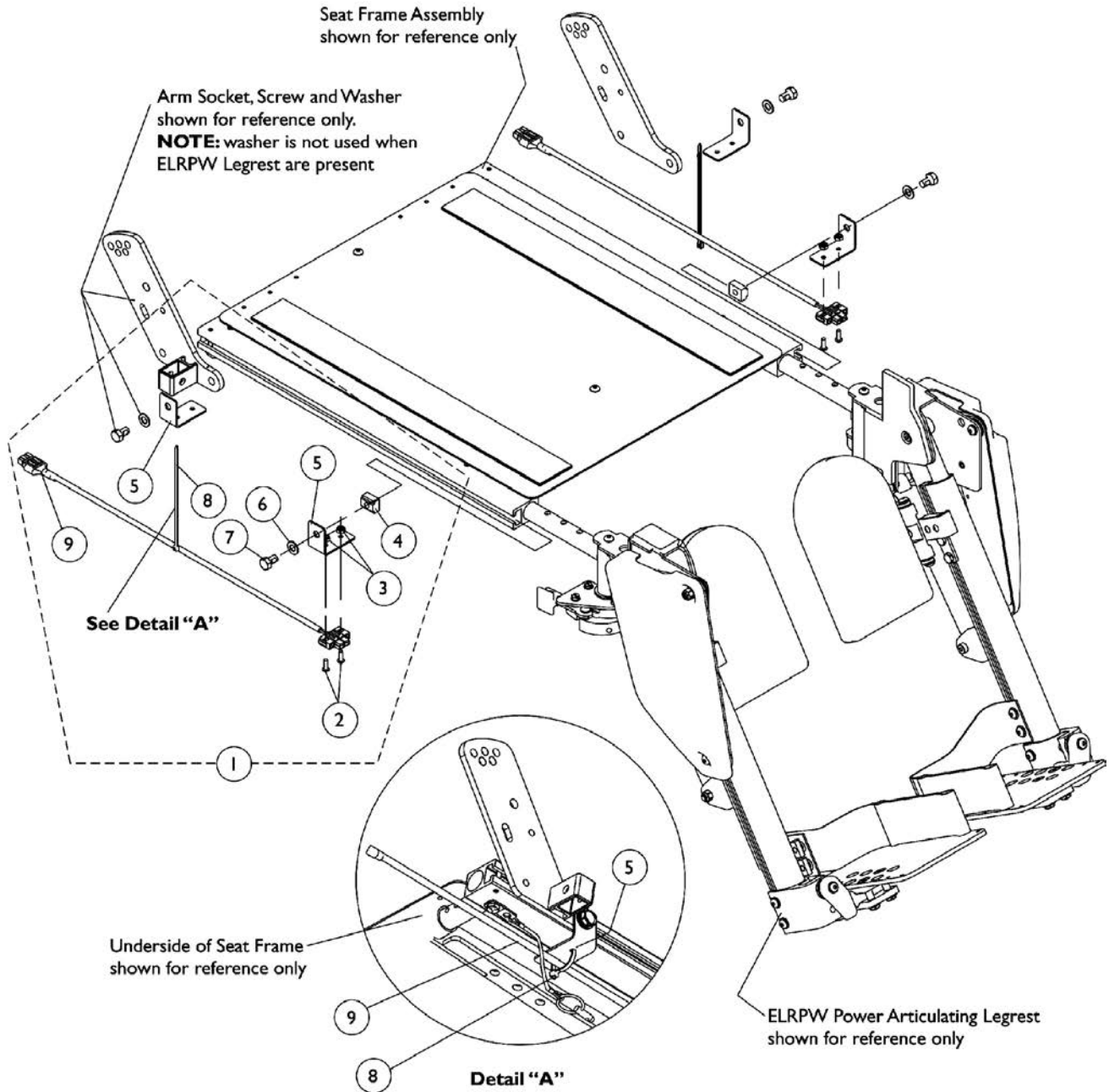
Power Articulating Legrest ELRPW/ELRPW22 Harnesses and Hardware For ASBA Seat (Before 7/5/05)



Power Articulating Legrest ELRPW/ELRPW22 Harnesses and Hardware For ASBA Seat (Before 7/5/05)

Item Number	Note	Part Number	Description	Quantity Per	
				Package	Assembly
1		1101400	Harness, ELRPW Power Legrest - Right	1	1
1		1101401	Harness, ELRPW Power Legrest - Left	1	1
2		1003424	Screw, Socket Head (1/4-20 x 1-3/4")	1	2
3		1018692-NLA	NLA - Clamp, Half, Non-Threaded	1	4
4		1056098	Locknut (#8-32)	1	4
5		1102022-NLA	NLA - Bracket, Harness Wire, Black	1	2
6		1091871-NLA	NLA - Screw, Socket Head (#8-32 x 5/8")	1	4
7		7930338-NLA	NLA - Nut, Acorn (1/4-20)	25	2
8	A	1101520-NLA	NLA - Kit, Power Leg Harness and Mounting Hardware	2	1
	B	1104253-NLA	NLA - Tie Wrap (8" L)	10	1
NOTE: A - Includes items 1-7 B - Not Shown					

Power Articulating Legrest ELRPW/ELRPW22 Harnesses and Hardware For ADJASBA Seat (After 7/4/05)



Power Articulating Legrest ELRPW/ELRPW22 Harnesses and Hardware For ADJASBA Seat (After 7/4/05)

Item Number	Note	Part Number	Description	Quantity Per	
				Package	Assembly
1	A,B	1125679-NLA	NLA - Kit, ELRPW Power Articulating Legrest Harnesses and Mounting Hardware (Pair)	2	1
2			NLA - Screw, Socket Head (#8-32 x 5/8")	1	4
3			Locknut (#8-32)	1	4
4			T-Nut (5/16-18)	1	2
5			NLA - Bracket, Wire Harness, Black	1	4
6			Washer, Flat (5/16 x 5/8 x 1/16")	1	2
7			NLA - Screw, Hex Head w/ Patch (5/16-18 x 1/2")	1	2
8			Tie Wrap (5-5/8" L)	1	2
9			NLA - Harness, ELRPW Power Legrest - Right	1	1
9			NLA - Harness, ELRPW Power Legrest - Left	1	1

NOTE: A - Includes items 2-9
 B - On 2/28/07 the Dual Leg Actuator Module (DLIAM) harness cable that plugs into item #9 ELRPW Power Legrest Harness Assembly was lengthened from approximately 3" to 20" long to eliminate the need for the ELRPW Power Legrest Harness Assemblies

MK6i Electronics

If you are looking for **MK6i™ Electronics** introduced to the Formula PTO Plus for Pronto M7I, M9I & TDX 3, 4 & 5 Pwr Wheelchairs on or about 10/9/06

The parts catalog information is now divided into two separate catalogs.

Web Page

The MK6i™ Electronics information can be found on the Invacare web page by selecting “Electronics MK6i™” in the “Select Parts Catalog” drop down menu.

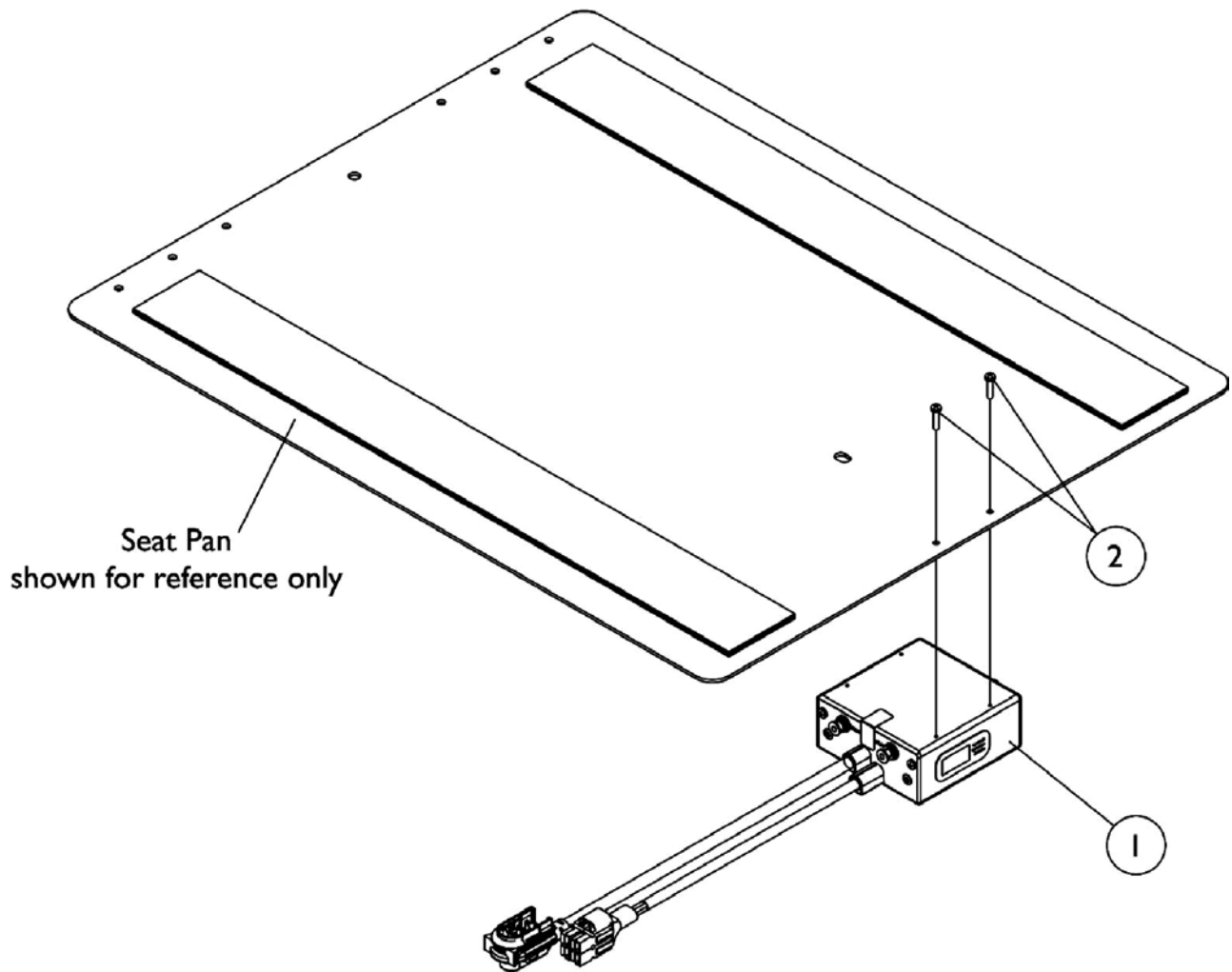


The screenshot shows the Invacare website's navigation area. At the top left is the Invacare logo with the tagline "Yes, you can." and the text "INVACARE HOME | NEW SEARCH" at the top right. Below the logo, there are three dropdown menus: "Select Product Group:" with "Power Wheelchairs & Scooters" selected, "Select Parts Catalog:" with "Electronics MK6i™" selected, and "Select Page In Catalog:" with "-Select-" selected. A blue "Go" button is to the right of the third dropdown. Below these menus is a navigation bar with links: "Catalog Literature:", "Archived Parts Books", and "Complete Parts PDF".

Printed Catalog

The MK6i™ Electronics information can be found in printed copy at our Literature Fulfillment Center listed under form # 06-110 and titled “MK6i™ Electronics”.

Dual Legs Integrated Actuator Module (DLIAM) MK6i For ELRPW Front Riggings

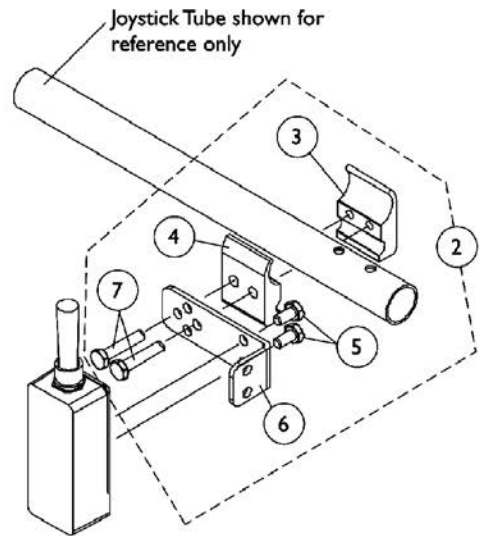
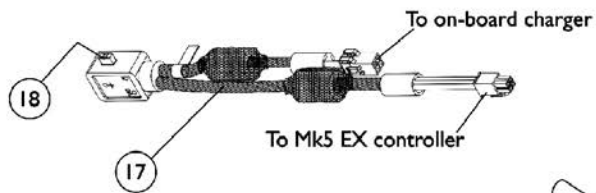
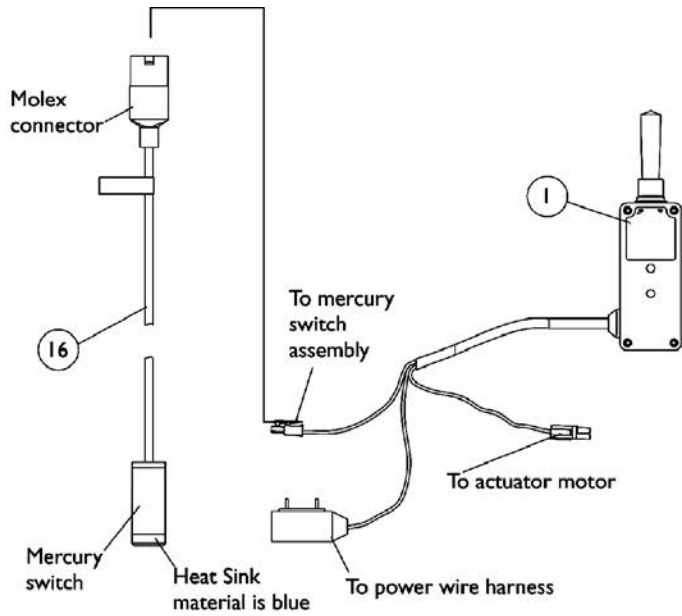


Dual Legs Integrated Actuator Module (DLIAM) MK6i For ELRPW Front Riggings

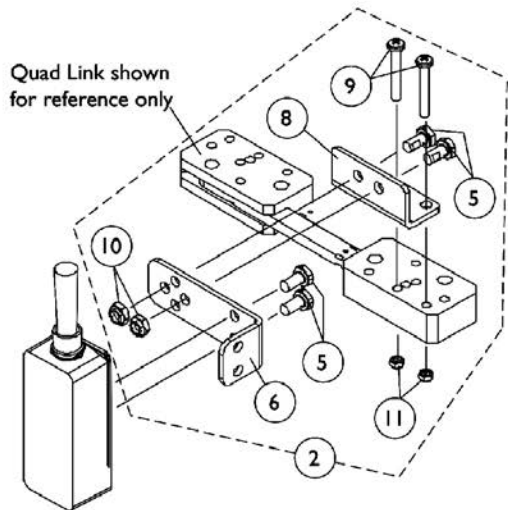
Item Number	Note	Part Number	Description	Quantity Per	
				Package	Assembly
1	A	1140032	Module, Dual Legs Integrated Actuator (DLIAM) - MK6i (54" L)	1	1
2		1021742	Screw, Phillips Pan Head (#4-40 x 1/2")	1	2
NOTE: A - On 2/28/07 the Dual Leg Actuator Module (DLIAM) harness cable lengthened from approximately 3" to 20" long to eliminate the need for the ELRPW Power Legrest Harness Assembly part numbers 1125656 RT and 1125657 LT					

Tilt Recline Single Switch (TRSS)

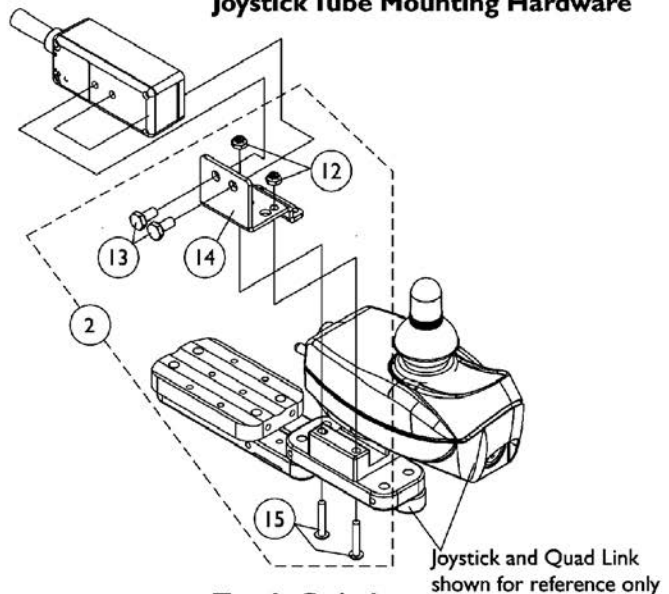
As of 7/1/2009, switches are mercury free. TRSS Tilt Recline Single Switch is not used with MK6i electronics.



Toggle Switch Joystick Tube Mounting Hardware



Toggle Switch Quad Link Mounting Hardware Before 10/31/05



Toggle Switch Quad Link Mounting Hardware After 10/30/05

Tilt Recline Single Switch (TRSS)

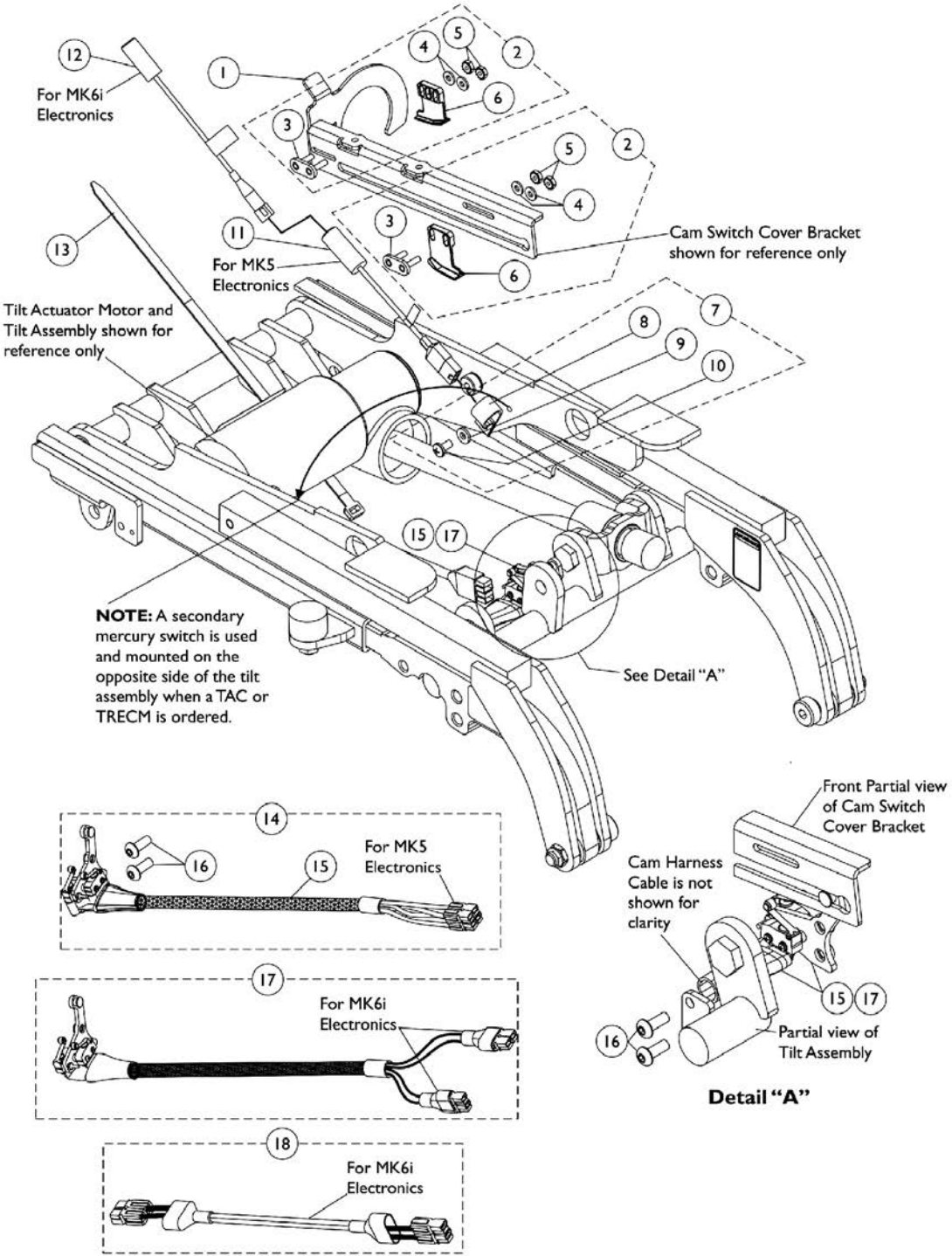
As of 7/1/2009, switches are mercury free. TRSS Tilt Recline Single Switch is not used with MK6i electronics.

Item Number	Note	Part Number	Description	Quantity Per	
				Package	Assembly
1		1089384	Switch, Toggle Tilt Recline Single (TRSS)	1	1
2	A	1091496	Kit, Joystick Tube Toggle Switch Mounting Hardware	1	1
3			NLA - Half Clamp, Threaded Holes	1	1
4			Half Clamp, Non-Threaded Holes	1	1
5			Screw, Hex Head w/ Patch (1/4-20 x 1/2")	1	2
6			NLA - Bracket, Toggle Switch Mounting, Black	1	1
7			NLA - Screw, Hex Head (1/4-20 x 1-1/8")	1	2
2	B	1091497-NLA	NLA - Kit, Quad Link Toggle Switch Mounting Hardware	1	1
5			Screw, Hex Head w/ Patch (1/4-20 x 1/2")	1	4
6			NLA - Bracket, Toggle Switch Mounting, Black	1	1
8			NLA - Bracket, Quad Link Toggle Switch Mounting, Black	1	1
9			Screw, Phillips Pan Head (#10-32 x 1-3/8")	1	2
10			Locknut (1/4-20)	1	2
11			Locknut (#10-32)	1	2
2	C	1139684-NLA	NLA - Kit, Quad Link Toggle Switch Mounting Hardware	1	1
12			Locknut (#10-32)	1	2
13			Screw, Hex Head w/ Patch (1/4-20 x 1/2")	1	2
14			Bracket, Toggle Switch Mounting, Black	1	1
15			Screw, Phillips Pan Head w/Patch (#10-32 x 7/8")	1	2
16		1080635-NLA	NLA - Harness, Recline/Tilt Limit Mercury Free Ball Switch	1	1
17	D	1127429-NLA	NLA - Cable, Splitter Auxiliary Power	1	1
18		1090117-NLA	NLA - Fuse - Buss Mini ATM-15 (15 AMP)	1	1
	E	1106544-NLA	NLA - Kit, Switch Clip with Mounting Hardware	1	1
			NLA - Bracket, Cable/Wire Mounting, Black	1	1
			Screw, Phillips Pan Head Tap (#10-16 x 3/4")	1	1
			Lockwasher, External Tooth (#10)	1	1

NOTE: A - Includes items 3-7
 B - Before 10/31/05 and Includes items 5, 6 and 8-11
 C - After 10/30/05 and includes items 12-15
 D - Used for Pronto M71 and M91 models with on-board chargers
 E - Not Shown. Includes 1 ea. part number 0062800, 1 ea. 0065706 and 1 ea. 1077143. Switch Clip Hardware is used to mount the Recline/Tilt Mercury Switch Harness

Cam Switches, Mercury Free Limit Switch & Mounting Hardware

Effective 7/1/2009, switches are mercury free.



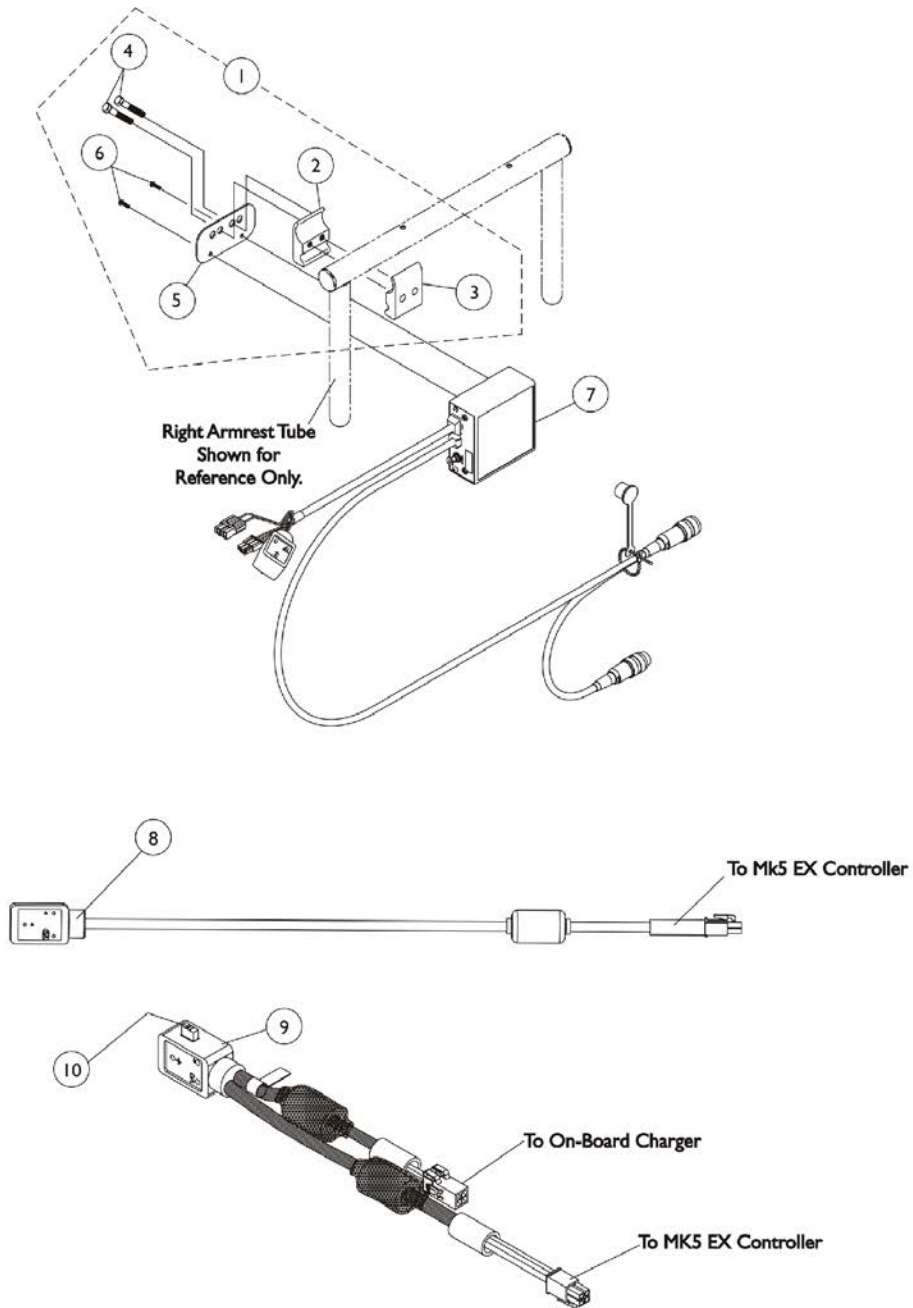
Cam Switches, Mercury Free Limit Switch & Mounting Hardware

Effective 7/1/2009, switches are mercury free.

Item Number	Note	Part Number	Description	Quantity Per	
				Package	Assembly
1		1126356-NLA	NLA - Bracket, Cam Switch Cover	1	1
2	A	1128386-NLA	NLA - Kit, Cam Switch Assembly with Mounting Hardware	1	2
3			NLA - Plate, Cam	1	1
4			NLA - Washer, Flat (5/32 x 3/8 x 1/32")	1	2
5			NLA - Nut, Keps (#6-32)	1	2
6			Switch, Cam	1	1
7	B	1128387-NLA	NLA - Kit, Switch Mounting Hardware	1	1
8			NLA - Bracket, Cable/Wire Mounting, Black	1	1
9			Washer, Steel (3/16 x 7/16 x 1/16")	1	1
10			Screw, Phillips Pan Head Tap (#10-32 x 3/8")	1	1
11	D	1080635-NLA	NLA - Harness, Recline/Tilt Limit Mercury Free Ball Switch	1	1
11	E	1123268-NLA	NLA - Harness, Tilt Mercury Free Ball Switch	1	1
11	F	1080634-NLA	NLA - Harness, Drive Lockout Mercury Free Ball Switch	1	1
12	G	1140099	Switch, Drive Lockout Mercury Free Ball (MK6i) (50" L)	1	1
13		1128389-NLA	NLA - Package, Tie Wrap (11" L)	10	1
14	C	1128388-NLA	NLA - Kit, Cam Switch Harness with Mounting Hardware	1	1
15			Harness, Cam Switch	1	1
16			NLA - Screw, Socket Button Head (#10-32 x 1/2")	1	2
16		1072319-NLA	NLA - Screw, Socket Button Head (#10-32 x 1/2")	1	2
17	I	1144848-NLA	NLA - Harness, Cam Switch (MK6i)	1	1
18	H	1145414	Cable, Actuator Jumper Adapter (MK6i)	1	1

NOTE: A - Includes items 3-6
 B - Includes items 8-10. When a TAC or TRECM is used, the quantity per assembly will require 2
 C - Includes items 15 and 16
 D - The MK5 SAC and TRSS use (1 ea. of part # 1080635 switch)
 E - The MK5 TRECM uses (one ea. of part # 1123268 switch) and (1 ea. of part # 1080634 switch)
 F - The MK5 TAC uses (two each of part # 1080634 switches)
 G - Only one switch required for MK6i electronics
 H - Only used with item 17 part # 1144848
 I - Item 16 Mounting Screws are not included with item 17 Harness part #1144848

MK5 SAC & Mounting Hardware

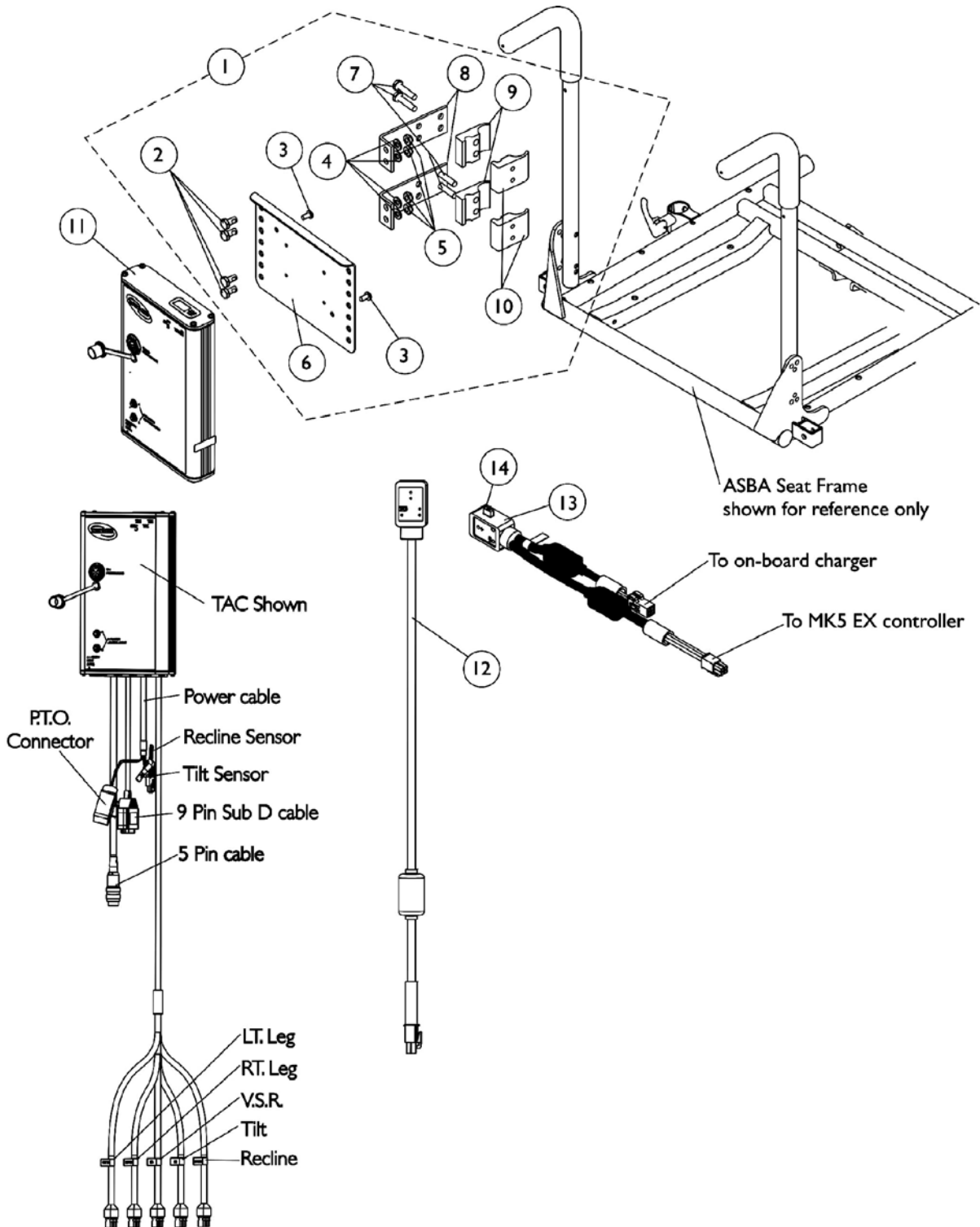


MK5 SAC & Mounting Hardware

Item Number	Note	Part Number	Description	Quantity Per	
				Package	Assembly
1	E	1049593	Kit, SNP/DI, MK5 SAC, 4WSB, S4WSB, GTAM, AUX12M6, AUX34M6 Mtg. Hdwr.	1	1
2			NLA - Half Clamp, Threaded Holes	1	1
3			Half Clamp, Non-Threaded Holes	1	1
4			NLA - Screw, Hex Head (1/4-20 x 1-1/8")	1	2
5			Screw, Phillips Pan Head (#4-40 x 3/8")	1	2
6			Plate, Mounting	1	1
2		1049584-NLA	NLA - Half Clamp, Threaded Holes	1	1
3		1049586	Half Clamp, Non-Threaded Holes	1	1
4		16690X004-NLA	NLA - Screw, Hex Head (1/4-20 x 1-1/8")	1	2
5		1049590	Plate, Mounting	1	1
6		1052041	Screw, Phillips Pan Head (#4-40 x 3/8")	1	2
7	D	1119458-NLA	NLA - Control, MK5 SAC	1	1
8	B	1119418	Cable, Auxiliary Power	1	1
9	C	1127429-NLA	NLA - Cable, Splitter Auxiliary Power	1	1
10		1090117-NLA	NLA - Fuse - Buss Mini ATM-15 (15 AMP)	1	1

NOTE: B - Used for TDX models
C - Used for Pronto M71 and M91 models with on-board chargers
D - MK5 SAC was discontinued 1/6/06 and replaced with a MK5 TAC. See page titled " MK5 TAC and Mounting Hardware".
E - As of 5/22/07 the Mounting Plate holes and the orientation of the Hardware was revised to attach the electronics closer to the chair. The Mounting Hardware Kit is backward compatible.

MK5 TAC & Mounting Hardware



MK5 TAC & Mounting Hardware

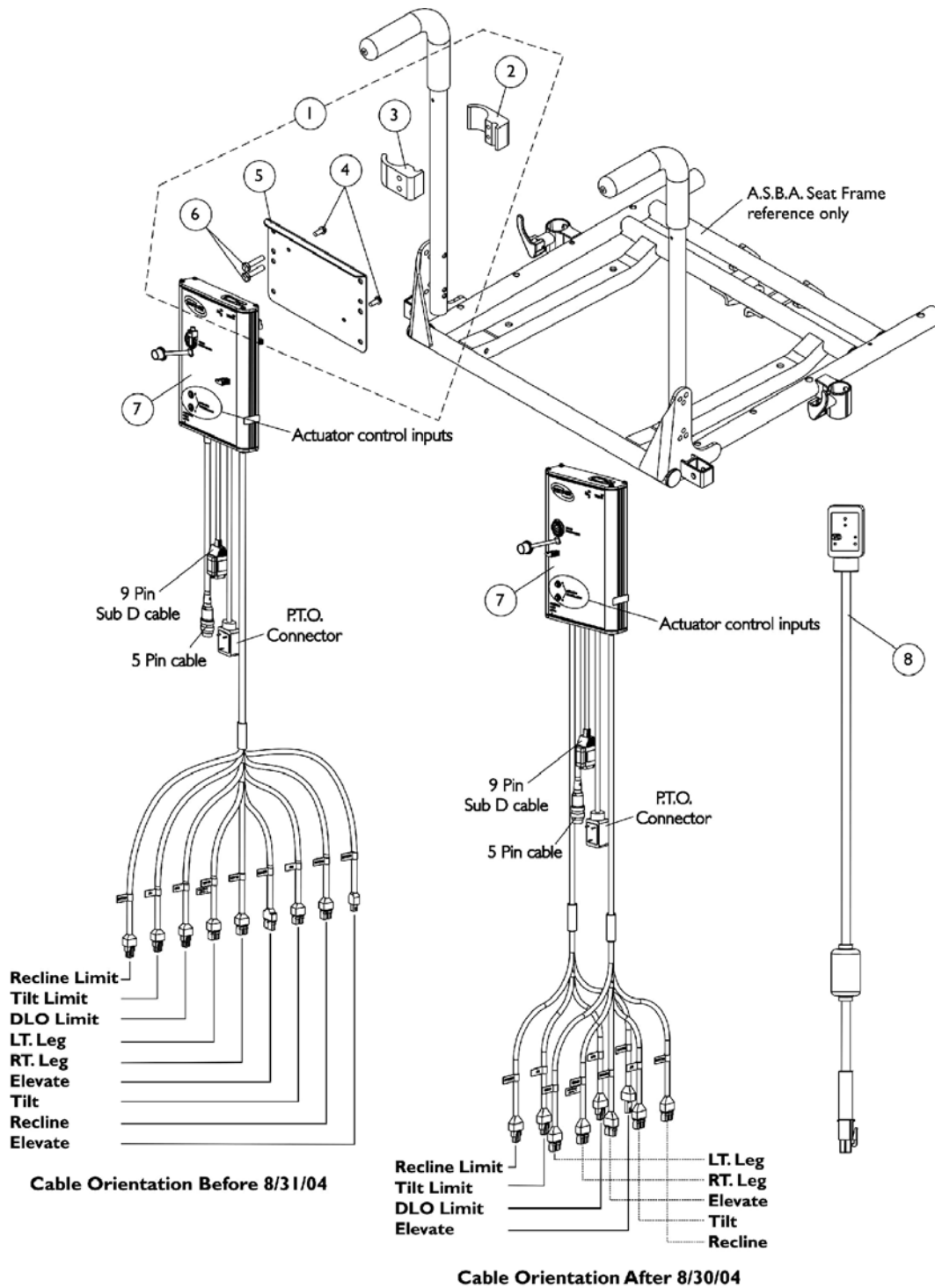
Item Number	Note	Part Number	Description	Quantity Per	
				Package	Assembly
1	F	1142600-NLA	NLA - Kit, MK5 TAC/TRECM Mounting Hardware	1	1
2			Screw, Hex Head w/ Patch (1/4-20 x 1/2")	1	4
3			NLA - Screw, Phillips Pan Head w/ Patch (#10-32 x 3/8")	1	2
4			Washer (1/4 x 1/2 x 1/16")	1	4
5			Locknut (1/4-20)	1	4
6			NLA - Bracket, Controller Mounting, Black	1	1
7			NLA - Screw, Hex Head (1/4-20 x 1-1/8")	1	4
8			NLA - Bracket, Standoff, Black	1	2
9			Half Clamp, Non-Threaded Holes	1	2
10			NLA - Half Clamp, Threaded Holes	1	2
11	C	1118728-NLA	NLA - Controller, MK5 TAC	1	1
12	A	1119418	Cable, Auxiliary Power	1	1
13	B	1127429-NLA	NLA - Cable, Splitter Auxiliary Power	1	1
14		1090117-NLA	NLA - Fuse - Buss Mini ATM-15 (15 AMP)	1	1
	D	1142589-NLA	Kit, MK5 SAC To MK5 TAC Conversion For Formula PTO Plus on Pronto M71/M91 & TDX	1	1
2			Screw, Hex Head w/ Patch (1/4-20 x 1/2")	1	4
3			NLA - Screw, Phillips Pan Head w/ Patch (#10-32 x 3/8")	1	2
4			Washer (1/4 x 1/2 x 1/16")	1	4
5			Locknut (1/4-20)	1	4
6			NLA - Bracket, Controller Mounting, Black	1	1
7			NLA - Screw, Hex Head (1/4-20 x 1-1/8")	1	4
8			NLA - Bracket, Standoff, Black	1	2
9			Half Clamp, Non-Threaded Holes	1	2
10			NLA - Half Clamp, Threaded Holes	1	2
11			NLA - Controller, MK5 TAC	1	1
			NLA - Harness, Drive Lockout Mercury Free Ball Switch	1	2
			NLA - Bracket, Cable/Wire Mounting, Black	1	1
			Washer, Steel (3/16 x 7/16 x 1/16")	1	1
			Screw, Phillips Pan Head Tap (#10-32 x 3/8")	1	1
			Tie Wrap (11-1/2" L)	1	10
			Tie Wrap (5-5/8" L)	1	10
			NLA - Instruction Sheet, MK5 SAC To MK5 TAC Conversion For Formula PTO Plus on Pronto M71/M91 & TDX	1	1
		1142589E-NLA	NLA - WARR RPLMT - MK5 SAC To MK5 TAC Conversion Kit For Formula PTO Plus on Pronto M71/M91 & TDX	1	1
2			Screw, Hex Head w/ Patch (1/4-20 x 1/2")	1	4
3			NLA - Screw, Phillips Pan Head w/ Patch (#10-32 x 3/8")	1	2
4			Washer (1/4 x 1/2 x 1/16")	1	4
5			Locknut (1/4-20)	1	4

MK5 TAC & Mounting Hardware

Item Number	Note	Part Number	Description	Quantity Per	
				Package	Assembly
6			NLA - Bracket, Controller Mounting, Black	1	1
9			Half Clamp, Non-Threaded Holes	1	2
10			NLA - Half Clamp, Threaded Holes	1	2
11			NLA - WARR RPLMT - Controller, MK5 TAC	1	1
			NLA - Bracket, Cable/Wire Mounting, Black	1	1
			Tie Wrap (5-5/8" L)	1	10
			Screw, Phillips Pan Head Tap (#10-32 x 3/8")	1	1
			Washer, Steel (3/16 x 7/16 x 1/16")	1	1
			NLA - Harness, Drive Lockout Mercury Free Ball Switch	1	2
	E	1128387-NLA	NLA - Kit, Switch Mounting Hardware	1	2
			NLA - Bracket, Cable/Wire Mounting, Black	1	1
			Washer, Steel (3/16 x 7/16 x 1/16")	1	1
			Screw, Phillips Pan Head Tap (#10-32 x 3/8")	1	1
	E	1080634-NLA	NLA - Harness, Drive Lockout Mercury Free Ball Switch	1	2
	E	1095503-NLA	NLA - Package, Tie Wrap (5-5/8" L)	10	1
	E	1095502-NLA	NLA - Package, Tie Wrap (11-1/2" L)	10	1
	E	1141483-NLA	NLA - Instruction Sheet, MK5 SAC To MK5 TAC Conversion For Formula PTO Plus on Pronto M71/M91 & TDX	1	1
<p>NOTE: A - Used for TDX models B - Used for Pronto M71 and M91 models with on-board chargers C - When converting a MK5 SAC to a MK5 TAC, refer to the Conversion Kit part # 1142589. Conversion Kit includes all parts needed to convert a (PTO Plus on a Pronto M71/M91 & TDX) D - Not Shown. Kit components for a PTO Plus on a Pronto M71/M91 & TDX uses items 2-11, (part #'s 1080634, 0062800, 1028516, 1022597), Cable Ties and Instruction Sheet E - Not Shown F - Includes items 2-10</p>					
Effective (7/1/2009), switches are mercury free.					

MK5 TRECM and Mounting Hardware

Before 2/28/06

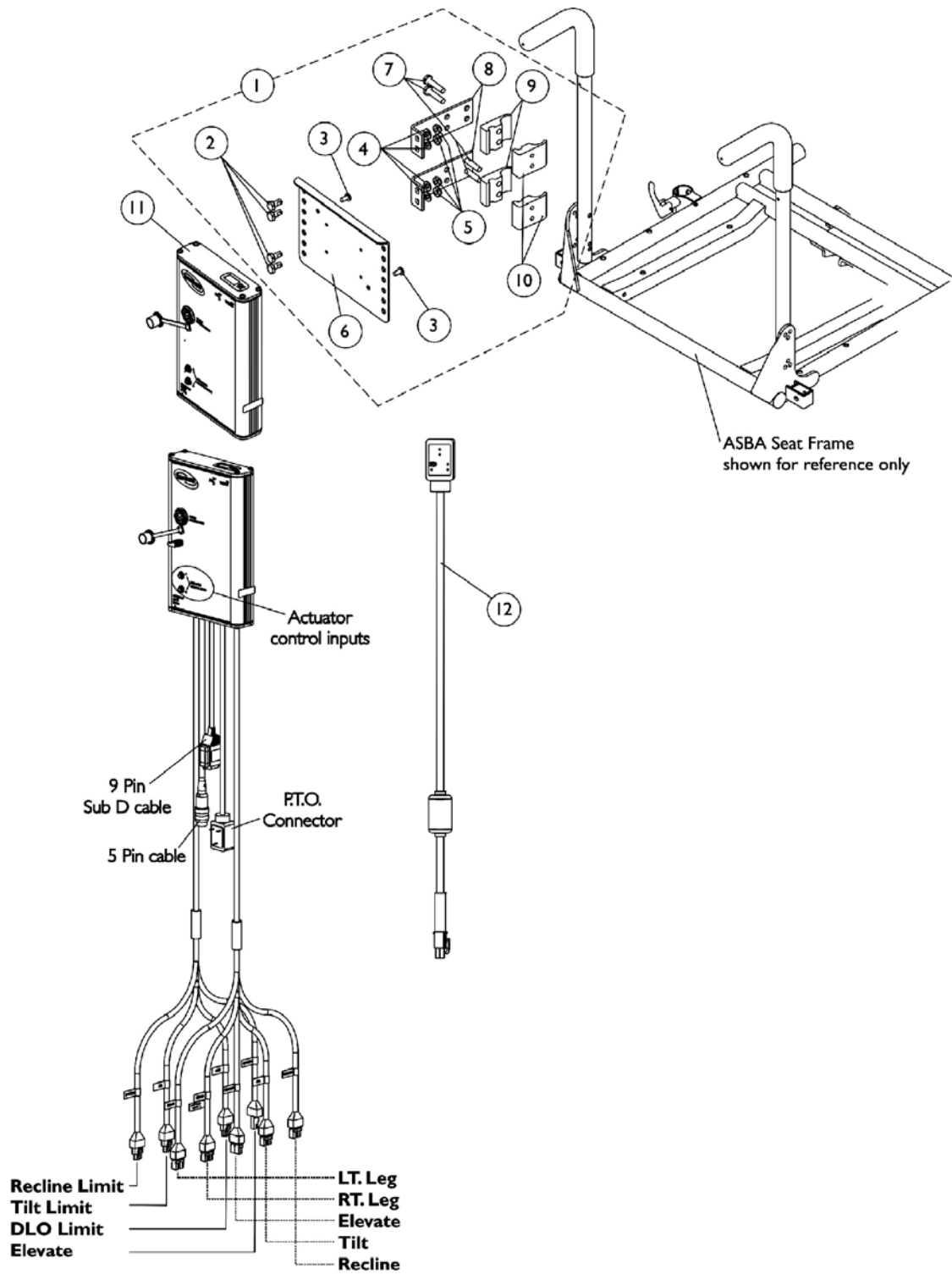


MK5 TRECM and Mounting Hardware Before 2/28/06

Item Number	Note	Part Number	Description	Quantity Per	
				Package	Assembly
1	A	1120262-NLA	Kit, MK5 TAC, TRCM, and TRECM Mounting Hardware	1	1
2			NLA - Half Clamp, Threaded Holes	1	1
3			Half Clamp, Non-Threaded Holes	1	1
4			NLA - Screw, Phillips Pan Head w/ Patch (#10-32 x 3/8")	1	2
5			NLA - Bracket, Controller Mounting, Black	1	1
6			NLA - Screw, Hex Head (1/4-20 x 1-1/8")	1	2
7	C	1123263-NLA	NLA - Controller, MK5 TRECM	1	1
8		1119418	Cable, Auxiliary Power	1	1
	B	1095503-NLA	NLA - Package, Tie Wrap (5-5/8" L)	10	1
	B	1090357-NLA	NLA - Wrap, Slit Wire Harness (1/2" O.D., 36" Long Cut To Length)	1	1

NOTE: A - Includes items 2-6
 B - Not Shown
 C - After 8/30/04 cable orientation was revised but the functionality remains the same. TRECM controllers made after 8/30/04 are backward compatible with seating systems made before 8/31/04. MK5 TRECM is used when ELRPW Power Articulating Legrest are ordered.

MK5 TRECM & Mounting Hardware (After 2/27/06)



MK5 TRECM & Mounting Hardware (After 2/27/06)

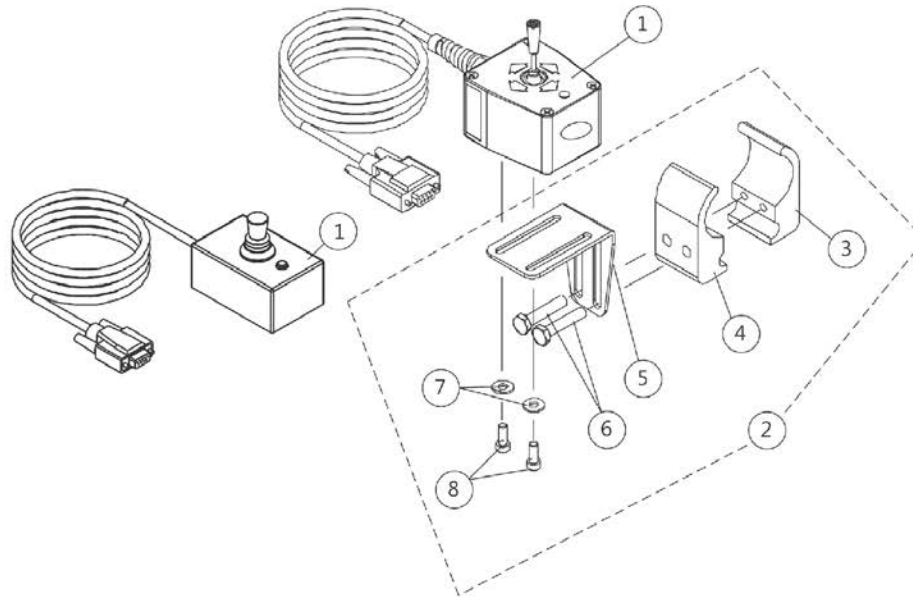
Item Number	Note	Part Number	Description	Quantity Per	
				Package	Assembly
1	A	1142600-NLA	NLA - Kit, MK5 TAC/TRECM Mounting Hardware	1	1
2			Screw, Hex Head w/ Patch (1/4-20 x 1/2")	1	4
3			NLA - Screw, Phillips Pan Head w/ Patch (#10-32 x 3/8")	1	2
4			Washer (1/4 x 1/2 x 1/16")	1	4
5			Locknut (1/4-20)	1	4
6			NLA - Bracket, Controller Mounting, Black	1	1
7			NLA - Screw, Hex Head (1/4-20 x 1-1/8")	1	4
8			NLA - Bracket, Standoff, Black	1	2
9			Half Clamp, Non-Threaded Holes	1	2
10			NLA - Half Clamp, Threaded Holes	1	2
11	B	1123263-NLA	NLA - Controller, MK5 TRECM	1	1
12		1119418	Cable, Auxiliary Power	1	1
	C	1095503-NLA	NLA - Package, Tie Wrap (5-5/8" L)	10	1
	C	1090357-NLA	NLA - Wrap, Slit Wire Harness (1/2" O.D., 36" Long Cut To Length)	1	1

NOTE: A - Includes items 2-10
 B - MK5 TRECM is used when ELRPW Power Articulating Legrest are ordered.
 C - Not Shown

Electronics

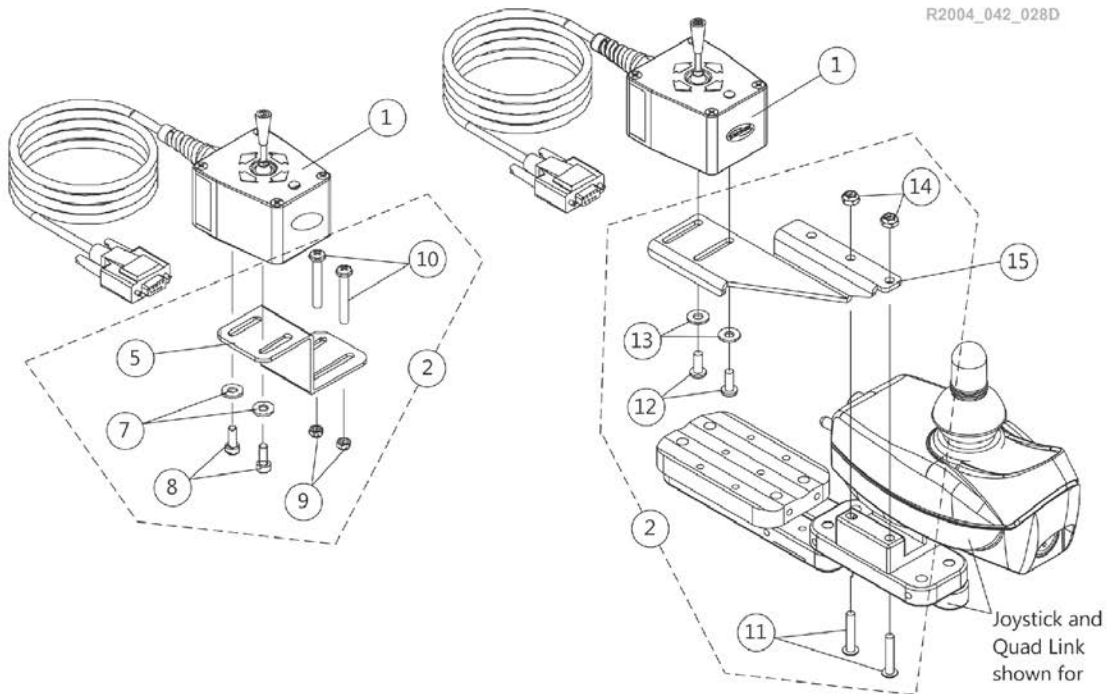
4-Way Switch and Mounting Hardware

NOTE: 4-way switch is used with a MK5 TRECM Controller



4-Way Switch
Joystick Tube Mounting Hardware

R2004_042_028D



4-Way Switch
Quad Link Mounting Hardware
Before 10/31/05

4-Way Switch
Quad Link Mounting Hardware
After 10/30/05

Electronics

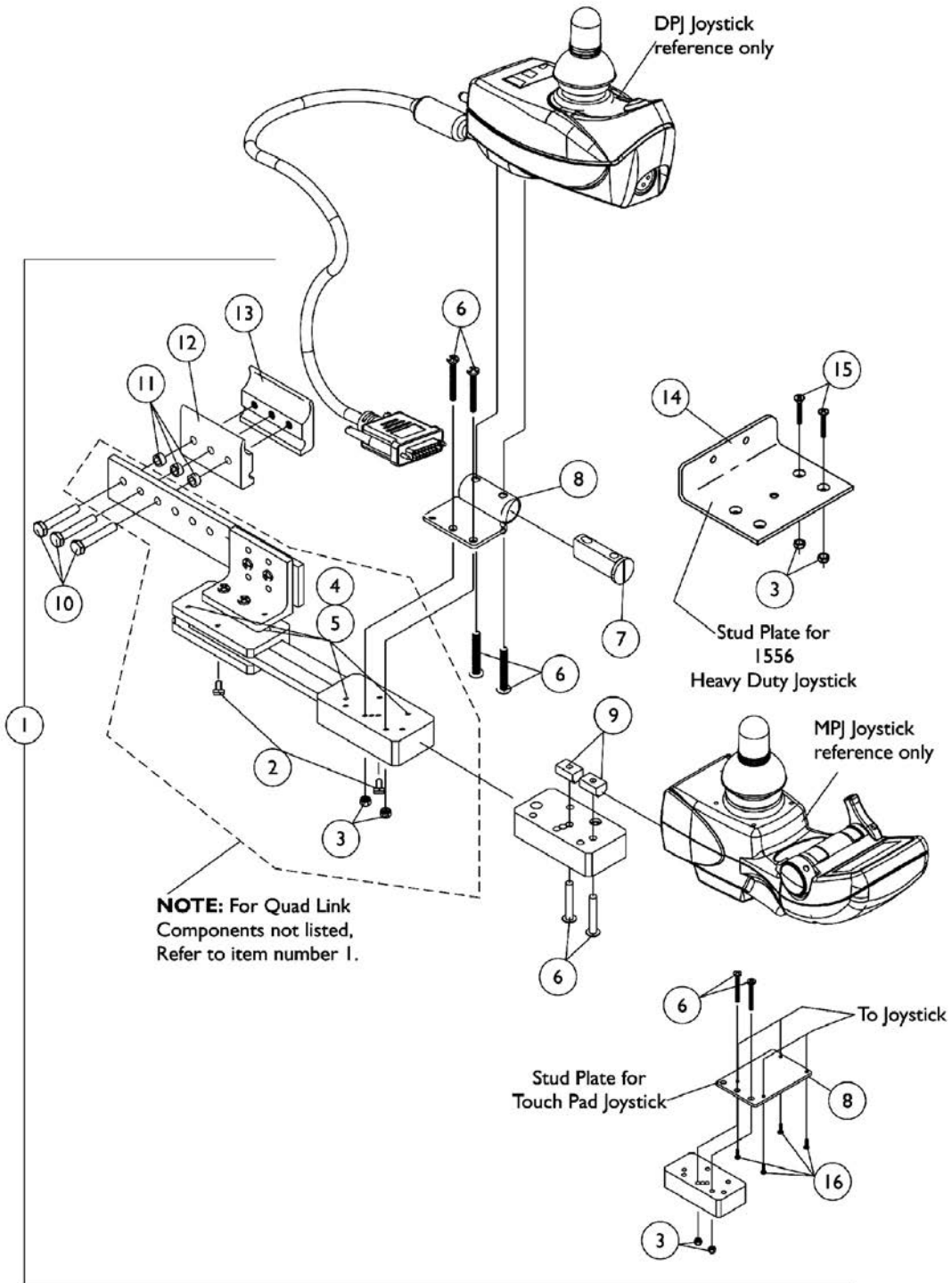
4-Way Switch and Mounting Hardware

NOTE: 4-way switch is used with a MK5 TRECM Controller

Item Number	Note	Part Number	Description	Quantity Per	
				Package	Assembly
1	D	1080116-NLA	NLA - Switch, 4-Way (FWT)	1	1
1		60105577	Kit, Switch, 4-Way (FWT)	1	1
2	A	1077519	Kit, 4-Way Switch Joystick Tube Mounting Hardware	1	1
3			NLA - Half Clamp, Threaded Holes	1	1
4			Half Clamp, Non-Threaded Holes	1	1
5			NLA - Bracket, Joystick Mounting, Black	1	1
6			NLA - Screw, Hex Head (1/4-20 x 1-1/8")	1	2
7			Washer (#10 Flat)	1	2
8			Screw, Phillips Pan Head (#10-32 x 1/2")	1	2
2	B,E	1077520-NLA	NLA - Kit, 4-Way Switch Quad Link Mounting Hardware	1	1
5			NLA - Bracket, Quad Link Mounting, Black	1	1
7			Washer (#10 Flat)	1	2
8			Screw, Phillips Pan Head (#10-32 x 1/2")	1	2
9			Locknut (#10-32)	1	2
10			Screw, Phillips Pan Head (#10-32 x 1-3/8")	1	2
2	C,E	1139418	Kit, 4-Way Switch Quad Link Mounting Hardware	1	1
11			Screw, Phillips Pan Head w/Patch (#10-32 x 7/8")	1	2
12			Screw, Phillips Pan Head (#10-32 x 1/2")	1	2
13			NLA - Washer, Nylon (#10)	1	2
14			Locknut (#10-32)	1	2
15		1134132	Bracket, 4-Way Switch Quad Link, Black - Right	1	1
15		1134133	Bracket, 4-Way Switch Quad Link, Black - Left	1	1

NOTE: A - Includes items 3-8
 B - Before 10/31/05. Includes items 5 and 7-10
 C - After 10/30/05. Includes items 11-14.
 D - Part #1080116 is No Longer Available. Order Item #1 part number 60105577 as a replacement. New design is rectangular in shape. It is recommended to order new hardware 1077519 as well.
 E - 4-Way Toggle Switch 60105577 is not compatible with this hardware.

Quad Link (Before 10/31/05)



Quad Link (Before 10/31/05)

Item Number	Note	Part Number	Description	Quantity Per	
				Package	Assembly
1	A	1052402-NLA	NLA - Kit, Quad Link Assembly - Right	1	1
2			NLA - Ball Plunger Assembly with Lock Washer	2	1
3			Locknut (#10-32)	1	2
4			NLA - Screw, Cap, Socket Head (#10-32 x 1/2")	1	4
5			NLA - Bushing, Bronze (3/16 x 1/4 x 1/4")	1	4
6			Screw, Phillips Pan Head (#10-32 x 1-1/8")	1	4
7			Spacer, Joystick Tube, Black	1	1
8			NLA - Stud Plate, Quad Link	1	1
10			Screw, Hex Head (1/4-20 x 1-1/2")	1	3
11			NLA - Spacer (1/4 x 3/8 x 3/16")	1	3
12			Half Clamp, Non-Threaded Holes	1	1
13			NLA - Half Clamp, Threaded Holes	1	1
1	A	1115372-NLA	NLA - Kit, Quad Link Assembly - Left	1	1
2			NLA - Ball Plunger Assembly with Lock Washer	2	1
3			Locknut (#10-32)	1	2
4			NLA - Screw, Cap, Socket Head (#10-32 x 1/2")	1	4
5			NLA - Bushing, Bronze (3/16 x 1/4 x 1/4")	1	4
6			Screw, Phillips Pan Head (#10-32 x 1-1/8")	1	4
7			Spacer, Joystick Tube, Black	1	1
8			NLA - Stud Plate, Quad Link	1	1
10			Screw, Hex Head (1/4-20 x 1-1/2")	1	3
11			NLA - Spacer (1/4 x 3/8 x 3/16")	1	3
12			Half Clamp, Non-Threaded Holes	1	1
13			NLA - Half Clamp, Threaded Holes	1	1
1	B	1117278-NLA	NLA - Kit, Quad Link Assembly - Right	1	1
2			NLA - Ball Plunger Assembly with Lock Washer	2	1
3			Locknut (#10-32)	1	2
4			NLA - Screw, Cap, Socket Head (#10-32 x 1/2")	1	4
5			NLA - Bushing, Bronze (3/16 x 1/4 x 1/4")	1	4
6			Screw, Phillips Pan Head (#10-32 x 1-1/8")	1	2
9			NLA - T-Nut (#10-32)	1	2
10			Screw, Hex Head (1/4-20 x 1-1/2")	1	3
11			NLA - Spacer (1/4 x 3/8 x 3/16")	1	3
12			Half Clamp, Non-Threaded Holes	1	1
13			NLA - Half Clamp, Threaded Holes	1	1
1	B		1117239-NLA	NLA - Kit, Quad Link Assembly - Left	1
2		NLA - Ball Plunger Assembly with Lock Washer		2	1
3		Locknut (#10-32)		1	2
4		NLA - Screw, Cap, Socket Head (#10-32 x 1/2")		1	4
5		NLA - Bushing, Bronze (3/16 x 1/4 x 1/4")		1	4
6		Screw, Phillips Pan Head (#10-32 x 1-1/8")		1	2
9		NLA - T-Nut (#10-32)		1	2
10		Screw, Hex Head (1/4-20 x 1-1/2")		1	3

Quad Link (Before 10/31/05)

Item Number	Note	Part Number	Description	Quantity Per	
				Package	Assembly
11			NLA - Spacer (1/4 x 3/8 x 3/16")	1	3
12			Half Clamp, Non-Threaded Holes	1	1
13			NLA - Half Clamp, Threaded Holes	1	1
1	C,E	1034703-NLA	NLA - Kit, Quad Link Assembly - Right	1	1
2			NLA - Ball Plunger Assembly with Lock Washer	2	1
3			Locknut (#10-32)	1	2
4			NLA - Screw, Cap, Socket Head (#10-32 x 1/2")	1	4
5			NLA - Bushing, Bronze (3/16 x 1/4 x 1/4")	1	4
10			Screw, Hex Head (1/4-20 x 1-1/2")	1	3
11			NLA - Spacer (1/4 x 3/8 x 3/16")	1	3
12			Half Clamp, Non-Threaded Holes	1	1
13			NLA - Half Clamp, Threaded Holes	1	1
14			Plate, Stud, Quad Link For 1556 Heavy Duty Joystick	1	1
15			Screw, Phillips Flat Head (#10-32 x 1-1/8")	1	2
1	C	1114866-NLA	NLA - Kit, Quad Link Assembly - Left	1	1
2			NLA - Ball Plunger Assembly with Lock Washer	2	1
3			Locknut (#10-32)	1	2
4			NLA - Screw, Cap, Socket Head (#10-32 x 1/2")	1	4
5			NLA - Bushing, Bronze (3/16 x 1/4 x 1/4")	1	4
10			Screw, Hex Head (1/4-20 x 1-1/2")	1	3
11			NLA - Spacer (1/4 x 3/8 x 3/16")	1	3
12			Half Clamp, Non-Threaded Holes	1	1
13			NLA - Half Clamp, Threaded Holes	1	1
14			Plate, Stud, Quad Link For 1556 Heavy Duty Joystick	1	1
15			Screw, Phillips Flat Head (#10-32 x 1-1/8")	1	2
1	D	1102027-NLA	NLA - Kit, Quad Link Assembly - Right For TCHJOY/TCPDM4 Touchpad	1	1
2			NLA - Ball Plunger Assembly with Lock Washer	2	1
3			Locknut (#10-32)	1	2
4			NLA - Screw, Cap, Socket Head (#10-32 x 1/2")	1	4
5			NLA - Bushing, Bronze (3/16 x 1/4 x 1/4")	1	4
6			Screw, Phillips Pan Head (#10-32 x 1-1/8")	1	2
8			NLA - Plate, Stud, Quad Link MKIV TCHJOY/TCPDM4	1	1
10			Screw, Hex Head (1/4-20 x 1-1/2")	1	3
11			NLA - Spacer (1/4 x 3/8 x 3/16")	1	3
12			Half Clamp, Non-Threaded Holes	1	1
13			NLA - Half Clamp, Threaded Holes	1	1
16			NLA - Screw, Phillips Flat Head Countersunk (#4-40 x 3/8")	1	4
2		1114863-NLA	NLA - Ball Plunger Assembly with Lock Washer	2	1

Quad Link (Before 10/31/05)

NOTE: A - Includes the Quad Link, items 2-8, 10-13 and used with an SPJ-80 and DPJ joystick
B - Includes the Quad Link, items 2-6, 9-13 and used with a MPJ joystick
C - Includes the Quad Link, items 2-5, 10-15 and used with a 1556 Heavy Duty joystick
D - Includes the Quad Link, items 2-6, 8, 10-12 and 16. Used with a Touch Pad joystick. Left side mounted Quad Link must be requested as a "special" order
E - Quad Link Assembly is no longer available. Please see Quad Link Assembly (After 10/30/05) category and use new Quad Link design as a replacement.

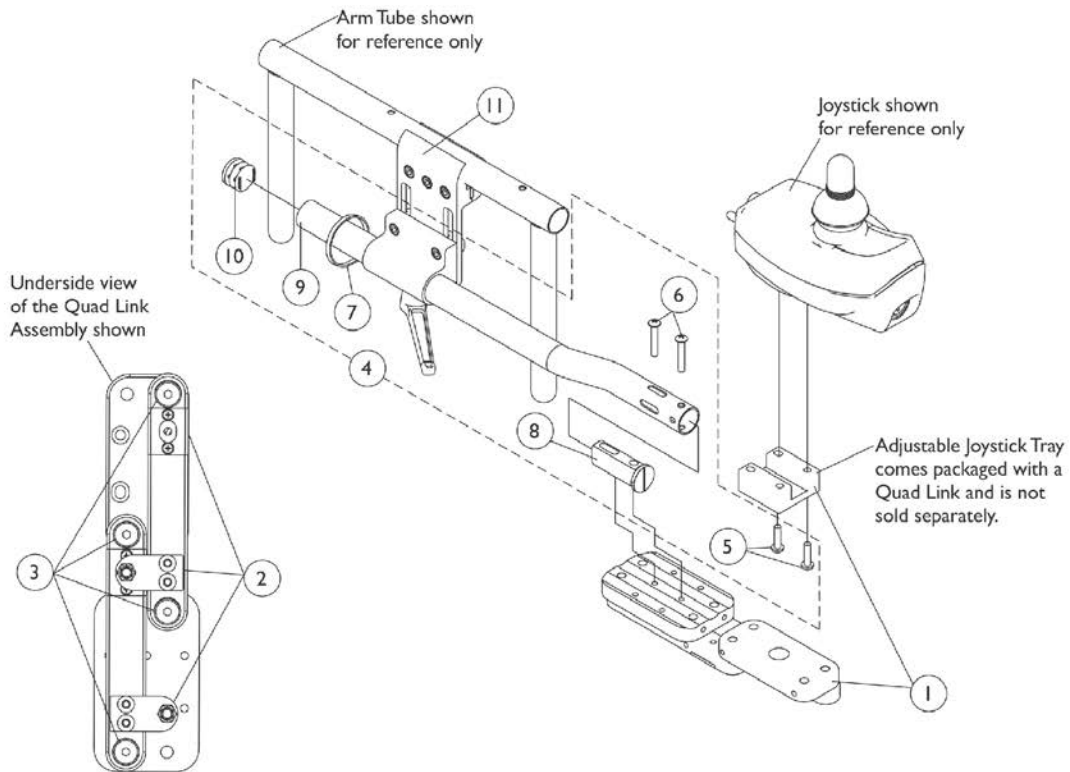
Quad Link (QLA)

(After 10/30/05)

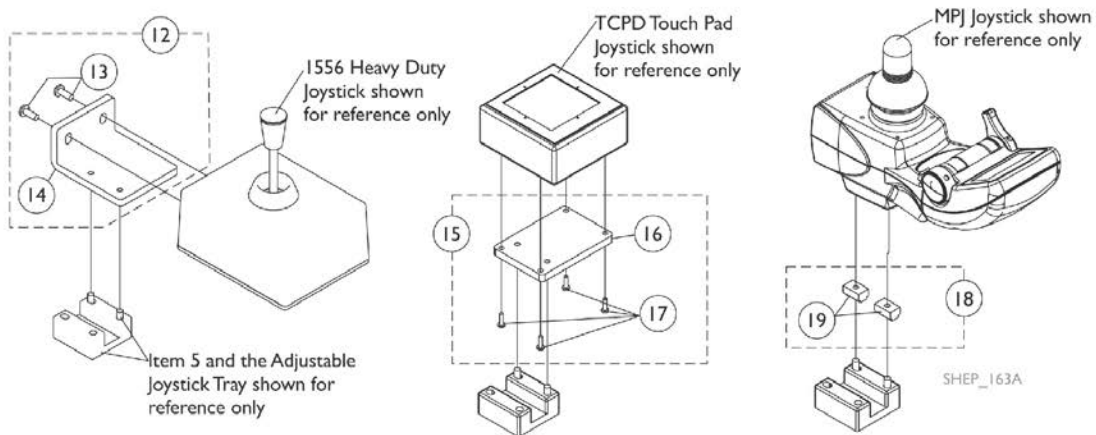
When converting an old style Quad Link that attaches to a mounting plate or (a Flex Tube or Touch Pad Joystick Tube) is currently on the chair then order the following:

Quad Link Mtg. Hdwr. (item 4), Quad Link (item 1) & Ht. Adj. Joystick Tube Clamp (item 11)

NOTE: Substitute (item 4) with 2 ea. of the PPH Screws (item 5) when an offset joystick tube is currently on the chair. Additional Joystick Mtg. Hdwr. must be ordered when a 1556 Heavy Duty, TCPD Touch Pad or MPJ joystick are used.



Screw Fastener and Quad Link Latch Hardware



Quad Link (QLA) (After 10/30/05)

When converting an old style Quad Link that attaches to a mounting plate or (a Flex Tube or Touch Pad Joystick Tube) is currently on the chair then order the following:

Quad Link Mtg. Hdwr. (item 4), Quad Link (item 1) & Ht. Adj. Joystick Tube Clamp (item 11)

NOTE: Substitute (item 4) with 2 ea. of the PPH Screws (item 5) when an offset joystick tube is currently on the chair. Additional Joystick Mtg. Hdwr. must be ordered when a 1556 Heavy Duty, TCPD Touch Pad or MPJ joystick are used.

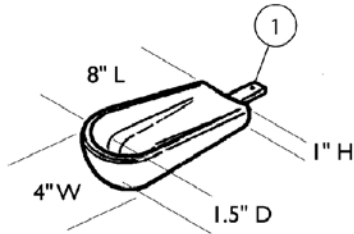
Item Number	Note	Part Number	Description	Quantity Per	
				Package	Assembly
1	G	1140896	Quad Link w/ Adjustable Joystick Tray (QLA) and Instruction Sheet - Right	1	1
1	G	1140897	Quad Link w/ Adjustable Joystick Tray (QLA) and Instruction Sheet - Left	1	1
2	A	1140425	Kit, Quad Link Latch Hardware	1	1
3	B	1140424-NLA	NLA - Kit, Quad Link Screw Fastener Hardware	1	1
4	C,C1	1139416	Kit, ASBA/ADJASBA Quad Link Mounting Hardware	1	1
5			Screw, Phillips Pan Head w/ Patch (#10-32 x 3/4")	1	2
6			Screw, Phillips Pan Head (#10-32 x 1-1/8")	1	2
7			Tie Wrap (11-1/2" L)	1	1
8			Spacer, Joystick Tube, Black	1	1
9			Tube, Joystick Offset (1/2")	1	1
10			Plug Button, Black (7/8")	1	1
5		1105414	Screw, Phillips Pan Head w/ Patch (#10-32 x 3/4")	1	2
11	I	1139422	Clamp, Height Adjustable Joystick Tube (ARM250)	1	1
12	D	1139925-NLA	NLA - Kit, 1556 Heavy Duty Joystick To Quad Link Mounting Hardware	1	1
13			Screw, Phillips Pan Head (#10-32 x 1/2")	1	2
14			NLA - Plate, 1556 HD Joystick Quad Link	1	1
15	E	1139683-NLA	NLA - Kit, TCPD Touch Pad To Quad Link Mounting Hardware	1	1
16			Plate, TCPD Touch Pad Quad Link	1	1
17			Screw, Phillips Pan Head (#4-40 x 3/8")	1	4
18	F	1139682-NLA	NLA - Kit, MPJ Joystick To Quad Link Mounting Hardware	1	1
19			NLA - T-Nut (#10-32)	1	2
	H	1134844	Instruction Sheet, Quad Link	1	1

NOTE: A - Latch Kit includes 4 ea. Button Head Cap Screws (10-32 x 3/8"), 2 ea. Latch Spring Assembly, 4 ea. Phillips Flat C'Sunk Head Screws, 2 ea. Spring Catch Plates, 2 ea. Socket Head Set Screws (10-32 x 3/8")
 B - Screw Fastener Kit includes 4 ea. Socket Head Shoulder Screws (3/8 x 3/8"), 2 ea. Socket Head Cap Screws (1/4-20 x 3/8"), 2 ea. Socket Head Set Screws (1/4-20 x 1/2"), 4 ea. Socket Head Set Screws (10-32 x 1/8")
 C - Includes items 5-10. The Quad Link Mounting Hardware accommodates MK5 SPJ-80, DPJ, MPJ, and PSF/PSR joysticks.
 C1 - When ordering the Quad Link for the first time, Additional hardware is required for 1556 Heavy Duty, TCPD Touch Pad joysticks and (MPJ joysticks if the T-nuts are missing). See pictorial for reference.
 D - Includes items 13 and 14
 E - Includes items 16 and 17
 F - Includes 2 ea. of item 19
 G - The 4-Way Switch Mounting Plate and TRSS Switch plate has changed and may be required when converting a Quad Link assembled to a mounting plate over to a Quad Link introduced after 10/30/05
 H - Not Shown
 I - Individual components are non-saleable

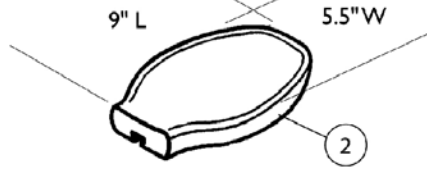
Arm Pads

Otto Bock

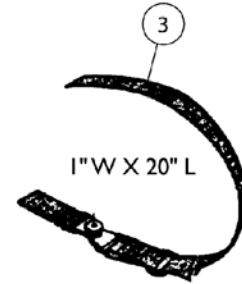
Channel Forearm Pads include all hardware and Instructions for attaching to a wheelchair or Elevating Swivel Unit. Hardware to attach a Hand Pad to the Channel Forearm Pad comes with the Channel Forearm Pad only. The Channel Forearm Pad hardware is not sold separately.



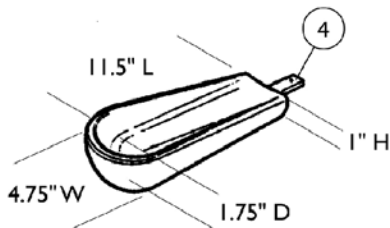
Small Channel Forearm Pad
0020700 ea.



Flat Hand Pad (Large)
0023000 ea.



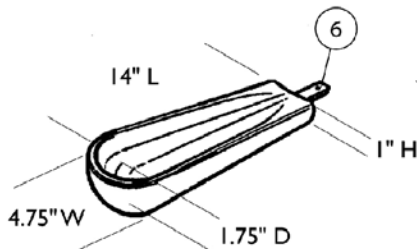
Hand/Forearm Pad Strap Kit
0021700 ea.



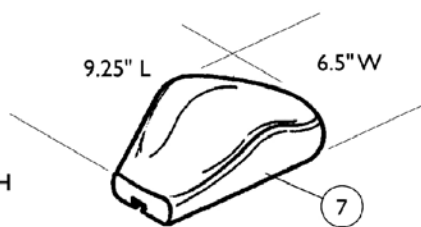
Medium Channel Forearm Pad
0020600 ea.



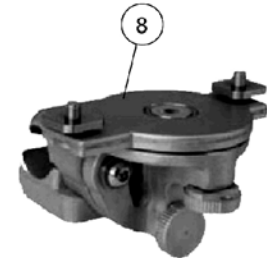
Flat Hand Pad (Medium)
0023300 ea.



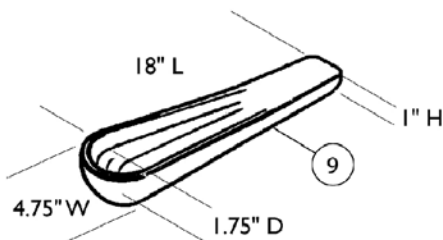
Large Channel Forearm Pad
0020500 ea.



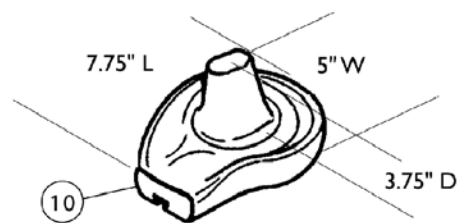
Palm Extensor Hand Pad
Right 0021600
Left 0021500



Elevating Swivel Unit 7/8"
Right or Left 1166835



One Piece Channel Forearm Pad
0020400 ea.



Cone Hand Pad
Right 0164900
Left 0164800

Arm Pads

Otto Bock

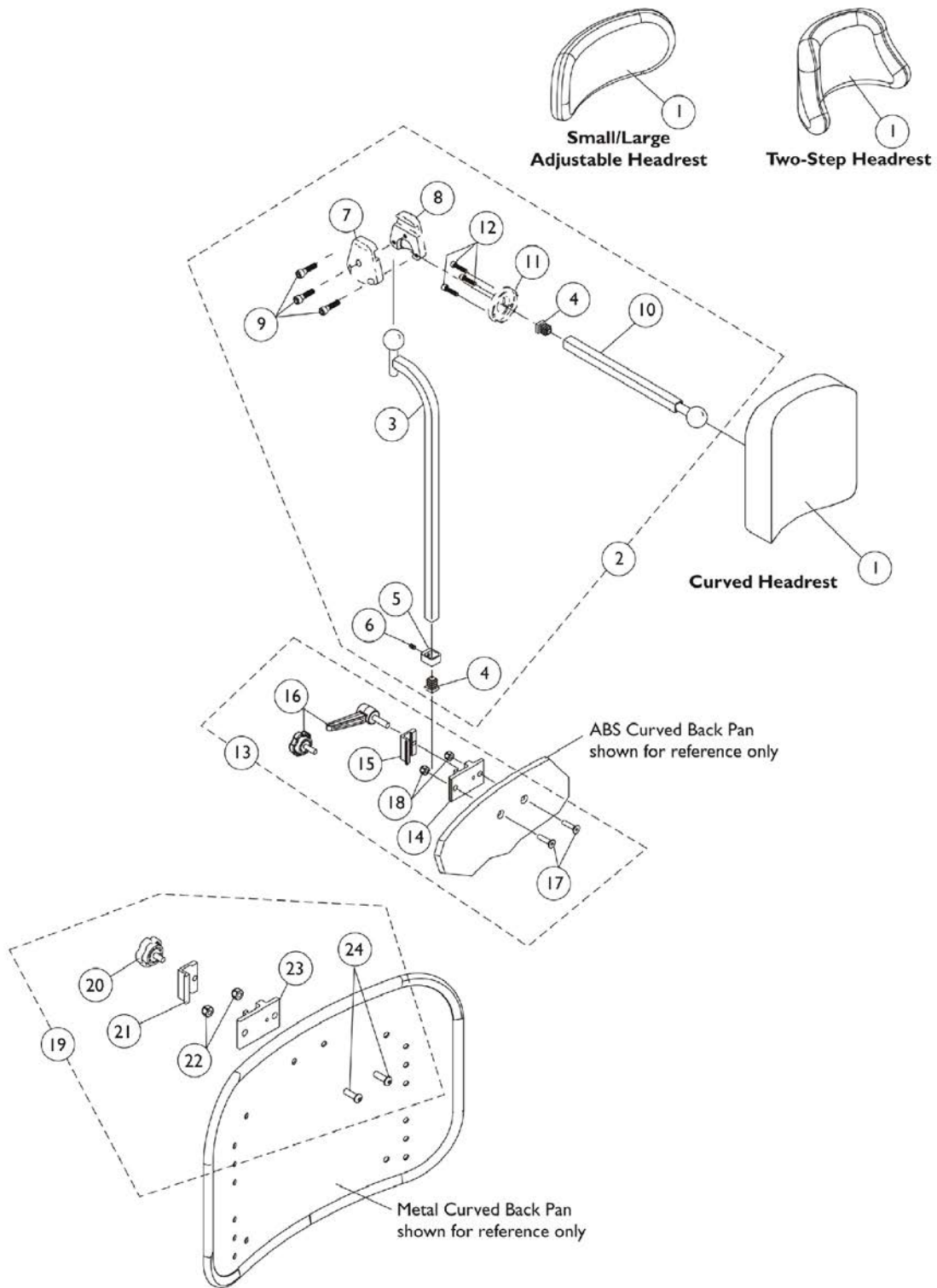
Channel Forearm Pads include all hardware and Instructions for attaching to a wheelchair or Elevating Swivel Unit. Hardware to attach a Hand Pad to the Channel Forearm Pad comes with the Channel Forearm Pad only. The Channel Forearm Pad hardware is not sold separately.

Item Number	Note	Part Number	Description	Quantity Per	
				Package	Assembly
1		0020700-NLA	NLA - Pad, Small Channel Forearm	1	1
2		0023000-NLA	NLA - Pad, Flat Hand - Large	1	1
3		0021700-NLA	NLA - Kit, Hand/ Forearm Pad Strap	1	1
4		0020600-NLA	NLA - Pad, Medium Channel Forearm	1	1
5		0023300-NLA	NLA - Pad, Flat Hand - Medium	1	1
6		0020500-NLA	NLA - Pad, Large Channel Forearm	1	1
7		0021600-NLA	NLA - Pad, Palm Extensor Hand - Right	1	1
7		0021500-NLA	NLA - Pad, Palm Extensor Hand - Left	1	1
8	A	1166835-NLA	NLA - Unit, Elevating Swivel - Right/Left (7/8")	1	1
9		0020400-NLA	NLA - Pad, One Piece Channel Forearm	1	1
10		0164900-NLA	NLA - Pad, Cone Hand - Right	1	1
10		0164800-NLA	NLA - Pad, Cone Hand - Left	1	1

NOTE: A - 0021400 Unit, Elevating Swivel - Right (7/8") and 0021300 Unit, Elevating Swivel - Left (7/8") are replaced with part number 1166835. The new Unit can be used on the right or left side of the wheelchair.

Headrest Support Assembly

ABS and Metal Curved Backs



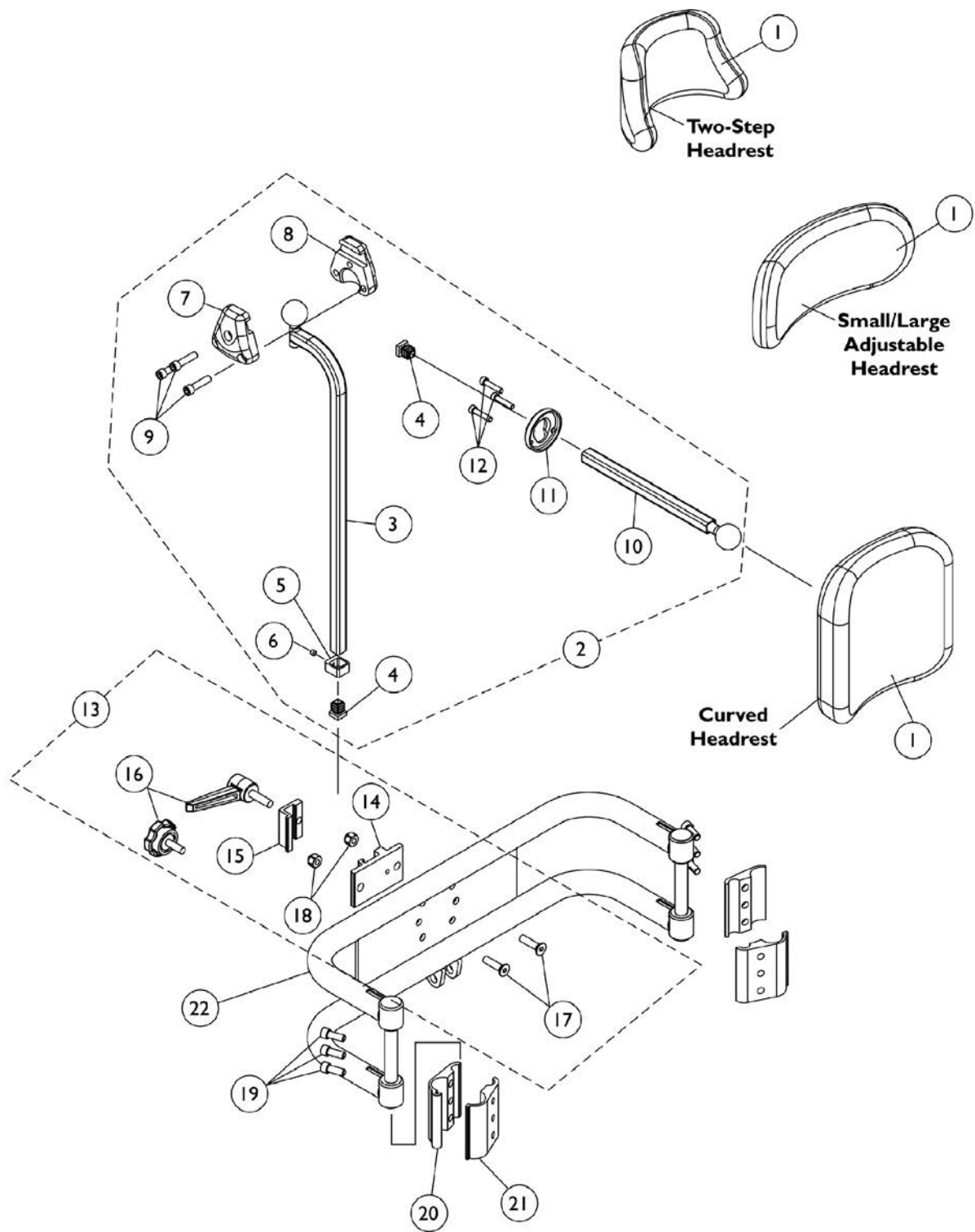
Headrest Support Assembly ABS and Metal Curved Backs

Item Number	Note	Part Number	Description	Quantity Per	
				Package	Assembly
1		0127700	Headrest, Curved (6" W x 7" H)	1	1
1		0128000-NLA	NLA - Headrest, Two-Step (8-1/2" W x 5-1/2" H)	1	1
1		0022600	Kit, Headrest w/ Screws, Adjustable, Small, Otto Bock (9" W x 3-1/2" H)	1	1
1		0022400	Kit, Headrest w/ Screws, Adjustable, Large, Otto Bock (12" W x 6" H)	1	1
2	A	0197024	Fixture Assembly, Offset Support	1	1
3		0271524-NLA	NLA - Tube, Offset Fixture, Black	1	1
4		1077076-NLA	NLA - Plug Button, Square (1/2")	1	2
5		0271124-NLA	NLA - Collar, Offset Fixture Tube	1	1
6		0288606-NLA	NLA - Screw, Set Socket Cup Point (#10-24 x 3/16")	1	1
7		0271224	Half Clamp, Non-Threaded Holes	1	1
8		0271324	Half Clamp, Threaded Holes	1	1
9		1027268	Screw, Allen Head (1/4-20 x 1")	1	3
10		0271424-NLA	NLA - Tube, Fixture Adjustment	1	1
11		0283724-NLA	NLA - Ring, Fixture Clamp	1	1
12		0067006-NLA	NLA - Screw, Cap, Socket Head (#10-32 x 1/2")	1	3
13	B,E	0273100	Kit, Headrest Clamp, Lever Style	1	1
14	C	0237422-NLA	NLA - Clamp, Small Bottom Half	1	1
15	C	0237522-NLA	NLA - Clamp, Small Top Half	1	1
16		1072439-NLA	NLA - Knob, Adjustment, Black (3/4" L Threads)	1	1
17		0288706-NLA	NLA - Screw, Socket, Flat Head (1/4-20 x 1")	1	2
18		1025736	Locknut (1/4-20)	1	2
19	D	1160332	Kit, Headrest Clamp, Knob Style	1	1
20		1072439-NLA	NLA - Knob, Adjustment, Black (3/4" L Threads)	1	1
21	C	0237522-NLA	NLA - Clamp, Small Top Half	1	1
22		1025736	Locknut (1/4-20)	1	2
23	C	0237422-NLA	NLA - Clamp, Small Bottom Half	1	1
24		1009838	Screw, Socket Button (1/4-20 x 3/4")	1	2

NOTE: A - Includes items 3-12
 B - Includes items 14-18. Item 16 Adjustment Knob was replaced with an Adjustment Lever. The Lever is not available as a separate part. The knob Part # 1072439 is still sold separately and is interchangeable with the Lever.
 C - Clamp is no longer available individually. See Headrest Clamp Mounting Hardware Kit item 13 or 19 depending on Back Style.
 D - Includes items 20-24 and used for Metal Curved Back models. Hardware can also be used with an Invacare PCS Back.
 E - Hardware can also be used with an Invacare Personal back.

Headrest Support Assembly w/ Double Spreader Bar

Back Cane Only Option

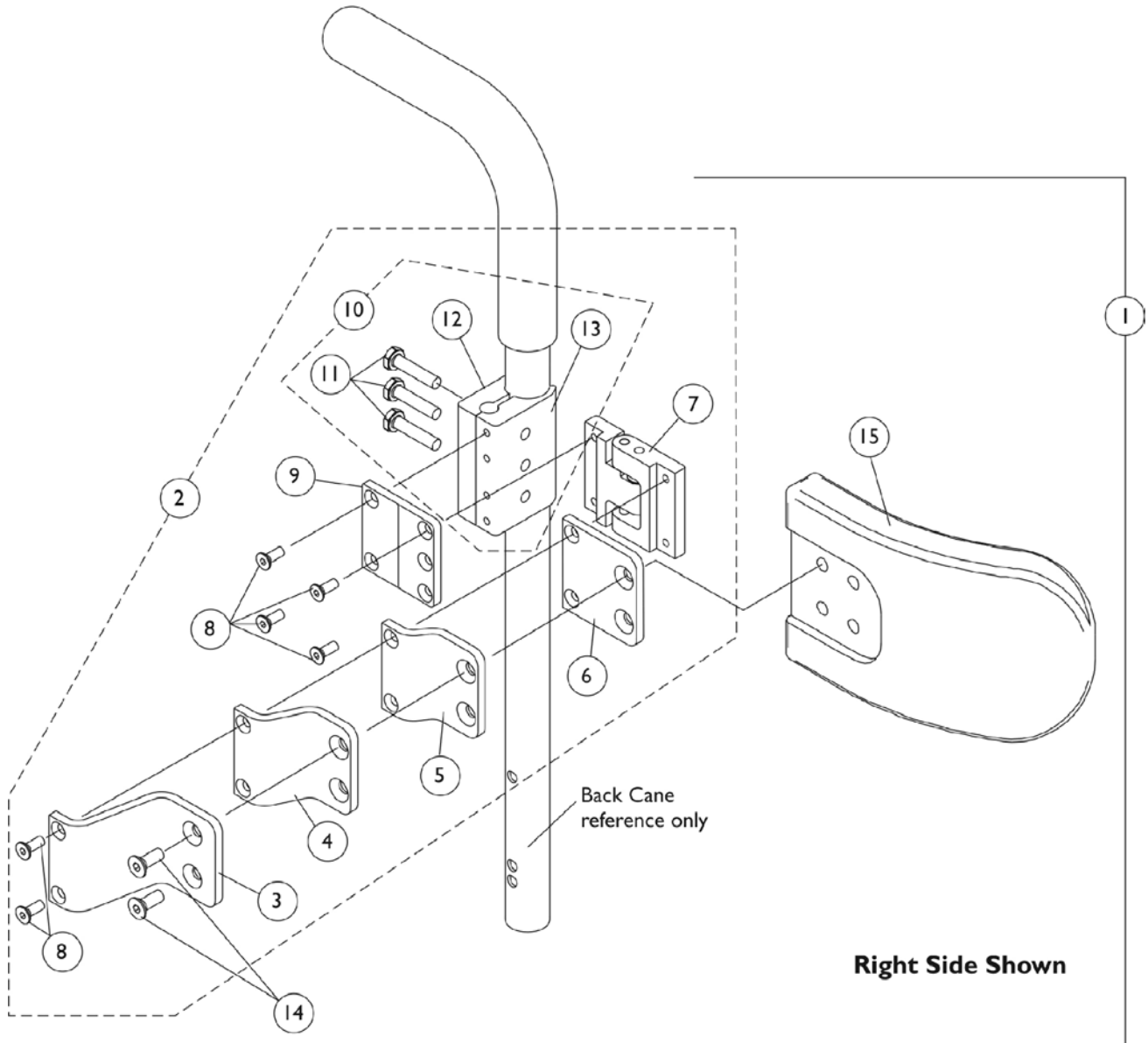


Headrest Support Assembly w/ Double Spreader Bar Back Cane Only Option

Item Number	Note	Part Number	Description	Quantity Per	
				Package	Assembly
1		0127700	Headrest, Curved (6" W x 7" H)	1	1
1		0128000-NLA	NLA - Headrest, Two-Step (8-1/2" W x 5-1/2" H)	1	1
1		0022600	Kit, Headrest w/ Screws, Adjustable, Small, Otto Bock (9" W x 3-1/2" H)	1	1
1		0022400	Kit, Headrest w/ Screws, Adjustable, Large, Otto Bock (12" W x 6" H)	1	1
2		0197024	Fixture Assembly, Offset Support	1	1
3		0271524-NLA	NLA - Tube, Offset Fixture, Black	1	1
4		1077076-NLA	NLA - Plug Button, Square (1/2")	1	2
5		0271124-NLA	NLA - Collar, Offset Fixture Tube	1	1
6		0288606-NLA	NLA - Screw, Set Socket Cup Point (#10-24 x 3/16")	1	1
7		0271224	Half Clamp, Non-Threaded Holes	1	1
8		0271324	Half Clamp, Threaded Holes	1	1
9		1027268	Screw, Allen Head (1/4-20 x 1")	1	3
10		0271424-NLA	NLA - Tube, Fixture Adjustment	1	1
11		0283724-NLA	NLA - Ring, Fixture Clamp	1	1
12		0067006-NLA	NLA - Screw, Cap, Socket Head (#10-32 x 1/2")	1	3
13	B,C	0273100	Kit, Headrest Clamp, Lever Style	1	1
14	A	0237422-NLA	NLA - Clamp, Small Bottom Half	1	1
15	A	0237522-NLA	NLA - Clamp, Small Top Half	1	1
16		1072439-NLA	NLA - Knob, Adjustment, Black (3/4" L Threads)	1	1
17		0052906-NLA	NLA - Screw, Socket Button Head (1/4-20 x 3/4")	1	2
18		7930333	Locknut (1/4-20)	25	2
19		0068706-NLA	NLA - Screw, Cap, Socket Head (1/4-20 x 5/8")	1	6
20		0190722	Half Clamp, Un-Threaded Holes (7/8" Dia. Back Canes)	1	2
21		0190822	Half Clamp, Threaded Holes (7/8" Dia. Back Canes)	1	2
22		0013602	Bar, Push, Black (16" W)	1	1
22		0013702	Bar, Push, Black (17" W)	1	1
22		0013802	Bar, Push, Black (18" W)	1	1
22		0013902	Bar, Push, Black (19" W)	1	1
22		0014002	Bar, Push, Black (20" W)	1	1
22		0014102	Bar, Push, Black (21" W)	1	1
22		0014202	Bar, Push, Black (22" W)	1	1

NOTE: A - Clamp is no longer available individually. See item 13 Clamp Assembly part number 0273100
 B - Includes items 14-18. Item 16 Adjustment Knob was replaced with an Adjustment Lever. The Lever is not available as a separate part. The knob Part # 1072439 is still sold separately and is interchangeable with the Lever.
 C - Hardware can also be used with an Invacare Personal Back.

Lateral Support Assembly Tarsys



Lateral Support Assembly Tarsys

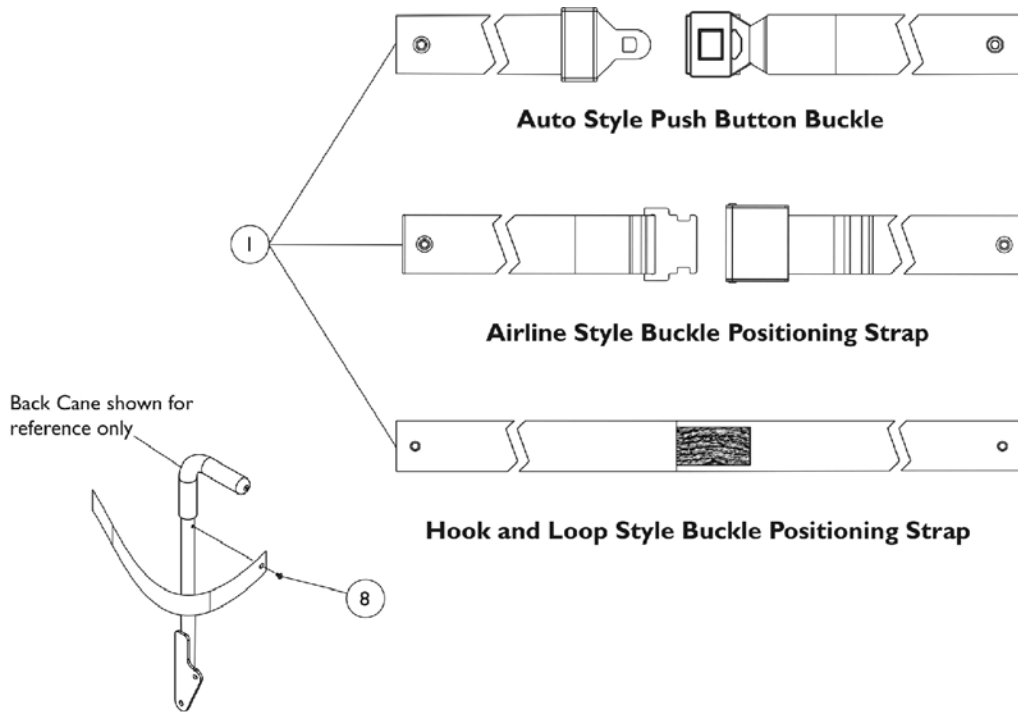
Item Number	Note	Part Number	Description	Quantity Per	
				Package	Assembly
1	A	1107299	Kit, Swingaway Lateral Support Assemblies w/ Large Pads (Pair)	1	1
3			Bracket, Extension Offset, Black (2")	1	2
4			NLA - Bracket, Extension Offset, Black (1")	1	2
5			NLA - Bracket, Extension Offset, Black (1/2")	1	2
6			Bracket, Flush Mount, Black	1	2
7			NLA - Bracket, Swingaway, Cane Clamp, Black - Right	1	1
7			NLA - Bracket, Swingaway, Cane Clamp, Black - Left	1	1
8			NLA - Screw, Socket Flat Head (#10-32 x 1/2")	1	12
9			NLA - Bracket, Mounting, Black	1	2
11			NLA - Screw, Hex Head (1/4-20 x 1-1/8")	1	6
12			Half Clamp, Non-Threaded Holes	1	2
13			NLA - Half Clamp, Threaded Holes	1	2
14			Screw, Socket Flat Head (1/4-20 x 1/2")	1	4
15			Pad, Lateral Support - Large (6" W x 5" H)	1	2
1	A	1107298	Kit, Swingaway Lateral Support Assemblies w/ Medium Pads (Pair)	1	1
3			Bracket, Extension Offset, Black (2")	1	2
4			NLA - Bracket, Extension Offset, Black (1")	1	2
5			NLA - Bracket, Extension Offset, Black (1/2")	1	2
6			Bracket, Flush Mount, Black	1	2
7			NLA - Bracket, Swingaway, Cane Clamp, Black - Right	1	1
7			NLA - Bracket, Swingaway, Cane Clamp, Black - Left	1	1
8			NLA - Screw, Socket Flat Head (#10-32 x 1/2")	1	12
9			NLA - Bracket, Mounting, Black	1	2
11			NLA - Screw, Hex Head (1/4-20 x 1-1/8")	1	6
12			Half Clamp, Non-Threaded Holes	1	2
13			NLA - Half Clamp, Threaded Holes	1	2
14			Screw, Socket Flat Head (1/4-20 x 1/2")	1	4
15			Pad, Lateral Support - Medium (6" W x 4" H)	1	2
2	B	1107245	Kit, Swingaway Bracket Assembly with Offset Brackets, Cane Clamp - Right	1	1
3			Bracket, Extension Offset, Black (2")	1	1
4			NLA - Bracket, Extension Offset, Black (1")	1	1
5			NLA - Bracket, Extension Offset, Black (1/2")	1	1
6			Bracket, Flush Mount, Black	1	1
7			NLA - Bracket, Swingaway, Cane Clamp, Black - Right	1	1
8			NLA - Screw, Socket Flat Head (#10-32 x 1/2")	1	6
9			NLA - Bracket, Mounting, Black	1	1
11			NLA - Screw, Hex Head (1/4-20 x 1-1/8")	1	3

Lateral Support Assembly Tarsys

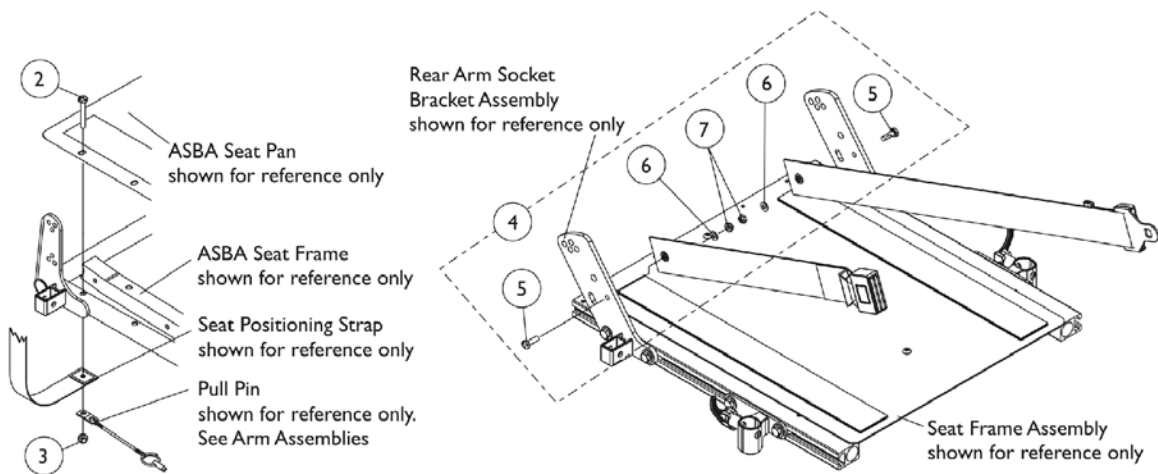
Item Number	Note	Part Number	Description	Quantity Per	
				Package	Assembly
12			Half Clamp, Non-Threaded Holes	1	1
13			NLA - Half Clamp, Threaded Holes	1	1
2	B	1107246	Kit, Swingaway Bracket Assembly with Offset Brackets, Cane Clamp - Left	1	1
3			Bracket, Extension Offset, Black (2")	1	1
4			NLA - Bracket, Extension Offset, Black (1")	1	1
5			NLA - Bracket, Extension Offset, Black (1/2")	1	1
6			Bracket, Flush Mount, Black	1	1
7			NLA - Bracket, Swingaway, Cane Clamp, Black - Left	1	1
8			NLA - Screw, Socket Flat Head (#10-32 x 1/2")	1	6
9			NLA - Bracket, Mounting, Black	1	1
11			NLA - Screw, Hex Head (1/4-20 x 1-1/8")	1	3
12			Half Clamp, Non-Threaded Holes	1	1
13			NLA - Half Clamp, Threaded Holes	1	1
10	C	1107117	Kit, Lateral Support Mounting Hardware	1	1
11			NLA - Screw, Hex Head (1/4-20 x 1-1/8")	1	3
12			Half Clamp, Non-Threaded Holes	1	1
13			NLA - Half Clamp, Threaded Holes	1	1
NOTE: A - Includes items 3-9 and 11-15 B - Includes items 3-9 and 11-13 C - Includes items 11-13					

Seat/Chest Positioning Straps

NOTE: Chest Positioning Straps share the same hardware that attaches an ABS Curved Back Assembly



Chest Positioning Strap Mounting Hardware (For ABS & Metal Curved Backs)



Seat Positioning Strap Mounting Hardware (For ASBA Seating)

Seat Positioning Strap Mounting Hardware (For ADJASBA Seating)

Seat/Chest Positioning Straps

NOTE: Chest Positioning Straps share the same hardware that attaches an ABS Curved Back Assembly

Item Number	Note	Part Number	Description	Quantity Per	
				Package	Assembly
1		See Chart	#1 Positioning Straps	1	1
2		1037610	Screw, Hex Head (1/4-20 x 1-5/8")	1	2
3		1025736	Locknut (1/4-20)	1	2
4		1124385	Kit, Seat Positioning Strap Mounting Hardware (both LT & RT sides)	1	1
5			Screw, Hex Head w/ Patch (1/4-20 x 3/4")	1	2
6			Washer (1/4 x 1/2 x 1/16")	1	2
7			Locknut (1/4-20)	1	2
8		1026298	Package, Screw with Washer (#10 x 7/8") (Pair)	2	1

Seat/Chest Positioning Straps

NOTE: Chest Positioning Straps share the same hardware that attaches an ABS Curved Back Assembly

#1 Positioning Straps

Description	16"-19" Wide	20"-22" Wide
Auto Style Push Button	1004310 Strap, Positioning, Seat/Chest w/ Auto Style Push Button Buckle (Eyelet to Eyelet Length 48")	1034625 Strap, Positioning, Seat/Chest w/ Auto Style Push Button Buckle (Eyelet to Eyelet Length 61")
Airline Style	TAGTS1034751-NLA NLA - Strap, Positioning, Seat/Chest w/ Airline Style Buckle (Eyelet to Eyelet Length 46")	1034752 Strap, Positioning, Seat/Chest w/ Airline Style Buckle (Eyelet to Eyelet Length 61")
Hook and Loop See Note(s) A	1034745 Strap, Positioning, Seat/Chest w/ Hook and Loop Style Buckle (Eyelet to Eyelet Length 61")	1034745 Strap, Positioning, Seat/Chest w/ Hook and Loop Style Buckle (Eyelet to Eyelet Length 61")
NOTE: A - Hook and Loop style positioning strap for power chairs is used for chest positioning only		

Power Wheelchair Tool Kit

1



Multimeter with Leads



Grounding Wire



1" Test Leads



Protractor/Angle Locator



Invacare Pen Light



Invacare Tape Measure



Invacare Phillips/Flat Head Screwdriver



MKIV Programmer



Virtual Service Charger Cable

Power Wheelchair Tool Kit

Item Number	Note	Part Number	Description	Quantity Per	
				Package	Assembly
1		1125222-NLA	NLA - Kit, Power Wheelchair Tool Includes: 1 ea. Multimeter with Leads 1 ea. Locator, Protractor/Angle Magnetic Base 1 ea. Instructions, MKIV Programmer 1 ea. Wire, Grounding with Hand Strap and Clip 1 ea. Leads, 1" Test 1 ea. Light, Pen with Invacare Logo 1 ea. Tape Measure, Compact with Invacare Logo 1 ea. Screwdriver, Pen-Size Phillips/Flat Head 1 ea. Cable, Virtual Service Charger/Modem	1	1

Invacare Corporation

www.invacare.com



Yes, you can.

One Invacare Way
Elyria, Oh USA
44036-2125
800-333-6900

Technical Support
800-832-4707
Florida Technical Support
407-321-5630

Customer Service
800-333-6900

©2022 Invacare Corporation. Elyria, Ohio.
All rights reserved. Republication,
duplication or modification in whole or in part
is prohibited without prior written permission
from Invacare. Trademarks are identified by
the symbols ™ and ®. All trademarks are
owned by or licensed to Invacare
Corporation unless otherwise noted.
(Revised 08/01/22)

Form No. 04-042