

**Pronto® M71™ jr.
with SureStep™**

**CWD
Power Wheelchair**



Yes, you can.

Parts Catalog Usage Guide

The information contained in this document is subject to change without notice. This catalog contains service parts for Form No. 03-033. If you have any questions regarding this catalog, please contact one of our Customer Service Representatives.

For Customer Service Support Call:

1-800-333-6900

For Faxed In Orders Call:

1-800-678-4682 or

1-440-366-0709

For Technical Service Call:

1-800-832-4707

Literature Can Be Found at:

www.invacare.com or

1-800-828-6272

SYMBOL DEFINITION

Throughout this catalog you will notice letters to draw your attention to specific footnotes which are located at the bottom of the page or below specified charts.

Examples:

A,B,C etc. = Special Comments

NOTE: = General information pertaining to that specific page

NLA = No Longer Available

HARDWARE MEASUREMENTS

The measurements for the hardware will be listed as follows:

Screws, Bolts Diameter X Thread Count/Pitch X Length

Washers Inside Diameter X Outside Diameter X Thickness

Spacers Inside Diameter X Outside Diameter X Length

For your convenience, we have supplied an area for you to list your Invacare Representatives.

Name	Phone Numbers

© 2022 Invacare Corporation. Elyria, Ohio. Invacare, Yes, you can., the Medallion Design, and Pronto are registered trademarks and MK6i, MK5, NX, EX, SPJ, DPJ, MPJ, SureStep, and M71 are trademarks of Invacare Corporation.

TABLE of CONTENTS

Description	Page Number
A: READ THIS FIRST (THIS CATALOG IS DIFFERENT!)	5
Accessories - Miscellaneous	136
Accessories - Power Wheelchair Tool Kit	138
Arms, Adjustable Height	46
Battery Tray and Battery Harness Assemblies	54
Canes - Back - Spreader Bar and Push Handle - ADJASBA - After 10/26/04	31
Canes - Back and Spreader Bar - ASBA - Before 10/27/04	30
Canes - Back and Spreader Bar Mounting Hardware - ASBA - Before 10/27/04 (12-13" Seat Depths)	34
Canes - Back and Spreader Bar Mounting Hardware - ASBA - Before 10/27/04 (14-15" Seat Depths)	36
Canes - Back and Spreader Bar Mounting Hardware - ASBA - Before 10/27/04 (16" Seat Depth)	38
Canes - Back Cane Mounting Hardware - ADJASBA - After 10/26/04 (All Depths)	40
Casters, Forks, and Hardware	50
Electronics - Joystick Options	130
Electronics - MK5 Controller Cables	113
Electronics - MK5 Display	125
Electronics - MK5 DPJ Joystick and Mounting Hardware	107
Electronics - MK5 EX Controller, Programmer and Battery Charger	111
Electronics - MK5 MPJ Joystick and Mounting Hardware	109
Electronics - MK6i -PLEASE READ THIS PAGE-	106
Electronics - Proportional Attendant Control Joystick PACM5	128
Electronics - Quad Link (QLA) After 10/30/05	118

TABLE of CONTENTS

Description	Page Number
Electronics - Quad Link Assembly Before 10/31/05	115
Electronics - R.I.M. Head Control Assembly (1500)	120
Electronics - R.I.M. Head Control Mounting Hardware (1500)	123
Electronics - Sip-N-Puff/Digital Interface 1554M4/1554M5 and AUX12 and AUX34	126
Electronics - Tash and Therafin Accessories	132
Frame Finish - Shroud Colors and Upholstery Color	6
Frames - Hardware - Seat - ADJASBA - After 10/26/04	19
Frames - Hardware - Seat - ASBA - Before 10/27/04	17
Frames - Seat - Seat Pan and Hardware - ADJASBA w/ TRBKTS - Introduced 12/19/05	28
Frames - Seat - Seat Pan and Hardware - ADJASBA w/ TRRO - Introduced 10/27/04	26
Frames - Seat - Seat Pan and Hardware - ASBA - Before 10/27/04	23
Frames - Side and Hardware - Non Tilt Chairs	11
Frames - Side and Tilt Hardware - Tilt Chairs	13
Front Riggings - Adjustable Heel Loops	77
Front Riggings - Center Mount Rigging (CTMT/CTMT-L) - Before 12/10/08	83
Front Riggings - Center Mount Rigging (CTMTJ) - Before 12/10/08	81
Front Riggings - Center Mount Rigging (CTMT-J/CTMT-FJ/CTMT/CTMT-F/CTMT-L/CTMT-FL) (After 12/09/08)	86
Front Riggings - Center Mount Rigging Kit (CTMTJ and CTMT) - After 10/26/04	102
Front Riggings - Center Mount Rigging Kit (CTMTJ and CTMT) - Before 10/27/04	98
Front Riggings - Center Mount Rigging Mtg. Hdw. (CTMTJ & CTMT) - After 10/26/04	96
Front Riggings - Center Mount Rigging Mtg. Hdw. (CTMTJ & CTMT) - Before 10/27/04	94

TABLE of CONTENTS

Description	Page Number
Front Riggings - Footboard Assembly - 90FB	56
Front Riggings - Footrest and Legrest Accessories	74
Front Riggings - Footrest Supports, (Hemi) - PH93M2	64
Front Riggings - Footrest Supports, (Hemi) - PHW93	62
Front Riggings - Front Rigging Hangers and Hardware	60
Front Riggings - Legrest Supports, Articulating (Hemi) - PHAL4A	66
Front Riggings - Misc. Accessories	79
Front Riggings - Pivot/Slide Tube and Adjustable Angle Footplates - AT5543	71
Front Riggings - Pivot/Slide Tube and Footplate - 1650 Standard Aluminum	69
Front Riggings - Reference Chart	58
Headrest and Attaching Hardware	44
Label Locations For TRRO and TRBKTS Options	9
Motor, Gearbox, and Drive Wheel	51
Packaging - Literature and Decals	7
Seat - Release Hardware	21
Shrouds and Mounting Hardware	48
TRRO and TRBKTS Option Clarification Reference	10
Upholstery - Back - Black Nylon	42
Walking Beams - SureStep and Hardware	15
Warranty Replacement Parts	140
Wheel Lock Assembly	134

A: READ THIS FIRST (THIS CATALOG IS DIFFERENT!)

Pronto® M7Ijr.™ with SureStep™
parts catalog information is now divided into two separate catalogs.

The Form Numbers and Cover Titles are listed below.

Form # 03-033

Pronto M7Ijr. with SureStep
Powered Wheelchair

Form # 06-110

MK6i Electronics

(MK6i was introduced on or about 10/16/06)

Use both form numbers to order a “complete” Parts Catalog

Frame Finish, Shroud Colors, and Upholstery Color

Frame Finish

Color Number	Part Number	Bottle Size	Color
34P	1046327-NLA	.6 oz.	Flat Black

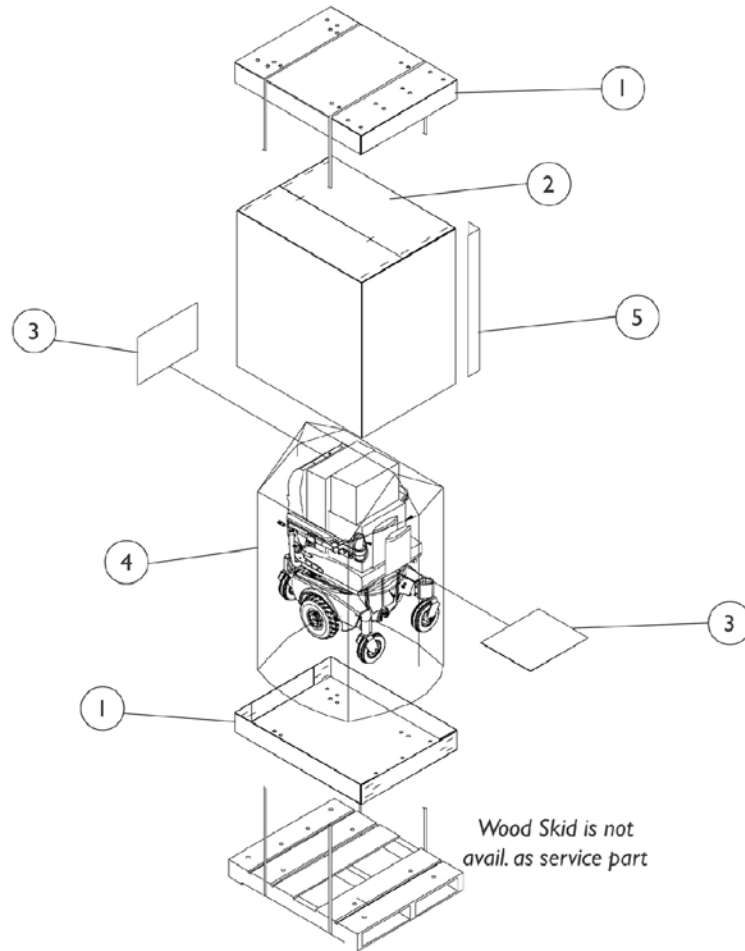
Shroud Colors

Color Code	Shroud Color Description
BL	Deep Blue Pearl
MB	Magic Black
RD	Candy Red Pearl

Upholstery Color

Color Number	Color Description
U240	Black Nylon

Packaging, Literature and Decals



Packaging, Literature and Decals

Item Number	Note	Part Number	Description	Quantity Per	
				Package	Assembly
1		1030362	Carton, Tray	1	2
2		1030364	Carton, Cover	1	1
3		40131X161	Insert, Plain Pad	1	2
4		1015592	Bag, Poly (72" L x 35" W x 19" D)	1	1
5		1115174	Carton, Corner Reinforcement	1	4
	A	1122147-NLA	NLA - Owner's Manual, Pronto M71 Jr.	1	1
	A,C	1114808-NLA	NLA - Instruction Manual, MK5 EX/ TT-EX Electronics	1	1
	A	1121907-NLA	NLA - Decal, Shroud - Pronto M71 Jr.	1	2
	B	1164348	Mailer, Return, Mercury Free	1	1

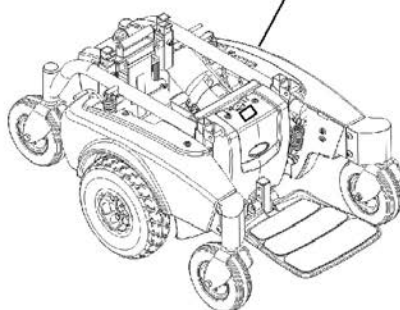
NOTE: A - Not Shown
 B - For Massachusetts providers only
 C - Item is no longer available from the Invacare Service Parts Department. Refer to the Invacare Website under "Product Literature Search". Enter the part number in the "Keywords" field and download a free PDF version copy.

NOTE: When adjusting or replacing parts, please refer to your owner's manual for assistance.

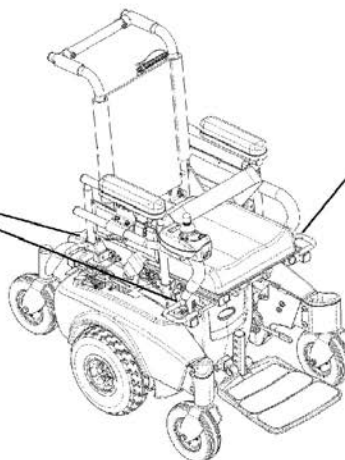
Label Locations For TRRO and TRBKTS Options



WC/19 Warning Label is a non-serviceable part.
Call Technical Services for assistance at
(1-800-832-4707).



Hook Symbol Labels are
non-serviceable parts.
Call Technical Services for
assistance at (1-800-832-4707).



TRRO and TRBKTS Option Clarification Reference

About Transport Ready Packages

TRRO includes four factory-installed transport brackets and a wheelchair anchored pelvic belt. **TRRO** has been crash-tested in accordance with ANSI/RESNA WC Vol. 1 Section 19 Frontal Impact Test requirements for wheelchairs with a 168 lb. Crash dummy, which corresponds to a person with weight of 114 to 209 lbs.

TRBKTS includes four factory-installed wheelchair transport brackets. **TRBKTS** has not been crash-tested in accordance with WC 19. Use these transport brackets only to secure an unoccupied wheelchair during transport.

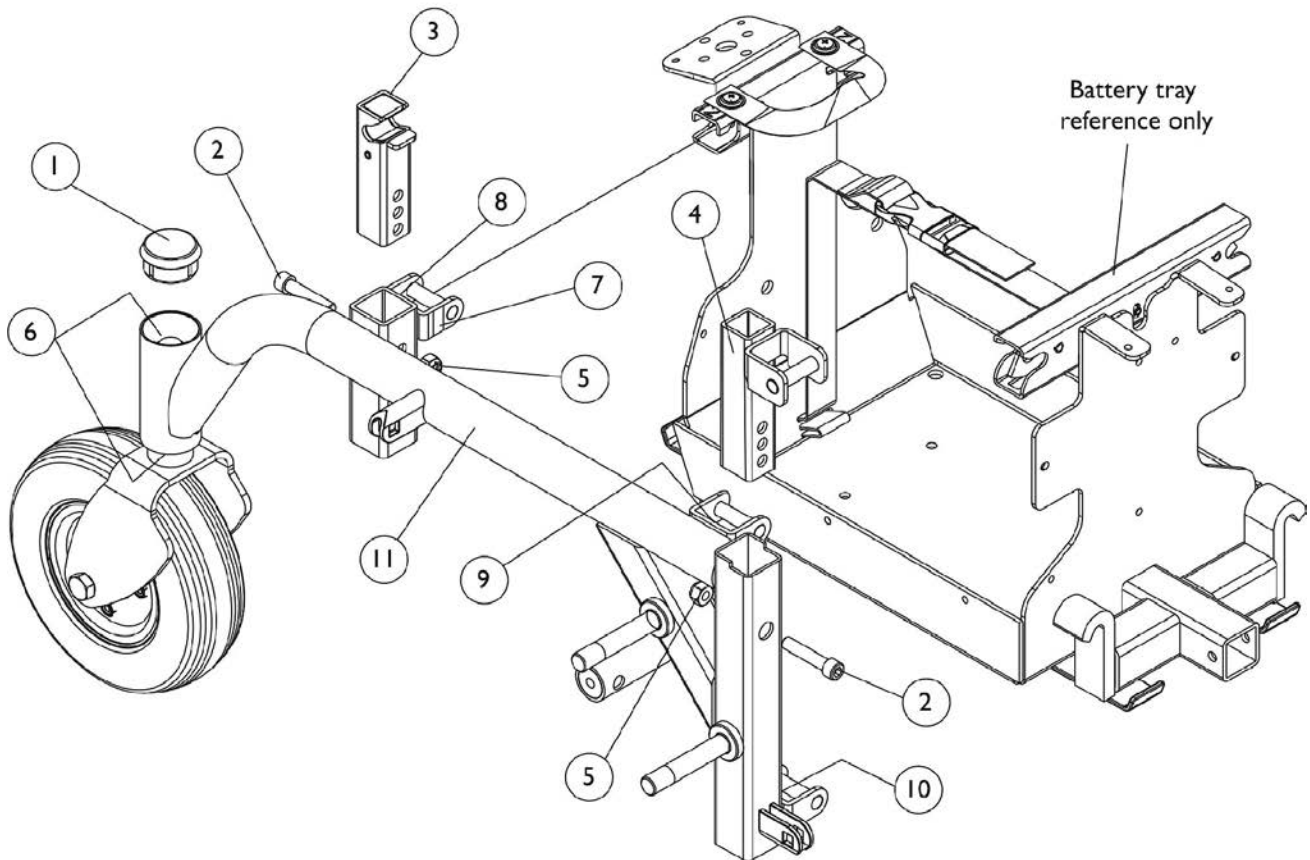
Only use the transport brackets included with **TRRO** and **TRBKTS** for the purpose described in the appropriate Owner's Operator and Maintenance Manual.

Battery support brackets **MUST** be installed at all times. Otherwise, the wheelchair will not be WC/19 compliant. Refer to Removing/Installing the Batteries From/Into the Wheelchair in the appropriate Owner's Operator and Maintenance Manual.

As of this date, the Department of Transportation has not approved any tie-down systems for transportation of a user while in a wheelchair, in a moving vehicle of any type. It is Invacare's position that users of wheelchairs should be transferred into appropriate seating in vehicles for transportation and use be made of the restraints made available by the auto industry. Invacare cannot and does not recommend any wheelchair transportation systems.

NOTE: ANSI = American National Standards Institute, RESNA = Rehabilitation Engineering and Assistive Technology Society of North America.

Side Frame and Hardware Non Tilt Chairs



Side Frame and Hardware Non Tilt Chairs

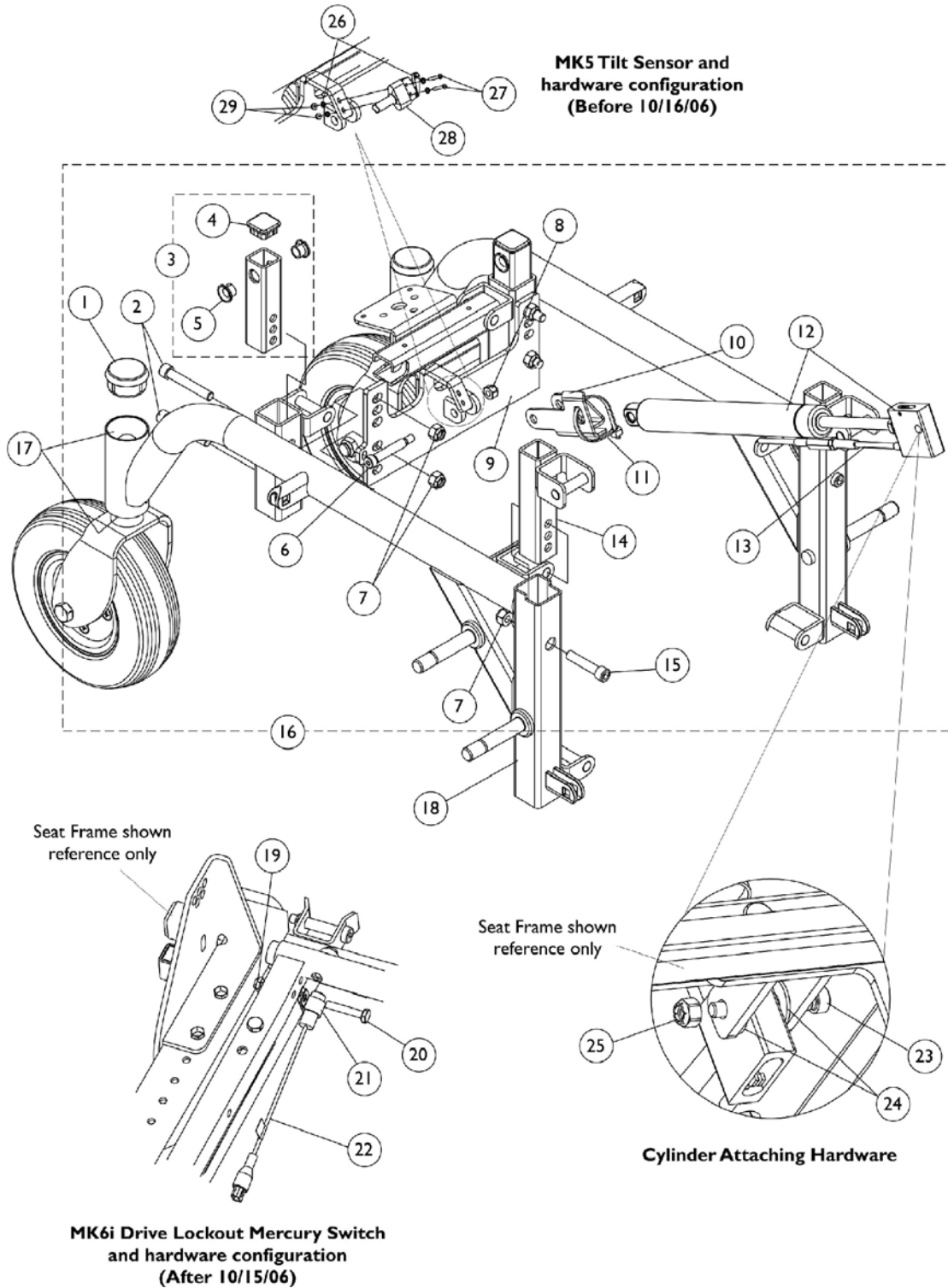
Item Number	Note	Part Number	Description	Quantity Per	
				Package	Assembly
1		1105026	Plug Button, Head Tube, Black	1	1
2		1021344	Screw, Socket Head (5/16-18 x 1-1/2")	1	2
3		1123397-NLA	NLA - Slide Tube, Seat Height Adjustment -Rear	1	2
3	D	1152528-NLA	NLA - Slide Tube Assembly, Seat Height Adjustment, Rear	1	2
4		1123524-NLA	NLA - Tube, Slide, Seat Height Adjustment, Front	1	1
5		1026158	Locknut (5/16-18)	1	2
6		40117X006	Bearing (5/8")	1	2
7		1109198-NLA	NLA - Label, Yellow Stripe	1	2
8		1109200-NLA	NLA - Label Marker (2)	1	1
9		1109199-NLA	NLA - Label Marker (1)	1	1
10		1109201-NLA	NLA - Label Marker (3)	1	1
11	A	1109320-NLA	NLA - Side Frame Assembly - Right	1	1
11	A	1109321-NLA	NLA - Side Frame Assembly - Left	1	1
	B,C	1123398	Kit, Side Frame Hardware	1	1

NOTE: A - Includes items 6-10
 B - Includes items 1-5
 C - Not Shown
 D - When replacing a "Slide Tube, Seat Height Adjustment - Rear" part # 1123397 with the part # 1152528 both sides must be replaced simultaneously.

Side Frame and Tilt Hardware

Tilt Chairs

Tilt Sensor Cable and Splitter Cable can be found in the MK5 Controller Cables category.
As of 7/1/2009, switches are mercury free.



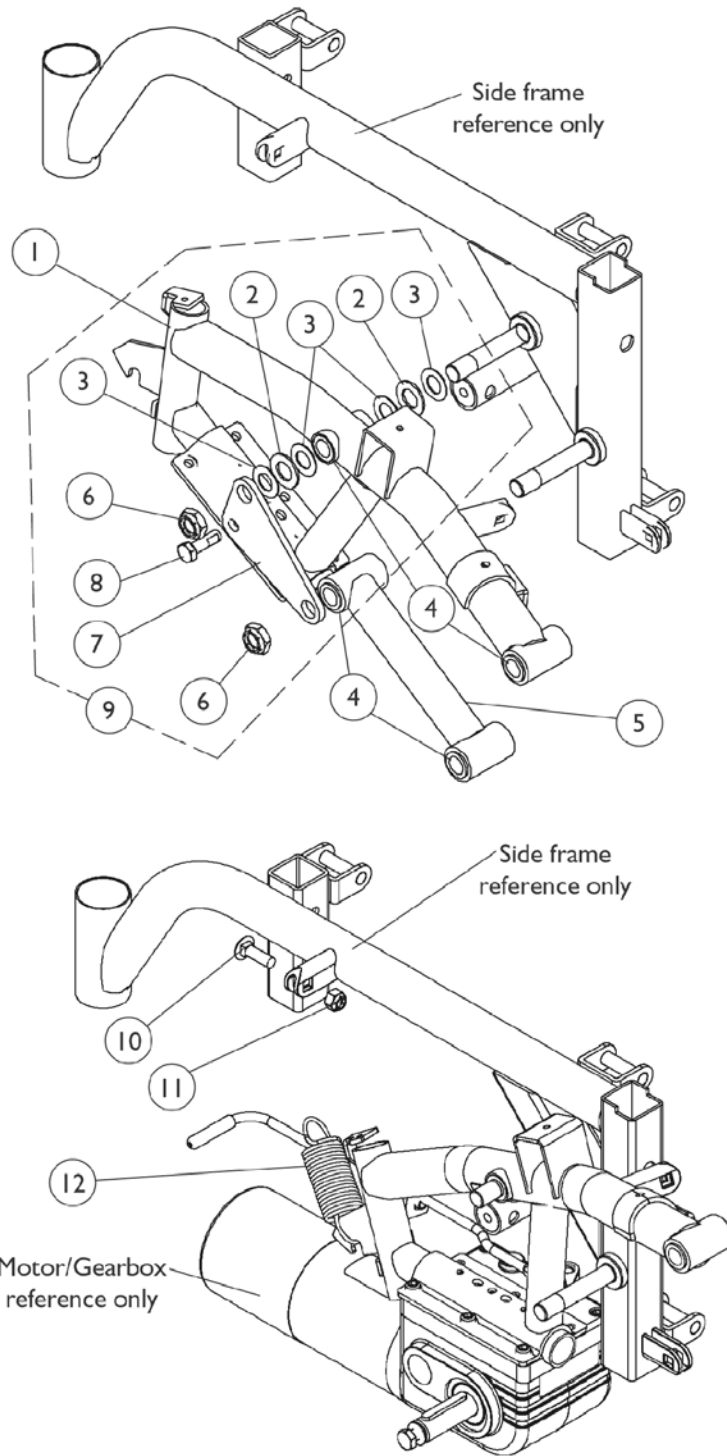
Side Frame and Tilt Hardware Tilt Chairs

**Tilt Sensor Cable and Splitter Cable can be found in the MK5 Controller Cables category.
As of 7/1/2009, switches are mercury free.**

Item Number	Note	Part Number	Description	Quantity Per	
				Package	Assembly
1		1105026	Plug Button, Head Tube, Black	1	2
2		1126151-NLA	NLA - Screw, Socket Head (5/16-18 x 2")	1	4
3	A	1126107-NLA	NLA - Tube, Slide, Seat Height Adjustment, Rear	1	2
4		1105038	Plug Button, Black (1" Square)	1	2
5		1082705-NLA	NLA - Bearing, Flange	1	4
6		1104846-NLA	NLA - Screw, Socket Head Shoulder (5/16 x 1-1/2", 1/4-20)	1	1
7		1026158	Locknut (5/16-18)	1	6
8		1025736	Locknut (1/4-20)	1	1
9		1126112-NLA	NLA - Bracket, Cylinder, Rear, Black	1	1
10		1126113-NLA	NLA - Bracket, Sensor Actuator, Black	1	1
11		1095502-NLA	NLA - Package, Tie Wrap (11-1/2" L)	10	1
12	B	1126105-NLA	NLA - Cylinder, Locking with Cable & Release Handle	1	1
13		1126103-NLA	NLA - Release Handle Assembly w/ Cable	1	1
14		1123524-NLA	NLA - Tube, Slide, Seat Height Adjustment, Front	1	2
15		1021344	Screw, Socket Head (5/16-18 x 1-1/2")	1	2
16	C	1126121-NLA	NLA - Kit, Frame/Tilt Hardware	1	1
17		40117X006	Bearing (5/8")	1	2
18	D	1109320-NLA	NLA - Side Frame Assembly - Right	1	1
18	D	1109321-NLA	NLA - Side Frame Assembly - Left	1	1
19		1025195	Locknut (1/4-20)	1	1
20		1074642-NLA	NLA - Screw, Hex Head (1/4-20 x 1-3/8")	1	1
21		0062800-NLA	NLA - Bracket, Cable/Wire Mounting, Black	1	1
22	E	1140099	Switch, Drive Lockout Mercury Free Ball (MK6i) (50" L)	1	1
23		1104846-NLA	NLA - Screw, Socket Head Shoulder (5/16 x 1-1/2", 1/4-20)	1	1
24		1012371	Washer, Nylon (3/8 x 7/8 x 1/16")	1	2
25		1025736	Locknut (1/4-20)	1	1
26		1120253-NLA	NLA - Washer, Lock Internal Tooth (#2)	1	4
27		1126570-NLA	NLA - Screw, Phillips Pan Head (#2-56 x 5/8")	1	2
28		1126122-NLA	NLA - Cable, Tilt Sensor	1	1
29		57007X002-NLA	NLA - Locknut (#2-56)	1	2

NOTE: A - Includes items 4 and 5
 B - Includes item 13
 C - Includes items 1-15
 D - Includes Bearings (item 17)
 E - Please refer to the MK6i Electronics catalog for further information regarding electronic components.

SureStep Walking Beams and Hardware



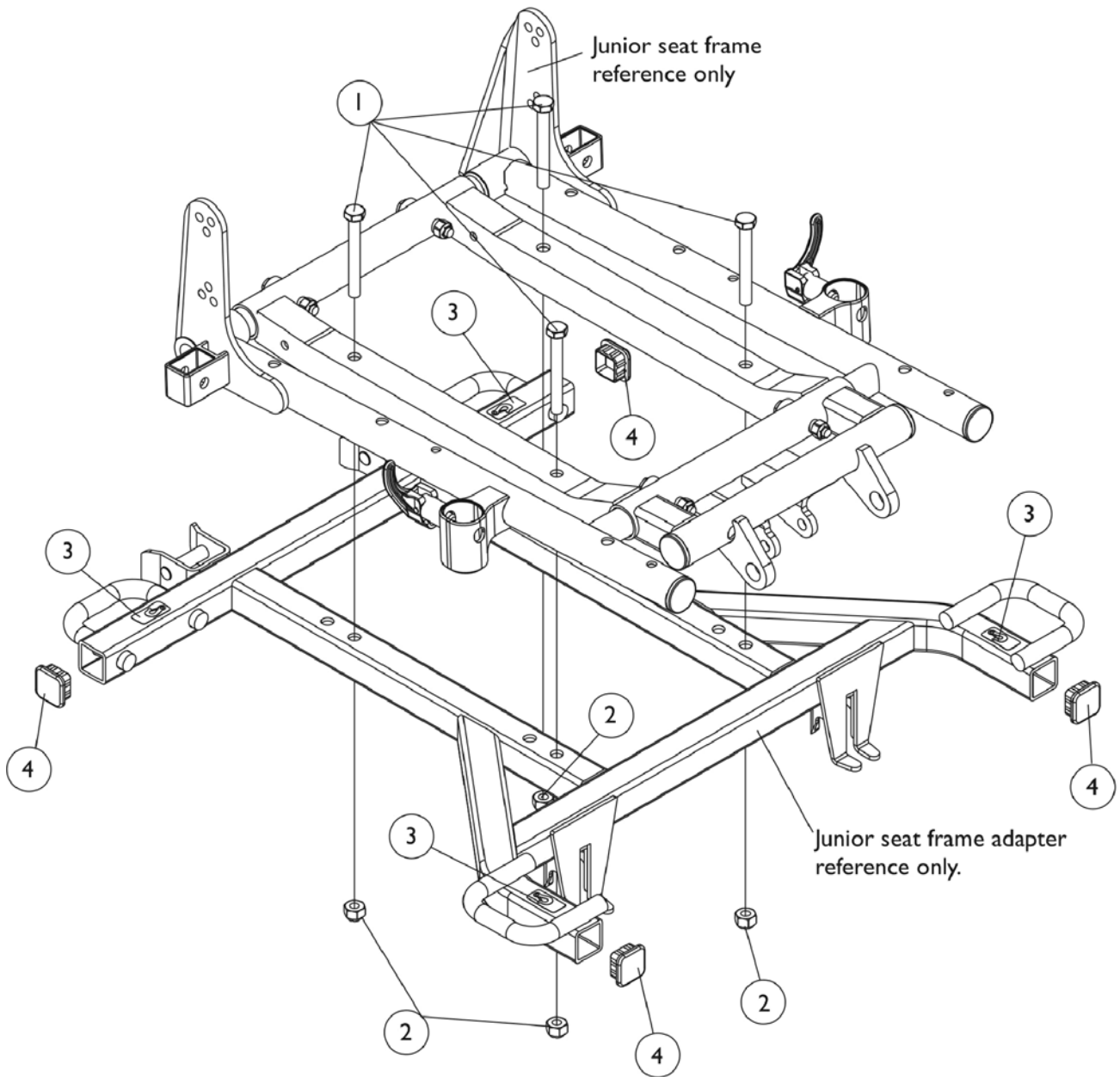
SureStep Walking Beams and Hardware

Item Number	Note	Part Number	Description	Quantity Per	
				Package	Assembly
1	A	1109025-NLA	NLA - Walking Beam, SureStep - Right	1	1
1	A	1109026-NLA	NLA - Walking Beam, SureStep - Left	1	1
2		40157X015-NLA	NLA - Washer, Nylon (9/16 x 1 x 5/8")	1	2
3		1106492-NLA	NLA - Washer (1/2 x 29/32 x 1/32")	1	4
4		1106485	Bushing (1/2 x 5/8")	1	8
5	A	1109018	Tube, Pivot, Black	1	1
6		1025737	Locknut (1/2-20)	1	2
7		1106078-NLA	NLA - Plate Reinforcement	1	1
8		1050161-NLA	NLA - Screw, Hex Head w/ Patch (5/16-18 x 1")	1	1
9	B	1108066-NLA	NLA - Kit, SureStep Walking Beam Hardware	1	1
10		1105030	Bolt, Round Head Square Neck (5/16-18 x 1")	1	1
11		1026158	Locknut (5/16-18)	1	1
12		1129464-NLA	NLA - Spring, Extension (1-1/8 x 3-1/2" L)	1	1
NOTE: A - Includes 4 each Bushings, item 4 B - Includes items 2, 3, 6-8					

ASBA Seat Frame Mounting Hardware

Before 10/27/04

NOTE: ASBA Junior seat frame adapter is offered as an ON-Chair item only. When a replacement is required, call Invacare's Technical Service Department at 1-800-832-4707 for assistance.



ASBA Seat Frame Mounting Hardware Before 10/27/04

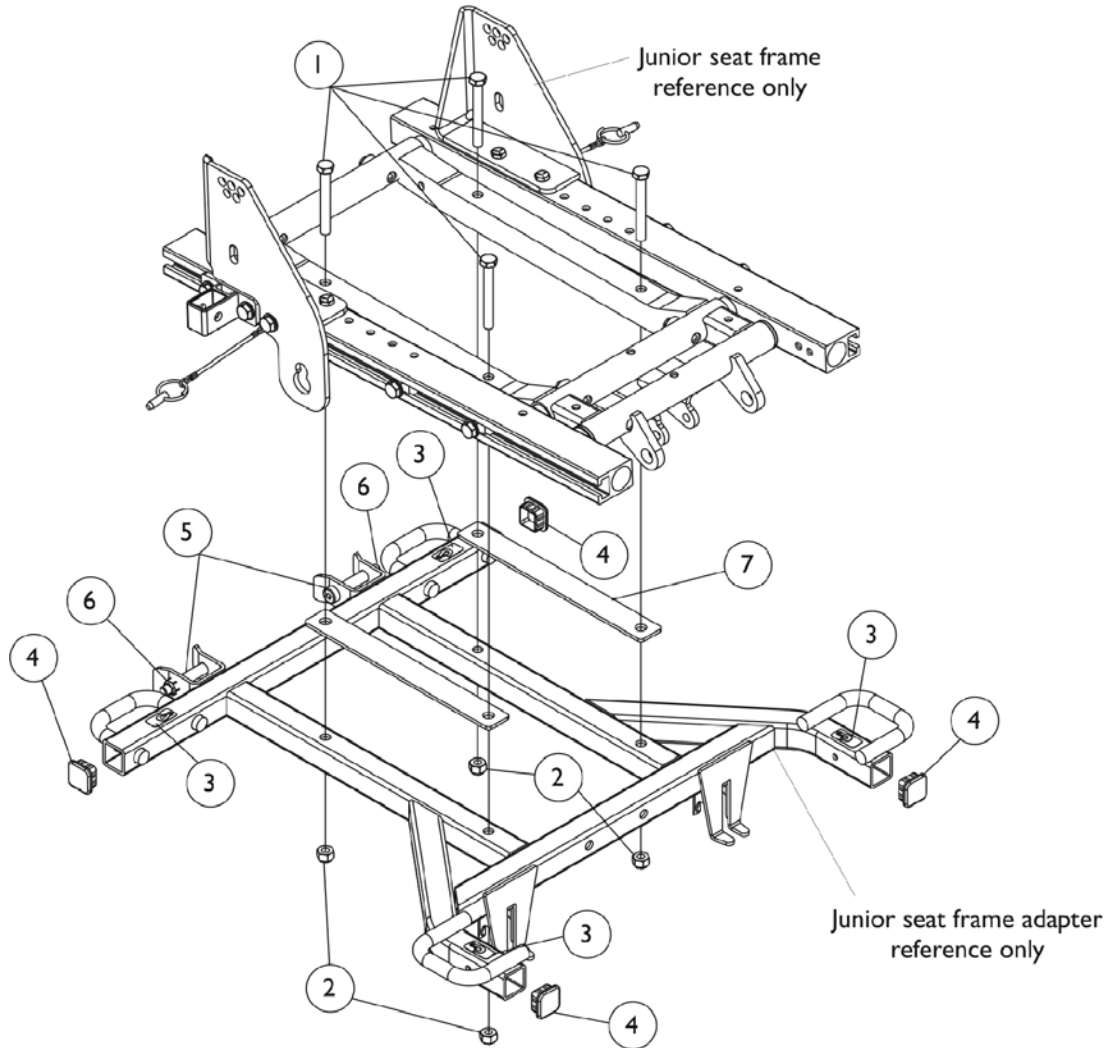
NOTE: ASBA Junior seat frame adapter is offered as an ON-Chair item only. When a replacement is required, call Invacare's Technical Service Department at 1-800-832-4707 for assistance.

Item Number	Note	Part Number	Description	Quantity Per	
				Package	Assembly
1		90162X000-NLA	NLA - Screw, Hex Head (5/16-18 x 2-1/2")	1	4
2		1026158	Locknut (5/16-18)	1	4
3		1083199-NLA	NLA - Label, Hook Tie-Down	1	4
4		1105038	Plug Button, Black (1" Square)	1	4

ADJASBA Seat Frame Mounting Hardware

After 10/26/04

NOTE: ADJASBA Junior seat frame adapter is offered as an ON-Chair item only. When a replacement is required, call Invacare's Technical Service Department at 1-800-832-4707 for assistance.

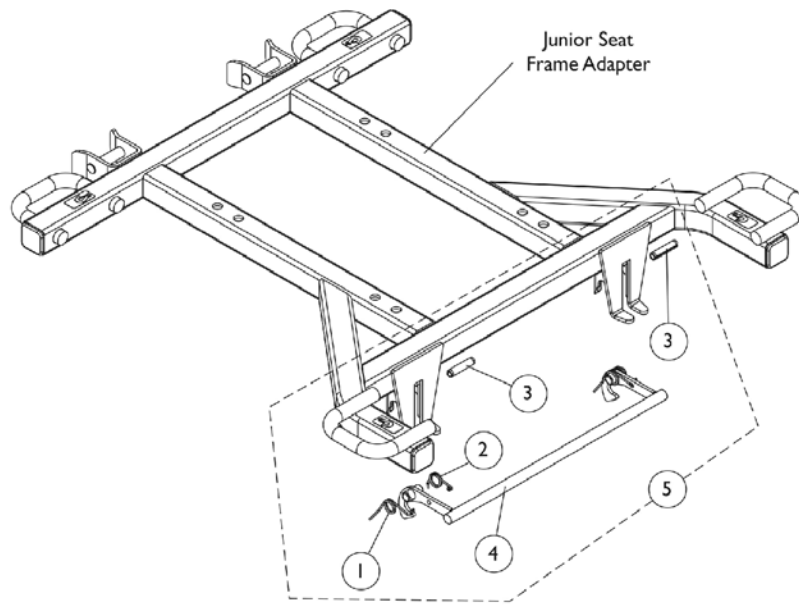


ADJASBA Seat Frame Mounting Hardware After 10/26/04

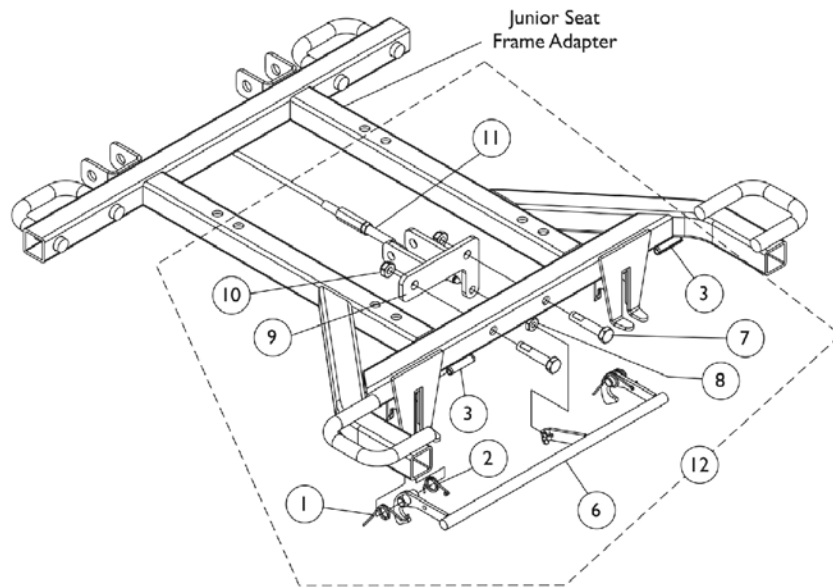
NOTE: ADJASBA Junior seat frame adapter is offered as an ON-Chair item only. When a replacement is required, call Invacare's Technical Service Department at 1-800-832-4707 for assistance.

Item Number	Note	Part Number	Description	Quantity Per	
				Package	Assembly
1		90162X000-NLA	NLA - Screw, Hex Head (5/16-18 x 2-1/2")	1	4
2		1026158	Locknut (5/16-18)	1	4
3		1083199-NLA	NLA - Label, Hook Tie-Down	1	4
4		1105038	Plug Button, Black (1" Square)	1	4
5		1031665	Screw, Shoulder Hex Socket Head (3/8 x 1-1/2", 5/16-18)	1	2
6		1028769	Locknut (5/16-18)	1	2
7		1128262-NLA	NLA - Spacer, Seat Frame Adapter, Black	1	2

Seat Release Hardware



Non-Tilt chairs

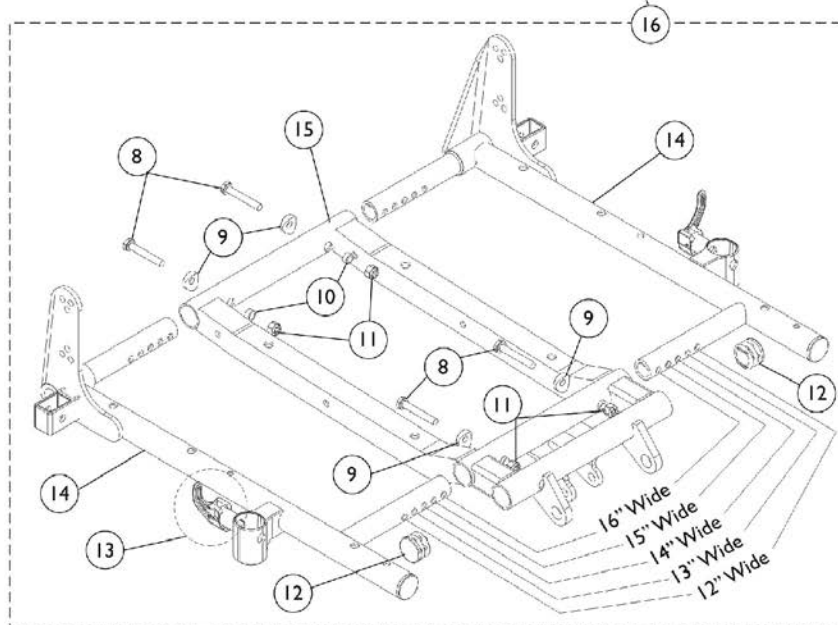
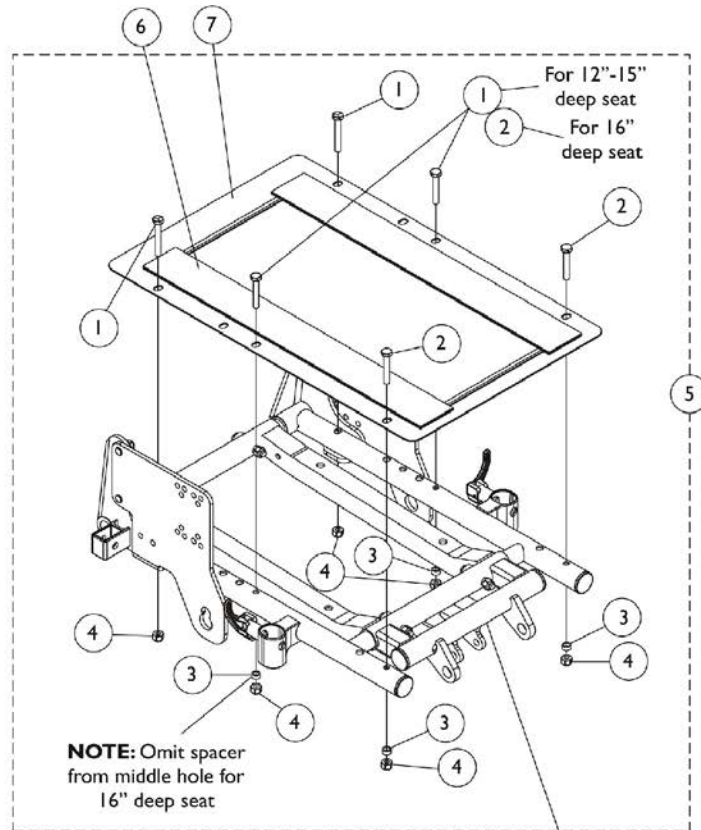


Tilt chairs

Seat Release Hardware

Item Number	Note	Part Number	Description	Quantity Per	
				Package	Assembly
1		1109219-NLA	NLA - Spring, Torsion - Right	1	1
2		1109220-NLA	NLA - Spring, Torsion - Left	1	1
3		1108239-NLA	NLA - Pin, Slotted (1/4 x 1-1/8")	1	2
4	A	1106476-NLA	NLA - Latch Bar, Seat, Black	1	1
5	B,A	1108068	Kit, Seat Release Hardware	1	1
6	C	1126119-NLA	NLA - Latch, Seat, Black	1	1
7		1116983-NLA	NLA - Screw, Hex Head w/ Patch (5/16-18 x 1-1/2")	1	2
8		1071276-NLA	NLA - Nut, Hex (1/4-20)	1	1
9		1126116-NLA	NLA - Bracket, Cylinder Cable Mounting, Black	1	1
10		1028769	Locknut (5/16-18)	1	2
11		1126103-NLA	NLA - Release Handle Assembly w/ Cable	1	1
12	C,D	1126120-NLA	NLA - Seat Release Assembly	1	1
NOTE: A - Non-Tilt chairs B - Includes items 1-4 C - Tilt chairs D - Includes items 1-3, 6-11					

ASBA Seat Frame, Seat Pan and Hardware Before 10/27/04



ASBA Seat Frame, Seat Pan and Hardware Before 10/27/04

Item Number	Note	Part Number	Description	Quantity Per	
				Package	Assembly
1	A	1024793-NLA	NLA - Screw, Hex Head (1/4-20 x 1-3/4")	1	2
2	B	1030949	Screw, Hex Head (1/4-20 x 1-1/2")	1	4
3	B	1047449-NLA	NLA - Spacer (1/4 x 3/8 x 3/16")	1	4
4		1025736	Locknut (1/4-20)	1	6
5	C	1123393-NLA	NLA - Kit, Seat Pan Mounting Hardware (12 - 15" Deep Seats)	1	1
5	C	1123394-NLA	NLA - Kit, Seat Pan Mounting Hardware (16" Deep Seat)	1	1
6		1039949-NLA	NLA - Fastener, Hook Adhesive Back (2" W x 16" L)	1	2
6		1044578-NLA	NLA - Fastener, Loop Adhesive Back (2" W x 16" L)	1	2
7		See Chart	#7 Seat Pans	1	1
8		1037610	Screw, Hex Head (1/4-20 x 1-5/8")	1	4
9		1026099	Spacer, Coved (1/4 x 11/16 x 1/2")	1	4
10		1047449-NLA	NLA - Spacer (1/4 x 3/8 x 3/16")	1	4
11		1025736	Locknut (1/4-20)	1	4
12		1029501	Plug Button, Black (1")	1	2
13		1090768	Kit, Lock Handle w/Rivets (Pair)	2	1
14		See Chart	#14, 15, & 16 ASBA Junior Seat Frame Assembly	1	1
15		See Chart	#14, 15, & 16 ASBA Junior Seat Frame Assembly	1	1
16		See Chart	#14, 15, & 16 ASBA Junior Seat Frame Assembly	1	1

NOTE: A - 16" deep seats use a quantity of 4 each
 B - 16" deep seats use a quantity of 2 each
 C - Includes items 1-4

ASBA Seat Frame, Seat Pan and Hardware

Before 10/27/04

#7 Seat Pans

Chair Width	12"-15" Deep	16" Deep
12" Wide	1066009-NLA	1070513
13" Wide	1066010-NLA	1070514-NLA
14" Wide	1066022-NLA	1066011-NLA
15" Wide	1066023-NLA	1066012-NLA
16" Wide	1066024	1066013-NLA

NOTE: 12"-15" seat depths are achieved by using different back cane mounting hardware.

#14, 15, and 16 Seat Frame Assembly

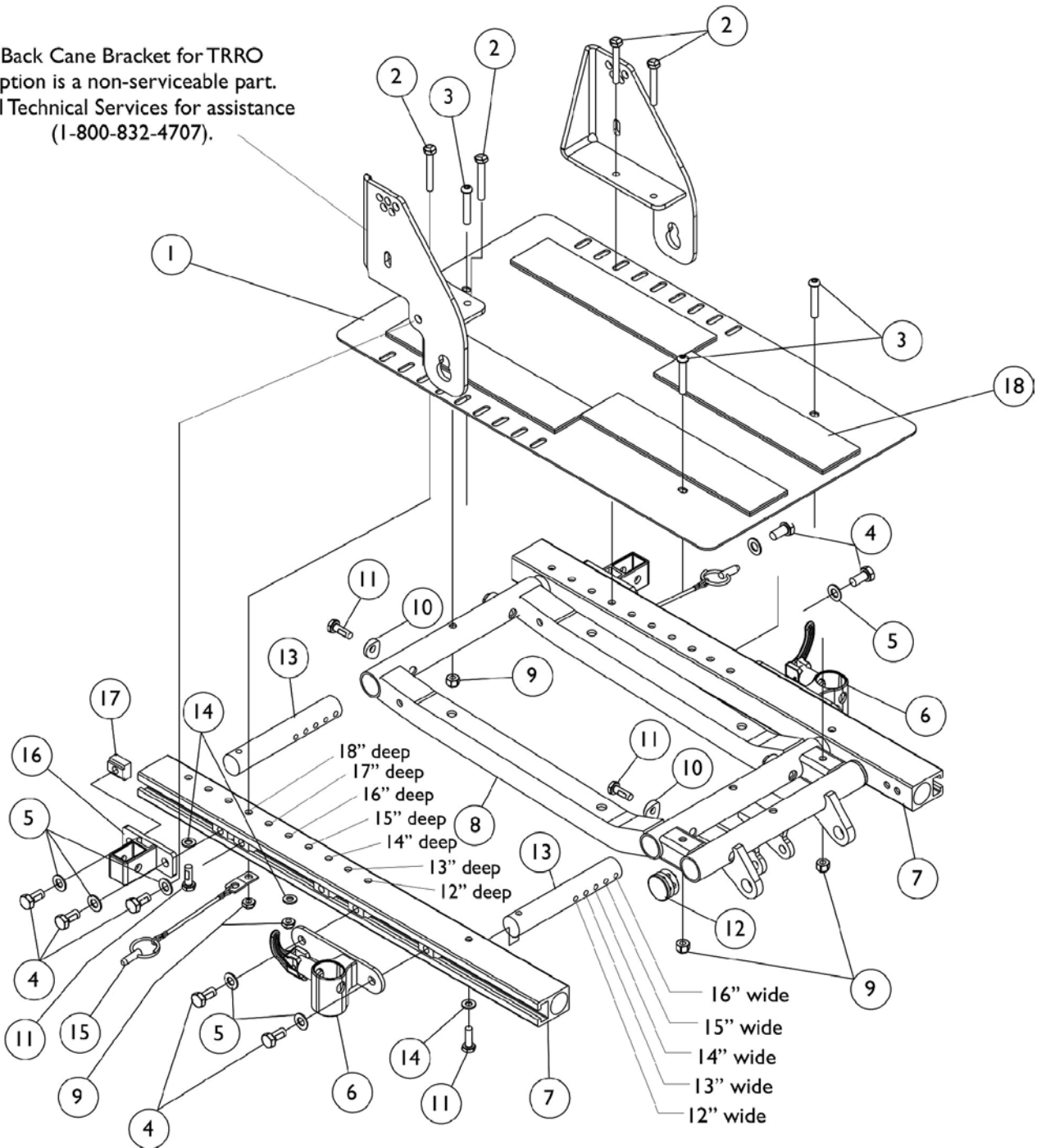
Item Number	Seat Frame	12"-16" W 12"-16" D
14	Seat Frame Right See Note(s) A	1070473-NLA
14	Seat Frame Left See Note(s) A	1070474-NLA
15	Seat Frame Center	1121982-NLA
16	Seat Frame Assembly See Note(s) B	1121991-NLA

NOTE: A - Seat frame includes item 13 arm lock assembly.
B - Includes items 8-15

ADJASBA Seat Frame, Seat Pan and Hardware

TRRO Option - Introduced 10/27/04

Back Cane Bracket for TRRO option is a non-serviceable part. Call Technical Services for assistance (1-800-832-4707).



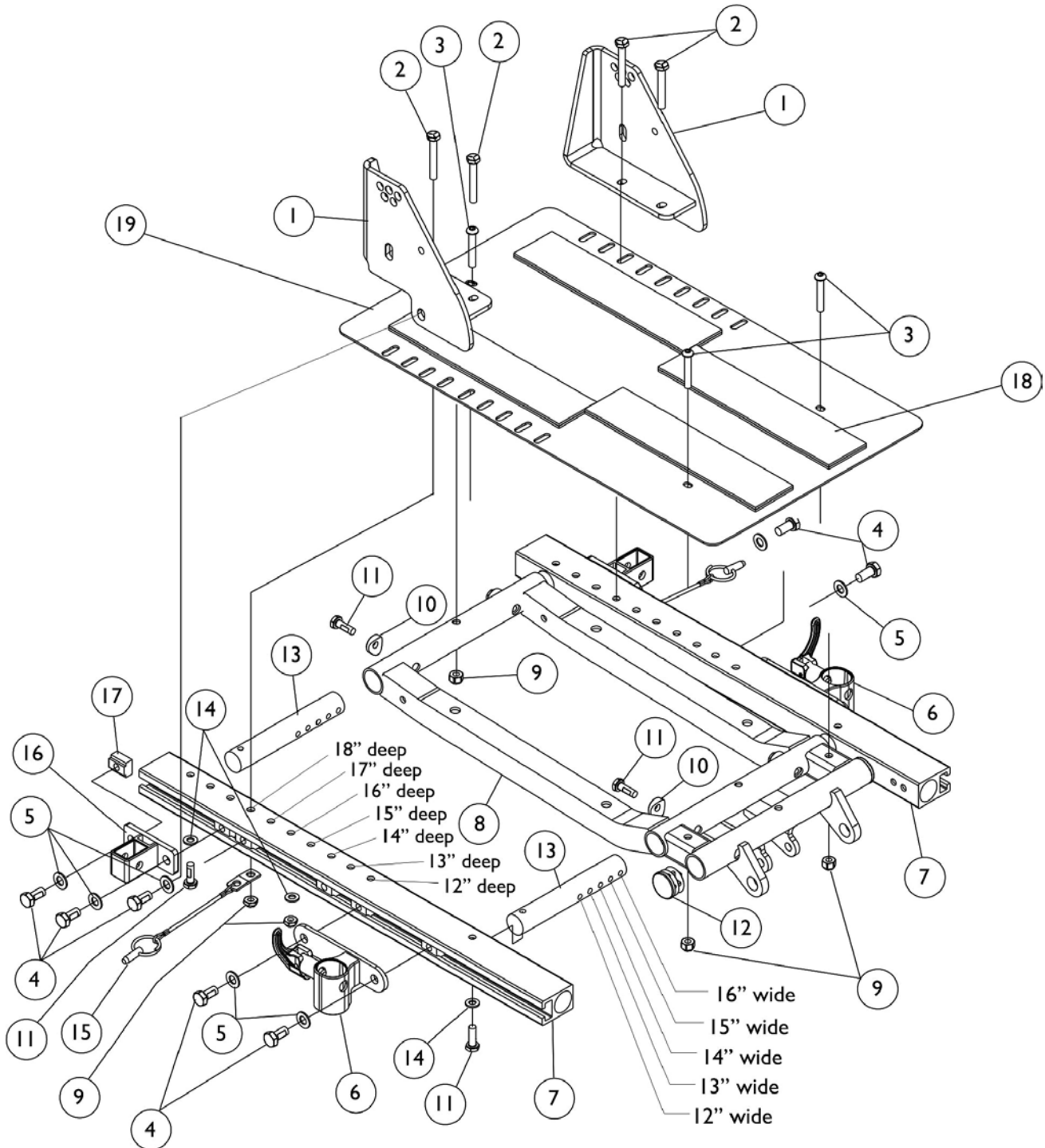
ADJASBA Seat Frame, Seat Pan and Hardware TRRO Option - Introduced 10/27/04

Item Number	Note	Part Number	Description	Quantity Per	
				Package	Assembly
1	A	1126144	Pan, Seat, with Hook and Loop Fasteners (12 - 16" W x 12 - 18" D)	1	1
2		1024793-NLA	NLA - Screw, Hex Head (1/4-20 x 1-3/4")	1	4
3		1008495	Screw, Socket Button Head (1/4-20 x 1-1/2")	1	3
4		1122652	Screw, Hex Head w/ Patch (5/16-18 x 5/8")	1	10
5		1025704	Washer, Flat (5/16 x 5/8 x 1/16")	1	10
6		1122619	Socket, Arm, Front - Right	1	1
6		1122620	Socket, Arm, Front - Left	1	1
7		1126127-NLA	NLA - Rail, Side (12 - 18" D)	1	2
8		1121982-NLA	NLA - Frame, Center Seat, Black	1	1
9		1025736	Locknut (1/4-20)	1	7
10		1026099	Spacer, Coved (1/4 x 11/16 x 1/2")	1	4
11		1045267	Screw, Hex Head w/ Patch (1/4-20 x 3/4")	1	8
12		1029501	Plug Button, Black (1")	1	2
13		1126126-NLA	NLA - Crossbar, Seat Frame (12 - 16" W)	1	4
14		1026907	Washer (1/4 x 1/2 x 1/16")	1	6
15		1068039	Pin, Pull	1	2
16		1126142	Socket, Arm, Rear	1	2
17		1069724	T-Nut (5/16-18)	1	10
18		1039949-NLA	NLA - Fastener, Hook Adhesive Back (2" W x 16" L)	1	4
18		1044578-NLA	NLA - Fastener, Loop Adhesive Back (2" W x 16" L)	1	4

NOTE: A - Includes item 18

ADJASBA Seat Frame, Seat Pan and Hardware

TRBKTS Option - Introduced 12/19/05



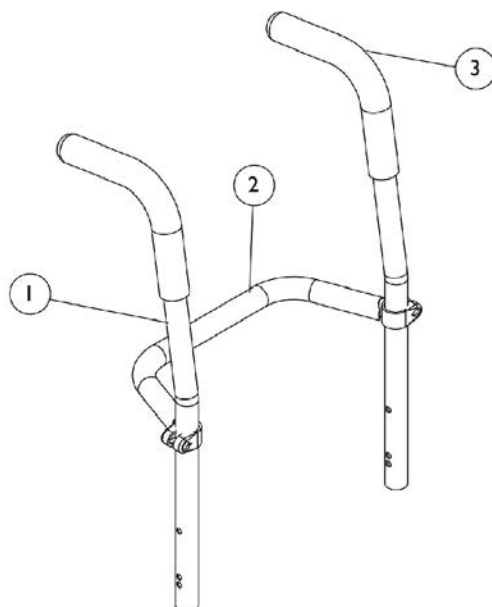
ADJASBA Seat Frame, Seat Pan and Hardware

TRBKTS Option - Introduced 12/19/05

Item Number	Note	Part Number	Description	Quantity Per	
				Package	Assembly
1		1133597-NLA	NLA - Bracket, Back Cane Mounting, Black - Right	1	1
1		1133598-NLA	NLA - Bracket, Back Cane Mounting, Black - Left	1	1
2		1024793-NLA	NLA - Screw, Hex Head (1/4-20 x 1-3/4")	1	4
3		1008495	Screw, Socket Button Head (1/4-20 x 1-1/2")	1	3
4		1122652	Screw, Hex Head w/ Patch (5/16-18 x 5/8")	1	10
5		1025704	Washer, Flat (5/16 x 5/8 x 1/16")	1	10
6		1122619	Socket, Arm, Front - Right	1	1
6		1122620	Socket, Arm, Front - Left	1	1
7		1126127-NLA	NLA - Rail, Side (12 - 18" D)	1	2
8		1121982-NLA	NLA - Frame, Center Seat, Black	1	1
9		1025736	Locknut (1/4-20)	1	7
10		1026099	Spacer, Coved (1/4 x 11/16 x 1/2")	1	4
11		1045267	Screw, Hex Head w/ Patch (1/4-20 x 3/4")	1	8
12		1029501	Plug Button, Black (1")	1	2
13		1126126-NLA	NLA - Crossbar, Seat Frame (12 - 16" W)	1	4
14		1026907	Washer (1/4 x 1/2 x 1/16")	1	6
15		1068039	Pin, Pull	1	2
16		1126142	Socket, Arm, Rear	1	2
17		1069724	T-Nut (5/16-18)	1	10
18		1039949-NLA	NLA - Fastener, Hook Adhesive Back (2" W x 16" L)	1	4
18		1044578-NLA	NLA - Fastener, Loop Adhesive Back (2" W x 16" L)	1	4
19	A	1126144	Pan, Seat, with Hook and Loop Fasteners (12 - 16" W x 12 - 18" D)	1	1

NOTE: A - Includes item 18

Back Canes and Spreader Bar Before 10/27/04



Item Number	Note	Part Number	Description	Quantity Per	
				Package	Assembly
1		See Chart	#1 Back Cane w/ Grip	1	1
2		1043871-NLA	NLA - Bar, Spreader, Black (14" W)	1	1
2		1043872-NLA	NLA - Bar, Spreader, Black (15" W)	1	1
2		1043873	Bar, Spreader, Black (16" W)	1	1
3		1032246	Grip, Cane	1	2

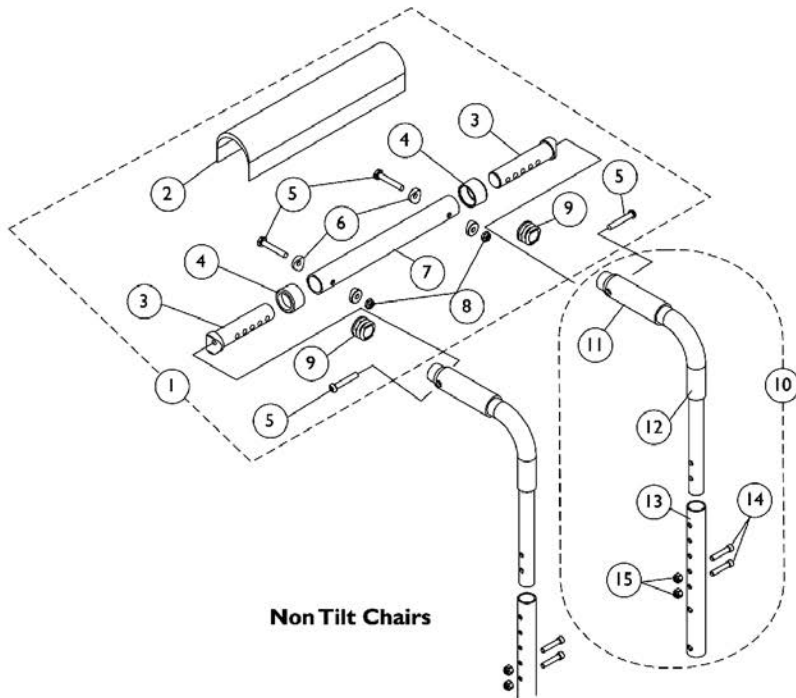
#1 Back Cane w/ Grip

Back Height	Back Cane w/ Grip 10 Degree Bend
12"	1049955-NLA
13"	1049956-NLA
14"	1049957-NLA
15"	1049958-NLA
16"	1045575
17"	1045576
18"	1045577
19"	1045578
20"	1045579-NLA
21"	1052227-NLA
22"	1052230

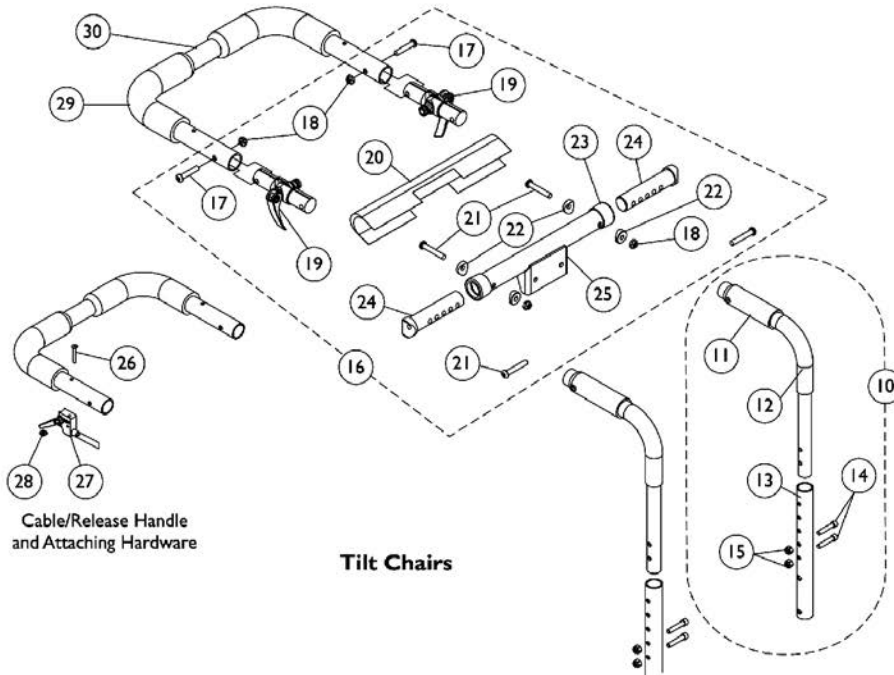
NOTE: Back canes include foam grips

Back Canes, Spreader Bar, and Push Handle

After 10/26/04



Non Tilt Chairs



**Cable/Release Handle
and Attaching Hardware**

Tilt Chairs

Back Canes, Spreader Bar, and Push Handle

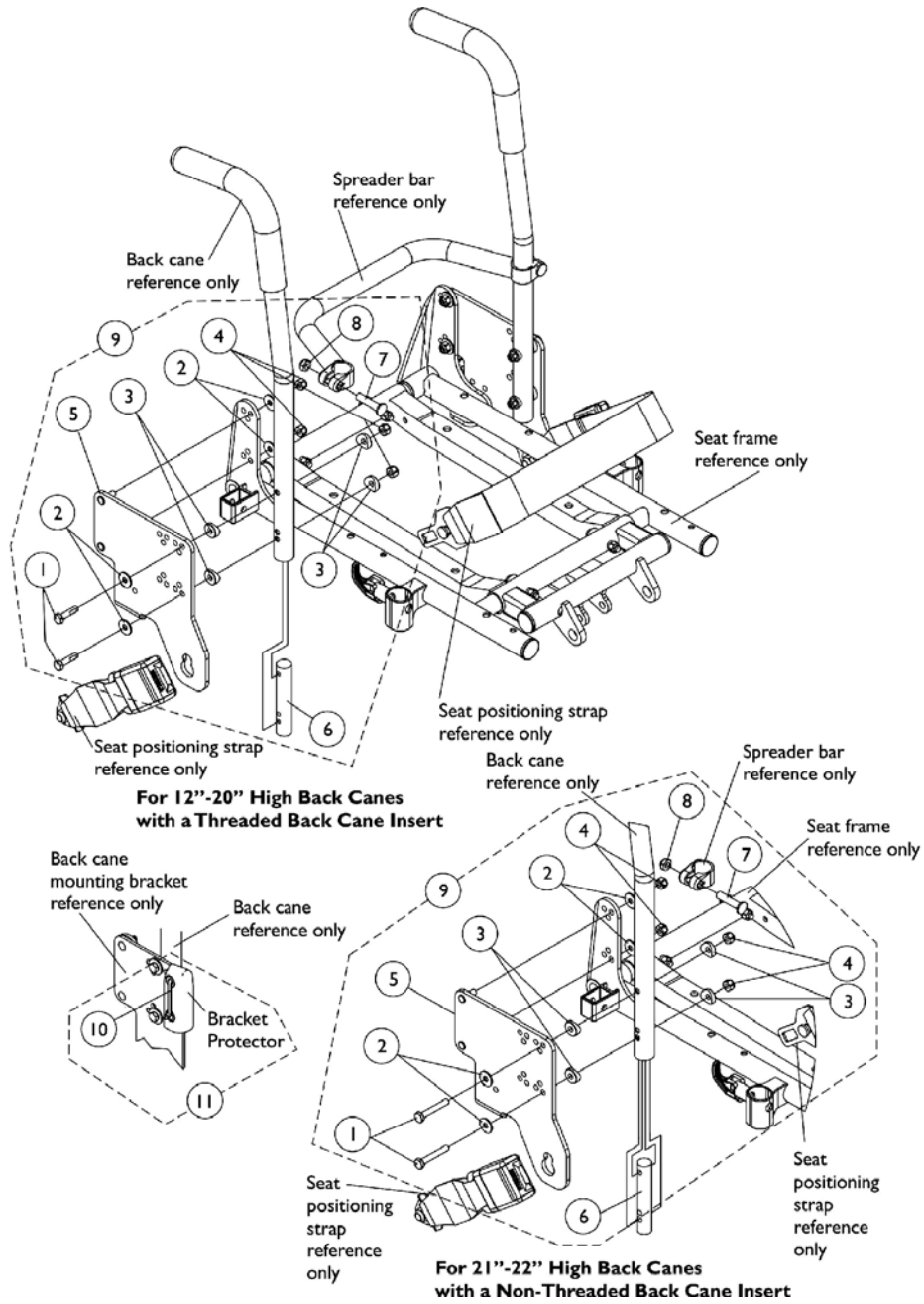
After 10/26/04

Item Number	Note	Part Number	Description	Quantity Per	
				Package	Assembly
1	A,B	1126147	Kit, Spreader Bar Assembly (12"-16" Wide)	1	1
2			Cover, Spreader Bar (16-20" W)	1	1
3			NLA - Insert, Spreader Bar Connector, Black	1	2
4			Anti-Rattle (1")	1	2
5			Screw, Socket Button Head (1/4-20 x 1-1/2")	1	4
6			Spacer, Coved (1/4 x 11/16 x 1/2")	1	4
7			NLA - Tube, Spreader Bar, Black	1	1
8			Locknut (1/4-20)	1	2
9			Plug Button, Black (1")	1	2
10	C	1127154-NLA	NLA - Kit, Back Cane Assembly with Hardware (12"-15" Back Height)	1	1
11			Grip, Hand, Foam (4")	1	1
12			Handle, Push, Black	1	1
13			Cane, Back, Lower, Black - Right/Left (12-15" H)	1	1
14			Screw, Socket Head (1/4-20 x 1-1/4")	1	2
15			Locknut (1/4-20)	1	2
10	C	1127155-NLA	NLA - Kit, Back Cane Assembly with Hardware (16"-19" Back Height)	1	1
11			Grip, Hand, Foam (4")	1	1
12			Handle, Push, Black	1	1
13			Cane, Back, Lower, Black - Right/Left (16-19" H)	1	1
14			Screw, Socket Head (1/4-20 x 1-1/4")	1	2
15			Locknut (1/4-20)	1	2
10	C	1127156	Kit, Back Cane Assembly with Hardware (20"-22" Back Height)	1	1
11			Grip, Hand, Foam (4")	1	1
12			Handle, Push, Black	1	1
13			Cane, Back, Lower, Black - Right/Left (20-22" H)	1	1
14			Screw, Socket Head (1/4-20 x 1-1/4")	1	2
15			Locknut (1/4-20)	1	2
11		1135505	Package, Foam Hand Grip (4" L)	10	1
16	D	1126148-NLA	NLA - NLA - Kit, Spreader Bar with Headrest Bracket (12"-16" Adj. Width)	1	1
17			Screw, Socket Button Head (1/4-20 x 1-1/4")	1	2
18			Locknut (1/4-20)	1	4
19			Folding Hinge Assembly	1	2
20			Cover, Spreader Bar w/ Headrest Bracket	1	1
21			Screw, Socket Button Head (1/4-20 x 1-1/2")	1	4
22			Spacer, Coved (1/4 x 11/16 x 1/2")	1	4
23			Anti-Rattle (1")	1	2
24			NLA - Insert, Spreader Bar Connector, Black	1	2
25			NLA - Tube, Spreader Bar w/ Headrest Bracket, Black	1	1
26		1028513-NLA	NLA - Screw, Socket Head (#10-32 x 1-1/4")	1	1

Back Canes, Spreader Bar, and Push Handle After 10/26/04

Item Number	Note	Part Number	Description	Quantity Per	
				Package	Assembly
27		1126103-NLA	NLA - Release Handle Assembly w/ Cable	1	1
28		1086207	Nut, Square (#10-32)	1	1
29		1133698	Grip, Foam Hand (9" L)	1	2
30		1082620-NLA	NLA - Handle, Push w/ Foam Grip, Black (12" W)	1	1
30		1082621-NLA	NLA - Handle, Push w/ Foam Grip, Black (13" W)	1	1
30		1082622-NLA	NLA - Handle, Push w/ Foam Grip, Black (14" W)	1	1
30		1082623	Handle, Push w/ Foam Grip, Black (15" W)	1	1
30		1082624	Handle, Push w/ Foam Grip, Black (16" W)	1	1
NOTE: A - Plug Buttons are not required when stroller handles are used. B - Includes items 2-9 C - Includes items 11-15 D - Includes items 17-25					

Back Canes and Spreader Bar Mounting Hardware Before 10/27/04 (12-13" Seat Depths)

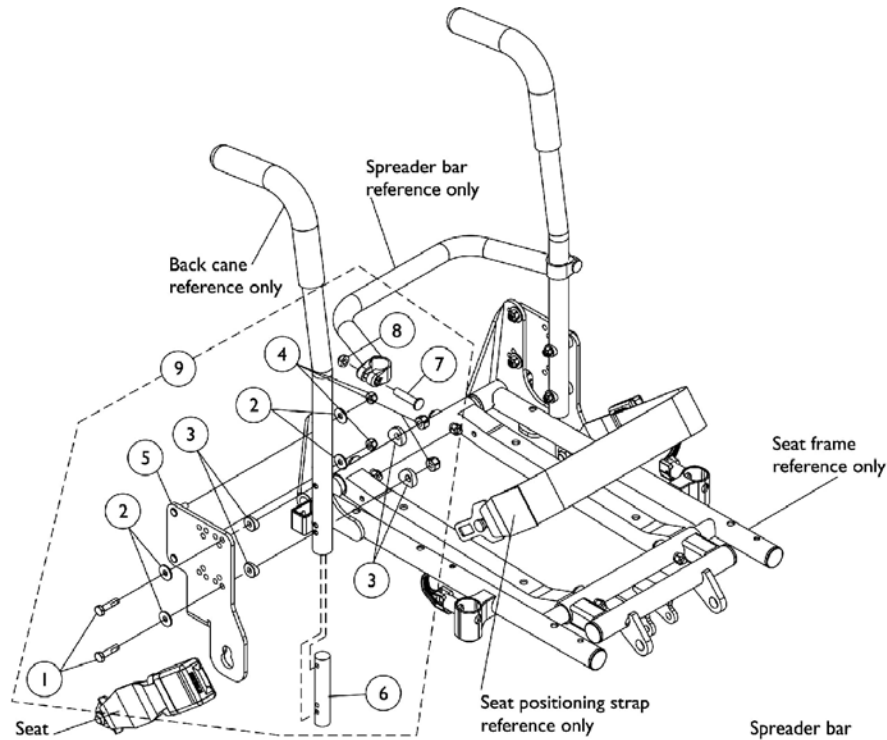


Back Canes and Spreader Bar Mounting Hardware Before 10/27/04 (12-13" Seat Depths)

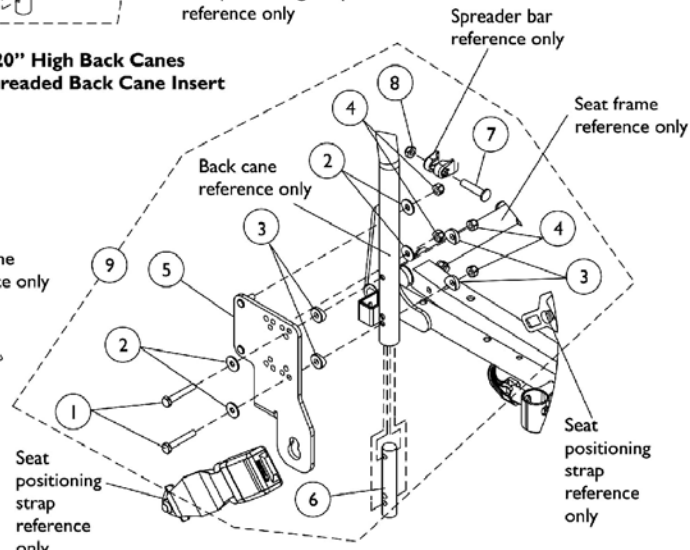
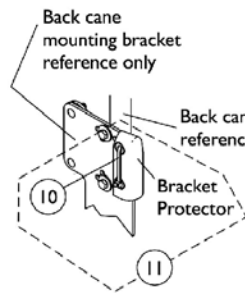
Item Number	Note	Part Number	Description	Quantity Per	
				Package	Assembly
1	A	1037610	Screw, Hex Head (1/4-20 x 1-5/8")	1	4
2		1026900	Washer (1/4 x 23/32 x 1/16")	1	8
3		1026099	Spacer, Coved (1/4 x 11/16 x 1/2")	1	8
4		1025736	Locknut (1/4-20)	1	8
5		1121895-NLA	NLA - Bracket, Back Cane Mounting, Black - Right (12 - 13" D)	1	1
5		1121896-NLA	NLA - Bracket, Back Cane Mounting, Black - Left (12 - 13" D)	1	1
6	A	1059388	Insert, Non-Threaded Back Cane (For Back Heights 20" and Lower)	1	2
6		1070433-NLA	NLA - Insert, Non-Threaded Back Cane (For Back Heights 21" and Higher)	1	2
7	B	1031026	Screw w/ Lug (5/16-24 x 1-3/8")	1	2
8	B	1025730	Locknut (5/16-24)	1	2
9	C	1122276-NLA	NLA - Kit, Back Mounting Hardware (12-13" Seat Depths with 12-19" Back Heights)	2	1
9	D	1122277-NLA	NLA - Kit, Back Mounting Hardware (12-13" Seat Depths with a 20" Back Height)	2	1
9	D	1122278-NLA	NLA - Kit, Back Mounting Hardware (12-13" Seat Depths with 21-22" Back Heights)	2	1
10		1006525	Tie Wrap (3-29/32" L)	1	2
11	F	1045270-NLA	NLA - Protector Bracket Assembly	2	1
	E,G	1045271-NLA	NLA - Instruction Sheet, Bracket Protector	1	1

NOTE: A - Prior to 7/9/04 new back mounting hardware must be ordered for 12-13" deep seats that use CJ brackets. The threaded insert was replaced with a non-threaded insert for back heights 20" and lower.
 B - Item 7 and 8 used for back heights 20"-22" only
 C - Includes items 1-6
 D - Includes items 1-8
 E - Not Shown
 F - Includes (2) Cable Ties, (2) Bracket Protectors, and (1) Instruction Sheet.
 G - Item is no longer available from the Invacare Service Parts Department. Refer to the Invacare Website under "Product Literature Search". Enter the part number in the "Keywords" field and download a free PDF version copy.

Back Canes and Spreader Bar Mounting Hardware Before 10/27/04 (14-15" Seat Depths)



**For 12"-20" High Back Canes
with a Threaded Back Cane Insert**



**For 21"-22" High Back Canes
with a Non-Threaded Back Cane Insert**

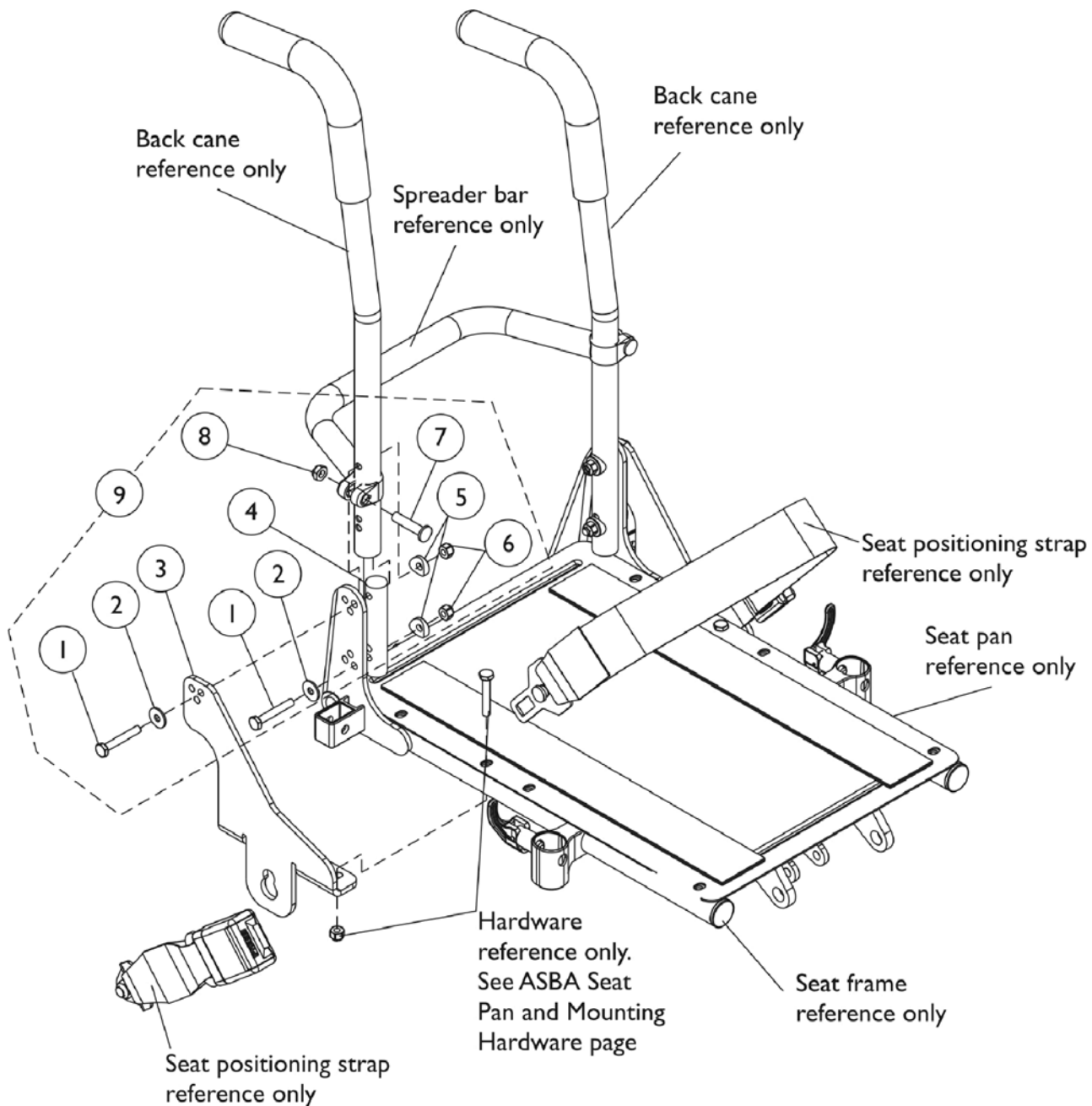
Back Canes and Spreader Bar Mounting Hardware Before 10/27/04 (14-15" Seat Depths)

Item Number	Note	Part Number	Description	Quantity Per	
				Package	Assembly
1	A	1037610	Screw, Hex Head (1/4-20 x 1-5/8")	1	4
2		1026900	Washer (1/4 x 23/32 x 1/16")	1	8
3		1026099	Spacer, Coved (1/4 x 11/16 x 1/2")	1	8
4		1025736	Locknut (1/4-20)	1	8
5		1121897-NLA	NLA - Bracket, Back Cane Mounting, Black - Right (14 - 15" D)	1	1
5		1121898-NLA	NLA - Bracket, Back Cane Mounting, Black - Left (14 - 15" D)	1	1
6	A	1059388	Insert, Non-Threaded Back Cane (For Back Heights 20" and Lower)	1	2
6		1070433-NLA	NLA - Insert, Non-Threaded Back Cane (For Back Heights 21" and Higher)	1	2
7	B	1031026	Screw w/ Lug (5/16-24 x 1-3/8")	1	2
8	B	1025730	Locknut (5/16-24)	1	2
9	C	1122279-NLA	NLA - Kit, Back Mounting Hardware (14-15" Seat Depths with 12-19" Back Heights)	2	1
9	D	1122280-NLA	NLA - Kit, Back Mounting Hardware (14-15" Seat Depths with a 20" Back Height)	2	1
9	D	1122281-NLA	NLA - Kit, Back Mounting Hardware (14-15" Seat Depths with 21-22" Back Heights)	2	1
10		1006525	Tie Wrap (3-29/32" L)	1	2
11		1045270-NLA	NLA - Protector Bracket Assembly	2	1
	E,F	1045271-NLA	NLA - Instruction Sheet, Bracket Protector	1	1

NOTE: A - Prior to 7/9/04 new back mounting hardware must be ordered for 14-15" deep seats that use CJ brackets. The threaded insert was replaced with a non-threaded insert for back heights 20" and lower.
B - Item 7 and 8 used for back heights 20"-22" only
C - Includes items 1-6
D - Includes items 1-8
E - Not Shown
F - Item is no longer available from the Invacare Service Parts Department. Refer to the Invacare Website under "Product Literature Search". Enter the part number in the "Keywords" field and download a free PDF version copy.

Back Canes and Spreader Bar Mounting Hardware

Before 10/27/04 (16" Seat Depth)



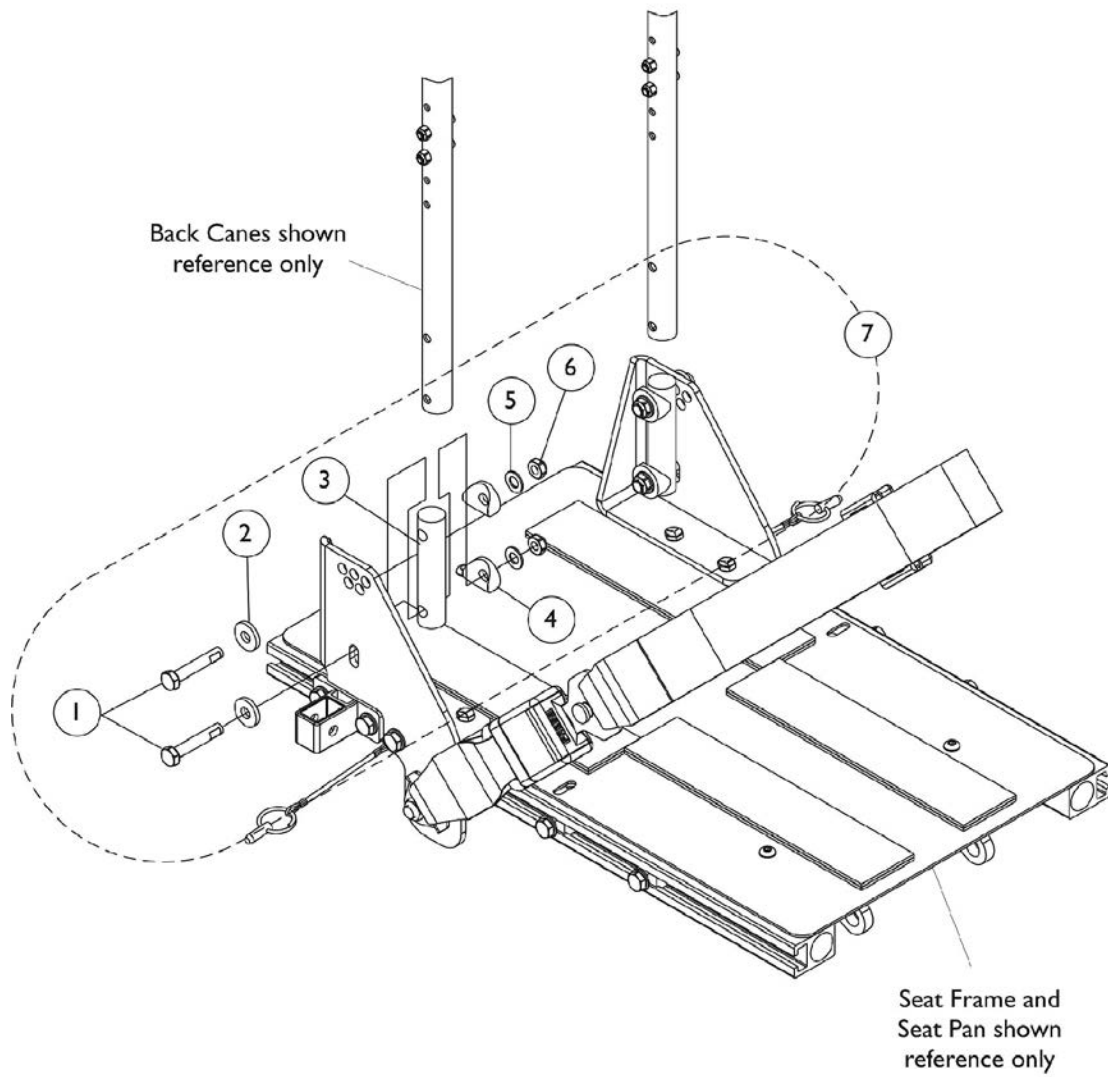
Back Canes and Spreader Bar Mounting Hardware Before 10/27/04 (16" Seat Depth)

Item Number	Note	Part Number	Description	Quantity Per	
				Package	Assembly
1		1037610	Screw, Hex Head (1/4-20 x 1-5/8")	1	4
2		1026900	Washer (1/4 x 23/32 x 1/16")	1	4
3		1121899-NLA	NLA - Bracket, Back Cane Mounting, Black - Right (16" D)	1	1
3		1121900-NLA	NLA - Bracket, Back Cane Mounting, Black - Left (16" D)	1	1
4	A	1059388	Insert, Non-Threaded Back Cane (For Back Heights 20" and Lower)	1	2
4	B	1070433-NLA	NLA - Insert, Non-Threaded Back Cane (For Back Heights 21" and Higher)	1	2
5		1026099	Spacer, Coved (1/4 x 11/16 x 1/2")	1	4
6		1025736	Locknut (1/4-20)	1	4
7	C	1031026	Screw w/ Lug (5/16-24 x 1-3/8")	1	2
8	C	1025730	Locknut (5/16-24)	1	2
9	D	1122282-NLA	NLA - Kit, Back Mounting Hardware (16" Seat Depth with 12-19" Back Heights)	2	1
9	E	1122283-NLA	NLA - Kit, Back Mounting Hardware (16" Seat Depth with a 20" Back Height)	2	1
9	E	1122284-NLA	NLA - Kit, Back Mounting Hardware (16" Seat Depth with 21-22" Back Heights)	2	1

NOTE: A - For 12"-20" back heights
 B - For 21"-22" back heights
 C - Item 7 and 8 used for back heights 20"-22" only
 D - Includes items 1-6
 E - Includes items 1-8

Back Cane Mounting Hardware

After 10/26/04 (All Depths)

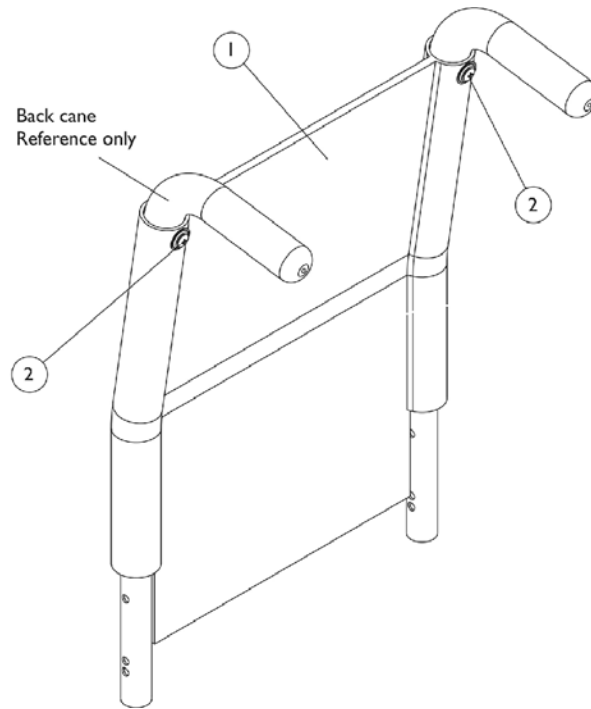


Back Cane Mounting Hardware After 10/26/04 (All Depths)

Item Number	Note	Part Number	Description	Quantity Per	
				Package	Assembly
7	A	1126146-NLA	Kit, Back Cane Attaching Hardware	1	1
1			NLA - Screw, Hex Head w/ Patch (5/16-18 x 1-3/4")	1	4
2			Washer, Flat (21/64 x 53/64 x 7/64")	1	4
3			NLA - Insert, Back Cane	1	2
4			Spacer, Coved (3/4 x 1 x 1/2")	1	4
5			Washer, Flat (5/16 x 5/8 x 1/16")	1	4
6			Locknut (5/16-18)	1	4

NOTE: A - Includes items 1-6

Back Upholstery - Black Nylon



#1 Back Upholstery - Black Nylon

Back Height	12" Wide	13" Wide	14" Wide	15" Wide	16" Wide
12"-13" High	1045221-NLA	1045223-NLA	1049939-NLA	1049940-NLA	1049941-NLA
14"-15" High	1045222-NLA	1045224-NLA	1049942	1049943-NLA	1049944
16"-17" High	1045257-NLA	1045259-NLA	1045173	1045174	1045175
18"-19" High	1045258-NLA	1045260-NLA	1045205	1045206	1045207
20" High	N/A	N/A	1068945	1068946	1068947
21"-22" High	N/A	N/A	1045157	1045158	1045159

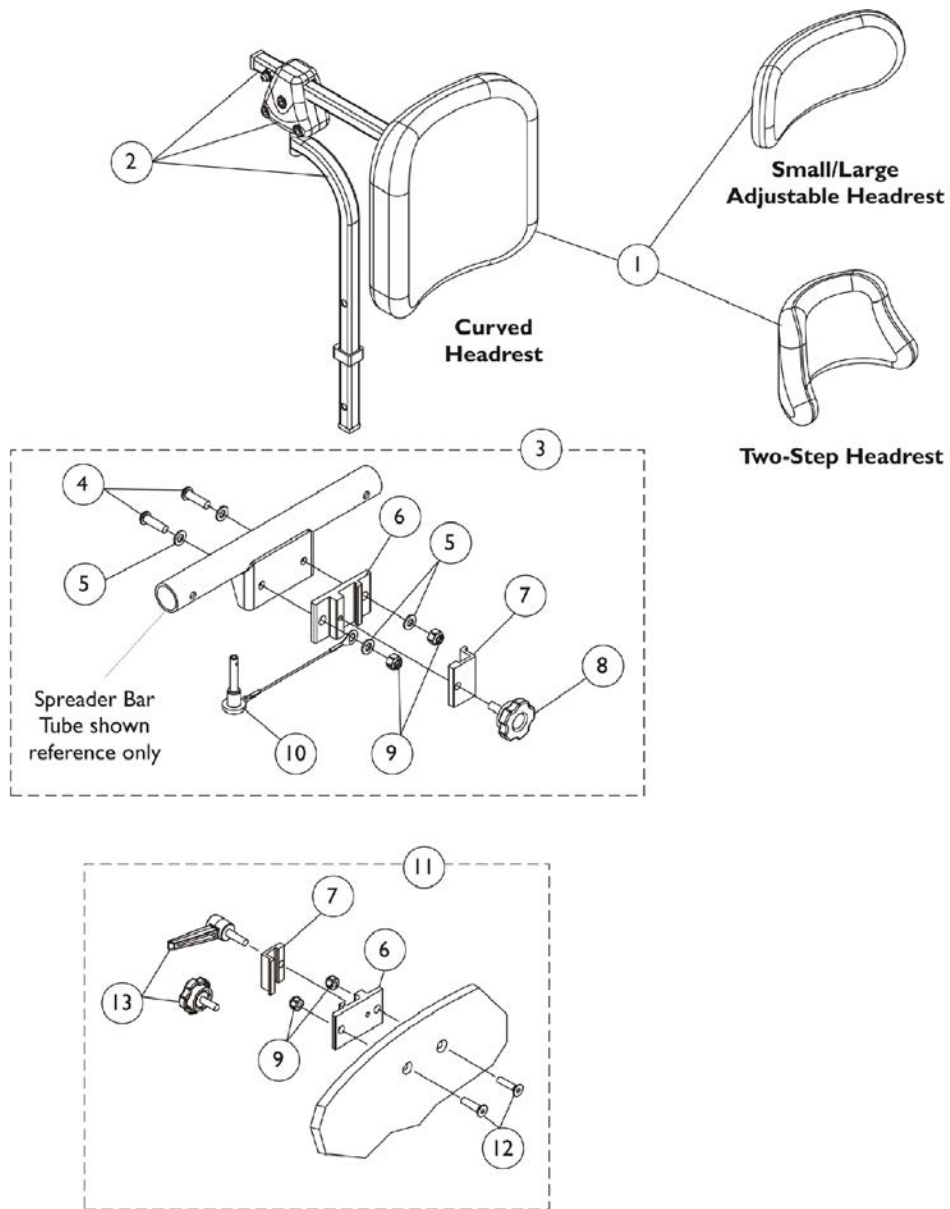
Back Upholstery - Black Nylon

Back Upholstery Attaching Hardware

Item Number	Note	Part Number	Description	Quantity Per	
				Package	Assembly
1		See Chart	#1 Back Upholstery - Black Nylon	1	1
2	A	1029850	Hardware, Back Upholstery	2	1

NOTE: A - Includes - Screws with Washers (#10 x 7/8") (2 ea.) and Cable Ties (2 ea.)

Headrest and Attaching Hardware

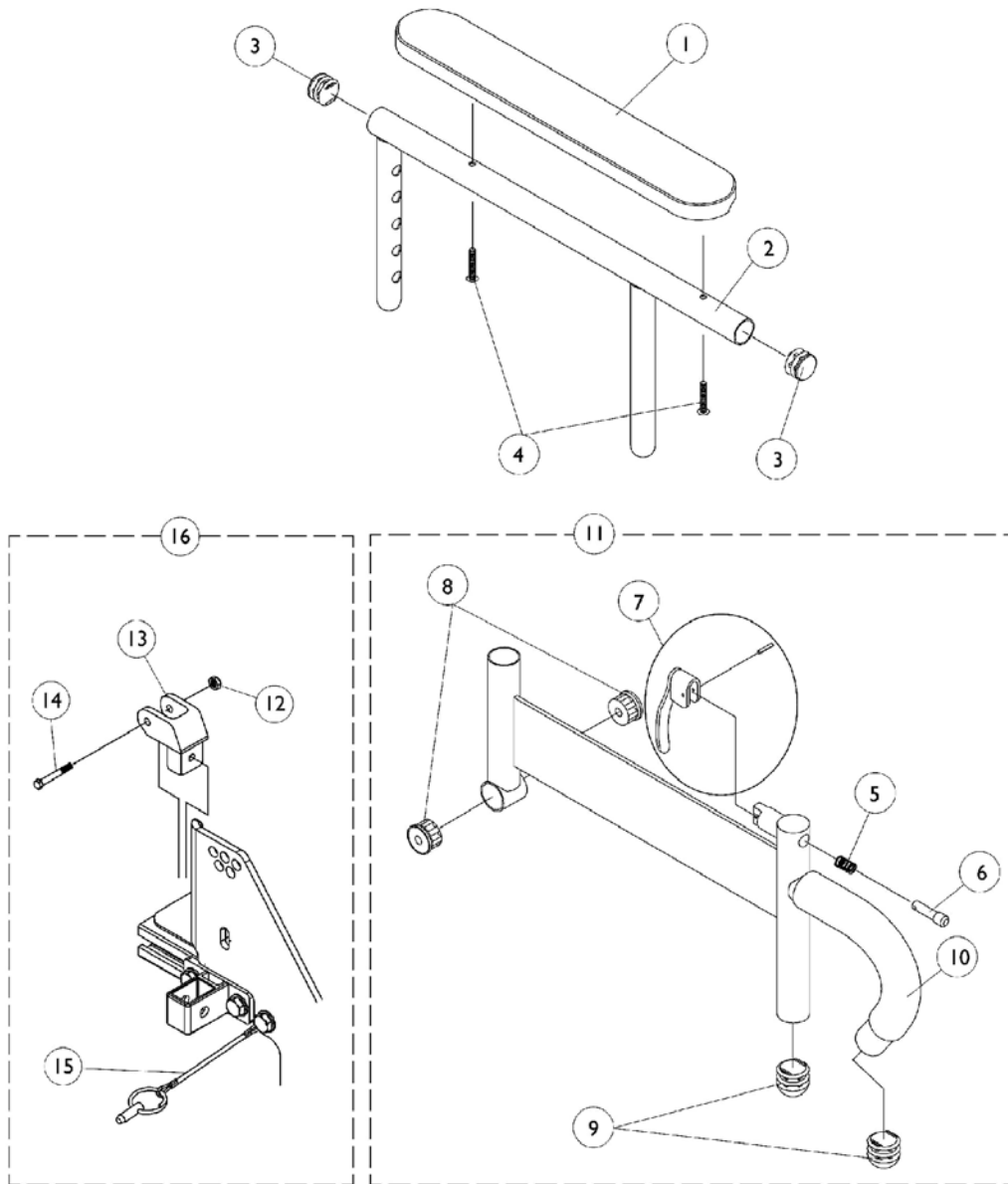


Headrest and Attaching Hardware

Item Number	Note	Part Number	Description	Quantity Per	
				Package	Assembly
1		0127700	Headrest, Curved (6" W x 7" H)	1	1
1		0022600	Kit, Headrest w/ Screws, Adjustable, Small, Otto Bock (9" W x 3-1/2" H)	1	1
1		0022400	Kit, Headrest w/ Screws, Adjustable, Large, Otto Bock (12" W x 6" H)	1	1
1		0128000-NLA	NLA - Headrest, Two-Step (8-1/2" W x 5-1/2" H)	1	1
2		1128754-NLA	NLA - Headrest Bracket Assembly, Offset	1	1
3	A	1127973	Kit, Headrest Clamp Hardware	1	1
4		1028410-NLA	NLA - Screw, Socket Button Head (1/4-20 x 7/8")	1	2
5		1026907	Washer (1/4 x 1/2 x 1/16")	1	4
6	B	0237422-NLA	NLA - Clamp, Small Bottom Half	1	1
7	B	0237522-NLA	NLA - Clamp, Small Top Half	1	1
8		1072440	Knob, Adjustment, Black (1/2" L Threads)	1	1
9		1025736	Locknut (1/4-20)	1	2
10		1128725-NLA	NLA - Pin, Quick Release with Lanyard	1	1
11	C	0273100	Kit, Headrest Clamp, Lever Style	1	1
12		0288706-NLA	NLA - Screw, Socket, Flat Head (1/4-20 x 1")	1	2
13		1072439-NLA	NLA - Knob, Adjustment, Black (3/4" L Threads)	1	1

NOTE: A - Includes items 4-10
 B - Clamp is no longer available individually. See Headrest Clamp Mounting Hardware item 3 or 11 depending on Back Style.
 C - Includes items 6, 7, 9 and 12-13. Item 13 Adjustment Knob was replaced with an Adjustment Lever. The Lever is not available as a separate part. The knob Part # 1072439 is still sold separately and is interchangeable with the Lever.

Arms, Adjustable Height

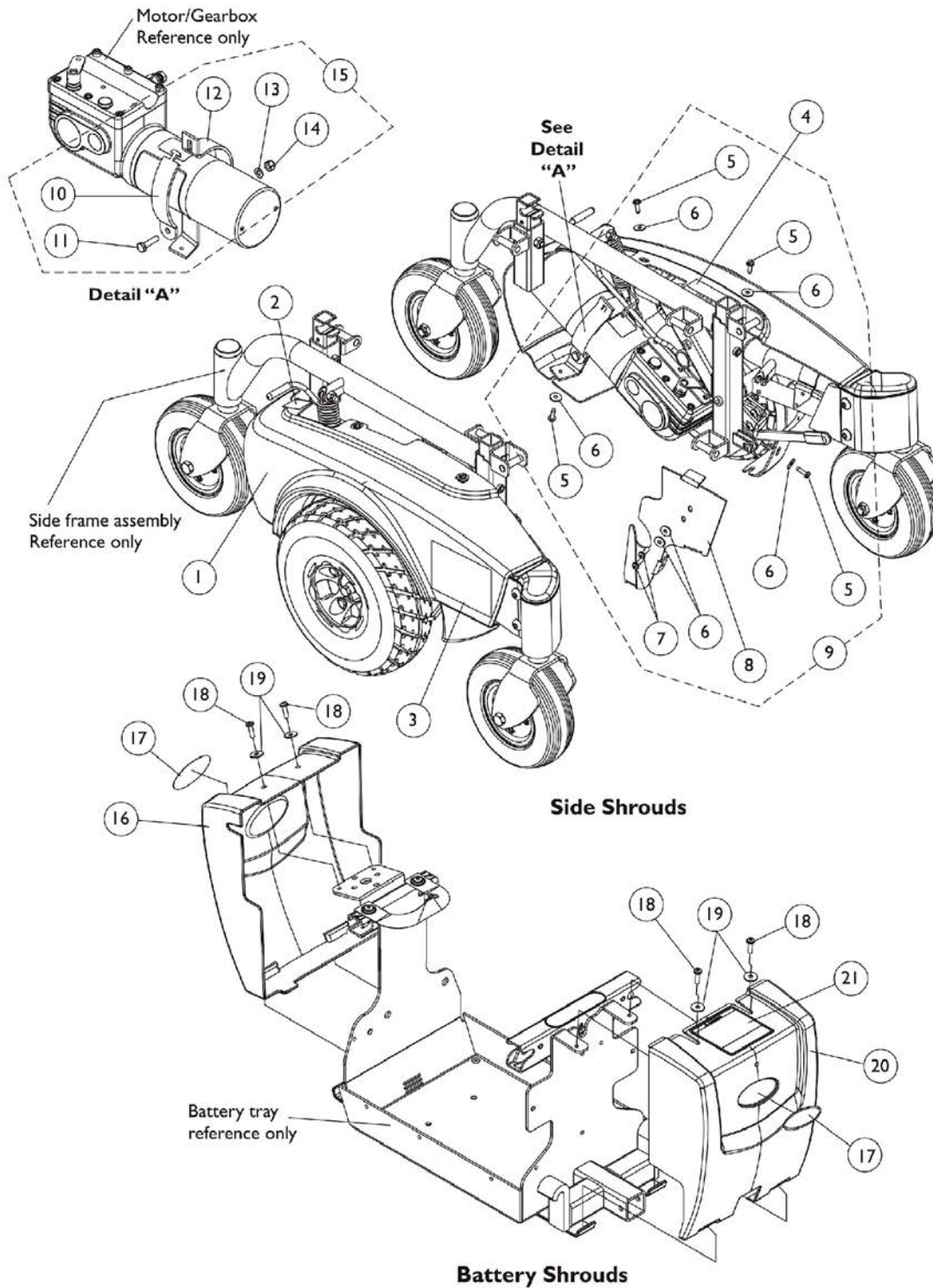


Arms, Adjustable Height

Item Number	Note	Part Number	Description	Quantity Per	
				Package	Assembly
1	A	8881015932-NL A	NLA - Pad, Arm, Vinyl, Full Length - Right (14" L x 2" W)	1	1
1	A	8881015933-NL A	NLA - Pad, Arm, Vinyl, Full Length - Left (14" L x 2" W)	1	1
1	A	8881053577	Kit, Arm Pad w/ Screws, Full Length (14" L x 2" W) (Pair)	2	1
1	A	8881011811-NL A	NLA - Pad, Arm, Vinyl, Desk Length (9" L x 2" W)	1	1
1	A	8881053578	Kit, Arm Pad w/ Screws, Desk Length (9" L x 2" W) (Pair)	2	1
2		1071263	Arm Tube Assembly w/ Plug Buttons, Full Length, Black - Right/Left	1	1
2		1071259	Arm Tube Assembly w/ Plug Buttons, Desk Length, Black - Right/Left	1	1
3		1027095	Plug Button, Black (7/8")	1	2
4		1055949	Package, Screw, Phillips Pan Head (#10-32 x 1-3/8")	2	1
5		47471X074	Spring, Arm Lock	1	1
6		1028594	Pin, Arm Lock, Black	1	1
7		1090768	Kit, Lock Handle w/Rivets (Pair)	2	1
8		1065936	Plug, Pivot	1	2
9		1067734	Plug Button, Black (5/8")	1	2
10		1016298	Grip, Push Handle	1	1
11		1068585	Arm Base Assembly, Adjustable Height, Black - Right	1	1
11		1068586	Arm Base Assembly, Adjustable Height, Black - Left	1	1
12		1025195	Locknut (1/4-20)	1	1
13		1068025	Clevis, Pivot	1	1
14		1019590	Screw, Socket Button Head (1/4-20 x 1-5/8")	1	1
15		1068039	Pin, Pull	1	1
16		1068488	Kit, Swingaway Armrest Mounting Hardware	1	1

NOTE: A - Specify upholstery color U67 Black when ordering.

Shrouds and Mounting Hardware



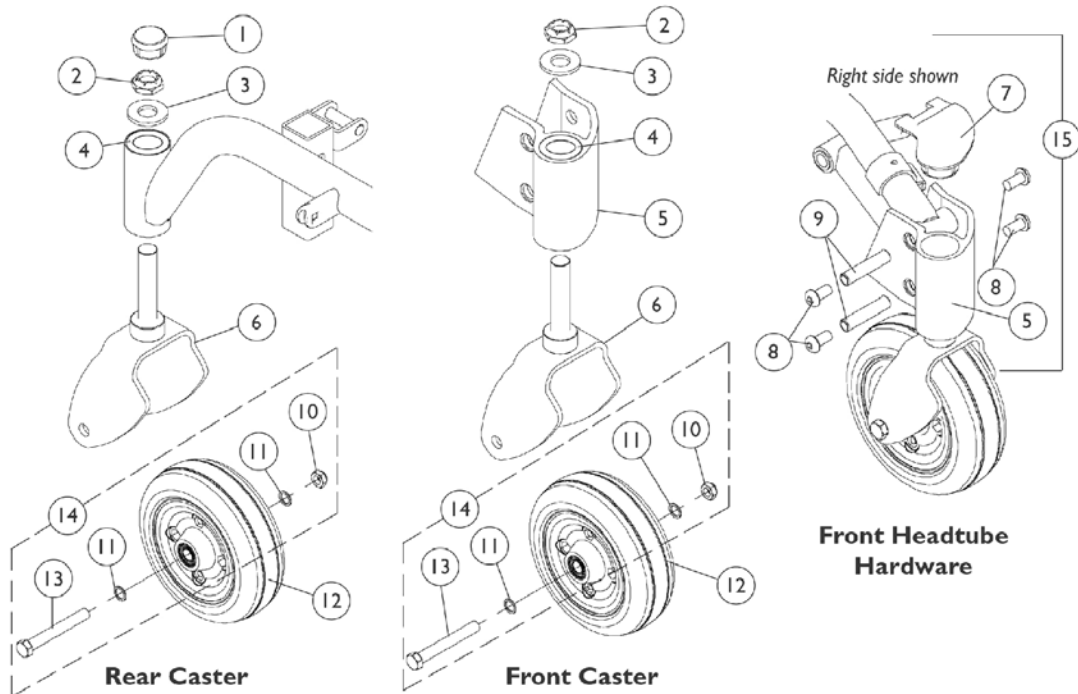
Shrouds and Mounting Hardware

Item Number	Note	Part Number	Description	Quantity Per	
				Package	Assembly
1		See Chart	#1 Side Shrouds with Decals	1	1
2		1104797	Decal, Drive/Push	1	2
3		1121907-NLA	NLA - Decal, Shroud - Pronto M71 Jr.	1	2
4		1120033-NLA	NLA - Decal, Warning	1	1
5		1025451	Screw, Slotted Hex Washer Head (#10-32 x 5/8")	1	8
6		1070587	Washer, Flat (3/16 x 5/8 x 1/16")	1	12
7		1028755	Screw, Phillips Pan Head (#10-32 x 5/8")	1	4
8		1122958-NLA	NLA - Plate, Shroud - Right	1	1
8		1122959-NLA	NLA - Plate, Shroud - Left	1	1
9	A	1122269-NLA	NLA - Kit, Side Shroud Hardware	2	1
10		1109035-NLA	NLA - Clamp, Shroud	1	1
11		1025713-NLA	NLA - Screw, Hex Head (1/4-20 x 1")	1	1
12		1109036-NLA	NLA - Bracket, Clamp Shroud Mounting, Black - Right	1	1
12		1109037-NLA	NLA - Bracket, Clamp Shroud Mounting, Black - Left	1	1
13		1026907	Washer (1/4 x 1/2 x 1/16")	1	1
14		1025713-NLA	NLA - Screw, Hex Head (1/4-20 x 1")	1	1
15	B	1108464-NLA	NLA - Kit, Shroud Clamp Hardware - Right	1	1
15	B	1108465-NLA	NLA - Kit, Shroud Clamp Hardware - Left	1	1
16		1123240-NLA	NLA - Battery Shroud w/ Decal, Black - Rear	1	1
17		1095489	Decal, Invacare 3-D Logo (2-1/2" L)	1	2
18		1028755	Screw, Phillips Pan Head (#10-32 x 5/8")	1	4
19		1070587	Washer, Flat (3/16 x 5/8 x 1/16")	1	4
20		1123238-NLA	NLA - Battery Shroud with Decals, Black - Front	1	1
21		1118381-NLA	NLA - Label, Warning Battery Terminal	1	1
NOTE: A - Includes items 5-8 B - Includes items 10-14					

#1 Side Shrouds with Decals

Side	Magic Black	Deep Blue Pearl	Candy Red Pearl
Right	1122272-NLA	1122274-NLA	1122270-NLA
Left	1122273-NLA	1122275-NLA	See Note See Note(s) A
NOTE: A - No longer available as a service part.			

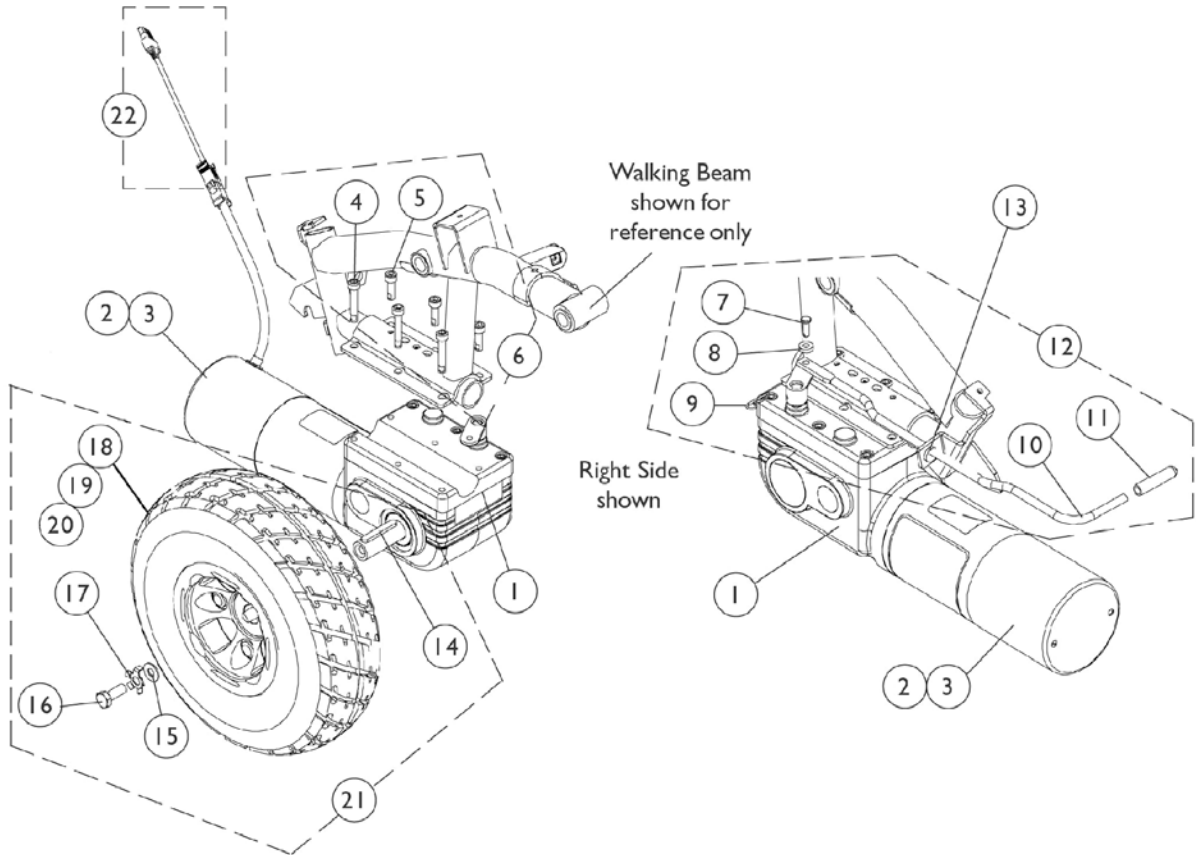
Casters, Forks, and Hardware



Item Number	Note	Part Number	Description	Quantity Per	
				Package	Assembly
1		1105026	Plug Button, Head Tube, Black	1	1
2		1028550	Locknut (5/8-18)	1	1
3		1041444	Washer, Nylon (5/8 x 1-5/16 x 1/8")	1	1
4		40117X006	Bearing (5/8")	1	2
5		1109014-NLA	NLA - Headtube, Caster, Black - Right	1	1
5		1109015-NLA	NLA - Headtube, Caster, Black - Left	1	1
6		1106355	Fork and Stem Assembly	1	1
7		1105024	Cap, Front Head Tube, Black - Right	1	1
7		1105025	Cap, Front Head Tube, Black - Left	1	1
8		1109222	Screw, Socket Button Head Cap (3/8-24 x 3/4")	1	4
9		1106511	Bushing (3/8 x 1/2 x 2-1/8")	1	2
10		1025734	Locknut (7/16-20)	1	1
11		1025724	Washer, Steel (15/32 x 5/8 x 3/64")	1	2
12		1115179	Wheel Assembly, Semi-Pneumatic, Urethane, Deep Profile, Grey Tire/Black Hub (6" x 2")	1	1
12		1122066	Wheel Assembly, Semi-Pneumatic, Urethane, Deep Profile, Grey Tire/Black Hub (6" x 2") (Pair)	2	1
13		1025726	Screw, Hex Head (7/16-20 x 3-1/4")	1	1
14	B	1042489	Hardware, Caster Axle	1	2
15	A	1109016-NLA	NLA - Head Tube, Caster with Hardware - Right	1	1
15	A	1109017	Head Tube, Caster with Hardware - Left	1	1

NOTE: A - Includes items 5, 7-9
 B - Includes items 10, 11, and 13 to accommodate 1 side only.

Motor, Gearbox, and Drive Wheel



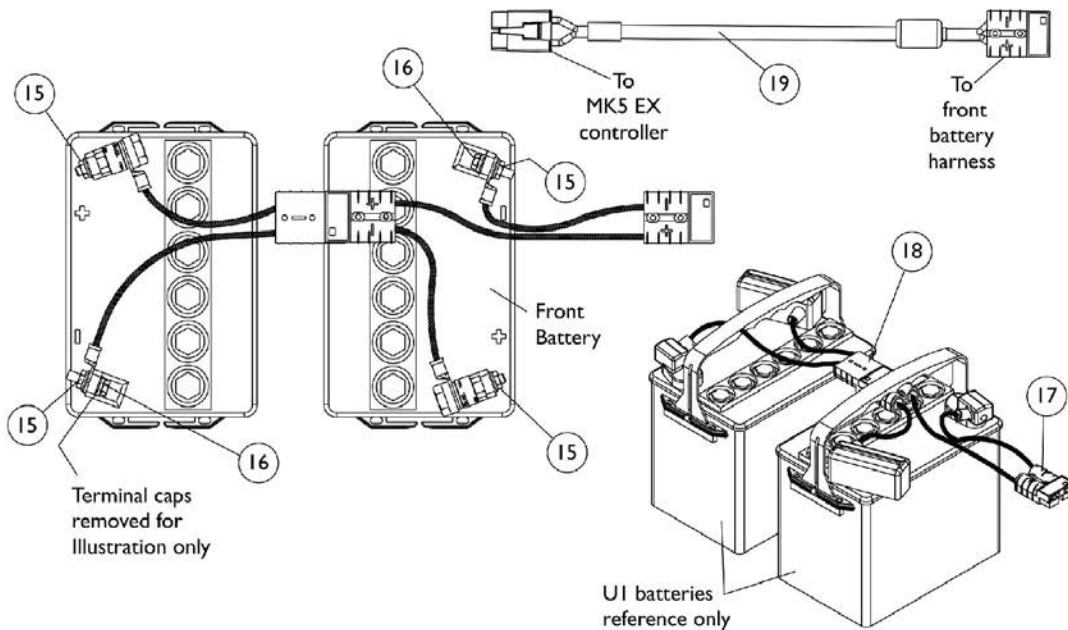
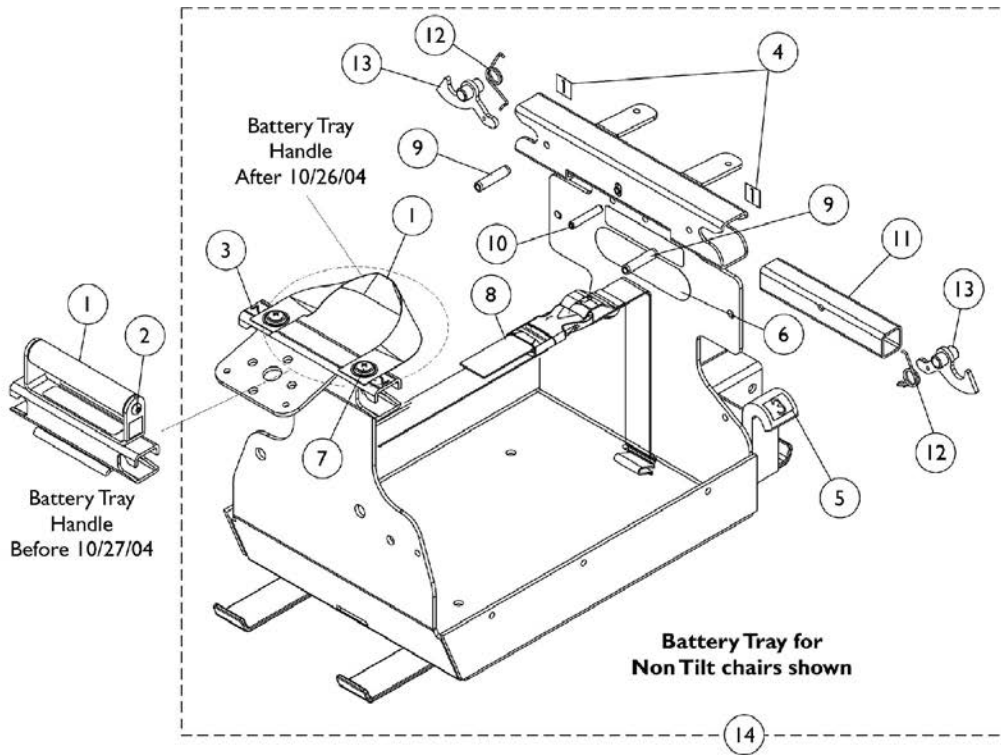
Motor, Gearbox, and Drive Wheel

Item Number	Note	Part Number	Description	Quantity Per	
				Package	Assembly
1	A	1116395	Motor with Gearbox and Cable Extension - Right	1	1
1	A	1116396	Motor with Gearbox and Cable Extension - Left	1	1
1	E	1123954-NLA	NLA - Motor, High Speed w/ Gearbox and Cable Extension - Right	1	1
1	E	1123954E-NLA	NLA - WARR RPLMT - Motor, High Speed w/ Gearbox and Cable Extension - Right	1	1
1	E	1123955-NLA	NLA - Motor, High Speed w/ Gearbox and Cable Extension - Left	1	1
1	E	1123955E-NLA	NLA - WARR RPLMT - Motor, High Speed w/ Gearbox and Cable Extension - Left	1	1
2		1038361-NLA	NLA - Kit, Motor/Brake Covers with Screws	2	1
3		1123528-NLA	NLA - Kit, Motor Brush - Internal (Large)	2	1
6	B	1108562-NLA	NLA - Kit, Motor Mounting Hardware	1	1
4			NLA - Screw, Socket w/ Patch (M6 x 1 x 35mm)	1	3
5			Screw, Socket w/ Patch (M6 x 1 x 20mm)	1	3
7		1112249-NLA	NLA - Pin, Clevis, Black (1/4 x 37/64")	1	1
8		1026034-NLA	NLA - Washer, Nylon (3/16 x 7/16 x 1/8")	1	1
9		1115715-NLA	NLA - Pin, Bridge	1	1
10		1112251-NLA	NLA - Lever, Motor Release	1	1
11		1040060	Tip, Plastic, Black	1	1
12	C	1121978-NLA	NLA - Kit, Motor Lever and Mounting Hardware	1	1
13		1071562-NLA	NLA - Bushing, Snap	1	1
21	D,G	1102338	Kit, Drive Wheel with Mounting Hardware - Pneumatic (10" x 3")	1	1
14			Key (6mm x 6mm x 40mm)	1	1
15			Washer, Flat (21/64 x 53/64 x 7/64")	1	1
16			Screw (M8 x 1.25 x 20mm)	1	1
17			Kit, Locking Tab Washer w/ Instruction Sheet (Pair)	2	1
20			NLA - Wheel Assembly, Drive w/ Bearings, Pneumatic (10" x 3")	1	1
18		1109005	Tire, Pneumatic, Grey (10" x 3")	1	1
19		1109028-NLA	NLA - Tube, Inner (10 x 3")	1	1
21	D,H	1102339	Kit, Drive Wheel with Mounting Hardware - Flat Free (10 x 3")	1	1
14			Key (6mm x 6mm x 40mm)	1	1
15			Washer, Flat (21/64 x 53/64 x 7/64")	1	1
16			Screw (M8 x 1.25 x 20mm)	1	1
17			Kit, Locking Tab Washer w/ Instruction Sheet (Pair)	1	1
20			Drive Wheel Assembly, Flat Free Foam, Grey Tire/Black Rim (10" x 3")	1	1
18		1102342	Tire w/ Foam Fill Insert, Grey (10" x 3")	1	1
22	F	1143143-NLA	NLA - Harness, Motor Cable Extension	1	1

Motor, Gearbox, and Drive Wheel

NOTE: A - Chairs built Before 5/17/04. Includes item 22.
B - Includes items 4 and 5.
C - Includes items 7-11.
D - Includes items 14-17, 20.
E - Chairs built After 5/16/04. Includes item 22.
F - As of 5/15/06, harness part no. 1143143 replaced part nos. 1116389 & 1116390. The new harness is not Right/Left dependent and can be used for either side.
G - Part #1105042 Drive Wheel Assembly will already include the Pneumatic Tire and Inner Tube. Part #1105042 is sold in kit assembly part #1102338 only.
H - Part #1105043 Drive Wheel Assembly will already include the Tire w/ Foam Fill Insert.

Battery Tray and Battery Harness Assemblies

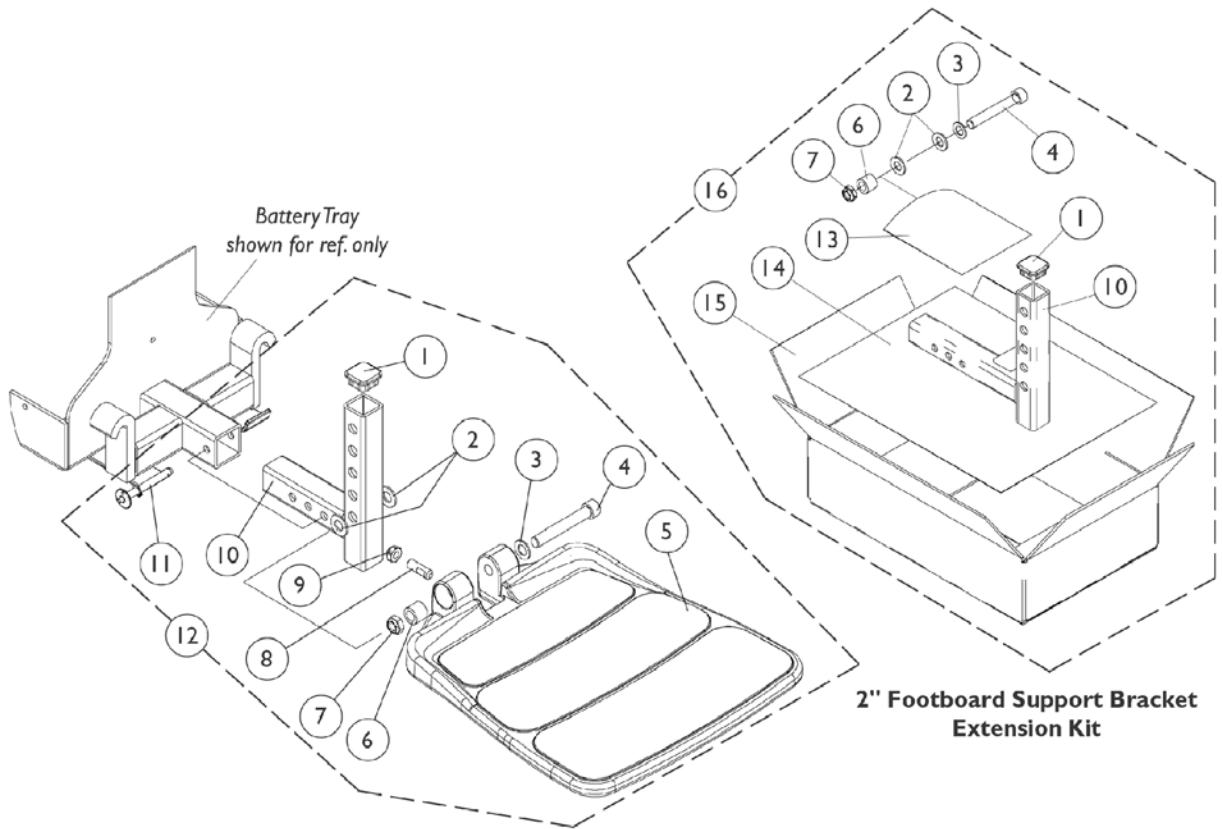


Battery Tray and Battery Harness Assemblies

Item Number	Note	Part Number	Description	Quantity Per	
				Package	Assembly
1	A,C	1108462-NLA	NLA - Handle, Battery Tray with Black Nylon Rod	1	1
1	B,C	1126108	Handle, Battery Tray with Black Webbing	1	1
2	A	1025354-NLA	NLA - Screw, Socket Button Head (#10-32 x 3/8")	1	2
3		1109200-NLA	NLA - Label Marker (2)	1	2
4		1109199-NLA	NLA - Label Marker (1)	1	2
5		1109201-NLA	NLA - Label Marker (3)	1	2
6		1035900	Decal, Transportation	1	1
7		1076284	Screw w/ Washer (#10 x 7/8")	1	2
8		1080872-NLA	NLA - Strap and Buckle Assembly	1	1
9		1108239-NLA	NLA - Pin, Slotted (1/4 x 1-1/8")	1	2
10		1109221-NLA	NLA - Pin, Roll (3/16 x 1-1/8")	1	1
11		1108063 -NLA	NLA - Handle, Release, Black	1	1
12		1106482-NLA	NLA - Spring, Latch Release	1	2
13		1106353-NLA	NLA - Latch, Black	1	2
14	D	1123140-NLA	NLA - Battery Tray Assembly with Labels	1	1
14	F	1127157	NLA - Battery Tray Assembly	1	1
15		16721X000	Locknut (1/4-20)	1	4
16		1102337-NLA	NLA - Screw, Hex Flange Whiz Lock(1/4-20 x 5/8")	1	2
17	E	1122212-NLA	NLA - Harness, Battery - Front	1	1
18	E	1122211-NLA	NLA - Harness, Battery - Rear	1	1
19	G	1122199	Cable, Battery Extension, Red Connector	1	1

NOTE: A - Chairs built Before 10/27/04.
 B - Chairs built After 10/26/04.
 C - Effective 10/27/04, Battery Tray Handle has changed from a black nylon rod to a black webbing strap. Strap not used on tilting chairs.
 D - Non Tilt chairs only. Includes items 1, 3-13. Effective 10/27/04, Battery Tray Assembly now has black webbing for a handle. Use this assembly regardless when chair was built.
 E - Individual components are not available for the battery harnesses
 F - Tilt chairs only. Battery Tray for tilt chairs does not require strap or labels. Includes Tray plus items 6, 8-13.
 G - Both MK5 & MK6i use this Battery Extension Cable.

90FB Footboard Assembly



90FB Footboard Assembly

Item Number	Note	Part Number	Description	Quantity Per	
				Package	Assembly
12	A,B,D, E	1105027-NLA	NLA - Footboard Assembly	1	1
1			Plug Button, Black (1" Square)	1	1
2			Washer, Nylon (3/8 x 3/4 x 1/16")	1	2
3			Washer, Flat (3/8 x 11/16 x 1/16")	1	1
4			Screw, Socket Head (3/8-16 x 2-1/2")	1	1
5			NLA - Footboard with Cover	1	1
6			Bushing (3/8 x 5/8 x 1/2")	1	1
7			Locknut, Low Profile (3/8-16)	1	1
8			Screw, Set Socket Flat Point (5/16-18 x 1")	1	1
9			Locknut (5/16-18)	1	1
10			Bracket, Footboard Support, Black	1	1
11	Pin, Quick Release	1	1		
13	C,D	1300010-NLA	NLA - Bag, Zip-Lip (4" L x 4" W)	1	1
14		1114833-NLA	NLA - Instruction Sheet, 2" Footboard Extension	1	1
15		40131X044	Carton, Shipper	1	1
16		1115378	Kit, 2" Footboard Extension	1	1
1		Plug Button, Black (1" Square)	1	1	
2		Washer, Nylon (3/8 x 3/4 x 1/16")	1	2	
3		Washer, Flat (3/8 x 11/16 x 1/16")	1	1	
4		Screw, Socket Head (3/8-16 x 2-1/2")	1	1	
6		Bushing (3/8 x 5/8 x 1/2")	1	1	
7		Locknut, Low Profile (3/8-16)	1	1	
10		Bracket, Footboard Support, Black (2" Extension)	1	1	
13		NLA - Bag, Zip-Lip (4" L x 4" W)	1	1	
14		NLA - Instruction Sheet, 2" Footboard Extension	1	1	
15		Carton, Shipper	1	1	

NOTE: A - Includes items 1-11
 B - When ordering a footboard assembly for the first time that requires a 2" extension kit, items 5, 8, 9, 11 and 16 must be ordered
 C - Includes items 1-4, 6, 7, 10 and 13-15
 D - Part number 1114833 is no longer available from the Invacare Service Parts Department. Refer to the Invacare Website under "Product Literature Search". Enter the part number in the "Keywords" field and download a free PDF version copy.
 E - Part #1105027 is No Longer Available and a replacement is currently not available.

Front Rigging Reference Chart

Support Assemblies For PHW93, PH93M2 and PHAL4A

Front Rigging	Black Right	Black Left	Chrome Right	Chrome Left
PHW93	1114755	1114756	N/A	N/A
PH93M2	1122964-NLA	1122965-NLA	N/A	N/A
PHAL4A	N/A	N/A	1031437-NLA	1031438-NLA

Pivot/ Slide Tubes with Footplates For PHW93

Chair Width	Aluminum (1650)	Adjustable Angle (AT5543)
12"-13" Wide Right	1123070-NLA	1060442
12"-13" Wide Left	1123071-NLA	1060443
14"-15" Wide Right	1123072-NLA	1060444
14"-15" Wide Left	1123073-NLA	1060445
16" Wide Right	1074149	1062756
16" Wide Left	1074150	1062757

NOTE: Pivot/ Slide Tube Mounting Hardware is Not Included. See PHW93 Support Assembly page.

Front Rigging Reference Chart

Pivot/ Slide Tubes with Footplates For PH93M2

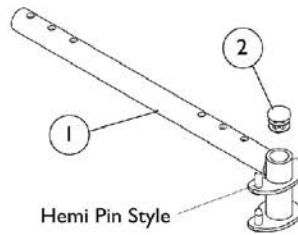
Chair Width	Aluminum (1650)	Adjustable Angle (AT5543)
12"-13" Wide Right	1123074-NLA	1060430
12"-13" Wide Left	1123075-NLA	1060431
14"-15" Wide Right	1123076-NLA	1060432
14"-15" Wide Left	1123077-NLA	1060433
16" Wide Right	1057969-NLA	1062572
16" Wide Left	1057970-NLA	1062573

Pivot/ Slide Tubes with Footplates For PHAL4A

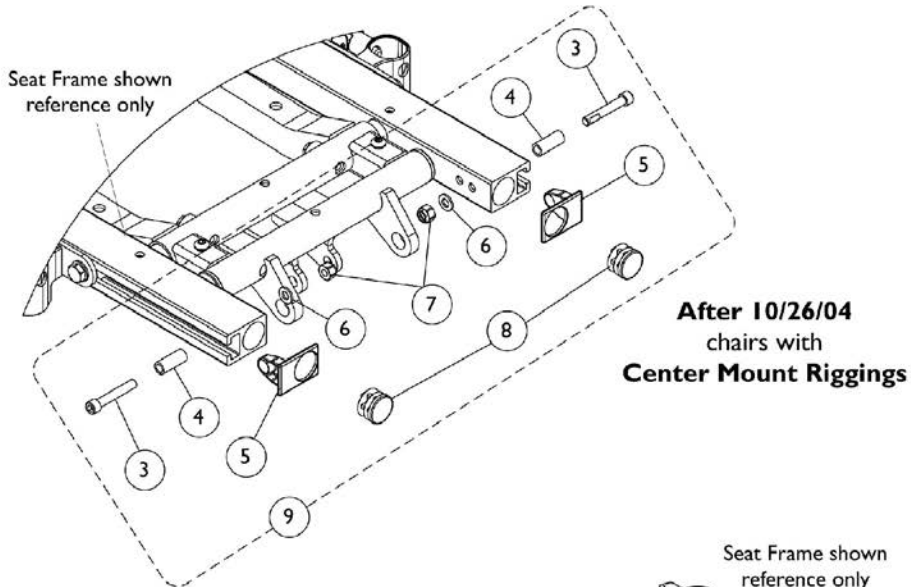
Chair Width	Aluminum (1650)	Adjustable Angle (AT5543)
14"-15" Wide Right	1023905-NLA	1091775-NLA
14"-15" Wide Left	1023906-NLA	1091776-NLA
16" Wide Right	1023907	1091777-NLA
16" Wide Left	1023908	1091778-NLA

Front Rigging Hangers and Hardware

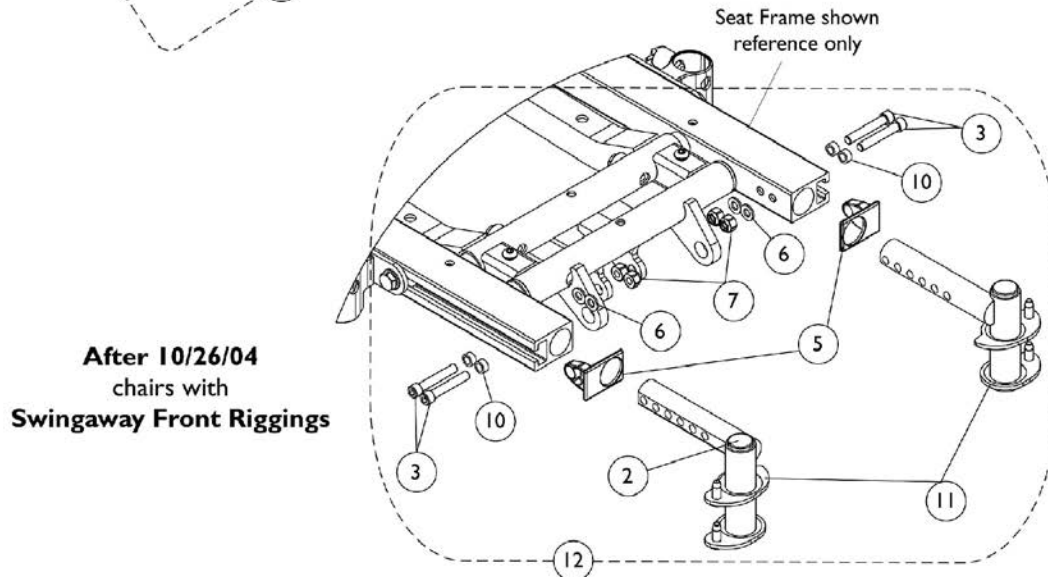
Note: Front rigging hangers and seat pan share the same mounting hardware. See Seat Pan and Mounting Hardware (Before 10/27/04) category.



Before 10/27/04



After 10/26/04
chairs with
Center Mount Riggings



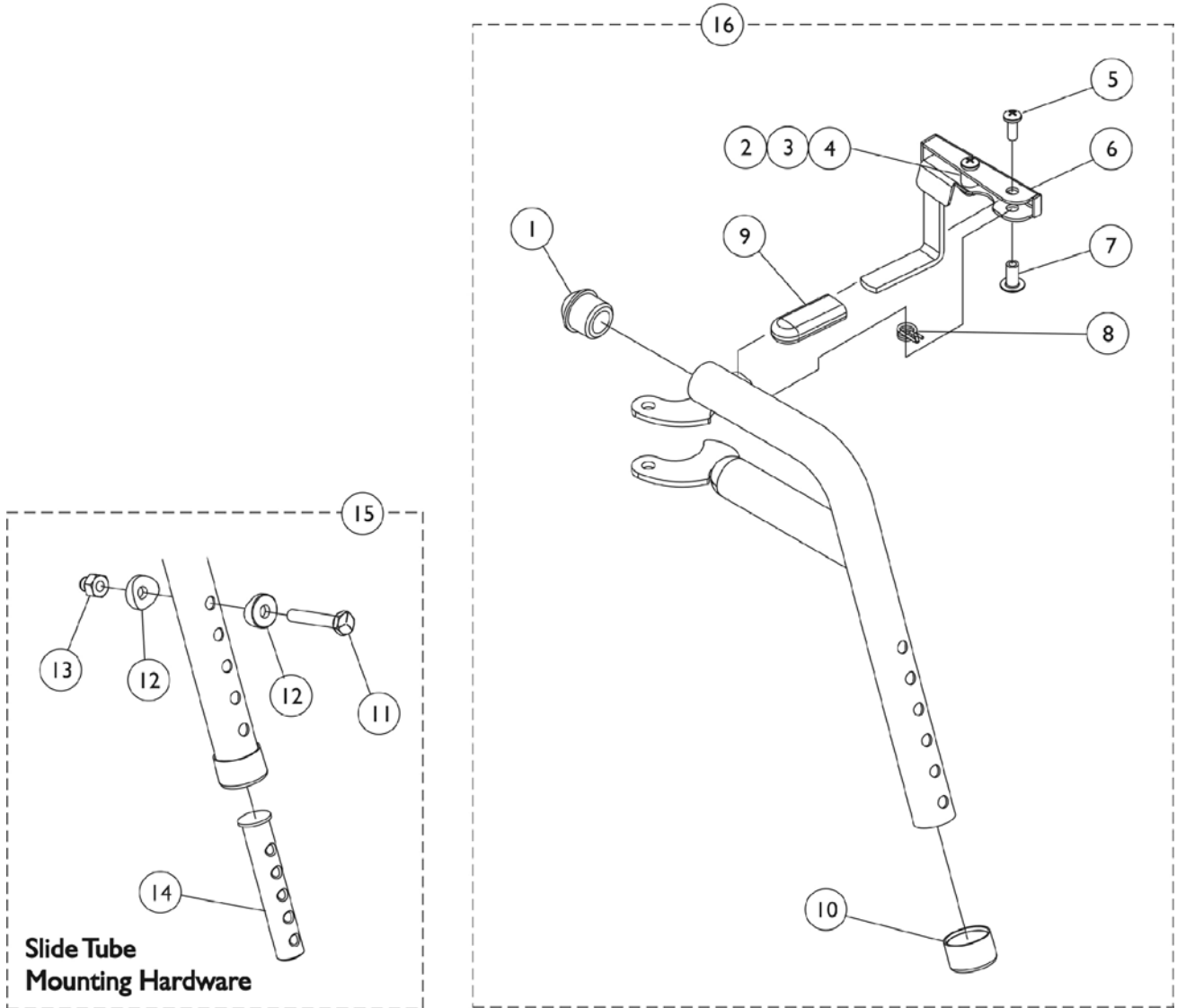
After 10/26/04
chairs with
Swingaway Front Riggings

Front Rigging Hangers and Hardware

Item Number	Note	Part Number	Description	Quantity Per	
				Package	Assembly
1	A	1114766	Front Rigging Hanger Assembly w/ Plug Button, Pin Style, Hemi, Black - Right (12 - 21" D)	1	1
1	A	1114767	Front Rigging Hanger Assembly w/ Plug Button, Pin Style, Hemi, Black - Left (12 - 21" D)	1	1
9	B	1126150	Kit, Side Rail Cap Hardware	2	1
3			Screw, Socket Head Cap w/ Patch (1/4-20 x 1-1/2")	1	2
4			Spacer (1/4 x 3/8 x 29/32")	1	2
5			Cap, End, Side Rail, Black	1	2
6			Washer (1/4 x 1/2 x 1/16")	1	2
7			Locknut (1/4-20)	1	2
8			Plug Button, Black (7/8")	1	2
12			C	1126149-NLA	NLA - Kit, Front Rigging Hangers with Hardware
2	Plug Button, Black (3/4")	1			2
3	Screw, Socket Head Cap w/ Patch (1/4-20 x 1-1/2")	1			4
5	Cap, End, Side Rail, Black	1			2
6	Washer (1/4 x 1/2 x 1/16")	1			4
7	Locknut (1/4-20)	1			4
10	NLA - Spacer (1/4 x 3/8 x 3/16")	1			4
11	Front Rigging Hanger Assembly w/ Plug Button, Pin Style, Hemi, Black - Right	1			1
11	Front Rigging Hanger Assembly w/ Plug Button, Pin Style, Hemi, Black - Left	1			1
2	1134426	Package, Plug Button, Black (3/4")			10
8	1130582	Package, Plug Button, Black (7/8")	10	1	

NOTE: A - Includes item 2 Plug Button
 B - Includes items 3-8
 C - Includes items 2, 3, 5-7, 10 and 11

PHW93 (Hemi) Footrest Supports

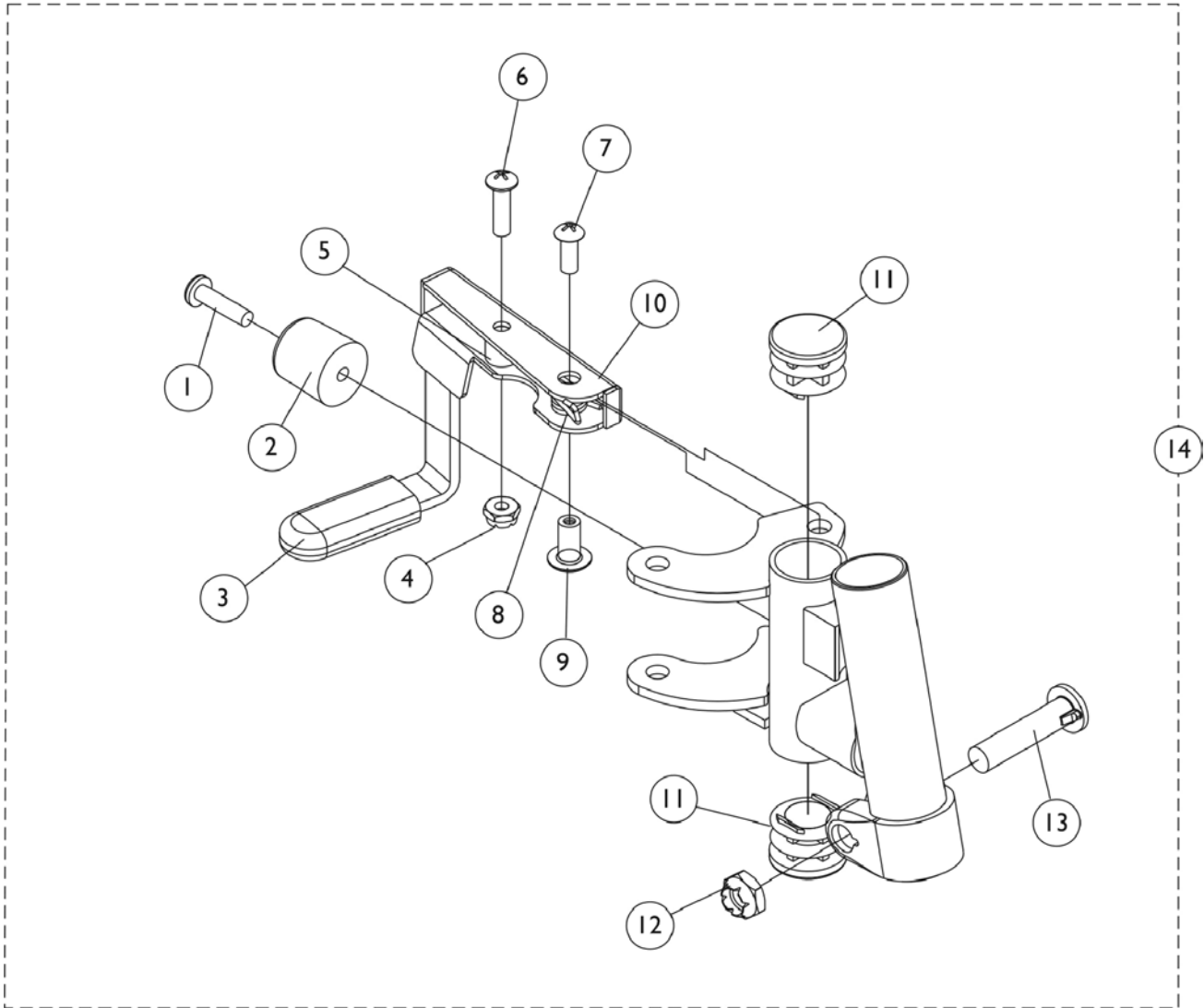


PHW93 (Hemi) Footrest Supports

Item Number	Note	Part Number	Description	Quantity Per	
				Package	Assembly
1		1020719	Anti-Rattle, Black	1	1
2		1025716	Screw, Phillips Pan Head (#10-32 x 11/16")	1	1
3		47565X057	Bushing (7/32 x 3/8 x 11/32")	1	1
4		1025735	Locknut (#10-32)	1	1
5		1026114	Screw, Phillips Pan Head (#10-32 x 1/2")	1	1
6	A	1114749-NLA	NLA - Handle, Release, Black - Right	1	1
6	A	1114750-NLA	NLA - Handle, Release, Black - Left	1	1
7		1028846-NLA	NLA - Rivnut (#10-32)	1	1
8		1028707	Spring, Release - Right	1	1
8		1028708	Spring, Release - Left	1	1
9		1006490	Tip, Plastic, Black	1	1
10		15680X012	Collar, Anti-Rattle (7/8")	1	1
11		1070759	Screw, Hex Head (1/4-20 x 1-1/2")	1	1
12		1026099	Spacer, Coved (1/4 x 11/16 x 1/2")	1	2
13		1044214	Nut, Hex with Nylon Cap (1/4-20)	1	1
14	D	1020534	Insert, Threaded	1	1
15	C	1074143	Kit, Slide Tube Mounting Hardware	1	1
16	B	1114755	Footrest Support Assembly, Hemi, Black - Right	1	1
16	B	1114756	Footrest Support Assembly, Hemi, Black - Left	1	1

NOTE: A - Includes items 2-4
 B - Includes items 1-10
 C - Includes items 11-14
 D - As of 8/15/03, the Threaded Insert was revised from 3 to 5 Holes. Threaded Insert is Backward Compatible and does not require ordering in Pairs.

PH93M2 (Hemi) Footrest Supports Black



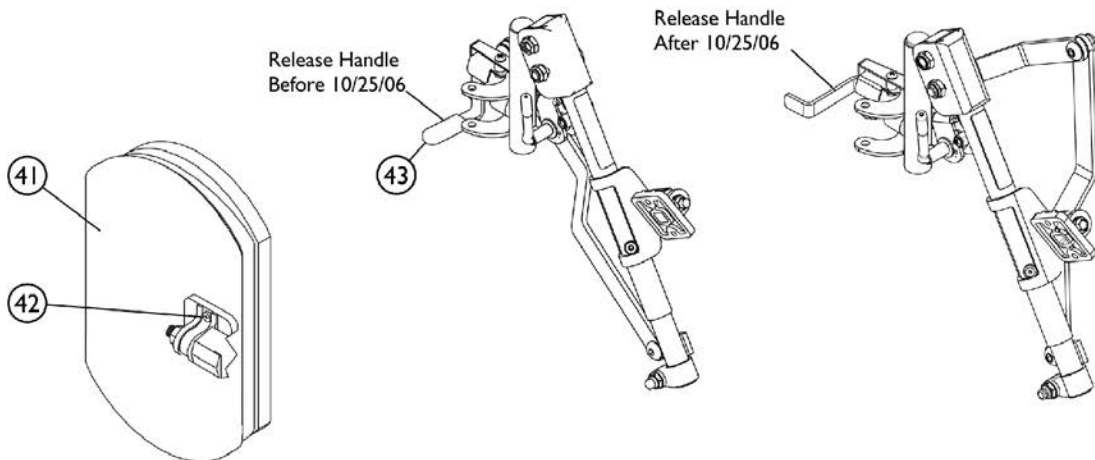
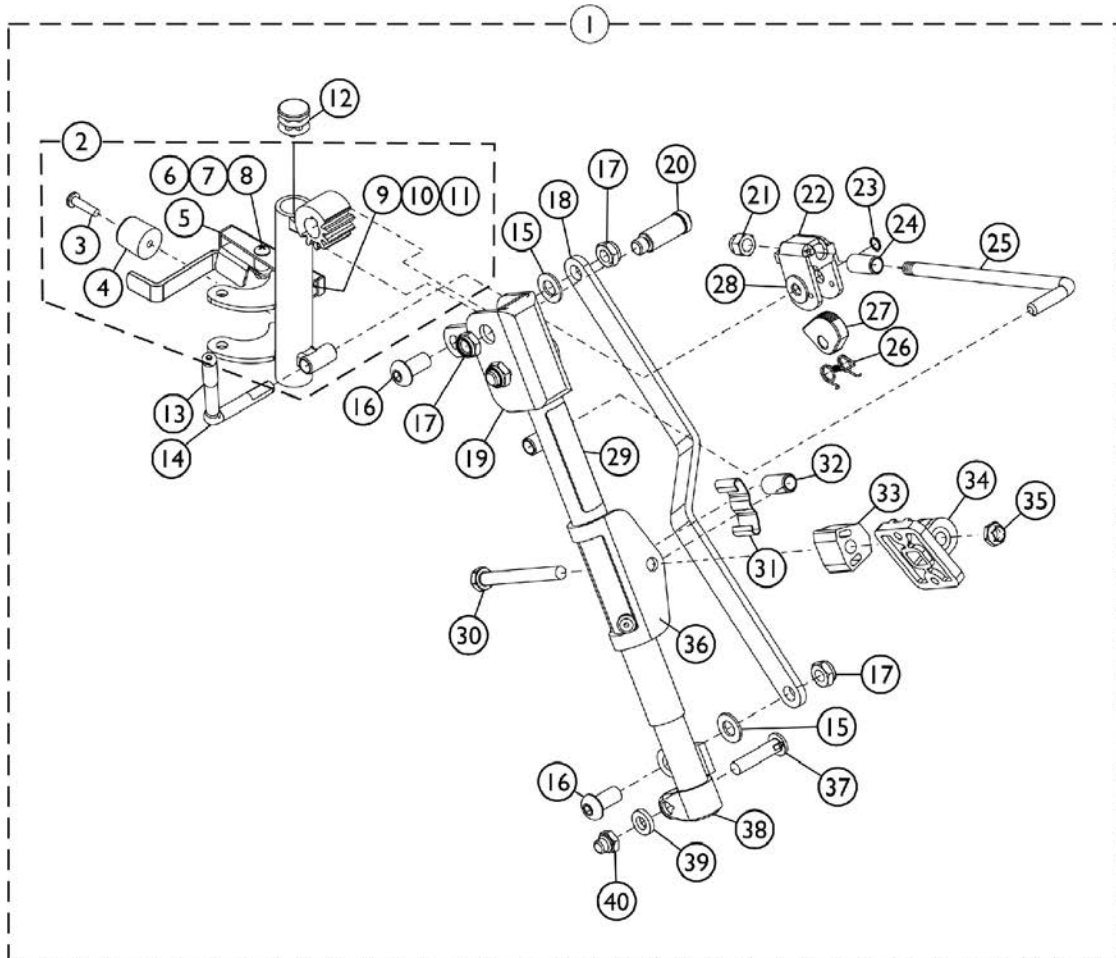
PH93M2 (Hemi) Footrest Supports Black

Item Number	Note	Part Number	Description	Quantity Per	
				Package	Assembly
1		1030979	Screw, Phillips Pan Head Tap (#10-32 x 3/4")	1	1
2		1022874	Bumper	1	1
3		1006490	Tip, Plastic, Black	1	1
4		60279X003	Locknut (#10-32)	1	1
5		47565X057	Bushing (7/32 x 3/8 x 11/32")	1	1
6		40163X008	Screw, Phillips Pan Head (#10-32 x 11/16")	1	1
7		40163X002	Screw, Phillips Round Head (#10-32 x 1/2")	1	1
8		1008935	Spring, Release - Right	1	1
8		1008936	Spring, Release - Left	1	1
9		67005X000	Rivnut (#10-32)	1	1
10		1114745	Handle, Release, Black - Right	1	1
10		1114746	Handle, Release, Black - Left	1	1
11		1027095	Plug Button, Black (7/8")	1	2
12		60264X001	Locknut (5/16-24)	1	1
13		11232X009	Bolt, Lug (5/16-24 x 1-3/8")	1	1
14	A	1122964-NLA	NLA - Footrest Support Assembly, Hemi, Black - Right	1	1
14	A	1122965-NLA	NLA - Footrest Support Assembly, Hemi, Black - Left	1	1

NOTE: A - Includes items 1-13

PHAL4A (Hemi) Articulating Legrest Supports Chrome

Due to a change to the Legrest Calf Pad size made on 4/23/12, you must also order the hardware kit (1068649) when ordering replacement Calf Pads.



PHAL4A (Hemi) Articulating Legrest Supports Chrome

Due to a change to the Legrest Calf Pad size made on 4/23/12, you must also order the hardware kit (1068649) when ordering replacement Calf Pads.

Item Number	Note	Part Number	Description	Quantity Per	
				Package	Assembly
1	B,E,E1	1031437-NLA	NLA - Legrest Support Assembly, Articulating, Hemi, Chrome - Right	1	1
1	B,E,E1	1031438-NLA	NLA - Legrest Support Assembly, Articulating, Hemi, Chrome - Left	1	1
2	E,E1,I	1023092-NLA	NLA - Legrest Support Tube Assembly, Hemi, Chrome - Right	1	1
2	E,E1,I	1023093-NLA	NLA - Legrest Support Tube Assembly, Hemi, Chrome - Left	1	1
3		1030979	Screw, Phillips Pan Head Tap (#10-32 x 3/4")	1	1
4		1022874	Bumper	1	1
5	F	1035539	Handle, Release, Black - Right	1	1
5	F	1035540	Handle, Release, Black - Left	1	1
6		47565X057	Bushing (7/32 x 3/8 x 11/32")	1	1
7		60279X003	Locknut (#10-32)	1	1
8		40163X008	Screw, Phillips Pan Head (#10-32 x 11/16")	1	1
9		1008935	Spring, Release - Right	1	1
9		1008936	Spring, Release - Left	1	1
10		67005X000	Rivnut (#10-32)	1	1
11		40163X002	Screw, Phillips Round Head (#10-32 x 1/2")	1	1
12		1027097	Plug Button, Black (3/4")	1	1
13		1040060	Tip, Plastic, Black	1	1
14		1037126	Handle, Release	1	1
15		1049527	Washer, Nylon (3/8 x 3/4 x 1/16")	1	2
16		1022866-NLA	NLA - Screw, Socket Button Head (3/8-16 x 3/4")	1	2
17		40363X000	Hex Nut (3/8"-16)	1	3
18		1022846-NLA	NLA - Bar, Link, Black	1	1
19		1022877-NLA	NLA - Tube, Support and Drive Link, Chrome - Right	1	1
19		1022878-NLA	NLA - Tube, Support and Drive Link, Chrome - Left	1	1
20		1022854-NLA	NLA - Screw, Shoulder Slotted Head (1/2 x 1-1/8", 3/8-16)	1	1
21		10261X000	Nut, Acorn (5/16-24)	1	1
22		04528X002	Bracket, Release, Black	1	1
23		1040831	Ring, Snap	1	1
24		47328X003	Bushing, Pivot (5/16 x 7/16 x 7/8")	1	1
25		42326X004	Bar, Ratchet - Right/Left	1	1
26		1037485	Spring, Release	1	1
27		1037125	Cam, Legrest	1	1
28		1013519	Washer, Nylon (5/16 x 11/16 x 1/16")	1	1
29		1024911-NLA	NLA - Decal, Smartleg	1	1
30		1014807	Screw, Hex Head (5/16-24 x 3-1/4")	1	1
31		48823X008	Spring, Leaf	1	1
32		47328X003	Bushing, Pivot (5/16 x 7/16 x 7/8")	1	1

PHAL4A (Hemi) Articulating Legrest Supports Chrome

Due to a change to the Legrest Calf Pad size made on 4/23/12, you must also order the hardware kit (1068649) when ordering replacement Calf Pads.

Item Number	Note	Part Number	Description	Quantity Per	
				Package	Assembly
33		1025133	Spacer, Legrest Pad, Black	1	1
34		04526X019	Plate, Legrest Pad	1	1
35		60264X001	Locknut (5/16-24)	1	1
36		1025104	Bracket, Legrest, Chrome	1	1
37		11232X009	Bolt, Lug (5/16-24 x 1-3/8")	1	1
38		1022848	Tube, Slide, Articulating, Chrome - Right	1	1
38		1022849	Tube, Slide, Articulating, Chrome - Left	1	1
39		1027377	Washer (#20)	1	1
40		1107321	Nut, Low Cap (5/16"-24)	1	1
41	A,C,H	88804529X003	Pad, Legrest, Vinyl - Right	1	1
41	A,C,H	88804529X004	Pad, Legrest, Vinyl - Left	1	1
41	A,D,H	8881091764	Pad, Legrest, Vinyl - Right/Left	1	1
42	G	1068649	Hardware, Legrest Pad	1	1
			Screw, Phillips Pan Head (#10-32 x 11/16")	1	2
			Screw, Phillips Pan Head (#10-32 x 1")	1	2
			Instruction Sheet, Legrest Pad Mtg.	1	1
43	J	1006490	Tip, Plastic, Black	1	1

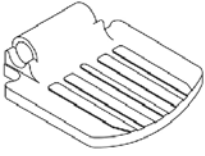
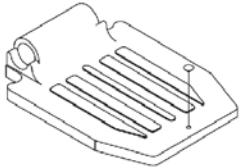
NOTE: A - Specify upholstery color U67 black when ordering.
 B - Includes items 3-40.
 C - For 14"-15" wide seats
 D - For 16" wide seats
 E - Release Handle revised 10/25/06. When a complete Legrest Assembly item #1 or a Legrest Support Tube Assembly item #2 is ordered for chairs manufactured before 10/25/06, order the opposite side "Release Handle" item #5 to match.
 E1 - Both Release Handles pictured to identify the difference. Release Handle after 10/24/06 does not require a rubber tip
 F - Release Handle revised 10/25/06. For chairs manufactured before 10/25/06, order in pairs to match.
 G - Includes Screws and Instruction Sheet.
 H - Due to a change to the Legrest Calf Pad size made on 4/23/12, you must also order the hardware kit (1068649) when ordering replacement Calf Pads.
 I - Includes the Legrest Support Tube and items 3-11.
 J - Used for Release Handles before 10/25/06 only.

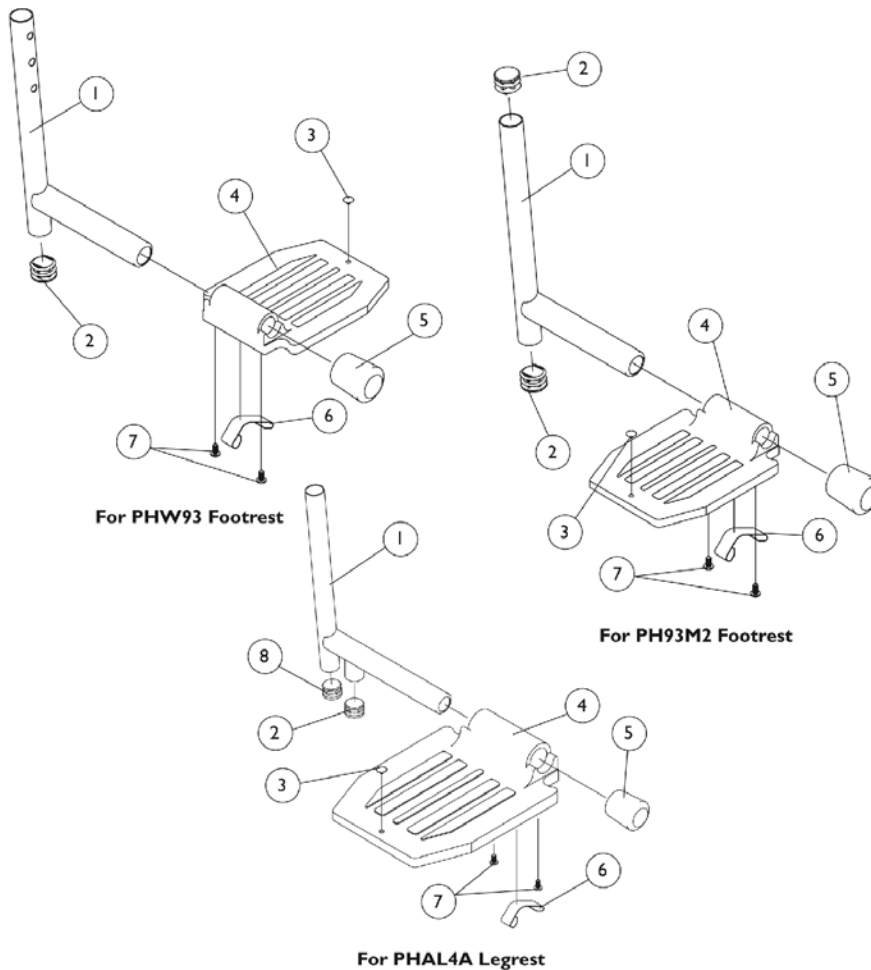
Pivot/Slide Tube and 1650 Standard Aluminum Footplate

For the Following Front Riggings: PHW93, PH93M2, PHAL4A

NOTE: Heel Loops are not included. See Footrest and Legrest Accessories page.

NOTE: For complete pivot/ slide tube and footplate assemblies, see Front Rigging Reference Chart page.

	
12"-15" Wide 1650 Standard Aluminum	16" Wide 1650 Standard Aluminum



Pivot/Slide Tube and 1650 Standard Aluminum Footplate

For the Following Front Riggings: PHW93, PH93M2, PHAL4A

NOTE: Heel Loops are not included. See Footrest and Legrest Accessories page.

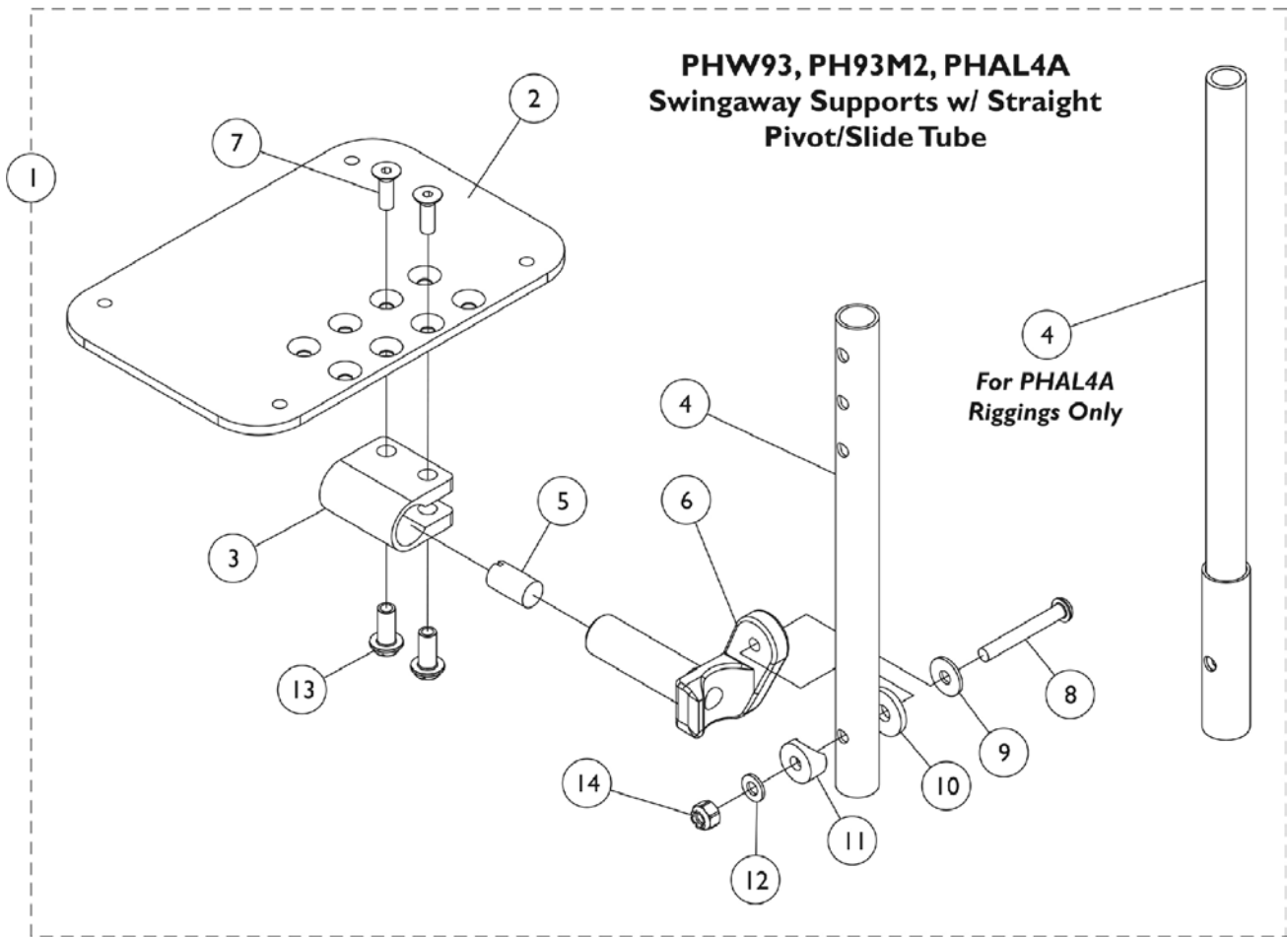
NOTE: For complete pivot/ slide tube and footplate assemblies, see Front Rigging Reference Chart page.

Item Number	Note	Part Number	Description	Quantity Per	
				Package	Assembly
1	A	1048834	Pivot/Slide Tube w/ Plug Button, Black	1	1
1	B	1041527	Pivot/Slide Tube w/ Plug Button, Black	1	1
1	C	1041526	Pivot/Slide Tube w/ Plug Button Assembly, Chrome	1	1
2	D	1027097	Plug Button, Black (3/4")	1	2
3		1070168	Plug, Push, Footplate	1	1
4	E	44200X032-NLA	NLA - Footplate, Aluminum, Extra Small, Black (5-3/4" W x 6" L)	1	1
4	F	44200X059	Footplate, Aluminum, Small, Black (6-3/4" W x 6" L)	1	1
4	G	44200X027	Footplate, Aluminum, Medium, Black (7-3/4" W x 6" L)	1	1
5		1016346	Cap, End, Tube, Black (7/8")	1	1
6		1006981	Spring, Tension	1	1
7		40120X001	Screw, Phillips Pan Head (#8-32 x 3/8")	1	2
8		1018133	Plug Button, Black (5/8")	1	1
<p>NOTE: A - For PHW93 Footrest B - For PH93M2 Footrest C - For PHAL4A Legrest D - PH93M2 Pivot/Slide tube uses a quantity of 2 plug buttons E - For 12"-13" wide seats F - For 14"-15" wide seats G - For 16" wide seats</p>					

Pivot/Slide Tube and Adjustable Angle Footplates AT5543

For the Following Front Riggings:
PHW93, PH93M2, PHAL4A

NOTE: Heel loops are not included. See Footrest and Legrest Accessories page.



Pivot/Slide Tube and Adjustable Angle Footplates AT5543

For the Following Front Riggings: PHW93, PH93M2, PHAL4A

NOTE: Heel loops are not included. See Footrest and Legrest Accessories page.

Item Number	Note	Part Number	Description	Quantity Per	
				Package	Assembly
1		See Chart	Pivot/ Slide Tube with Adjustable Angle Footplate Assemblies	1	1
2	D	1113572	Footplate, Adjustable Angle, Medium, Black (4-1/4" W x 8" L)	1	1
2	D	1113573	Footplate, Adjustable Angle, Large, Black (5-1/4" W x 8" L)	1	1
2	D	1113574	Footplate, Adjustable Angle, Extra Large, Black (6-1/4" W x 8" L)	1	1
3		1058517	Clamp, Footplate	1	1
4	A	1057855	Tube, Pivot and Slide, Straight, Steel, Black (9-7/8" L)	1	1
4	B	1120384-NLA	NLA - Tube, Pivot/Slide, Straight - Alum. (9-7/8" L)	1	1
4	C	1091745-NLA	NLA - Tube, Pivot/Slide, Straight, Steel, Chrome (13-7/8" L)	1	1
5		1048816	Screw, Nylon Adjustment (1/2-13 x 7/8")	1	1
6		1052102	Hinge, Footplate - Right	1	1
6		1052103	Hinge, Footplate - Left	1	1
7		1029545	Screw, Socket Flat Head (1/4-20 x 3/4")	1	2
8		7930321-NLA	NLA Package, Screw, Socket Button Head (1/4-20 x 1-7/8")	25	1
9		1026900	Washer (1/4 x 23/32 x 1/16")	1	1
10		7930313	Package, Washer, Nylon (5/16 x 7/8 x 1/8")	25	1
11		1025457	Spacer, Coved (1/4 x 3/4 x 11/32")	1	1
12		1026907	Washer (1/4 x 1/2 x 1/16")	1	1
13		1082686	Nut, Barrel, Hex Head (1/4-20 x 11/16")	1	2
14		7930333	Locknut (1/4-20)	25	1

NOTE: A - For PHW93 footrest
 B - For PH93M2 footrest
 C - For PHAL4A legrest
 D - This footplate was revised 9/2/2008 with rounder corners and accessory holes changed from 8 to 4. Recommended to replace footplate in pairs to match sides.

Pivot/ Slide Tube with Adjustable Angle Footplate Assemblies

Rigging Type	Side	12-13" Wide 4-1/4" Medium Footplate	14-15" Wide 5-1/4" Large Footplate	16" Wide 6-1/4" X- Large Footplate
PHW93	Right	1060442	1060444	1062756
	Left	1060443	1060445	1062757
PH93M2	Right	1060430	1060432	1062572
	Left	1060431	1060433	1062573

Pivot/Slide Tube and Adjustable Angle Footplates AT5543

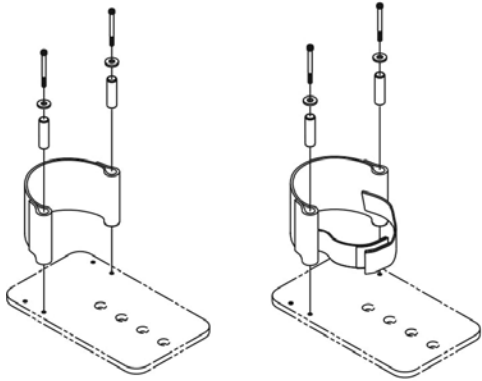
For the Following Front Riggings: PHW93, PH93M2, PHAL4A

NOTE: Heel loops are not included. See Footrest and Legrest Accessories page.

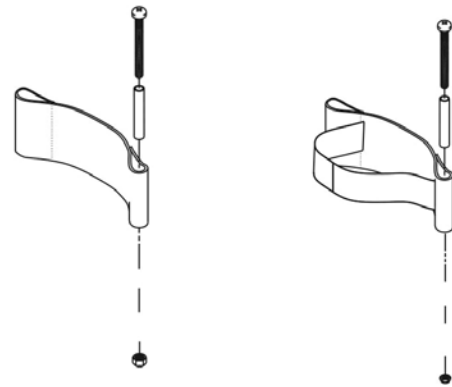
Pivot/ Slide Tube with Adjustable Angle Footplate Assemblies

Rigging Type	Side	12-13" Wide 4-1/4" Medium Footplate	14-15" Wide 5-1/4" Large Footplate	16" Wide 6-1/4" X- Large Footplate
PHAL4A	Right	N/A	1091775-NLA	1091777-NLA
	Left	N/A	1091776-NLA	1091778-NLA

Footrest and Legrest Accessories



For AT5543 Footplates



For I650 Footplates

Footrest and Legrest Accessories

Heel Loops and Hardware For 1650 Standard Aluminum Footplates

Chair Width	Heel Loop Single #	Heel Loop Pair #	Attaching Hardware Pair #
12"-13" W	1028412-NLA	1035912-NLA	1035907
14"-15" W	1025234-NLA	1035905	1035907
16" W	1017621	1035917-NLA	1035907

Heel Loops w/ Ankle Straps and Hardware For 1650 Standard Aluminum Footplates

Chair Width	Heel Loop w/ Ankle Strap Single # Rt.	Heel Loop w/ Ankle Strap Single # Lt.	Heel Loop w/ Ankle Strap Pair #	Attaching Hardware Pair #
12"-14" W See Note(s) A	1035908-NLA	1035909-NLA	1035906	1035907
15"-16" W See Note(s) A	1035919	1035920	1035918	1035907
14"-15" W See Note(s) B	1035908-NLA	1035909-NLA	1035906	1035907
16" W See Note(s) B	1035919	1035920	1035918	1035907

NOTE: A - For PHW93 and PH93M2 footrest only
B - For PHAL4A articulating legrest only

Attaching Hardware Part Number For 1650 Standard Aluminum Footplates

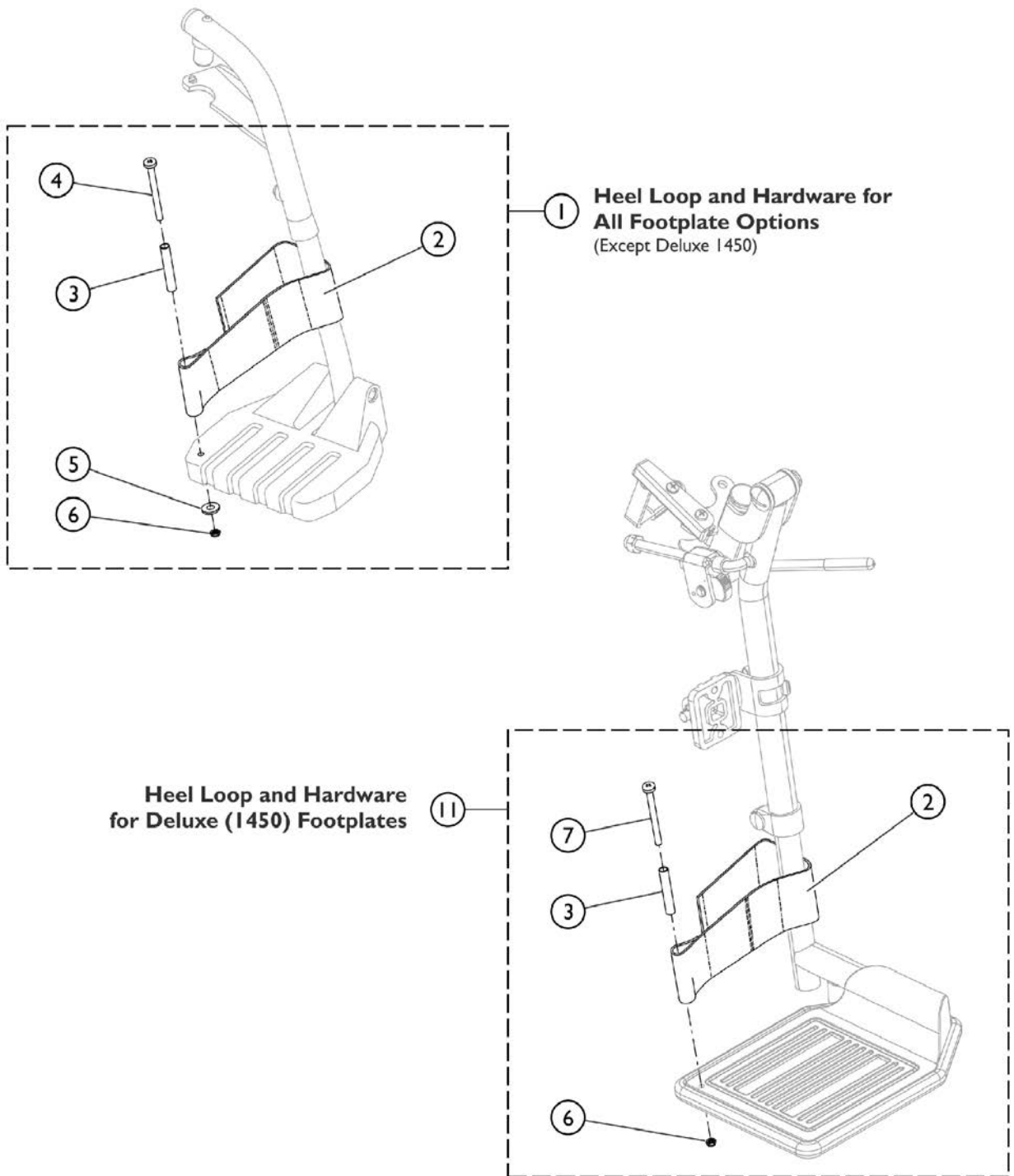
Part Number	Part Number Consists of
1035907	2 each Screw, PPH (1/4-20 x 2-1/4") 2 each Spacer (1/4 x 11/32 x 1-3/4") 2 each Locknut (1/4-20)

Footrest and Legrest Accessories

Heel Loops and Heel Loops w/ Ankle Straps For AT5543 Adj. Angle Footplates

Part Number	Part Number Consists of
1160723 Kit, Heel Loop w/ Hardware, Adjustable Angle Footplate (Pair)	(2) Heel Loops (4) Screw, PPH (1/4-20 x 2-1/4") (4) Spacer (4) Locknut (1/4-20)
1160724 Kit, Heel Loop w/ Ankle Strap and Hardware, Adjustable Angle Footplate (Pair)	(2) Heel Loops w/ Ankle Straps (4) Screw, PPH (1/4-20 x 2-1/4") (4) Spacer (4) Locknut (1/4-20)

Front Riggings - Adjustable Heel Loops



SCM_058A

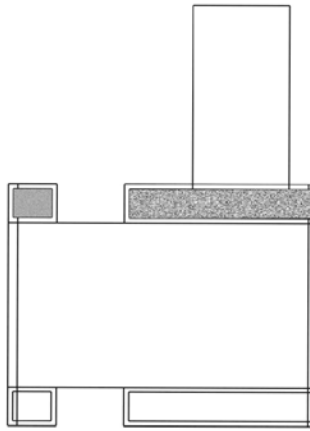
Front Riggings - Adjustable Heel Loops

Item Number	Note	Part Number	Description	Quantity Per	
				Package	Assembly
1	A	1191117	Kit, Heel Loop, Adjustable w/ Hardware (Pair)	1	1
2			Heel Loop	1	2
3			NLA - Spacer (1/4 x 11/32 x 1-3/4")	1	2
4			NLA - Screw, Phillips Pan Head (1/4-20 x 2-1/4")	1	2
5			Washer, Flat (1/4 x 5/8 x 1/16")	1	2
6			Nut, Hex, Nylon Cap (1/4-20)	1	2
			Instruction Sheet, Adjustable Heel Loop	1	1
11	B	1191116	Kit, Heel Loop, Adjustable w/ Hardware, Deluxe 1450 (Pair)	1	1
2			Heel Loop	1	2
3			NLA - Spacer (1/4 x 11/32 x 1-3/4")	1	2
6			Nut, Hex, Nylon Cap (1/4-20)	1	2
7			NLA - Screw, Phillips Pan Head (1/4-20 x 2-1/2")	1	2
			Instruction Sheet, Adjustable Heel Loop	1	1
NOTE: A - Kit includes items 2 - 6. Used with All Footplates except Deluxe (1450). B - Kit includes items 2, 3, 6, and item 7. Used with Deluxe (1450) Footplates only.					

Misc. Accessories



Calf Strap

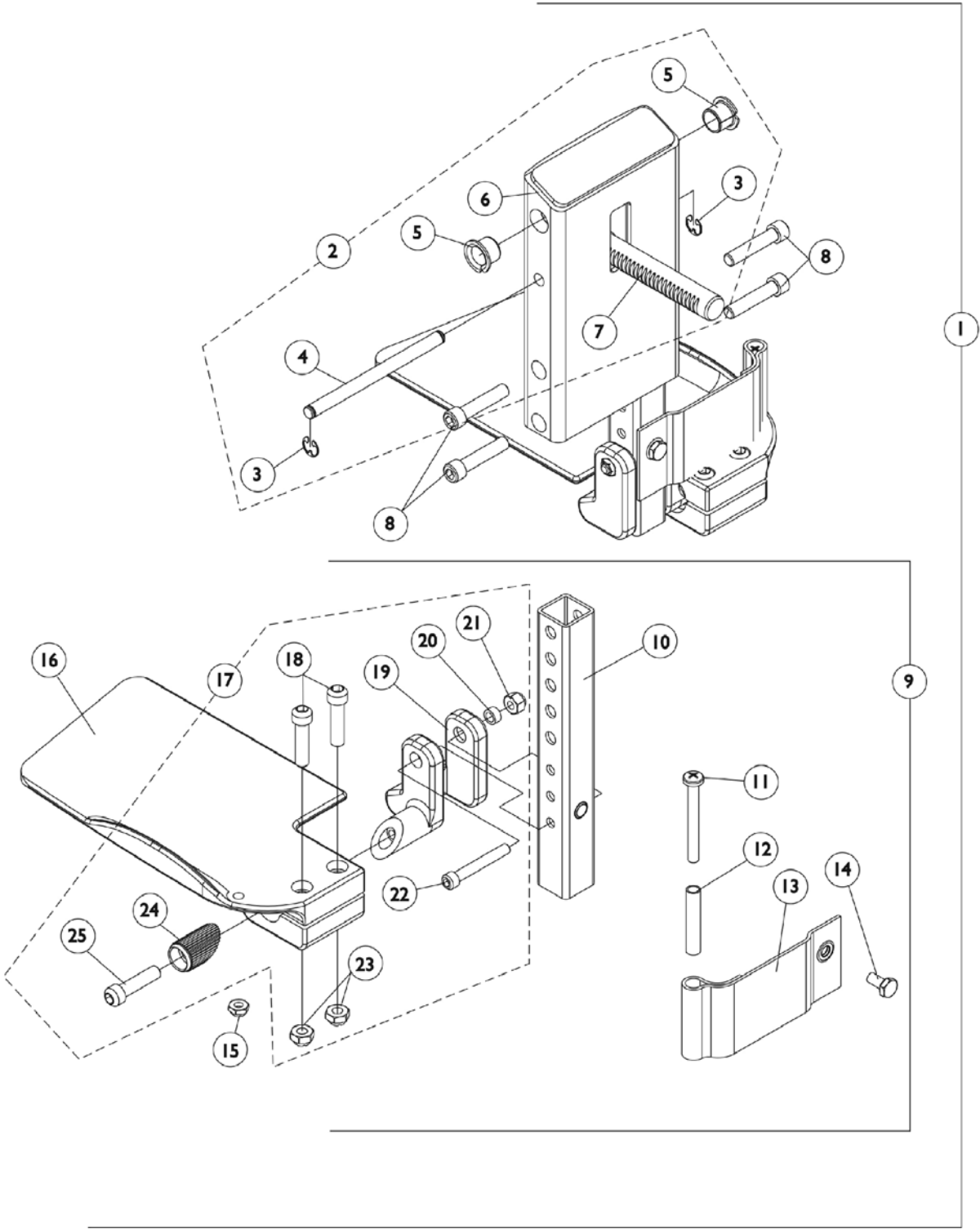


Impact Guard

Misc. Accessories

Item Number	Note	Part Number	Description	Quantity Per	
				Package	Assembly
	A	1032243	Strap, Calf w/ Hook and Loop (36" L)	1	1
		1026987	Guard, Impact (8" L)	1	2
NOTE: A - For 70 deg. Tapered Footrest.					

Front Rigging - Center Mount Rigging CTMTJ - Before 12/10/08 (CTMTJ = 9-1/4" - 12" Range)



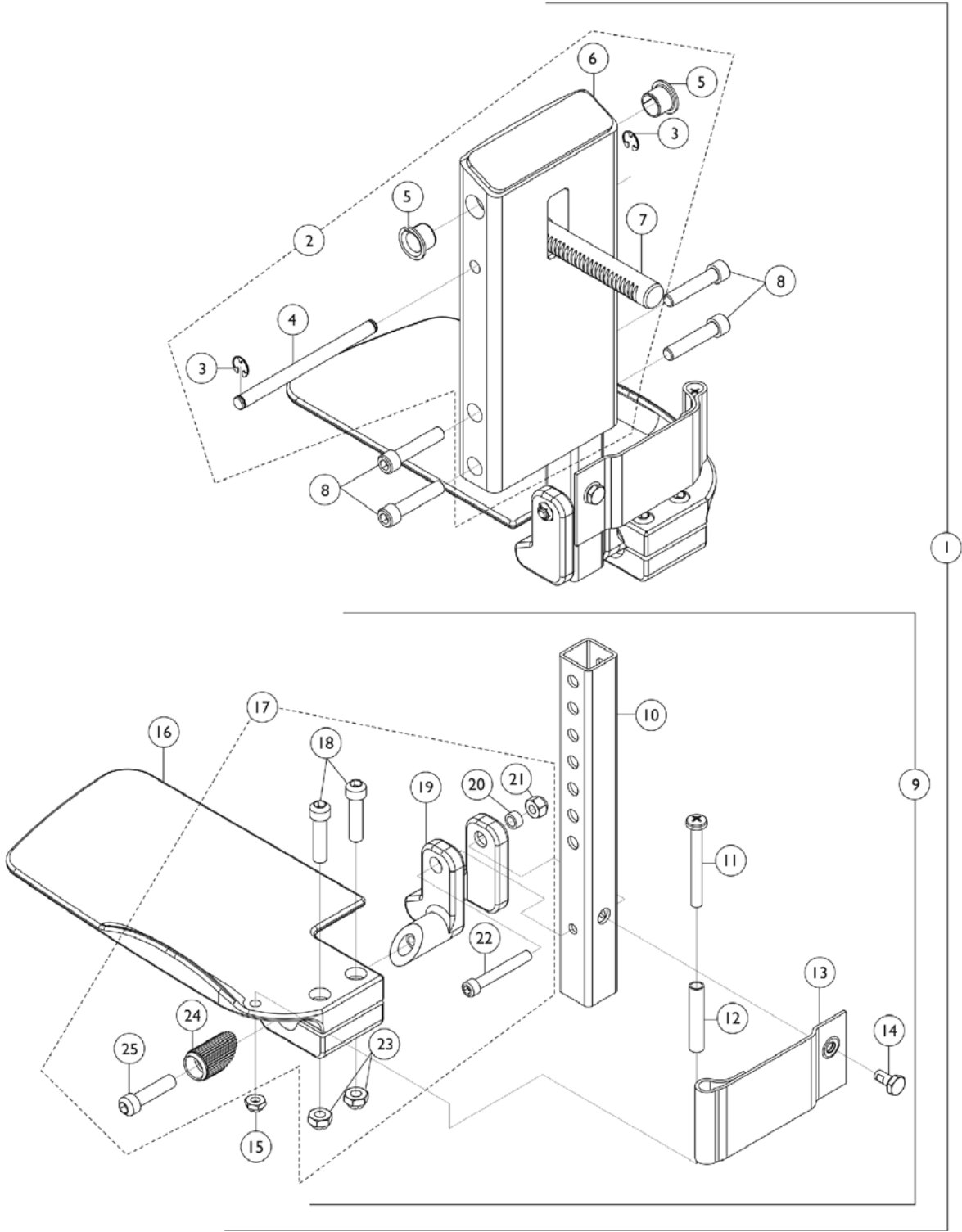
Front Rigging - Center Mount Rigging CTMTJ - Before 12/10/08 (CTMTJ = 9-1/4" - 12" Range)

Item Number	Note	Part Number	Description	Quantity Per	
				Package	Assembly
1	A	See Note	See Footnote	1	1
2	B	1123021-NLA	NLA - Legrest Support Assembly, Center Mount, Junior, Black	1	1
3		1113376-NLA	NLA - Ring, Retainer (1/4 x 1/2 x 1/64")	1	2
4		1113373-NLA	NLA - Pin, Angle, Adjustable, ASBA	1	1
5		1110669	Bearing, Flange (1/2 x 13/16 x 1/2")	1	2
6		1121984-NLA	NLA - Support, Junior Legrest (CTMTJ/CTMT-FJ)	1	1
7		1113372	Rack, Center Mount Rigging Angle Adjustable	1	1
8		1021344	Screw, Socket Head (5/16-18 x 1-1/2")	1	4
9	C	1123042-NLA	NLA - Extension Tube and Footplate Assembly w/ Heel Loop, Junior - Right	1	1
9	C	1123043-NLA	NLA - Extension Tube and Footplate Assembly w/ Heel Loop, Junior - Left	1	1
10		1123044	Tube, Footrest Extension, Short (CTMTJ/CTMT-FJ = 9-1/4 - 12") (CTMT/CTMT-F = 12-1/4 - 15") (PCTMT = 10 - 13")	1	1
11		1021421-NLA	NLA - Screw, Phillips Pan Head (1/4-20 x 2-1/4")	1	2
12		1006477-NLA	NLA - Spacer (1/4 x 11/32 x 1-3/4")	1	2
13		1121996-NLA	NLA - Heel Loop, Center Mount Rigging	1	2
14		1078214	Screw, Hex Head w/ Patch (1/4-20 x 1/2")	1	2
15		1025195	Locknut (1/4-20)	1	2
16	E	1121988-NLA	NLA - Footplate, CTMTJ/CTMT-FJ - Right (5-1/4" W x 8-13/16" L)	1	1
16	E	1121989-NLA	NLA - Footplate, CTMTJ/CTMT-FJ - Left (5-1/4" W x 8-13/16" L)	1	1
17	D	1120345-NLA	NLA - Center Mount Rigging Footplate Mounting Hardware - Right	1	1
17	D	1121123-NLA	NLA - Center Mount Rigging Footplate Mounting Hardware - Left	1	1
18		1021343	Screw, Socket Head (5/16-18 x 1-1/4")	1	2
19		1113384-NLA	NLA - Hinge, Adjustable Angle - Right	1	1
19		1113385-NLA	NLA - Hinge, Adjustable Angle - Left	1	1
20		1047449-NLA	NLA - Spacer (1/4 x 3/8 x 3/16")	1	1
21		1065362	Locknut (1/4-28)	1	1
22		1096810	Screw, Socket Head (1/4-28 x 1-3/4")	1	1
23		1108122-NLA	NLA - Locknut (5/16-18)	1	2
24		1113530	Attachment, Hinge	1	1
25		1021343	Screw, Socket Head (5/16-18 x 1-1/4")	1	1

NOTE: A - As of 12/10/08, item #1 is no longer available. Individual parts may be ordered separately.
B - Includes items 3-7
C - Includes items 10-16 & 17
D - Includes items 18-25
E - Item #16 - Footplate design revised 2/28/07 to accommodate items 18 & 23. Replace footplates in pairs and order new footplate hardware for chairs mfg. before 2/28/07.

Front Rigging - Center Mount Rigging (CTMT/CTMT-L) - Before 12/10/08

(CTMT = 12-1/4" - 15" Range) & (CTMT-L = 16" - 18-3/4" Range)



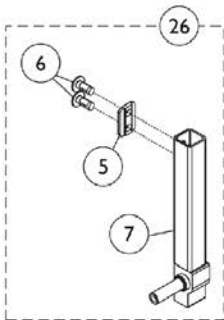
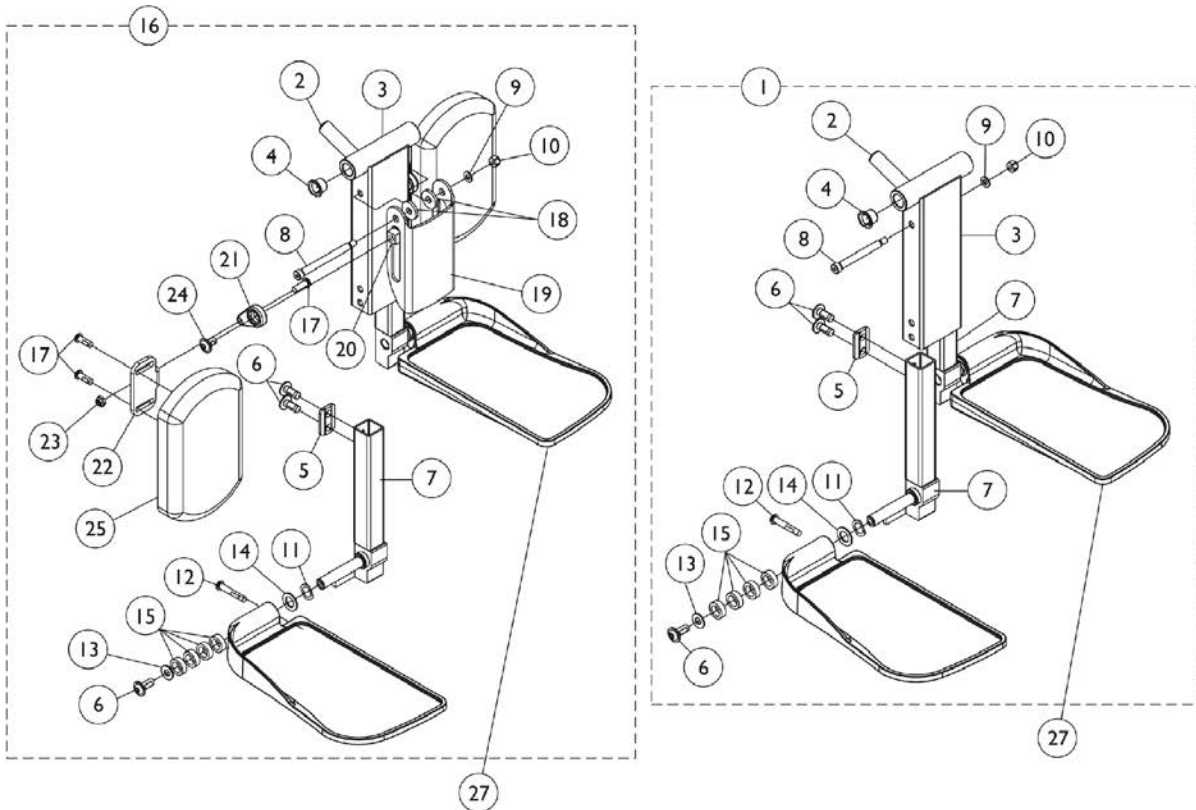
Front Rigging - Center Mount Rigging (CTMT/CTMT-L) - Before 12/10/08 (CTMT = 12-1/4" - 15" Range) & (CTMT-L = 16" - 18-3/4" Range)

Item Number	Note	Part Number	Description	Quantity Per	
				Package	Assembly
1	A	See Note	See Footnote	1	1
2	B	1120346-NLA	NLA - Legrest Support Assembly, Center Mount, Black	1	1
3		1113376-NLA	NLA - Ring, Retainer (1/4 x 1/2 x 1/64")	1	2
4		1113373-NLA	NLA - Pin, Angle, Adjustable, ASBA	1	1
5		1110669	Bearing, Flange (1/2 x 13/16 x 1/2")	1	2
6	F	1113609-NLA	NLA - Support, Center Mount Rigging Legrest, Black	1	1
7		1113372	Rack, Center Mount Rigging Angle Adjustable	1	1
8		1021344	Screw, Socket Head (5/16-18 x 1-1/2")	1	4
9	C	1123034-NLA	NLA - Extension Tube and Footplate Assembly w/ Heel Loop, Short - Right	1	1
9	C	1123035-NLA	NLA - Extension Tube and Footplate Assembly w/ Heel Loop, Short - Left	1	1
9	C	1123036-NLA	NLA - Extension Tube and Footplate Assembly w/ Heel Loop, Long - Right	1	1
9	C	1123037-NLA	NLA - Extension Tube and Footplate Assembly w/ Heel Loop, Long - Left	1	1
10		1123044	Tube, Footrest Extension, Short (CTMTJ/CTMT-FJ = 9-1/4 - 12") (CTMT/CTMT-F = 12-1/4 - 15") (PCTMT = 10 - 13")	1	1
10		1123045-NLA	NLA - Tube, Footrest Extension, Long (CTMT-L/CTMT-FL = 16 - 18-3/4") (PCTMT-L = 1 - 17")	1	1
11		1021421-NLA	NLA - Screw, Phillips Pan Head (1/4-20 x 2-1/4")	1	2
12		1006477-NLA	NLA - Spacer (1/4 x 11/32 x 1-3/4")	1	2
13		1121996-NLA	NLA - Heel Loop, Center Mount Rigging	1	2
14		1078214	Screw, Hex Head w/ Patch (1/4-20 x 1/2")	1	2
15		1025195	Locknut (1/4-20)	1	2
16	E	1113606-NLA	NLA - Footplate, Center Mount Rigging, Black - Right (5-1/4" W x 9-5/8" L)	1	1
16	E	1113607-NLA	NLA - Footplate, Center Mount Rigging, Black - Left (5-1/4" W x 9-5/8" L)	1	1
17	D	1120345-NLA	NLA - Center Mount Rigging Footplate Mounting Hardware - Right	1	1
17	D	1121123-NLA	NLA - Center Mount Rigging Footplate Mounting Hardware - Left	1	1
18		1021343	Screw, Socket Head (5/16-18 x 1-1/4")	1	2
19		1113384-NLA	NLA - Hinge, Adjustable Angle - Right	1	1
19		1113385-NLA	NLA - Hinge, Adjustable Angle - Left	1	1
20		1047449-NLA	NLA - Spacer (1/4 x 3/8 x 3/16")	1	1
21		1065362	Locknut (1/4-28)	1	1
22		1096810	Screw, Socket Head (1/4-28 x 1-3/4")	1	1

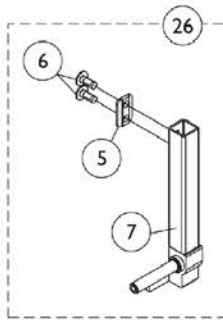
Front Rigging - Center Mount Rigging (CTMT/CTMT-L) - Before 12/10/08 (CTMT = 12-1/4" - 15" Range) & (CTMT-L = 16" - 18-3/4" Range)

Item Number	Note	Part Number	Description	Quantity Per	
				Package	Assembly
23		1108122-NLA	NLA - Locknut (5/16-18)	1	2
24		1113530	Attachment, Hinge	1	1
25		1021343	Screw, Socket Head (5/16-18 x 1-1/4")	1	1
NOTE: A - As of 12/10/08, item 1 is no longer available. Individual parts may be ordered separately. B - Includes items 3-7 C - Includes items 10-16 & 17 D - Includes items 18-25 E - Item #16 - Footplate design revised 2/28/07 to accomodate items 18 & 23. Replace footplates in pairs and order new footplate hardware for chairs mfg. before 2/28/07. F - No Longer Available individually. See part # 1123046 for replacement.					

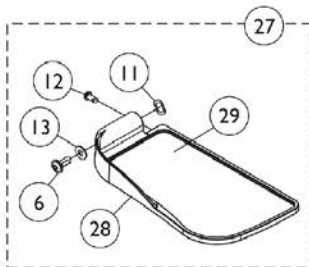
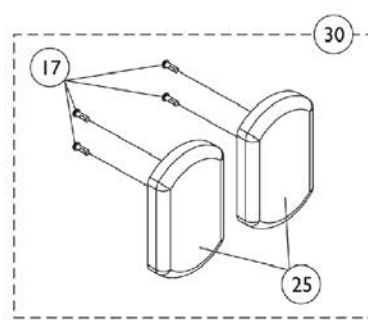
Center Mount Front Rigging (After 12/09/08) (CTMT-J/CTMT-FJ/CTMT/CTMT-F/CTMT-L/CTMT-FL)



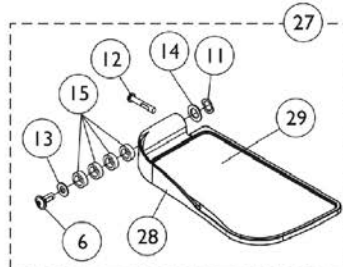
Before 12/15/10



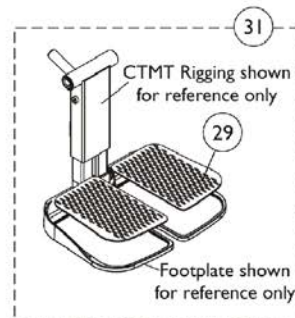
After 12/14/10



Before 12/15/10



After 12/14/10



Center Mount Front Rigging (After 12/09/08) (CTMT-J/CTMT-FJ/CTMT/CTMT-F/CTMT-L/CTMT-FL)

Item Number	Note	Part Number	Description	Quantity Per	
				Package	Assembly
1	A	1121990	Kit, Center Mount Front Rigging, Junior (CTMTJ/CTMT-FJ) ASBA/ADJASBA (9-1/2" - 11" Range)	1	1
2			Rack, Center Mount Rigging Angle Adjustable	1	1
3			Support, Footrest, Center Mount, Black - Short	1	1
4			Bearing, Flange (1/2 x 13/16 x 1/2")	1	2
5			Cleat, Button Head	1	2
6			Screw, Socket, Button Head w/ Patch (5/16-18 x 3/4")	1	6
7			Tube, Extension, Footrest, Short, Black - Right	1	1
7			Tube, Extension, Footrest, Short, Black - Left	1	1
8			Screw, Shoulder Hex Socket Head (5/16" x 2-1/2", 1/4-20)	1	1
9			Washer (1/4 x 1/2 x 1/16")	1	1
10			Locknut (1/4-20)	1	1
11			NLA - Washer, Wave (17/32 x 3/4 x 1/64")	1	2
12			Screw, Socket Button Head (1/4-20 x 1-1/2")	1	2
13			Washer, Nylon (5/16 x 11/16 x 1/16")	1	2
14			Washer (1/2 x 7/8 x 3/64")	1	2
15			Spacer, Nylon (1/2 x 3/4 x 1/4")	1	8
1	A	1117262	Kit, Center Mount Front Rigging (CTMT) (CTMT-F), ASBA/ADJASBA (11" - 15" Range)	1	1
2			Rack, Center Mount Rigging Angle Adjustable	1	1
3			Support, Footrest, Center Mount, Black - Regular	1	1
4			Bearing, Flange (1/2 x 13/16 x 1/2")	1	2
5			Cleat, Button Head	1	2
6			Screw, Socket, Button Head w/ Patch (5/16-18 x 3/4")	1	6
7			Tube, Extension, Footrest, Medium, Black - Right	1	1
7			Tube, Extension, Footrest, Medium, Black - Left	1	1
8			Screw, Shoulder Hex Socket Head (5/16" x 2-1/2", 1/4-20)	1	1
9			Washer (1/4 x 1/2 x 1/16")	1	1
10			Locknut (1/4-20)	1	1
11			NLA - Washer, Wave (17/32 x 3/4 x 1/64")	1	2
12			Screw, Socket Button Head (1/4-20 x 1-1/2")	1	2
13			Washer, Nylon (5/16 x 11/16 x 1/16")	1	2
14			Washer (1/2 x 7/8 x 3/64")	1	2
15			Spacer, Nylon (1/2 x 3/4 x 1/4")	1	8
1	A	1117263	Kit, Center Mount Front Rigging (CTMT-L) (CTMT-FL), ASBA/ADJASBA (14" - 18" Range)	1	1
2			Rack, Center Mount Rigging Angle Adjustable	1	1
3			Support, Footrest, Center Mount, Black - Regular	1	1

**Center Mount Front Rigging
(After 12/09/08)
(CTMT-J/CTMT-FJ/CTMT/CTMT-F/CTMT-L/CTMT-FL)**

Item Number	Note	Part Number	Description	Quantity Per	
				Package	Assembly
4			Bearing, Flange (1/2 x 13/16 x 1/2")	1	2
5			Cleat, Button Head	1	2
6			Screw, Socket, Button Head w/ Patch (5/16-18 x 3/4")	1	6
7			Tube, Extension, Footrest, Long, Black - Right	1	1
7			Tube, Extension, Footrest, Long, Black - Left	1	1
8			Screw, Shoulder Hex Socket Head (5/16" x 2-1/2", 1/4-20)	1	1
9			Washer (1/4 x 1/2 x 1/16")	1	1
10			Locknut (1/4-20)	1	1
11			NLA - Washer, Wave (17/32 x 3/4 x 1/64")	1	2
12			Screw, Socket Button Head (1/4-20 x 1-1/2")	1	2
13			Washer, Nylon (5/16 x 11/16 x 1/16")	1	2
14			Washer (1/2 x 7/8 x 3/64")	1	2
15			Spacer, Nylon (1/2 x 3/4 x 1/4")	1	8
16	B	1161428	Kit, Center Mount Front Rigging w/Calf Pad - Short (CTMTJ/CTMT-FJ) ASBA/ADJASBA (9-1/2" - 11" Range)	1	1
2			Rack, Center Mount Rigging Angle Adjustable	1	1
3			Support, Footrest, Center Mount, Black - Short	1	1
4			Bearing, Flange (1/2 x 13/16 x 1/2")	1	2
5			Cleat, Button Head	1	2
6			Screw, Socket, Button Head w/ Patch (5/16-18 x 3/4")	1	6
7			Tube, Extension, Footrest, Short, Black - Right	1	1
7			Tube, Extension, Footrest, Short, Black - Left	1	1
8			Screw, Shoulder Hex Socket Head (5/16" x 3", 1/4-20)	1	1
9			Washer (1/4 x 1/2 x 1/16")	1	1
10			Locknut (1/4-20)	1	1
11			NLA - Washer, Wave (17/32 x 3/4 x 1/64")	1	2
12			Screw, Socket Button Head (1/4-20 x 1-1/2")	1	2
13			Washer, Nylon (5/16 x 11/16 x 1/16")	1	2
14			Washer (1/2 x 7/8 x 3/64")	1	2
15			Spacer, Nylon (1/2 x 3/4 x 1/4")	1	8
17			Screw, Socket Button Head w/ Patch (1/4-20 x 3/4")	1	6
18			Washer, Nylon (5/16 x 7/8 x 1/8")	1	2
19			Bracket, Calf Pad, Black	1	1
20			Nut, T (5/16-18)	1	2
21			Adjuster, Calf Pad	1	2
22			Bracket, Mounting, Calf Pad	1	2
23			Locknut (1/4-20)	1	2

Center Mount Front Rigging (After 12/09/08) (CTMT-J/CTMT-FJ/CTMT/CTMT-F/CTMT-L/CTMT-FL)

Item Number	Note	Part Number	Description	Quantity Per	
				Package	Assembly
24			Screw, Socket, Button Head w/ Patch (5/16-18 x 1/2")	1	2
25			Pad, Calf (4-1/2" W x 7-1/4" L)	1	2
16	B	1161429	Kit, Center Mount Front Rigging w/Calf Pad - Medium (CTMT) (CTMT-F), ASBA/ADJASBA (11" - 15" Range)	1	1
2			Rack, Center Mount Rigging Angle Adjustable	1	1
3			Support, Footrest, Center Mount, Black - Regular	1	1
4			Bearing, Flange (1/2 x 13/16 x 1/2")	1	2
5			Cleat, Button Head	1	2
6			Screw, Socket, Button Head w/ Patch (5/16-18 x 3/4")	1	6
7			Tube, Extension, Footrest, Medium, Black - Right	1	1
7			Tube, Extension, Footrest, Medium, Black - Left	1	1
8			Screw, Shoulder Hex Socket Head (5/16" x 3", 1/4-20)	1	1
9			Washer (1/4 x 1/2 x 1/16")	1	1
10			Locknut (1/4-20)	1	1
11			NLA - Washer, Wave (17/32 x 3/4 x 1/64")	1	2
12			Screw, Socket Button Head (1/4-20 x 1-1/2")	1	2
13			Washer, Nylon (5/16 x 11/16 x 1/16")	1	2
14			Washer (1/2 x 7/8 x 3/64")	1	2
15			Spacer, Nylon (1/2 x 3/4 x 1/4")	1	8
17			Screw, Socket Button Head w/ Patch (1/4-20 x 3/4")	1	6
18			Washer, Nylon (5/16 x 7/8 x 1/8")	1	2
19			Bracket, Calf Pad, Black	1	1
20			Nut, T (5/16-18)	1	2
21			Adjuster, Calf Pad	1	2
22			Bracket, Mounting, Calf Pad	1	2
23			Locknut (1/4-20)	1	2
24			Screw, Socket, Button Head w/ Patch (5/16-18 x 1/2")	1	2
25			Pad, Calf (4-1/2" W x 7-1/4" L)	1	2
16	B	1161430	Kit, Center Mount Front Rigging w/Calf Pad - Long (CTMT-L) (CTMT-FL), ASBA/ADJASBA (14" - 18" Range)	1	1
2			Rack, Center Mount Rigging Angle Adjustable	1	1
3			Support, Footrest, Center Mount, Black - Regular	1	1
4			Bearing, Flange (1/2 x 13/16 x 1/2")	1	2
5			Cleat, Button Head	1	2
6			Screw, Socket, Button Head w/ Patch (5/16-18 x 3/4")	1	6

Center Mount Front Rigging (After 12/09/08) (CTMT-J/CTMT-FJ/CTMT/CTMT-F/CTMT-L/CTMT-FL)

Item Number	Note	Part Number	Description	Quantity Per	
				Package	Assembly
7			Tube, Extension, Footrest, Long, Black - Right	1	1
7			Tube, Extension, Footrest, Long, Black - Left	1	1
8			Screw, Shoulder Hex Socket Head (5/16" x 3", 1/4-20)	1	1
9			Washer (1/4 x 1/2 x 1/16")	1	1
10			Locknut (1/4-20)	1	1
11			NLA - Washer, Wave (17/32 x 3/4 x 1/64")	1	2
12			Screw, Socket Button Head (1/4-20 x 1-1/2")	1	2
13			Washer, Nylon (5/16 x 11/16 x 1/16")	1	2
14			Washer (1/2 x 7/8 x 3/64")	1	2
15			Spacer, Nylon (1/2 x 3/4 x 1/4")	1	8
17			Screw, Socket Button Head w/ Patch (1/4-20 x 3/4")	1	6
18			Washer, Nylon (5/16 x 7/8 x 1/8")	1	2
19			Bracket, Calf Pad, Black	1	1
20			Nut, T (5/16-18)	1	2
21			Adjuster, Calf Pad	1	2
22			Bracket, Mounting, Calf Pad	1	2
23			Locknut (1/4-20)	1	2
24			Screw, Socket, Button Head w/ Patch (5/16-18 x 1/2")	1	2
25			Pad, Calf (4-1/2" W x 7-1/4" L)	1	2
26	G	See Chart	#26 Extension Tube Kits Before 12/15/10	1	1
26		See Chart	#26 Extension Tube Kits After 12/14/10	1	1
27	G	See Chart	#27 Footplate Kits Before 12/15/10	1	1
27		See Chart	#27 Footplate Kits After 12/14/10	1	1
30	C	1163373	Kit, Calf Pad (Pair)	1	1
17			Screw, Socket Button Head w/ Patch (1/4-20 x 3/4")	1	4
25			Pad, Calf (4-1/2" W x 7-1/4" L)	1	2
31	D	1163374	Kit, Footrest Pad - Small (Pair)	1	1
29			Pad, Footplate, Small - Right	1	1
29			Pad, Footplate, Small - Left	1	1
31	D	1163375	Kit, Footrest Pad - Medium (Pair)	1	1
29			Pad, Footplate, Medium - Right	1	1
29			Pad, Footplate, Medium - Left	1	1
31	D	1163376	Kit, Footrest Pad - Large (Pair)	1	1
29			Pad, Footplate, Large - Right	1	1
29			Pad, Footplate, Large - Left	1	1
	E	1165505	Kit, Hardware, Calf Pad Adjustment	1	1
17			Screw, Socket Button Head w/ Patch (1/4-20 x 3/4")	1	2
20			Nut, T (5/16-18)	1	2
21			Adjuster, Calf Pad	1	2
22			Bracket, Mounting, Calf Pad	1	2

Center Mount Front Rigging (After 12/09/08) (CTMT-J/CTMT-FJ/CTMT/CTMT-F/CTMT-L/CTMT-FL)

Item Number	Note	Part Number	Description	Quantity Per	
				Package	Assembly
23			Locknut (1/4-20)	1	2
24			Screw, Socket, Button Head w/ Patch (5/16-18 x 1/2")	1	2
	F	1165506	Kit, Bracket, Calf Pad Mounting w/ Hardware	1	1
8			Screw, Shoulder Hex Socket Head (5/16" x 3", 1/4-20)	1	1
9			Washer (1/4 x 1/2 x 1/16")	1	1
10			Locknut (1/4-20)	1	1
18			Washer, Nylon (5/16 x 7/8 x 1/8")	1	2
19			Bracket, Calf Pad, Black	1	1
<p>NOTE: A - Includes items 2-15. As of 12/15/10 item #1 was revised to accommodate adjustable width footplate hardware. If footplates are needed see item #27. B - Includes items 2-15 and 17-25. As of 12/15/10 item #16 was revised to accommodate adjustable width footplate hardware. If footplates are needed see item #27. C - Includes items 17 and 25. D - Includes a pair of item 29. E - Not shown. Includes items 17 and 20-24. F - Not shown. Includes items 8-10, 18 and 19. G - Chairs built before 12/15/10 will require items 26 and 27 in order to convert to the new CTMT Front Rigging design.</p>					

**Center Mount Front Rigging
(After 12/09/08)
(CTMT-J/CTMT-FJ/CTMT/CTMT-F/CTMT-L/CTMT-FL)**

#26 Extension Tube Kits Before 12/15/10

Front Rigging Side	Short 9-1/2" - 11" Range	Medium 11" - 15" Range	Long 14" - 18" Range
Right	1161984-NLA See Note(s) A	1161986-NLA See Note(s) A	1169821-NLA See Note(s) A
Left	1161985-NLA See Note(s) A	1161987-NLA See Note(s) A	1169822-NLA See Note(s) A

NOTE: A - Includes items 5-7. The Extension Tube Kits are used for non-adjustable width footplate hardware only.

#26 Extension Tube Kits After 12/14/10

Front Rigging Side	Short 9-1/2" - 11" Range	Medium 11" - 15" Range	Long 14" - 18" Range
Right	1170677 See Note(s) A	1170679 See Note(s) A	1170681 See Note(s) A
Left	1170678 See Note(s) A	1170680 See Note(s) A	1170682 See Note(s) A

NOTE: A - Includes items 5-7. The Extension Tube Kits are used for adjustable width footplate hardware only.

**Center Mount Front Rigging
(After 12/09/08)
(CTMT-J/CTMT-FJ/CTMT/CTMT-F/CTMT-L/CTMT-FL)**

#27 Footplate Kits Before 12/15/10

Footplate Side	Small 5-1/4" W x 7-1/2" L	Medium 5-1/2" W x 9-1/2" L	Large 5-7/8" W x 11-1/2" L
Right	1161988 See Note(s) A	1161990 See Note(s) A	1161992 See Note(s) A
Left	1161989 See Note(s) A	1161991 See Note(s) A	1161993 See Note(s) A

NOTE: A - Includes items 10-13 and 16-18. The footplate mounting hardware included is for non-adjustable width only.

#27 Footplate Kits After 12/14/10

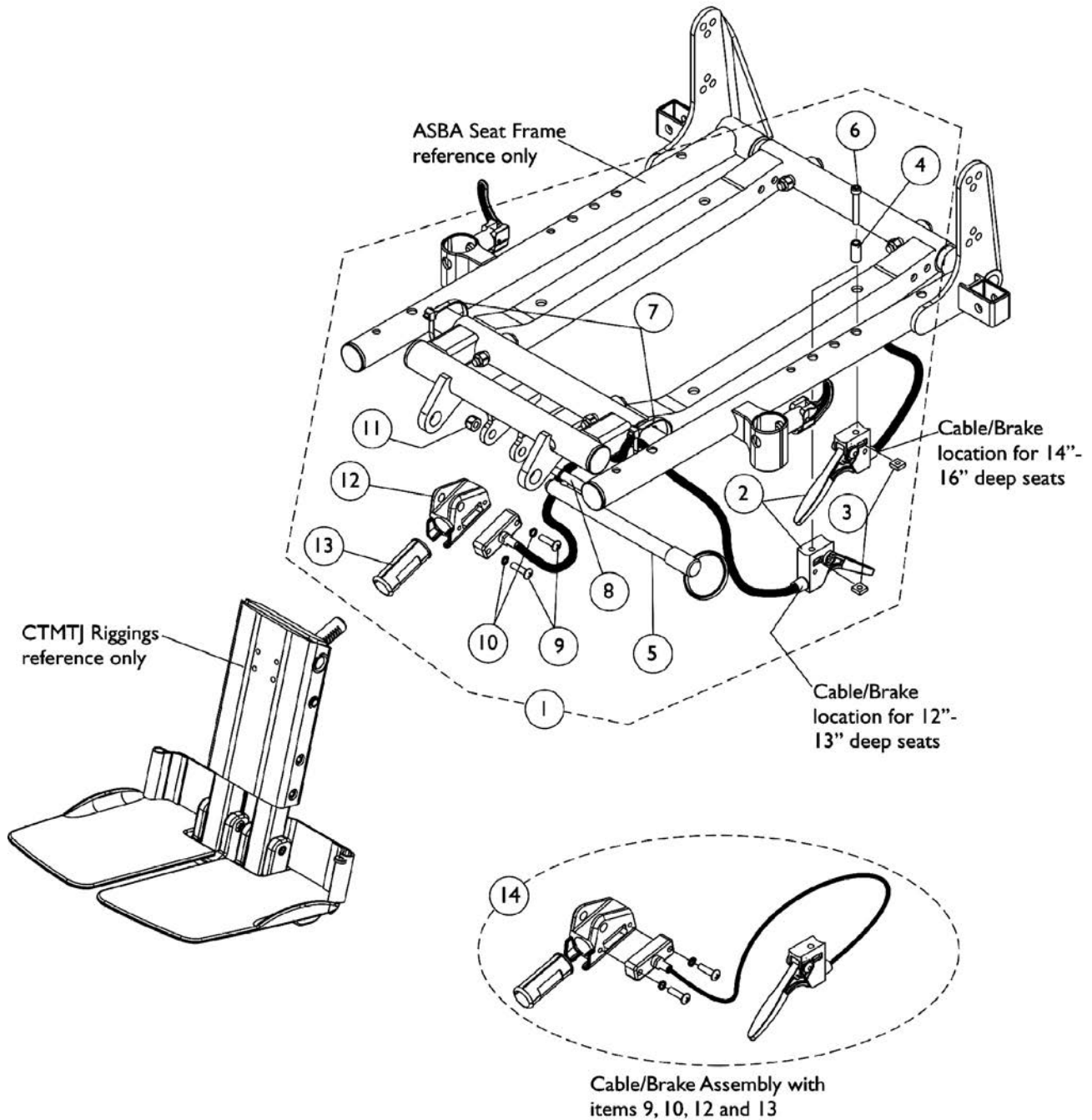
Footplate Side	Small 5-1/4" W x 7-1/2" L	Medium 5-1/2" W x 9-1/2" L	Large 5-7/8" W x 11-1/2" L
Right	1170683 See Note(s) A	1170685 See Note(s) A	1170687 See Note(s) A
Left	1170684 See Note(s) A	1170686 See Note(s) A	1170688 See Note(s) A

NOTE: A - Includes items 10-18 and the Adjustable Width Footplate Instruction Sheet (Not Shown). The footplate mounting hardware included is for adjustable width only.

Center Mount Rigging Mounting Hardware (CTMTJ and CTMT)

Before 10/27/04

NOTE: All Center Mount Riggings before 10/27/04 use the same mounting hardware.



Center Mount Rigging Mounting Hardware (CTMTJ and CTMT) Before 10/27/04

NOTE: All Center Mount Riggings before 10/27/04 use the same mounting hardware.

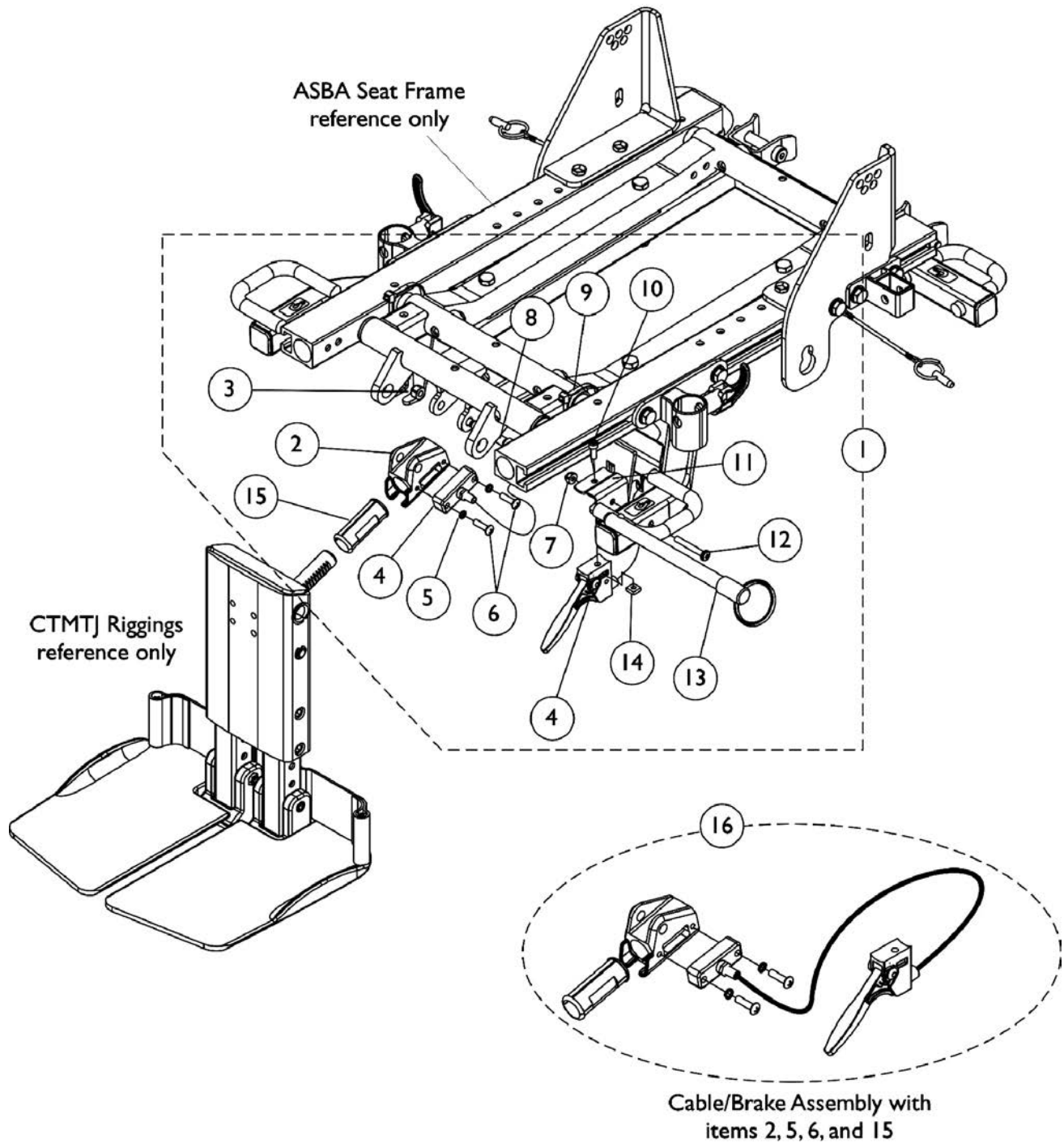
Item Number	Note	Part Number	Description	Quantity Per	
				Package	Assembly
1	A,C	1117264-NLA	NLA - Kit, Center Mount Rigging Mounting Hardware	1	1
2			Cable/Brake Assembly	1	1
3			Nut, Square (#10-32)	1	1
4			NLA - Spacer (3/16 x 5/16 x 3/4")	1	1
5			NLA - Pin, Quick Release (5" Long)	1	1
6			NLA - Screw, Socket Head (#10-32 x 1-1/4")	1	1
7			Tie Wrap (11-1/2" L)	1	2
8			Screw, Shoulder Hex Socket Head (5/16" x 1-5/8", 1/4-20)	1	1
9			Screw, Phillips Pan Head (#10-32 x 11/16")	1	2
10			NLA - Washer, Lock (3/16 x 5/16 x 1/16")	1	2
11			Locknut (1/4-20)	1	1
12			Housing, Ratchet	1	1
13			Bearing, Glide	1	2
14	B	1121079	Cable/Brake Assembly w/ Ratchet Housing and Glide Bearing	1	1

NOTE: A - Includes items 2-13
 B - Includes Cable Assembly and items 9,10,12, and 13
 C - Ratchet Housing Material changed from aluminum to steel as of 1/8/04

Center Mount Rigging Mounting Hardware (CTMTJ and CTMT)

After 10/26/04

NOTE: All Center Mount Riggings after 10/26/04 use the same mounting hardware.



Center Mount Rigging Mounting Hardware (CTMTJ and CTMT) After 10/26/04

NOTE: All Center Mount Riggings after 10/26/04 use the same mounting hardware.

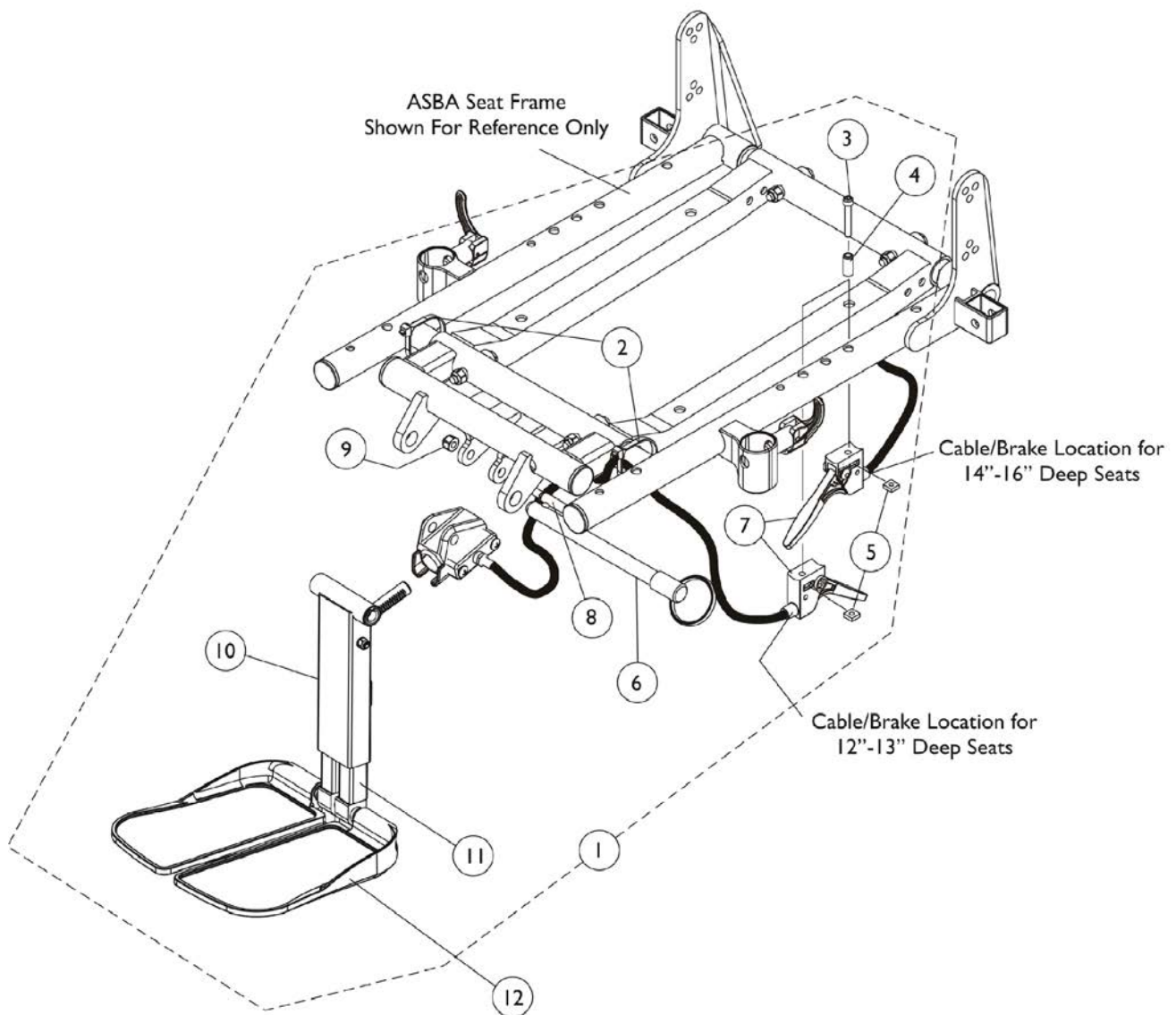
Item Number	Note	Part Number	Description	Quantity Per	
				Package	Assembly
1	A	1127160-NLA	NLA - Kit, Center Mount Rigging Mounting Hardware	1	1
2		1113389	Housing, Ratchet	1	1
3		1025736	Locknut (1/4-20)	1	1
4		1113622	Cable/Brake Assembly	1	1
5		10141X012-NLA	NLA - Washer, Lock (3/16 x 5/16 x 1/16")	1	2
6		40163X008	Screw, Phillips Pan Head (#10-32 x 11/16")	1	2
7		1025731	Locknut (#10-32)	1	1
8		1071736	Screw, Shoulder Hex Socket Head (5/16" x 1-5/8", 1/4-20)	1	1
9		1095502-NLA	NLA - Package, Tie Wrap (11-1/2" L)	10	1
10		1056087-NLA	NLA - Screw, Socket Head (#10-32 x 1/2")	1	1
11		1127161-NLA	NLA - Bracket, Cable Release Mounting, Black	1	1
12		1026107	Screw, Phillips Pan Head (#10-32 x 1-3/8")	1	1
13		1113375-NLA	NLA - Pin, Quick Release (5" Long)	1	1
14		1086207	Nut, Square (#10-32)	1	1
15		1113383	Bearing, Glide	1	2
16	B	1121079	Cable/Brake Assembly w/ Ratchet Housing and Glide Bearing	1	1

NOTE: A - Includes items 2-15
B - Includes Cable Assembly and items 2,5,6, and 15

Front Rigging - Center Mount Rigging Kit (CTMTJ and CTMT)

Before 10/27/04

For exploded assembly views of non-adjustable width footplate hardware (Before 12/15/10) refer to category titled, "Center Mount Rigging (CTMT-J/CTMT-FJ/CTMT/CTMT-F/CTMT-L/CTMT-FL) - After 12/09/08".



Front Rigging - Center Mount Rigging Kit (CTMTJ and CTMT)

Before 10/27/04

For exploded assembly views of non-adjustable width footplate hardware (Before 12/15/10) refer to category titled, "Center Mount Rigging (CTMT-J/CTMT-FJ/CTMT/CTMT-F/CTMT-L/CTMT-FL) - After 12/09/08".

Item Number	Note	Part Number	Description	Quantity Per	
				Package	Assembly
1	A,B	1123022-NLA	NLA - Kit, Adjustable Length Junior Center Mount Rigging (9-1/2"-11" Range)	1	1
1	A,B	1121009-NLA	NLA - Kit, Adjustable Length Center Mount Rigging (11"-15" Range)	1	1
2		98007X005	Tie Wrap (11-1/2" L)	1	2
3		1028513-NLA	NLA - Screw, Socket Head (#10-32 x 1-1/4")	1	1
4		1113236-NLA	NLA - Spacer (3/16 x 5/16 x 3/4")	1	1
5		1086207	Nut, Square (#10-32)	1	1
6		1113375-NLA	NLA - Pin, Quick Release (5" Long)	1	1
7		1121079	Cable/Brake Assembly w/ Ratchet Housing and Glide Bearing	1	1
8		1071736	Screw, Shoulder Hex Socket Head (5/16" x 1-5/8", 1/4-20)	1	1
9		1025736	Locknut (1/4-20)	1	1
10	C	1118368	Instruction Sheet, Center Mount Rigging Kit	1	1
10		1121990	Kit, Center Mount Front Rigging, Junior (CTMTJ/CTMT-FJ) ASBA/ADJASBA (9-1/2" - 11" Range)	1	1
			Rack, Center Mount Rigging Angle Adjustable	1	1
			Support, Footrest, Center Mount, Black - Short	1	1
			Bearing, Flange (1/2 x 13/16 x 1/2")	1	2
			Cleat, Button Head	1	2
			Screw, Socket, Button Head w/ Patch (5/16-18 x 3/4")	1	6
			Tube, Extension, Footrest, Short, Black - Right	1	1
			Tube, Extension, Footrest, Short, Black - Left	1	1
			Screw, Shoulder Hex Socket Head (5/16" x 2-1/2", 1/4-20)	1	1
			Washer (1/4 x 1/2 x 1/16")	1	1
			Locknut (1/4-20)	1	1
			NLA - Washer, Wave (17/32 x 3/4 x 1/64")	1	2
			Screw, Socket Button Head (1/4-20 x 1-1/2")	1	2
			Washer, Nylon (5/16 x 11/16 x 1/16")	1	2
			Washer (1/2 x 7/8 x 3/64")	1	2
			Spacer, Nylon (1/2 x 3/4 x 1/4")	1	8
10		1117262	Kit, Center Mount Front Rigging (CTMT) (CTMT-F), ASBA/ADJASBA (11" - 15" Range)	1	1
			Rack, Center Mount Rigging Angle Adjustable	1	1
			Support, Footrest, Center Mount, Black - Regular	1	1
			Bearing, Flange (1/2 x 13/16 x 1/2")	1	2
			Cleat, Button Head	1	2

Front Rigging - Center Mount Rigging Kit (CTMTJ and CTMT)

Before 10/27/04

For exploded assembly views of non-adjustable width footplate hardware (Before 12/15/10) refer to category titled, "Center Mount Rigging (CTMT-J/CTMT-FJ/CTMT/CTMT-F/CTMT-L/CTMT-FL) - After 12/09/08".

Item Number	Note	Part Number	Description	Quantity Per	
				Package	Assembly
			Screw, Socket, Button Head w/ Patch (5/16-18 x 3/4")	1	6
			Tube, Extension, Footrest, Medium, Black - Right	1	1
			Tube, Extension, Footrest, Medium, Black - Left	1	1
			Screw, Shoulder Hex Socket Head (5/16" x 2-1/2", 1/4-20)	1	1
			Washer (1/4 x 1/2 x 1/16")	1	1
			Locknut (1/4-20)	1	1
			NLA - Washer, Wave (17/32 x 3/4 x 1/64")	1	2
			Screw, Socket Button Head (1/4-20 x 1-1/2")	1	2
			Washer, Nylon (5/16 x 11/16 x 1/16")	1	2
			Washer (1/2 x 7/8 x 3/64")	1	2
			Spacer, Nylon (1/2 x 3/4 x 1/4")	1	8
11		See Chart	#11 Extension Tube Kits After 12/14/10	1	1
12		See Chart	#12 Footplate Kits After 12/14/10	1	1
NOTE: A - Includes items 2-11 and instruction sheet. B - As of 12/15/10 item #10 was revised to accommodate adjustable width footplate hardware. If footplates are needed see item #12. C - Not Shown					

Front Rigging - Center Mount Rigging Kit (CTMTJ and CTMT)

Before 10/27/04

For exploded assembly views of non-adjustable width footplate hardware (Before 12/15/10) refer to category titled, "Center Mount Rigging (CTMT-J/CTMT-FJ/CTMT/CTMT-F/CTMT-L/CTMT-FL) - After 12/09/08".

#11 Extension Tube Kits After 12/14/10

Front Rigging Side	Short 9-1/2" - 11" Range	Medium 11" - 15" Range
Right	1170677 See Note(s) A	1170679 See Note(s) A
Left	1170678 See Note(s) A	1170680 See Note(s) A

NOTE: A - The Extension Tube Kits are used for adjustable width footplate hardware only.

#12 Footplate Kits After 12/14/10

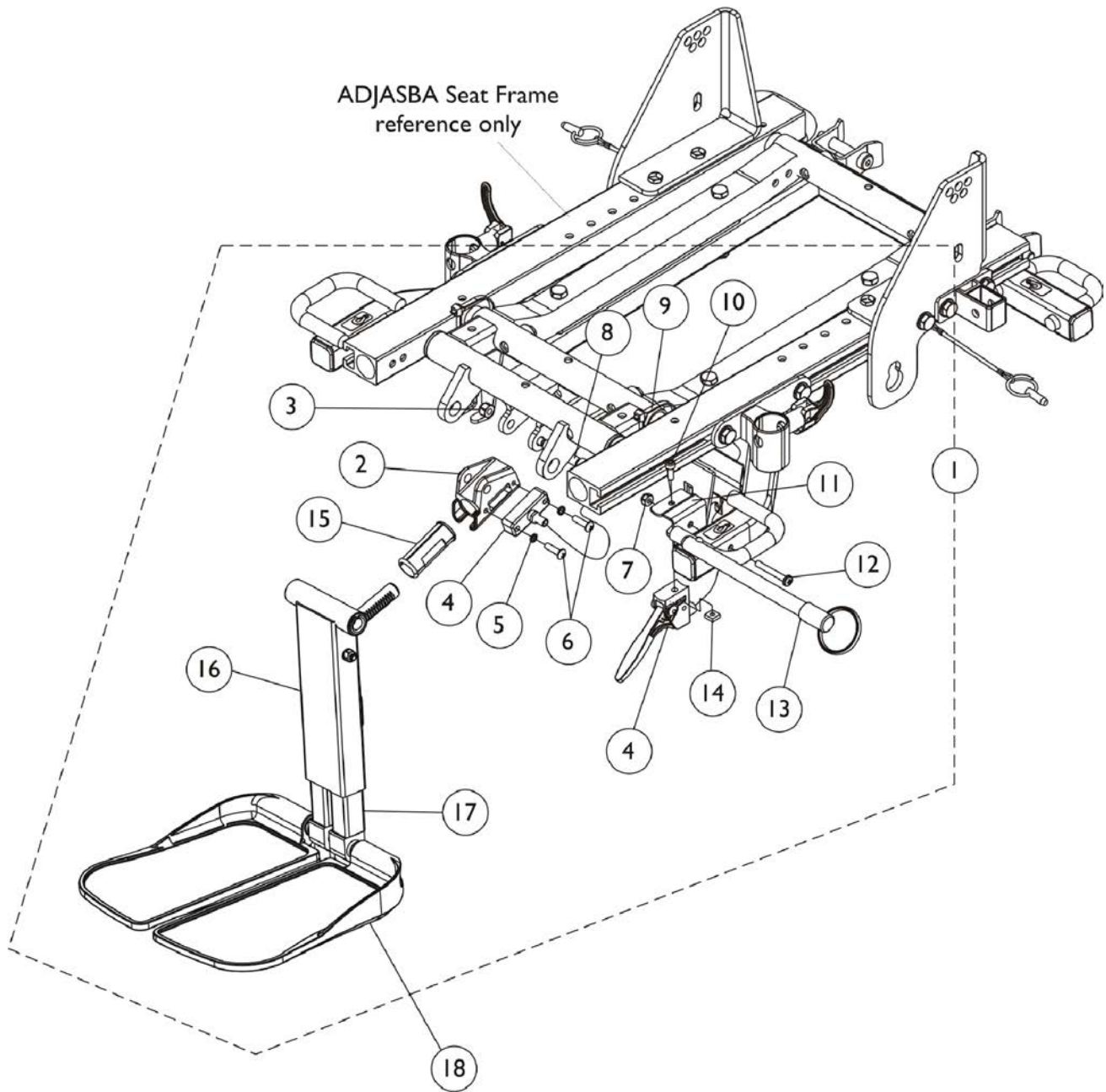
Footplate Side	Small 5-1/4" W x 7-1/2" L	Medium 5-1/2" W x 9-1/2" L	Large 5-7/8" W x 11-1/2" L
Right	1170683 See Note(s) A	1170685 See Note(s) A	1170687 See Note(s) A
Left	1170684 See Note(s) A	1170686 See Note(s) A	1170688 See Note(s) A

NOTE: A - The footplate mounting hardware included is for adjustable width only.

Front Rigging - Center Mount Rigging Kit (CTMTJ and CTMT)

After 10/26/04

For exploded assembly views of non-adjustable width footplate hardware (Before 12/15/10) refer to category titled, "Center Mount Rigging (CTMT-J/CTMT-FJ/CTMT/CTMT-F/CTMT-L/CTMT-FL) - After 12/09/08".



Front Rigging - Center Mount Rigging Kit (CTMTJ and CTMT)

After 10/26/04

For exploded assembly views of non-adjustable width footplate hardware (Before 12/15/10) refer to category titled, "Center Mount Rigging (CTMT-J/CTMT-FJ/CTMT/CTMT-F/CTMT-L/CTMT-FL) - After 12/09/08".

Item Number	Note	Part Number	Description	Quantity Per	
				Package	Assembly
1	A,B	1129462-NLA	NLA - Kit, Adjustable Length Junior Center Mount Rigging (9-1/2"-11" Range)	1	1
1	A,B	1129461-NLA	NLA - Kit, Adjustable Length Center Mount Rigging (11"-15" Range)	1	1
2		1113389	Housing, Ratchet	1	1
3		1025736	Locknut (1/4-20)	1	1
4		1113622	Cable/Brake Assembly	1	1
5		10141X012-NLA	NLA - Washer, Lock (3/16 x 5/16 x 1/16")	1	2
6		40163X008	Screw, Phillips Pan Head (#10-32 x 11/16")	1	2
7		1025731	Locknut (#10-32)	1	1
8		1071736	Screw, Shoulder Hex Socket Head (5/16" x 1-5/8", 1/4-20)	1	1
9		1095502-NLA	NLA - Package, Tie Wrap (11-1/2" L)	10	1
10		1056087-NLA	NLA - Screw, Socket Head (#10-32 x 1/2")	1	1
11		1127161-NLA	NLA - Bracket, Cable Release Mounting, Black	1	1
12		1026107	Screw, Phillips Pan Head (#10-32 x 1-3/8")	1	1
13		1113375-NLA	NLA - Pin, Quick Release (5" Long)	1	1
14		1086207	Nut, Square (#10-32)	1	1
15		1113383	Bearing, Glide	1	2
	C	1118368	Instruction Sheet, Center Mount Rigging Kit	1	1
16		1121990	Kit, Center Mount Front Rigging, Junior (CTMTJ/CTMT-FJ) ASBA/ADJASBA (9-1/2" - 11" Range)	1	1
			Rack, Center Mount Rigging Angle Adjustable	1	1
			Support, Footrest, Center Mount, Black - Short	1	1
			Bearing, Flange (1/2 x 13/16 x 1/2")	1	2
			Cleat, Button Head	1	2
			Screw, Socket, Button Head w/ Patch (5/16-18 x 3/4")	1	6
			Tube, Extension, Footrest, Short, Black - Right	1	1
			Tube, Extension, Footrest, Short, Black - Left	1	1
			Screw, Shoulder Hex Socket Head (5/16" x 2-1/2", 1/4-20)	1	1
			Washer (1/4 x 1/2 x 1/16")	1	1
			Locknut (1/4-20)	1	1
			NLA - Washer, Wave (17/32 x 3/4 x 1/64")	1	2
			Screw, Socket Button Head (1/4-20 x 1-1/2")	1	2
			Washer, Nylon (5/16 x 11/16 x 1/16")	1	2
			Washer (1/2 x 7/8 x 3/64")	1	2
			Spacer, Nylon (1/2 x 3/4 x 1/4")	1	8

Front Rigging - Center Mount Rigging Kit (CTMTJ and CTMT)

After 10/26/04

For exploded assembly views of non-adjustable width footplate hardware (Before 12/15/10) refer to category titled, "Center Mount Rigging (CTMT-J/CTMT-FJ/CTMT/CTMT-F/CTMT-L/CTMT-FL) - After 12/09/08".

Item Number	Note	Part Number	Description	Quantity Per	
				Package	Assembly
16		1117262	Kit, Center Mount Front Rigging (CTMT) (CTMT-F), ASBA/ADJASBA (11" - 15" Range)	1	1
			Rack, Center Mount Rigging Angle Adjustable	1	1
			Support, Footrest, Center Mount, Black - Regular	1	1
			Bearing, Flange (1/2 x 13/16 x 1/2")	1	2
			Cleat, Button Head	1	2
			Screw, Socket, Button Head w/ Patch (5/16-18 x 3/4")	1	6
			Tube, Extension, Footrest, Medium, Black - Right	1	1
			Tube, Extension, Footrest, Medium, Black - Left	1	1
			Screw, Shoulder Hex Socket Head (5/16" x 2-1/2", 1/4-20)	1	1
			Washer (1/4 x 1/2 x 1/16")	1	1
			Locknut (1/4-20)	1	1
			NLA - Washer, Wave (17/32 x 3/4 x 1/64")	1	2
			Screw, Socket Button Head (1/4-20 x 1-1/2")	1	2
			Washer, Nylon (5/16 x 11/16 x 1/16")	1	2
			Washer (1/2 x 7/8 x 3/64")	1	2
			Spacer, Nylon (1/2 x 3/4 x 1/4")	1	8
17		See Chart	#17 Extension Tube Kits After 12/14/10	1	1
18		See Chart	#18 Footplate Kits After 12/14/10	1	1
NOTE: A - Includes items 2-16 plus instruction sheet B - As of 12/15/10 item #16 was revised to accommodate adjustable width footplate hardware. If footplates are needed see item #18. C - Not Shown					

Front Rigging - Center Mount Rigging Kit (CTMTJ and CTMT)

After 10/26/04

For exploded assembly views of non-adjustable width footplate hardware (Before 12/15/10) refer to category titled, "Center Mount Rigging (CTMT-J/CTMT-FJ/CTMT/CTMT-F/CTMT-L/CTMT-FL) - After 12/09/08".

#17 Extension Tube Kits After 12/14/10

Front Rigging Side	Short 9-1/2" - 11" Range	Medium 11" - 15" Range
Right	1170677 See Note(s) A	1170679 See Note(s) A
Left	1170678 See Note(s) A	1170680 See Note(s) A

NOTE: A - The Extension Tube Kits are used for adjustable width footplate hardware only.

#18 Footplate Kits After 12/14/10

Footplate Side	Small 5-1/4" W x 7-1/2" L	Medium 5-1/2" W x 9-1/2" L	Large 5-7/8" W x 11-1/2" L
Right	1170683 See Note(s) A	1170685 See Note(s) A	1170687 See Note(s) A
Left	1170684 See Note(s) A	1170686 See Note(s) A	1170688 See Note(s) A

NOTE: A - The footplate mounting hardware included is for adjustable width only.

MK6i Electronics are contained in a separate catalog. See Catalog titled "Electronics MK6i" Form # 06-110.

If you are looking for **MK6i™ Electronics** introduced to the Pronto® M71™ jr. with SureStep™ on or about 10/16/06

The parts catalog information is now divided into two separate catalogs.

Web Page

The MK6i™ Electronics information can be found on the Invacare web page by selecting “Electronics MK6i™” in the “Select Parts Catalog” drop down

INVACARE
Yes, you can.

INVACARE HOME | NEW SEARCH

Select Product Group: Power Wheelchairs & Scooters

Select Parts Catalog: Electronics MK6i™

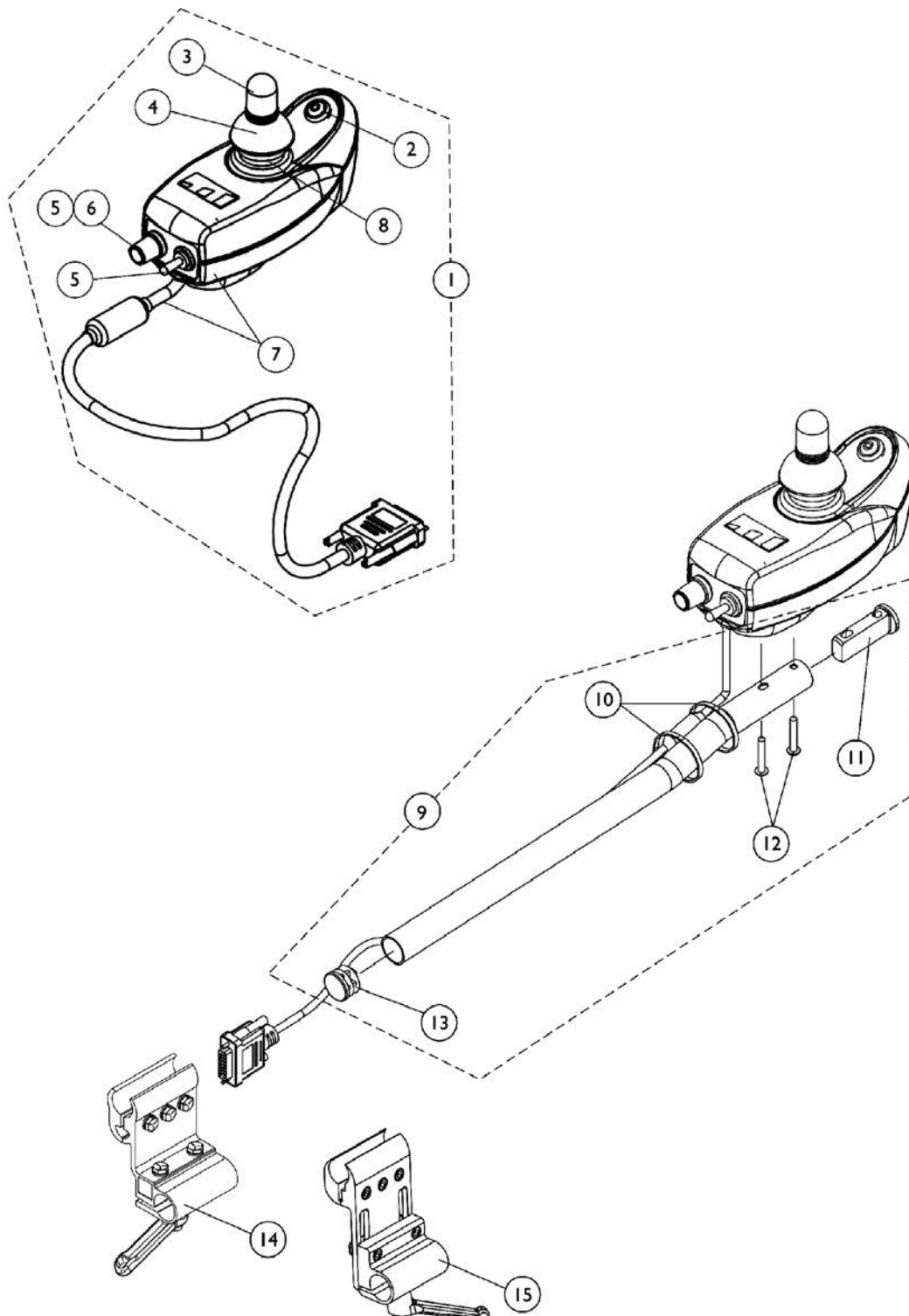
Select Page In Catalog: -Select- Go

Catalog Literature: [Archived Parts Books](#) | [Complete Parts PDF](#) |

Printed Catalog

The MK6i™ Electronics information can be found in printed copy at our Literature Fulfillment Center listed under form # 06-110 and titled “MK6i™ Electronics”.

MK5 DPJ Joystick and Mounting Hardware

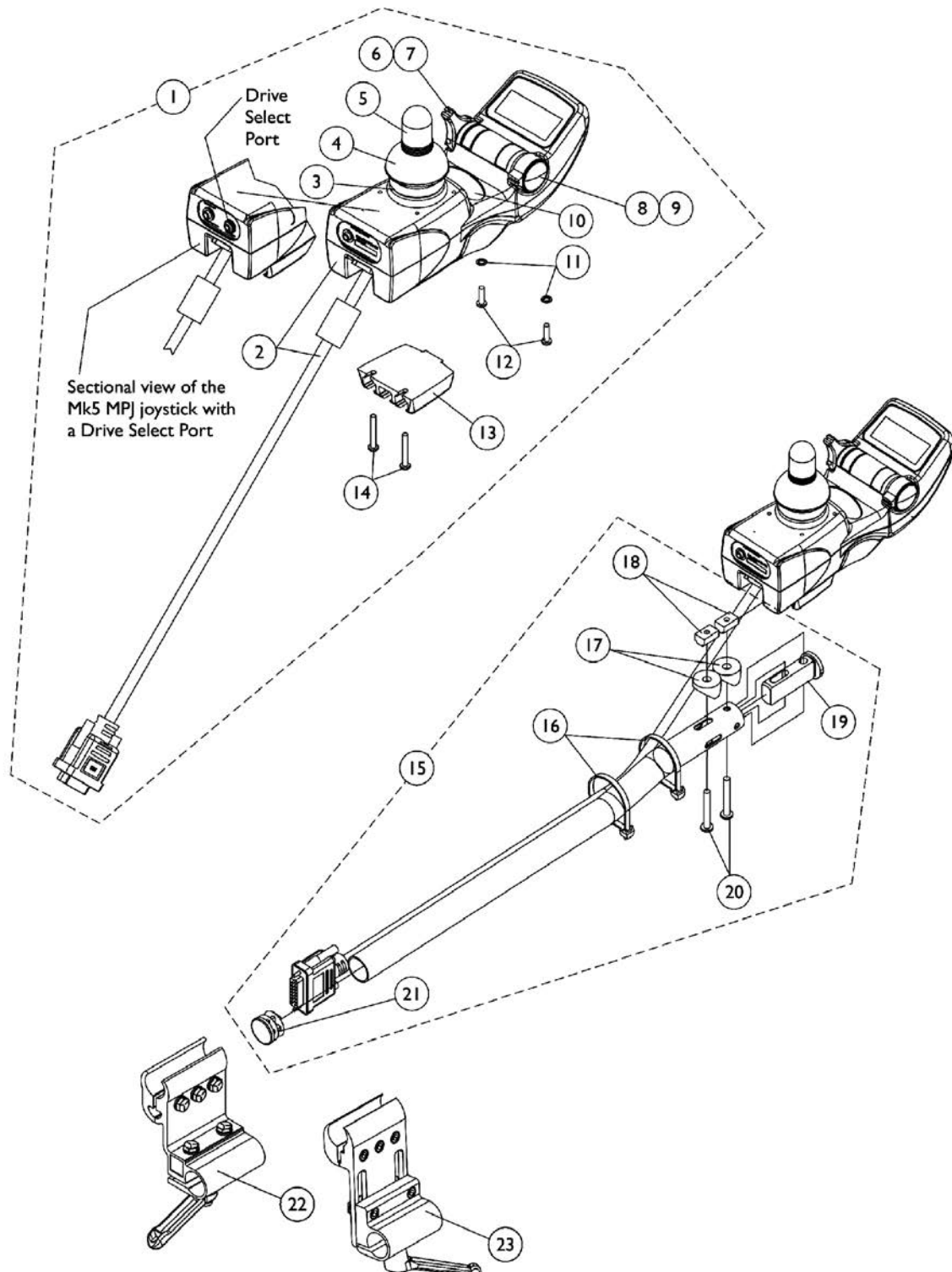


MK5 DPJ Joystick and Mounting Hardware

Item Number	Note	Part Number	Description	Quantity Per	
				Package	Assembly
1	A,G C,H	1112980E-NLA	NLA - WARR RPLMT - Joystick, MK5 DPJ	1	1
		1165489-NLA	NLA - Kit, MK5 DPJ to MPJ Conversion	1	1
		NLA - Joystick, MK5 MPJ	1	1	
		NLA - Joystick Offset Tube w/ Hardware, Black (1/2")	1	1	
2	F	1119441-NLA	NLA - Switch Assembly, Mode	1	1
3		1040217	Knob, Joystick Rubber, Black	1	1
4		1040218	Skirt, Joystick Rubber, Black	1	1
5		1025516-NLA	NLA - Knob, Speed Control	1	1
6		1119440-NLA	NLA - Switch Assembly, Power/ Drive Select/Speed Potentiometer NOTE:Power/Drive Select and Speed Potentiometer switches are assembled to one connector and sold as one assembly	1	1
7		1119443-NLA	NLA - Bottom Housing w/ Cable Assembly, MK5 DPJ/ SPJ-80	1	1
8		1115235-NLA	NLA - Inductive, MK5 MPJ/ DPJ/ SPJ-80 Joystick	1	1
9	B	1093069	Kit, 1/2" Offset Joystick Tube with Hardware	1	1
10		1095502-NLA	NLA - Package, Tie Wrap (11-1/2" L)	10	2
11		1093063	Spacer, Joystick Tube, Black	1	1
12		1025714	Screw, Phillips Pan Head (#10-32 x 1-1/8")	1	2
13		1027095	Plug Button, Black (7/8")	1	1
14	E	1093071	Clamp, Fixed Height Joystick Tube	1	1
15	D,E	1139422	Clamp, Height Adjustable Joystick Tube (ARM250)	1	1
		C	1006270	Extension, Joystick, "T" Style (1560) (4" W x 5-1/2" L)	1
		C	1006271	Extension, Joystick, Straight Style (1561) (1/2" W x 5" L)	1

NOTE: A - Includes items 2-8. Hardware is not included.
 B - Includes items 10-13.
 C - Not Shown.
 D - Introduced 10/31/05 as option (ARM250) and can be used to replace a Fixed Height Joystick Clamp in the field
 E - Individual components are non-saleable.
 F - Mode switch is no longer available for aftermarket sales. Please contact Invacare Customer Service to obtain a return authorization number for repair/estimate for repair.
 G - No longer available. Replaced with 1165489.
 H - Kit is No Longer Available. You must now order the MK5 MPJ Joystick separately from the Mounting Hardware. Choose either the Joystick Tube w/ Hardware or the Quad Link w/ Hardware. See Category titled, "Electronics - MK5 MPJ Joystick & Mounting Hardware".

MK5 MPJ Joystick and Mounting Hardware

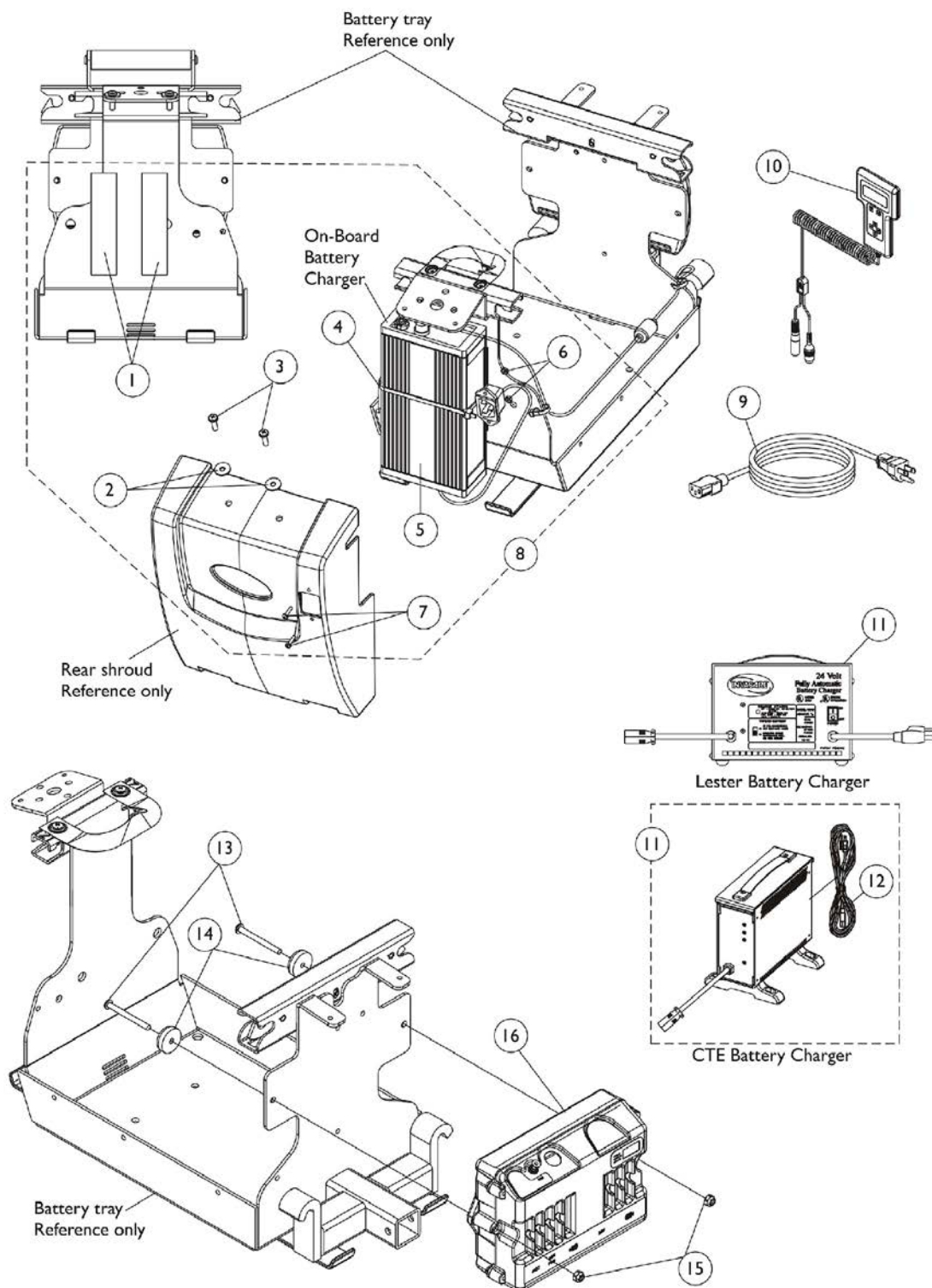


MK5 MPJ Joystick and Mounting Hardware

Item Number	Note	Part Number	Description	Quantity Per	
				Package	Assembly
1	A	1115740-NLA	NLA - Joystick, MK5 MPJ	1	1
1	A	1115740E-NLA	NLA - WARR RPLMT - Joystick, MK5 MPJ	1	1
1	A	1122214-NLA	NLA - Joystick, MK5 MPJ with Drive Select Port	1	1
2		1117038-NLA	NLA - Joystick Bottom and Cable Assembly, MK5 MPJ	1	1
3		1115235-NLA	NLA - Inductive, MK5 MPJ/ DPJ/ SPJ-80 Joystick	1	1
4		1040218	Skirt, Joystick Rubber, Black	1	1
5		1040217	Knob, Joystick Rubber, Black	1	1
6		1115237-NLA	NLA - Switch Assembly, Power/ Drive Select MK5 MPJ	1	1
7		1115214-NLA	NLA - Knob, Power/Drive Select - MK5/MK6i MPJ	1	1
8		1115239-NLA	NLA - Potentiometer Assembly, Speed MK5 MPJ	1	1
9		1115233-NLA	NLA - Knob, Speed Potentiometer - MK5 MPJ	1	1
9		1139998-NLA	NLA - Knob, Speed Adjustment, Black - MK6i	1	1
10		1095497	Decal, Invacare Logo (1.6)	1	1
11		1008834-NLA	NLA - Lockwasher, Internal Tooth (#6)	1	2
12		1115242-NLA	NLA - Screw, Torx Thread Forming (#6-32 x 1/2")	1	2
13		1115503-NLA	NLA - Bracket, T-Nut Mounting	1	1
14		1115244	Screw, Torx Thread Forming (#6-32 x 1")	1	2
15	B	1115860-NLA	NLA - Joystick Offset Tube w/ Hardware, Black (1/2")	1	1
16		1095502-NLA	NLA - Package, Tie Wrap (11-1/2" L)	10	2
17		40157X019-NLA	NLA - Spacer, Coved (1/4 x 7/8 x 7/16")	1	2
18		1117216-NLA	NLA - T-Nut (#10-32)	1	2
19		1093063	Spacer, Joystick Tube, Black	1	1
20		1026107	Screw, Phillips Pan Head (#10-32 x 1-3/8")	1	2
21		1027095	Plug Button, Black (7/8")	1	1
22		1093071	Clamp, Fixed Height Joystick Tube	1	1
23	D	1139422	Clamp, Height Adjustable Joystick Tube (ARM250)	1	1
	C	1006270	Extension, Joystick, "T" Style (1560) (4" W x 5-1/2" L)	1	1
	C	1006271	Extension, Joystick, Straight Style (1561) (1/2" W x 5" L)	1	1

NOTE: A - Includes items 2-14
 B - Includes items 16-21
 C - Not Shown
 D - Introduced 10/31/05 as option (ARM250) and can be used to replace a Fixed Height Joystick Clamp in the field

MK5 EX Controller, Programmer and Battery Charger

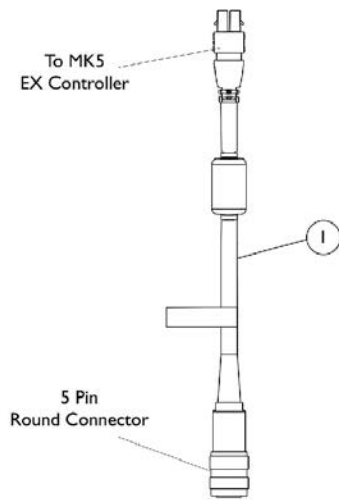


MK5 EX Controller, Programmer and Battery Charger

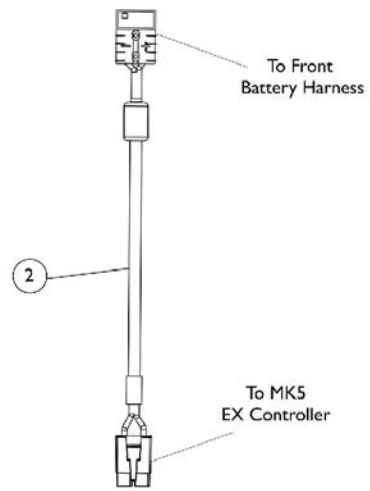
Item Number	Note	Part Number	Description	Quantity Per	
				Package	Assembly
1		1095507-NLA	NLA - Fastener, Hook and Loop Adhesive (2" W x 12" L)	1	2
2		1070587	Washer, Flat (3/16 x 5/8 x 1/16")	1	2
3		1028755	Screw, Phillips Pan Head (#10-32 x 5/8")	1	2
4		1095502-NLA	NLA - Package, Tie Wrap (11-1/2" L)	10	2
5		1122285-NLA	NLA - Charger, Battery with Power Cord 3 Amp, On-Board	1	1
6		P0870X000	Nut, Hex Keys (#4-40)	1	2
7		1021742	Screw, Phillips Pan Head (#4-40 x 1/2")	1	2
8	A	1122286-NLA	NLA - Kit, Battery Charger with Hardware - 3 Amp. (On-Board)	1	1
9		1121086	Cord, AC Power, 115VAC, 3 Prong On-Board (6' 6-1/2" L)	1	1
10		1109091-NLA	NLA - Programmer, Remote	1	1
11	C,E	1053161-NLA	NLA - Charger, Battery, 8 Amp, 115vac, Off Board Dual Mode Round Plug, Lester	1	1
11	B,C	1123249	Charger, Battery, 8 Amp. 115vac (Off Board) Single Mode Round Plug w/ AC Power Line Cord	1	1
11	B,C	1123249E-NLA	NLA - WARR RPLMT - Charger, Battery, 8 Amp, 115VAC (Off Board) Single Mode Round Plug w/ AC Power Line Cord	1	1
12	D	1089627-NLA	NLA - Cord, AC Power, 115VAC, 2 Prong Off-Board (11' 6" L)	1	1
12		1121086	Cord, AC Power, 115VAC, 3 Prong On-Board (6' 6-1/2" L)	1	1
13		1121493-NLA	NLA - Screw, Socket Button Head (10-32 x 2")	1	2
14		1109471-NLA	NLA - Bumper with Washer	1	2
15		1025731	Locknut (#10-32)	1	2
16		1115750-NLA	NLA - Controller, MK5 EX	1	1

NOTE: A - Includes items 1-7
 B - CTE charger introduced 4/1/04. Used on Gel Cell or AGM (Absorbed Glass Mat) batteries. For wet cell batteries refer to the Lester charger.
 C - Lester and the CTE battery chargers are optional on-chair
 D - No longer available as a service part. Please use 1121086 as its replacement.
 E - Use Battery Charger part number 1123249 as a replacement.

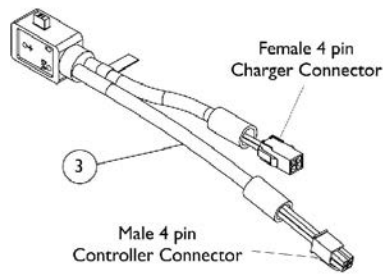
MK5 Controller Cables



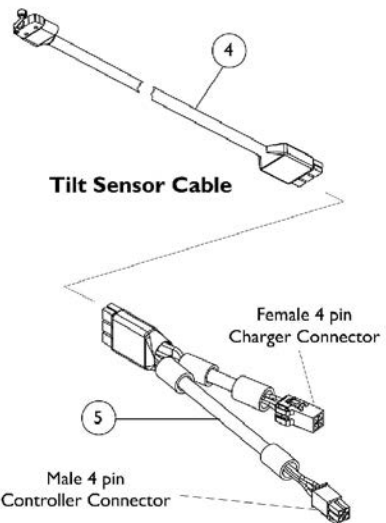
MK5 EX Controller Option Cable



Battery Extension Cable



Power Option Cable



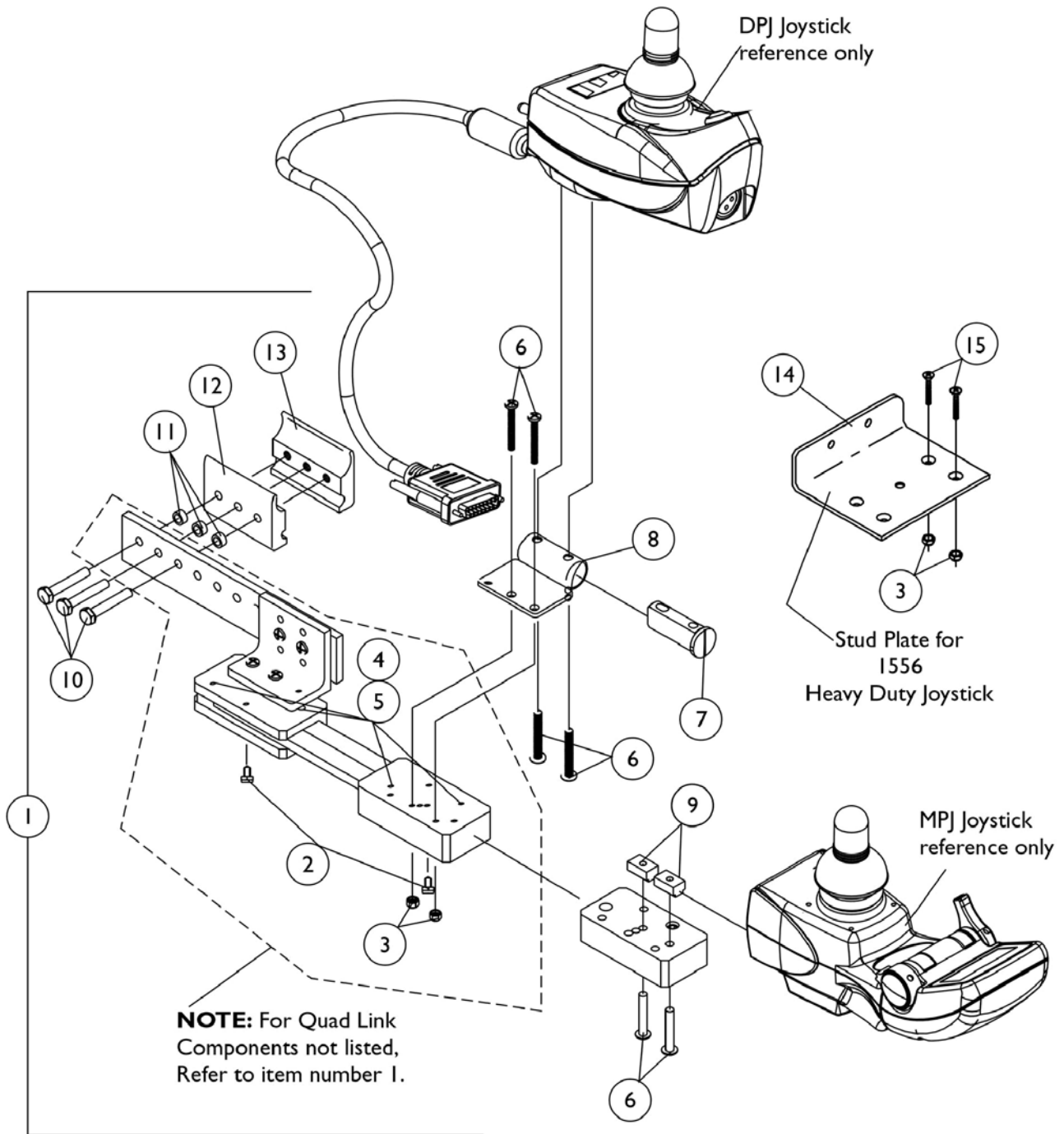
Tilt Sensor Splitter Cable

MK5 Controller Cables

Item Number	Note	Part Number	Description	Quantity Per	
				Package	Assembly
1	A	1118231-NLA	NLA - Cable, MK5 EX Controller Option	1	1
2		1122199	Cable, Battery Extension, Red Connector	1	1
3	B	1123923-NLA	NLA - Cable, Power Controller Option, MK5 EX	1	1
4	C	1126122-NLA	NLA - Cable, Tilt Sensor	1	1
5	C	1126123-NLA	NLA - Cable, Splitter Tilt Sensor	1	1
NOTE: A - The 5 pin connector attaches to MKIV joystick options. B - Power Option Cable comes standard on chairs with MK5 EX controller. C - Items 4 and 5 are used in conjunction with each other.					

Quad Link Assembly

Before 10/31/05



Quad Link Assembly Before 10/31/05

Item Number	Note	Part Number	Description	Quantity Per	
				Package	Assembly
1	A	1052402-NLA	NLA - Kit, Quad Link Assembly - Right	1	1
2			NLA - Ball Plunger Assembly with Lock Washer	2	1
3			Locknut (#10-32)	1	2
4			NLA - Screw, Cap, Socket Head (#10-32 x 1/2")	1	4
5			NLA - Bushing, Bronze (3/16 x 1/4 x 1/4")	1	4
6			Screw, Phillips Pan Head (#10-32 x 1-1/8")	1	4
7			Spacer, Joystick Tube, Black	1	1
8			NLA - Stud Plate, Quad Link	1	1
10			Screw, Hex Head (1/4-20 x 1-1/2")	1	3
11			NLA - Spacer (1/4 x 3/8 x 3/16")	1	3
12			Half Clamp, Non-Threaded Holes	1	1
13			NLA - Half Clamp, Threaded Holes	1	1
1	A	1115372-NLA	NLA - Kit, Quad Link Assembly - Left	1	1
2			NLA - Ball Plunger Assembly with Lock Washer	2	1
3			Locknut (#10-32)	1	2
4			NLA - Screw, Cap, Socket Head (#10-32 x 1/2")	1	4
5			NLA - Bushing, Bronze (3/16 x 1/4 x 1/4")	1	4
6			Screw, Phillips Pan Head (#10-32 x 1-1/8")	1	4
7			Spacer, Joystick Tube, Black	1	1
8			NLA - Stud Plate, Quad Link	1	1
10			Screw, Hex Head (1/4-20 x 1-1/2")	1	3
11			NLA - Spacer (1/4 x 3/8 x 3/16")	1	3
12			Half Clamp, Non-Threaded Holes	1	1
13			NLA - Half Clamp, Threaded Holes	1	1
1	B	1117278-NLA	NLA - Kit, Quad Link Assembly - Right	1	1
2			NLA - Ball Plunger Assembly with Lock Washer	2	1
3			Locknut (#10-32)	1	2
4			NLA - Screw, Cap, Socket Head (#10-32 x 1/2")	1	4
5			NLA - Bushing, Bronze (3/16 x 1/4 x 1/4")	1	4
6			Screw, Phillips Pan Head (#10-32 x 1-1/8")	1	2
9			NLA - T-Nut (#10-32)	1	2
10			Screw, Hex Head (1/4-20 x 1-1/2")	1	3
11			NLA - Spacer (1/4 x 3/8 x 3/16")	1	3
12			Half Clamp, Non-Threaded Holes	1	1
13			NLA - Half Clamp, Threaded Holes	1	1
1	B		1117239-NLA	NLA - Kit, Quad Link Assembly - Left	1
2		NLA - Ball Plunger Assembly with Lock Washer		2	1
3		Locknut (#10-32)		1	2
4		NLA - Screw, Cap, Socket Head (#10-32 x 1/2")		1	4
5		NLA - Bushing, Bronze (3/16 x 1/4 x 1/4")		1	4
6		Screw, Phillips Pan Head (#10-32 x 1-1/8")		1	2
9		NLA - T-Nut (#10-32)		1	2
10		Screw, Hex Head (1/4-20 x 1-1/2")		1	3

Quad Link Assembly Before 10/31/05

Item Number	Note	Part Number	Description	Quantity Per	
				Package	Assembly
11			NLA - Spacer (1/4 x 3/8 x 3/16")	1	3
12			Half Clamp, Non-Threaded Holes	1	1
13			NLA - Half Clamp, Threaded Holes	1	1
1	C	1034703-NLA	NLA - Kit, Quad Link Assembly - Right	1	1
2			NLA - Ball Plunger Assembly with Lock Washer	2	1
3			Locknut (#10-32)	1	2
4			NLA - Screw, Cap, Socket Head (#10-32 x 1/2")	1	4
5			NLA - Bushing, Bronze (3/16 x 1/4 x 1/4")	1	4
10			Screw, Hex Head (1/4-20 x 1-1/2")	1	3
11			NLA - Spacer (1/4 x 3/8 x 3/16")	1	3
12			Half Clamp, Non-Threaded Holes	1	1
13			NLA - Half Clamp, Threaded Holes	1	1
14			Plate, Stud, Quad Link For 1556 Heavy Duty Joystick	1	1
15			Screw, Phillips Flat Head (#10-32 x 1-1/8")	1	2
1	C	1114866-NLA	NLA - Kit, Quad Link Assembly - Left	1	1
2			NLA - Ball Plunger Assembly with Lock Washer	2	1
3			Locknut (#10-32)	1	2
4			NLA - Screw, Cap, Socket Head (#10-32 x 1/2")	1	4
5			NLA - Bushing, Bronze (3/16 x 1/4 x 1/4")	1	4
10			Screw, Hex Head (1/4-20 x 1-1/2")	1	3
11			NLA - Spacer (1/4 x 3/8 x 3/16")	1	3
12			Half Clamp, Non-Threaded Holes	1	1
13			NLA - Half Clamp, Threaded Holes	1	1
14			Plate, Stud, Quad Link For 1556 Heavy Duty Joystick	1	1
15			Screw, Phillips Flat Head (#10-32 x 1-1/8")	1	2
2		1114863-NLA	NLA - Ball Plunger Assembly with Lock Washer	2	1
NOTE: A - Includes the Quad Link, items 2-8, 10-13 and used with a DPJ joystick B - Includes the Quad Link, items 2-6, 9-13 and used with a MPJ joystick C - includes the Quad Link, items 2-5, 10-15 and used with a 1556 Heavy Duty joystick					

Quad Link (QLA)

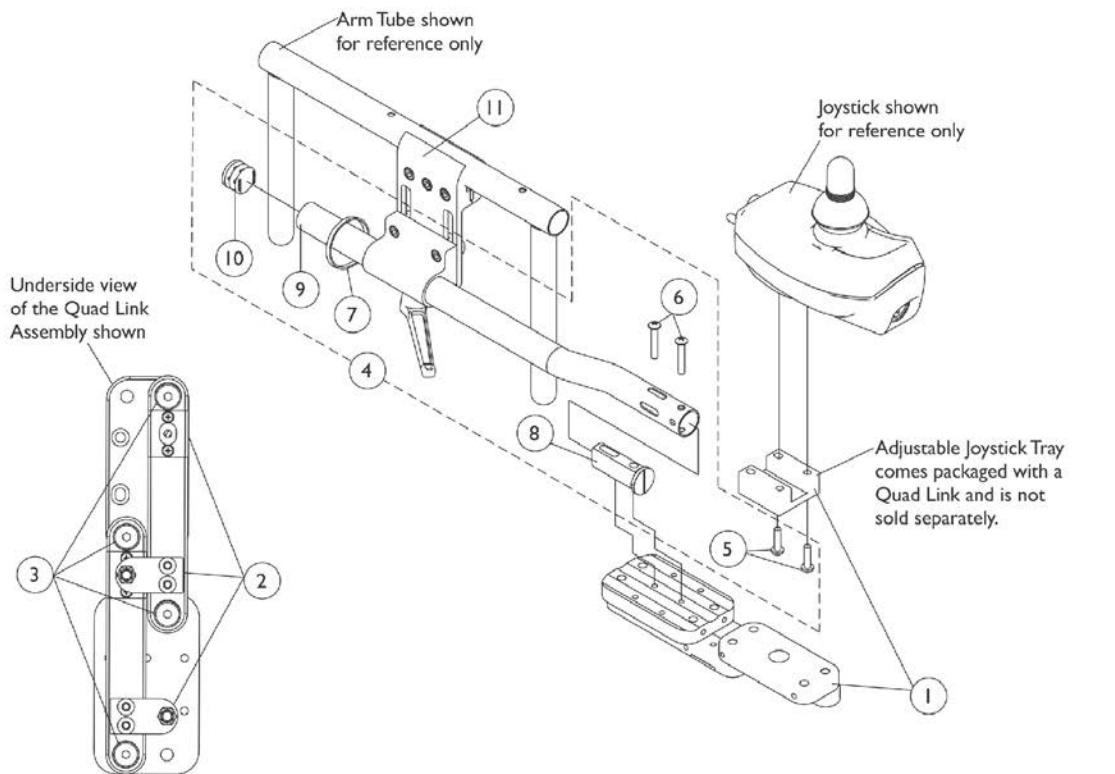
After 10/30/05

NOTE: Quad Link Mounting Hardware (item 4), a Quad Link (item 1) and Height Adjustable Joystick Clamp (item 11) must be ordered when:

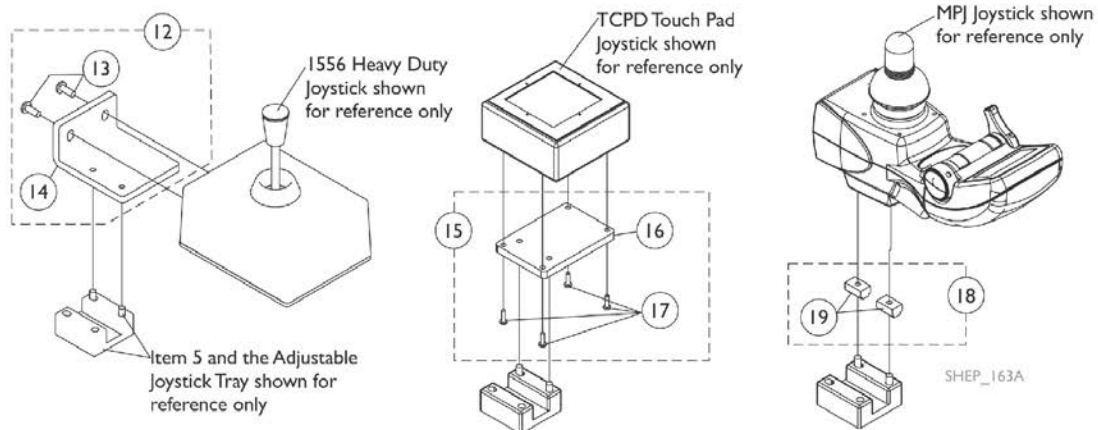
a) Converting an old style Quad Link that attaches to a mounting plate.

b) Flex joystick tube or Touch Pad joystick tube was used.

Substitute (item 4) with 2 each of the Phillips Pan Head Screws (item 5) when an offset joystick tube is currently on the chair. Additional joystick mounting hardware must be ordered when a 1556 Heavy Duty, TCPD Touch Pad or MPJ joystick is used.



Screw Fastener and Quad Link Latch Hardware



Quad Link (QLA)

After 10/30/05

NOTE: Quad Link Mounting Hardware (item 4), a Quad Link (item 1) and Height Adjustable Joystick Clamp (item 11) must be ordered when:

a) Converting an old style Quad Link that attaches to a mounting plate.

b) Flex joystick tube or Touch Pad joystick tube was used.

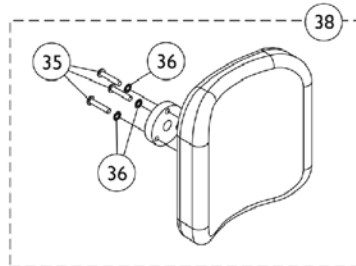
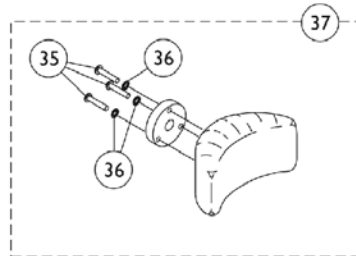
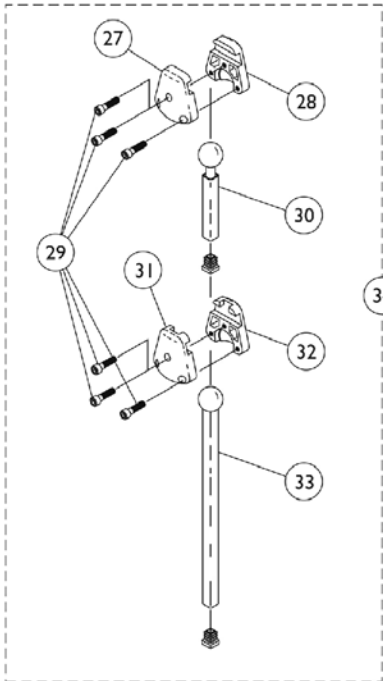
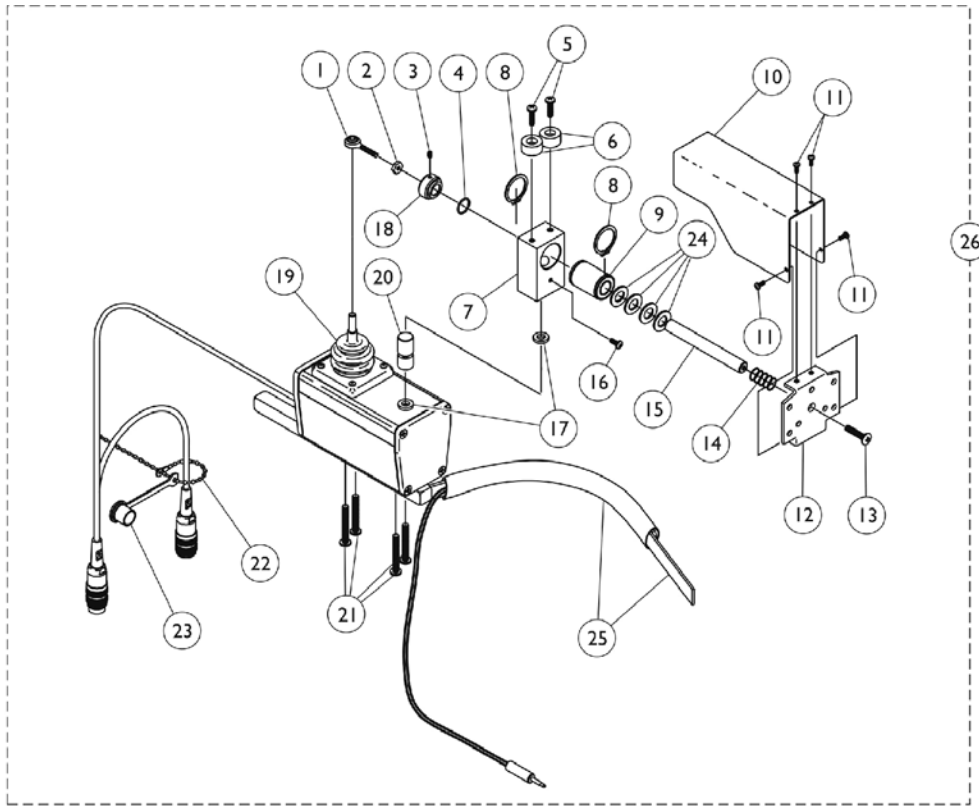
Substitute (item 4) with 2 each of the Phillips Pan Head Screws (item 5) when an offset joystick tube is currently on the chair. Additional joystick mounting hardware must be ordered when a 1556 Heavy Duty, TCPD Touch Pad or MPJ joystick is used.

Item Number	Note	Part Number	Description	Quantity Per	
				Package	Assembly
1	G	1140896	Quad Link w/ Adjustable Joystick Tray (QLA) and Instruction Sheet - Right	1	1
1	G	1140897	Quad Link w/ Adjustable Joystick Tray (QLA) and Instruction Sheet - Left	1	1
2	A	1140425	Kit, Quad Link Latch Hardware	1	1
3	B	1140424-NLA	NLA - Kit, Quad Link Screw Fastener Hardware	1	1
4	C,C1	1139416	Kit, ASBA/ADJASBA Quad Link Mounting Hardware	1	1
5			Screw, Phillips Pan Head w/ Patch (#10-32 x 3/4")	1	2
6			Screw, Phillips Pan Head (#10-32 x 1-1/8")	1	2
7			Tie Wrap (11-1/2" L)	1	1
8			Spacer, Joystick Tube, Black	1	1
9			Tube, Joystick Offset (1/2")	1	1
10			Plug Button, Black (7/8")	1	1
5		1105414	Screw, Phillips Pan Head w/ Patch (#10-32 x 3/4")	1	2
11	I	1139422	Clamp, Height Adjustable Joystick Tube (ARM250)	1	1
12	D	1139925-NLA	NLA - Kit, 1556 Heavy Duty Joystick To Quad Link Mounting Hardware	1	1
13			Screw, Phillips Pan Head (#10-32 x 1/2")	1	2
14			NLA - Plate, 1556 HD Joystick Quad Link	1	1
15	E	1139683-NLA	NLA - Kit, TCPD Touch Pad To Quad Link Mounting Hardware	1	1
16			Plate, TCPD Touch Pad Quad Link	1	1
17			Screw, Phillips Pan Head (#4-40 x 3/8")	1	4
18	F	1139682-NLA	NLA - Kit, MPJ Joystick To Quad Link Mounting Hardware	1	1
19			NLA - T-Nut (#10-32)	1	2
	H	1134844	Instruction Sheet, Quad Link	1	1

NOTE: A - Latch Kit includes 4 ea. Button Head Cap Screws (10-32 x 3/8"), 2 ea. Latch Spring Assembly, 4 ea. Phillips Flat C'Sunk Head Screws, 2 ea. Spring Catch Plates, 2 ea. Socket Head Set Screws (10-32 x 3/8")
 B - Screw Fastener Kit includes 4 ea. Socket Head Shoulder Screws (3/8 x 3/8"), 2 ea. Socket Head Cap Screws (1/4-20 x 3/8"), 2 ea. Socket Head Set Screws (1/4-20 x 1/2"), 4 ea. Socket Head Set Screws (10-32 x 1/8")
 C - Includes items 5-10. The Quad Link Mounting Hardware accommodates MK5 DPJ and MPJ joysticks.
 C1 - When ordering the Quad Link for the first time, Additional hardware is required for 1556 Heavy Duty, TCPD Touch Pad joysticks and (MPJ joysticks if the T-nuts are missing). See pictorial for reference.
 D - Includes items 13 and 14
 E - Includes items 16 and 17
 F - Includes 2 ea. of item 19
 G - The 4-Way Switch Mounting Plate has changed and may be required when converting a Quad Link assembled to a mounting plate over to a Quad Link introduced after 10/30/05
 H - Not Shown
 I - Individual components are non-saleable

R.I.M. Head Control Assembly (1500)

NOTE: Must be used with a MK5 Display. See MK5 Display page



R.I.M. Head Control Assembly (1500)

NOTE: Must be used with a MK5 Display. See MK5 Display page

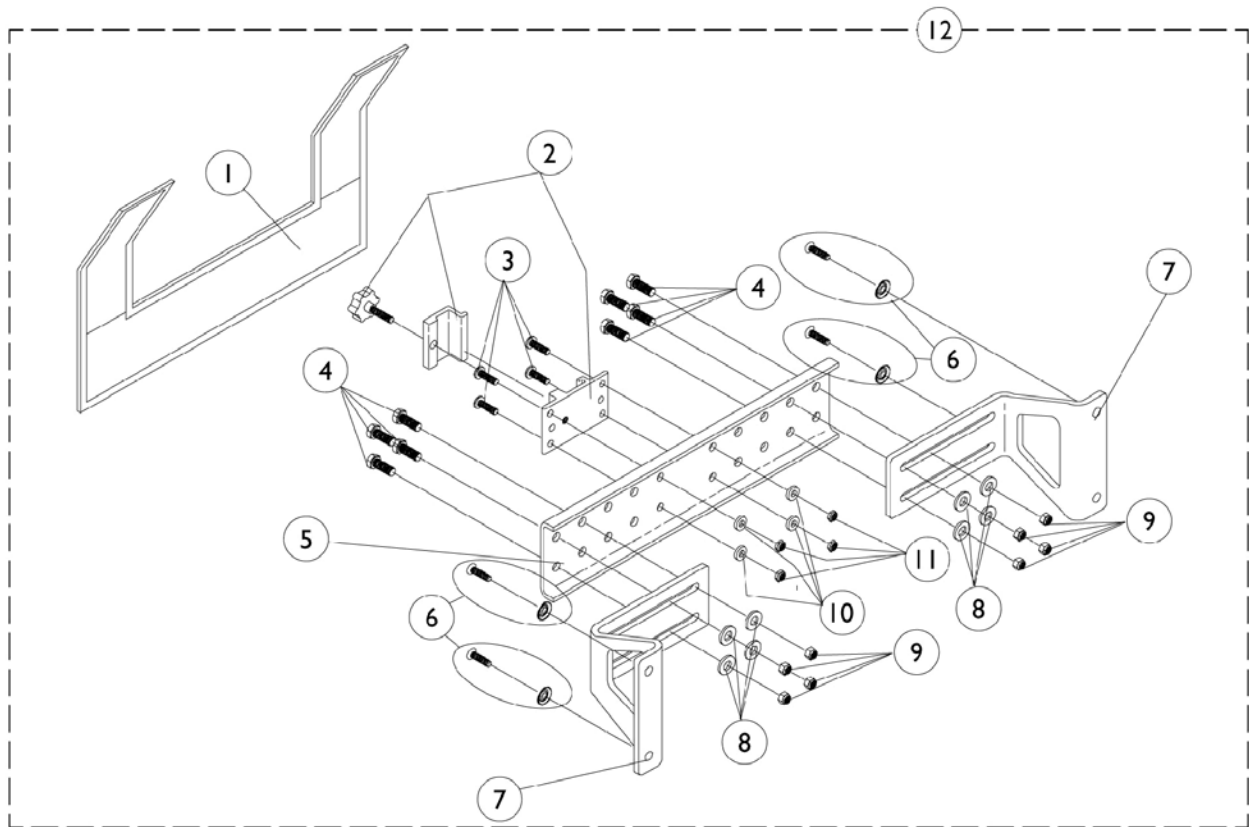
Item Number	Note	Part Number	Description	Quantity Per	
				Package	Assembly
1		1001625	Tie Rod End	1	1
2		48095X000-NLA	NLA - Locknut (#10-32)	1	1
3		1025275-NLA	NLA - Screw, Set w/ Patch (#8-32 x 1/4")	1	1
4		2001139	O-Ring (1/2" I.D.)	1	1
5		1028529	Screw, Phillips Pan Head (#8-32 x 3/8")	1	2
6		1055002-NLA	NLA - Washer, Nylon	1	2
7		1056206	Block, Pivot	1	1
8		1054939-NLA	NLA - Ring, Snap	1	2
9		1018113	Bearing, Linear	1	1
10		1055014-NLA	NLA - Shield, Push Rod	1	1
11		1021742	Screw, Phillips Pan Head (#4-40 x 1/2")	1	4
12		1055031-NLA	NLA - Bracket, Headrest Mounting, Black	1	1
13		40127X002-NLA	NLA - Screw, Phillips Oval Head (#10-32 x 3/4")	1	1
14		1055145-NLA	NLA - Spring, Compression (19/32 x 1-1/4 x 1/32")	1	1
15		1055016-NLA	NLA - Rod, Push	1	1
16		1026728-NLA	NLA - Screw, Phillips Pan Head (#6-32 x 1/4")	1	1
17		1010398	Washer, Nylon (1/4 x 1/2 x 1/16")	1	2
18		1025236-NLA	NLA - Collar, Shoulder	1	1
19		50000X364-NLA	NLA - Boot, Joystick	1	1
20		1055017-NLA	NLA - Rod, Pivot	1	1
21		11008X014-NLA	NLA - Screw, Phillips Round Head (#10-32 x 1")	1	4
22		1038256-NLA	NLA - Tie Wrap (4-1/4" L)	1	1
23		1037373-NLA	NLA - Cover, Splash	1	1
24		1003766-NLA	NLA - Washer, Plain (1/2 x 1 x 1/8")	1	4
25		1025271-NLA	NLA - Ribbon Reset Switch and Bracket Assembly	1	1
26	A	1056210E-NLA	NLA - Reconditioned - Joystick, Remote Head	1	1
27		1055023-NLA	NLA - Clamp, Horizontal Pivot	1	1
28		1055024-NLA	NLA - Clamp, Threaded, Horizontal Pivot	1	1
29		1055144-NLA	NLA - Screw, Socket Head (M6 x 1 x 25mm)	1	6
30		1055028	Tube, Slide, Square, Short	1	1
31		1055025-NLA	NLA - Clamp, Vertical Pivot	1	1
32		1055026-NLA	NLA - Clamp, Threaded, Vertical Pivot	1	1
33		1055027-NLA	NLA - Tube, Slide, Square, Long	1	1
34	B	1056213-NLA	NLA - Hardware, Adjustment	1	1
35		1005383	Screw, Socket Button Head (#10-32 x 1")	1	3
36		1027263-NLA	NLA - Washer, Lock Internal Tooth (#10)	1	3
37	C	1056211-NLA	NLA - Kit, Headrest with Hardware, Otto Bock, Small	1	1
38	D	1056212	Kit, Headrest with Hardware, Large	1	1
	E	1056087-NLA	NLA - Screw, Socket Head (#10-32 x 1/2")	1	4

R.I.M. Head Control Assembly (1500)

NOTE: Must be used with a MK5 Display. See MK5 Display page

NOTE: A - Includes items 1-25.
B - Includes items 27-33 and the Plug Buttons that attach to item 30 and 33 Slide Tubes. The Plug Buttons are not saleable.
C - Includes the Headrest Adapter and items 35 and 36.
D - Includes the Headrest Adapter and items 35 and 36. The LaBac Headrest is no longer used as of 12/6/10 that was attached with Screw part # 1056087 (4 ea.). The screw is still available to order for existing LaBac Headrest in the field.
E - Used for existing LaBac Headrest in the field only.

R.I.M. Head Control Mounting Hardware (1500)

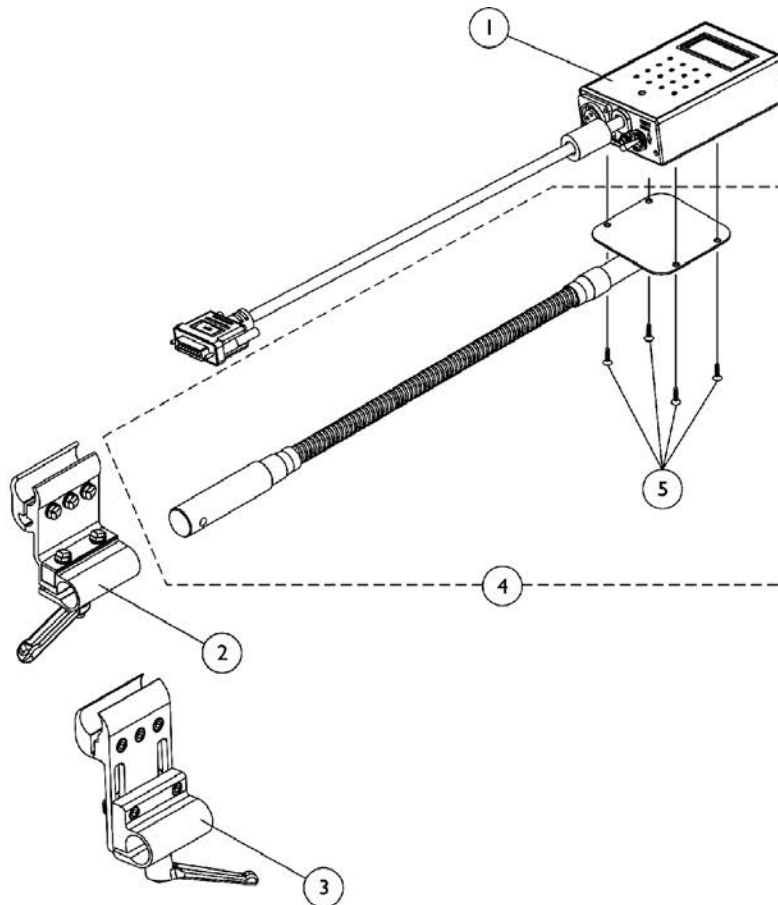


R.I.M. Head Control Mounting Hardware (1500)

Item Number	Note	Part Number	Description	Quantity Per	
				Package	Assembly
1	B	1055149	Cover, Nylon	1	1
1	C	1055151-NLA	NLA - Cover, Nylon	1	1
2		1055148-NLA	NLA - Clamp with Knob, Two-Piece	1	1
3		1003645	Screw, Socket Button Head (#10-32 x 3/4")	1	4
4		7930326-NLA	NLA - Package, Screw, Hex Head (1/4-20 x 3/4")	25	8
5	B	1054931-NLA	NLA - Bracket, Attaching, Black (12 - 18" W)	1	1
5	C	1054933-NLA	NLA - Bracket, Attaching, Black (19 - 24" W)	1	1
6		1031095	Screws with Washers (#10-16 x 7/8")	4	1
6		1076284	Screw w/ Washer (#10 x 7/8")	1	4
7		1054929-NLA	NLA - Bracket, Wing, Black	1	2
8		1026907	Washer (1/4 x 1/2 x 1/16")	1	8
9		7930333	Locknut (1/4-20)	25	8
10		1026034-NLA	NLA - Washer, Nylon (3/16 x 7/16 x 1/8")	1	4
11		7930332-NLA	NLA - Locknut, High Profile (#10-32)	25	4
12	B,A	1056347	Hardware, Rim Control Mounting (RIMHW) (12-18" W)	1	1
12	C,A	1056348	Hardware, Rim Control Mounting (RIMHW) (19-24" W)	1	1

NOTE: A - Includes items 1-11
 B - For 12-18" wide chairs
 C - For 19-24" wide chairs

MK5 Display

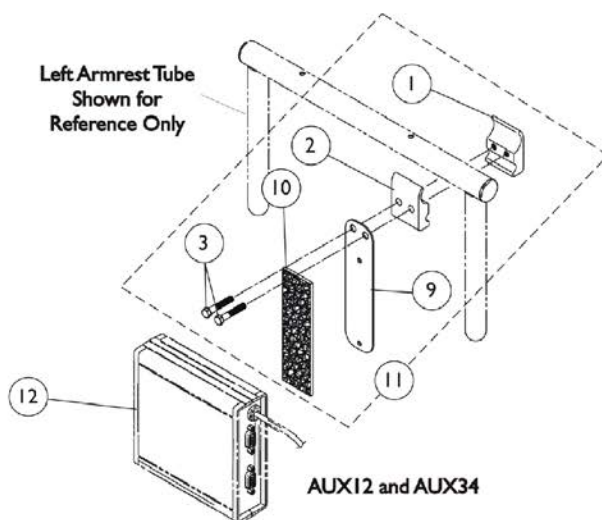
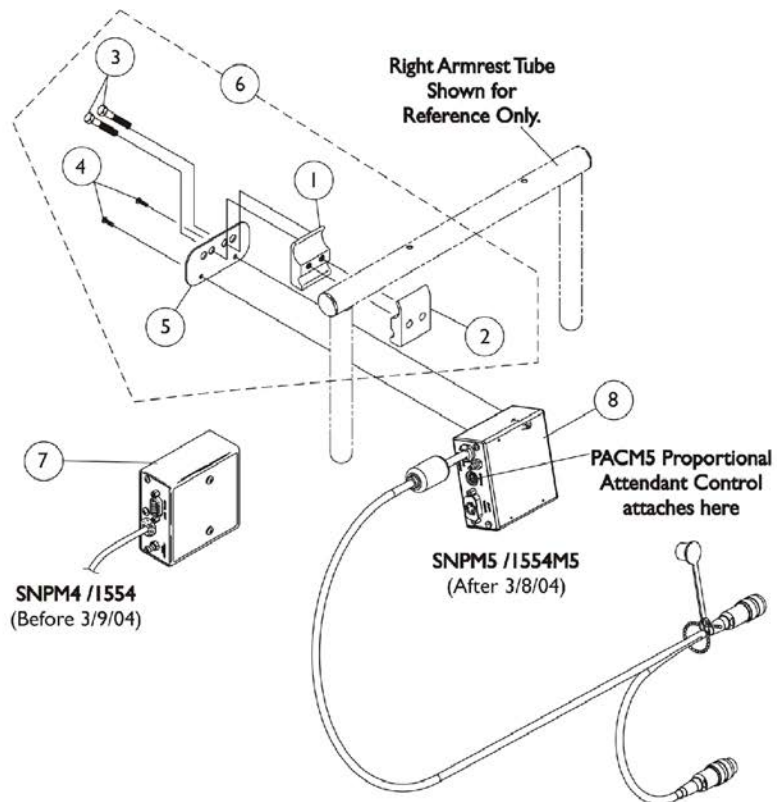


Item Number	Note	Part Number	Description	Quantity Per	
				Package	Assembly
1		1118759-NLA	NLA - Display, MK5 with Switches	1	1
2		1093071	Clamp, Fixed Height Joystick Tube	1	1
3	A	1139422	Clamp, Height Adjustable Joystick Tube (ARM250)	1	1
4		1049594-NLA	NLA - Tube, Flex with Screws	1	1
5		1052041	Screw, Phillips Pan Head (#4-40 x 3/8")	1	4

NOTE: A - Introduced as an option (ARM250) and can be used to replace a Fixed Height Joystick Clamp

Sip-N-Puff/Digital Interface and AUX12 and AUX34 1554M4/1554M5

Sip-N-Puff/Digital Interface (1554M5) is required when using Proportional Attendant Control (PACM5)



Sip-N-Puff/Digital Interface and AUX12 and AUX34 1554M4/1554M5

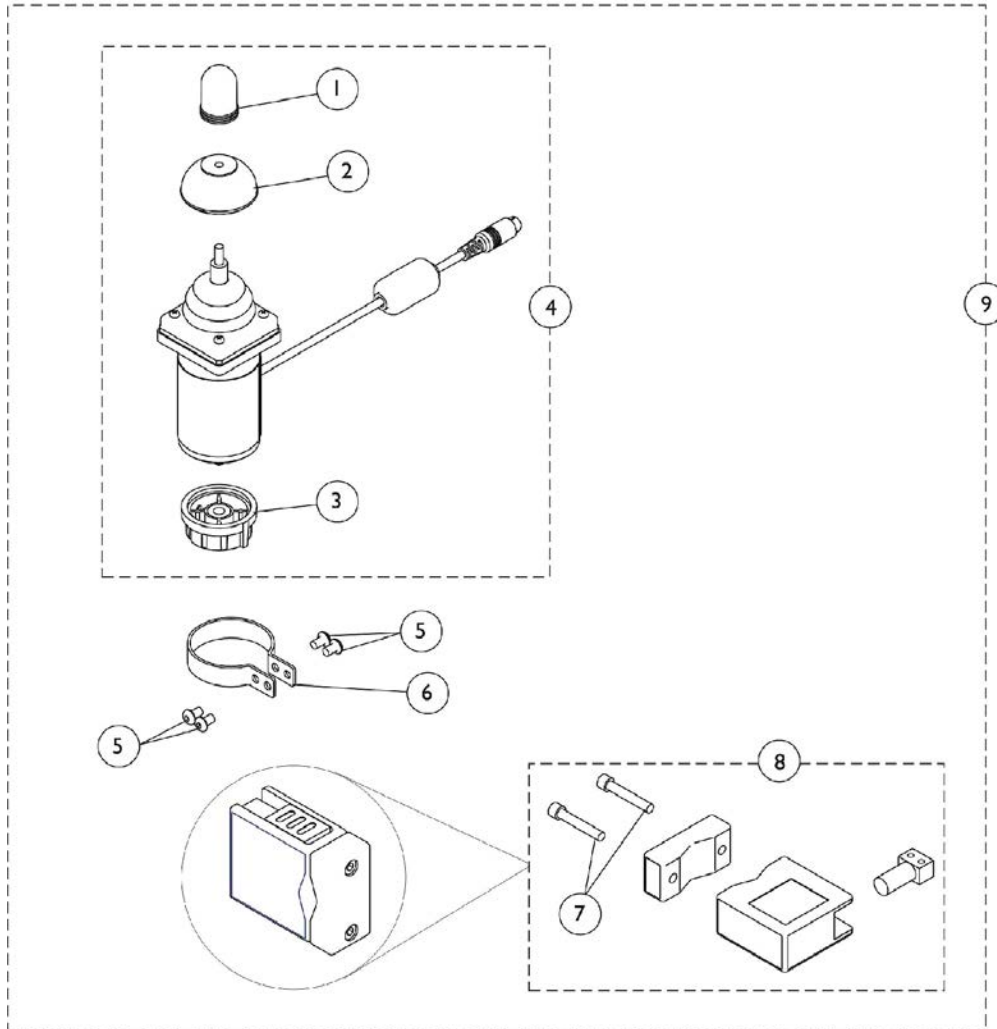
Sip-N-Puff/Digital Interface (1554M5) is required when using Proportional Attendant Control (PACM5)

Item Number	Note	Part Number	Description	Quantity Per	
				Package	Assembly
6	A,E	1049593	Kit, SNP/DI, MK5 SAC, 4WSB, S4WSB, GTAM, AUX12M6, AUX34M6 Mtg. Hdwr.	1	1
1			NLA - Half Clamp, Threaded Holes	1	1
2			Half Clamp, Non-Threaded Holes	1	1
3			NLA - Screw, Hex Head (1/4-20 x 1-1/8")	1	2
4			Screw, Phillips Pan Head (#4-40 x 3/8")	1	2
5			Plate, Mounting	1	1
7	B	1038635-NLA	NLA - Sip-N-Puff w/ Digital Interface	1	1
8	C	1122229-NLA	NLA - Sip-N-Puff w/ Digital Interface - MK5	1	1
11	D	1049592-NLA	NLA - Kit, COM12/AUX12 and COM34/AUX34 Mounting Hardware	1	1
1			NLA - Half Clamp, Threaded Holes	1	1
2			Half Clamp, Non-Threaded Holes	1	1
3			NLA - Screw, Hex Head (1/4-20 x 1-1/8")	1	2
9			NLA - Fastener, Dual Lock Hook and Loop Adhesive (2" W x 12" L)	1	1
10			NLA - Plate, COM12/AUX12 and COM34/AUX34 Mounting	1	1
12		See Note-NLA	See Footnote	1	1
12		1086241-NLA	NLA - Module, Communication, COM34/AUX34	1	1

NOTE: A - Includes items 1-5
 B - Before 3/9/04 - MKIV Electronics
 C - After 3/8/04 - MK5 Electronics
 D - Includes items 1-3, & 9-10. Item 9 that is packaged with the kit will only be a 4" long "loop" fastener
 E - As of 5/22/07 the Mounting Plate holes and the orientation of the Hardware was revised to attach the electronics closer to the chair. The Mounting Hardware Kit is backward compatible.

Proportional Attendant Control Joystick PACM5

Sip-N-Puff/Digital Interface (1554M5) is required when using Proportional Attendant Control Joystick (PACM5)



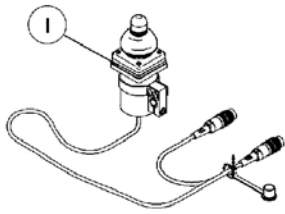
Proportional Attendant Control Joystick PACM5

Sip-N-Puff/Digital Interface (1554M5) is required when using Proportional Attendant Control Joystick (PACM5)

Item Number	Note	Part Number	Description	Quantity Per	
				Package	Assembly
1		1040217	Knob, Joystick Rubber, Black	1	1
2		1040218	Skirt, Joystick Rubber, Black	1	1
3		1114232	Knob, Control	1	1
4	A	1123230-NLA	NLA - Joystick, Proportional Attendant Control - MK5 (PACM5)	1	1
5		1021460	Screw, Socket Button Head (#10-32 x 5/16")	1	4
6		1025048	Clamp	1	1
7		0140406-NLA	NLA - Screw, Socket Head, Cap (5/16-18 x 1-1/2")	1	2
8		1123244	Bracket Assembly	1	1
9	B	1123274-NLA	NLA - Proportional Attendant Control Joystick w/ Bracket and Clamp -MK5 (PACM5)	1	1

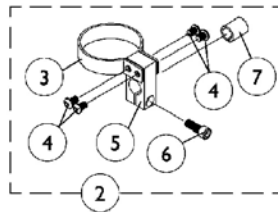
NOTE: A - Includes Joystick plus items 1-3
B - Includes items 1-8

Joystick Options

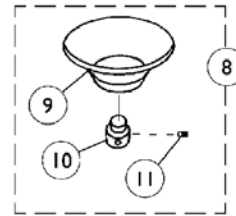


**ON CHAIR: 1812M4/1558
DUAL/COMPACT JOYSTICK
W/ MTG. HARDWARE**

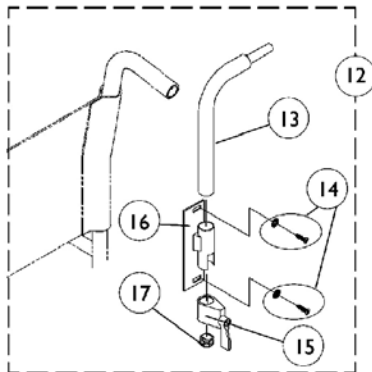
Used with MK5 display or MPJ joystick



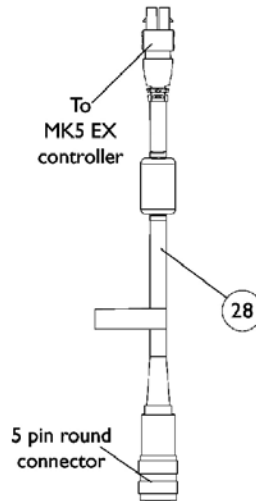
**DUAL/COMPACT JOYSTICK
MOUNTING HARDWARE**



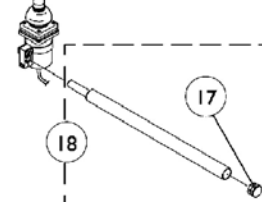
**ON CHAIR: 1826
CHIN CUP ASSEMBLY**



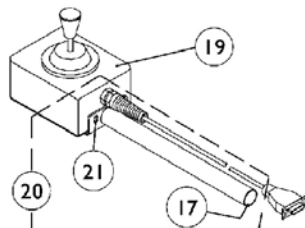
**ON CHAIR: 1673
REAR CANE MOUNT**



**MK5 EX CONTROLLER
OPTION CABLE**

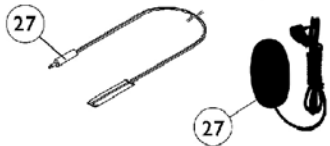


**DUAL/COMPACT
JOYSTICK
ARM MOUNT**



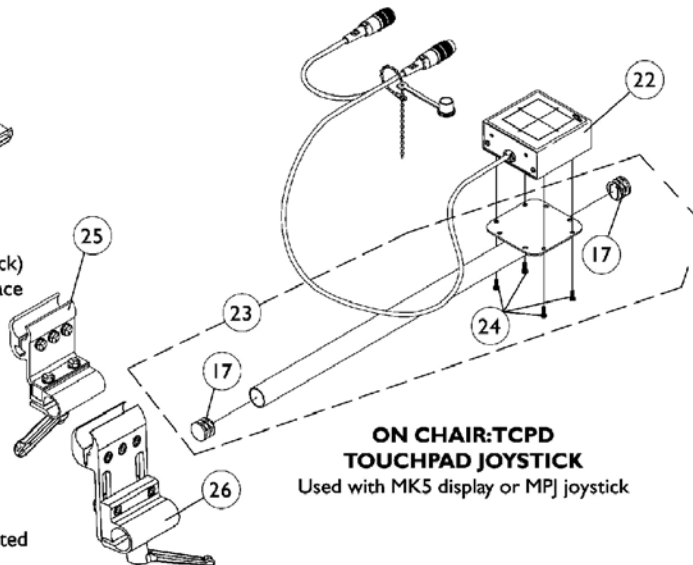
**ON CHAIR: 1556M
HEAVY DUTY
JOYSTICK**

Used with (MK5 display or MPJ joystick)
with SNPM4 Sip-N-Puff/Digital interface



**ON CHAIR: 1817
Reset Switch**

May be required for joystick options listed



**ON CHAIR: TCPD
TOUCHPAD JOYSTICK**

Used with MK5 display or MPJ joystick

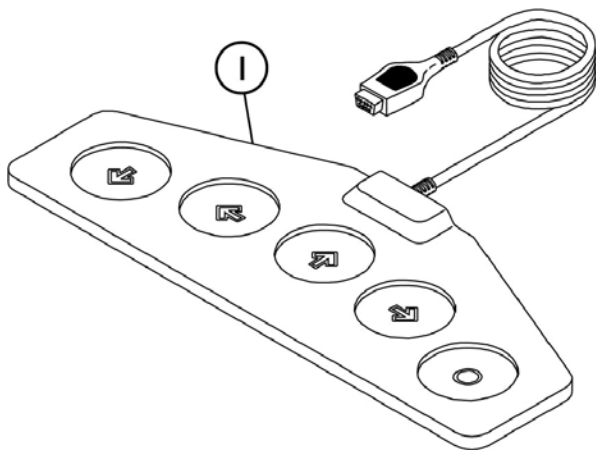
Joystick Options

Item Number	Note	Part Number	Description	Quantity Per	
				Package	Assembly
1		1038638-NLA	NLA - Joystick, MKIV Dual/Compact	1	1
2	A	1108012	Hardware, Dual/Compact Joystick Clamp Mounting	1	1
3		1025048	Clamp	1	1
4		1021460	Screw, Socket Button Head (#10-32 x 5/16")	1	4
5		1025045-NLA	NLA - Clamp, Mounting	1	1
6		1027089-NLA	NLA - Screw, Socket Head (#10-24 x 1/2")	1	1
7		1026273-NLA	NLA - Spacer, Split (3/8" I.D.)	1	1
8	B	60102524	Kit, Chin Cup Assembly - 1826	1	1
9		1017545	Cup, Chin	1	1
10	L	1017612-NLA	NLA - Screw, Adaptor	1	1
11		90032X000	Screw, Set Socket Cup Point (#8-32 x 1/4")	1	1
12	C	1044917	Hardware, Rear Cane Mount (1673/RCM)	1	1
13		1044918-NLA	NLA - Tube, Joystick	1	1
14		1026298	Package, Screw with Washer (#10 x 7/8") (Pair)	1	2
15		1027274	Adjustment Lock Assemnbly, Black	1	1
16		1025245-NLA	NLA - Bracket, Upright, Black -Right	1	1
17		1027095	Plug Button, Black (7/8")	1	1
18	D	1052309	Tube, Arm Mount with Plug Button, Black	1	1
19		1041544-NLA	NLA - Joystick, Heavy Duty	1	1
20	E	1052719-NLA	NLA - Kit, Straight Joystick Tube with Hardware	1	1
21		1016401-NLA	NLA - Screw, Phillips Round Head (#10-32 x 3/8")	1	3
22		1091353-NLA	NLA - Touchpad, Joystick Assembly	1	1
23	F	1092604-NLA	NLA - Kit, Straight Joystick Tube with Hardware	1	1
24		1052041	Screw, Phillips Pan Head (#4-40 x 3/8")	1	4
25	G	1093071	Clamp, Fixed Height Joystick Tube	1	1
26	K	1139422	Clamp, Height Adjustable Joystick Tube (ARM250)	1	1
27	I	1020818	Switch, Red Flex Ribbon (Tape) Reset	1	1
27	J	1123276	Kit, Switch, Black Egg Reset w/ Hook/Loop Adhesive Back Fastener & Attaching Screws (EGSBLK)	1	1
28	H	1118231-NLA	NLA - Cable, MK5 EX Controller Option	1	1

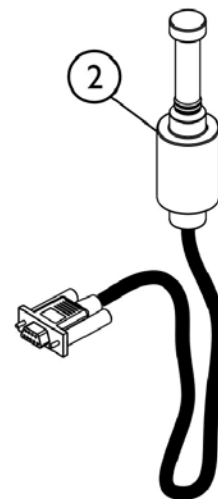
NOTE: A - Includes items 3-7
 B - Includes items 9-11
 C - Includes items 13-17
 D - Includes item 17
 E - Includes items 17 and 21
 F - Includes items 17 and 24
 G - Clamp assembly is used for all joystick tubes listed. Individual components are non-saleable
 H - The 5 pin connector attaches to MKIV options
 I - Before 5/24/04
 J - After 5/23/04 the Egg Reset Switch replaced the Red Flex Ribbon (Tape) Reset Switch
 K - Introduced 10/31/05 as option (ARM250) and can be used to replace a Fixed Height Joystick Clamp in the field. Individual components are non-saleable
 L - Part #1017612 is no longer available as a service part individually. Order item #8 as a replacement.

Tash and Therafin Accessories

NOTE: Used with (MK5 display or MPJ joystick) with SNPM4 Sip-N-Puff/Digital interface



P5018 Wafer Board



P5020 Mini Joystick with Push

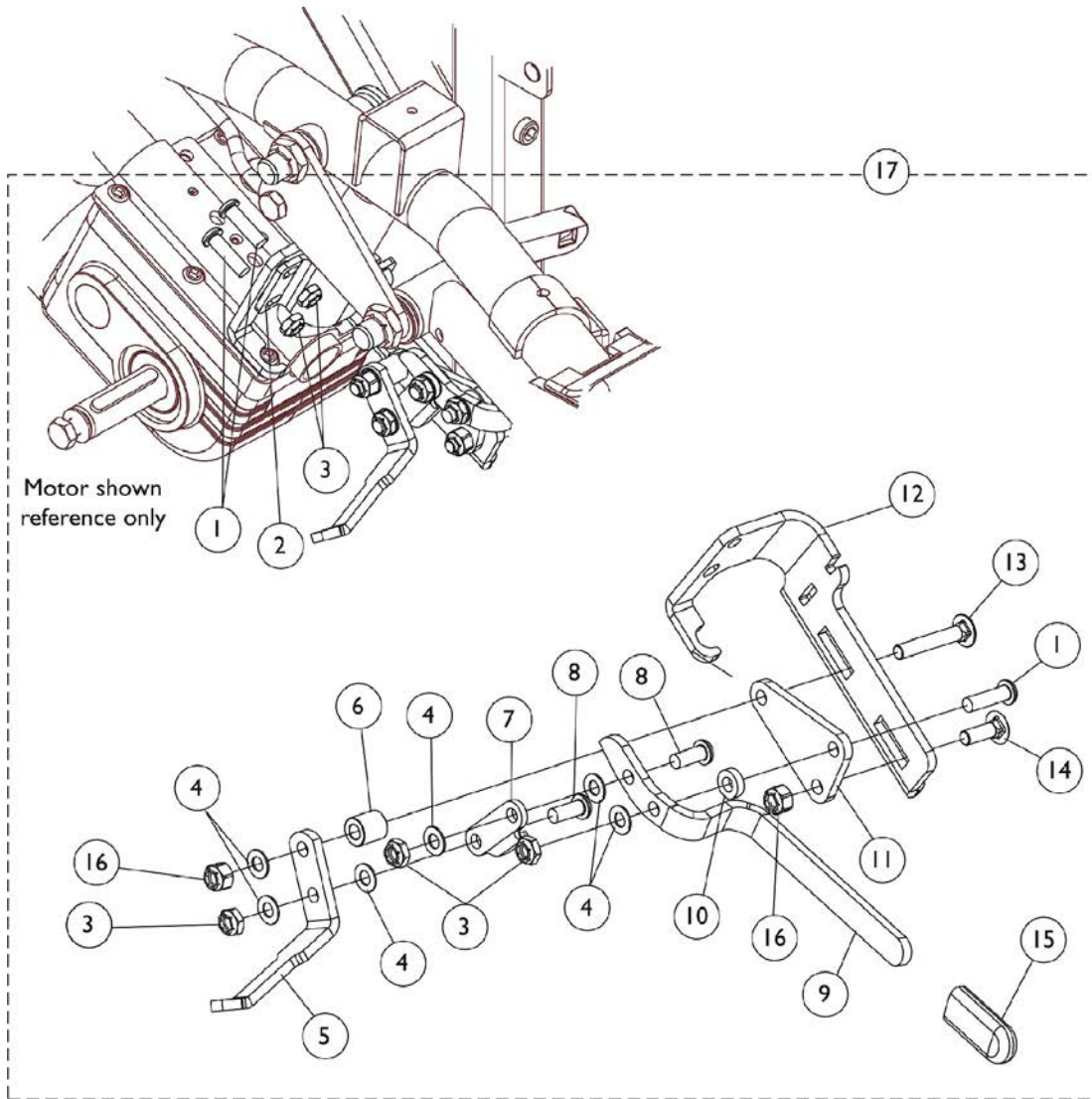
SHEP_089A

Tash and Therafin Accessories

NOTE: Used with (MK5 display or MPJ joystick) with SNPM4 Sip-N-Puff/Digital interface

Item Number	Note	Part Number	Description	Quantity Per	
				Package	Assembly
1		P5018-NLA	NLA - Wafer Board (5018)	1	1
2		P5020-NLA	NLA - Mini Joystick with Push (5020)	1	1
	A	1142362	Bib Assembly (PKG32669)	1	1
	A,B	1140824	Kit, Sip-N-Puff, 16" Fixed (PKG32666) Includes: (3) Air Tube Straws, (2) Saliva Traps, Tubing, Pivot Shaft/Flexible Metal Gooseneck Assembly, and Extruded Figure "8" Clamp to fit 7/8" Wheelchair Frame Tubing. Extruded Back Cane Adapter Clamp.	1	1
NOTE: A - Not Shown B - See items included					
For more information on Tash and Therafin products, please contact one of our Rehab Specialists.					

Wheel Lock Assembly

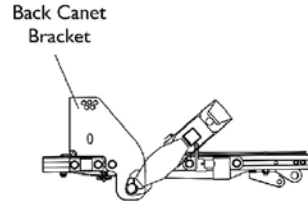
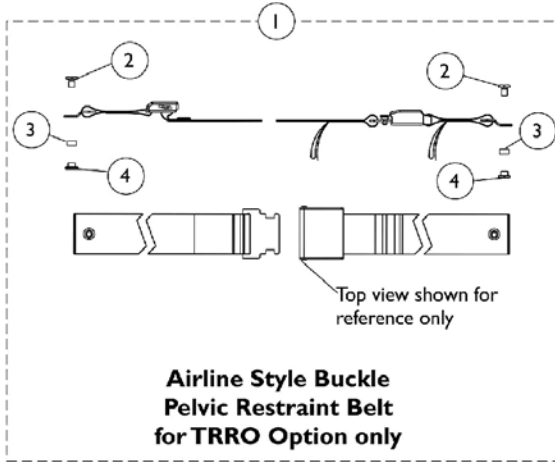


Wheel Lock Assembly

Item Number	Note	Part Number	Description	Quantity Per	
				Package	Assembly
1		1055306-NLA	NLA - Screw, Button Head Cap (1/4-28 x 7/8")	1	3
2		1122956-NLA	NLA - Plate, Wheel Lock Clamp - Right	1	1
2		1122957-NLA	NLA - Plate, Wheel Lock Clamp - Left	1	1
3		1025765	Locknut (1/4-28)	1	5
4		1026103	Washer, Nylon (1/4 x 1/2 x 1/32")	1	6
5		1122953-NLA	NLA - Shoe, Wheel Lock	1	1
6		1020363-NLA	NLA - Spacer (1/4 x 1/2 x 1/2")	1	1
7		1018733-NLA	NLA - Link, Stop, Black	1	1
8		1055304	Screw, Socket Button Head (1/4-28 x 5/8")	1	2
9		1122966-NLA	NLA - Handle, Wheel Lock, Black - Right	1	1
9		1122967-NLA	NLA - Handle, Wheel Lock, Black - Left	1	1
10		1028411-NLA	NLA - Spacer (1/4 x 1/2 x 5/32")	1	1
11		1122819-NLA	NLA - Plate, Wheel Lock Mounting	1	1
12		1122954	Bracket, Wheel Lock Mounting, Black - Right	1	1
12		1122955-NLA	NLA - Bracket, Wheel Lock Mounting, Black - Left	1	1
13		1030950-NLA	NLA - Bolt, Carriage (1/4-20 x 1-1/2")	1	1
14		1123392-NLA	NLA - Screw, Round Head Square Neck (1/4-20 x 3/4")	1	1
15		1006490	Tip, Plastic, Black	1	1
16		1025736	Locknut (1/4-20)	1	2
17	A	1121974-NLA	NLA - Wheel Lock Assembly w/ Attaching Hardware -Right	1	1
17	A	1121975-NLA	NLA - Wheel Lock Assembly w/ Attaching Hardware -Left	1	1

NOTE: A - Includes items 1-16

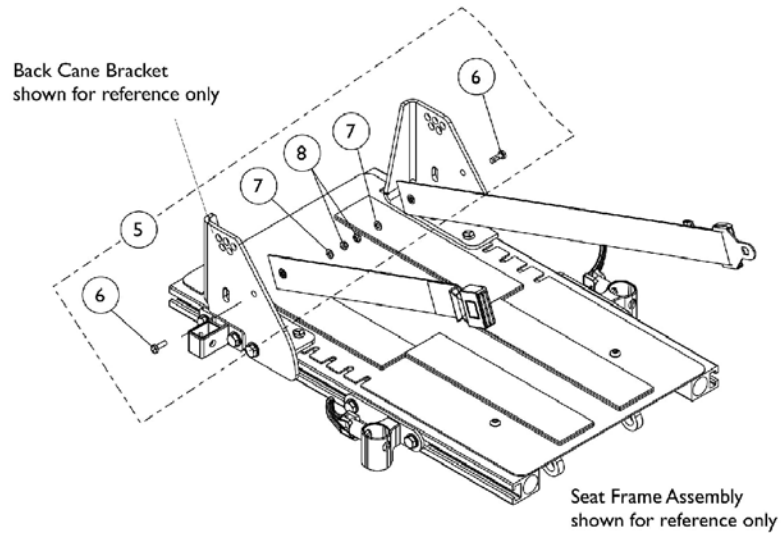
Miscellaneous Accessories



**TRRO Pelvic Restraint Belt
Mounting Location**



**Auto Style Push Button Buckle
Positioning Strap for TRBKTS Option**



**Seat Positioning Strap
Mounting Hardware**

Miscellaneous Accessories

Item Number	Note	Part Number	Description	Quantity Per	
				Package	Assembly
1	A	1122818-NLA	NLA - Strap, Positioning, Seat, Airline Style Buckle w/ Hardware (37" Long Eyelet-to-Eyelet)	1	1
1	B	1036527	Strap, Positioning, Seat/Chest w/ Auto Style Buckle (Eyelet to Eyelet Length 33")	1	1
2		1118569-NLA	NLA - Pin, Threaded	1	2
3		1118568-NLA	NLA - Bushing, Nylon (5/16 x 7/16 x 5/32")	1	2
4		1118579-NLA	NLA - Nut, Hex Jam (3/8-16)	1	4
5	C	1124385	Kit, Seat Positioning Strap Mounting Hardware (both LT & RT sides)	1	1
6			Screw, Hex Head w/ Patch (1/4-20 x 3/4")	1	2
7			Washer (1/4 x 23/32 x 1/16")	1	2
8			Locknut (1/4-20)	1	2
	D	40176X010-NLA	NLA - Pump, Tire	1	1

NOTE: A - Pelvic Restraint Belt for TRRO option. Includes items 2-4
 B - Positioning Strap for TRBKTS option.
 C - Hardware for auto style positioning strap. Includes items 6-8
 D - Not Shown

Power Wheelchair Tool Kit

1



Multimeter with Leads



Grounding Wire



1" Test Leads



Protractor/Angle Locator



Invacare Pen Light



Invacare Tape Measure



Invacare Phillips/Flat Head Screwdriver



MKIV Programmer



Virtual Service Charger Cable

Power Wheelchair Tool Kit

Item Number	Note	Part Number	Description	Quantity Per	
				Package	Assembly
1		1125222-NLA	NLA - Kit, Power Wheelchair Tool Includes: 1 ea. Multimeter with Leads 1 ea. Locator, Protractor/Angle Magnetic Base 1 ea. Instructions, MKIV Programmer 1 ea. Wire, Grounding with Hand Strap and Clip 1 ea. Leads, 1" Test 1 ea. Light, Pen with Invacare Logo 1 ea. Tape Measure, Compact with Invacare Logo 1 ea. Screwdriver, Pen-Size Phillips/Flat Head 1 ea. Cable, Virtual Service Charger/Modem	1	1

Warranty Replacement Parts

Part Number	Description	Quantity per Assembly
1123249E-NLA See Note(s) A	WARR RPLMT - Charger, Battery, 8 Amp, 115VAC (Off Board) Single Mode Round Plug w/ AC Power Line Cord, CTE Corp.	1
1123954E-NLA See Note(s) B	WARR RPLMT - Motor, High Speed w/ Gearbox and Cable Extension - Right	1
1123955E-NLA See Note(s) B	WARR RPLMT - Motor, High Speed w/ Gearbox and Cable Extension - Left	1
NOTE: A - See Category "Electronics - MK5 EX Controller, Programmer & Battery Charger" for additional information. B - See Category "Motor, Gearbox and Drive Wheel" for additional information.		

Invacare Corporation

www.invacare.com



Yes, you can.

One Invacare Way
Elyria, Oh USA
44036-2125
800-333-6900

Technical Support
800-832-4707
Customer Service
800-333-6900

Customer Service
800-333-6900

© 2022 Invacare Corporation. All rights reserved. Republication, duplication or modification in whole or in part is prohibited without prior written permission from Invacare. Trademarks are identified by TM and ©. All trademarks are owned by or licensed to Invacare Corporation or its subsidiaries unless otherwise noted. (Revised 08/01/22)

Form No. 03-033