

P9000™ XDT



Yes, you can.

Parts Catalog Usage Guide

The information contained in this document is subject to change without notice. This catalog contains service parts for Form No. 03-028. If you have any questions regarding this catalog, please contact one of our Customer Service Representatives.

For Customer Service Support Call:

1-800-333-6900

For Faxed In Orders Call:

1-800-678-4682 or

1-440-366-0709

For Technical Service Call:

1-800-832-4707

Literature Can Be Found at:

www.invacare.com or

1-800-828-6272

SYMBOL DEFINITION

Throughout this catalog you will notice letters to draw your attention to specific footnotes which are located at the bottom of the page or below specified charts.

Examples:

A,B,C etc. = Special Comments

NOTE: = General information pertaining to that specific page

NLA = No Longer Available

HARDWARE MEASUREMENTS

The measurements for the hardware will be listed as follows:

Screws, Bolts Diameter X Thread Count/Pitch X Length

Washers Inside Diameter X Outside Diameter X Thickness

Spacers Inside Diameter X Outside Diameter X Length

For your convenience, we have supplied an area for you to list your Invacare Representatives.

Name	Phone Numbers

© 2022 Invacare Corporation. Elyria, Ohio. Invacare, Yes, you can., and the Medallion Design are registered trademarks and P9000, MK5, and NX are trademarks of Invacare Corporation.

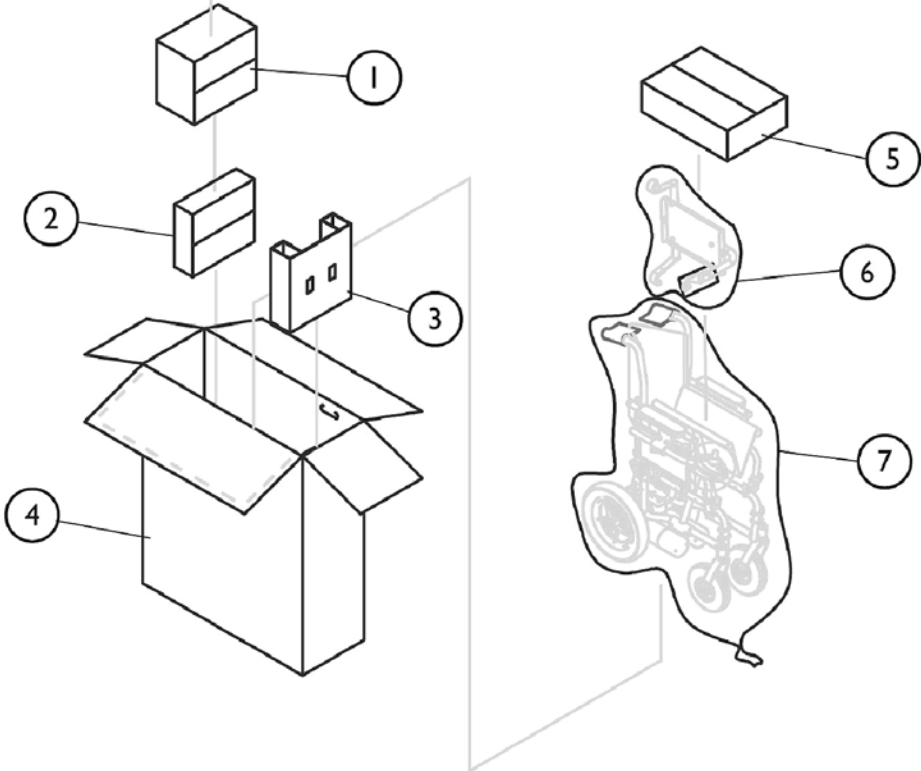
TABLE of CONTENTS

Description	Page Number
Accessories - Oxygen Holder	41
Accessories - Power Wheelchair Tool Kit	43
Arms - Space Saver Adjustable Height	15
Battery Tray - Battery Boxes & Battery Charger	20
Canes - Back & Attaching Hardware	11
Casters & Forks	18
Crossbraces & Hardware	8
Electronics - Controller	37
Electronics - Joystick	35
Frames - Side - Hardware & Anti-Tips	6
Front Riggings - Adjustable Heel Loops	32
Front Riggings - Footrest Supports - T93H	24
Front Riggings - Heel Loops	34
Front Riggings - Legrest Supports - PH904A	26
Front Riggings - Pivot/Slide Tube w/ Footplate - PH904A	30
Front Riggings - Pivot/Slide Tube w/ Footplate - T93HA	28
Motors - Drive Wheels & Attaching Hardware	39
Packaging - Literature & Decals	4
Seat Extension Kit	10
Upholstery - Seat - Back & Positioning Strap	13
Warranty Replacement Parts	45

TABLE of CONTENTS

Description	Page Number
Wheel Locks	22

Packaging, Literature, and Decals



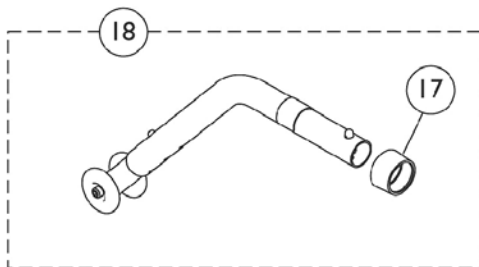
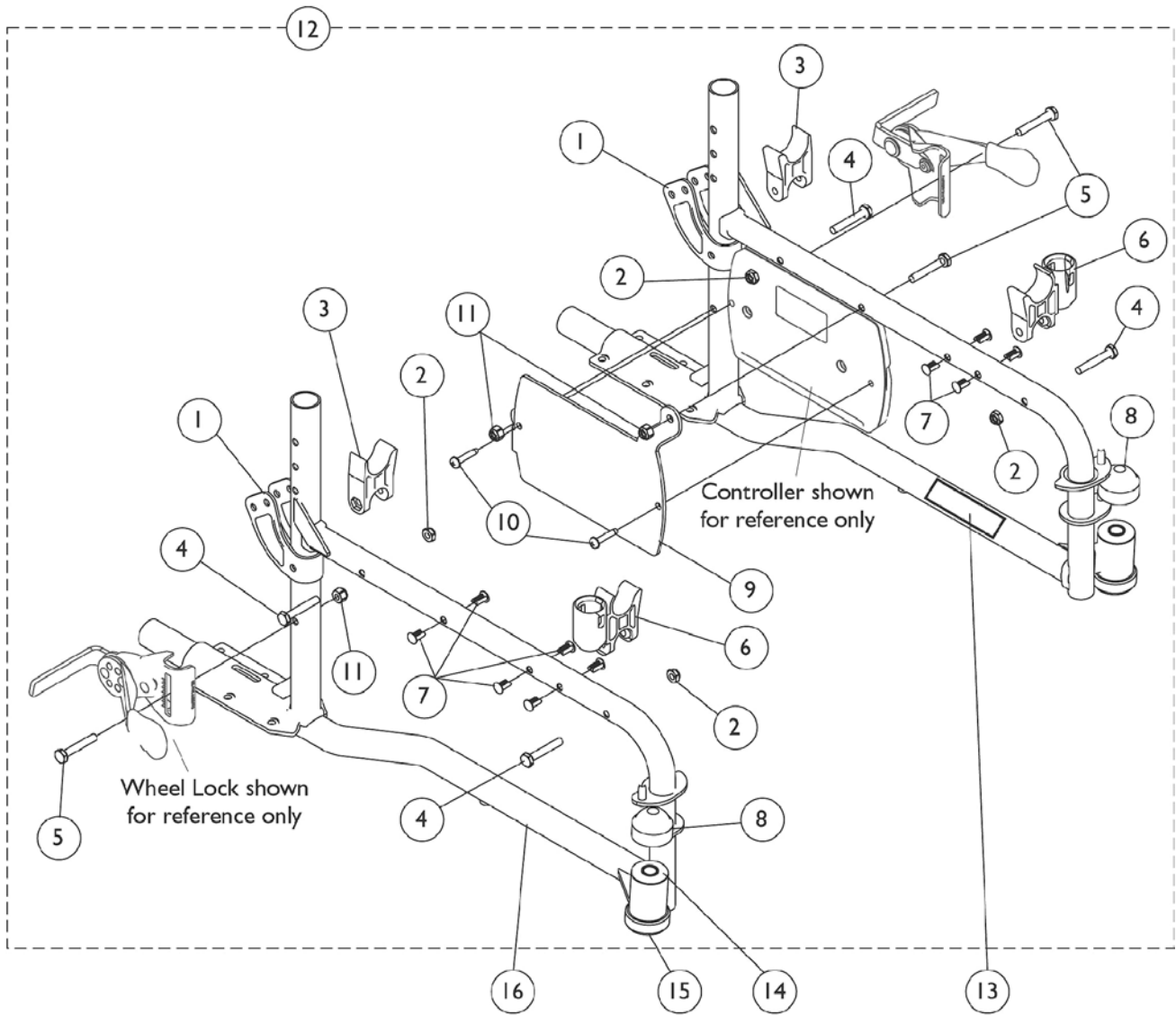
Packaging, Literature, and Decals

Item Number	Note	Part Number	Description	Quantity Per	
				Package	Assembly
1		1023167-NLA	NLA - Carton, Battery Boxes	1	1
2		40131X148-NLA	NLA - Carton, Hardware	1	1
3		1108625-NLA	NLA - Insert, Carton	1	1
4		1074355-NLA	NLA - Carton	1	1
5		40131X011-NLA	NLA - Carton, Front Riggings	1	1
6		1021866-NLA	NLA - Bag, Poly (26" L x 15" W)	1	1
7		1015592	Bag, Poly (72" L x 35" W x 19" D)	1	1
	A,B	1118386-NLA	NLA - Owner's Manual, P9000XDT	1	1
	A,B	1110532-NLA	NLA - Instruction Manual, MK5 NX/NX-LP	1	1
	A	1121206-NLA	NLA - Decal, Frame - P9000XDT	1	2
	A	1107652-NLA	NLA - Decal, Rear Battery Cover	1	1

NOTE: A - Not Shown
 B - Item is no longer available from the Invacare Service Parts Department. Refer to the Invacare Website under "Product Literature Search". Enter the part number in the "Keywords" field and download a free PDF version copy.

When adjusting or replacing parts, please refer to your Owner's Manual for assistance.

Frames, Frame Hardware, and Anti-Tips

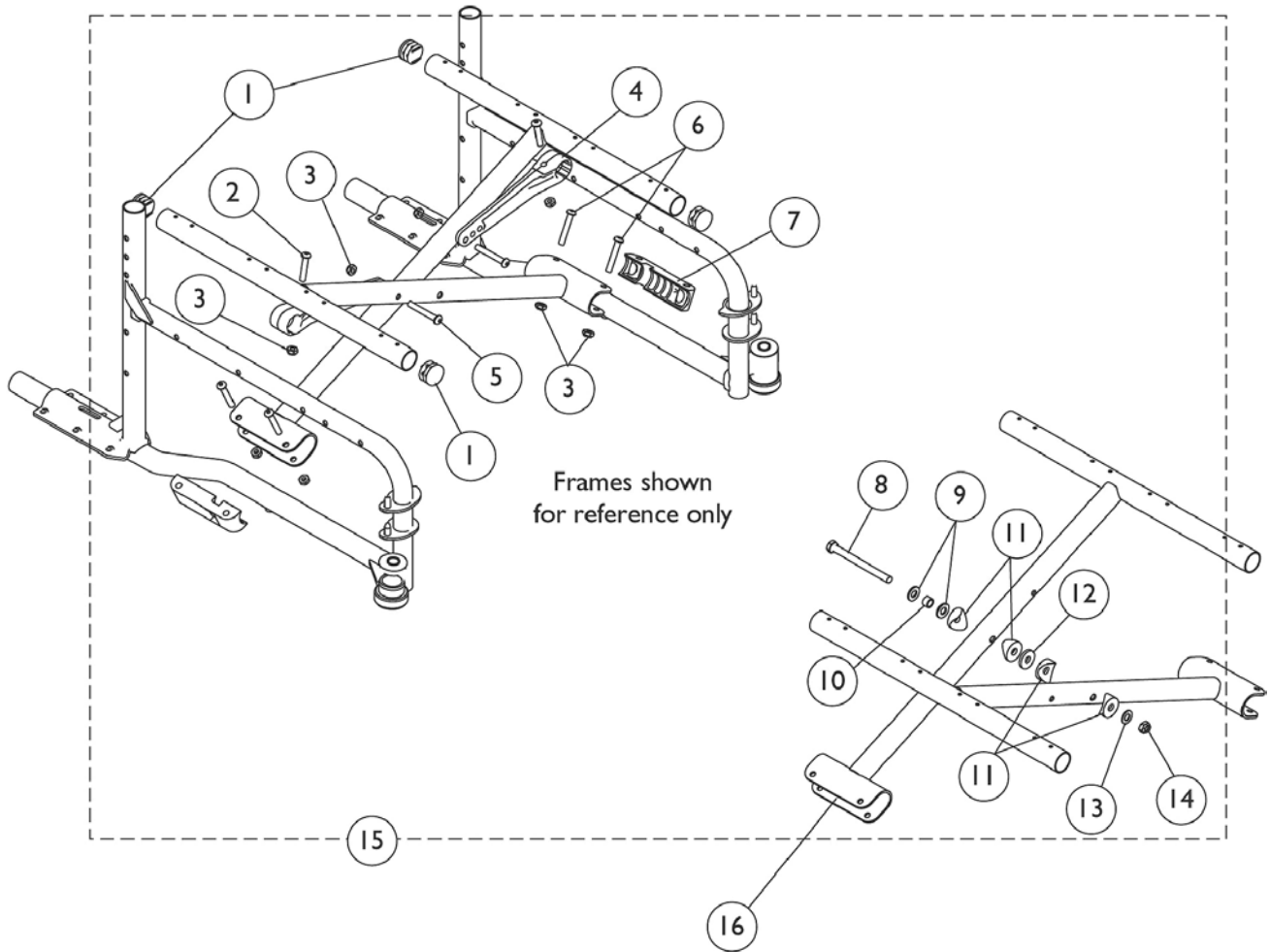


Frames, Frame Hardware, and Anti-Tips

Item Number	Note	Part Number	Description	Quantity Per	
				Package	Assembly
1		1066261	Bracket, Armrest, Black	1	2
2		60275X000	Locknut (1/4-20)	1	4
3		1107805	H-Block	1	2
4		16720X004	Screw, Hex Head (1/4-20 x 1-1/2")	1	4
5		1030949	Screw, Hex Head (1/4-20 x 1-1/2")	1	3
6		1109938	H-Block with Socket Cup	1	2
7		1023450-NLA	NLA - Rivet, Ratchet	1	10
8		1001843	Cap, Head Tube, Black	1	2
9		1121213-NLA	NLA = Bracket, Controller Mounting, Black	1	1
10		1113439-NLA	NLA - Screw, Phillips Pan Head Tap (#10-32 x 1")	1	2
11		1025736	Locknut (1/4-20)	1	3
12	A	1121226-NLA	NLA - Hardware, Frame (Pair)	2	1
13		1121206-NLA	NLA - Decal, Frame - P9000XDT	1	2
14		1065530	Bearing, Flange (7/16")	1	2
15		1074930	Sleeve w/ Bearing, Black, Adult/Hemi	1	2
16	B	1121207-NLA	NLA - Frame Assembly with Bearings, Black - Right	1	1
16	B	1121208-NLA	NLA - Frame Assembly with Bearings, Black - Left	1	1
17		15680X013	Anti-Rattle (1")	1	2
18	C	1061112	Anti-Tipper, For Chairs with 6" Fork & Caster - 1360A (Pair)	2	1

NOTE: A - Includes items 1-11
 B - Includes items 14 and 15
 C - Includes 2 Anti-Tippers and Instruction Sheet

Crossbraces and Hardware

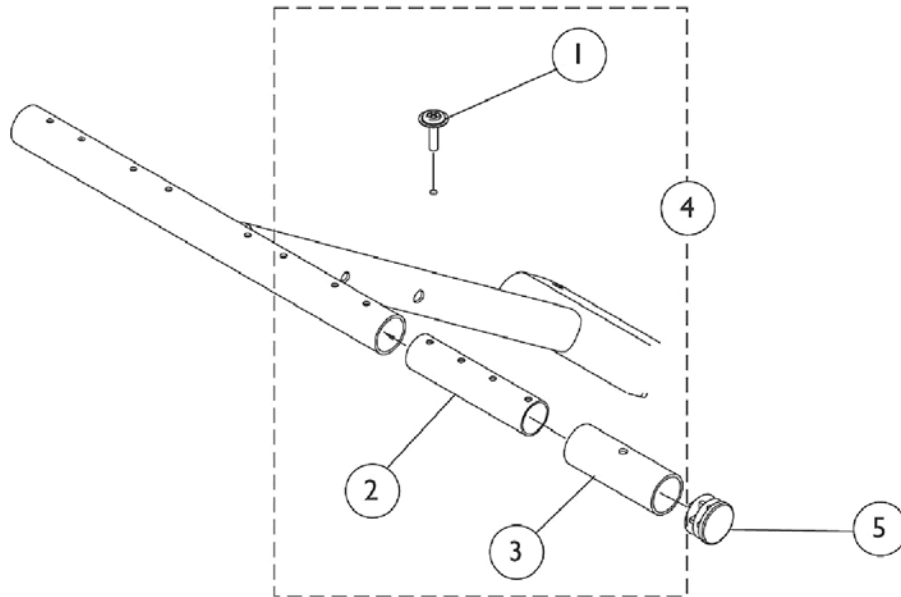


Crossbraces and Hardware

Item Number	Note	Part Number	Description	Quantity Per	
				Package	Assembly
1		1029501	Plug Button, Black (1")	1	4
2		1008432	Screw, Socket Button Head (1/4-20 x 1-1/4")	1	2
3		60275X000	Locknut (1/4-20)	1	8
4		1110001	Link, Pivot, Black (16 - 18" W)	1	2
5		1001762	Screw, Socket Button Head (1/4-20 x 1-3/4")	1	2
6		1008495	Screw, Socket Button Head (1/4-20 x 1-1/2")	1	4
7		1012172-NLA	NLA - Clamp, Saddle	1	2
8		1098625	Screw, Hex Head (5/16-24 x 3-1/2")	1	1
9		16308X000	Washer, Flat (5/16 x 11/16 x 1/16")	1	2
10		1037913-NLA	NLA - Bushing (5/16 x 7/16 x 9/32")	1	1
11		1016263	Spacer, Coved (3/4 x 1 x 1/2")	1	4
12		1016301	Washer, Nylon (5/16 x 7/8 x 1/8")	1	1
13		1025704	Washer, Flat (5/16 x 5/8 x 1/16")	1	1
14		1025730	Locknut (5/16-24)	1	1
15	A	1121209-NLA	NLA - Hardware, Crossbrace (Pair)	2	1
16		1109961	Crossbrace Assembly, Black (18" W)	1	2

NOTE: A - Includes items 1-14

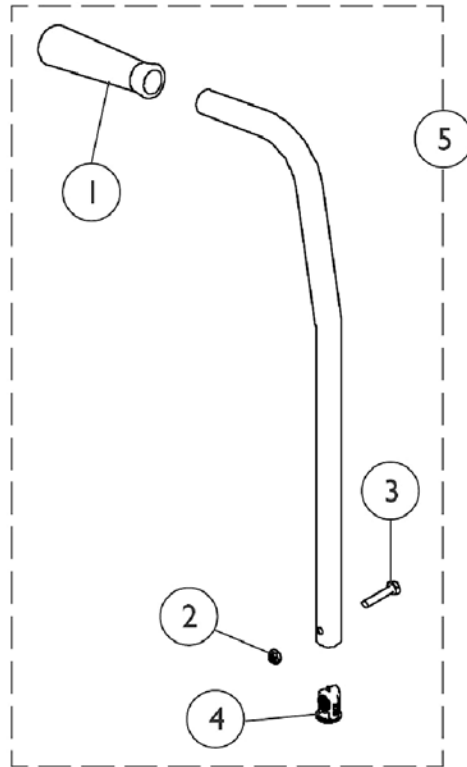
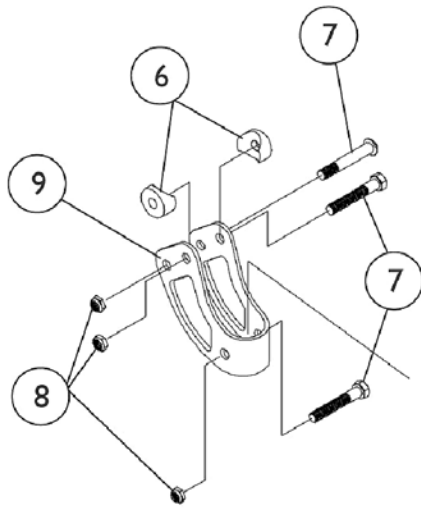
Seat Extension Kit



Item Number	Note	Part Number	Description	Quantity Per	
				Package	Assembly
1		1076283	Screw, Phillips Oval Head w/ Washer (#10-16 x 7/8")	1	2
2		1110089	Tube, Insert	1	2
3		1110090	Spacer	1	2
4	A	1110088	Kit, Extension, Seat (2") (Pair)	2	1
5		1029501	Plug Button, Black (1")	1	1

NOTE: A - Includes items 1-3

Back Canes and Attaching Hardware

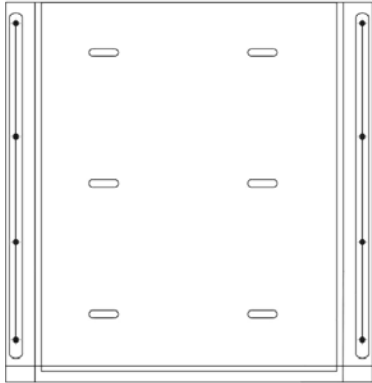


Back Canes and Attaching Hardware

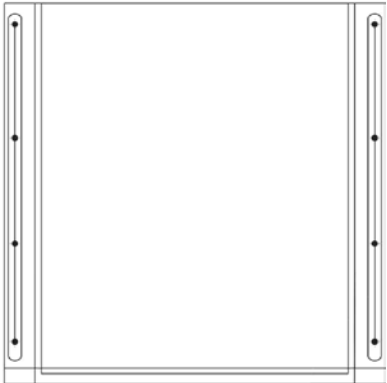
Item Number	Note	Part Number	Description	Quantity Per	
				Package	Assembly
1		1057248	Grip, Hand, Foam (4-3/4")	1	1
2		60275X000	Locknut (1/4-20)	1	1
3		1057955	Screw, Hex Head (1/4-20 x 1-1/4")	1	1
4		1056551	Insert	1	1
5	A	1091103	Back Cane Assembly, Black - Right/Left (17-19" H)	1	1
6		1025457	Spacer, Coved (1/4 x 3/4 x 11/32")	1	2
7		1030949	Screw, Hex Head (1/4-20 x 1-1/2")	1	3
8		1025195	NLA - Locknut (1/4-20)	1	3
9		1066261	Bracket, Armrest, Black	1	1

NOTE: A - Includes items 1-4

Seat / Back Upholstery and Positioning Strap



Seat Upholstery - Nylon



Back Upholstery - Nylon

Seat Upholstery - Nylon (Black)

Width x Depth	Part Number
18 x 16" See Note(s) A	1127533
18 x 18"	1127534 See Note(s) A

NOTE: A - Upholstery includes attaching hardware

Seat / Back Upholstery and Positioning Strap

Back Upholstery - Nylon (Black)

Back Height	Part Number
17-19" See Note(s) A	1127483

NOTE: A - Upholstery includes attaching hardware

Seat Upholstery Hardware

Seat Upholstery Size	Part Number
18"W x 16"D	1041541 See Note(s) A
18"W x 18"D	1041541 See Note(s) A

NOTE: A - Includes 12 ea. Screws w/ Washers (#10 x 7/8")

Back Upholstery Hardware

Back Upholstery Size	Part Number
17-19" High	1091073 See Note(s) A

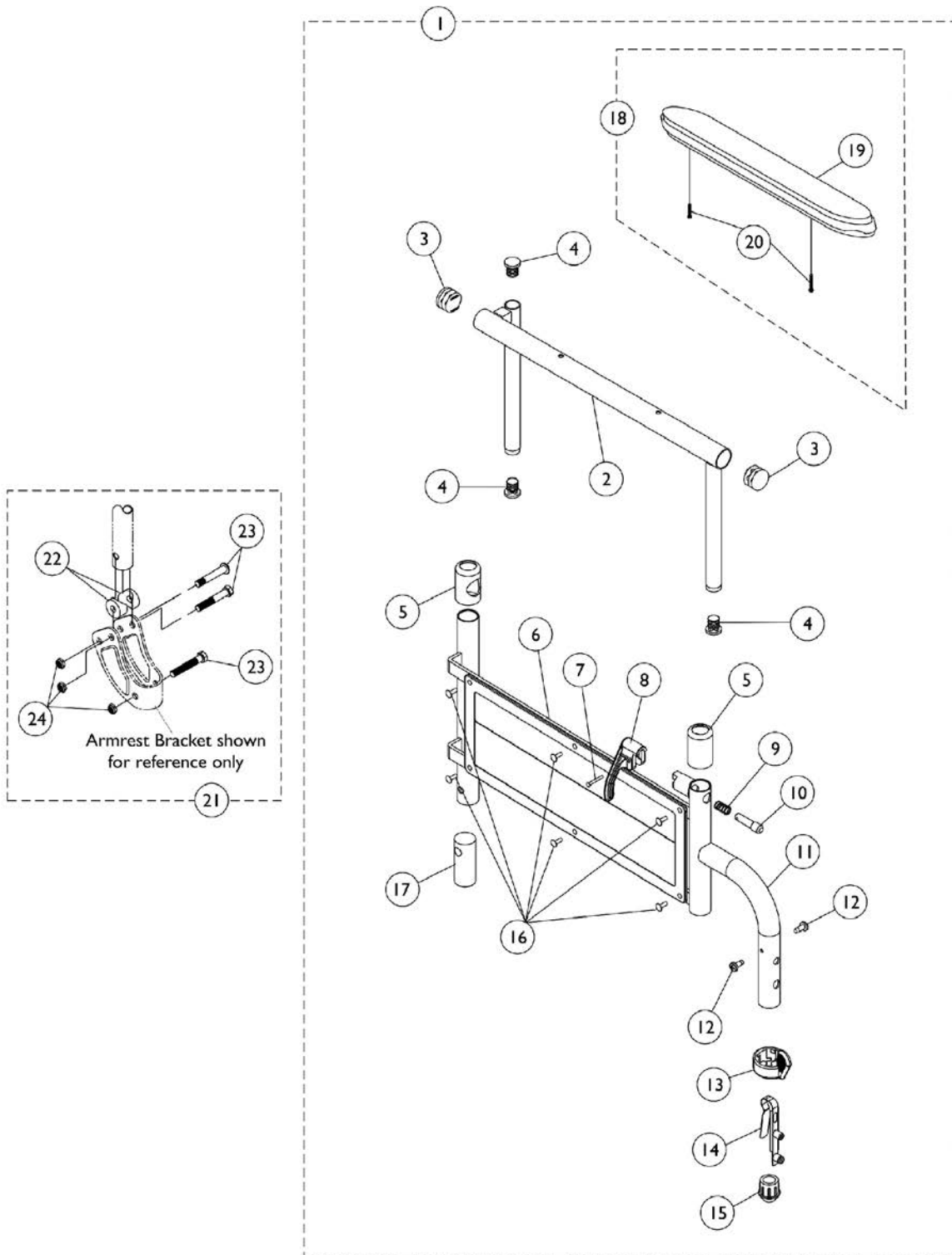
NOTE: A - Includes 6 ea. Screws w/ Washers (#10 x 7/8")

Auto Style Push Button Positioning Strap

Chair Width	Part Number	Seat/Chest Positioning Strap w/ Auto Style Buckle Length (Eyelet to Eyelet)
18" Wide	1004310	48" L

Adjustable Height Space Saver Arms

79/89 Style Arm



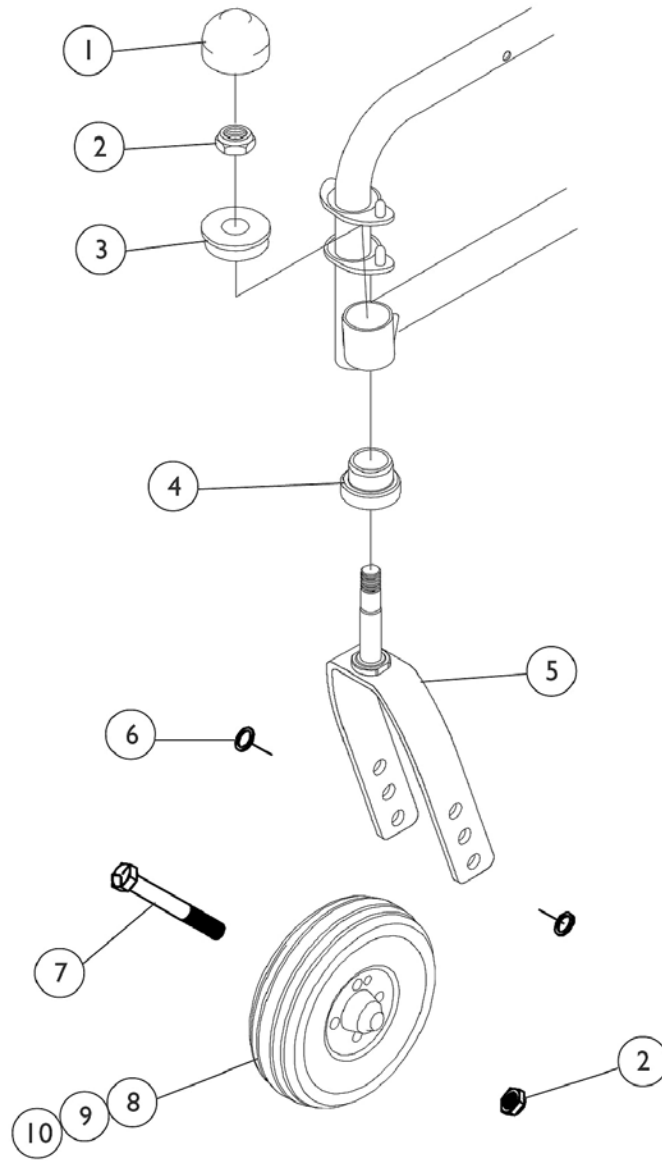
Adjustable Height Space Saver Arms 79/89 Style Arm

Item Number	Note	Part Number	Description	Quantity Per	
				Package	Assembly
1	A,E	8881135546	Kit, Armrest, Desk Length, Black - Right (Style 89)	1	1
2			Tube, Armrest, Desk, Black - Right	1	1
3			Plug Button, Black (5/8")	1	3
4			Plug Button, Black (7/8")	1	2
5			Anti-Rattle	1	2
6			Guard, Clothing	1	1
7			Handle, Lock, Black - Right	1	1
8			Rivet, Tubular	1	1
9			Spring, Arm Lock	1	1
10			Pin, Locking	1	1
11			Base, Arm, Black - Right	1	1
12			Screw, Phillips Pan Head Tap (#6-20 x 3/8")	1	2
13			Handle, Quad Release	1	1
14			Spring, Torsion with Button Lock	1	1
15			Plug, Armrest, Black (3/4") (18GA)	1	1
16			Rivet	1	6
17			Insert, Arm, Black	1	1
19			Arm Pad, Desk Length w/ Law Label	1	1
20			Package, Screw Phillips Pan Head (#10-32 x 1-1/8")	1	2
1			A,E	8881135547	Kit, Armrest, Desk Length, Black - Left (Style 89)
2	Tube, Armrest, Desk, Black - Left	1			1
3	Plug Button, Black (5/8")	1			3
4	Plug Button, Black (7/8")	1			2
5	Anti-Rattle	1			2
6	Guard, Clothing	1			1
7	Handle, Lock, Black - Left	1			1
8	Rivet, Tubular	1			1
9	Spring, Arm Lock	1			1
10	Pin, Locking	1			1
11	Base, Arm, Black - Left	1			1
12	Screw, Phillips Pan Head Tap (#6-20 x 3/8")	1			2
13	Handle, Quad Release	1			1
14	Spring, Torsion with Button Lock	1			1
15	Plug, Armrest, Black (3/4") (18GA)	1			1
16	Rivet	1			6
17	Insert, Arm, Black	1			1
19	Arm Pad, Desk Length w/ Law Label	1			1
20	Package, Screw Phillips Pan Head (#10-32 x 1-1/8")	1			2
	B	1101333-NLA			NLA - Decal, Invacare Logo (2.75)
18	C,E	8881127510	Kit, Arm Pad w/Screws - Desk Length	1	1
19			Arm Pad, Desk Length w/ Law Label	1	1
20			Package, Screw Phillips Pan Head (#10-32 x 1-1/8")	1	2
21	D	1121529-NLA	NLA - Kit, Arm Attaching Hardware	1	1

Adjustable Height Space Saver Arms 79/89 Style Arm

Item Number	Note	Part Number	Description	Quantity Per	
				Package	Assembly
22			Spacer, Coved (1/4 x 3/4 x 11/32")	1	4
23			Screw, Hex Head (1/4-20 x 1-1/2")	1	6
24			NLA - Locknut (1/4-20)	1	6
NOTE: A - Includes items 2-20. B - Not Shown C - Includes items 19 and 20. D - Includes items 22-24. E - Specify upholstery color U67 (Black) when ordering.					

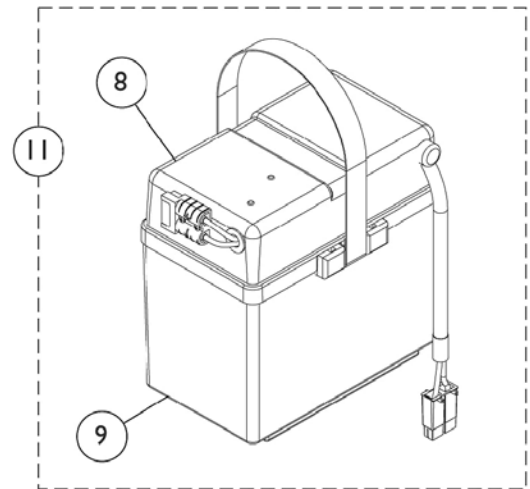
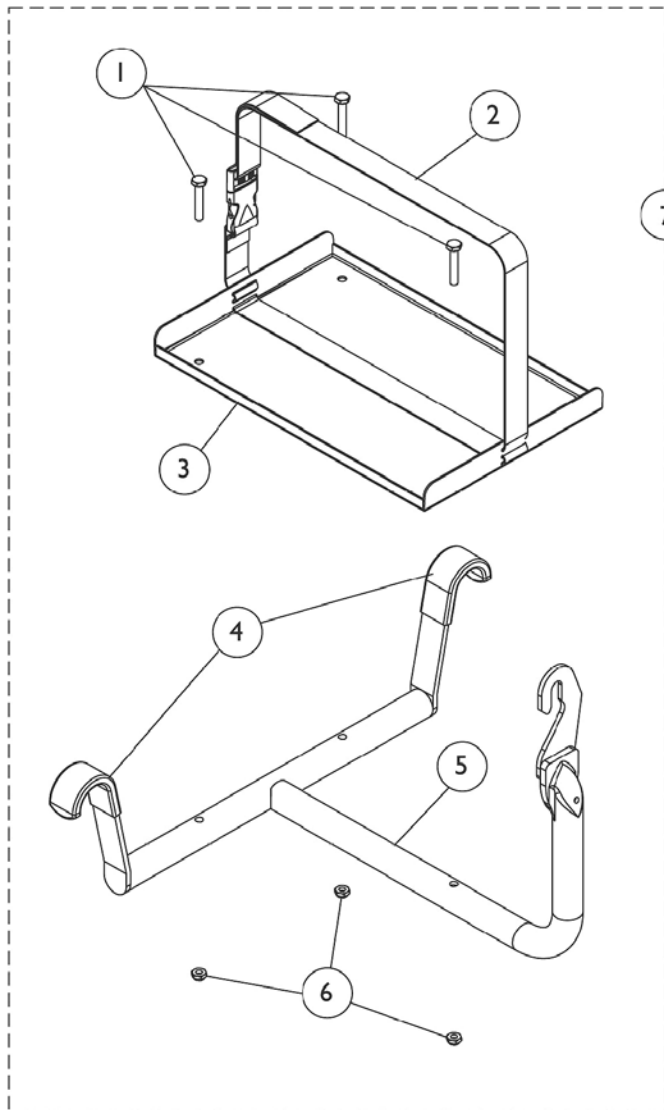
Casters, Forks, and Hardware



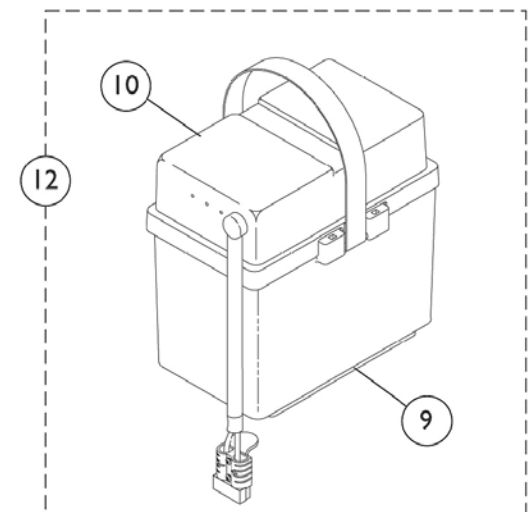
Casters, Forks, and Hardware

Item Number	Note	Part Number	Description	Quantity Per	
				Package	Assembly
1		1001843	Cap, Head Tube, Black	1	1
2		20225X000	Locknut (7/16-20)	1	2
3		1065530	Bearing, Flange (7/16")	1	1
4		1074930	Sleeve w/ Bearing, Black, Adult/Hemi	1	1
5		1065589	Fork and Stem Assembly, Adult/Hemi	1	1
6		1016032	Washer, Steel (15/32 x 5/8 x 3/64")	1	2
7		57667P007	Screw, Hex Head (7/16-20 x 3-1/4")	1	1
8		1070811	Wheel Assembly, Semi-Pneumatic, Urethane, Light Grey (8" x 1-3/4")	1	1
9		1020592	Spacer, Bearing (7/16 x 5/8 x 1-3/4")	1	1
10		1006049	Bearing (7/16")	1	2

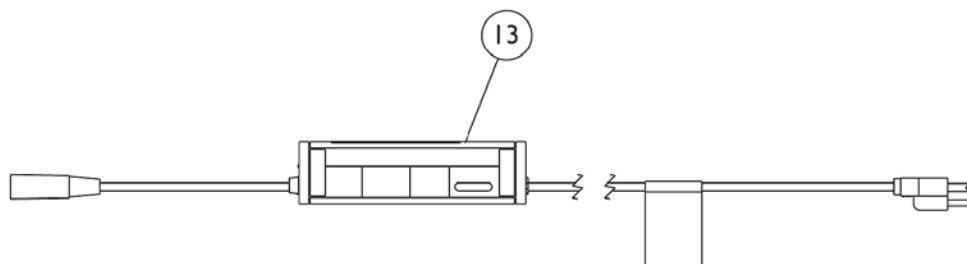
Battery Tray, Battery Boxes, and Battery Charger



Front Battery Box



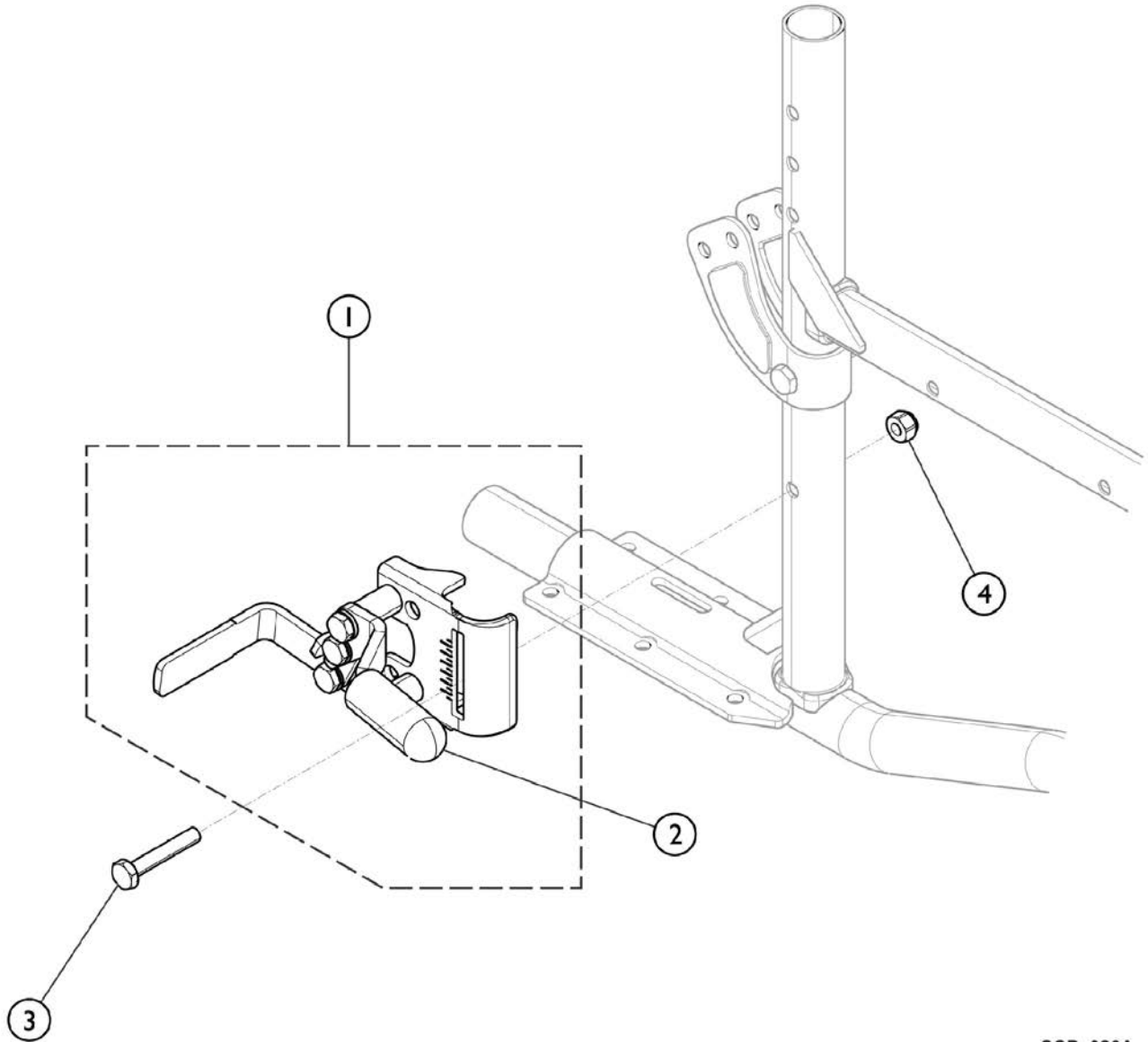
Rear Battery Box



Battery Tray, Battery Boxes, and Battery Charger

Item Number	Note	Part Number	Description	Quantity Per	
				Package	Assembly
1		1008495	Screw, Socket Button Head (1/4-20 x 1-1/2")	1	3
2		1107671	Buckle with Strap	1	1
3		1121236-NLA	NLA - Tray, Battery	1	1
4		1107153-NLA	NLA - Cover, Hanger	1	2
5		1121222-NLA	NLA - Hanger, Battery Tray	1	1
6		1025195	NLA - Locknut (1/4-20)	1	3
7	A	1121225-NLA	NLA - Battery Tray Assembly	1	1
8		1115248-NLA	NLA - Top, Battery Box, Front, 22NF	1	1
9		1057944	Battery Box Bottom with Strap, 22NF	1	1
	B	1058618-NLA	NLA - Hardware, Battery Terminal, 22NF Batteries (Pair)	2	1
10		1097003	Battery Box Top, Rear, 22NF	1	1
11	C	1115917-NLA	NLA - Battery Box Assembly, Front, 22NF	1	1
	B	1107651-NLA	NLA - Decal, Front Battery Cover	1	1
12	D	1097007	Battery Box Assembly, Rear, 22NF	1	1
	B	1107652-NLA	NLA - Decal, Rear Battery Cover	1	1
13		1121089	Charger, Battery, 3 Amp, Off Board	1	1
13		1121089E-NLA	NLA - WARR RPLMT - Charger, Battery, 3 Amp (Off Board)	1	1
NOTE: A - Includes items 1-6 B - Not Shown C - Includes items 8-9 D - Includes items 9-10					

Wheel Locks

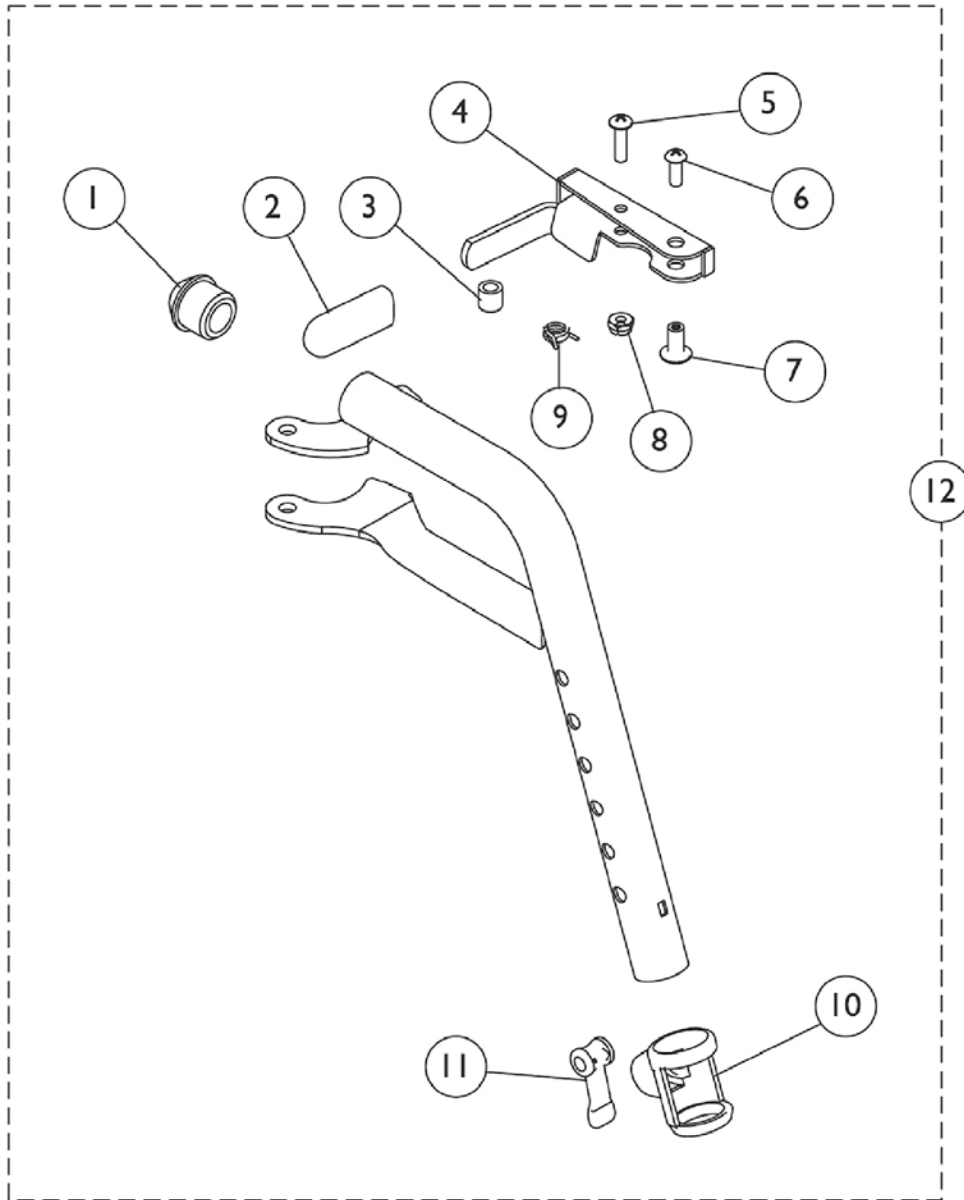


SCP_026A

Wheel Locks

Item Number	Note	Part Number	Description	Quantity Per	
				Package	Assembly
1		1191494-NLA	NLA - Wheel Lock Assembly, Pull to Lock, Black - Right	1	1
1		1191495-NLA	NLA - Wheel Lock Assembly, Pull to Lock, Black - Left	1	1
2		47376X024	Tip, Rubber Wheel Lock Handle, Black	1	1
3		1030949	Screw, Hex Head (1/4-20 x 1-1/2")	1	1
4		1025736	Locknut (1/4-20)	1	1

Footrest Support Assembly T93H



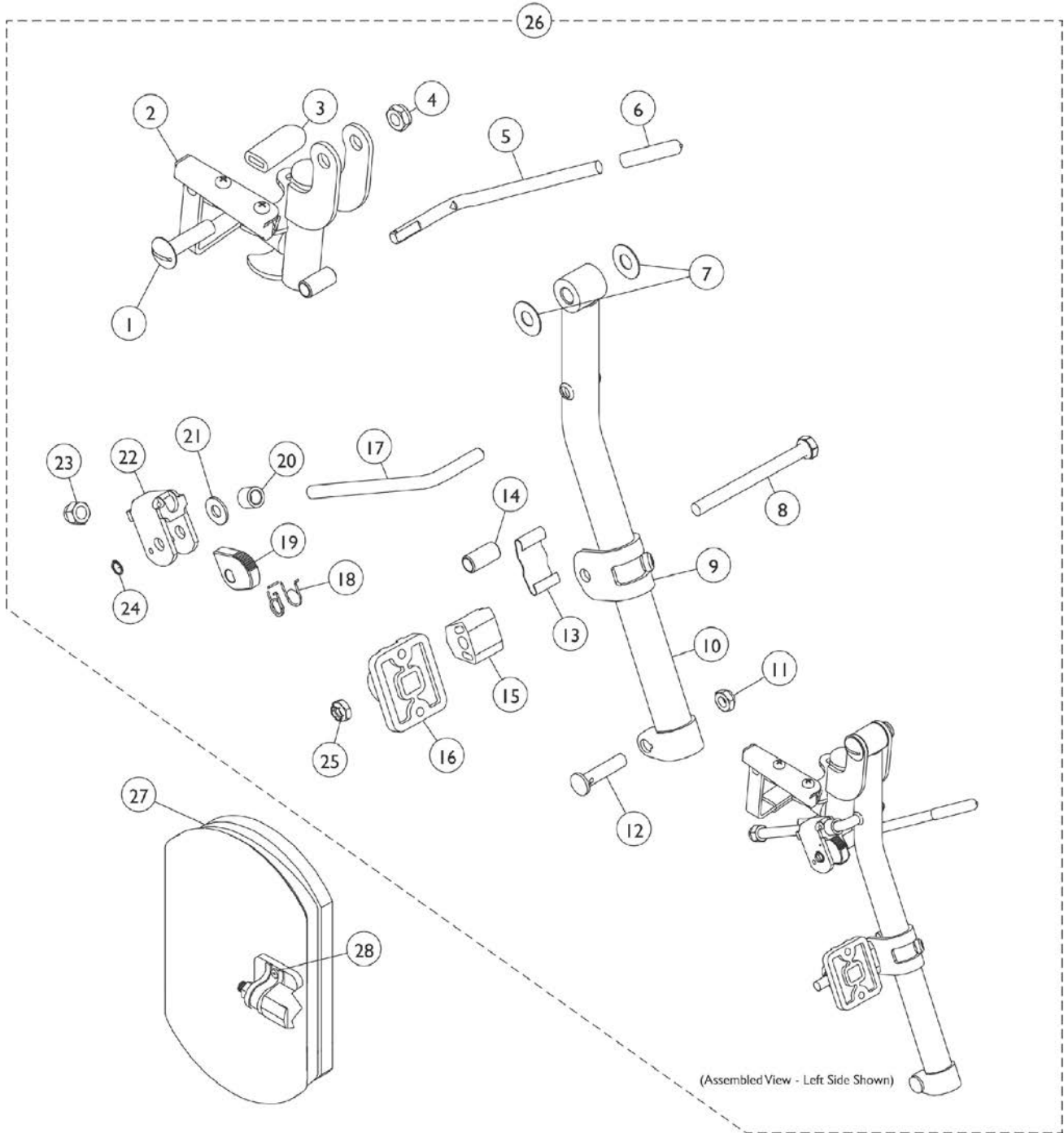
Footrest Support Assembly T93H

Item Number	Note	Part Number	Description	Quantity Per	
				Package	Assembly
1		1020719	Anti-Rattle, Black	1	1
2		1006490	Tip, Plastic, Black	1	1
3		47565X057	Bushing (7/32 x 3/8 x 11/32")	1	1
4		1110178	Handle, Release, Black - Right	1	1
4		1110179	Handle, Release, Black - Left	1	1
5		1025716	Screw, Phillips Pan Head (#10-32 x 11/16")	1	1
6		1026114	Screw, Phillips Pan Head (#10-32 x 1/2")	1	1
7		1028846-NLA	NLA - Rivnut (#10-32)	1	1
8		1025735	Locknut (#10-32)	1	1
9		1028707	Spring, Release - Right	1	1
9		1028708	Spring, Release - Left	1	1
10		1048085	Housing, Cam	1	1
11		1048086	Lever, Cam, Black	1	1
12	A	8881118241	Footrest Support Assembly, Hemi, Color - Right	1	1
12	A	8881118242	Footrest Support Assembly, Hemi, Color - Left	1	1

NOTE: A - Includes items 1-11

Legrest Support Assembly PH904A

Due to a change to the Legrest Calf Pad size made on 4/23/12, you must also order the hardware kit (1068649) when ordering replacement Calf Pads.



Legrest Support Assembly

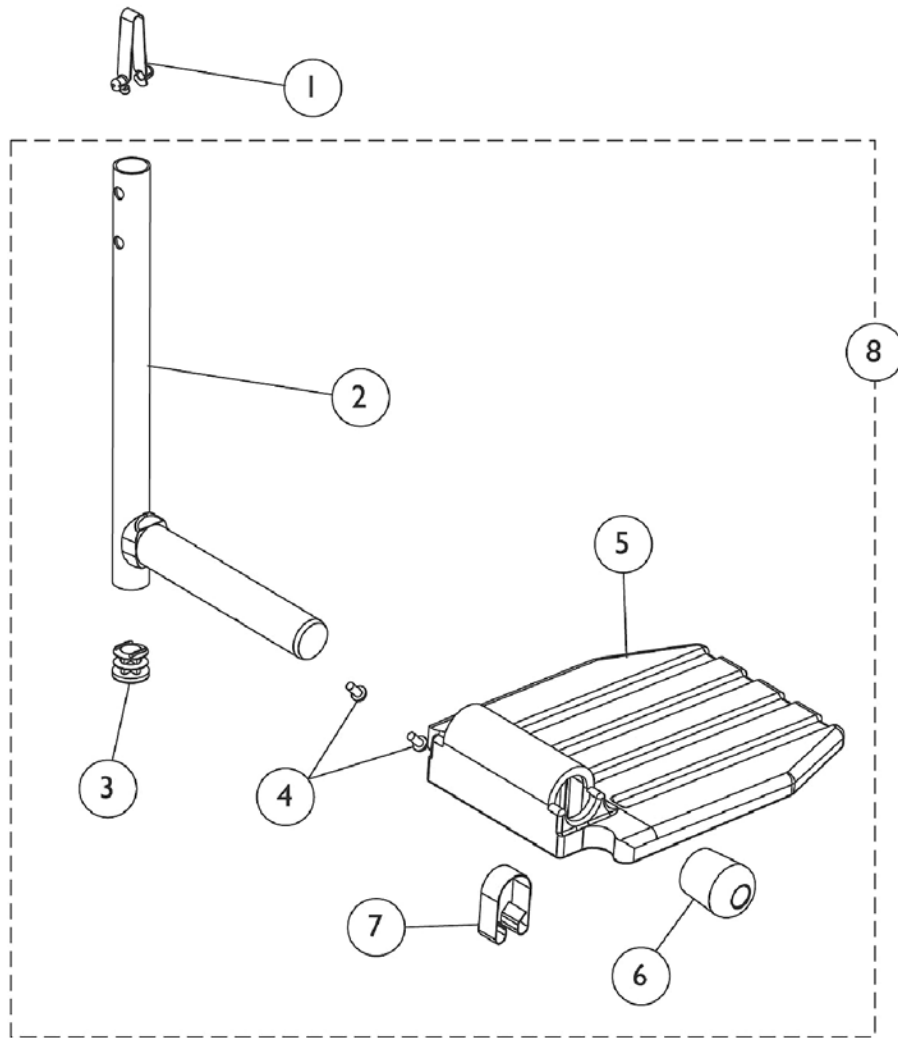
PH904A

Due to a change to the Legrest Calf Pad size made on 4/23/12, you must also order the hardware kit (1068649) when ordering replacement Calf Pads.

Item Number	Note	Part Number	Description	Quantity Per	
				Package	Assembly
1		11919X000-NLA	NLA - Screw, Slotted Truss Head (3/8-16 x 1-1/2")	1	1
2		1114753	Legrest Support Assembly, Black - Right	1	1
2		1114754	Legrest Support Assembly, Black - Left	1	1
3		1006490	Tip, Plastic, Black	1	1
4		40363X000	Hex Nut (3/8"-16)	1	1
5		1037126	Handle, Release	1	1
6		1040060	Tip, Plastic, Black	1	1
7		1058636-NLA	NLA - Washer, Nylon (25/64 x 7/8 x 1/32")	1	2
8		1014807	Screw, Hex Head (5/16-24 x 3-1/4")	1	1
9		1110207	Bracket, Calf Pad Mounting, Black	1	1
10	C	8881048851	Tube, Elevating Adjustable Support, Color - Right	1	1
10	C	8881048852	Tube, Elevating Adjustable Support, Color - Left	1	1
11		1107321	Nut, Low Cap (5/16"-24)	1	1
12		1026030	Bolt, Lug (5/16-24 x 1-3/8")	1	1
13		48823X008	Spring, Leaf	1	1
14		47328X003	Bushing, Pivot (5/16 x 7/16 x 7/8")	1	1
15		1025133	Spacer, Legrest Pad, Black	1	1
16		04526X019	Plate, Legrest Pad	1	1
17		1113030	Bar, Ratchet	1	1
18		1037485	Spring, Release	1	1
19		1037125	Cam, Legrest	1	1
20		47328X003	Bushing, Pivot (5/16 x 7/16 x 7/8")	1	1
21		1013519	Washer, Nylon (5/16 x 11/16 x 1/16")	1	1
22		04528X002	Bracket, Release, Black	1	1
23		10261X000	Nut, Acorn (5/16-24)	1	1
24		1040831	Ring, Snap	1	1
25		1025730	Locknut (5/16-24)	1	1
26	A,C	8881114757	Legrest Support Assembly, Hemi, Color - Right	1	1
26	A,C	8881114758	Legrest Support Assembly, Hemi, Color - Left	1	1
27	B,E	8881091764	Pad, Legrest, Vinyl - Right/Left	1	1
28		1068649	Hardware, Legrest Pad	1	1
			Screw, Phillips Pan Head (#10-32 x 11/16")	1	2
			Screw, Phillips Pan Head (#10-32 x 1")	1	2
			Instruction Sheet, Legrest Pad Mtg.	1	1

NOTE: A - Includes items 1-25.
 B - Specify U67 Black upholstery color when ordering.
 C - Specify 34P Flat Black Frame Finish When Ordering.
 E - Due to a change to the Legrest Calf Pad size made on 4/23/12, you must also order the hardware kit (1068649) when ordering replacement Calf Pads.

Pivot Slide Tube w/ Footplate - Footrest T93HA

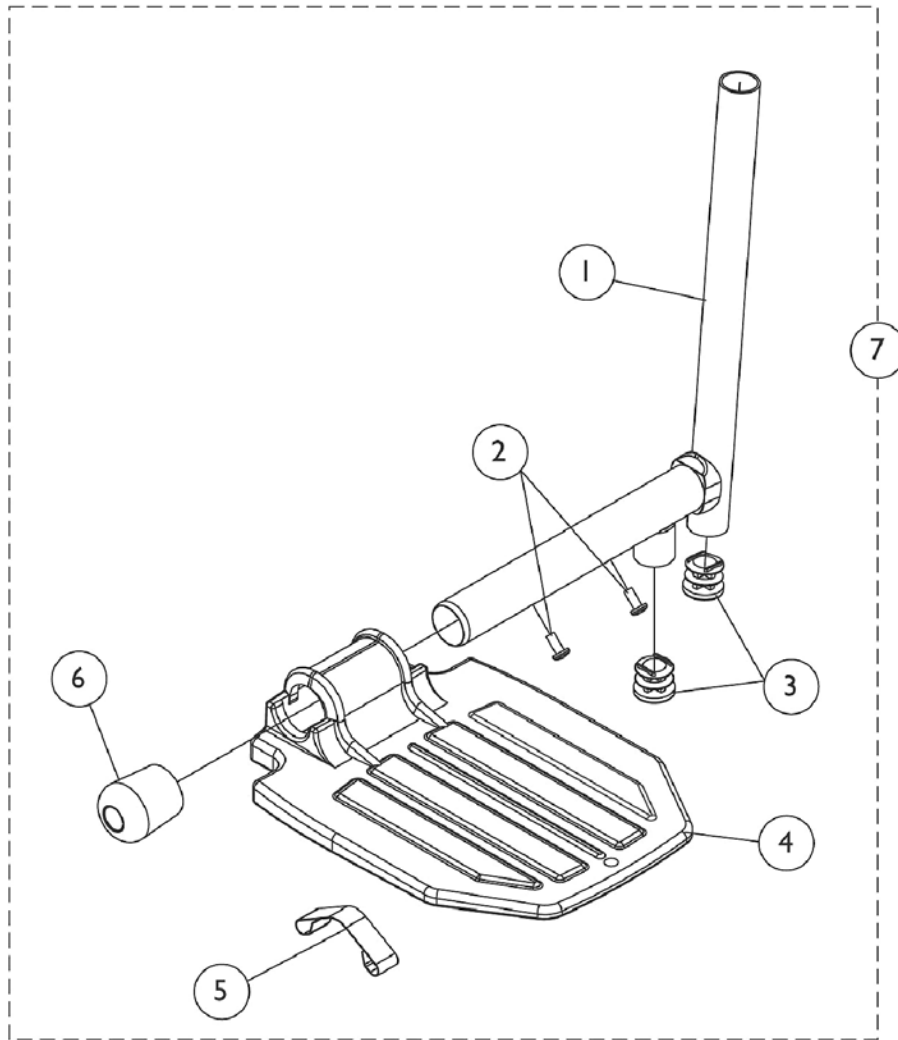


Pivot Slide Tube w/ Footplate - Footrest T93HA

Item Number	Note	Part Number	Description	Quantity Per	
				Package	Assembly
1		1053041-NLA	NLA - Spring, Torsion w/ Double Buttons	1	1
2		1111277	Pivot/Slide Tube w/ Plug Button, Footrest, Black	1	1
3		1027097	Plug Button, Black (3/4")	1	1
4		40120X001	Screw, Phillips Pan Head (#8-32 x 3/8")	1	2
5		44200X027	Footplate, Aluminum, Medium, Black (7-3/4" W x 6" L)	1	1
6		1016346	Cap, End, Tube, Black (7/8")	1	1
7		1006981	Spring, Tension	1	1
8	A	1111285	Pivot/Slide Tube w/ Aluminum Footplate Assembly, Black - Right	1	1
8	A	1111286	Pivot/Slide Tube w/ Aluminum Footplate Assembly, Black - Left	1	1

NOTE: A - Includes items 2-7

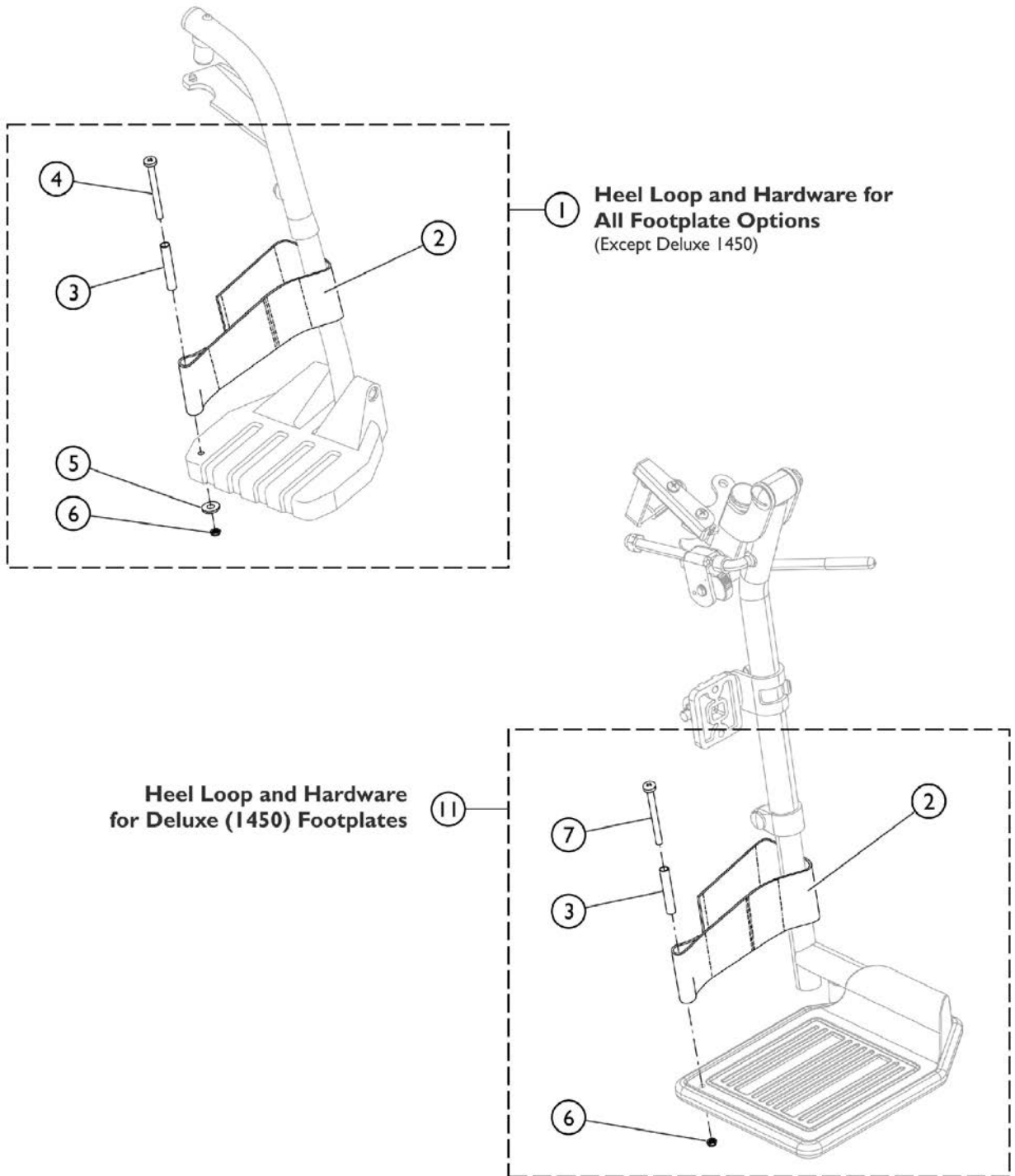
Pivot Slide Tube w/ Footplate - Legrest PH904A



Pivot Slide Tube w/ Footplate - Legrest PH904A

Item Number	Note	Part Number	Description	Quantity Per	
				Package	Assembly
1		1100568-NLA	NLA - Pivot/Slide Tube w/ Plug Button, Black	1	1
2		40120X001	Screw, Phillips Pan Head (#8-32 x 3/8")	1	2
3		1027097	Plug Button, Black (3/4")	1	2
4		44200X027	Footplate, Aluminum, Medium, Black (7-3/4" W x 6" L)	1	1
5		1006981	Spring, Tension	1	1
6		1016346	Cap, End, Tube, Black (7/8")	1	1
7		1058604	Pivot/Slide Tube w/ Aluminum Footplate, Black - Right	1	1
7		1058605	Pivot/Slide Tube Assembly w/ Aluminum Footplate, Black - Left	1	1

Front Riggings - Adjustable Heel Loops



SCM_058A

Front Riggings - Adjustable Heel Loops

Item Number	Note	Part Number	Description	Quantity Per	
				Package	Assembly
1	A	1191117	Kit, Heel Loop, Adjustable w/ Hardware (Pair)	1	1
2			Heel Loop	1	2
3			NLA - Spacer (1/4 x 11/32 x 1-3/4")	1	2
4			NLA - Screw, Phillips Pan Head (1/4-20 x 2-1/4")	1	2
5			Washer, Flat (1/4 x 5/8 x 1/16")	1	2
6			Nut, Hex, Nylon Cap (1/4-20)	1	2
			Instruction Sheet, Adjustable Heel Loop	1	1
11	B	1191116	Kit, Heel Loop, Adjustable w/ Hardware, Deluxe 1450 (Pair)	1	1
2			Heel Loop	1	2
3			NLA - Spacer (1/4 x 11/32 x 1-3/4")	1	2
6			Nut, Hex, Nylon Cap (1/4-20)	1	2
7			NLA - Screw, Phillips Pan Head (1/4-20 x 2-1/2")	1	2
			Instruction Sheet, Adjustable Heel Loop	1	1

NOTE: A - Kit includes items 2 - 6. Used with all Footplates except Deluxe (1450).
 B - Kit includes items 2, 3, 6, and item 7. Used with Deluxe (1450) Footplates only.

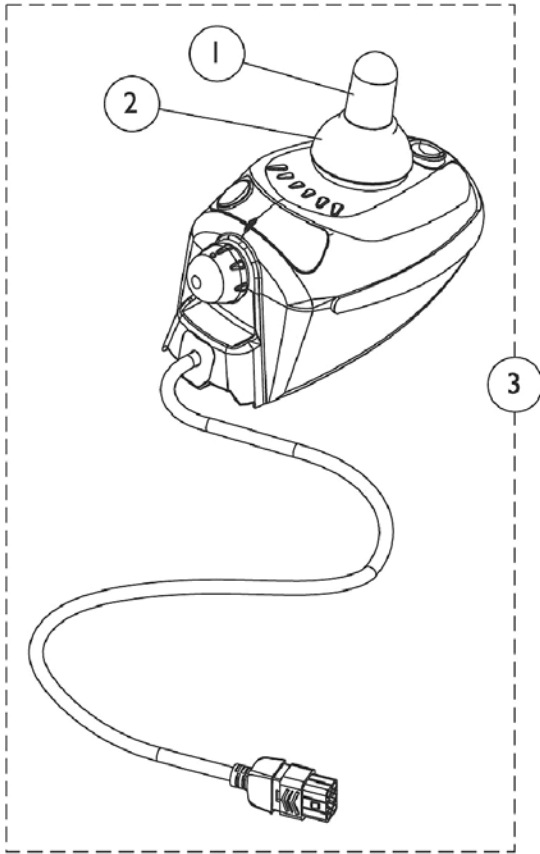
Heel Loops

Heel Loops and Hardware

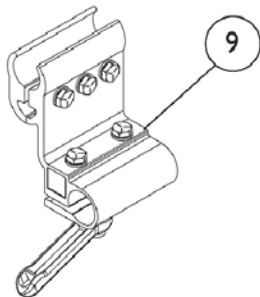
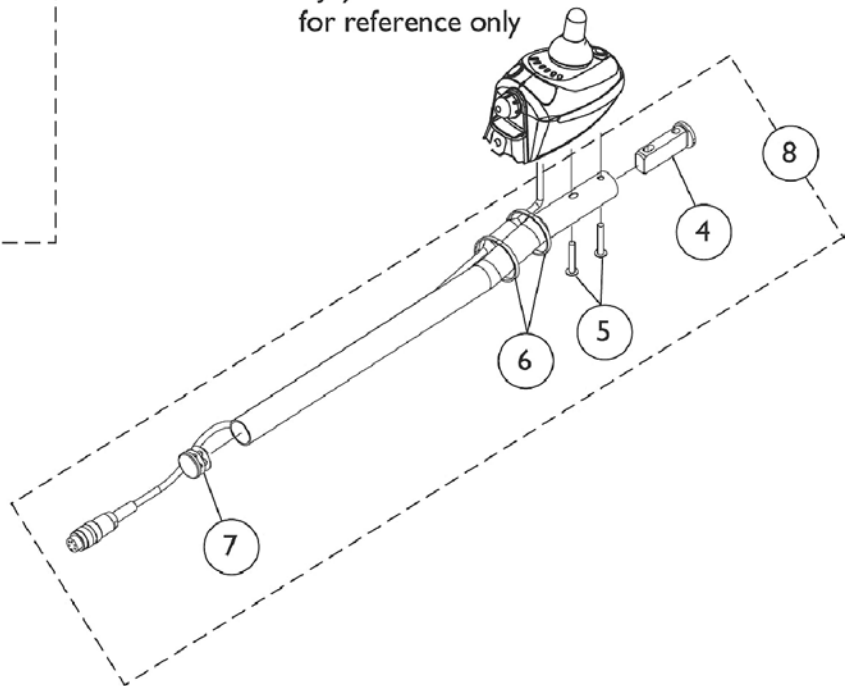
Description	Front Rigging Type	Part Number
Heel Loops (1 Pair)	Footrests and Legrests	1035929
Heel Loop Hardware (1 Pair) See Note(s) B	Footrests	1035926 See Note(s) B
Heel Loop Hardware (1 Pair) See Note(s) A	Legrests	1035907 See Note(s) A

NOTE: A - Includes 2 ea. Spacers, Screws, and Locknuts
B - Includes 2 ea. Spacers, Screws, Washers, and Locknuts.

MK5 CSPJ Joystick



Joystick shown
for reference only

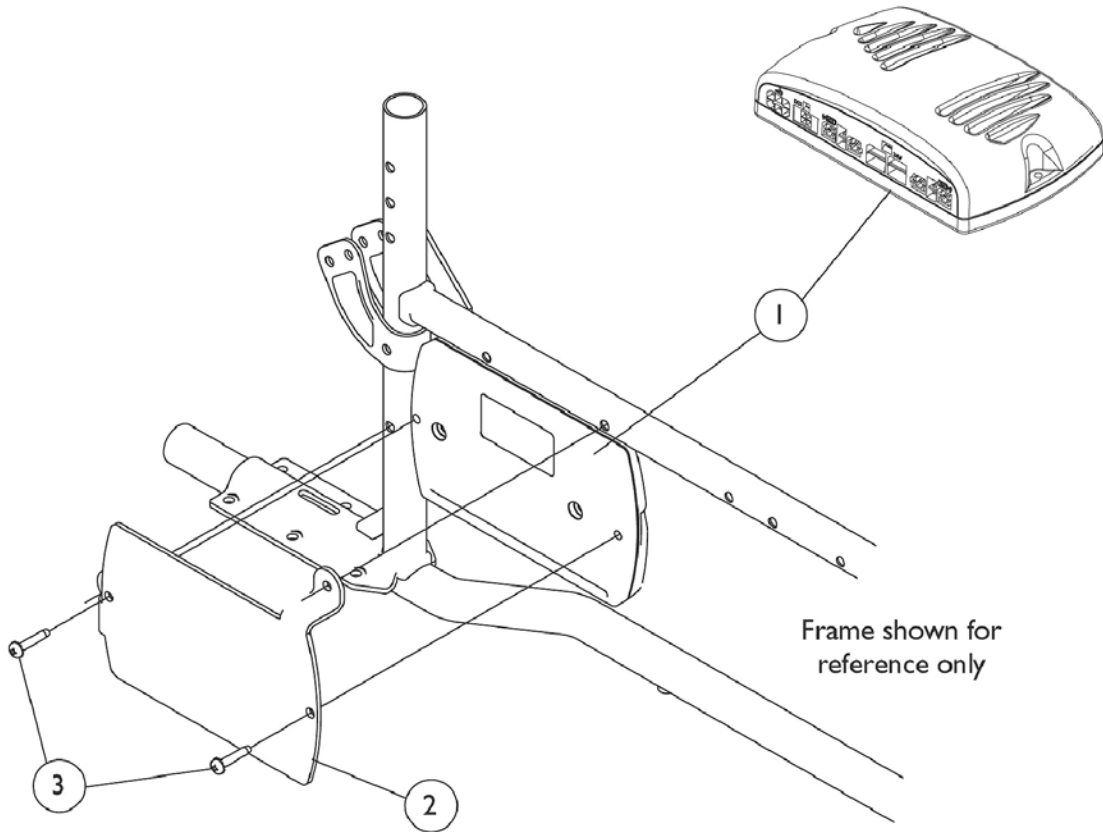


MK5 CSPJ Joystick

Item Number	Note	Part Number	Description	Quantity Per	
				Package	Assembly
1		1040217	Knob, Joystick Rubber, Black	1	1
2		1040218	Skirt, Joystick Rubber, Black	1	1
3		1121239	Joystick, MK5 CSPJ	1	1
4		1093063	Spacer, Joystick Tube, Black	1	1
5		1025714	Screw, Phillips Pan Head (#10-32 x 1-1/8")	1	2
6		1095502-NLA	NLA - Package, Tie Wrap (11-1/2" L)	10	2
7		1027095	Plug Button, Black (7/8")	1	1
8	A	1093069	Kit, 1/2" Offset Joystick Tube with Hardware	1	1
9		1093071	Clamp, Fixed Height Joystick Tube	1	1

NOTE: A - Includes items 4-7

MK5 NX Controller

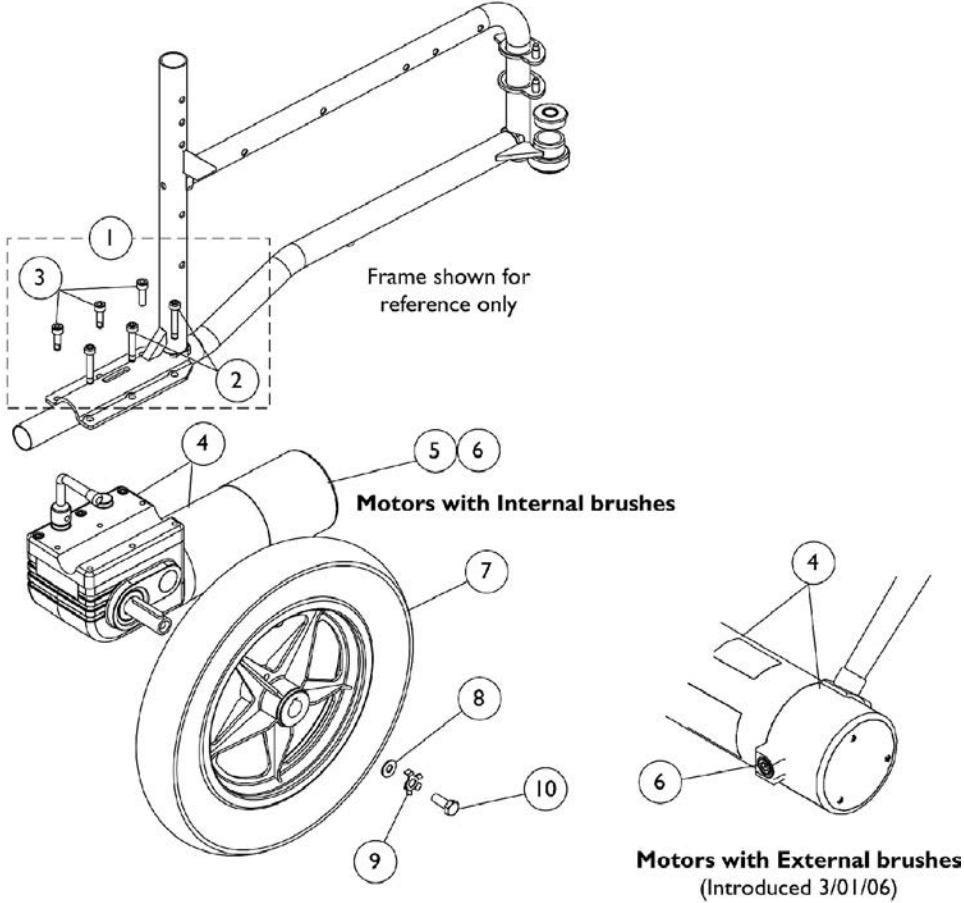


MK5 NX Controller

Item Number	Note	Part Number	Description	Quantity Per	
				Package	Assembly
1	A	1109530	Controller, MK5 NX	1	1
1	A	1109530E-NLA	NLA - WARR RPLMT - Controller, MK5 NX	1	1
2		1121213-NLA	NLA = Bracket, Controller Mounting, Black	1	1
3		1113439-NLA	NLA - Screw, Phillips Pan Head Tap (#10-32 x 1")	1	2

NOTE: A - The Invacare Virtual Service software is not compatible with the MK5 NX controller

Motors, Drive Wheels, and Attaching Hardware

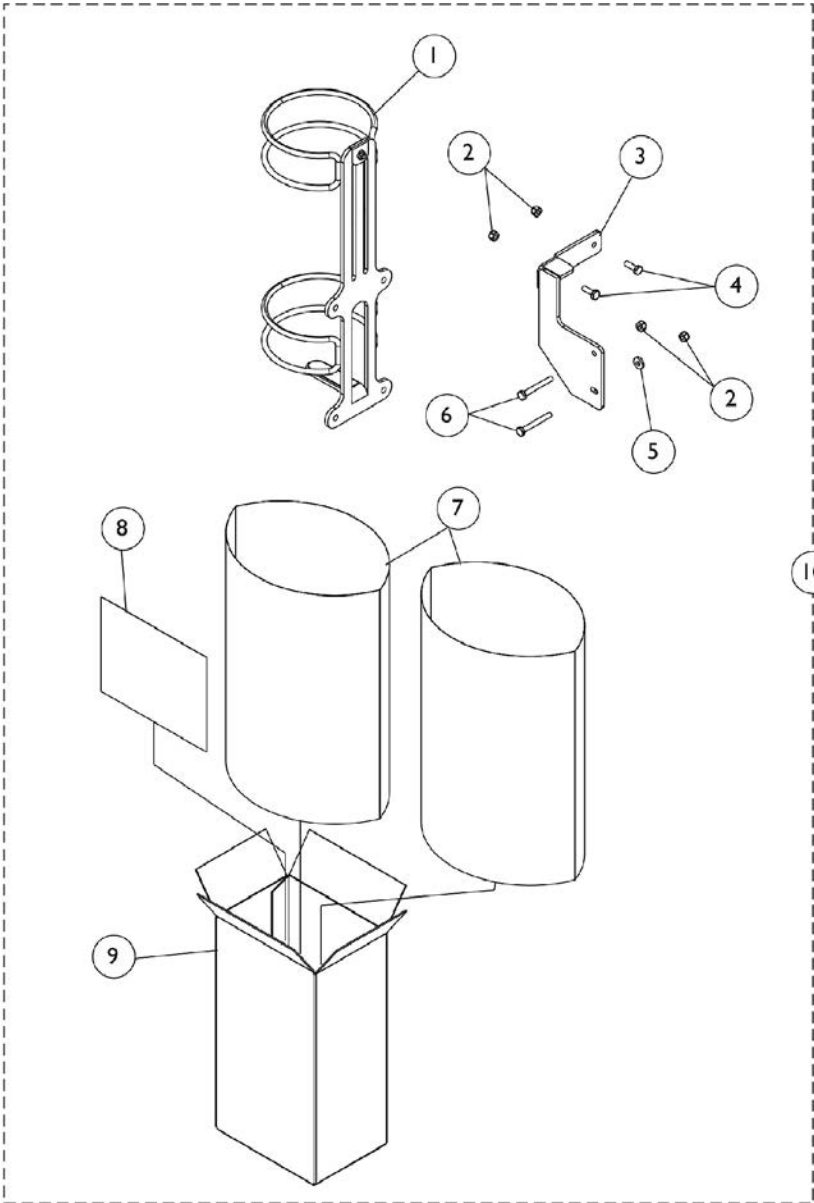


Motors, Drive Wheels, and Attaching Hardware

Item Number	Note	Part Number	Description	Quantity Per	
				Package	Assembly
1	F	1141284	Kit, Motor Mounting Hardware	1	1
2			NLA - Screw, Socket Head (M6 x 1 x 30mm)	1	3
3			Screw, Socket w/ Patch (M6 x 1 x 20mm)	1	3
4	D	1111707	Motor/Gearbox Assembly - Right	1	1
4	D	1111708	Motor/Gearbox Assembly - Left	1	1
4	E	1141282	Motor/Gearbox Assembly - Right	1	1
4	E	1141283	Motor/Gearbox Assembly - Left	1	1
5	D	1038361-NLA	NLA - Kit, Motor/Brake Covers with Screws	2	1
6	A,D	1123528-NLA	NLA - Kit, Motor Brush - Internal (Large)	2	1
6	B,E	1137265-NLA	NLA - Kit, Motor Brush w/ Cap - External (Pair)	2	1
	C	1122164	Instruction Sheet, Motor Brush Kit	1	1
7	G	1064177	Drive Wheel Assembly, 5 Spoke w/ Foam Fill Insert (12-1/2 x 2-1/4") Includes: Locking Tab Washer with Instruction Sheet	1	1
8		1079247	Washer, Flat (21/64 x 53/64 x 7/64")	1	1
9		1064179	Kit, Locking Tab Washer w/ Instruction Sheet (Pair)	2	1
10		1023260	Screw (M8 x 1.25 x 20mm)	1	1

NOTE: A - For motors with internal brushes. Includes 2 ea. brushes and 1 ea. instruction sheet.
 B - For motors with external brushes. Includes 2 ea. brushes, 2 ea. brush caps, and 1 ea. instruction sheet.
 C - Not Shown
 D - Chairs built Before 3/01/06
 E - Chairs built After 2/28/06. Due to alternate suppliers, replacement motors may contain either internal or external motor brushes.
 F - Includes items 2 and 3
 G - Includes locking tab washer and instruction sheet.

Oxygen Holder



Oxygen Holder

Item Number	Note	Part Number	Description	Quantity Per	
				Package	Assembly
1		1116948	Holder, Oxygen	1	1
2		1025736	Locknut (1/4-20)	1	4
3		1121216-NLA	NLA - Bracket, Oxygen Holder, Black	1	1
4		1025708-NLA	NLA - Bolt, Hex Head Cap (1/4-20 x 3/4")	1	2
5		1018739	Washer (1/4 x 5/8 x 3/32")	1	1
6		1024796-NLA	NLA - Screw, Hex Head (1/4-20 x 2")	1	2
7		1021866-NLA	NLA - Bag, Poly (26" L x 15" W)	1	2
8		1122135-NLA	NLA - Instruction Sheet, Oxygen Holder	1	1
9		1063960	Carton	1	1
10	A	1122318-NLA	NLA - Oxygen Holder Assembly	1	1

NOTE: A - Includes items 1-9

Power Wheelchair Tool Kit

1



Multimeter with Leads



Grounding Wire



1" Test Leads



Protractor/Angle Locator



Invacare Pen Light



Invacare Tape Measure



Invacare Phillips/Flat Head Screwdriver



MKIV Programmer



Virtual Service Charger Cable

Power Wheelchair Tool Kit

Item Number	Note	Part Number	Description	Quantity Per	
				Package	Assembly
1		1125222-NLA	NLA - Kit, Power Wheelchair Tool Includes: 1 ea. Multimeter with Leads 1 ea. Locator, Protractor/Angle Magnetic Base 1 ea. Instructions, MKIV Programmer 1 ea. Wire, Grounding with Hand Strap and Clip 1 ea. Leads, 1" Test 1 ea. Light, Pen with Invacare Logo 1 ea. Tape Measure, Compact with Invacare Logo 1 ea. Screwdriver, Pen-Size Phillips/Flat Head 1 ea. Cable, Virtual Service Charger/Modem	1	1

Warranty Replacement Parts

Part Number	Description	QTY per Assembly
1121089E-NLA See Note(s) A	WARR RPLMT - Charger, Battery, 3 Amp (Off Board)	1
1109530E-NLA See Note(s) B	WARR RPLMT - Controller, MK5 NX	1
NOTE: A - See "Battery - Controller - Cables & Charger" Category for additional information. B - See "Electronics - Controller" Category for additional information		

Invacare Corporation

www.invacare.com



Yes, you can.

One Invacare Way
Elyria, Oh USA
44036-2125
800-333-6900

Technical Support
800-832-4707
Customer Service
800-333-6900

Customer Service
800-333-6900

© 2022 Invacare Corporation. All rights reserved. Republication, duplication or modification in whole or in part is prohibited without prior written permission from Invacare. Trademarks are identified by [™] and ©. All trademarks are owned by or licensed to Invacare Corporation or its subsidiaries unless otherwise noted. (Revised 04/29/22)

Form No. 03-028