

**Pronto® M91™ with SureStep®
(Non-VA Chairs)**

Power Wheelchair



Yes, you can.

Parts Catalog Usage Guide

The information contained in this document is subject to change without notice. This catalog contains service parts for Form No. 02-014. If you have any questions regarding this catalog, please contact one of our Customer Service Representatives.

For Customer Service Support Call:

1-800-333-6900

For Faxed In Orders Call:

1-800-678-4682 or

1-440-366-0709

For Technical Service Call:

1-800-832-4707

Literature Can Be Found at:

www.invacare.com or

1-800-828-6272

SYMBOL DEFINITION

Throughout this catalog you will notice letters to draw your attention to specific footnotes which are located at the bottom of the page or below specified charts.

Examples:

A,B,C etc. = Special Comments

NOTE: = General information pertaining to that specific page

NLA = No Longer Available

HARDWARE MEASUREMENTS

The measurements for the hardware will be listed as follows:

Screws, Bolts Diameter X Thread Count/Pitch X Length

Washers Inside Diameter X Outside Diameter X Thickness

Spacers Inside Diameter X Outside Diameter X Length

For your convenience, we have supplied an area for you to list your Invacare Representatives.

Name	Phone Numbers

© 2022 Invacare Corporation. Elyria, Ohio. Invacare, Yes, you can., the Medallion Design, Pronto, and SureStep are registered trademarks and MKIV, MK5, NX, EX, SPJ, DPJ, MPJ, and M91 are trademarks of Invacare Corporation.

TABLE of CONTENTS

Description	Page Number
A: READ THIS FIRST (THIS CATALOG IS DIFFERENT!)	7
Accessories - Miscellaneous	206
Accessories - Oxygen Holder Assembly - ADJASBA Seats (After 10/03/05)	200
Accessories - Oxygen Holder Assembly - ASBA Seats (Before 10/04/05)	198
Accessories - Oxygen Holder Assembly - Van Seat (After 4/14/03)	204
Accessories - Oxygen Holder Assembly - Van Seat (Before 4/15/03)	202
Accessories - Power Wheelchair Tool Kit	209
Adapter - Mounting Hardware - Seat ADJASBA (After 10/03/05)	34
Adapter - Mounting Hardware - Seat ADJASBA with TRRO/TRBKTS	35
Arms - Adjustable Height	71
Arms - Fixed Height	68
Arms - Front/Rear Arm Socket Asbly. & Hdwr. - ADJASBA (After 10/03/05)	74
Arms - Mounting Swingaway Hardware - ASBA/ADJASBA	73
Arms - Mtg. Front/Rear Arm Socket Asbly. & Hdwr. - ADJASBA Seats with TRRO	75
Arms - Van Seat	77
Backs - Contoura - w/ Mounting Hardware - ADJASBA Only (Before 5/15/09)	60
Backs - Contoura - w/o Mounting Hardware - ADJASBA Only (Before 5/15/09)	57
Backs - Curve Contoura without Mounting Hardware (After 5/14/09)	62
Backs - Mounting Hardware - Curve Contoura (After 5/14/09)	66
Battery Chargers - Straps - Hardware (After 12/18/03)	135
Battery Chargers - Straps - Hardware (Before 12/19/03)	133

TABLE of CONTENTS

Description	Page Number
Battery Harnesses & Hardware	137
Canes - Back - Attaching Hardware - ADJASBA (After 10/03/05)	53
Canes - Back - Spreader Bar - ADJASBA (After 10/03/05)	51
Canes - Back - Spreader Bar w/ Attaching Hardware - ASBA (Before 10/04/05)	49
Casters & Forks - Front - Rear	84
Cushions - Seat - Contoura Seating	46
Electronics - Controller, Cables, Programmer & Hardware - MK5	145
Electronics - Controller, Cables, Programmer & Hardware - MKIV RII 80 AMP.	140
Electronics - Controller, Harness, Cables, Programmer & Hardware - MKIV Quad Pulse	142
Electronics - Joystick Options	191
Electronics - MK5 Display	186
Electronics - MK5 DPJ Joystick & Mounting Hardware (Introduced 12/19/03)	157
Electronics - MK5 MPJ Joystick & Mounting Hardware (Introduced 12/19/03)	159
Electronics - MK5 SAC & Hardware (Before 1/06/06)	174
Electronics - MK5 SPJ+ Joystick & Mounting Hardware (Introduced 8/09/05)	153
Electronics - MK5 SPJ-80 Joystick & Mounting Hardware (Introduced 12/19/03)	155
Electronics - MK5 TAC & Hardware (After 1/05/06)	176
Electronics - MK6i ~ PLEASE READ THIS	139
Electronics - MK6i IR Wireless Mouse Module	194
Electronics - MK6i RF Wireless Mouse Module	196
Electronics - MKIV Joysticks - PSF & PSR	151

TABLE of CONTENTS

Description	Page Number
Electronics - MKIV Mid-Line Swing Bracket Assembly	168
Electronics - MKIV RII and MKIV A Joysticks & Mounting Hardware	148
Electronics - MKIV Swivel Joystick Hardware	170
Electronics - Proportional Attendant Control Joystick PACM5	189
Electronics - Quad Link Assembly (Before 4/07/06)	161
Electronics - Quad Link Assembly (QL) (After 4/06/06)	165
Electronics - R.I.M. Head Control Assembly (1500)	181
Electronics - R.I.M. Head Control Mounting Hardware (1500)	184
Electronics - Sip-N-Puff / Digital Interface & AUX12 and AUX34	187
Electronics - Tash & Therafin Accessories	193
Electronics - Tilt Recline Single Switch (TRSS)	172
Frame - Finish - Shroud - Upholstery Colors	8
Frame - Base Assembly (For M91-M Base Frame Model)	17
Frame - Base Assembly, Swing Arms & Stability Lock Hardware (Before 10/04/05)	13
Frame - Base Assembly, Swing Arms & Stability Lock Hardware (After 10/03/05)	15
Frame - Seat - Seat Pan Adapter & Hardware (Before 10/04/05)	27
Frame - Seat Pan & Hdwr. - Seat ADJASBA (16"-20" W x 16"-22" D) (After 10/03/05)	30
Frame - Seat Pan & Hdwr. - Seat ADJASBA (20"-24" W x 16"-22" D) (After 10/03/05)	32
Front Riggings - Adjustable Heel Loops	127
Front Riggings - Footboard Assembly	98
Front Riggings - Footrest & Legrest Accessories	124

TABLE of CONTENTS

Description	Page Number
Front Riggings - Footrest Supports - PHW93 (Hemi) (After 1/5/03)	102
Front Riggings - Footrest Supports - PHW93 (Hemi) (Before 1/6/03)	100
Front Riggings - Hanger Assembly - ADJASBA (After 10/03/05)	131
Front Riggings - Hanger Assembly - ASBA (Before 10/04/05) & Van Seats (All dates)	129
Front Riggings - Legrest Supports - Articulating - Hemi - PHAL4A (After 1/5/03)	113
Front Riggings - Legrest Supports - Articulating - PHAL4A (Hemi) (Before 1/6/03)	110
Front Riggings - Legrest Supports - PH904A (Hemi) (After 1/5/03)	107
Front Riggings - Legrest Supports - PH904A (Hemi) (Before 1/6/03)	104
Front Riggings - Pivot/Slide Tube w/ Adjustable Angle Footplates - AT5543 - PHW93	122
Front Riggings - Pivot/Slide Tube w/ Footplates - PH904A and PHAL4A	118
Front Riggings - Pivot/Slide Tube w/ Footplates - PHW93	116
Front Riggings - Pivot/Slide Tube w/ Footplates - PHW93	120
Front Riggings - Reference Chart	95
Label Locations For TRRO and TRBKTS Options	11
Motor & Gearbox Assembly - 300 Lb. Limit	87
Motor & Gearbox Assembly - 400 Lb. Limit	90
Packaging, Literature and Decals	9
Seat Height Adjustment Slide Tubes	43
Seat Release Hardware	45
Shrouds - Front - Top - Rear - Attaching Hardware	80
Shrouds - Side - Attaching Hardware	82

TABLE of CONTENTS

Description	Page Number
TRRO and TRBKTS Option Clarification Reference	12
Upholstery - Back - ASBA and ADJASBA	55
Van Seat Assembly	37
Van Seat Frame & Actuator Hardware	41
Walking Beams & Hardware - 300 & 400 Lb. limit chairs (Before 10/04/05)	19
Walking Beams & Hardware - 300 Lb. limit chairs (After 10/03/05)	21
Walking Beams & Hardware - 400 Lb. limit chairs (After 10/03/05)	24
Warranty Replacement Parts	211
Wheels - Drive Wheel Assembly	93

A: READ THIS FIRST (THIS CATALOG IS DIFFERENT!)

Pronto M9I with SureStep
parts catalog information is now divided into two separate catalogs.

The Form Numbers and Cover Titles are listed below.

Form # 02-014

Pronto M9I with SureStep
Powered Wheelchair

Form # 06-110

MK6i Electronics

(MK6i was introduced to M9I on or about 10/16/06)

Use both form numbers to order a “complete” Parts Catalog

Frame Finish, Shroud and Upholstery Colors

Frame Finish

Color Number	Part Number	Bottle Size	Color
34P	1046327-NLA	.6 oz.	Flat Black

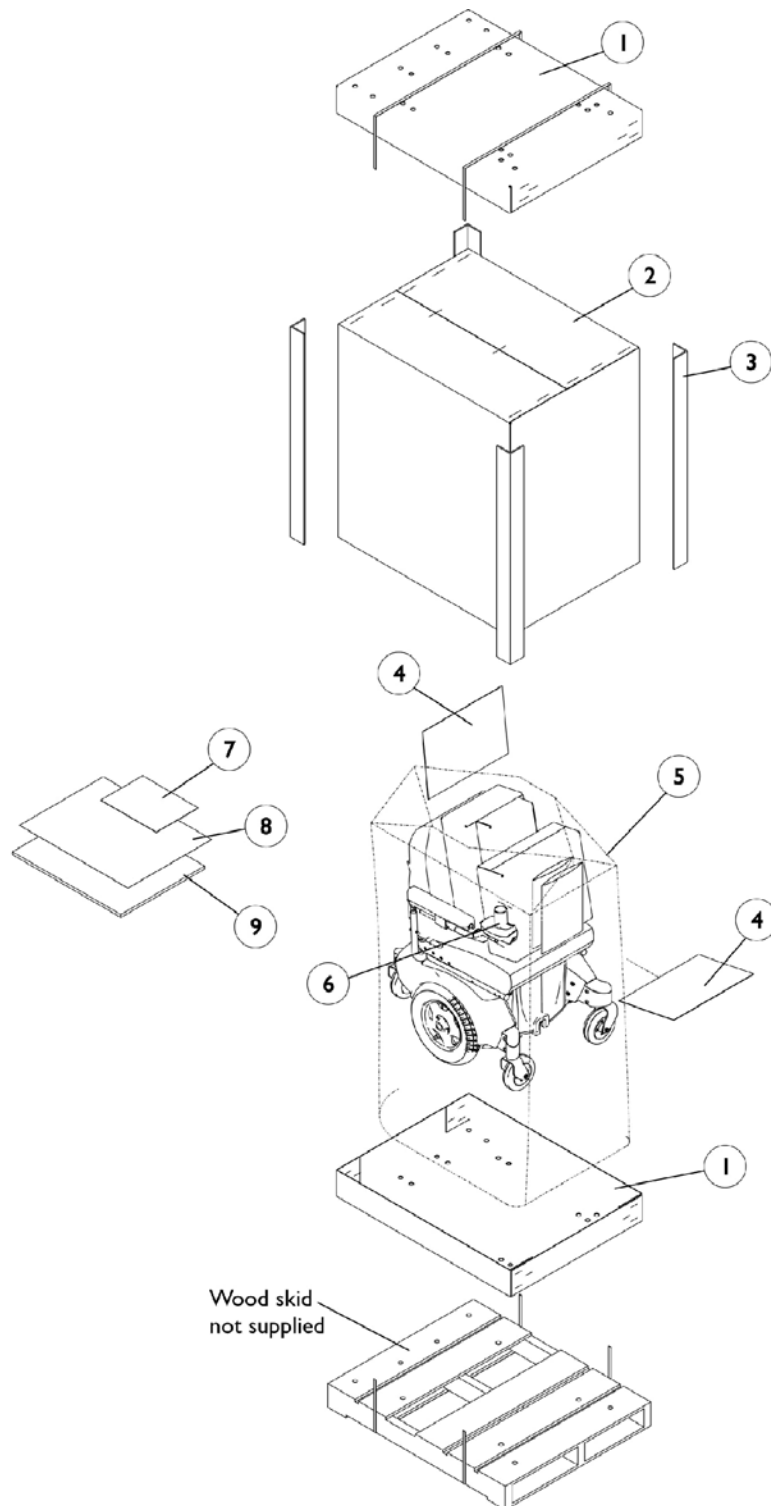
Shroud Colors

Color Number	Color
DBLM	Dark Blue Pearl
GBKM	Magic Black
CRDM	Candy Red Pearl

Upholstery Color

Color Number	Color
U240	Black Nylon

Packaging, Literature and Decals



Packaging, Literature and Decals

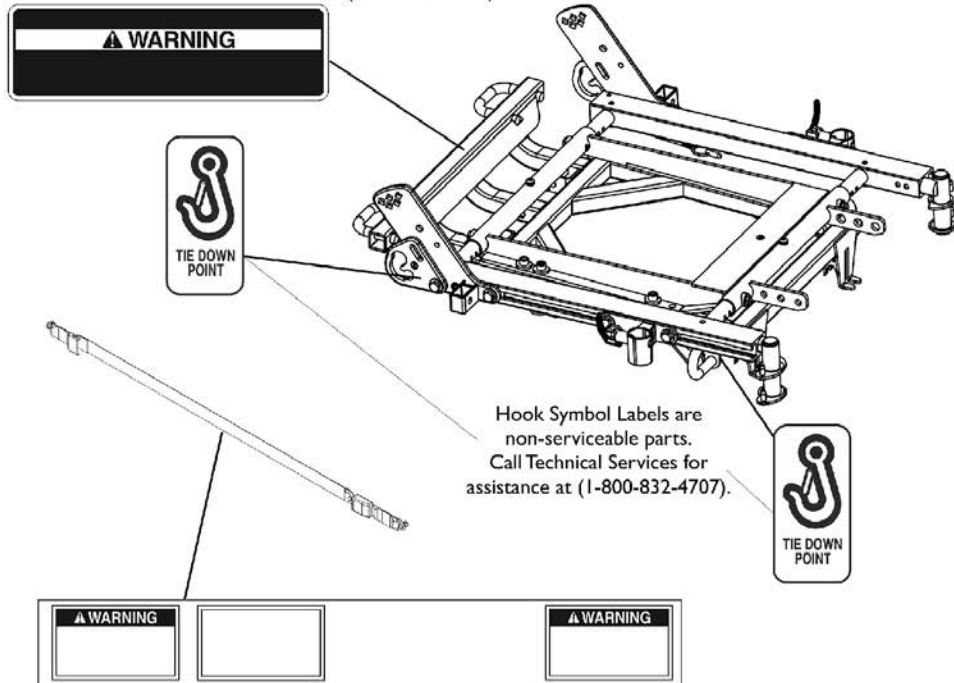
Item Number	Note	Part Number	Description	Quantity Per	
				Package	Assembly
1		1030362	Carton, Tray	1	1
2		1030364	Carton, Cover	1	1
3		1115174	Carton, Corner Reinforcement	1	4
4		40131X161	Insert, Plain Pad	1	2
5		1015592	Bag, Poly (72" L x 35" W x 19" D)	1	1
6		1043198-NLA	NLA - Tube, Paper	1	1
7		00077X031-NLA	NLA - Warranty Card	1	1
8	C	1110532-NLA	NLA - Instruction Manual, MK5 NX/NX-LP	1	1
8	C	1114808-NLA	NLA - Instruction Manual, MK5 EX/ TT-EX Electronics	1	1
8	C	1122140-NLA	NLA - Instruction Manual, MK5 NX-80	1	1
9	C	1141450-NLA	NLA - Owner's Manual, Pronto M91w/ MKIV/MK5 Electronics	1	1
9	C	1143153-NLA	NLA - Owner's Manual, M91 Base with MK6i Electronics	1	1
9	C	1143192-NLA	NLA - Owner's Manual, ADJASBA Seat with MK6i Electronics	1	1
	A	1119281-NLA	NLA - Plate, Name, Patent Numbers	1	1
	B	1164348	Mailer, Return, Mercury Free	1	1

NOTE: A - Not Shown
 B - For Massachusetts providers only
 C - Item is no longer available from the Invacare Service Parts Department. Refer to the Invacare Website under "Product Literature Search". Enter the part number in the "Keywords" field and download a free PDF version copy.

NOTE: When adjusting or replacing parts, please refer to your Owner's Manual for reference.

Label Locations For TRRO and TRBKTS Options

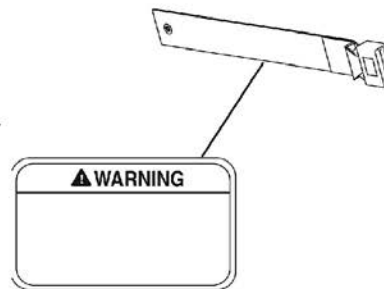
WC/19 Warning Label is a non-serviceable part.
Call Technical Services for assistance at
(1-800-832-4707).



Occupant restraint pelvic belt
conforms with ANSI/RESNA.
WC/19 Warning Label is sewn
onto the pelvic belt assembly.

TRRO Option Label Locations

Seat/Chest Positioning Strap
DOES NOT conform with ANSI/RESNA.
WC/19 Warning Label is sewn
onto the positioning strap.



Non TRRO/TRBKTS Option Label Locations

TRRO and TRBKTS Option Clarification Reference

About Transport Ready Packages

TRRO includes four factory-installed transport brackets and a wheelchair anchored pelvic belt. **TRRO** has been crash-tested in accordance with ANSI/RESNA WC Vol. 1 Section 19 Frontal Impact Test requirements for wheelchairs with a 168 lb. Crash dummy, which corresponds to a person with weight of 114 to 209 lbs.

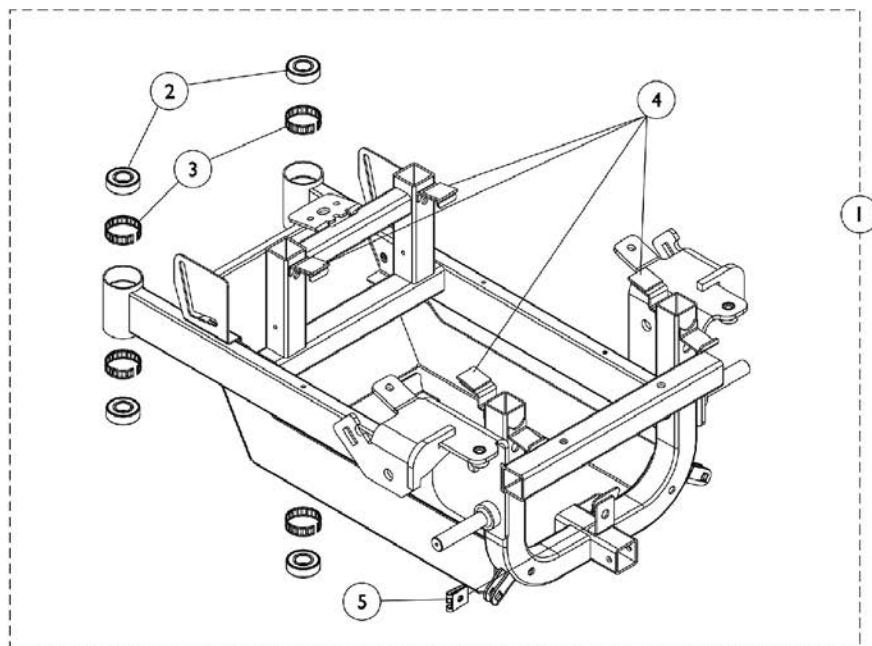
TRBKTS includes four factory-installed wheelchair transport brackets. **TRBKTS** has not been crash-tested in accordance with WC 19. Use these transport brackets only to secure an unoccupied wheelchair during transport.

Only use the transport brackets included with **TRRO** and **TRBKTS** for the purpose described in the appropriate Owner's Operator and Maintenance Manual.

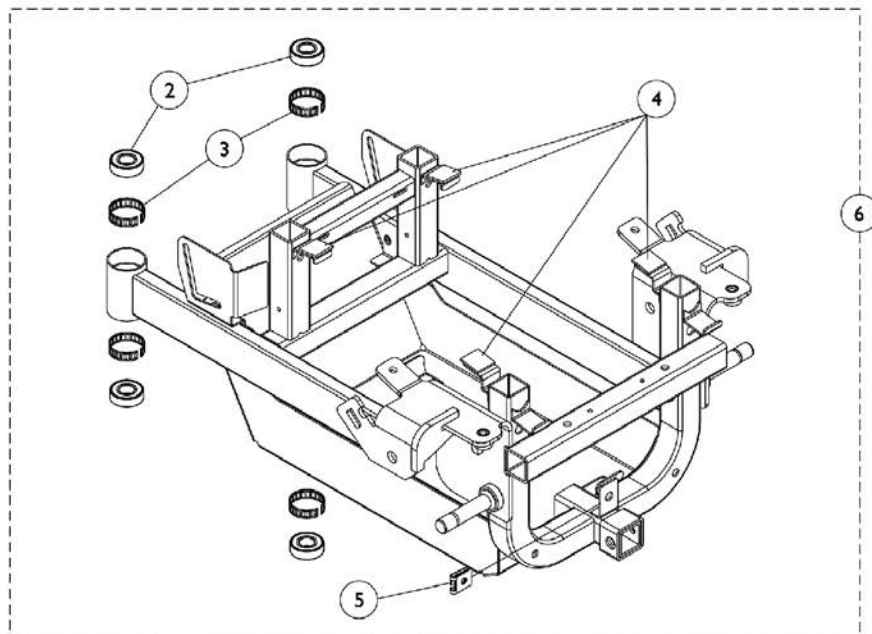
As of this date, the Department of Transportation has not approved any tie-down systems for transportation of a user while in a wheelchair, in a moving vehicle of any type. It is Invacare's position that users of wheelchairs should be transferred into appropriate seating in vehicles for transportation and use be made of the restraints made available by the auto industry. Invacare cannot and does not recommend any wheelchair transportation systems.

NOTE: ANSI = American National Standards Institute, RESNA = Rehabilitation Engineering and Assistive Technology Society of North America.

Base Frame, Swing Arms and Stability Lock Hardware Before 10/04/05



Chairs built **Before 12/19/03**

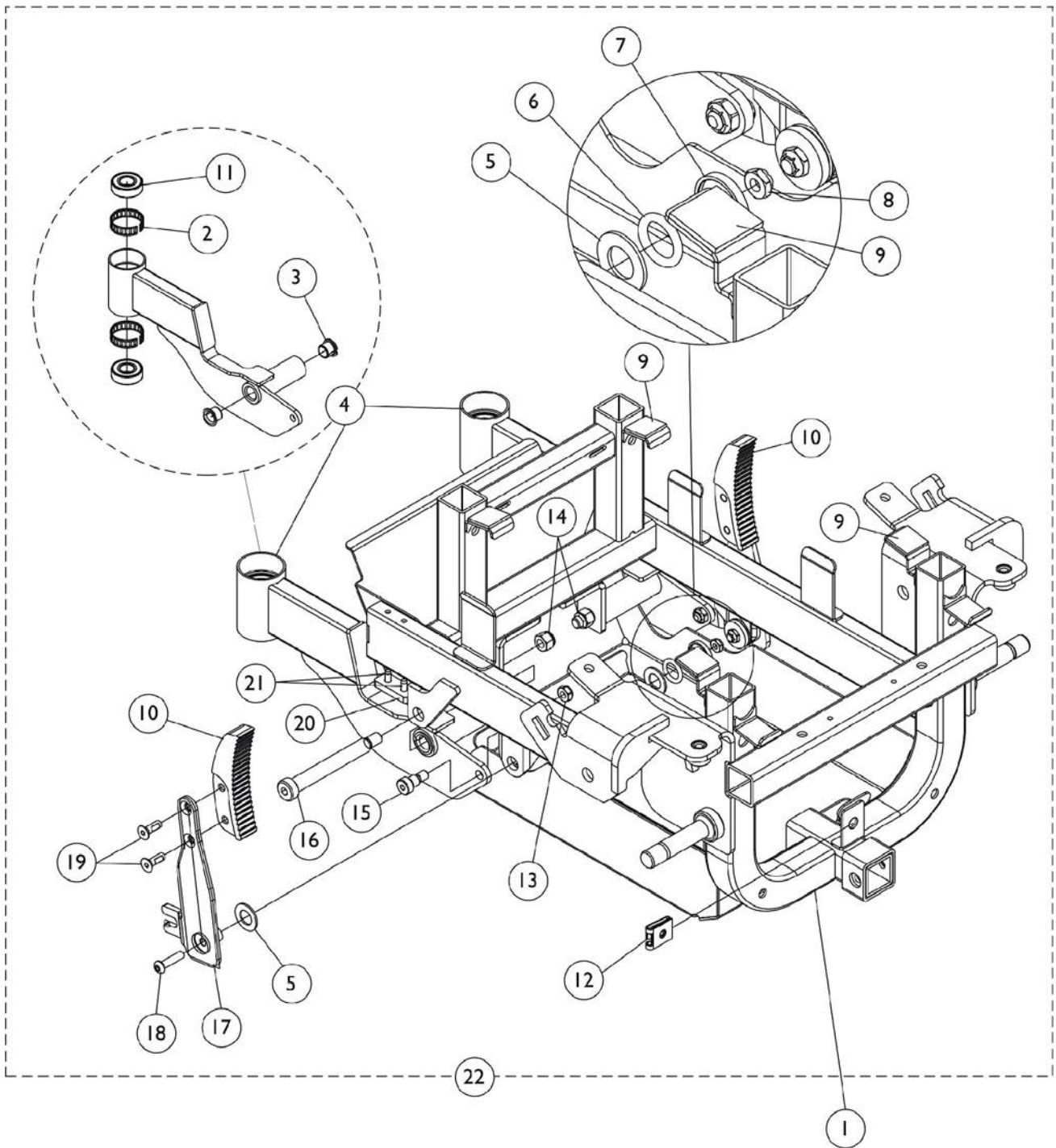


Chairs built **12/19/03 - 10/03/05**

Base Frame, Swing Arms and Stability Lock Hardware Before 10/04/05

Item Number	Note	Part Number	Description	Quantity Per	
				Package	Assembly
1	A	1110706-NLA	NLA - Base Frame Assembly	1	1
2		40117X006	Bearing (5/8")	1	4
3		1110717	Ring, Tolerance	1	4
4		1070504-NLA	NLA - Fastener, Hook with Adhesive Back (1" W x 1" L)	1	4
5		1013497-NLA	NLA - Fastener, Turn, Clip-On (1/4")	1	1
6	B,C	1123107-NLA	NLA - Base Frame Assembly	1	1
<p>NOTE: A - Frame is NLA on chairs built Before 12/19/03. Must order new frame (1123107), rear shroud (see shroud category), battery charger (1123102), and AC charger cord (1121086). B - Chairs built 12/19/03 - 10/03/05. Includes Frame and items 2-5. C - Due to design change, Frames ordered for chairs built Before 4/1/04 require screws instead of a strap to attach the Battery Charger. See battery charger category.</p>					

Base Frame, Swing Arms and Stability Lock Hardware After 10/03/05



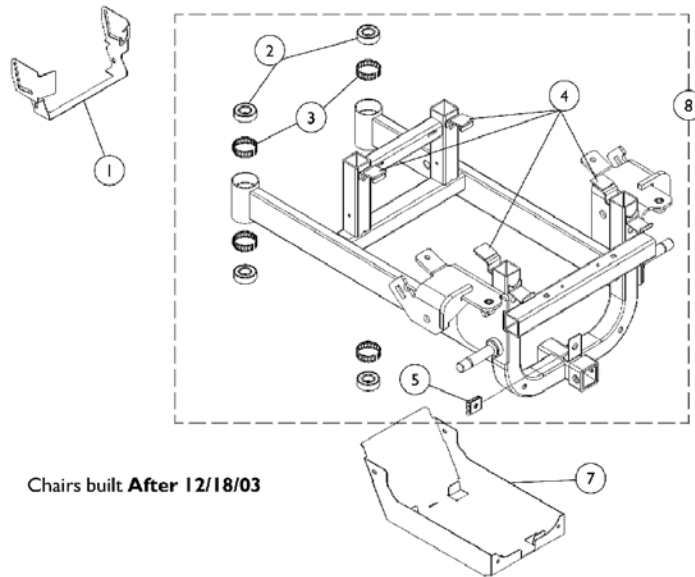
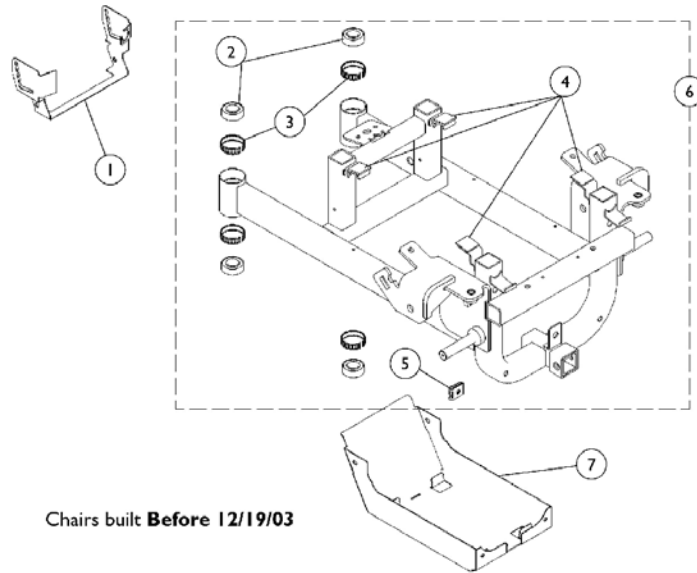
Base Frame, Swing Arms and Stability Lock Hardware After 10/03/05

Item Number	Note	Part Number	Description	Quantity Per	
				Package	Assembly
1	C	1123357-NLA	NLA - Frame w/o Hardware, Black	1	1
		1119281-NLA	NLA - Plate, Name, Patent Numbers	1	1
2		1110717	Ring, Tolerance	1	4
3		1110669	Bearing, Flange (1/2 x 13/16 x 1/2")	1	4
4	A	1123350	Swing Arm Assembly, Rear, Black - Right	1	1
4	A	1123351	Swing Arm Assembly, Rear, Black - Left	1	1
5		1031673-NLA	NLA - Washer, Nylon (35/64 x 1 x 1/16")	1	4
6		1124379-NLA	NLA - O-Ring (19/32" I.D. x 9/64")	1	2
7		1123361-NLA	NLA - Washer, Cupped (1/4 x 1 x 5/32")	1	2
8		1025195	NLA - Locknut (1/4-20)	1	2
9		1070504-NLA	NLA - Fastener, Hook with Adhesive Back (1" W x 1" L)	1	4
10		1123322	Rack, Pivot	1	2
11		40117X006	Bearing (5/8")	1	4
12		1013497-NLA	NLA - Fastener, Turn, Clip-On (1/4")	1	2
13		1028769	Locknut (5/16-18)	1	2
14		0054106-NLA	NLA - Locknut, High Profile (3/8-16)	1	2
15		1126998	Screw, Shoulder Hex Socket Head w/ Patch (3/8" x 3/8", 5/16-18)	1	2
16		1117192-NLA	NLA - Screw, Shoulder Hex Socket Head (1/2 x 3-1/2", 3/8-16)	1	2
17		1123328	Link, Pivot, Black - Right	1	1
17		1123329	Link, Pivot, Black - Left	1	1
18		0051606-NLA	NLA - Screw, Cap, Button Head, Socket (1/4-20 x 1")	1	2
19		1091869-NLA	NLA - Screw, Socket Flat Head w/ Patch (1/4-20 x 3/4")	1	4
20		1123346-NLA	NLA - Bumper, Rear Swing Arm	1	2
21		1099921-NLA	NLA - Screw, Phillips Pan Head (#10-16 x 5/8")	1	4
22	B	1123362-NLA	NLA - Hardware, Stability Lock	1	1

NOTE: A - Includes Swing Arm plus items 2,3, & 11
 B - Includes items 2-21
 C - Not Shown

Base Frame Assembly

M91-M Base Frame Model For Powered Seating



Base Frame Assembly

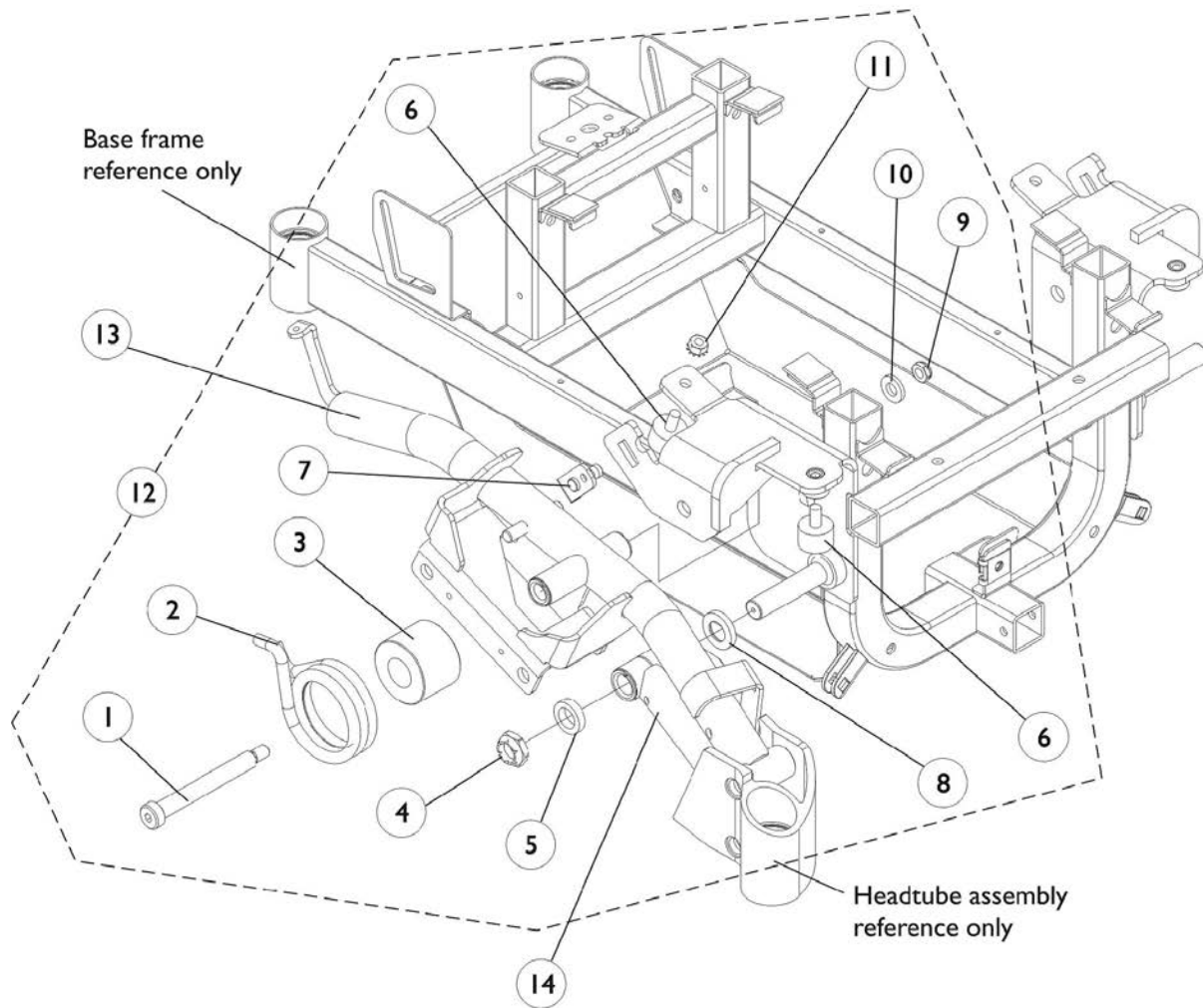
M91-M Base Frame Model For Powered Seating

Item Number	Note	Part Number	Description	Quantity Per	
				Package	Assembly
1	A	1110721-NLA	NLA - Bracket, Charger Mounting, Black	1	1
2		40117X006	Bearing (5/8")	1	4
3		1110717	Ring, Tolerance	1	4
4		1070504-NLA	NLA - Fastener, Hook with Adhesive Back (1" W x 1" L)	1	4
5		1013497-NLA	NLA - Fastener, Turn, Clip-On (1/4")	1	1
6	B	1118462-NLA	NLA - Base Frame Assembly, M91-M	1	1
7	A	1110701-NLA	NLA - Tray, Battery	1	1
8	C,D	1123110-NLA	NLA - Base Frame Assembly - M91-M	1	1

NOTE: A - M91-M Base Frames do not have the Battery Tray or Charger Bracket welded to the base frame due to MedBloc, Inc. power-positioning systems design. Per MedBloc, Inc., when these items are required, they will provide their own mounting hardware.
 B - Frame is NLA on chairs built Before 12/19/03. Must order new frame (1123110), rear shroud (see shroud category), battery charger (1123102), and AC charger cord (1121086).
 C - Chairs built After 12/18/03. Includes Frame and items 2-5.
 D - Due to design change, Frames ordered for chairs built Before 4/1/04 require screws instead of a strap to attach the Battery Charger. See battery charger category.

SureStep Walking Beams and Hardware

300 & 400 Lb. limit chairs (Before 10/04/05)

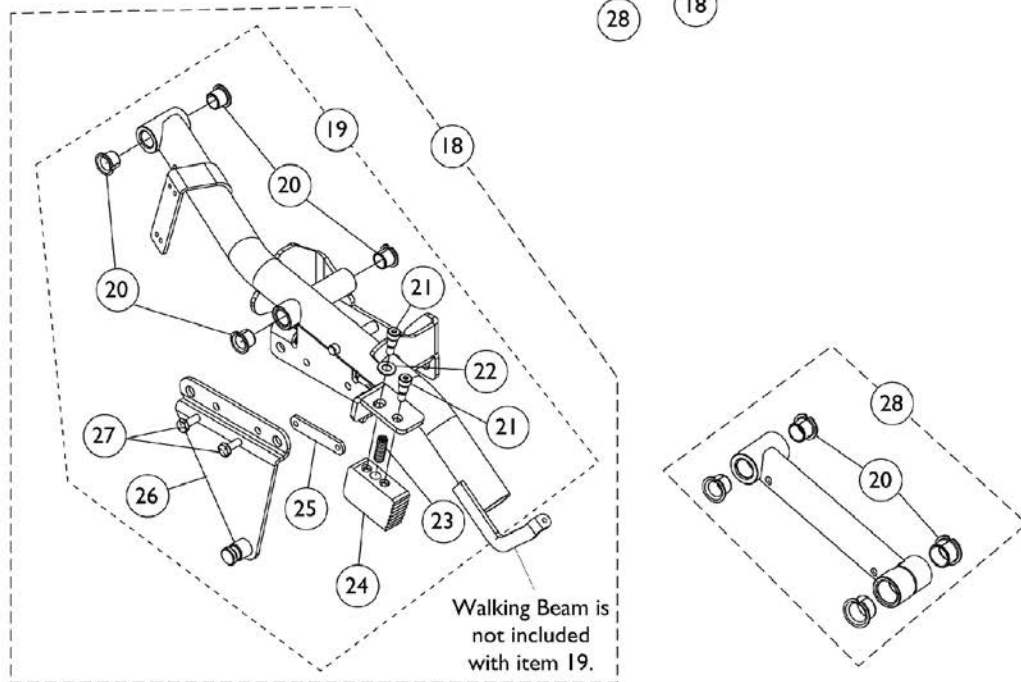
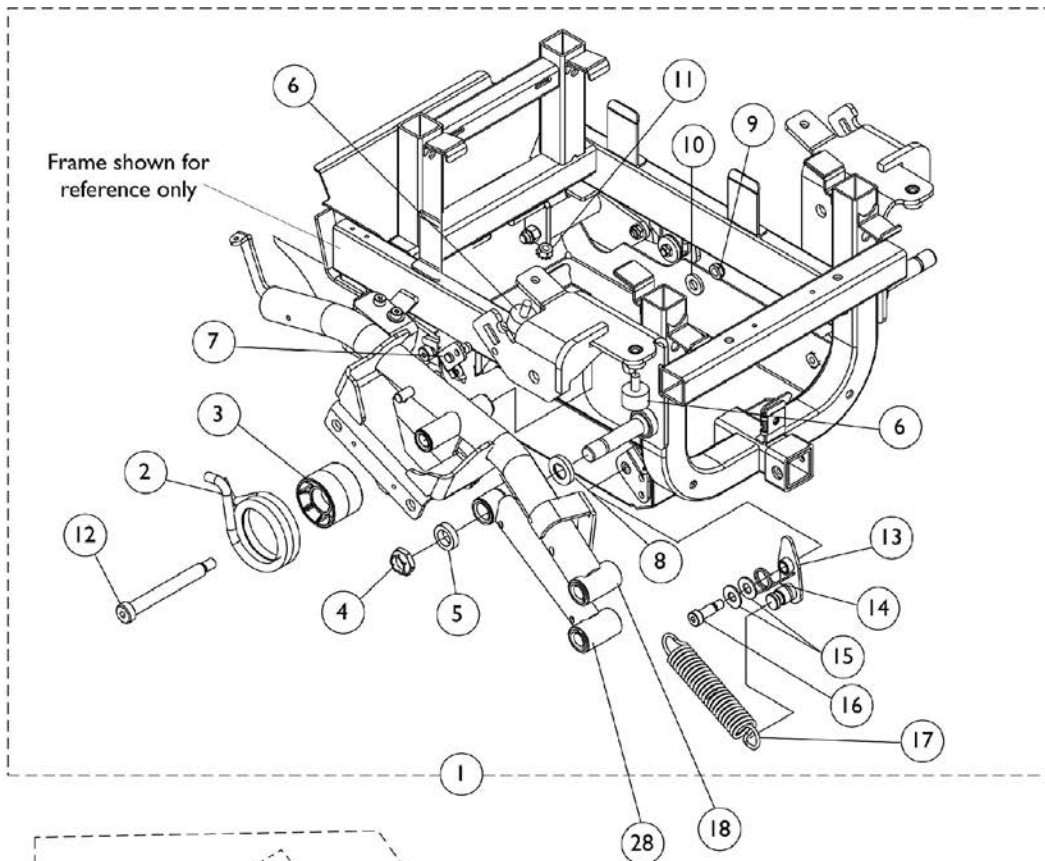


SureStep Walking Beams and Hardware 300 & 400 Lb. limit chairs (Before 10/04/05)

Item Number	Note	Part Number	Description	Quantity Per	
				Package	Assembly
1		1110667-NLA	NLA - Screw, Socket Head Shoulder (1/2 x 3-3/4", 3/8-16)	1	1
2	D	1110718	Spring, Torsion - Right	1	1
2	D	1110719	Spring, Torsion - Left	1	1
2	E	1117033	Spring, Torsion - Right	1	1
2	E	1117034	Spring, Torsion - Left	1	1
3		1112361	Spacer, Spring, Black	1	1
4		1028550	Locknut (5/8-18)	1	1
5		1110685-NLA	NLA - Spacer, Bushing	1	1
6		1108437-NLA	NLA - Bumper, Rubber (1" Diameter x 5/8")	1	2
7		1113420	Plate, Lock	1	1
8		1106068	Spacer, Stem (5/8 x 1-1/8 x 3/16")	1	1
9		1028486	Locknut, Low Profile (3/8-16)	1	1
10		1069548-NLA	NLA - Washer, Steel (7/16 x 13/16 x 1/8")	1	1
11		000037	NLA - Nut, Keps (5/16-18)	1	1
12	C,D	1110686-NLA	NLA - Hardware, Walking Beam Mounting, SureStep - Right	1	1
12	C,D	1110687-NLA	NLA - Hardware, Walking Beam Mounting, SureStep - Left	1	1
12	C,E	1117035-NLA	NLA - Hardware, Walking Beam Mounting, SureStep- Right	1	1
12	C,E	1117036-NLA	NLA - Hardware, Walking Beam Mounting, SureStep - Left	1	1
13	B	1110702	Beam, Walking w/ Bearings - Right	1	1
13	B	1110703	Beam, Walking w/ Bearings - Left	1	1
14	B	1112568	0	1	2
	B,A	1110669	Bearing, Flange (1/2 x 13/16 x 1/2")	1	4
NOTE: A - Not Shown B - Flanged bearings are included in items 13 and 14. C - Includes items 1-11 D - 300 Lb. limit chairs E - 400 Lb. limit chairs					

SureStep Walking Beams and Hardware

300 Lb. limit chairs (After 10/03/05)



SureStep Walking Beams and Hardware 300 Lb. limit chairs (After 10/03/05)

Item Number	Note	Part Number	Description	Quantity Per	
				Package	Assembly
1	A	1133199	NLA - Kit, Walking Beam Mounting Hardware, SureStep - Right	1	1
2			Spring, Torsion - Right	1	1
3			Spacer, Spring, Black	1	1
4			Locknut (5/8-18)	1	1
5			NLA - Spacer, Bushing	1	1
6			NLA - Bumper, Rubber (1" Diameter x 5/8")	1	2
7			Plate, Lock	1	1
8			Spacer, Stem (5/8 x 1-1/8 x 3/16")	1	1
9			Locknut, Low Profile (3/8-16)	1	1
10			NLA - Washer, Steel (7/16 x 13/16 x 1/8")	1	1
11			NLA - Nut, Keps (5/16-18)	1	1
12			NLA - Screw, Socket Head Shoulder (1/2 x 3-3/4", 3/8-16)	1	1
13			Plate, Pivot	1	1
14			Spring, Torsion - Right	1	1
15			NLA - Washer, Steel (3/8 x 7/8 x 1/16")	1	2
16			NLA - Screw, Shoulder Hex Socket Head (3/8 x 3/4", 5/16-18)	1	1
17			Spring, Extension (1 x 4-1/2" L)	1	1
1		1133200	NLA - Kit, Walking Beam Mounting Hardware, SureStep - Left	1	1
2			Spring, Torsion - Left	1	1
3			Spacer, Spring, Black	1	1
4			Locknut (5/8-18)	1	1
5			NLA - Spacer, Bushing	1	1
6			NLA - Bumper, Rubber (1" Diameter x 5/8")	1	2
7			Plate, Lock	1	1
8			Spacer, Stem (5/8 x 1-1/8 x 3/16")	1	1
9			Locknut, Low Profile (3/8-16)	1	1
10			NLA - Washer, Steel (7/16 x 13/16 x 1/8")	1	1
11			NLA - Nut, Keps (5/16-18)	1	1
12			NLA - Screw, Socket Head Shoulder (1/2 x 3-3/4", 3/8-16)	1	1
13			Plate, Pivot	1	1
14			Spring, Torsion - Left	1	1
15			NLA - Washer, Steel (3/8 x 7/8 x 1/16")	1	2
16			NLA - Screw, Shoulder Hex Socket Head (3/8 x 3/4", 5/16-18)	1	1
17			Spring, Extension (1 x 4-1/2" L)	1	1
18	B	1123354	Beam, Walking with Hardware - Right	1	1
18	B	1123355	Beam, Walking with Hardware - Left	1	1
19	C	1133690	Kit, Walking Beam Hardware - Right/Left	1	1
20			Bearing, Flange (1/2 x 13/16 x 1/2")	1	4

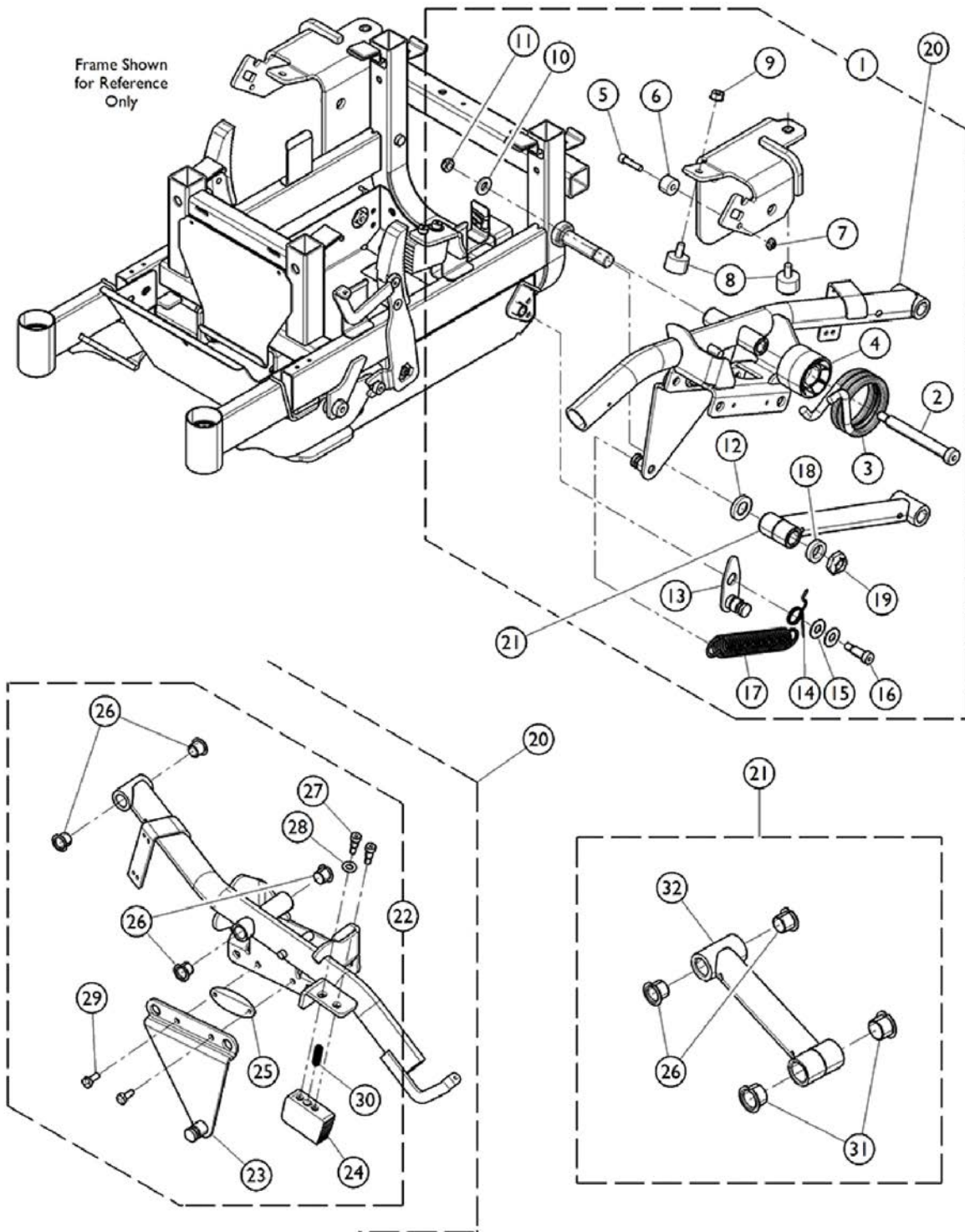
SureStep Walking Beams and Hardware

300 Lb. limit chairs (After 10/03/05)

Item Number	Note	Part Number	Description	Quantity Per	
				Package	Assembly
21			NLA - Screw, Shoulder Hex Socket Head (5/16" x 3/8", 1/4-20)	1	2
22			Washer, Flat (5/16 x 5/8 x 1/16")	1	1
23			Spring, Compression (11/32 x 1 x 1/32")	1	1
24			Rack, Motor	1	1
25			Nut, Weld Spacing (1/4-20 x 2")	1	1
26			Bracket, Spring - Right	1	1
26			Bracket, Spring - Left	1	1
27			Screw, Hex Head (1/4-20 x 5/8")	1	2
28	D	1112568	0	1	1
NOTE: A - Includes items 2-17 B - Includes Walking Beam plus item 19 C - Kit can be used for either right or left side. Includes items 20-27 D - Includes Pivot Tube and item 20					

SureStep Walking Beams and Hardware

400 Lb. limit chairs (After 10/03/05)



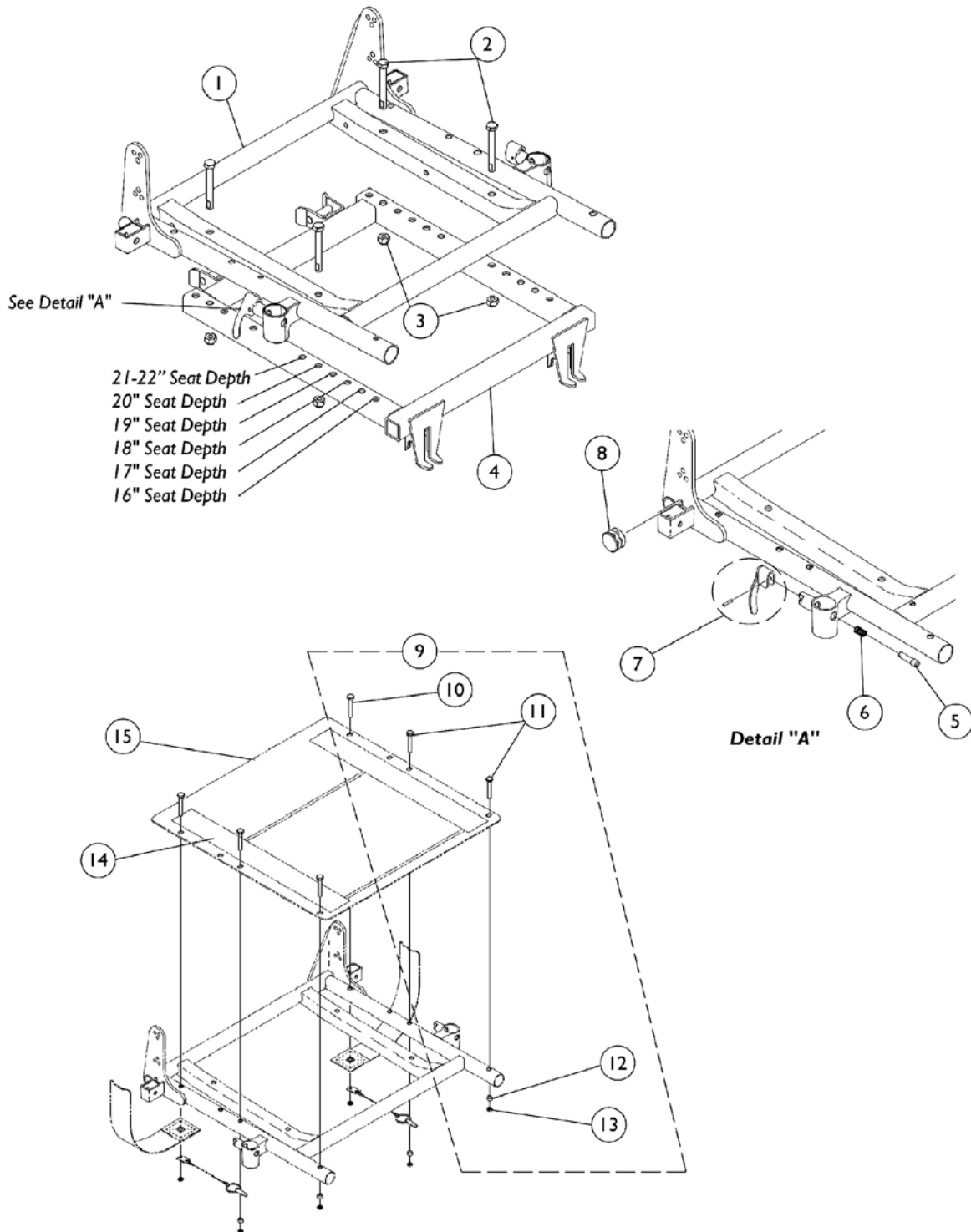
SureStep Walking Beams and Hardware 400 Lb. limit chairs (After 10/03/05)

Item Number	Note	Part Number	Description	Quantity Per	
				Package	Assembly
1	A	1136940	Kit, Walking Beam Mounting Hardware - Right	1	1
2			NLA - Screw, Socket Head Shoulder (1/2 x 3-3/4", 3/8-16)	1	1
3			Spring, Torsion - Right	1	1
4			Spacer, Spring, Black	1	1
5			Screw, Allen Head (1/4-20 x 1")	1	1
6			Spacer (1/4 x 3/4 x 1/2")	1	1
7			NLA - Locknut (1/4-20)	1	1
8			NLA - Bumper, Rubber (1" Diameter x 5/8")	1	2
9			NLA - Nut, Keps (5/16-18)	1	1
10			NLA - Washer, Steel (7/16 x 13/16 x 1/8")	1	1
11			Locknut, Low Profile (3/8-16)	1	1
12			Spacer, Stem (5/8 x 1-1/8 x 3/16")	1	1
13			Plate, Pivot	1	1
14			Spring, Torsion - Right	1	1
15			NLA - Washer, Steel (3/8 x 7/8 x 1/16")	1	2
16			NLA - Screw, Shoulder Hex Socket Head (3/8 x 3/4", 5/16-18)	1	1
17			Spring, Extension (1 x 4-1/2" L)	1	1
18			NLA - Spacer, Bushing	1	1
19			Locknut (5/8-18)	1	1
1	A	1136941	Kit, Walking Beam Mounting Hardware - Left	1	1
2			NLA - Screw, Socket Head Shoulder (1/2 x 3-3/4", 3/8-16)	1	1
3			Spring, Torsion - Left	1	1
4			Spacer, Spring, Black	1	1
5			Screw, Allen Head (1/4-20 x 1")	1	1
6			Spacer (1/4 x 3/4 x 1/2")	1	1
7			NLA - Locknut (1/4-20)	1	1
8			NLA - Bumper, Rubber (1" Diameter x 5/8")	1	2
9			NLA - Nut, Keps (5/16-18)	1	1
10			NLA - Washer, Steel (7/16 x 13/16 x 1/8")	1	1
11			Locknut, Low Profile (3/8-16)	1	1
12			Spacer, Stem (5/8 x 1-1/8 x 3/16")	1	1
13			Plate, Pivot	1	1
14			Spring, Torsion - Left	1	1
15			NLA - Washer, Steel (3/8 x 7/8 x 1/16")	1	2
16			NLA - Screw, Shoulder Hex Socket Head (3/8 x 3/4", 5/16-18)	1	1
17			Spring, Extension (1 x 4-1/2" L)	1	1
18			NLA - Spacer, Bushing	1	1
19			Locknut (5/8-18)	1	1
20	B	1123354	Beam, Walking with Hardware - Right	1	1
20	B	1123355	Beam, Walking with Hardware - Left	1	1

SureStep Walking Beams and Hardware 400 Lb. limit chairs (After 10/03/05)

Item Number	Note	Part Number	Description	Quantity Per	
				Package	Assembly
21	D	1112568	Tube, Pivot w/ Flanged Bearings, Black	1	1
26			Bearing, Flange (1/2 x 13/16 x 1/2")	1	2
31			Bearing, Flanged (5/8 x 15/16 x 1/2)	1	2
32			Pivot Tube Assembly	1	1
22	C	1133690	Kit, Walking Beam Hardware - Right/Left	1	1
23			Bracket, Spring - Right	1	1
23			Bracket, Spring - Left	1	1
24			Rack, Motor	1	1
25			Nut, Weld Spacing (1/4-20 x 2")	1	1
26			Bearing, Flange (1/2 x 13/16 x 1/2")	1	4
27			NLA - Screw, Shoulder Hex Socket Head (5/16" x 3/8", 1/4-20)	1	2
28			Washer, Flat (5/16 x 5/8 x 1/16")	1	1
29			Screw, Hex Head (1/4-20 x 5/8")	1	2
30			Spring, Compression (11/32 x 1 x 1/32")	1	1
NOTE: A - Includes items 2 - 19. B - Includes Walking Beam plus item 20. C - Includes items 23 - 30. D - Includes Pivot Tube and Items 26, 31, and 32..					

ASBA Seat Frame, Seat Pan, Adapter, and Hardware Before 10/04/05



ASBA Seat Frame, Seat Pan, Adapter, and Hardware Before 10/04/05

Item Number	Note	Part Number	Description	Quantity Per	
				Package	Assembly
1	A	See Chart	#1 Seat Frame	1	1
2		1043628-NLA	NLA - Screw, Hex Head w/ Patch (5/16-18 x 2-1/2")	1	4
3		1026158	Locknut (5/16-18)	1	4
4		1106480	Adapter, Seat Frame	1	1
5		1028594	Pin, Arm Lock, Black	1	2
6		47471X074	Spring, Arm Lock	1	2
7		1090768	Kit, Lock Handle w/Rivets (Pair)	2	1
8		1029501	Plug Button, Black (1")	1	2
9	B	1070459-NLA	NLA - Kit, Seat Pan Mounting Hardware	1	1
10			Screw, Hex Head (1/4-20 x 1-5/8")	1	2
11			Screw, Hex Head (1/4-20 x 1-1/2")	1	4
12			NLA - Spacer (1/4 x 3/8 x 3/16")	1	4
13			Locknut (1/4-20)	1	6
14		1039949-NLA	NLA - Fastener, Hook Adhesive Back (2" W x 16" L)	1	2
14		1044578-NLA	NLA - Fastener, Loop Adhesive Back (2" W x 16" L)	1	2
15		See Chart	#15 Seat Pan	1	1

NOTE: A - Includes items 5-8
B - Not Shown. Includes items 10-13

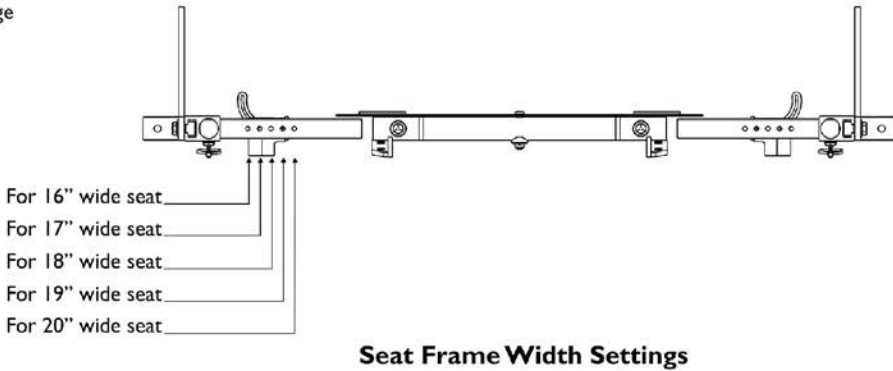
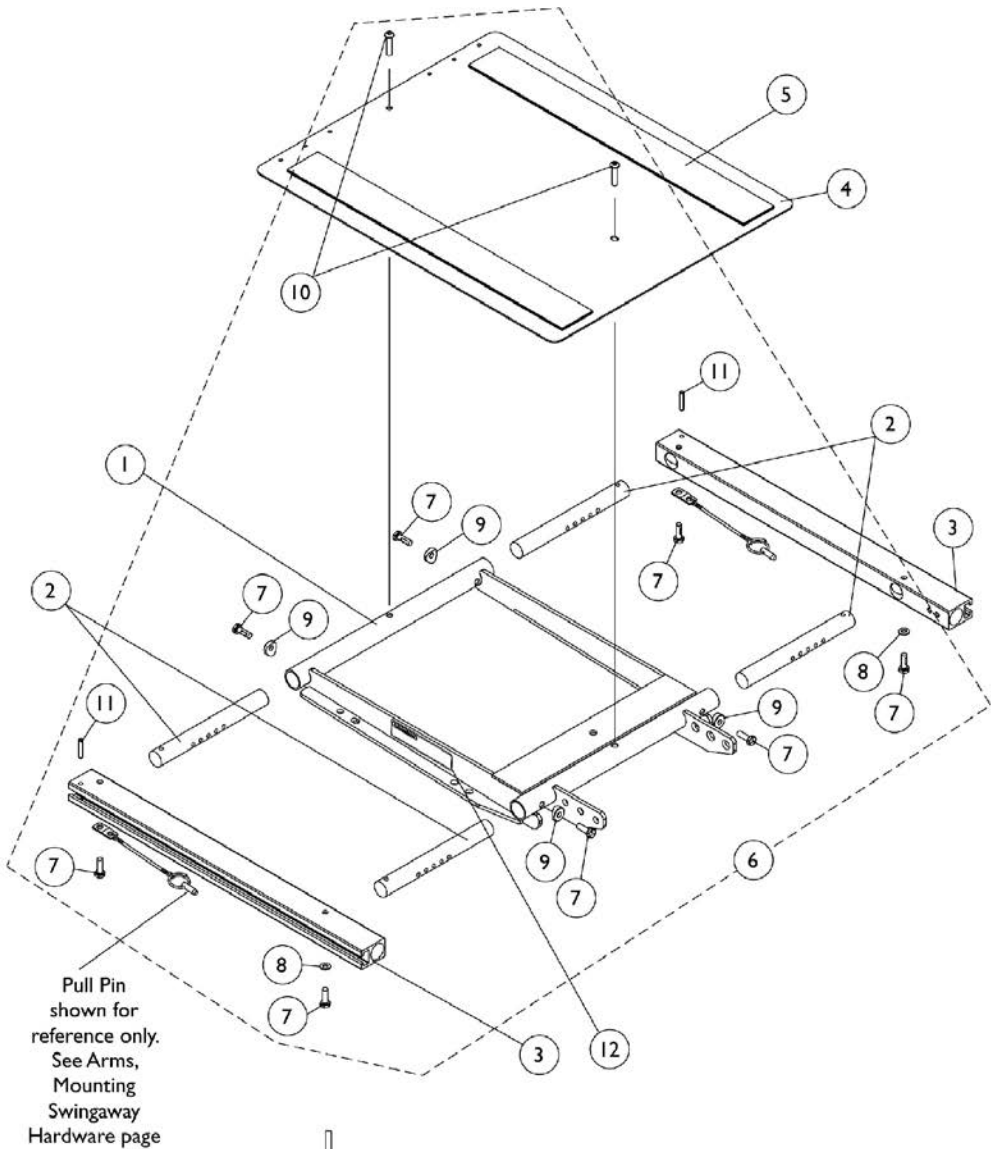
#1 Seat Frame

Chair Width	16"-17" Deep	18"-19" Deep	20"-21" Deep	22" Deep
16" Wide	1070672-NLA	1070681-NLA	1070690-NLA	1070699-NLA
17" Wide	1070673-NLA	1070682-NLA	1070691-NLA	1070700-NLA
18" Wide	1070674-NLA	1070683-NLA	1070692-NLA	1070701-NLA
19" Wide	1070675-NLA	1070684-NLA	1070693-NLA	1070702-NLA
20" Wide	1070676-NLA	1070685-NLA	1070694-NLA	1070703-NLA
21" Wide	1070677-NLA	1070686-NLA	1070695-NLA	1070704-NLA
22" Wide	1070678-NLA	1070687-NLA	1070696-NLA	1070705-NLA
23" Wide	1070679-NLA	1070688-NLA	1070697-NLA	1070706-NLA
24" Wide	1070680-NLA	1070689-NLA	1070698-NLA	1070707-NLA

ASBA Seat Frame, Seat Pan, Adapter, and Hardware
Before 10/04/05
#15 Seat Pan

Chair Width	16" Deep	17" Deep	18" Deep	19" Deep	20" Deep	21" Deep	22" Deep
16" Wide	1066013-NLA	1066024	1066035-NLA	1066046-NLA	1066057-NLA	1066068-NLA	1066079-NLA
17" Wide	1066014-NLA	1066025-NLA	1066036-NLA	1066047-NLA	1066058-NLA	1066069-NLA	1066080-NLA
18" Wide	1066015-NLA	1066026	1066037-NLA	1066048-NLA	1066059-NLA	1066070-NLA	1066081-NLA
19" Wide	1066016-NLA	1066027-NLA	1066038-NLA	1066049-NLA	1066060	1066071-NLA	1066082-NLA
20" Wide	1066017-NLA	1066028-NLA	1066039-NLA	1066050-NLA	1066061-NLA	1066072-NLA	1066083-NLA
21" Wide	1066018-NLA	1066029-NLA	1066040-NLA	1066051-NLA	1066062-NLA	1066073-NLA	1066084-NLA
22" Wide	1066019-NLA	1066030-NLA	1066041-NLA	1066052-NLA	1066063-NLA	1066074-NLA	1066085-NLA
23" Wide	1066020-NLA	1066031-NLA	1066042-NLA	1066053-NLA	1066064-NLA	1066075-NLA	1066086-NLA
24" Wide	1066021-NLA	1066032-NLA	1066043-NLA	1066054-NLA	1066065-NLA	1066076-NLA	1066087-NLA

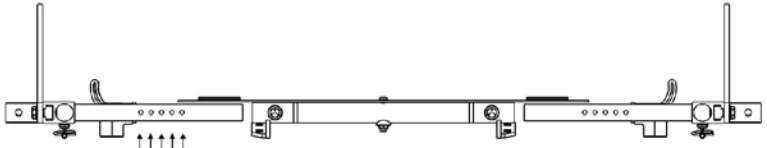
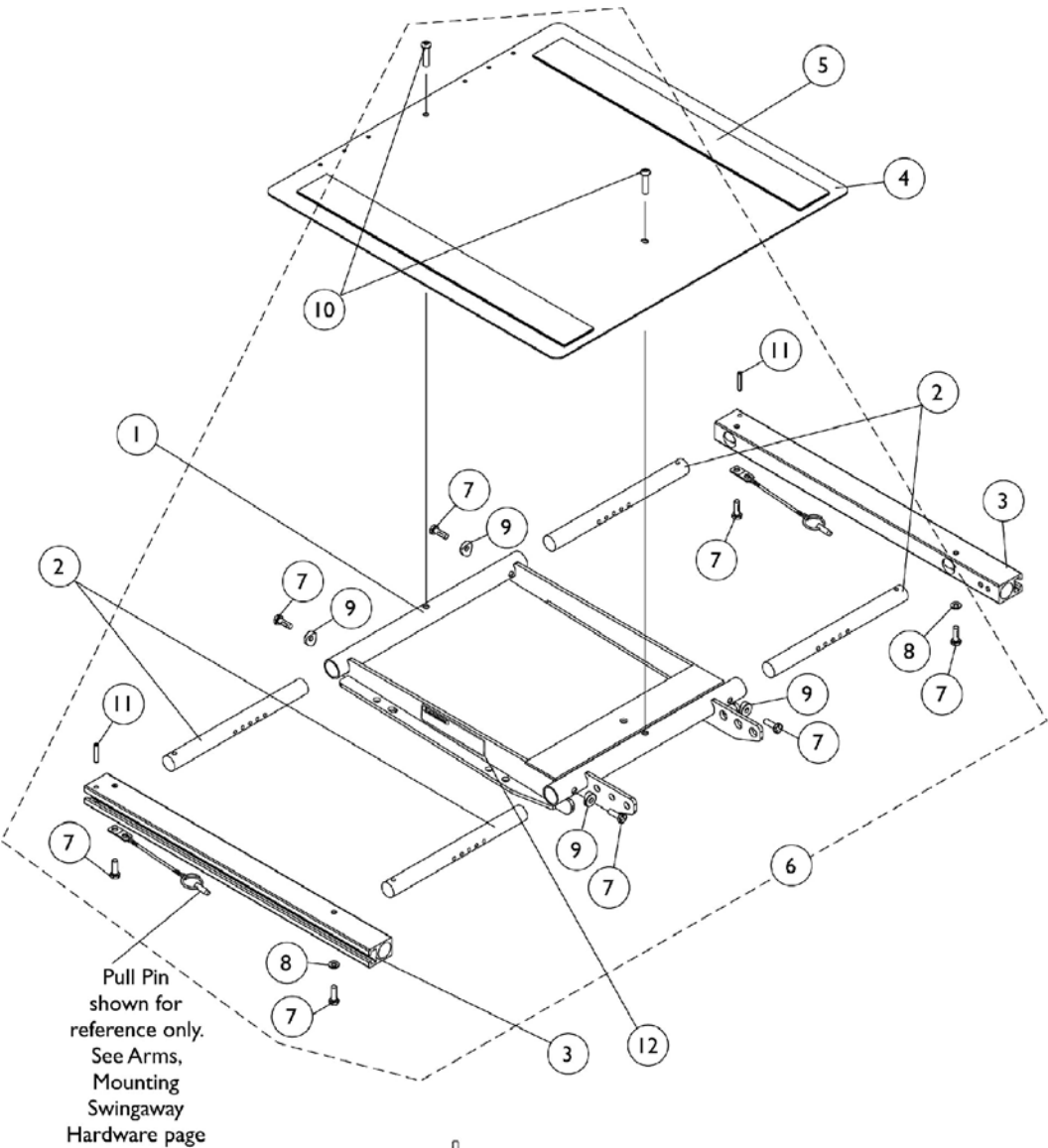
ADJASBA Seat Frame, Seat Pan and Hardware (16"-20" Wide) x (16"-22" Deep) (After 10/03/05)



ADJASBA Seat Frame, Seat Pan and Hardware (16"-20" Wide) x (16"-22" Deep) (After 10/03/05)

Item Number	Note	Part Number	Description	Quantity Per	
				Package	Assembly
1	D	1120288	Frame, Center Seat, Black	1	1
2		1122475	Crossbar, Seat Frame (16" - 20" W)	1	4
3		1122647	Rail, Seat Frame (16 - 20" D For Formula TRE and 16 - 19" D For ADJASBA)	1	2
3		1122677	Rail, Seat Frame (20 - 22" D Formula TRE) (19 - 22" D ADJASBA)	1	2
4		1124386	Pan, Seat with Hook and Loop Fasteners (16 - 20" W) x (16 - 20" D For Formula TRE) & (16 - 19" D For ADJASBA)	1	1
4		1124666	Pan, Seat, with Hook and Loop Fasteners (16 - 20" W) x (20 - 22" D For Formula TRE) & (19 - 22" D For ADJASBA)	1	1
5	A	1043082	Hook Fastener with Adhesive Back (2" W x 18" L)	1	2
5	A	1044580	Loop Fastener with Adhesive Back (2" W x 18" L)	1	2
5	B	1043084	Hook Fastener with Adhesive back (2" W x 22" L)	1	2
5	B	1044584	Loop Fastener with Adhesive back (2" W x 22" L)	1	2
6	C	1135501	Kit, Seat Frame Assembly Hardware	1	1
7			Screw, Hex Head w/ Patch (1/4-20 x 3/4")	1	8
8			Washer (1/4 x 1/2 x 1/16")	1	2
9			Spacer, Coved (1/4 x 11/16 x 1/2")	1	4
10			Screw, Socket Button (1/4-20 x 3/4")	1	2
11			NLA - Pin, Roll (3/16 x 1")	1	2
12		1114823	Decal, Seat Adjustment Warning	1	2
NOTE: A - For 16"-19" deep seats B - For 19"-22" deep seats C - Includes items 7-11 D - When ordering Center Seat Frame (item 1), also order 2 ea. Seat Adjustment Warning Decal (item 12).					

ADJASBA Seat Frame, Seat Pan and Hardware (20"-24" Wide) x (16"-22" Deep) (After 10/03/05)



- For 20" wide seat
- For 21" wide seat
- For 22" wide seat
- For 23" wide seat
- For 24" wide seat

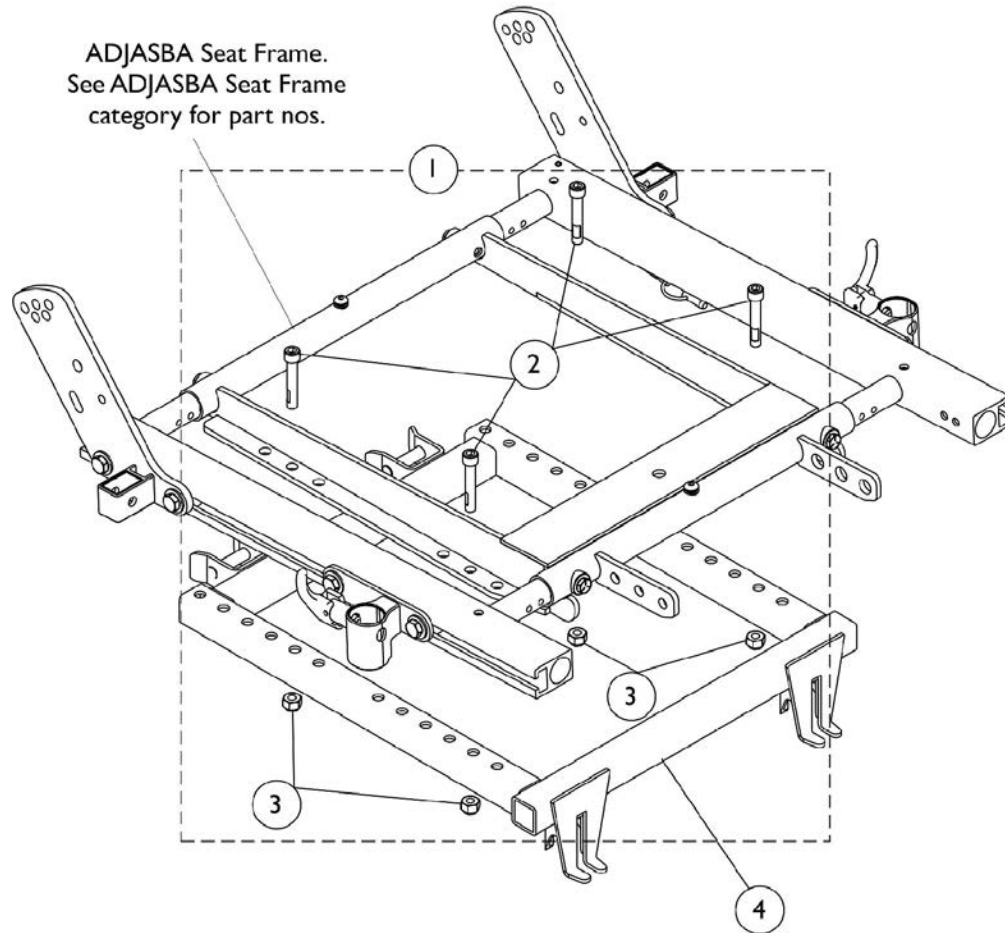
Seat Frame Width Settings

ADJASBA Seat Frame, Seat Pan and Hardware (20"-24" Wide) x (16"-22" Deep) (After 10/03/05)

Item Number	Note	Part Number	Description	Quantity Per	
				Package	Assembly
1	D	1120288	Frame, Center Seat, Black	1	1
2		1120283	Crossbar, Seat Frame (20" - 24" W)	1	4
3		1122647	Rail, Seat Frame (16 - 20" D For Formula TRE and 16 - 19" D For ADJASBA)	1	2
3		1122677	Rail, Seat Frame (20 - 22" D Formula TRE) (19 - 22" D ADJASBA)	1	2
4		1124388	Pan, Seat, with Hook and Loop Fasteners (20 - 24" W) x (16 - 20" D For Formula TRE) & (16 - 19" D For ADJASBA)	1	1
4		1124667	Pan, Seat with Hook and Loop Fasteners (20 - 24" W) x (20 - 22" D For Formula TRE) & (19 - 22" D For ADJASBA)	1	1
5	A	1043082	Hook Fastener with Adhesive Back (2" W x 18" L)	1	2
5	A	1044580	Loop Fastener with Adhesive Back (2" W x 18" L)	1	2
5	B	1043084	Hook Fastener with Adhesive back (2" W x 22" L)	1	2
5	B	1044584	Loop Fastener with Adhesive back (2" W x 22" L)	1	2
6	C	1135501	Kit, Seat Frame Assembly Hardware	1	1
7			Screw, Hex Head w/ Patch (1/4-20 x 3/4")	1	8
8			Washer (1/4 x 1/2 x 1/16")	1	2
9			Spacer, Coved (1/4 x 11/16 x 1/2")	1	4
10			Screw, Socket Button (1/4-20 x 3/4")	1	2
11			NLA - Pin, Roll (3/16 x 1")	1	2
12		1114823	Decal, Seat Adjustment Warning	1	2
NOTE: A - For 16"-19" deep seats B - For 19"-22" deep seats C - Includes items 7-11 D - When ordering Center Seat Frame (item 1), also order 2 ea. Seat Adjustment Warning Decal (item 12).					

Seat Adapter and Mounting Hardware

ADJASBA Seats (After 10/03/05)

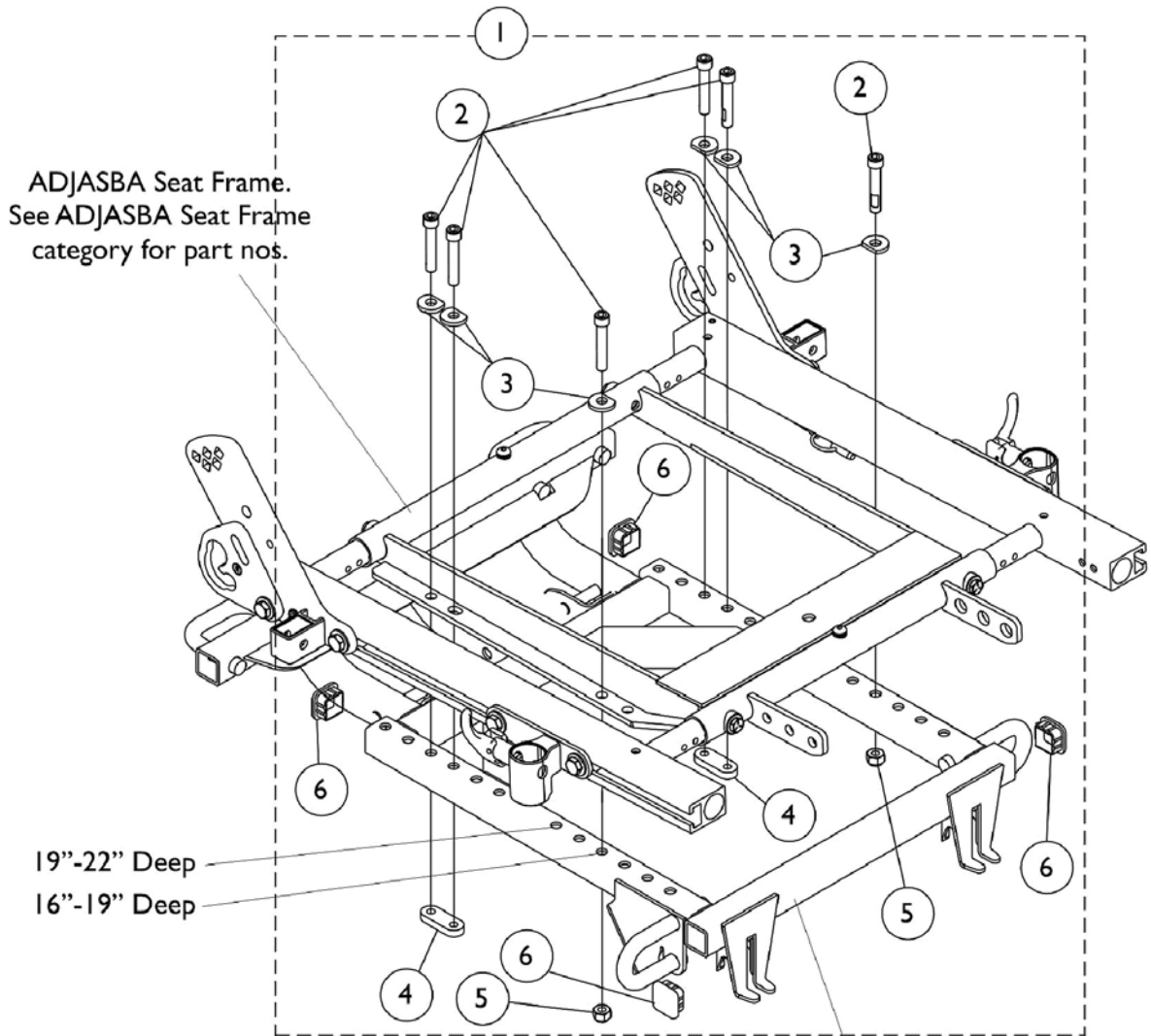


Item Number	Note	Part Number	Description	Quantity Per	
				Package	Assembly
1	A	1136009	Kit, Seat Adapter Mounting Hardware - ADJASBA	1	1
2			Screw, Socket Head w/ Patch (5/16-18 x 1-3/4")	1	4
3			Locknut (5/16-18)	1	4
4		1106480	Adapter, Seat Frame	1	1

NOTE: A - Includes items 2 and 3

Seat Adapter and Mounting Hardware

ADJASBA Seats with TRRO/TRBKTS

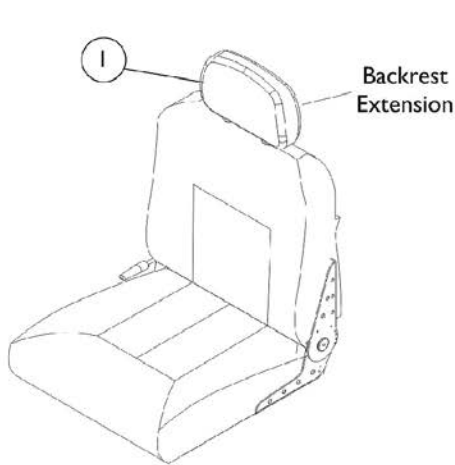


Seat Frame Adapter for TRRO option is not a serviceable part. Please call Technical Services for assistance (1-800-832-4707).

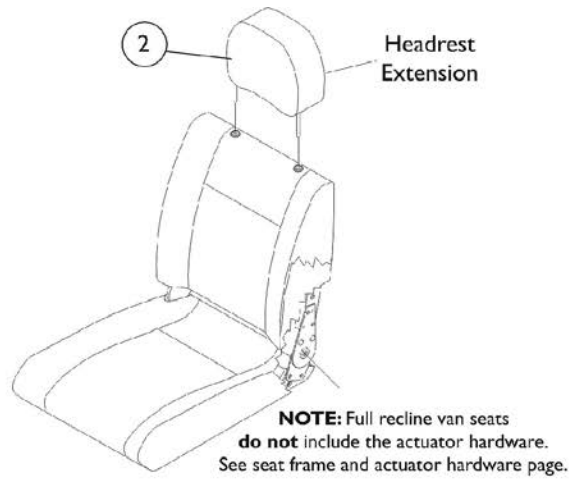
Seat Adapter and Mounting Hardware ADJASBA Seats with TRRO/TRBKTS

Item Number	Note	Part Number	Description	Quantity Per	
				Package	Assembly
1		1139892-NLA	NLA - Kit, Seat Adapter Mounting Hardware - ADJASBA with TRRO/TRBKTS	1	1
2			Screw, Socket Head w/ Patch (5/16-18 x 1-3/4")	1	6
3			NLA - Washer, Ground (11/32 x 13/16 x 1/8")	1	6
4			NLA - Nut, Strap	1	2
5			Locknut (5/16-18)	1	2
6			Plug Button, Black (1" Square)	1	4

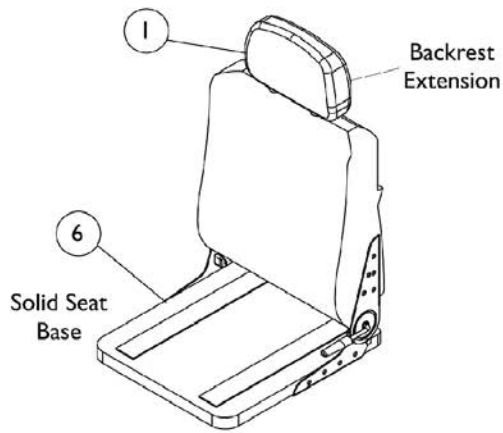
Van Seat Assembly



**#3 Van Seat
Semi Recline**



**#4 Van Seat
Full Recline**



**#5 Van Seat
Semi Recline
w/ Solid Seat Base**

Van Seat Assembly

Item Number	Note	Part Number	Description	Quantity Per	
				Package	Assembly
1		1106969-NLA	NLA - Extension, Backrest, Van Seat, Grey Fabric	1	1
1		1108408	Extension, Backrest, Captain Seat, Grey Vinyl	1	1
1		1106968-NLA	NLA - Extension, Backrest, Van Seat, Tan Vinyl	1	1
2		1106967	Headrest, Van Seat, Full Recline, Grey Fabric	1	1
2		1108409-NLA	NLA - Headrest, Van Seat, Full Recline, Grey Vinyl	1	1
2		1106966	Headrest, Van Seat, Full Recline, Tan Vinyl	1	1
3		See Chart	Van Seat (Semi-Recline) Assembly	1	1
4		See Chart	Van Seat (Full Recline) Assembly	1	1
5		See Chart	Van Seat (Semi-Recline) w/ Solid Seat Base Assembly	1	1
6	A,B	1123384-NLA	NLA - Base, Solid, Captain Seat, Grey Vinyl (16" W)	1	1
6	A	1123385-NLA	NLA - Base, Solid, Van Seat, Grey Vinyl (18" W)	1	1
6	A	1159739	Base, Solid, Captain Seat, Grey Vinyl (18" W)	1	1
6	A	1123386-NLA	NLA - Base, Solid, Van Seat, Grey Vinyl (20" W)	1	1
6	A	1159740	Base, Solid, Captain Seat, Grey Vinyl (20" W)	1	1
6	A	1123387-NLA	NLA - Base, Solid, Van Seat, Grey Vinyl (22" W)	1	1
6	A	1159741	Base, Solid, Captain Seat, Grey Vinyl (22" W)	1	1

NOTE: A - Solid Seat Base is the only item available for service parts with regard to the Van Seats. Seat Hinges are not sold separately.
 B - 16" Solid Base is no longer available. A complete van seat should be ordered as replacement. See chart titled, "Van Seat (Semi-Recline) w/ Solid Seat Base Assembly."

#3 Van Seat (Semi-Recline) Assembly

Upholstery Type	Van Seat with Backrest 16" Wide	Van Seat with Backrest 18" Wide	Van Seat with Backrest 20" Wide	Van Seat with Backrest 22" Wide	Hinge Bracket w/ Lever Semi-Recline Right	Hinge Bracket w/o Lever Semi-Recline Left	Screw, Phillips Truss Head (1/4-20 x 3/4")
All Grey Fabric	1150811-NLA	1109254-NLA	1159892-NLA	1109256-NLA	1116634 See Note(s) A	1116635 See Note(s) A	5000136 See Note(s) B
All Grey Vinyl	1150810	1109242	1159891	1109244	1116634 See Note(s) A	1116635 See Note(s) A	5000136 See Note(s) B
All Tan Vinyl	1150812-NLA	1109248-NLA	1159893-NLA	1109250-NLA	1116634 See Note(s) A	1116635 See Note(s) A	5000136 See Note(s) B

NOTE: A - Not Shown. Hinge Brackets used for ALL Semi-Recline Seat models only. For attaching Hinge Bracket, see part number 5000136.
 B - Not shown, Screw for Hinge Bracket(s) 1116634 and 1116635. Total of (7) required for each Bracket.

NOTE: Semi-recline Van Seat reclines approximately 90-114 degrees. Adjustable depths are (16, 17, 18" deep for 16 & 18" wide seats) and (18, 19, 20" deep for 20 & 22" wide seats). Recline release levers are standard on the right side. Left side release levers can be ordered as a special with a new captain seat.

#4 Van Seat (Full Recline) Assembly

Van Seat Assembly

#4 Van Seat (Full Recline) Assembly

Upholstery Type	Van Seat with Backrest 18" Wide	Van Seat with Backrest 20" Wide	Van Seat with Backrest 22" Wide
All Grey Fabric	1109257-NLA	1109258-NLA	1109259
All Grey Vinyl	1109245-NLA	1109246-NLA	1109247-NLA
All Tan Vinyl	1109251-NLA	1109252-NLA	1109253-NLA

When converting from a semi-recline to a full recline van seat, a sensor cable must be ordered. See battery charger and harness page.
Actuator mounting hardware is not included with a full recline van seat. See actuator hardware page.

Van Seat Assembly

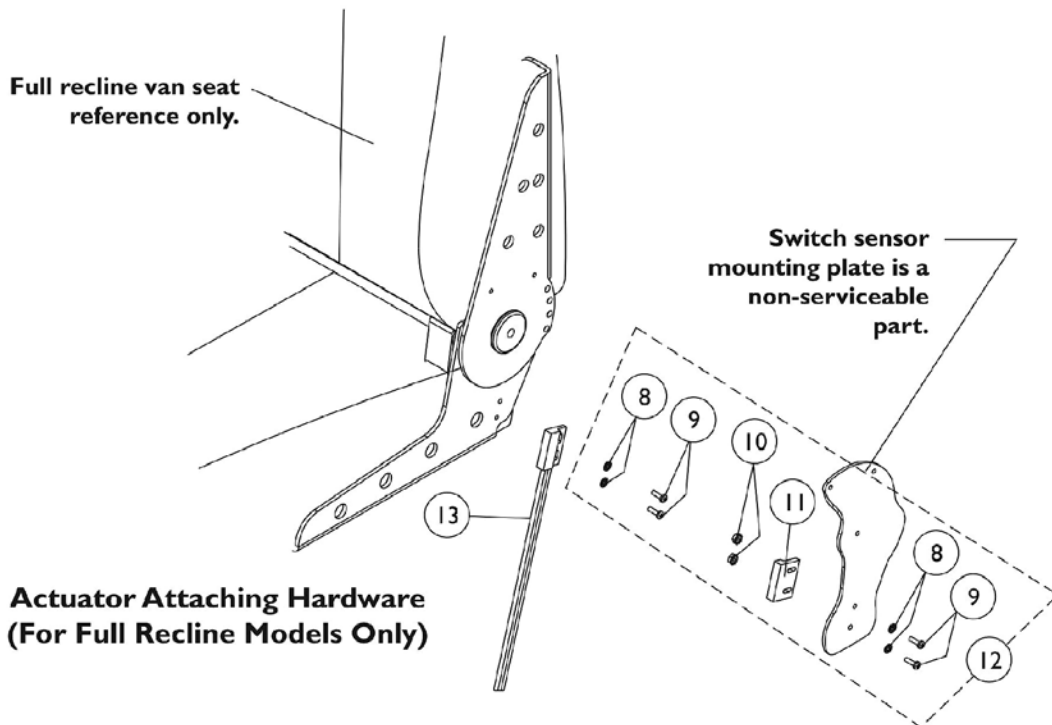
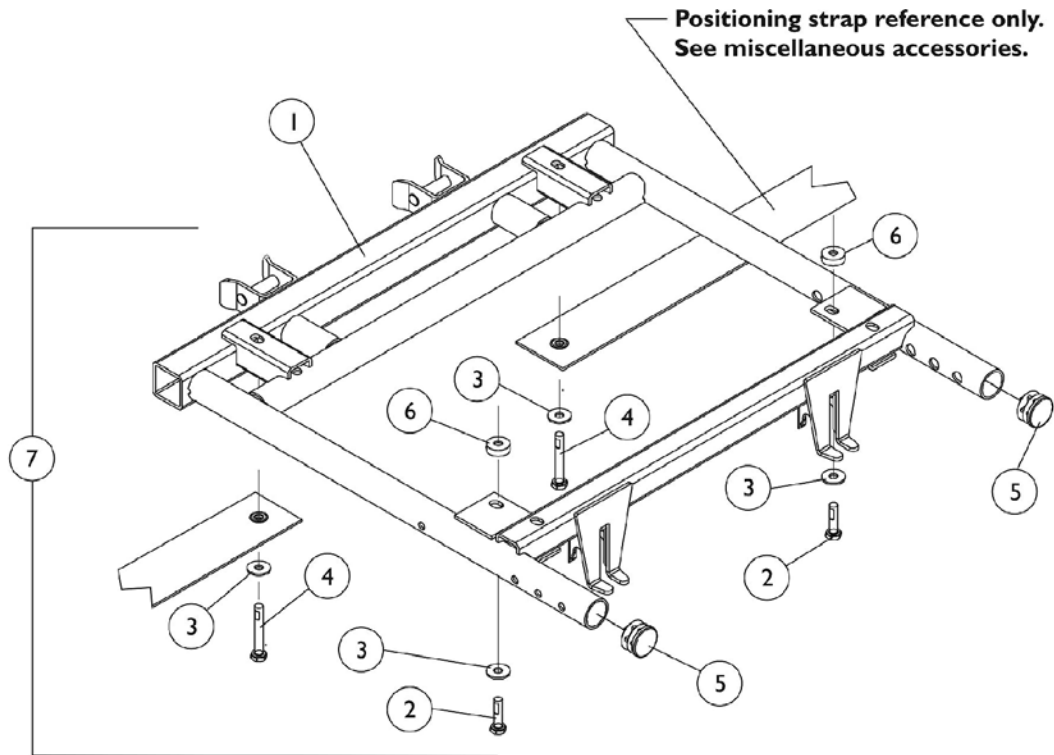
#5 Van Seat (Semi-Recline) w/ Solid Seat Base Assembly

Upholstery Type	Van Seat w/ Solid Seat and Backrest 16" Wide	Van Seat w/ Solid Seat and Backrest 18" Wide	Van Seat w/ Solid Seat and Backrest 20" Wide	Van Seat w/ Solid Seat and Backrest 22" Wide
All Grey Fabric	N/A	N/A	N/A	N/A
All Tan Vinyl	N/A	N/A	N/A	N/A
All Grey Vinyl	1150819	1150820	1159886	1150822

NOTE: Semi-recline Van Seat reclines approximately 90-114 degrees. Adjustable depths are (16, 17, 18" deep for 16 & 18" wide seats) and (18, 19, 20" deep for 20 & 22" wide seats). Recline release levers are standard on the right side. Left side release levers can be ordered as a special with a new captain seat.

Van Seat Frame & Actuator Hardware

NOTE: Seat Release Hardware is not included with a Van Seat Frame. See page titled "Seat Release Hardware".



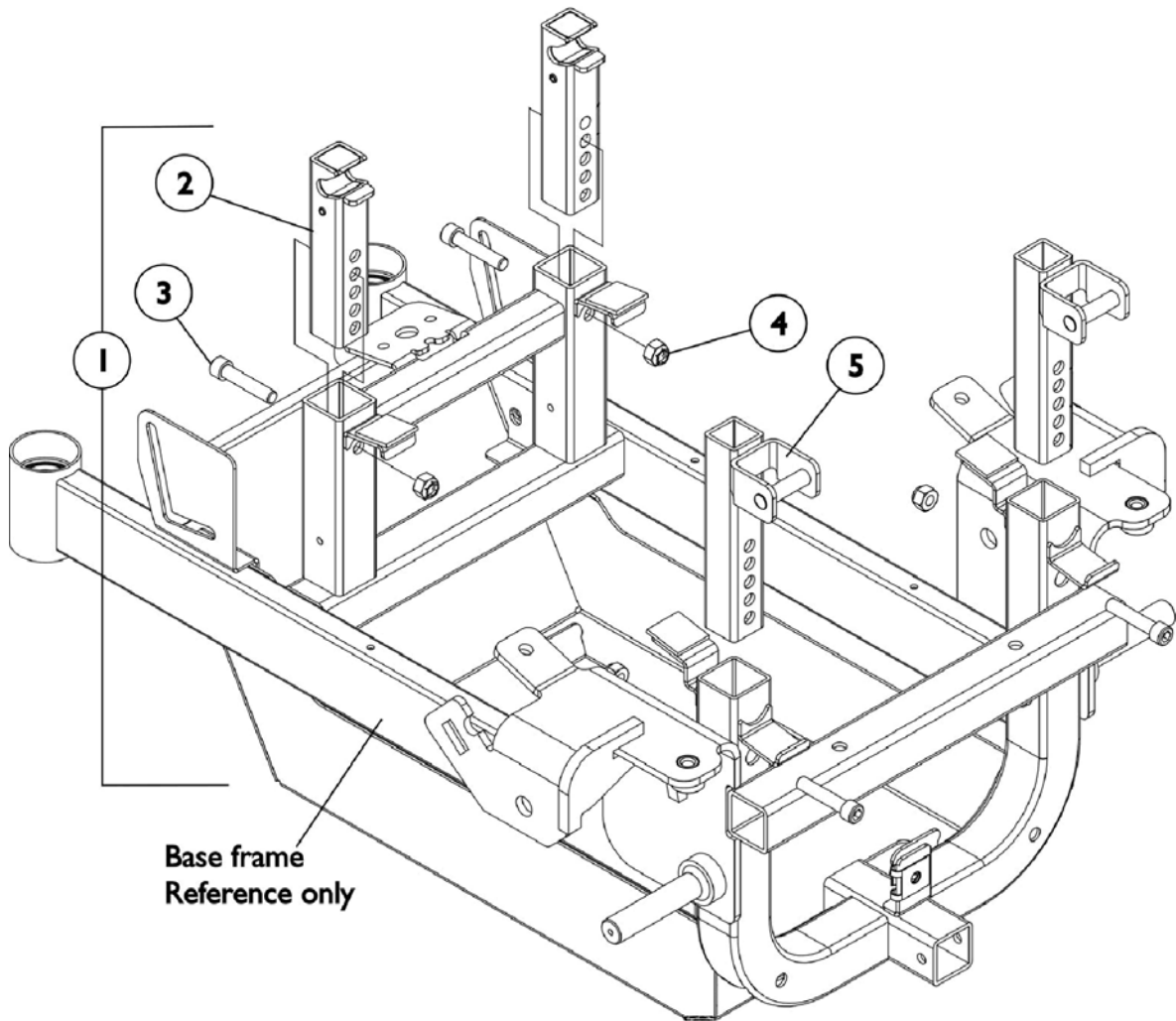
Van Seat Frame & Actuator Hardware

NOTE: Seat Release Hardware is not included with a Van Seat Frame. See page titled "Seat Release Hardware".

Item Number	Note	Part Number	Description	Quantity Per	
				Package	Assembly
1	C	1123423-NLA	NLA - Frame, Van Seat, Black (16" W)	1	1
1	C	1115343	Frame, Van Seat, Black (18" W)	1	1
1	C	1115344	Frame, Van Seat, Black (20" W)	1	1
1	C	1115345	Frame, Van Seat, Black (22" W)	1	1
2		1088897-NLA	NLA - Screw, Hex Head w/ Patch (1/4-20 x 1-1/4")	1	2
3		1026900	Washer (1/4 x 23/32 x 1/16")	1	2
4		1052957	Screw, Hex Head w/ Patch (1/4-20 x 2")	1	2
5		1029501	Plug Button, Black (1")	1	2
6		1108410	Spacer (1/4 x 5/8 x 1/4")	1	2
7	A	1116421	Hardware, Van Seat Mounting	1	1
8		1008525-NLA	NLA - Washer, Internal Tooth Lock (#4-40)	1	4
9		7930339-NLA	NLA - Package, Screw, Phillips Pan Head (#4-40 x 3/8")	25	4
10		P0870X000	Nut, Hex Keps (#4-40)	1	2
11		1024001	Sensor, Actuator Switch	1	1
12	B	1107242-NLA	NLA - Hardware, Actuator Switch Sensor Mounting	1	1
13		1074983-NLA	NLA - Cable, Limit Switch Sensor	1	1

NOTE: A - Includes items 2-6
 B - Includes items 8-11
 C - NOTE: Seat Release Hardware is not included with a Van Seat Frame. See page titled "Seat Release Hardware".

Seat Height Adjustment Slide Tubes



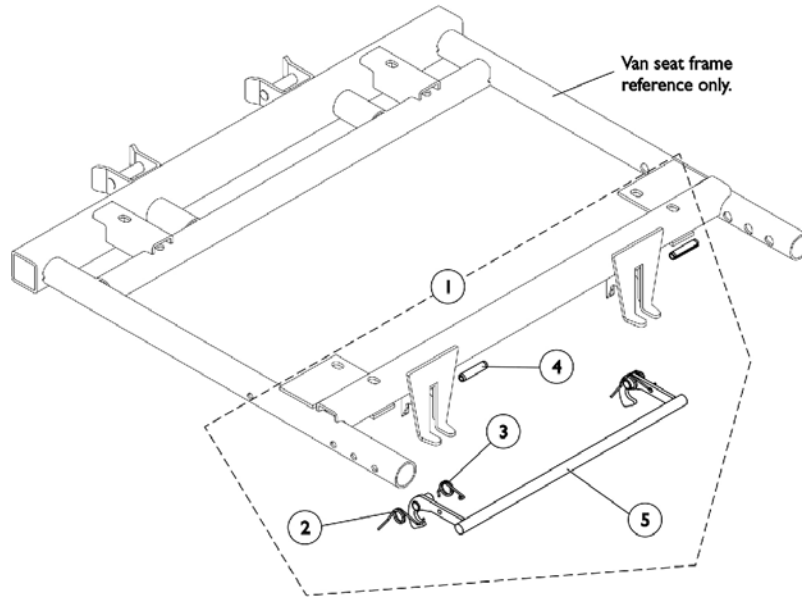
Seat Height Adjustment Slide Tubes

Item Number	Note	Part Number	Description	Quantity Per	
				Package	Assembly
1	A,B	1110707-NLA	NLA - Kit, Seat Height Adjustment Slide Tubes and Hardware	1	1
2			NLA - Slide Tube Assembly, Seat Height Adjustment, Rear	1	2
3			Screw, Socket Head (5/16-18 x 1-1/2")	1	4
4			Locknut (5/16-18)	1	4
5			NLA - Slide Tube Assembly, Seat Height Adjustment, Front	1	2
1	A,C	1116615-NLA	NLA - Kit, Front/Rear Slide Tube w/ Hardware, Seat Height Adjustment (Pair)	1	1
2		1109019-NLA	NLA - Slide Tube, Seat Height Adjustment - Rear	1	2
2	D	1152529-NLA	NLA - Slide Tube Assembly, Seat Height Adjustment, Rear	1	2
3		1021344	Screw, Socket Head (5/16-18 x 1-1/2")	1	4
4		1026158	Locknut (5/16-18)	1	4
5	B	1109215-NLA	NLA - Slide Tube Assembly, Seat Height Adjustment, Front	1	2
5	C	1116614-NLA	NLA - Slide Tube Assembly, Seat Height Adjustment, Front	1	2

NOTE: A - Includes Items 2-5
 B - 300 Lb. capacity
 C - 400 Lb. capacity
 D - When replacing a "Slide Tube, Seat Height Adjustment - Rear" part # 1109019 with the part # 1152529 both sides must be replaced simultaneously.

Seat Release Hardware

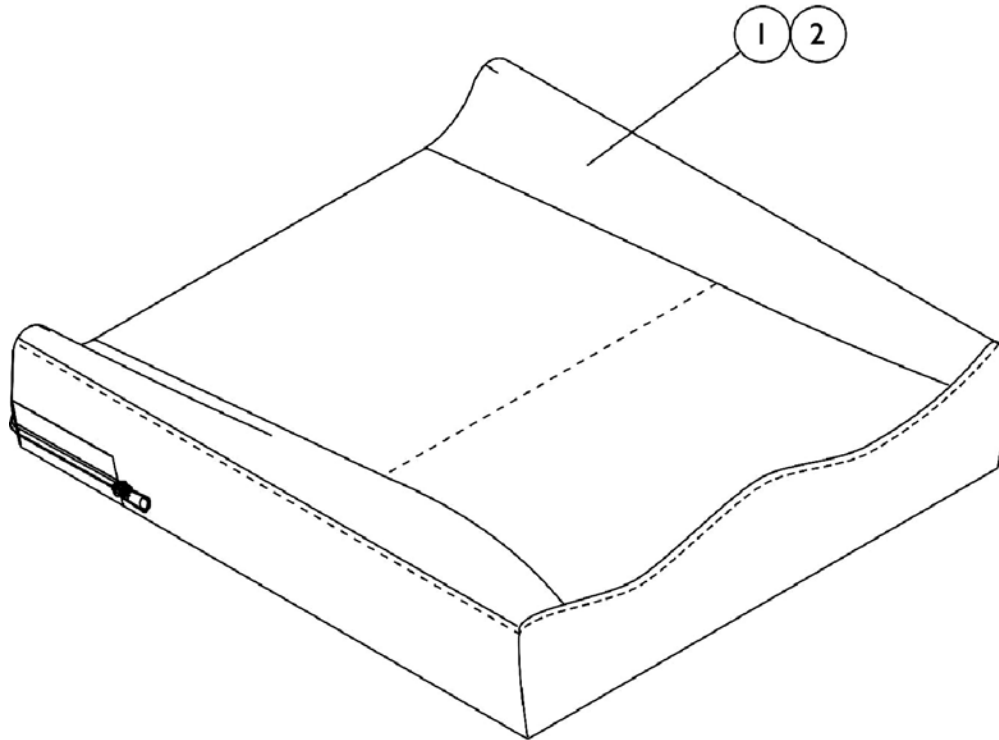
(For Van Seat and A.S.B.A. Seat)



Item Number	Note	Part Number	Description	Quantity Per	
				Package	Assembly
1	A	1108068	Kit, Seat Release Hardware	1	1
2		1109219-NLA	NLA - Spring, Torsion - Right	1	1
3		1109220-NLA	NLA - Spring, Torsion - Left	1	1
4		1108239-NLA	NLA - Pin, Slotted (1/4 x 1-1/8")	1	2
5		1106476-NLA	NLA - Latch Bar, Seat, Black	1	1

NOTE: A - Includes items 2-5

Seat Cushion Assembly Contoura Seating



#1 Contoura Seat Cushion Assembly

NOTE: To order a Mesh Contoura Seat Cushion Assembly, please use quote # SM-100908010838 when placing your order.

Chair Width	16" Deep	17" Deep	18" Deep	19" Deep	20" Deep	21" Deep	22" Deep
16" Wide	1132982 See Note(s) A	1132983-NLA See Note(s) A	1132984 See Note(s) A	1132985 See Note(s) A	1132986 See Note(s) A	N/A	N/A
18" Wide	1132987 See Note(s) A	1132988-NLA See Note(s) A	1132989 See Note(s) A	1132990 See Note(s) A	1132991 See Note(s) A	N/A	N/A
20" Wide	1132992 See Note(s) A	1132993-NLA See Note(s) A	1132994 See Note(s) A	1132995 See Note(s) A	1132996 See Note(s) A	1132997 See Note(s) A	1132998 See Note(s) A
22" Wide	N/A	N/A	1132999 See Note(s) A	1133000 See Note(s) A	1133001 See Note(s) A	1133002 See Note(s) A	1133003 See Note(s) A
24" Wide	N/A	N/A	1133004-NLA See Note(s) A	1133005-NLA See Note(s) A	1133006-NLA See Note(s) A	1133007-NLA See Note(s) A	1133008-NLA See Note(s) A

NOTE: A - Cushion Foam is not available separately.

Seat Cushion Assembly Contoura Seating

#2 Contoura Seat Cushion Cover Before 12/16/10

Chair Width	16" Deep	17" Deep	18" Deep	19" Deep	20" Deep	21" Deep	22" Deep
16" Wide	1132953-NLA	1132954-NLA	1132955-NLA	1132956-NLA	1132957-NLA	N/A	N/A
18" Wide	1132958-NLA	1132959-NLA	1132960-NLA	1132961-NLA	1132962-NLA	N/A	N/A
20" Wide	1132963-NLA	1132964-NLA	1132965-NLA	1132966-NLA	1132967-NLA	1132968-NLA	1132969-NLA
22" Wide	N/A	N/A	1132970-NLA	1132971-NLA	1132972-NLA	1132973-NLA	1132974-NLA
24" Wide	N/A	N/A	1132975-NLA	1132976-NLA	1132977-NLA	1132978-NLA	1132979-NLA

Contoura Seat Cushion Covers listed on this chart are No Longer Available. Refer to the Contoura Seat Cushion Covers dated after 12/15/10 as a direct replacement.

Seat Cushion Assembly Contoura Seating

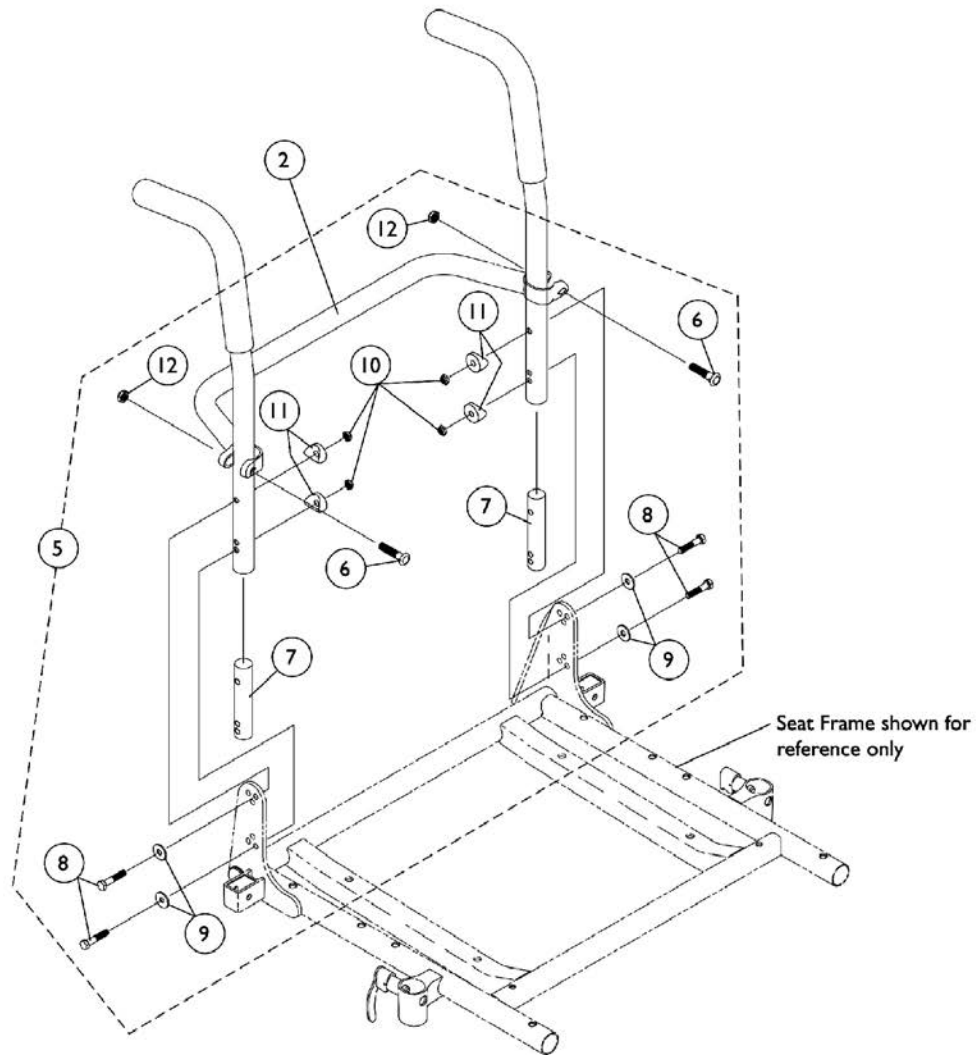
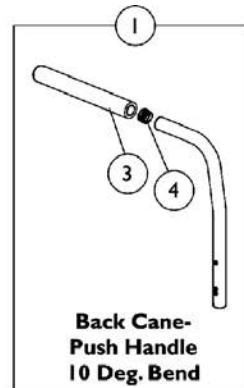
#2 Contoura Seat Cushion Cover After 12/15/10

Chair Width	16" Deep	17" Deep	18" Deep	19" Deep	20" Deep	21" Deep	22" Deep
16" Wide	1167372	1167373-NLA	1167374	1167375	1167376	N/A	N/A
18" Wide	1167377	1167378-NLA	1167379	1167380	1167381	N/A	N/A
20" Wide	1167382	1167383-NLA	1167384	1167385	1167386	1167387	1167388
22" Wide	N/A	N/A	1167389	1167390	1167391	1167392	1167393
24" Wide	N/A	N/A	1167394-NLA	1167395-NLA	1167396	1167397-NLA	1167398-NLA

#2 Contoura Seat Cushion Cover, Mesh (CTBMSH)

Chair Width	16" Deep	17" Deep	18" Deep	19" Deep	20" Deep	21" Deep	22" Deep
16" Wide	1164208	1164209	1164210	1164211	1164212	N/A	N/A
18" Wide	1164213	1164214	1164215	1164216	1164217	N/A	N/A
20" Wide	1164218	1164219	1164220	1164221	1164222	1164223	1164224
22" Wide	N/A	N/A	1164225	1164226	1164227	1164228	1164229
24" Wide	N/A	N/A	1164230	1164231	1164232	1164233	1164234

Back Canes, Spreader Bar w/ Attaching Hardware For ASBA Seat (Before 10/04/05)



Back Canes, Spreader Bar w/ Attaching Hardware For ASBA Seat (Before 10/04/05)

Item Number	Note	Part Number	Description	Quantity Per	
				Package	Assembly
1		See Chart	#1 10° Back Cane with Grip (16-20" Back Height)	1	2
2		See Chart	#2 Spreader Bar (16-20" Wide)	1	1
2		See Chart	#2 Spreader Bar (21-24" Wide)	1	1
3		1135506	Package, Foam Hand Grip (9" L)	10	1
4		1130582	Package, Plug Button, Black (7/8")	10	1
5	A	1070457-NLA	NLA - Kit, Back Cane Attaching Hardware	2	1
6			Screw w/ Lug (5/16-24 x 1-3/8")	1	2
7			Insert, Non-Threaded Back Cane (For Back Heights 20" and Lower)	1	2
8			Screw, Hex Head (1/4-20 x 1-5/8")	1	4
9			Washer (1/4 x 23/32 x 1/16")	1	4
10			Locknut (1/4-20)	1	4
11			Spacer, Coved (1/4 x 11/16 x 1/2")	1	4
12			Locknut (5/16-24)	1	2

NOTE: A - Includes Items 6-12

#1 10° Back Cane with Grip

16-20" Back Height

16" High	17" High	18" High	19" High	20" High
1045575	1045576	1045577	1045578	1045579-NLA

#2 Spreader Bar

16-20" Wide

16" Wide	17" Wide	18" Wide	19" Wide	20" Wide
1043873	1043874	1043875	1043876	1043877

#2 Spreader Bar

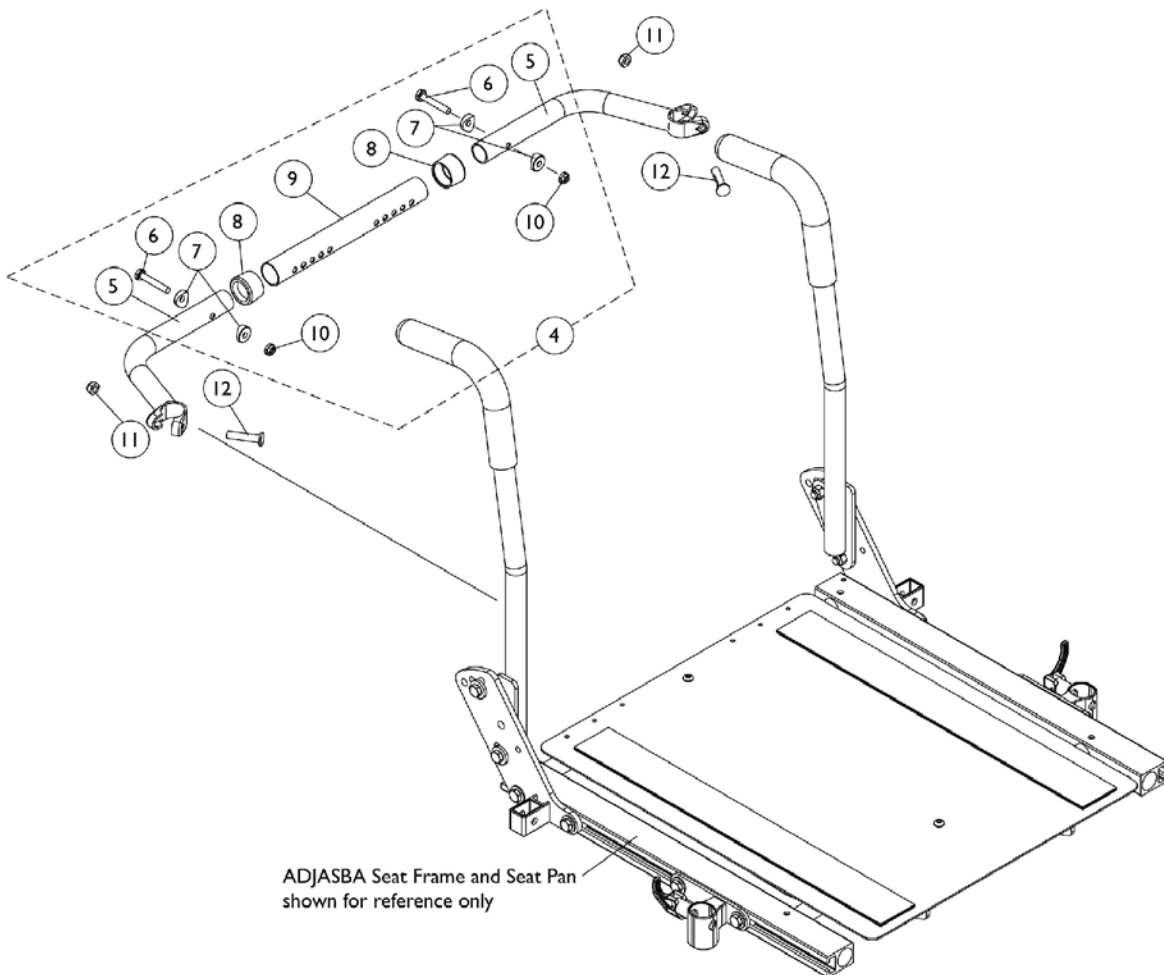
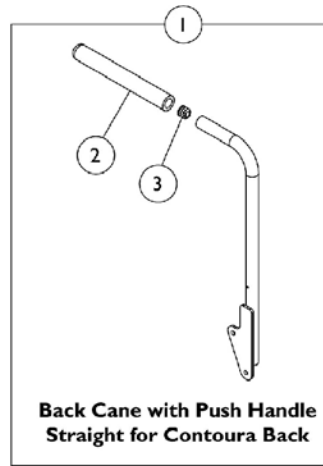
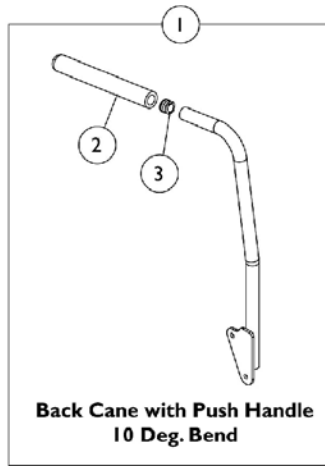
21-24" Wide

21" Wide	22" Wide	23" Wide	24" Wide
1043878-NLA	1043879-NLA	1043880-NLA	1043881-NLA

Back Canes and Spreader Bars

For ADJASBA Seat (After 10/3/05)

Contoura, Curve Contoura Backs for ADJASBA Seating do not utilize a Spreader Bar Assembly.



Back Canes and Spreader Bars For ADJASBA Seat (After 10/3/05)

Contoura, Curve Contoura Backs for ADJASBA Seating do not utilize a Spreader Bar Assembly.

Item Number	Note	Part Number	Description	Quantity Per	
				Package	Assembly
1		See Chart	#1 Back Cane Assemblies	1	1
2		1135506	Package, Foam Hand Grip (9" L)	10	1
3		1134426	Package, Plug Button, Black (3/4")	10	1
4	A	1125709	Kit, Spreader Bar Assembly (16"-20" Wide)	1	1
5			NLA - Handle, Spreader Bar, Black	1	2
6			Screw, Hex Head (1/4-20 x 1-1/2")	1	2
7			Spacer, Coved (1/4 x 11/16 x 1/2")	1	4
8			Anti-Rattle (1")	1	2
9			Tube, Spreader Bar, Adjustable, Black (16 - 20" W)	1	1
10			NLA - Locknut (1/4-20)	1	2
4	A	1125710	Kit, Spreader Bar Assembly 20"-24" Wide	1	1
5			NLA - Handle, Spreader Bar, Black	1	2
6			Screw, Hex Head (1/4-20 x 1-1/2")	1	2
7			Spacer, Coved (1/4 x 11/16 x 1/2")	1	4
8			Anti-Rattle (1")	1	2
9			Tube, Spreader Bar, Adjustable, Black (20 - 24" W)	1	1
10			NLA - Locknut (1/4-20)	1	2
11		1025730	Locknut (5/16-24)	1	2
12		1031026	Screw w/ Lug (5/16-24 x 1-3/8")	1	2

NOTE: A - Includes items 5-10

#1 Back Cane Assemblies

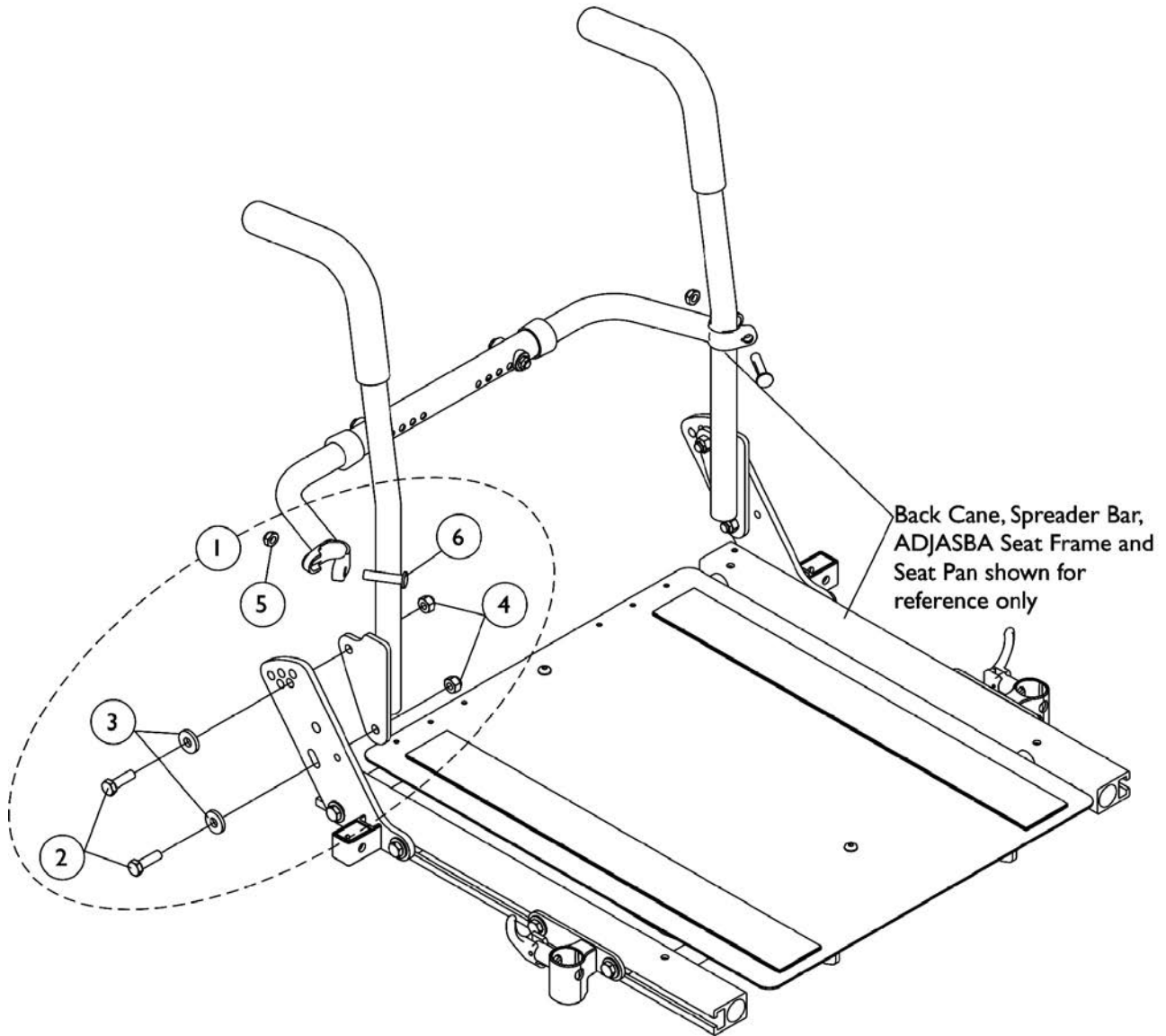
Back Cane Assemblies include Foam Grips and Plug Buttons where shown

Back Height	Back Cane - Push Handle 10 Deg. Bend Right	Back Cane - Push Handle 10 Deg. Bend Left	Back Cane - Push Handle Straight for Contoura Right	Back Cane - Push Handle Straight for Contoura Left
16"	1133822	1133823	N/A	N/A
17"	1133824	1133825	N/A	N/A
18"	1133826	1133827	1143334 See Note(s) A	1143335 See Note(s) A
19"	1133828	1133829	N/A	N/A
20"	1133830	1133831	N/A	N/A

NOTE: A - Wheelchairs manufactured before 5/15/09 with a Contoura Back 25" or 29" high and wheelchairs manufactured after 5/14/09 with a Curve Contoura Back 22" high will use the 18" high Straight Back Cane w/ Push Handle.

Back Cane Attaching Hardware

For ADJASBA Seat (After 10/03/05)

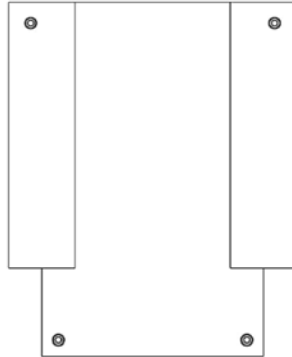


Back Cane Attaching Hardware For ADJASBA Seat (After 10/03/05)

Item Number	Note	Part Number	Description	Quantity Per	
				Package	Assembly
1	A	1133755	Kit, Back Cane Mounting Hardware (Pair)	2	1
2			Screw, Hex Head (5/16-18 x 1")	1	4
3			Washer, Flat (21/64 x 53/64 x 7/64")	1	4
4			Locknut (5/16-18)	1	4
5			Locknut (5/16-24)	1	2
6			Screw w/ Lug (5/16-24 x 1-3/8")	1	2

NOTE: A - Includes items 2-6

ASBA/ADJASBA Back Upholstery, Nylon



Single Liners & Dual Liners
-Nylon

Single Liners

Back Width	16"-17" High	18"-19" High	20" High
16" Wide	1045175	1045207	1068947
17" Wide	1045176	1045208	1068948
18" Wide	1045177	1045209	1068949

Dual Liners

Back Width	16"-17" High	18"-19" High	20" High
16" Wide	1045180	1045212	1068952
17" Wide	1045181	1045213	1068953
18" Wide	1045182	1045214	1068954
19" Wide	1045183	1045215	1068955
20" Wide	1045184	1045216	1068956
21" Wide	1045185	1045217	1068957
22" Wide	1045186	1045218	1068958
23" Wide	1045187-NLA	1045219-NLA	1068959-NLA
24" Wide	1045188-NLA	1045220-NLA	1068960-NLA

Dual liner back upholstery is used with chairs that have a seat deeper than 17" or back wider than 18".

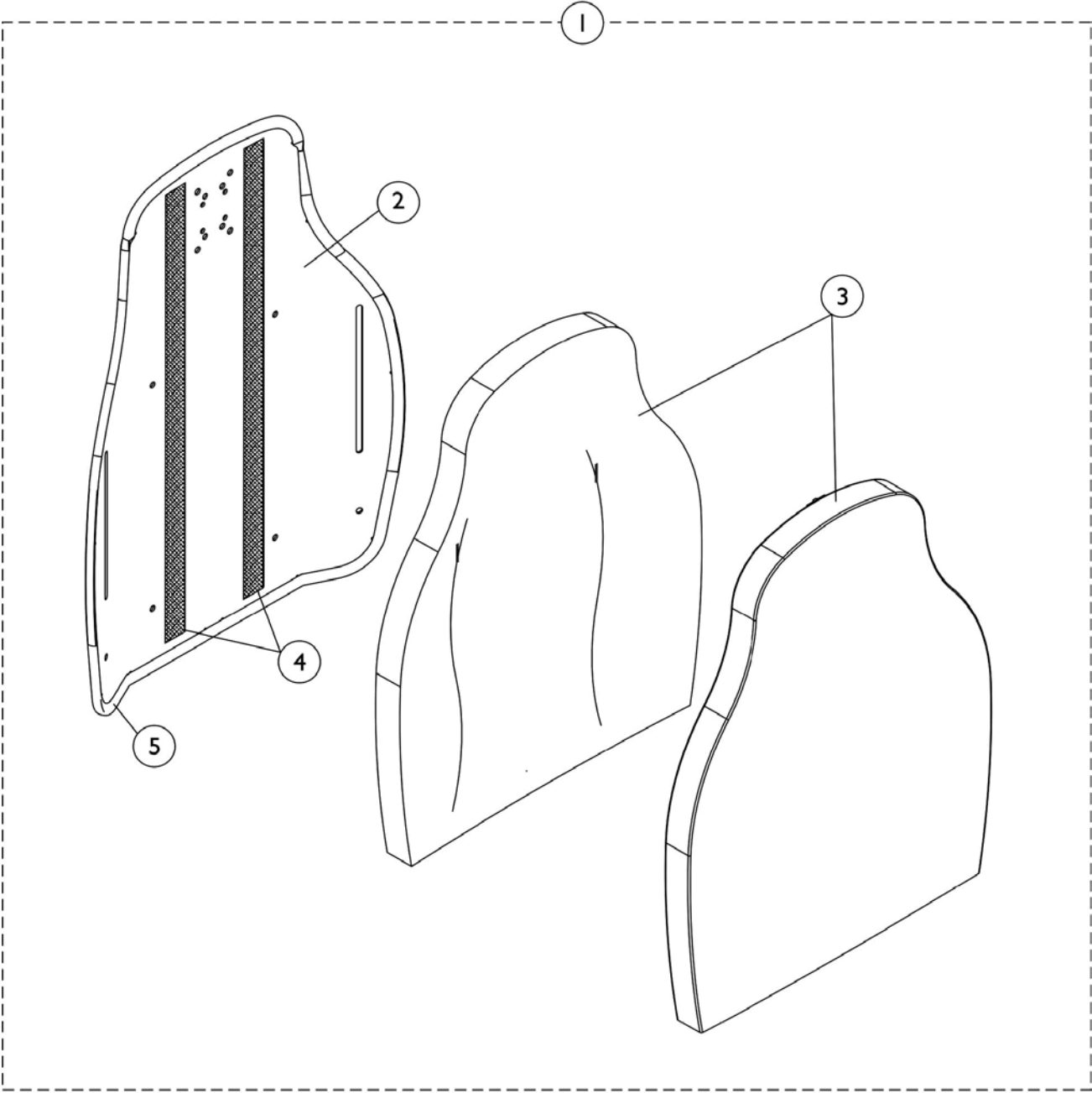
ASBA/ADJASBA Back Upholstery, Nylon

Back Upholstery Hardware

Item Number	Note	Part Number	Description	Quantity Per	
				Package	Assembly
	A	1026298	Package, Screw with Washer (#10 x 7/8") (Pair)	2	1
	A	98007X005	Tie Wrap (11-1/2" L)	1	2
	A	See Chart	Single Liners	1	1
	A	See Chart	Dual Liners	1	1

NOTE: A - Not Shown

Contoura Back without Mounting Hardware - ADJASBA Only (Before 5/15/09)



Contoura Back without Mounting Hardware - ADJASBA Only (Before 5/15/09)

#1 Back Assembly without Hardware 16", 18", 20", 22", 24" Wide

Overall Back Height	Material Back Height	16" Wide	18" Wide	20" Wide	22" Wide	24" Wide
25"	20"	1132828-NLA	1132829-NLA	1132830-NLA	1132831-NLA	1132832-NLA
29"	24"	1132825-NLA	1124733-NLA	1124734-NLA	1132826-NLA	1132827-NLA

#2 Back Pan with Vinyl Edge Trim 16", 18", 20", 22", 24" Wide

Overall Back Height	Material Back Height	16" Wide	18" Wide	20" Wide	22" Wide	24" Wide
25"	20"	1131405-NLA	1131406-NLA	1131407-NLA	1131408-NLA See Note(s) A	1131409-NLA
29"	24"	1131410-NLA	1122454-NLA	1122453-NLA	1131411-NLA	1131412-NLA

NOTE: A - Item is No Longer Available. Back Assembly, part # 1132831 must be purchased for replacement.

#3 Back Cushion Assembly 16", 18", 20", 22", 24" Wide

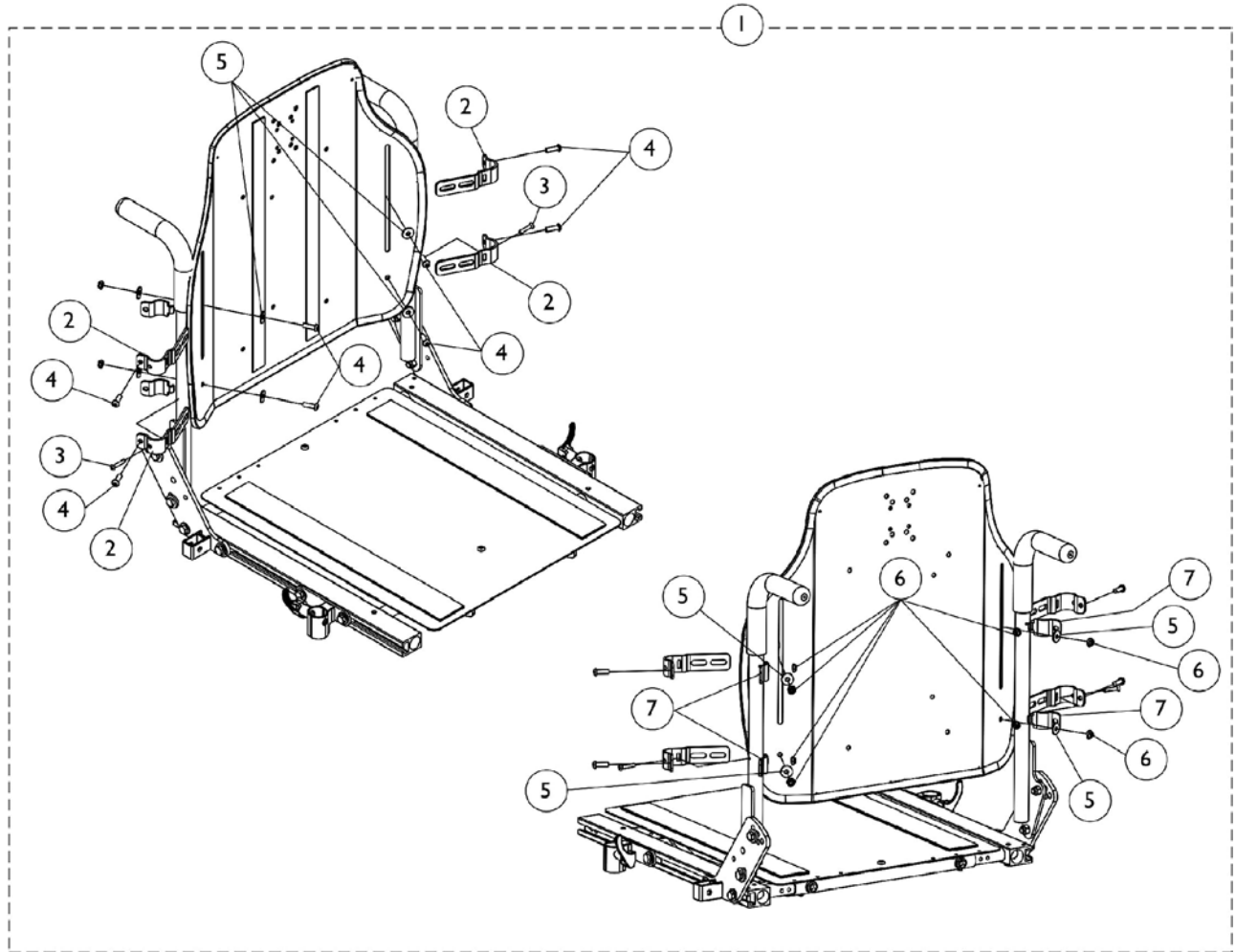
Overall Back Height	Material Back Height	16" Wide	18" Wide	20" Wide	22" Wide	24" Wide
25"	20"	1132820-NLA	1132821-NLA	1132822-NLA	1132823-NLA	1132824-NLA
29"	24"	1132817-NLA	1125641-NLA	1125642-NLA	1132818-NLA	1132819-NLA See Note(s) A

NOTE: A - Item is No Longer Available. Back Assembly, part # 1132827 must be purchased for replacement.

Contoura Back without Mounting Hardware - ADJASBA Only (Before 5/15/09)

Item Number	Note	Part Number	Description	Quantity Per	
				Package	Assembly
1		See Chart	#1 Back Assembly without Hardware 16", 18", 20", 22", 24" Wide	1	1
2		See Chart	#2 Back Pan with Vinyl Edge Trim 16", 18", 20", 22", 24" Wide	1	1
3		See Chart	#3 Back Cushion Assembly 16", 18", 20", 22", 24" Wide	1	1
4		1125725-NLA	NLA - Hook Fastener w/ Adhesive Back (1" W x 48" L)	1	1
5		1125724-NLA	NLA - Trim, Edge, Cut-To-Length, Vinyl Black (96" L)	1	1

Contoura Back Mounting Hardware - ADJASBA Only (Before 5/15/09)

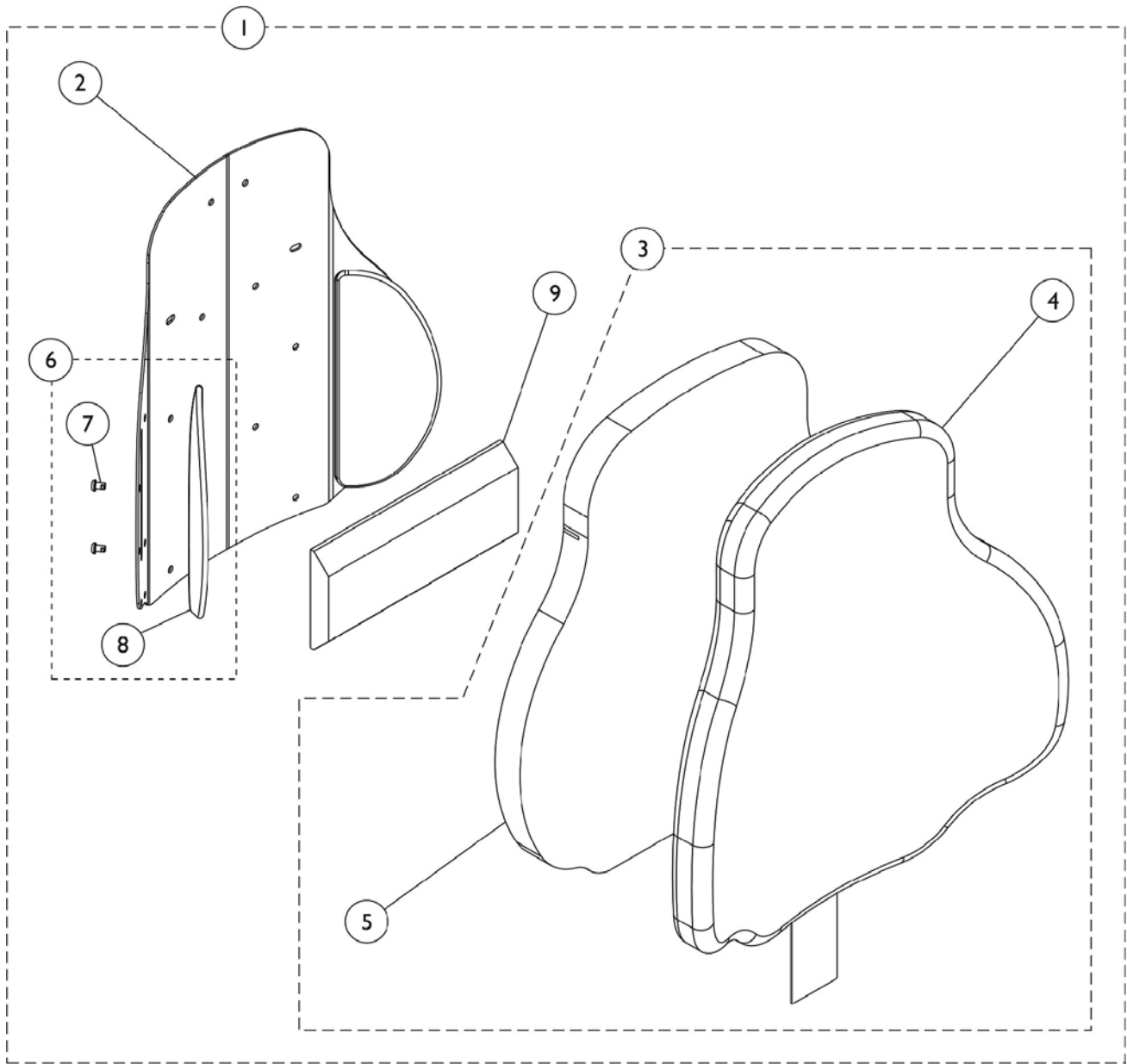


Contoura Back Mounting Hardware - ADJASBA Only (Before 5/15/09)

Item Number	Note	Part Number	Description	Quantity Per	
				Package	Assembly
1	A	1140945	Kit, Contoura Back Mounting Hdwr. - Round Canes	1	1
2			Bracket, Back Mounting, Front, Black	1	4
3			NLA - Screw, Phillips Oval Head (#10-16 x 7/8")	1	2
4			Screw, Socket Button (1/4-20 x 3/4")	1	8
5			Washer (1/4 x 23/32 x 1/16")	1	8
6			NLA - Locknut (1/4-20)	1	8
7			Bracket, Back Mounting, Rear, Black	1	4

NOTE: A - Includes items 2-7

Curve Contoura Back w/o Mounting Hardware (After 5/14/09)



Curve Contoura Back w/o Mounting Hardware (After 5/14/09)

Item Number	Note	Part Number	Description	Quantity Per	
				Package	Assembly
1	A	See Chart	#1 Curved Contoura Back Kit	1	1
1	A	See Chart	#1 Mesh Curved Contoura Back Kit (CTBMSH)	1	1
3	B	See Chart	#3 Curve Contoura Back Cushion Assembly	1	1
3	B	See Chart	#3 Mesh Curve Contoura Back Cushion Assembly (CTBMSH)	1	1
6	C	1166151	Kit, Lateral Support, Contoura Back (22" H) (Pair)	1	1
			Screw, Socket, Button (1/4-20 x 3/8")	1	4
			Support, Lateral (22" H)	1	2
6	C	1163130-NLA	NLA - Kit, Lateral Support, Contoura Back (25" H) (Pair)	1	1
7			Screw, Socket, Button (1/4-20 x 3/8")	1	4
8			Support, Lateral (25" H)	1	2
6	C	1163131-NLA	NLA - Kit, Lateral Support, Contoura Back (28" H) (Pair)	1	1
7			Screw, Socket, Button (1/4-20 x 3/8")	1	4
8			Support, Lateral (28" H)	1	2
9		1084410-NLA	NLA - Support, Lumbar - Large	1	1

NOTE: A - Includes Items 2 thru 9.
 B - Includes Items 4 and 5. Back Cover and Foam are sold as a Back Cushion Assembly only.
 C - Included Items 7 and 8.

Item #2 is a non-saleable part. Refer to item #1 Kit when ordering.

#1 Curved Contoura Back Kit

Overall Back Height	Material Back Height	16" Wide	18" Wide	20" Wide	22" Wide	24" Wide
22" High	17" High	1165846 See Note(s) A	1165847 See Note(s) A	1165848 See Note(s) A	1165849 See Note(s) A	1165850 See Note(s) A
25" High	20" High	1161480 See Note(s) A	1161482 See Note(s) A	1161484 See Note(s) A	1161486 See Note(s) A	1161488 See Note(s) A
28" High	23" High	1161481 See Note(s) A	1161483 See Note(s) A	1161485 See Note(s) A	1161487 See Note(s) A	1161489 See Note(s) A

NOTE: A - Includes items 2-9
 Overall Back Height includes the spacing gap dimension from the bottom of the Back Assembly to the Seat Pan

#1 Mesh Curved Contoura Back Kit (CTBMSH)

Overall Back Height	Material Back Height	16" Wide	18" Wide	20" Wide	22" Wide	24" Wide

Curve Contoura Back w/o Mounting Hardware (After 5/14/09)

#1 Mesh Curved Contoura Back Kit (CTBMSH)

Overall Back Height	Material Back Height	16" Wide	18" Wide	20" Wide	22" Wide	24" Wide
22" High	17" High	1165837 See Note(s) A	1165842 See Note(s) A	1165843 See Note(s) A	1165844 See Note(s) A	1165845 See Note(s) A
25" High	20" High	1164235 See Note(s) A	1164237 See Note(s) A	1164239 See Note(s) A	1164241 See Note(s) A	1164243 See Note(s) A
28" High	23" High	1164236 See Note(s) A	1164238 See Note(s) A	1164240 See Note(s) A	1164242 See Note(s) A	1164244 See Note(s) A

NOTE: A - Includes items 2-9

Overall Back Height includes the spacing gap dimension from the bottom of the Back Assembly to the Seat Pan

Curve Contoura Back w/o Mounting Hardware (After 5/14/09)

#3 Curve Contoura Back Cushion Assembly

Overall Back Height	Material Back Height	16" Wide	18" Wide	20" Wide	22" Wide	24" Wide
22" High	17" High	1166146 See Note(s) B	1166147 See Note(s) B	1166148 See Note(s) B	1166149 See Note(s) B	1166150 See Note(s) B
25" High	20" High	1163248-NLA See Note(s) B	1163250 See Note(s) B	1163252 See Note(s) B	1163254 See Note(s) B	1163256 See Note(s) B
28" High	23" High	1163249-NLA See Note(s) B	1163251 See Note(s) B	1163253 See Note(s) B	1163255 See Note(s) B	1163257-NLA See Note(s) B

NOTE: B - Includes items 4 and 5. Back Cover and Foam are sold as a Back Cushion Assembly only.

Overall Back Height includes the spacing gap dimension from the bottom of the Back Assembly to the Seat Pan

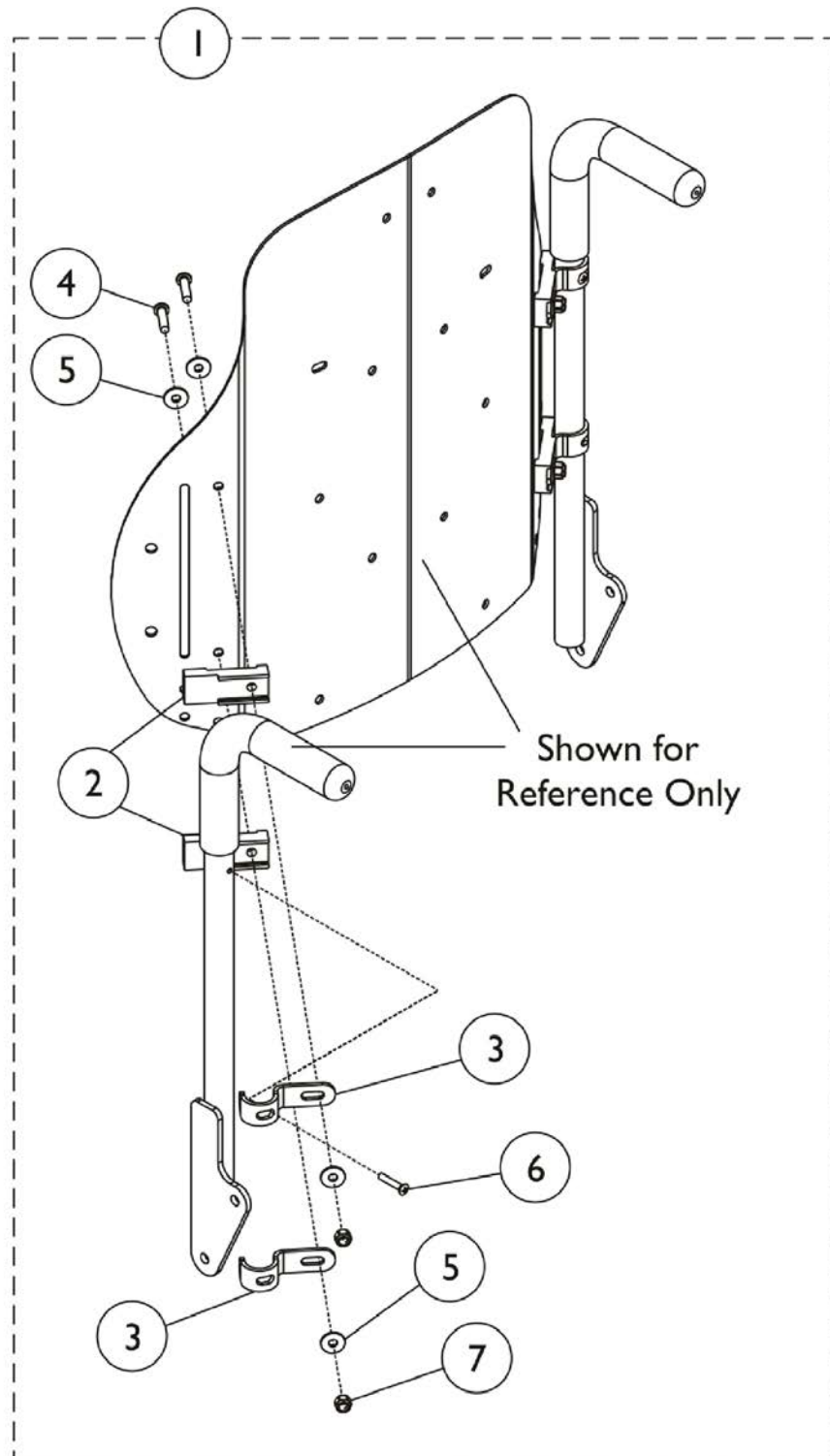
#3 Mesh Curve Contoura Back Cushion Assembly (CTBMSH)

Overall Back Height	Material Back Height	16" Wide	18" Wide	20" Wide	22" Wide	24" Wide
22" High	17" High	1166141 See Note(s) B	1166142 See Note(s) B	1166143 See Note(s) B	1166144 See Note(s) B	1166145 See Note(s) B
25" High	20" High	1171642-NLA See Note(s) B	1171644-NLA See Note(s) B	1171646-NLA See Note(s) B	1171648-NLA See Note(s) B	1171650-NLA See Note(s) B
28" High	23" High	1171643-NLA See Note(s) B	1171645-NLA See Note(s) B	1171647-NLA See Note(s) B	1171649-NLA See Note(s) B	1171651-NLA See Note(s) B

NOTE: B - Includes items 4 and 5. Back Cover and Foam are sold as a Back Cushion Assembly only.

Overall Back Height includes the spacing gap dimension from the bottom of the Back Assembly to the Seat Pan

Curve Contoura Mounting Back Hardware (After 5/14/09)

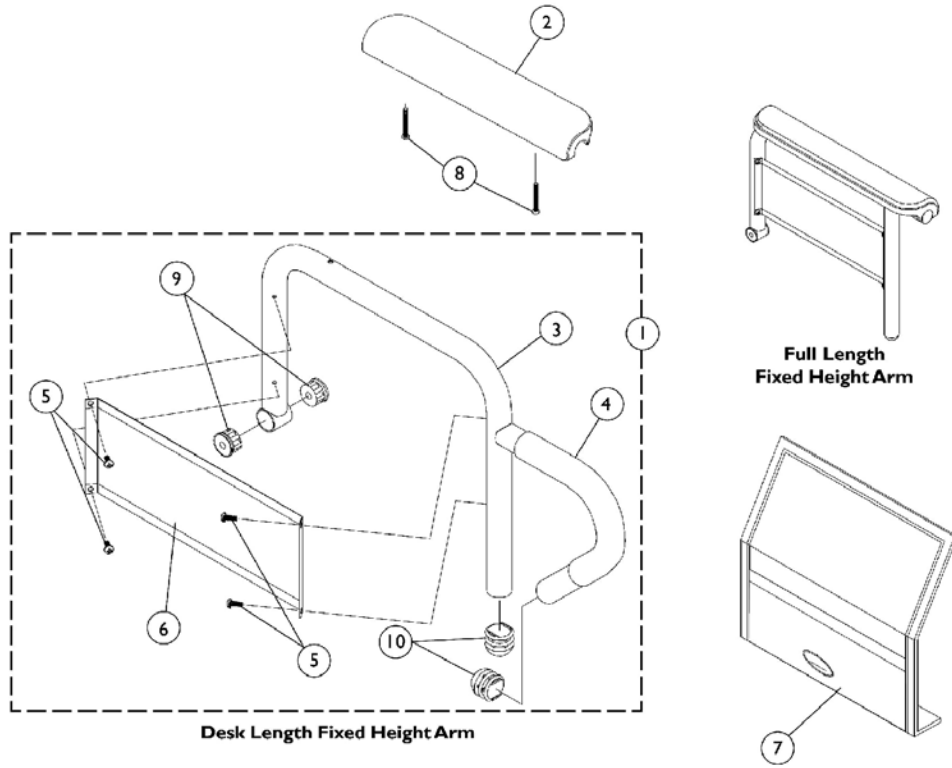


Curve Contoura Mounting Back Hardware (After 5/14/09)

Item Number	Note	Part Number	Description	Quantity Per	
				Package	Assembly
1	A	1157925	Kit, Metal Curved and Curve Contoura Back Mounting Hardware	1	1
2			Spacer, Back Pan, Black	1	4
3			Hook, Back Assembly Mounting	1	4
4			Screw, Socket Button Head (1/4-20 x 1")	1	4
5			Washer (1/4 x 23/32 x 1/16")	1	8
6			NLA - Screw, Phillips Oval Head (#10-16 x 7/8")	1	2
7			Locknut (1/4-20)	1	4

NOTE: A - Includes Items 2 thru 7.

Arms - Fixed Height



Arms - Fixed Height

Item Number	Note	Part Number	Description	Quantity Per	
				Package	Assembly
1		See Chart	#1 Fixed Height Arms w/o Pad	1	1
2	A	1117328	Kit, Arm Pad w/ Screws, Full Length, Urethane Waterfall, Black (13" L x 2-5/8" W)	1	1
2		1110818	Kit, Arm Pad w/ Screws, Full Length, Urethane Waterfall, Black (13" L x 2-5/8" W) (Pair)	2	1
2	A	1117327	Kit, Arm Pad w/ Screws, Desk Length, Urethane Waterfall, Black (9" L x 2-5/8" W)	1	1
2		1110817	Kit, Arm Pad w/ Screws, Desk Length, Urethane Waterfall, Black (9" L x 2-5/8" W) (Pair)	2	1
3		See Chart	#3 Arm Tube - Fixed Height	1	1
4		1032244	Grip, Foam Hand (9" L)	1	1
5		1025729	Screw, Phillips Pan Head Tap (#8-32 x 3/8")	1	4
6		1035472-NLA	NLA - Guard, Clothing, Desk Length	1	1
6		1044572-NLA	NLA - Guard, Clothing, Full Length (16 - 19" D)	1	1
6		1044005-NLA	NLA - Guard, Clothing, Full Length (20" and Deeper)	1	1
7		1035065	Cover, Clothing Guard w/ Pocket, FXDESK & ADJFULL/ADJDESK	1	1
7		1044588	Cover, Clothing Guard with Pocket Fixed Height Full Length (20" and Deeper)	1	1
8		1055949	Package, Screw, Phillips Pan Head (#10-32 x 1-3/8")	2	1
8		1094270-NLA	NLA - Package, Screw, Phillips Pan Head (#10-32 x 1-1/4")	2	1
9		1065936	Plug, Pivot	1	2
10		1067734	Plug Button, Black (5/8")	1	2

NOTE: A - As of 1/3/02 upholstered waterfall armpads were replaced with black urethane waterfall armpads. Order in pairs with screws for charis built before 1/3/02

#1 Fixed Height Arms w/o Pad

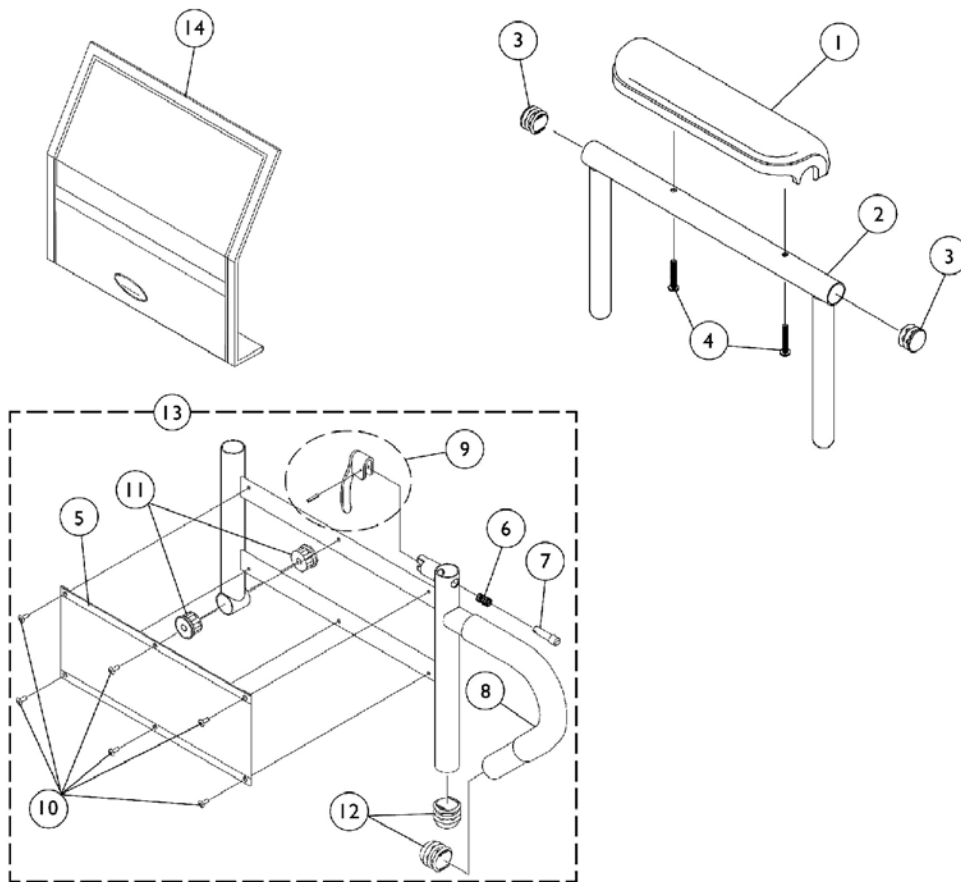
Chair Seat Depth	Arm Style	Part Number
16-19"	Desk -Right	1068566-NLA
16-19"	Desk -Left	1068567-NLA
16-19"	Full -Right	1068559-NLA
16-19"	Full -Left	1068560-NLA
20"-22"	Desk -Right	1068540-NLA
20"-22"	Desk -Left	1068541-NLA
20"-22"	Full -Right	1068528-NLA
20"-22"	Full -Left	1068529-NLA

Arms - Fixed Height

#3 Arm Tubes - Fixed Height

Chair Seat Depth	Arm Style	Part Number
16-19"	Desk -Right	1068564
16-19"	Desk -Left	1068565-NLA
16-19"	Full -Right	1068490
16-19"	Full -Left	1068491-NLA
20"-22"	Desk -Right	1068414-NLA
20"-22"	Desk -Left	1068415-NLA
20"-22"	Full -Right	1068473-NLA
20"-22"	Full -Left	1068474-NLA

Arms - Adjustable Height



Arms - Adjustable Height

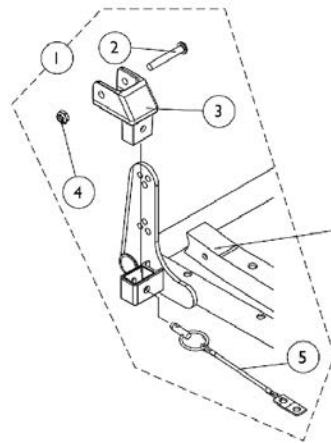
Item Number	Note	Part Number	Description	Quantity Per	
				Package	Assembly
1	A,B	1117328	Kit, Arm Pad w/ Screws, Full Length, Urethane Waterfall, Black (13" L x 2-5/8" W)	1	1
1		1110818	Kit, Arm Pad w/ Screws, Full Length, Urethane Waterfall, Black (13" L x 2-5/8" W) (Pair)	2	1
1	A,B	1117327	Kit, Arm Pad w/ Screws, Desk Length, Urethane Waterfall, Black (9" L x 2-5/8" W)	1	1
1		1110817	Kit, Arm Pad w/ Screws, Desk Length, Urethane Waterfall, Black (9" L x 2-5/8" W) (Pair)	2	1
2		1071253	Arm Tube Assembly w/ Plug Buttons, Full Length, Black - Right/Left	1	1
2		1070859	Arm Tube Assembly w/ Plug Buttons, Desk Length, Black - Right/Left	1	1
3		1027095	Plug Button, Black (7/8")	1	2
4		1055949	Package, Screw, Phillips Pan Head (#10-32 x 1-3/8")	2	1
4		1094270-NLA	NLA - Package, Screw, Phillips Pan Head (#10-32 x 1-1/4")	2	1
5		1064130-NLA	NLA - Guard, Clothing	1	1
6		47471X074	Spring, Arm Lock	1	1
7		1028594	Pin, Arm Lock, Black	1	1
8		1032244	Grip, Foam Hand (9" L)	1	1
9		1090768	Kit, Lock Handle w/Rivets (Pair)	2	1
10		1028645	Rivet	1	6
11		1065936	Plug, Pivot	1	2
12		1067734	Plug Button, Black (5/8")	1	2
13		1068416	Arm Base Assembly, Black - Right (16-19" D)	1	1
13		1068417	Arm Base Assembly, Black - Left (16-19" D)	1	1
13		1068418	Arm Base Assembly, Black - Right (20" and Deeper)	1	1
13		1068419	Arm Base Assembly, Black - Left (20" and Deeper)	1	1
14		1035065	Cover, Clothing Guard w/ Pocket, FXDESK & ADJFULL/ADJDESK	1	1

NOTE: A - As of 1/3/02 upholstered waterfall armpads were replaced with black urethane waterfall armpads. Order in pairs with screws for chairs manufactured before 1/3/02.

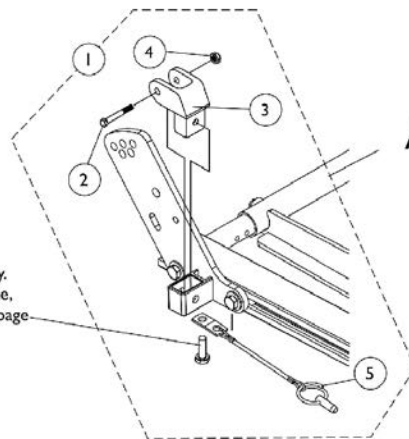
B - After 7/9/07 Invacare recommends ordering armpads in pairs to assure uniform appearance on chair

Arm Mounting Swingaway Hardware

ASBA and ADJASBA Seats



ASBA Seat Frame
Before 10/04/05 shown
for reference only.



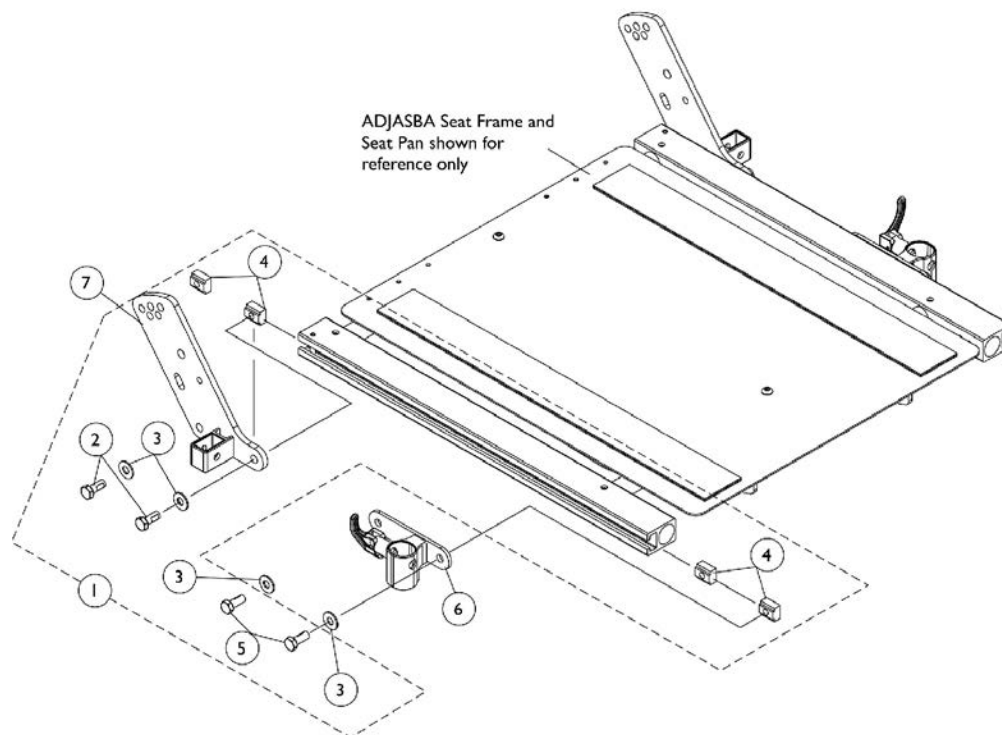
ADJASBA Seat Frame
After 10/03/05 shown for
reference only.

Hex Cap Screw
shown for reference only.
See ADJASBA Seat Frame,
Seat Pan and Hardware page

Item Number	Note	Part Number	Description	Quantity Per	
				Package	Assembly
1	A	1068488	Kit, Swingaway Armrest Mounting Hardware	1	1
2		1019590	Screw, Socket Button Head (1/4-20 x 1-5/8")	1	1
3		1068025	Clevis, Pivot	1	1
4		1025195	NLA - Locknut (1/4-20)	1	1
5		1068039	Pin, Pull	1	1

NOTE: A - Includes items 2-5

Front/Rear Arm Socket Assembly and Hardware ADJASBA (After 10/03/05)

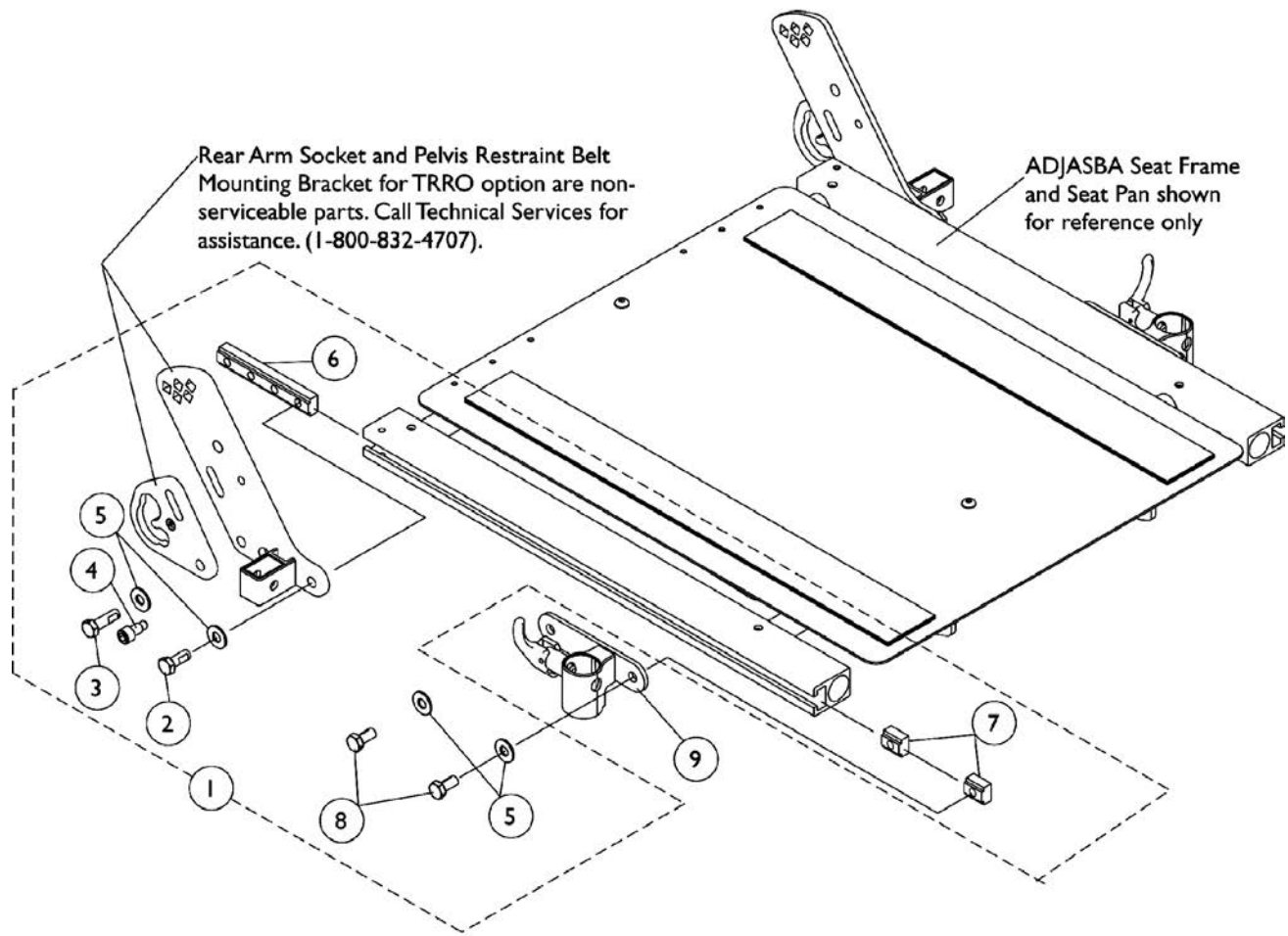


Item Number	Note	Part Number	Description	Quantity Per	
				Package	Assembly
1	A	1125734	Kit, Front/Rear Arm Socket Assembly Mounting Hardware	1	1
2			Screw, Hex Head w/ Patch (5/16-18 x 3/4")	1	2
3			Washer, Steel (5/16 x 3/4 x 1/16")	1	4
4			T-Nut (5/16-18)	1	4
5			Screw, Hex Head w/ Patch (5/16-18 x 5/8")	1	2
6		1122619	Socket, Arm, Front - Right	1	1
6		1122620	Socket, Arm, Front - Left	1	1
7		1125478	Bracket, Arm Socket/Cane, Rear - Right	1	1
7		1125479	Bracket, Arm Socket/Cane, Rear - Left	1	1

NOTE: A - Includes items 2-5

Front/Rear Arm Socket Assembly and Hardware

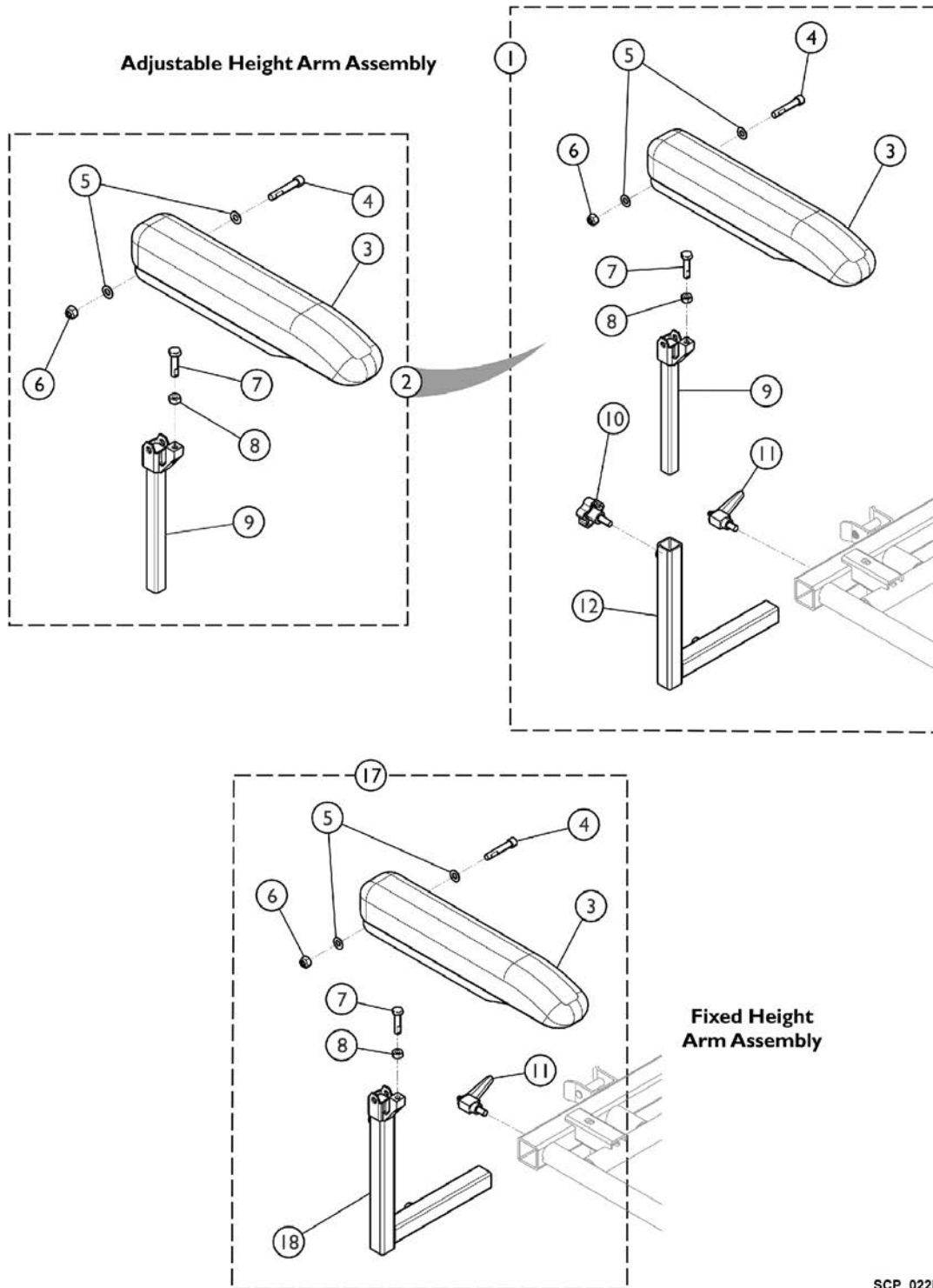
ADJASBA Seats with TRRO Option



Front/Rear Arm Socket Assembly and Hardware ADJASBA Seats with TRRO Option

Item Number	Note	Part Number	Description	Quantity Per	
				Package	Assembly
1		1136025-NLA	NLA - Kit, Front/Rear Arm Socket Assembly Mounting Hardware For TRRO Option	1	1
2			Screw, Hex Head w/ Patch (5/16-18 x 3/4")	1	1
3			NLA - Screw, Hex Head w/ Patch (5/16-18 x 1")	1	1
4			Screw, Socket Head (5/16-18 x 3/4")	1	1
5			Washer, Steel (5/16 x 3/4 x 1/16")	1	4
6			T-Nut (5/16-18)	1	1
7			T-Nut (5/16-18)	1	2
8			Screw, Hex Head w/ Patch (5/16-18 x 5/8")	1	2
9		1122619	Socket, Arm, Front - Right	1	1
9		1122620	Socket, Arm, Front - Left	1	1

Arms - Van Seat



SCP_022B

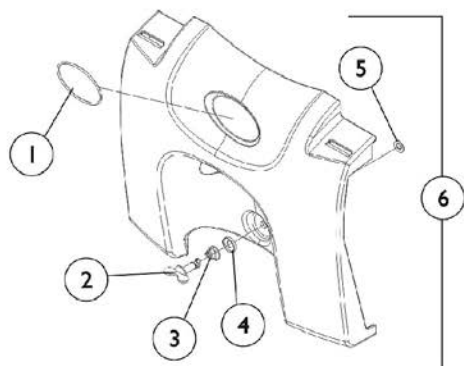
Arms - Van Seat

Item Number	Note	Part Number	Description	Quantity Per																					
				Package	Assembly																				
1	A	1142476	Arm Assembly, Adjustable Height Full Length, Black - Right	1	1																				
1	A	1142477	Arm Assembly, Adjustable Height Full Length, Black - Left	1	1																				
1	A	1142494	Arm Assembly, Adjustable Height Desk Length, Black - Right	1	1																				
1	A	1142495	Arm Assembly, Adjustable Height Desk Length, Black - Left	1	1																				
2	B	1142487	Upper Arm Assembly, Desk Length (Right/Left)	1	1																				
3			Arm Pad, Desk Length, Black Urethane (12-1/4" L x 2-5/8" W)	1	1																				
4			Screw, Socket Head w/ Patch (5/16-18 x 1-3/4")	1	1																				
5			Washer, Flat (5/16 x 5/8 x 1/16")	1	2																				
6			Locknut (5/16-18)	1	1																				
7			Screw, Hex Head w/ Patch (5/16-18 x 1-1/4")	1	1																				
8			NLA - Nut, Hex (5/16-18)	1	1																				
9			Tube, Arm, Upper Adjustable Height, Black	1	1																				
2			B	1140426	Upper Arm Assembly, Full Length (Right/Left)	1	1																		
3					Arm Pad, Full Length, Urethane, Black (15" L x 2-5/8" W)	1	1																		
4					Screw, Socket Head w/ Patch (5/16-18 x 1-3/4")	1	1																		
5					Washer, Flat (5/16 x 5/8 x 1/16")	1	2																		
6					Locknut (5/16-18)	1	1																		
7					Screw, Hex Head w/ Patch (5/16-18 x 1-1/4")	1	1																		
8	NLA - Nut, Hex (5/16-18)	1			1																				
9	Tube, Arm, Upper Adjustable Height, Black	1			1																				
3	C	1139923			Arm Pad, Desk Length, Black Urethane (12-1/4" L x 2-5/8" W)	1	1																		
3					C	1139924	Arm Pad, Full Length, Urethane, Black (15" L x 2-5/8" W)	1	1																
10							C	1114910	Knob, Adjustment, Black (5/16-18 x 3/4")	1	1														
11									C	1114914	Handle, Release, Black (5/16-18 x 1/2")	1	1												
12											C	1113646	Tube, Arm, Lower Adjustable Width, Black - Right	1	1										
12													C	1113647	Tube, Arm, Lower Adjustable Width, Black - Left	1	1								
17			C	1142490											Arm Assembly, Fixed Height Desk Length, Black - Right	1	1								
17															C	1142491	Arm Assembly, Fixed Height Desk Length, Black - Left	1	1						
17																	C	1142485	Arm Assembly, Fixed Height Full Length, Black - Right	1	1				
17																			C	1142484	Arm Assembly, Fixed Height Full Length, Black - Left	1	1		
18																					C	1114359-NLA	NLA - Tube, Arm, Fixed Height, Black - Right	1	1
18																							C	1114797-NLA	NLA - Tube, Arm, Fixed Height, Black - Left

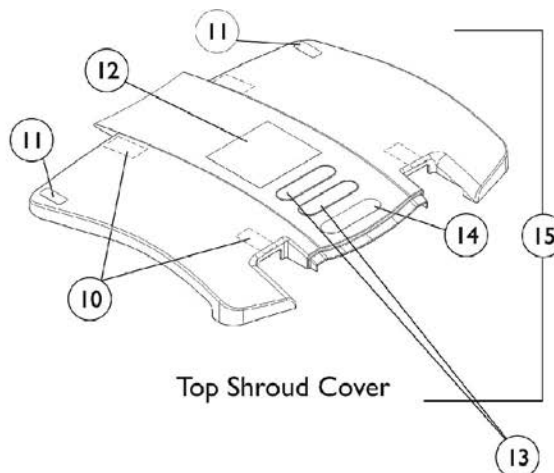
Arms - Van Seat

NOTE: A - Includes items 2 - 12.
B - Includes items 3 - 9.
C - Includes items 3 - 8, and items 11 and 18.

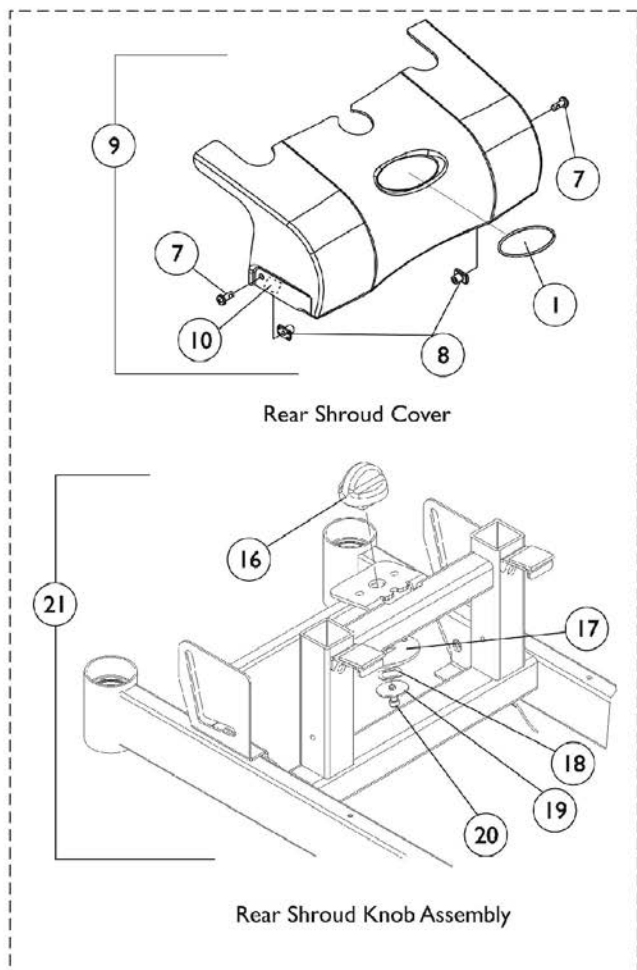
Front, Top, and Rear Shrouds w/ Attaching Hardware



Front Shroud

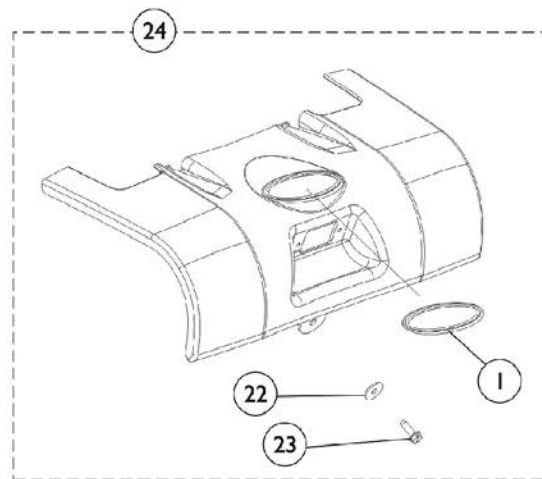


Top Shroud Cover



Rear Shroud Cover

Rear Shroud Knob Assembly



Rear Shroud and Hardware **After 12/18/03**

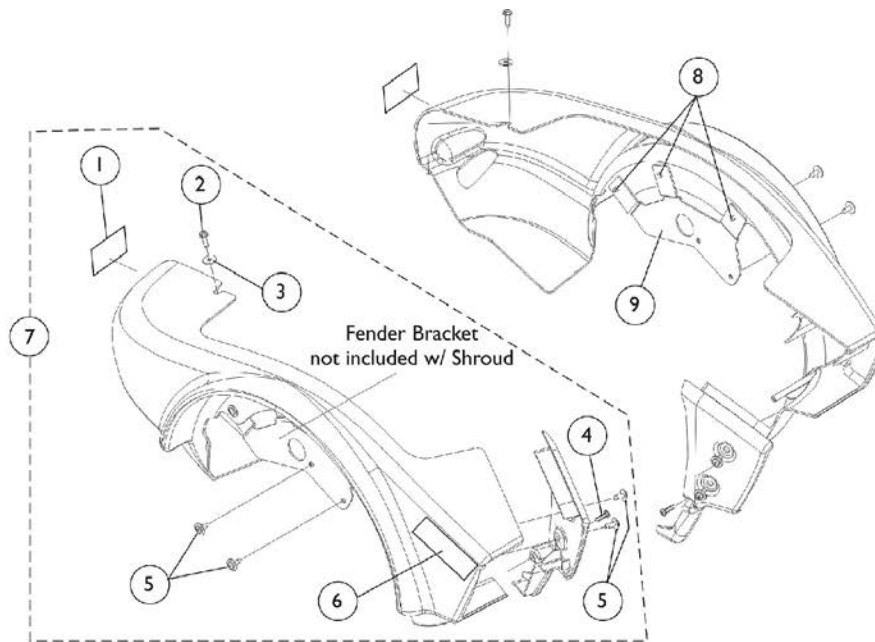
Rear Shroud and Hardware **Before 12/19/03**

Front, Top, and Rear Shrouds w/ Attaching Hardware

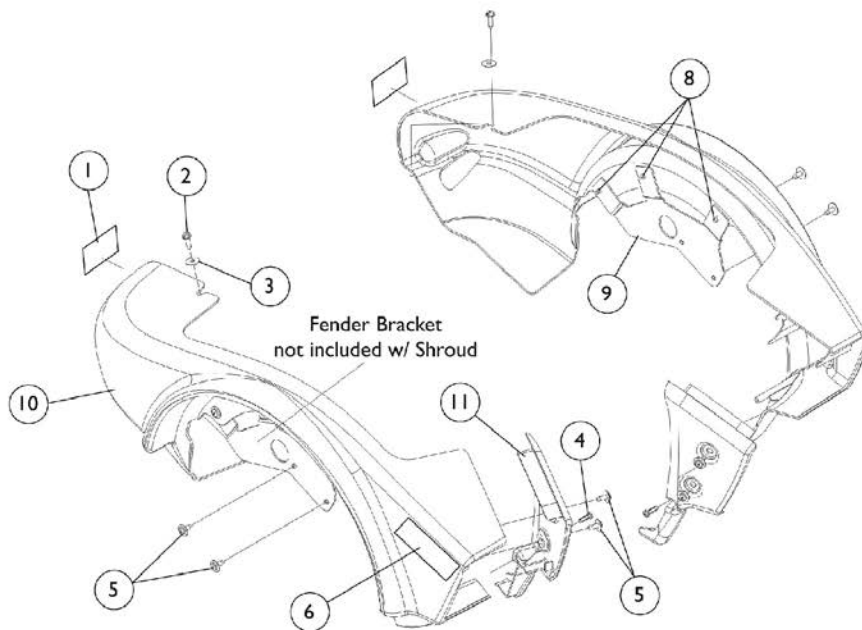
Item Number	Note	Part Number	Description	Quantity Per	
				Package	Assembly
1		1095489	Decal, Invacare 3-D Logo (2-1/2" L)	1	1
2		1070574-NLA	NLA - Stud, Wing Head (1" Long)	1	1
3		1093312-NLA	NLA - Spring, Torsion Ejector	1	1
4		1070581-NLA	NLA - Washer, Nylon Cupped (9/32 x 19/32 x 3/32")	1	1
5		1070580-NLA	NLA - Washer, Nylon Retainer (1/4 x 1/2 x 1/32")	1	1
6	A	1112571	Shroud with Hardware - Front	1	1
7		1134086-NLA	NLA - Screw, Socket Button Head w/ Patch (#10-32 x 1/2")	1	2
8		1112371-NLA	NLA - Nut, Weld (10-32)	1	2
9	B,G	1114487-NLA	NLA - Shroud, Rear w/ Hardware (Candy Red Pearl)	1	1
9	B,G,J	See Note	See Footnote	1	1
9	B,G	1114489-NLA	NLA - Shroud, Rear w/ Hardware (Dark Blue Pearl)	1	1
10	E	1070509-NLA	NLA - Fastener, Loop with Adhesive Back (1" W x 2" L)	1	4
11		1079203	Decal, Warning Pinch Point	1	2
12	G	1114804-NLA	NLA - Label, Warning Wiring Dual, 22NF Battery	1	1
12	H,K	1118397-NLA	NLA - Label, Warning Wiring Dual, 22NF Battery	1	1
13	I	1119281-NLA	NLA - Plate, Name, Patent Numbers	1	1
14		1035900	Decal, Transportation	1	1
15	C,G,I	1116423-NLA	NLA - Shroud, Top w/ Decals	1	1
15	C,H,I	1122816	Shroud, Top w/ Decals	1	1
16		1109033-NLA	NLA - Knob, Shroud, Black	1	1
17		1109034-NLA	NLA - Plate, Latch Shroud	1	1
18		1108475-NLA	NLA - Washer, Wave (17/32 x 3/4 x 1/64")	1	1
19		1109031-NLA	NLA - Washer, Steel (13/64 x 1 x 3/64")	1	1
20		1113438-NLA	NLA - 3Screw, Socket Head (#10-32 x 1/2")	1	1
21	D	1112284-NLA	NLA - Hardware, Shroud Mounting - Rear	1	1
22		1070587	Washer, Flat (3/16 x 5/8 x 1/16")	1	1
23		1117240	Screw, Thumb (#10-32 x 1/2")	1	1
24	F,H	1123225	Kit, Shroud w/ Hardware, Rear, Candy Red Pearl	1	1
24	F,H	1123226	Kit, Shroud w/ Hardware, Rear, Magic Black	1	1
24	F,H	1123227	Kit, Shroud w/ Hardware, Rear, Dark Blue Pearl	1	1

NOTE: A - Includes Shroud plus items 1-5.
 B - Includes Shroud plus items 1, 7, 8 and 10.
 C - Includes Shroud plus items 10-12, & 14.
 D - Includes items 16-20.
 E - Rear shroud uses 1 ea. of item 10 cut in half to fit on the inside right and left side of the cover
 F - Includes Shroud plus items 1,22 and 23.
 G - Chairs built Before 12/19/03
 H - Chairs built After 12/18/03
 I - As of 3/10/04 the Patent Name Plates are no longer included in the Top Shroud Assembly. Two name plates have been replaced by one.
 J - No longer available as a service part.
 K - Part #1118397 is no longer available as a service part individually. Order item 15 as a replacement.

Side Shrouds and Attaching Hardware



Chairs built **Before 11/24/03**



Chairs built **After 11/23/03**

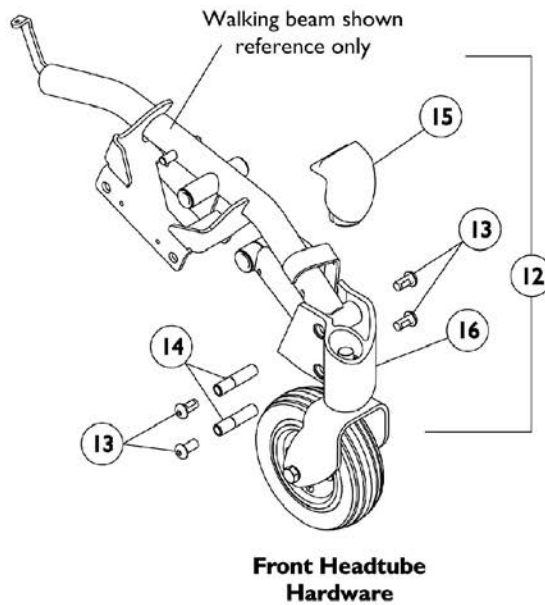
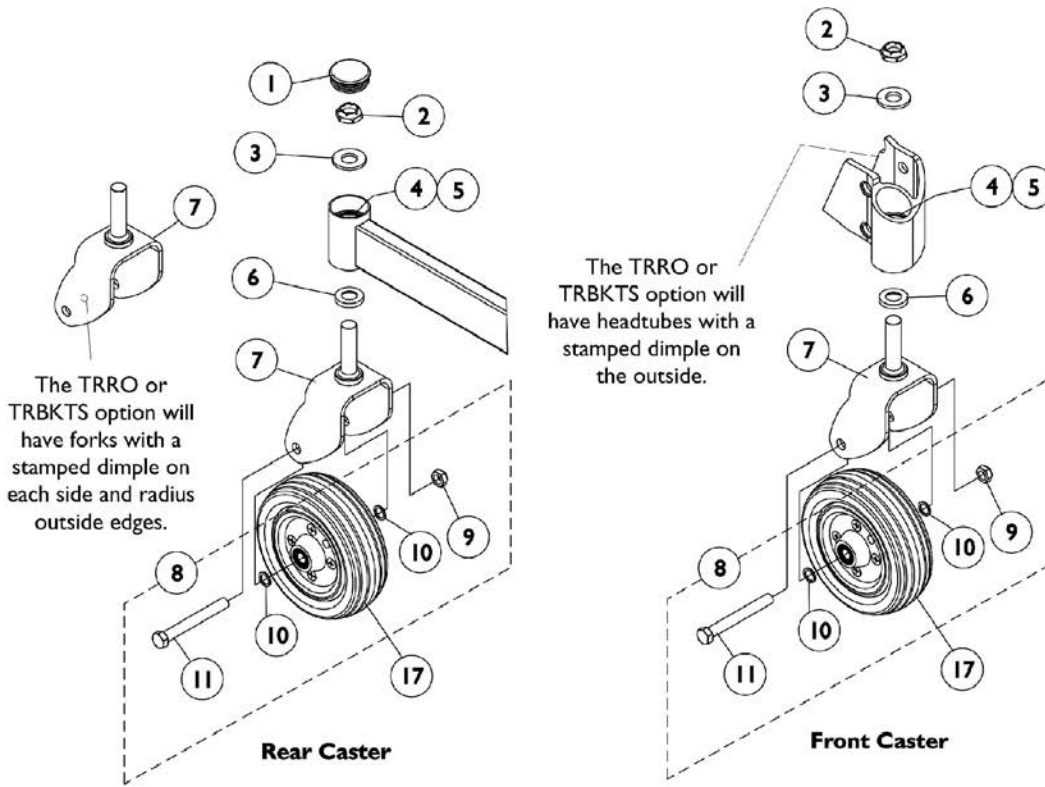
Side Shrouds and Attaching Hardware

Item Number	Note	Part Number	Description	Quantity Per	
				Package	Assembly
1		1104797	Decal, Drive/Push	1	2
2		1025451	Screw, Slotted Hex Washer Head (#10-32 x 5/8")	1	2
3		1070587	Washer, Flat (3/16 x 5/8 x 1/16")	1	2
4		1114276	Screw, Phillips Pan Head (#8-16 x 5/8")	1	2
5		1114308	Screw, Phillips Pan Head Tap (#10-32 x 1/2")	1	8
	C	1123224	Kit, Side Shroud Hardware	2	1
6		1112377-NLA	NLA - Decal, Model - Pronto M91	1	2
7	A,B	1123295	Kit, Shroud, Side, Candy Red Pearl - Right	1	1
7	A,B	1123296	Kit, Shroud, Side, Candy Red Pearl - Left	1	1
7	A,B	1123297	Kit, Shroud, Side, Magic Black - Right	1	1
7	A,B	1123298	Kit, Shroud, Side, Magic Black - Left	1	1
7	A,B	1123299	Kit, Shroud, Side, Dark Blue Pearl - Right	1	1
7	A,B	1123300	Kit, Shroud, Side, Dark Blue Pearl - Left	1	1
8		1114308	Screw, Phillips Pan Head Tap (#10-32 x 1/2")	1	3
9		1114304-NLA	NLA - Bracket, Fender Mounting, Black - Right	1	1
9		1114305-NLA	NLA - Bracket, Fender Mounting, Black - Left	1	1
10	D,E	1123093	Shroud, Side w/ Decals, Candy Red Pearl - Right	1	1
10	D,E	1123094	Shroud, Side w/ Decals, Candy Red Pearl - Left	1	1
10	D	1123095	Shroud, Side w/ Decals, Magic Black - Right	1	1
10	D	1123096	Shroud, Side w/ Decals, Magic Black - Left	1	1
10	D	1123097	Shroud, Side w/ Decals, Dark Blue Pearl - Right	1	1
10	D	1123098	Shroud, Side w/ Decals, Dark Blue Pearl - Left	1	1
11		1110696	Shroud, Front Inner - Right	1	1
11		1110697	Shroud, Front Inner - Left	1	1

NOTE: A - Due to design change, for chairs built Before 11/24/03, Side Shrouds and Front Inner Shrouds must be replaced together. Kits provide all necessary parts.
B - Includes Side Shroud, Front Inner Shroud, and items 1-6.
C - Not Shown. Includes items 2-5.
D - Includes Decals, items 1 & 6.
E - Due to a supplier change it is recommended to order the right and left Side Shrouds to match in color shade for wheelchairs manufactured before 1/3/12.

Casters, Forks and Hardware

Front & Rear



Casters, Forks and Hardware Front & Rear

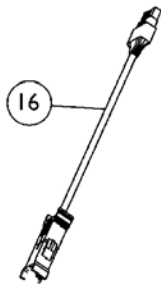
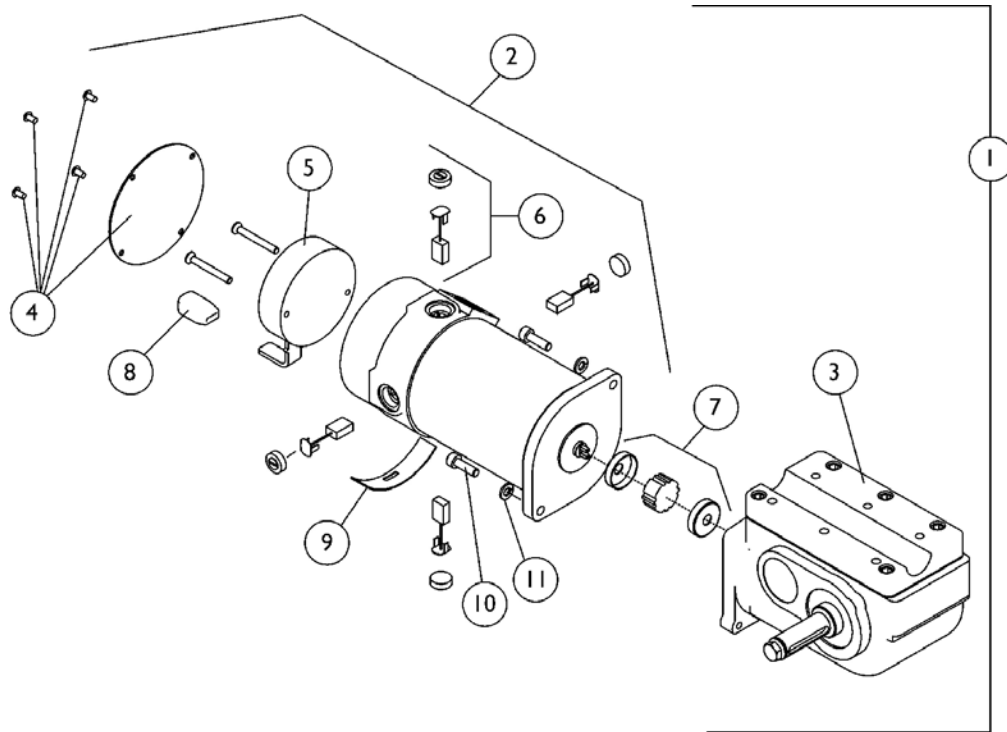
Item Number	Note	Part Number	Description	Quantity Per	
				Package	Assembly
1		1110709	Cap, Head Tube, Black	1	1
2		1028550	Locknut (5/8-18)	1	1
3		1041444	Washer, Nylon (5/8 x 1-5/16 x 1/8")	1	1
4		40117X006	Bearing (5/8")	1	2
5		1110717	Ring, Tolerance	1	2
6		1106068	Spacer, Stem (5/8 x 1-1/8 x 3/16")	1	1
7		1110683	Fork and Stem, 2-Sided - Right/Left	1	1
7	H	1141020	Fork and Stem, 2-Sided, TRRO/TRBKTS - Right/Left	1	1
8	A	1110708	Kit, Caster Mounting Hardware	1	1
9		1025734	Locknut (7/16-20)	1	1
10		1025724	Washer, Steel (15/32 x 5/8 x 3/64")	1	2
11		1025726	Screw, Hex Head (7/16-20 x 3-1/4")	1	1
12	B,F	1110688	Kit, Caster Headtube with Hardware - Right	1	1
13			Screw, Socket Button Head Cap (3/8-24 x 3/4")	1	4
14			Bushing, Pivot Head Tube	1	2
15			Cap, Head Tube - Right	1	1
16			Headtube Assembly with Bearings, Black - Right	1	1
12	B,F	1110689	Kit, Caster Headtube with Hardware - Left	1	1
13			Screw, Socket Button Head Cap (3/8-24 x 3/4")	1	4
14			Bushing, Pivot Head Tube	1	2
15			Cap, Head Tube - Left	1	1
16			Headtube Assembly with Bearings, Black - Left	1	1
12	B,G,I	1140293	Kit, Caster Headtube with Hardware - Right (TRRO/TRBKTS)	1	1
13			Screw, Socket Button Head Cap (3/8-24 x 3/4")	1	4
14			Bushing, Pivot Head Tube	1	2
15			Cap, Head Tube - Right	1	1
16			Headtube Assembly with Bearings, TRRO/TRBKTS, Black - Right	1	1
			Spacer, Stem (5/8 x 1-1/8 x 3/16")	1	1
12	B,G,I	1140294	Kit, Caster Headtube with Hardware - Left (TRRO/TRBKTS)	1	1
13			Screw, Socket Button Head Cap (3/8-24 x 3/4")	1	4
14			Bushing, Pivot Head Tube	1	2
15			Cap, Head Tube - Left	1	1
16			Headtube Assembly with Bearings, TRRO/TRBKTS, Black - Left	1	1
			Spacer, Stem (5/8 x 1-1/8 x 3/16")	1	1
13		1109222	Screw, Socket Button Head Cap (3/8-24 x 3/4")	1	4
14		1112633	Bushing, Pivot Head Tube	1	2
15		1113012	Cap, Head Tube - Right	1	1
15		1113013	Cap, Head Tube - Left	1	1
16	C,F	1110694	Headtube Assembly with Bearings, Black - Right	1	1

Casters, Forks and Hardware Front & Rear

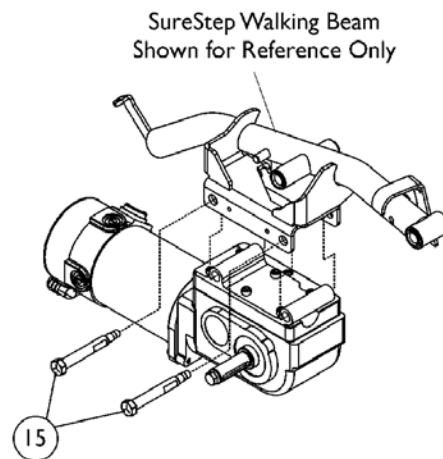
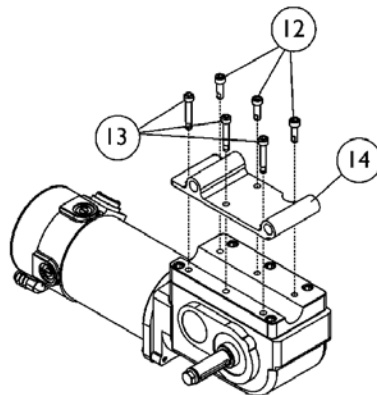
Item Number	Note	Part Number	Description	Quantity Per	
				Package	Assembly
16	C,F	1110695	Headtube Assembly with Bearings, Black - Left	1	1
16	C,G	1140289	Headtube Assembly with Bearings, TRRO/TRBKTS, Black - Right	1	1
16	C,G	1140290	Headtube Assembly with Bearings, TRRO/TRBKTS, Black - Left	1	1
17	D	1072014-NLA	NLA - Wheel Assembly, Semi-Pneumatic, Urethane (6" x 2")	1	1
17	E	1115179	Wheel Assembly, Semi-Pneumatic, Urethane, Deep Profile, Grey Tire/Black Hub (6" x 2")	1	1
17	E	1122066	Wheel Assembly, Semi-Pneumatic, Urethane, Deep Profile, Grey Tire/Black Hub (6" x 2") (Pair)	2	1
<p>NOTE: A - Includes Items 9-11 B - Includes Items 13-16 C - Includes Items 4 and 5 D - Chairs made before 7/14/03. Due to product improvement, it is recommended to order (pair) number 1122066 dated after 7/13/03 so each side matches. The deep profile caster has 2 tread grooves w/ round corners instead of 4 tread grooves w/ square corners E - For chairs made after 7/13/03. The pair part number is also used for converting casters on chairs made before 7/14/03 F - Non TRRO chairs G - Chairs with TRRO/TRBKTS option. These headtubes will have a dimple stamped on the outside for identification purposes. H - Chairs with TRRO/TRBKTS option. These forks will have a dimple stamped on each side for identification purposes. I - Spacer is not shown</p>					

Motor and Gearbox Assembly

300 Lb. Limit



Motor Extension Cable
Required for Chairs
Upgraded to MK5
Electronics



Motor and Gearbox Assembly 300 Lb. Limit

Item Number	Note	Part Number	Description	Quantity Per	
				Package	Assembly
1	A,E	1110650-NLA	NLA - Motor/Gearbox Assembly - Right	1	1
1	A,E	1110651	Motor/Gearbox Assembly - Left	1	1
1	A,F,I	1121489	Motor/Gearbox Assembly - Right	1	1
1	A,F,I	1121489E-NLA	NLA - WARR RPLMT - Motor/Gearbox Assembly - Right	1	1
1	A,F,I	1121490	Motor/Gearbox Assembly - Left	1	1
1	A,F,I	1121490E-NLA	NLA - WARR RPLMT - Motor/Gearbox Assembly - Left	1	1
2	B,E	1114494-NLA	NLA - Motor Assembly - Right	1	1
2	B,E	1114495-NLA	NLA - Motor Assembly - Left	1	1
2	B,F	1121483	Motor Assembly - Right	1	1
2	B,F	1121484	Motor Assembly - Left	1	1
3	G	1086222-NLA	NLA - Gearbox, RWD=L;MWD=R	1	1
3	G	1086221	Gearbox, RWD=R;MWD=L	1	1
4		1104402-NLA	NLA - Cover, Brake w/ Screws, Black	1	1
5	K	1116429-NLA	NLA - Kit, Brake Repair - Right	1	1
5	K	1116428-NLA	NLA - Kit, Brake Repair - Left	1	1
6	J	1070296-NLA	NLA - Kit, Brushes with Caps, 4-Pole	1	1
			Brush, Motor, 4 Pole	1	4
			Cap, Brush	1	4
			Instruction Sheet	1	1
7		50000X007-NLA	NLA - Coupling w/ Cup (1-5/16" Diameter)	1	1
8		1114493-NLA	NLA - Cap, End, Brake, Black	1	1
9		1082985-NLA	NLA - Plate, Slotted	1	1
10	G	1108978	Screw, Socket Head (M6 x 1 x 20mm)	1	2
10	G	1043594	Screw, Socket Head (1/4-20 x 1-1/8")	1	2
11		10502X001-NLA	NLA - Lockwasher (1/4")	1	2
12		1071505	Screw, Socket w/ Patch (M6 x 1 x 20mm)	1	3
13		1071504-NLA	NLA - Screw, Socket w/ Patch (M6 x 1 x 35mm)	1	3
14		1113436-NLA	NLA - Plate, Motor/Gearbox Mounting - Right	1	1
14		1113437-NLA	NLA - Plate, Motor/Gearbox Mounting - Left	1	1
15		1113600	Pin, Motor Release	1	2
16	D,H	1143143-NLA	NLA - Harness, Motor Cable Extension	1	1
	C	1090357-NLA	NLA - Wrap, Slit Wire Harness (1/2" O.D., 36" Long Cut To Length)	1	1

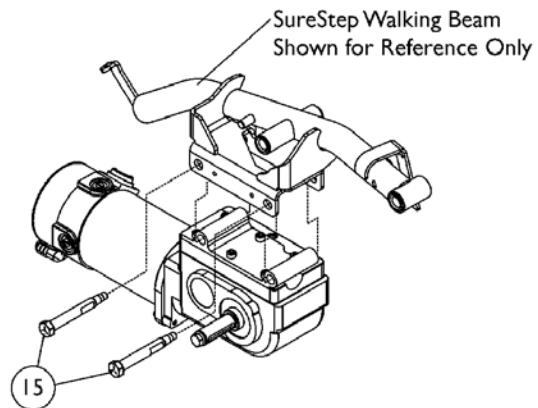
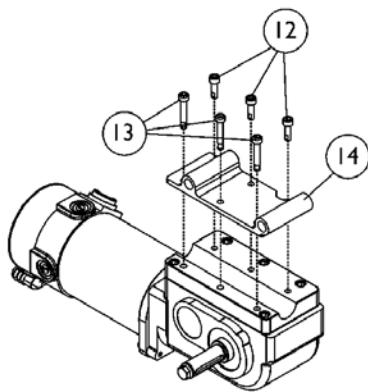
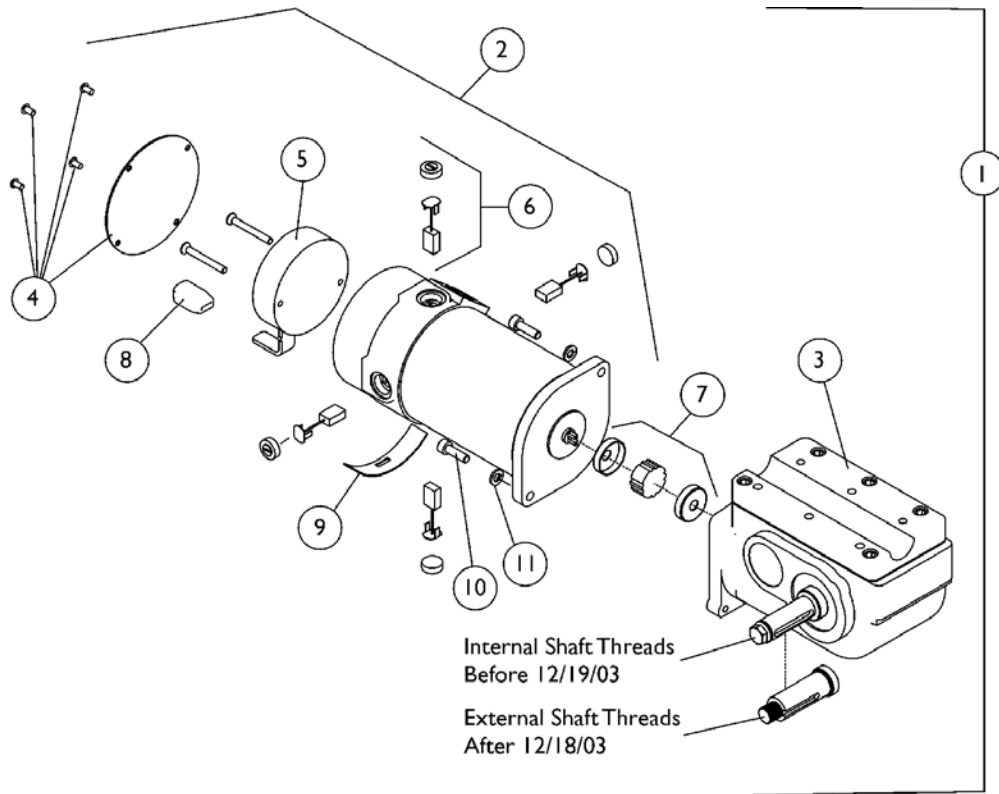
Motor and Gearbox Assembly

300 Lb. Limit

NOTE: A - Includes items 3-11.
B - Includes items 4-6 and 8-11.
C - Not Shown, covers the motor lead wire between the connector and motor
D - Required for chairs upgraded to MK5 electronics.
E - Chairs built Before 9/3/04
F - Chairs built After 9/2/04
G - When a new gearbox or mounting screws are ordered, (2 ea.) metric and (2 ea.) non-metric screws (item 10) must be ordered. Invacare Corp. utilizes alternate suppliers for this part number.
H - As of 5/15/06, harness part no. 1143143 replaced part nos. 1116389 & 1116390. The new harness is not Right/Left dependent and can be used for either side.
I - As of May 2008, the Metal Motor End Cap will be replaced with a Composite Motor End Cap. The change does not affect form, fit, function or aesthetics.
J - Kit includes (4) Brushes, (4) Brush Caps and Instruction Sheet.
K - Use existing screws when installing the Brake Repair Kit. The Motor Brake Mounting Screws are not saleable.

Motor and Gearbox Assembly

400 Lb. Limit



Motor and Gearbox Assembly 400 Lb. Limit

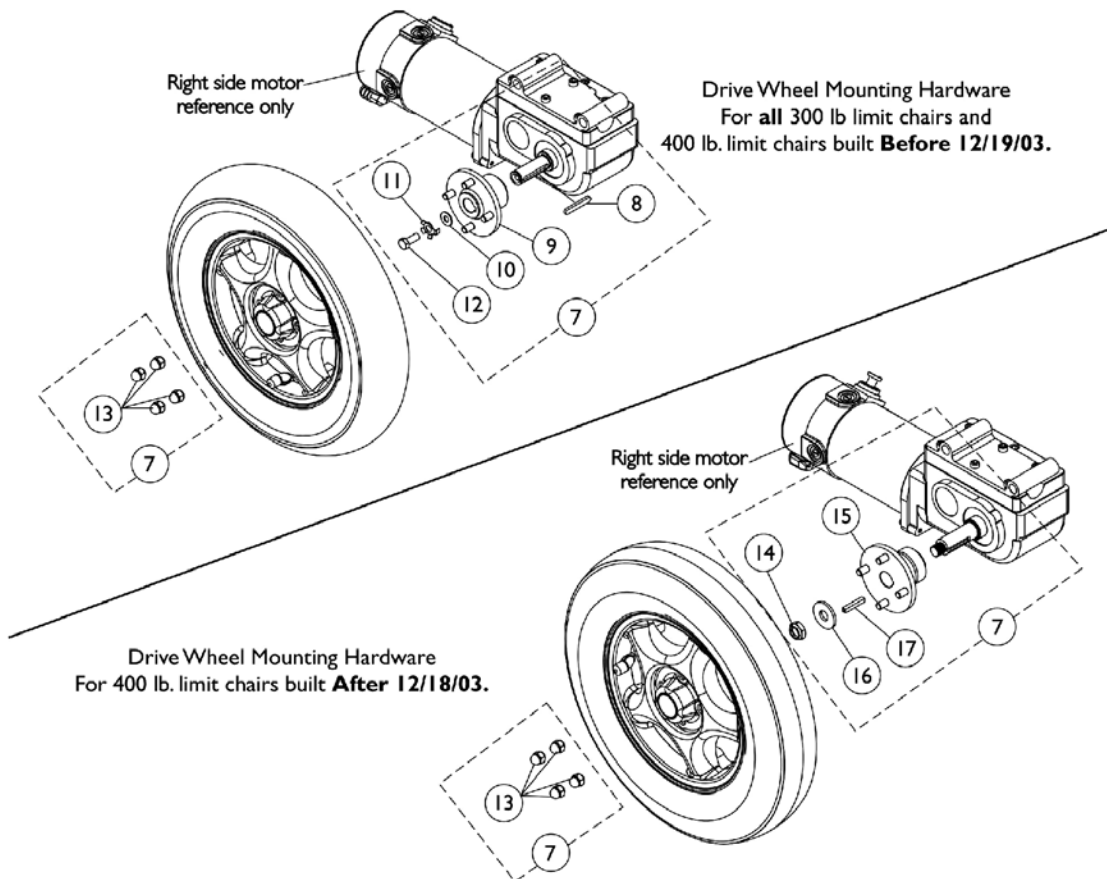
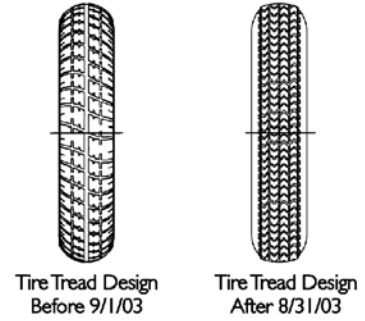
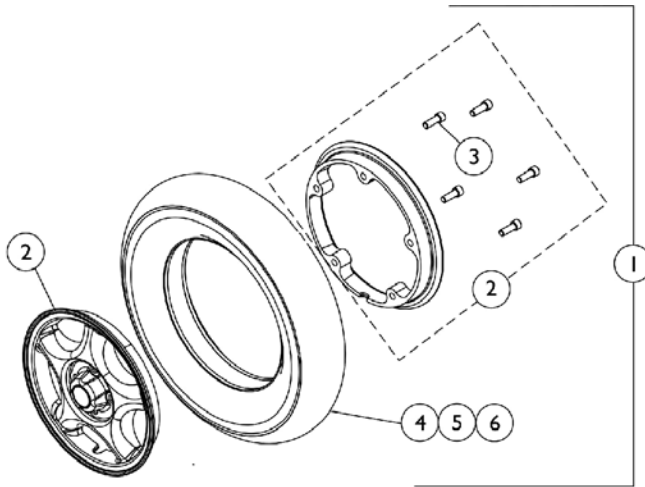
Item Number	Note	Part Number	Description	Quantity Per	
				Package	Assembly
1	A,C	1110652-NLA	NLA - Motor/Gearbox Assembly - Right	1	1
1	A,C	1110653-NLA	NLA - Motor/Gearbox Assembly - Left	1	1
1	A,D,G	1121491	Motor/Gearbox Assembly with Brake Cap - Right	1	1
1	A,D,G	1121491E-NLA	NLA - WARR RPLMT - Motor/Gearbox Assembly with Brake Cap - Right	1	1
1	A,D,G	1121492	Motor/Gearbox Assembly with Brake Cap - Left	1	1
1	A,D,G	1121492E-NLA	NLA - WARR RPLMT - Motor/Gearbox Assembly with Brake Cap - Left	1	1
2	B,C	1114494-NLA	NLA - Motor Assembly - Right	1	1
2	B,C	1114495-NLA	NLA - Motor Assembly - Left	1	1
2	B,D	1121483	Motor Assembly - Right	1	1
2	B,D	1121484	Motor Assembly - Left	1	1
3	C,F	1086228-NLA	NLA - Gearbox - Right	1	1
3	C,F	1086227-NLA	NLA - Gearbox - Left	1	1
3	D,F	1106172-NLA	NLA - Gearbox - Right	1	1
3	D,F	1106173-NLA	NLA - Gearbox - Left	1	1
4		1104402-NLA	NLA - Cover, Brake w/ Screws, Black	1	1
5	I	1116429-NLA	NLA - Kit, Brake Repair - Right	1	1
5	I	1116428-NLA	NLA - Kit, Brake Repair - Left	1	1
6	H	1070296-NLA	NLA - Kit, Brushes with Caps, 4-Pole	1	1
			Brush, Motor, 4 Pole	1	4
			Cap, Brush	1	4
			Instruction Sheet	1	1
7		50000X007-NLA	NLA - Coupling w/ Cup (1-5/16" Diameter)	1	1
8		1114493-NLA	NLA - Cap, End, Brake, Black	1	1
9		1082985-NLA	NLA - Plate, Slotted	1	1
10	F	1108978	Screw, Socket Head (M6 x 1 x 20mm)	1	2
10	F	1043594	Screw, Socket Head (1/4-20 x 1-1/8")	1	2
11		10502X001-NLA	NLA - Lockwasher (1/4")	1	2
12		1071505	Screw, Socket w/ Patch (M6 x 1 x 20mm)	1	3
13		1071504-NLA	NLA - Screw, Socket w/ Patch (M6 x 1 x 35mm)	1	3
14		1113436-NLA	NLA - Plate, Motor/Gearbox Mounting - Right	1	1
14		1113437-NLA	NLA - Plate, Motor/Gearbox Mounting - Left	1	1
15		1113600	Pin, Motor Release	1	2
	E	1090357-NLA	NLA - Wrap, Slit Wire Harness (1/2" O.D., 36" Long Cut To Length)	1	1

Motor and Gearbox Assembly

400 Lb. Limit

NOTE: A - Includes items 3-11.
B - Includes items 4-6 and 8-11.
C - Chairs built Before 12/19/03
D - Chairs built After 12/18/03
E - Not Shown, covers the motor lead wire between the connector and motor
F - When a new gearbox or mounting screws are ordered, (2 ea.) metric and (2 ea.) non-metric screws (item 10) must be ordered. Invacare Corp. utilizes alternate suppliers for this part number.
G - As of May 2008, the Metal Motor End Cap will be replaced with a Composite Motor End Cap. The change does not affect form, fit, function or aesthetics.
H - Kit includes (4) Brushes, (4) Brush Caps and Instruction Sheet.
I - Use existing screws when installing the Brake Repair Kit. The Motor Brake Mounting Screws are not saleable.

Drive Wheel Assembly



Drive Wheel Assembly

Item Number	Note	Part Number	Description	Quantity Per	
				Package	Assembly
1	C	1104438	Drive Wheel Assembly, Pneumatic, Grey Tire/Silver Rim (14 x 3")	1	1
1		1122792	Drive Wheel Assembly, Pneumatic, Grey Tire/Silver Rim (14" x 3") (Pair)	2	1
1	C,E	1104437	Drive Wheel Assembly, Flat Free, Grey Tire/Silver Rim (14 x 3")	1	1
1	E	1122793	Drive Wheel Assembly, Flat Free, Grey Tire/Silver Rim (14" x 3") (Pair)	2	1
1	F	1141343	Drive Wheel Assembly, Flat Free, Grey Tire/Silver Rim (14 x 3")	1	1
2	A	1104882-NLA	NLA - Kit, 8" Rim w/ Hardware (14 x 3" Wheel)	1	1
4	C	1039652	Tire, Pneumatic, Grey (14" x 3")	1	1
4		1122794	Tire, Pneumatic, Grey (14" x 3") (Pair)	2	1
5	C,E	1101754	Tire w/ Foam Fill Insert, Grey (14" x 3")	1	1
5	E	1122795	Tire w/ Foam Fill Insert, Grey (14" x 3") (Pair)	2	1
5	F	1141342	Tire w/ Foam Fill Insert, Grey (14" x 3")	1	1
6		1039651	Tube, Inner, Black (14 x 3")	1	1
7	B	1115352	Kit, Drive Wheel Mounting Hardware (14" x 3")	1	1
7	D	1123400	Kit, Drive Wheel Mounting Hardware (14" x 3")	1	1
8		1023264	Key (6mm x 6mm x 40mm)	1	1
9		1110639	Hub, Wheel	1	1
10		1079247	Washer, Flat (21/64 x 53/64 x 7/64")	1	1
11		1064179	Kit, Locking Tab Washer w/ Instruction Sheet (Pair)	2	1
12		1023260	Screw (M8 x 1.25 x 20mm)	1	1
13		1100580	Nut, Beveled Hex (5/16-24)	1	4
14		1025737	Locknut (1/2-20)	1	1
15		1106174	Hub, Wheel	1	1
16		1036933	Washer (1/2 x 1-9/32 x 1/8")	1	1
17		1000180	Key (3/16 x 1-1/4")	1	1

NOTE: A - Sold complete. Includes the Rims and (5) ea. Socket Head Screws w/ Patch (5/16-18 x 7/8")
 B - Includes items 8-13. For "ALL" 300 lb. weight limit wheelchairs and (400 lb. weight limit wheelchairs built Before 12/19/03).
 C - Tire tread design changed 9/1/03 to improve traction. The tread design is the same as the Storm Series TDX models. It is recommended to replace in pairs to match tread design and traction performance for chairs made before 9/1/03
 D - Includes items 13-17. For 400 lb. weight limit wheelchairs built After 12/18/03.
 E - Before 12/19/05. Contains a black colored high density flat free foam material.
 F - After 12/18/05. Contains a green colored low density flat free foam material that provides a softer ride. A customer's chair must have a matched color set of foam filled inserts.

Front Rigging Reference Chart

Support Assemblies

Front Rigging	Color Right	Color Left	Chrome Right	Chrome Left
PHW93 Before 1/6/03	1114790-NLA	1114791	N/A	N/A
PHW93 After 1/5/03	1114755	1114756	N/A	N/A
PH904A Before 1/6/03	8881113043 See Note(s) A	8881113044 See Note(s) A	N/A	N/A
PH904A After 1/5/03	8881114757 See Note(s) A	8881114758 See Note(s) A	N/A	N/A
PHAL4A Before 1/6/03	N/A	N/A	1114995-NLA	1114996-NLA See Note(s) B
PHAL4A After 1/5/03	N/A	N/A	1114761	1114762

NOTE: A - Specify 34P Flat Black Frame Finish When Ordering.
B - No longer available as a service part. There is no replacement.

PHW93

Pivot Slide Tubes with Footplates

Chair Width	Aluminum (1650)	Deluxe Aluminum (1450)	Extra Large Aluminum (1350)	Adjustable Angle (AT5543)	Composite (1651)
16" Wide Right	1074149	1074151-NLA	1026395	1062756	1057869
16" Wide Left	1074150	1074152-NLA	1026396	1062757	1057870
17-24" Wide Right	1074149	1074151-NLA	1026395	1062756	1057879
17-24" Wide Left	1074150	1074152-NLA	1026396	1062757	1057880

NOTE: Pivot/ Slide Tube Mounting Hardware is Not Included.

Front Rigging Reference Chart

PHAL4A

Pivot Slide Tubes with Footplates

Chair Width	Aluminum (1650)	Deluxe Aluminum (1450)	Extra Large Aluminum (1350)
16-24" Wide Right	1023907	1023924-NLA	1035456
16-24" Wide Left	1023908	1023925-NLA	1035457

NOTE: Pivot/ Slide Tube Mounting Hardware is Not Included.

PH904A

Pivot Slide Tubes with Footplates

Chair Width	Aluminum (1650)	Deluxe Aluminum (1450)	Extra Large Aluminum (1350)
16-24" Wide Right	1058604	1028723-NLA	1058830
16-24" Wide Left	1058605	1028724-NLA	1058831

NOTE: Pivot/ Slide Tube Mounting Hardware is Not Included.

PHW93 (2" and 4" Longer)

Pivot Slide Tubes with Footplates

Footplate Type	16-24" Wide Right	16-24" Wide Left
Aluminum (1650) 2" Longer	1086494-NLA	1086497-NLA
Aluminum (1650) 4" Longer	1086495-NLA	1086498-NLA
Extra Large Aluminum (1350) 2" Longer	1086515	1086517
Extra Large Aluminum (1350) 4" Longer	1086516	1086518
Adjustable Angle (AT5543) 2" Longer	1062760	1062761

NOTE: Pivot/ Slide Tube Mounting Hardware is not Included.

Front Rigging Reference Chart

PHW93 (2" and 4" Longer)

Pivot Slide Tubes with Footplates

Footplate Type	16" Wide Right	16" Wide Left	17"-24" Wide Right	17"-24" Wide Left
Composite (1651) 2" Longer	1057871	1057872	1057881	1057882
Composite (1651) 4" Longer	1058421	1058422	1058423	1058424

NOTE: Pivot/ Slide Tube Mounting Hardware is not Included.

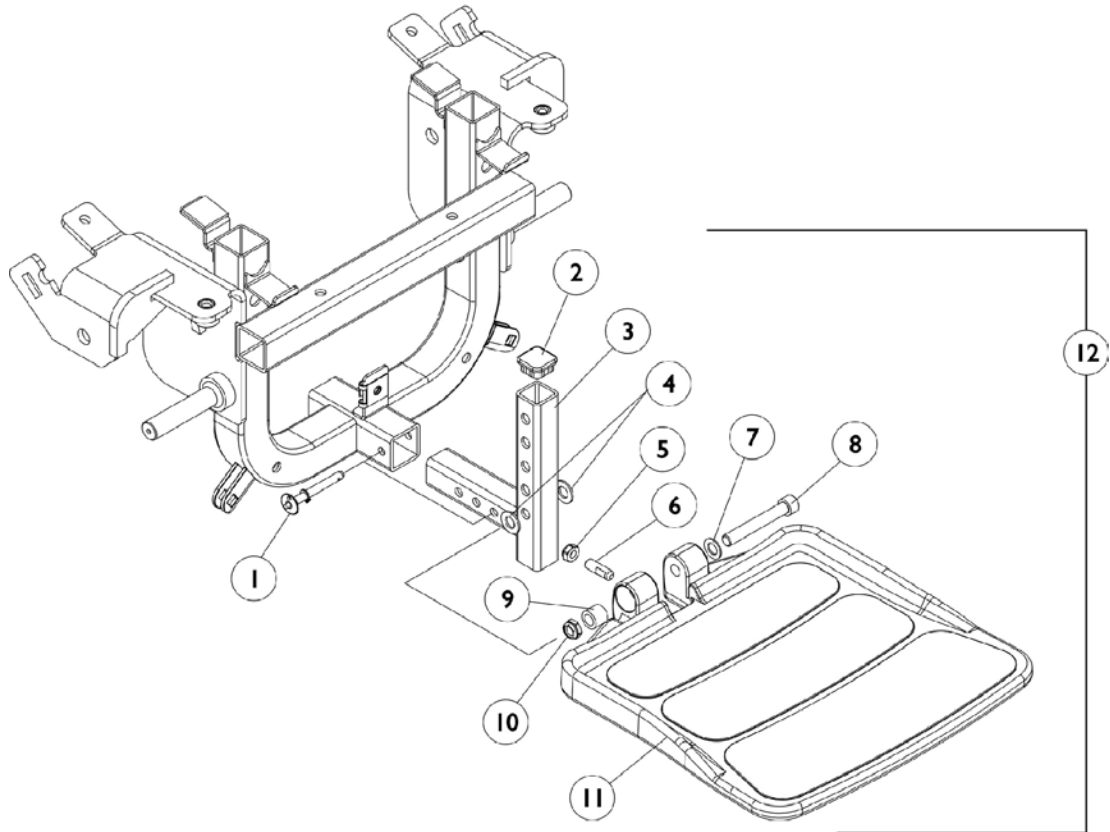
PH904A (2" and 4" Longer)

Pivot Slide Tubes with Footplates

Footplate Type	16-24" Wide Right	16-24" Wide Left
Aluminum (1650) 2" Longer	1086529-NLA	1086531-NLA
Aluminum (1650) 4" Longer	1086530-NLA	1086532-NLA
Extra Large Aluminum (1350) 2" Longer	1086541-NLA	1086551-NLA
Extra Large Aluminum (1350) 4" Longer	1086542-NLA	1086552-NLA

NOTE: Pivot/ Slide Tube Mounting Hardware is Not Included.

Footboard Assembly



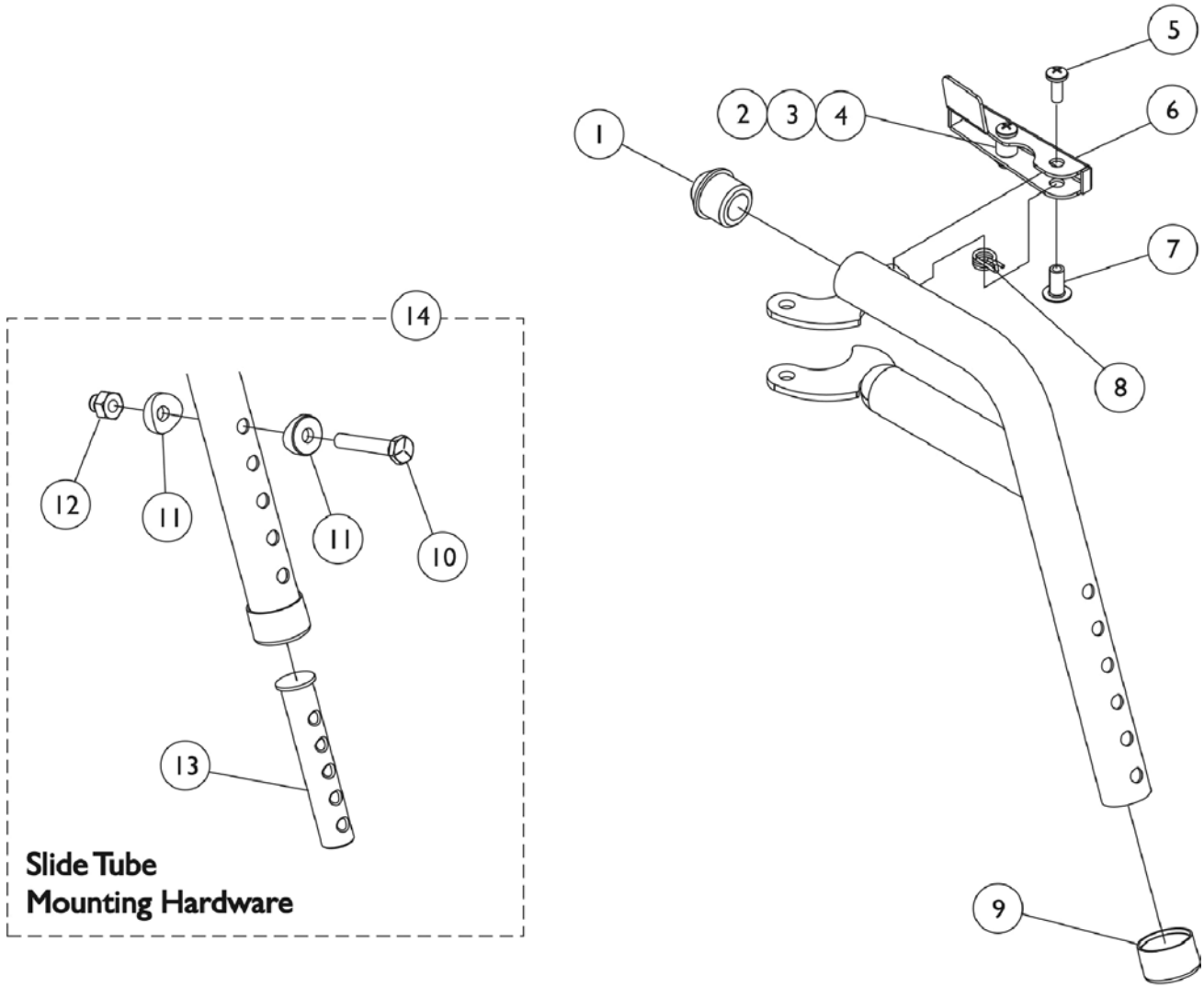
Footboard Assembly

Item Number	Note	Part Number	Description	Quantity Per	
				Package	Assembly
1		1109011	Pin, Quick Release	1	1
2		1105038	Plug Button, Black (1" Square)	1	1
3		1106369	Bracket, Footboard Support, Black	1	1
4		1049527	Washer, Nylon (3/8 x 3/4 x 1/16")	1	2
5		1028769	Locknut (5/16-18)	1	1
6		1108457	Screw, Set Socket Flat Point (5/16-18 x 1")	1	1
7		1065214	Washer, Flat (3/8 x 11/16 x 1/16")	1	1
8		1106223	Screw, Socket Head (3/8-16 x 2-1/2")	1	1
9		1105039	Bushing (3/8 x 5/8 x 1/2")	1	1
10		1028486	Locknut, Low Profile (3/8-16)	1	1
11		1114311	Footboard w/ Cover (11-1/4" W x 11-1/2" L)	1	1
12	A	1114312	Footboard Assembly	1	1

NOTE: A - Includes items 1-11

PHW93 (Hemi) Footrest Supports

Before 1/6/03
Black



PHW93 (Hemi) Footrest Supports

Before 1/6/03

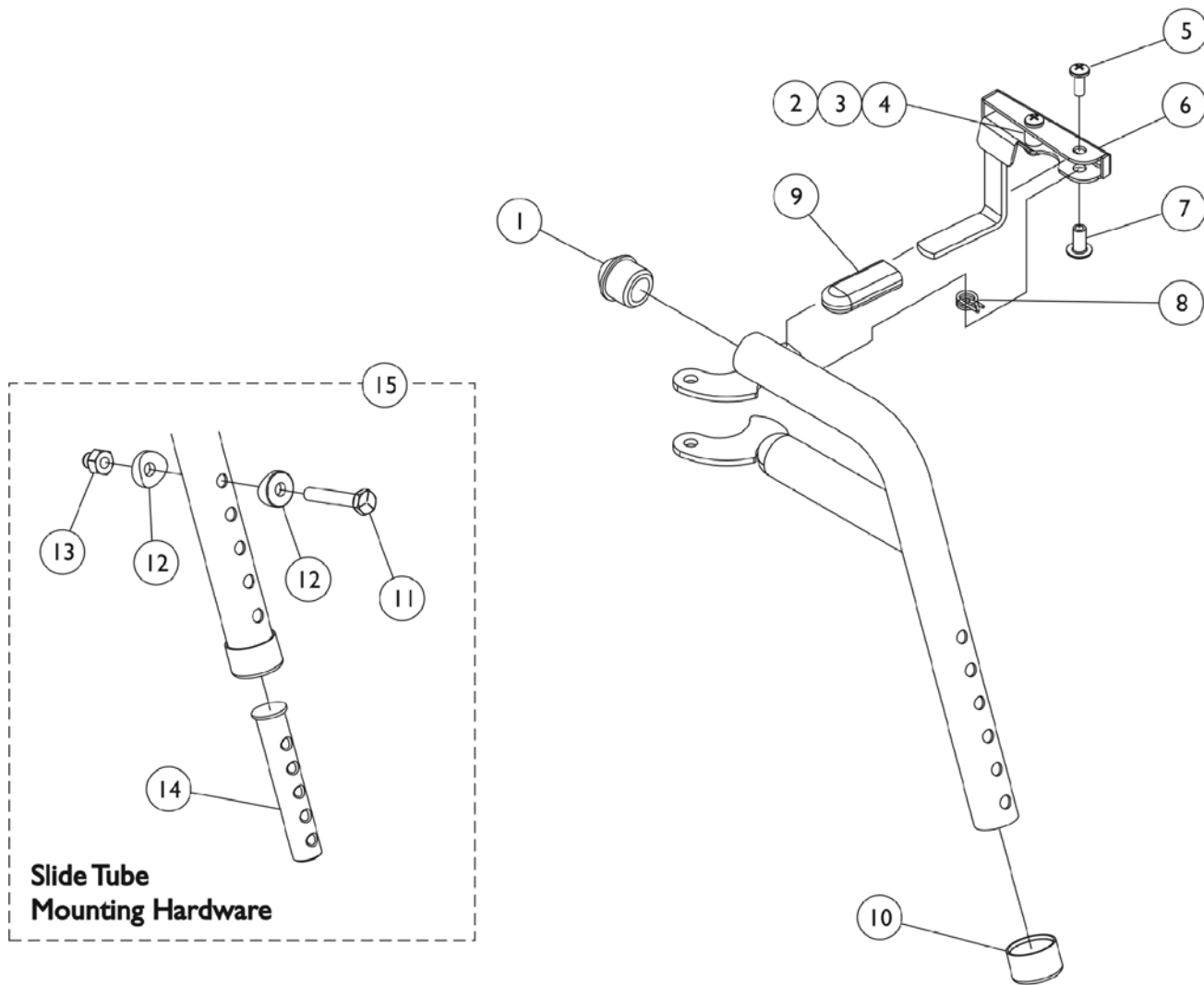
Black

Item Number	Note	Part Number	Description	Quantity Per	
				Package	Assembly
1		1020719	Anti-Rattle, Black	1	1
2		1025716	Screw, Phillips Pan Head (#10-32 x 11/16")	1	1
3		47565X057	Bushing (7/32 x 3/8 x 11/32")	1	1
4		1025735	Locknut (#10-32)	1	1
5		1026114	Screw, Phillips Pan Head (#10-32 x 1/2")	1	1
6	A	1113033	NLA - Handle, Release w/ Hardware, Black - Right	1	1
6	A	1113034-NLA	NLA - Handle, Release, Black - Left	1	1
7		1028846-NLA	NLA - Rivnut (#10-32)	1	1
8		1028707	Spring, Release - Right	1	1
8		1028708	Spring, Release - Left	1	1
9		15680X012	Collar, Anti-Rattle (7/8")	1	1
10		1070759	Screw, Hex Head (1/4-20 x 1-1/2")	1	1
11		1026099	Spacer, Coved (1/4 x 11/16 x 1/2")	1	2
12		1044214	Nut, Hex with Nylon Cap (1/4-20)	1	1
13	C	1020534	Insert, Threaded	1	1
14	B	1074143	Kit, Slide Tube Mounting Hardware	1	1
	B	1114790-NLA	NLA - Footrest Support Assembly, Hemi, Black - Right	1	1
	B	1114791	Footrest Support Assembly, Hemi, Black - Left	1	1

NOTE: A - Includes items 2-4
 B - Not Shown
 C - As of 8/15/03, the Threaded Insert was revised from 3 to 5 Holes. Threaded Insert is Backward Compatible and does not require ordering in Pairs.

PHW93 (Hemi) Footrest Supports

After 1/5/03
Black



PHW93 (Hemi) Footrest Supports

After 1/5/03

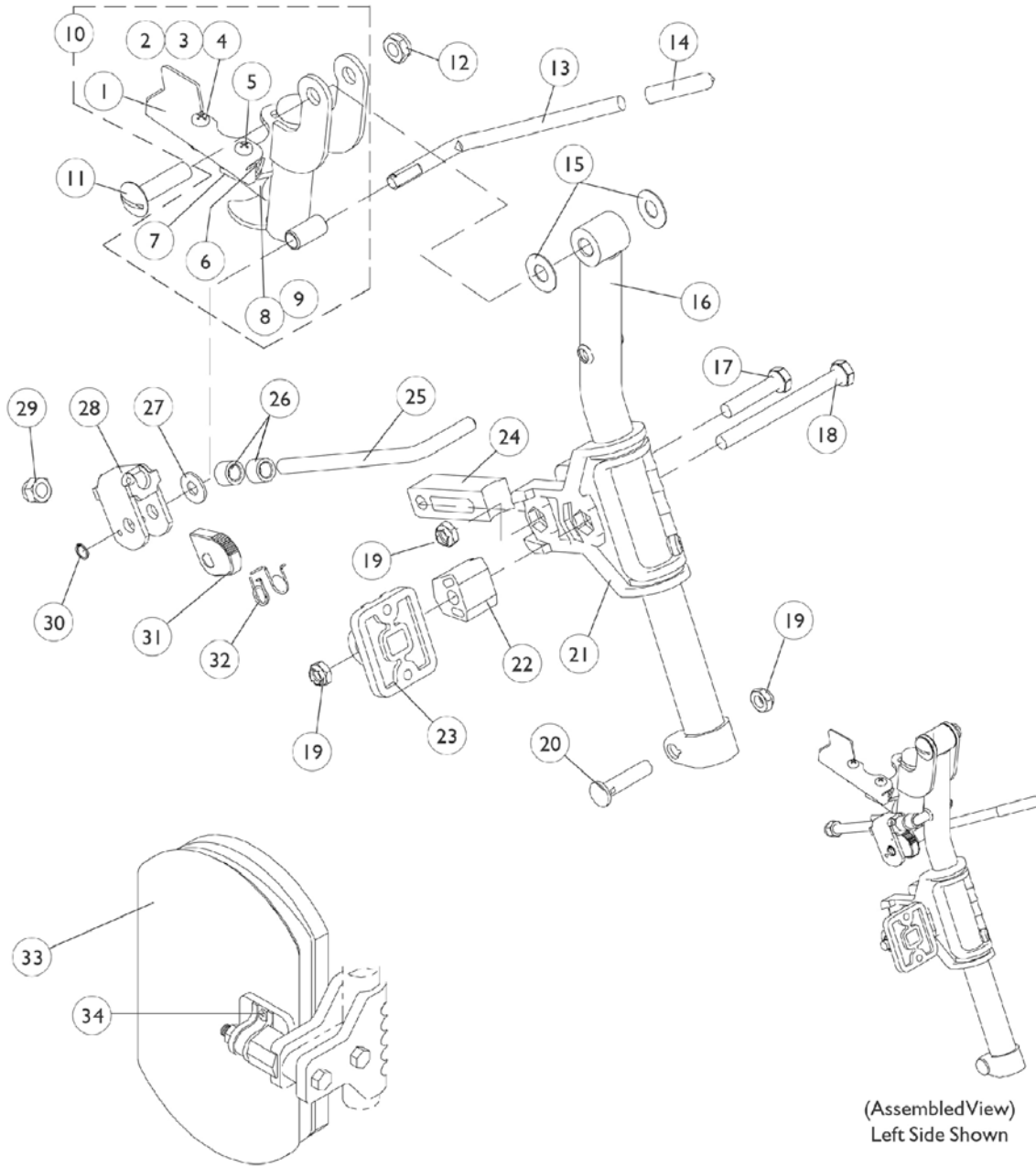
Black

Item Number	Note	Part Number	Description	Quantity Per	
				Package	Assembly
1		1020719	Anti-Rattle, Black	1	1
2		1025716	Screw, Phillips Pan Head (#10-32 x 11/16")	1	1
3		47565X057	Bushing (7/32 x 3/8 x 11/32")	1	1
4		1025735	Locknut (#10-32)	1	1
5		1026114	Screw, Phillips Pan Head (#10-32 x 1/2")	1	1
6	A	1114749-NLA	NLA - Handle, Release, Black - Right	1	1
6	A	1114750-NLA	NLA - Handle, Release, Black - Left	1	1
7		1028846-NLA	NLA - Rivnut (#10-32)	1	1
8		1028707	Spring, Release - Right	1	1
8		1028708	Spring, Release - Left	1	1
9		1006490	Tip, Plastic, Black	1	1
10		15680X012	Collar, Anti-Rattle (7/8")	1	1
11		1070759	Screw, Hex Head (1/4-20 x 1-1/2")	1	1
12		1026099	Spacer, Coved (1/4 x 11/16 x 1/2")	1	2
13		1044214	Nut, Hex with Nylon Cap (1/4-20)	1	1
14	C	1020534	Insert, Threaded	1	1
15	B	1074143	Kit, Slide Tube Mounting Hardware	1	1
	B	1114755	Footrest Support Assembly, Hemi, Black - Right	1	1
	B	1114756	Footrest Support Assembly, Hemi, Black - Left	1	1

NOTE: A - Includes items 2-4
 B - Not Shown
 C - As of 8/15/03, the Threaded Insert was revised from 3 to 5 Holes. Threaded Insert is Backward Compatible and does not require ordering in Pairs.

PH904A (Hemi) Legrest Supports (Before 1/6/03)

Due to a change to the Legrest Calf Pad size made on 4/23/12, you must also order the hardware kit (1068649) when ordering replacement Calf Pads.



PH904A (Hemi) Legrest Supports

(Before 1/6/03)

Due to a change to the Legrest Calf Pad size made on 4/23/12, you must also order the hardware kit (1068649) when ordering replacement Calf Pads.

Item Number	Note	Part Number	Description	Quantity Per	
				Package	Assembly
1		1031470-NLA	NLA - Handle, Release, Black - Left	1	1
1		1031469-NLA	NLA - Handle, Release, Black - Right	1	1
2		1025716	Screw, Phillips Pan Head (#10-32 x 11/16")	1	1
3		47565X057	Bushing (7/32 x 3/8 x 11/32")	1	1
4		1025735	Locknut (#10-32)	1	1
5		1026114	Screw, Phillips Pan Head (#10-32 x 1/2")	1	1
6		1008935	Spring, Release - Right	1	1
6		1008936	Spring, Release - Left	1	1
7		67005X000	Rivnut (#10-32)	1	1
8		1030979	Screw, Phillips Pan Head Tap (#10-32 x 3/4")	1	1
9		1022874	Bumper	1	1
10	D	1113041-NLA	NLA - Legrest Support Tube Assembly, Hemi, Black - Right	1	1
10	D	1113042-NLA	NLA - Legrest Support Tube Assembly, Hemi, Black - Left	1	1
11		11919X000-NLA	NLA - Screw, Slotted Truss Head (3/8-16 x 1-1/2")	1	1
12		40363X000	Hex Nut (3/8"-16)	1	1
13		1037126	Handle, Release	1	1
14		1040060	Tip, Plastic, Black	1	1
15		1058636-NLA	NLA - Washer, Nylon (25/64 x 7/8 x 1/32")	1	2
16	A	8881048851	Tube, Elevating Adjustable Support, Color - Right	1	1
16	A	8881048852	Tube, Elevating Adjustable Support, Color - Left	1	1
17		1028514	Screw, Hex Head (5/16-24 x 1-1/2")	1	1
18		1037110	Screw, Hex Head (5/16-24 x 3-1/2")	1	1
19		1025730	Locknut (5/16-24)	1	3
20		1026030	Bolt, Lug (5/16-24 x 1-3/8")	1	1
21		1032266	Bracket, Legrest Pad Mounting, Black	1	1
22		1025133	Spacer, Legrest Pad, Black	1	1
23		04526X019	Plate, Legrest Pad	1	1
24		1032267	Spacer, Legrest Pad Mounting, Black	1	1
25		1113030	Bar, Ratchet	1	1
26		47330X003	Spacer (5/16 x 1/2 x 3/8")	1	2
27		1013519	Washer, Nylon (5/16 x 11/16 x 1/16")	1	1
28		04528X002	Bracket, Release, Black	1	1
29		10261X000	Nut, Acorn (5/16-24)	1	1
30		1040831	Ring, Snap	1	1
31		1037125	Cam, Legrest	1	1
32		1037485	Spring, Release	1	1
33	B,F	8881091764	Pad, Legrest, Vinyl - Right/Left	1	1
34	E	1068649	Hardware, Legrest Pad	1	1
			Screw, Phillips Pan Head (#10-32 x 11/16")	1	2
			Screw, Phillips Pan Head (#10-32 x 1")	1	2

PH904A (Hemi) Legrest Supports

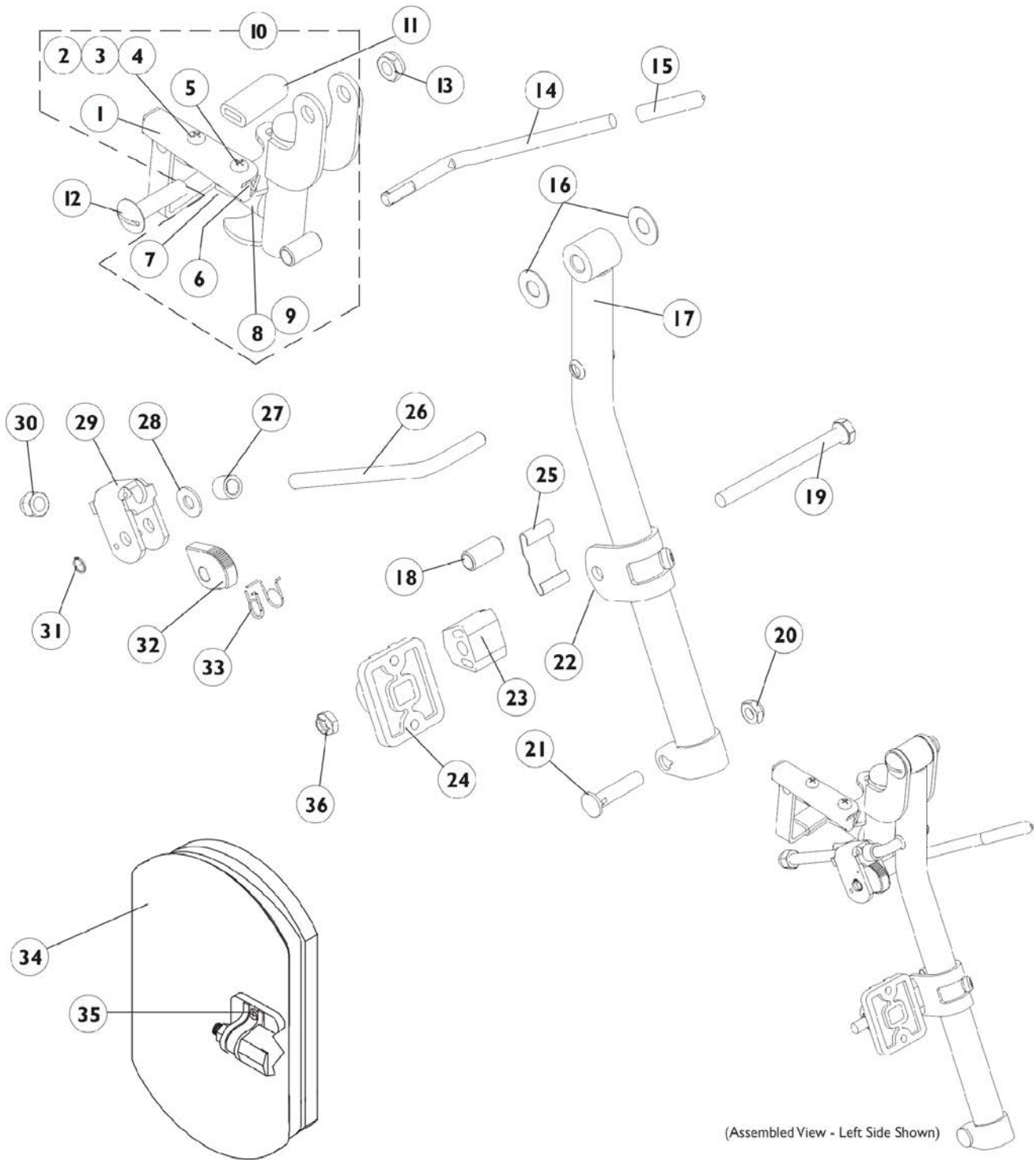
(Before 1/6/03)

Due to a change to the Legrest Calf Pad size made on 4/23/12, you must also order the hardware kit (1068649) when ordering replacement Calf Pads.

Item Number	Note	Part Number	Description	Quantity Per	
				Package	Assembly
			Instruction Sheet, Legrest Pad Mtg.	1	1
	A,C	8881113043	Legrest Support Assembly, Hemi, Color - Right	1	1
	A,C	8881113044	Legrest Support Assembly, Hemi, Color - Left	1	1
NOTE: A - Specify 34P flat black frame finish when ordering B - Specify upholstery color U67 black when ordering C - Not Shown D - Includes items 1-9 E - Includes Screws and Instruction Sheet. F - Due to a change to the Legrest Calf Pad size made on 4/23/12, you must also order the hardware kit (1068649) when ordering replacement Calf Pads.					

PH904A (Hemi) Legrest Supports (After 1/5/03)

Due to a change to the Legrest Calf Pad size made on 4/23/12, you must also order the hardware kit (1068649) when ordering replacement Calf Pads.



PH904A (Hemi) Legrest Supports

(After 1/5/03)

Due to a change to the Legrest Calf Pad size made on 4/23/12, you must also order the hardware kit (1068649) when ordering replacement Calf Pads.

Item Number	Note	Part Number	Description	Quantity Per	
				Package	Assembly
1	D	1114749-NLA	NLA - Handle, Release, Black - Right	1	1
1	D	1114750-NLA	NLA - Handle, Release, Black - Left	1	1
2		1025716	Screw, Phillips Pan Head (#10-32 x 11/16")	1	1
3		47565X057	Bushing (7/32 x 3/8 x 11/32")	1	1
4		1025735	Locknut (#10-32)	1	1
5		1026114	Screw, Phillips Pan Head (#10-32 x 1/2")	1	1
6		1008935	Spring, Release - Right	1	1
6		1008936	Spring, Release - Left	1	1
7		67005X000	Rivnut (#10-32)	1	1
8		1030979	Screw, Phillips Pan Head Tap (#10-32 x 3/4")	1	1
9		1022874	Bumper	1	1
10	E	1114753	Legrest Support Assembly, Black - Right	1	1
10	E	1114754	Legrest Support Assembly, Black - Left	1	1
11		1006490	Tip, Plastic, Black	1	1
12		11919X000-NLA	NLA - Screw, Slotted Truss Head (3/8-16 x 1-1/2")	1	1
13		40363X000	Hex Nut (3/8"-16)	1	1
14		1037126	Handle, Release	1	1
15		1040060	Tip, Plastic, Black	1	1
16		1058636-NLA	NLA - Washer, Nylon (25/64 x 7/8 x 1/32")	1	2
17	A	8881048851	Tube, Elevating Adjustable Support, Color - Right	1	1
17	A	8881048852	Tube, Elevating Adjustable Support, Color - Left	1	1
18		47328X003	Bushing, Pivot (5/16 x 7/16 x 7/8")	1	1
19		1014807	Screw, Hex Head (5/16-24 x 3-1/4")	1	1
20		1107321	Nut, Low Cap (5/16"-24)	1	1
21		1026030	Bolt, Lug (5/16-24 x 1-3/8")	1	1
22		1110207	Bracket, Calf Pad Mounting, Black	1	1
23		1025133	Spacer, Legrest Pad, Black	1	1
24		04526X019	Plate, Legrest Pad	1	1
25		48823X008	Spring, Leaf	1	1
26		1113030	Bar, Ratchet	1	1
27		47330X003	Spacer (5/16 x 1/2 x 3/8")	1	2
28		1013519	Washer, Nylon (5/16 x 11/16 x 1/16")	1	1
29		04528X002	Bracket, Release, Black	1	1
30		10261X000	Nut, Acorn (5/16-24)	1	1
31		1040831	Ring, Snap	1	1
32		1037125	Cam, Legrest	1	1
33		1037485	Spring, Release	1	1
34	B,G	8881091764	Pad, Legrest, Vinyl - Right/Left	1	1
35	F	1068649	Hardware, Legrest Pad	1	1
			Screw, Phillips Pan Head (#10-32 x 11/16")	1	2
			Screw, Phillips Pan Head (#10-32 x 1")	1	2

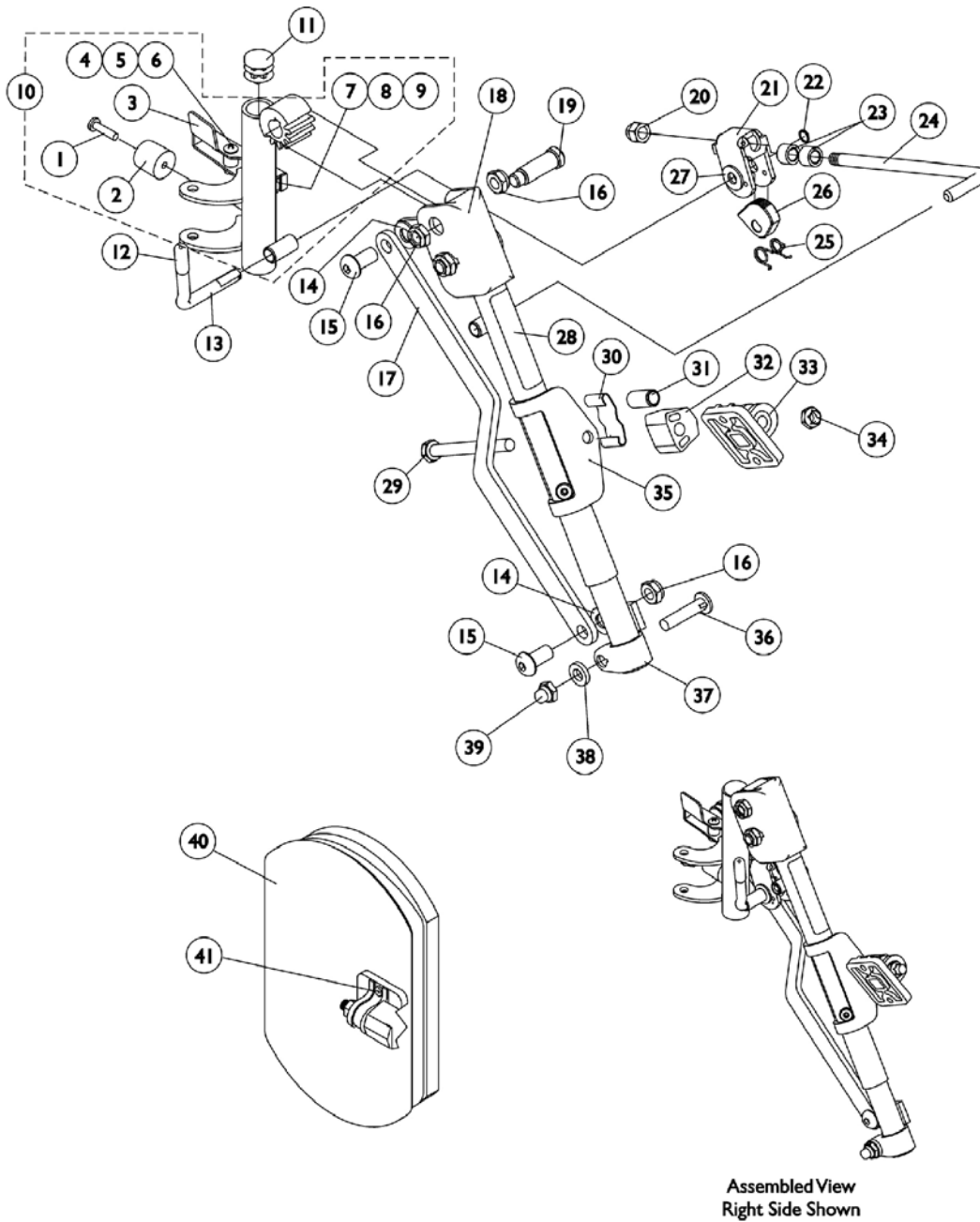
PH904A (Hemi) Legrest Supports (After 1/5/03)

Due to a change to the Legrest Calf Pad size made on 4/23/12, you must also order the hardware kit (1068649) when ordering replacement Calf Pads.

Item Number	Note	Part Number	Description	Quantity Per	
				Package	Assembly
36		1025730	Instruction Sheet, Legrest Pad Mtg.	1	1
			Locknut (5/16-24)	1	1
	A,C,H	8881114757	Legrest Support Assembly, Hemi, Color - Right	1	1
	A,C,H	8881114758	Legrest Support Assembly, Hemi, Color - Left	1	1
NOTE: A - Specify 34P flat black frame finish when ordering B - Specify upholstery color U67 black when ordering C - Not Shown D - Includes items 2-4 E - Includes items 1-9 F - Includes Screws and Instruction Sheet. G - Due to a change to the Legrest Calf Pad size made on 4/23/12, you must also order the hardware kit (1068649) when ordering replacement Calf Pads. H - Includes items 1-33 and 36.					

PHAL4A (Hemi) Articulating Legrest Supports (Before 1/6/03) Chrome

Due to a change to the Legrest Calf Pad size made on 4/23/12, you must also order the hardware kit (1068649) when ordering replacement Calf Pads.



PHAL4A (Hemi) Articulating Legrest Supports (Before 1/6/03) Chrome

Due to a change to the Legrest Calf Pad size made on 4/23/12, you must also order the hardware kit (1068649) when ordering replacement Calf Pads.

Item Number	Note	Part Number	Description	Quantity Per	
				Package	Assembly
1		1030979	Screw, Phillips Pan Head Tap (#10-32 x 3/4")	1	1
2		1022874	Bumper	1	1
3	B,D	1087698-NLA	NLA - Handle, Release, Chrome - Right	1	1
3	B,D	1087699-NLA	NLA - Handle, Release, Chrome - Left	1	1
4		47565X057	Bushing (7/32 x 3/8 x 11/32")	1	1
5		60279X003	Locknut (#10-32)	1	1
6		40163X008	Screw, Phillips Pan Head (#10-32 x 11/16")	1	1
7		1008935	Spring, Release - Right	1	1
7		1008936	Spring, Release - Left	1	1
8		67005X000	Rivnut (#10-32)	1	1
9		40163X002	Screw, Phillips Round Head (#10-32 x 1/2")	1	1
10	E	1114918-NLA	NLA - Legrest Support Tube Assembly, Hemi, Chrome - Right	1	1
10	E,F	1114919-NLA	NLA - Legrest Support Tube Assembly, Hemi, Chrome - Left	1	1
11		1027097	Plug Button, Black (3/4")	1	1
12		1040060	Tip, Plastic, Black	1	1
13		1037126	Handle, Release	1	1
14		1049527	Washer, Nylon (3/8 x 3/4 x 1/16")	1	2
15		1022866-NLA	NLA - Screw, Socket Button Head (3/8-16 x 3/4")	1	2
16		40363X000	Hex Nut (3/8"-16)	1	3
17		1022846-NLA	NLA - Bar, Link, Black	1	1
18		1022877-NLA	NLA - Tube, Support and Drive Link, Chrome - Right	1	1
18		1022878-NLA	NLA - Tube, Support and Drive Link, Chrome - Left	1	1
19		1022854-NLA	NLA - Screw, Shoulder Slotted Head (1/2 x 1-1/8", 3/8-16)	1	1
20		10261X000	Nut, Acorn (5/16-24)	1	1
21		04528X002	Bracket, Release, Black	1	1
22		1040831	Ring, Snap	1	1
23		47328X003	Bushing, Pivot (5/16 x 7/16 x 7/8")	1	2
24		42326X004	Bar, Ratchet - Right/Left	1	1
25		1037485	Spring, Release	1	1
26		1037125	Cam, Legrest	1	1
27		1013519	Washer, Nylon (5/16 x 11/16 x 1/16")	1	1
28		1024911-NLA	NLA - Decal, Smartleg	1	1
29		1014807	Screw, Hex Head (5/16-24 x 3-1/4")	1	1
30		48823X008	Spring, Leaf	1	1
31		47328X003	Bushing, Pivot (5/16 x 7/16 x 7/8")	1	1
32		1025133	Spacer, Legrest Pad, Black	1	1
33		04526X019	Plate, Legrest Pad	1	1
34		60264X001	Locknut (5/16-24)	1	1
35		1025104	Bracket, Legrest, Chrome	1	1

PHAL4A (Hemi) Articulating Legrest Supports (Before 1/6/03) Chrome

Due to a change to the Legrest Calf Pad size made on 4/23/12, you must also order the hardware kit (1068649) when ordering replacement Calf Pads.

Item Number	Note	Part Number	Description	Quantity Per	
				Package	Assembly
36		11232X009	Bolt, Lug (5/16-24 x 1-3/8")	1	1
37		1022848	Tube, Slide, Articulating, Chrome - Right	1	1
37		1022849	Tube, Slide, Articulating, Chrome - Left	1	1
38		1027377	Washer (#20)	1	1
39		1107321	Nut, Low Cap (5/16"-24)	1	1
40	C,H	8881091764	Pad, Legrest, Vinyl - Right/Left	1	1
41	G	1068649	Hardware, Legrest Pad	1	1
			Screw, Phillips Pan Head (#10-32 x 11/16")	1	2
			Screw, Phillips Pan Head (#10-32 x 1")	1	2
			Instruction Sheet, Legrest Pad Mtg.	1	1
	A	1114995-NLA	NLA - Legrest Support Assembly, Articulating, Hemi, Chrome - Right	1	1
	F,A	1114996-NLA	NLA - Legrest Support Assembly, Articulating, Hemi, Chrome - Left	1	1
<p>NOTE: A - Not Shown B - Right release handle is used on the left side and the left release handle is used on the right side. C - Specify upholstery color U67 black when ordering. D - Includes items 4-6 E - Includes items 1-9 F - No longer available as a service part. There is no replacement. G - Includes Screws and Instruction Sheet. H - Due to a change to the Legrest Calf Pad size made on 4/23/12, you must also order the hardware kit (1068649) when ordering replacement Calf Pads.</p>					

PHAL4A (Hemi) Articulating Legrest Supports (After 1/5/03) Chrome

Due to a change to the Legrest Calf Pad size made on 4/23/12, you must also order the hardware kit (1068649) when ordering replacement Calf Pads.

Item Number	Note	Part Number	Description	Quantity Per	
				Package	Assembly
1	B	1114761	Legrest Support Assembly, Articulating, Hemi, Chrome - Right	1	1
1	B	1114762	Legrest Support Assembly, Articulating, Hemi, Chrome - Left	1	1
2	C,F	1114759-NLA	NLA - Tube, Legrest Support, Hemi, Chrome - Right	1	1
2	F	1114760	Tube, Legrest Support, Hemi, Chrome - Left	1	1
3		1030979	Screw, Phillips Pan Head Tap (#10-32 x 3/4")	1	1
4		1022874	Bumper	1	1
5		1114751-NLA	NLA - Handle, Release, Chrome - Right	1	1
5		1114752	Handle, Release, Chrome - Left	1	1
6		47565X057	Bushing (7/32 x 3/8 x 11/32")	1	1
7		60279X003	Locknut (#10-32)	1	1
8		40163X008	Screw, Phillips Pan Head (#10-32 x 11/16")	1	1
9		1008935	Spring, Release - Right	1	1
9		1008936	Spring, Release - Left	1	1
10		67005X000	Rivnut (#10-32)	1	1
11		40163X002	Screw, Phillips Round Head (#10-32 x 1/2")	1	1
12		1027097	Plug Button, Black (3/4")	1	1
13		1006490	Tip, Plastic, Black	1	1
14		1040060	Tip, Plastic, Black	1	1
15		1037126	Handle, Release	1	1
16		1049527	Washer, Nylon (3/8 x 3/4 x 1/16")	1	2
17		1022866-NLA	NLA - Screw, Socket Button Head (3/8-16 x 3/4")	1	2
18		40363X000	Hex Nut (3/8"-16)	1	3
19		1022846-NLA	NLA - Bar, Link, Black	1	1
20		1022877-NLA	NLA - Tube, Support and Drive Link, Chrome - Right	1	1
20		1022878-NLA	NLA - Tube, Support and Drive Link, Chrome - Left	1	1
21		1022854-NLA	NLA - Screw, Shoulder Slotted Head (1/2 x 1-1/8", 3/8-16)	1	1
22		10261X000	Nut, Acorn (5/16-24)	1	1
23		04528X002	Bracket, Release, Black	1	1
24		1040831	Ring, Snap	1	1
25		47328X003	Bushing, Pivot (5/16 x 7/16 x 7/8")	1	2
26		42326X004	Bar, Ratchet - Right/Left	1	1
27		1037485	Spring, Release	1	1
28		1037125	Cam, Legrest	1	1
29		1013519	Washer, Nylon (5/16 x 11/16 x 1/16")	1	1
30		1024911-NLA	NLA - Decal, Smartleg	1	1
31		1014807	Screw, Hex Head (5/16-24 x 3-1/4")	1	1
32		48823X008	Spring, Leaf	1	1
33		47328X003	Bushing, Pivot (5/16 x 7/16 x 7/8")	1	1
34		1025133	Spacer, Legrest Pad, Black	1	1

PHAL4A (Hemi) Articulating Legrest Supports (After 1/5/03) Chrome

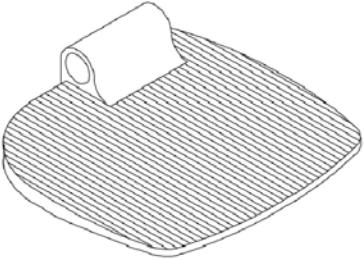
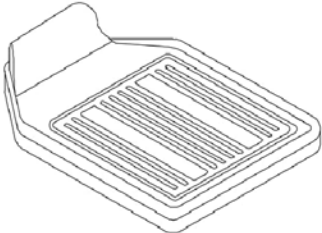
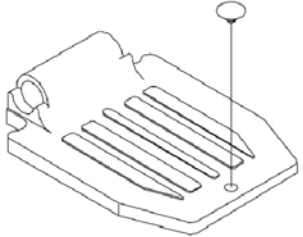
Due to a change to the Legrest Calf Pad size made on 4/23/12, you must also order the hardware kit (1068649) when ordering replacement Calf Pads.

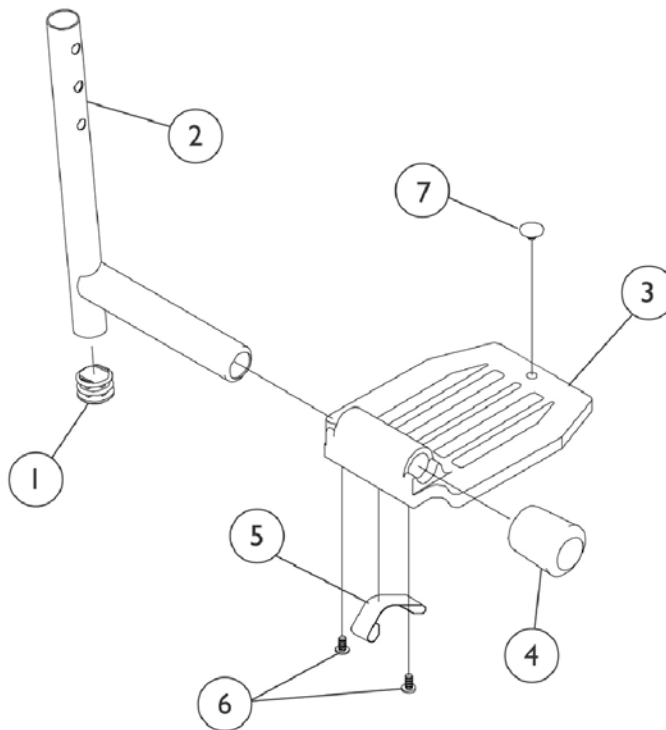
Item Number	Note	Part Number	Description	Quantity Per	
				Package	Assembly
35		04526X019	Plate, Legrest Pad	1	1
36		60264X001	Locknut (5/16-24)	1	1
37		1025104	Bracket, Legrest, Chrome	1	1
38		11232X009	Bolt, Lug (5/16-24 x 1-3/8")	1	1
39		1022848	Tube, Slide, Articulating, Chrome - Right	1	1
39		1022849	Tube, Slide, Articulating, Chrome - Left	1	1
40		1027377	Washer (#20)	1	1
41		1107321	Nut, Low Cap (5/16"-24)	1	1
42	A,E	8881091764	Pad, Legrest, Vinyl - Right/Left	1	1
43	D	1068649	Hardware, Legrest Pad	1	1
			Screw, Phillips Pan Head (#10-32 x 11/16")	1	2
			Screw, Phillips Pan Head (#10-32 x 1")	1	2
			Instruction Sheet, Legrest Pad Mtg.	1	1

NOTE: A - Specify upholstery color U67 black when ordering.
 B - Includes items 3-41
 C - No Longer Available individually. See part # 1114761 for replacement.
 D - Item Includes Screws and Instruction Sheet.
 E - Due to a change to the Legrest Calf Pad size made on 4/23/12, you must also order the hardware kit (1068649) when ordering replacement Calf Pads.
 F - Includes items 3-9.

Pivot/Slide Tube w/ Footplate PHW93

Heel loops are not included. See footrest and legrest accessories.
For complete pivot/slide tube and footplate assemblies, see front riggings reference chart.

		
<p>1350 Extra large</p>	<p>1450 Deluxe</p>	<p>1650 Standard Aluminum</p>



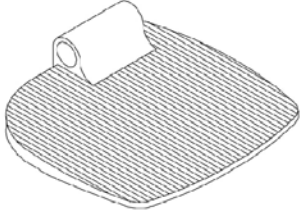
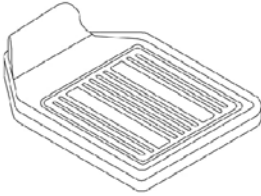
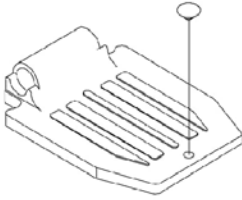
Pivot/Slide Tube w/ Footplate PHW93

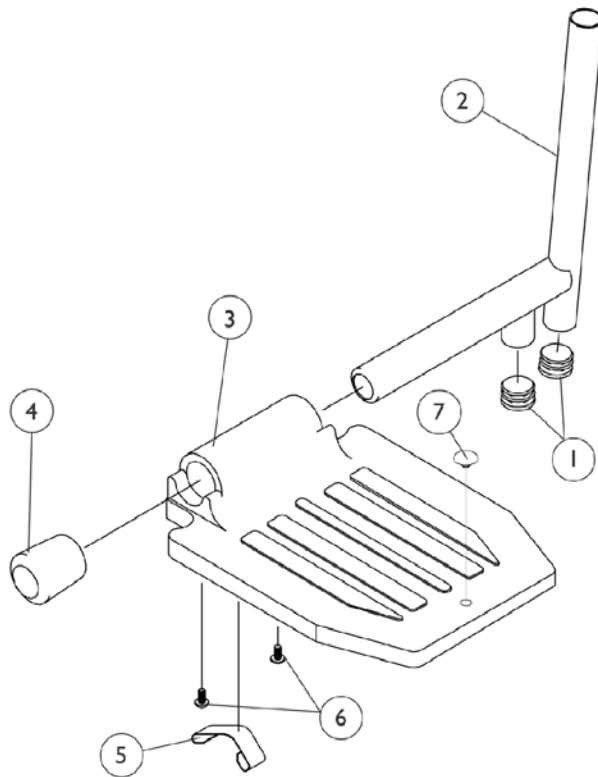
**Heel loops are not included. See footrest and legrest accessories.
For complete pivot/slide tube and footplate assemblies, see front riggings reference chart.**

Item Number	Note	Part Number	Description	Quantity Per	
				Package	Assembly
1		1027097	Plug Button, Black (3/4")	1	2
2	A,C	1048834	Pivot/Slide Tube w/ Plug Button, Black	1	1
2	A,C	1098906	Pivot/Slide Tube w/ Plug Button, Black (2" Longer)	1	1
2	A,C	1086482	Pivot/Slide Tube w/ Plug Button, Black (4" Longer)	1	1
2	B	1070762-NLA	NLA - Tube, Pivot/Slide w/ Plug Button, Deluxe Aluminum, Black	1	1
3	A	44200X027	Footplate, Aluminum, Medium, Black (7-3/4" W x 6" L)	1	1
3	B	1043659-NLA	NLA - Footplate, Aluminum, Deluxe, Black - Right (8" W x 5-3/4" L)	1	1
3	B	1043660-NLA	NLA - Footplate, Aluminum, Deluxe, Black - Left (8" W x 5-3/4" L)	1	1
3	C	44200X025	Footplate, Aluminum, Extra Large, Black - Right (8" W x 8-1/2" L)	1	1
3	C	44200X026	Footplate, Aluminum, Extra Large, Black - Left (8" W x 8-1/2" L)	1	1
4	A	1016346	Cap, End, Tube, Black (7/8")	1	1
4	C	1027095	Plug Button, Black (7/8")	1	1
5	A,D	1006981	Spring, Tension	1	2
5	B,D	1036120-NLA	NLA - Spring	1	2
5	C	1036123	Spring, Leaf	1	1
6	E	40120X001	Screw, Phillips Pan Head (#8-32 x 3/8")	1	2
7		1070168	Plug, Push, Footplate	1	1
NOTE: A - Standard Aluminum (1650) B - Deluxe Aluminum (1450) C - Extra Large Aluminum (1350) D - Two per side E - Deluxe takes one					

Pivot & Slide Tube w/ Footplates PH904A and PHAL4A

Heel loops are not included. See footrest and legrest accessories.
For complete pivot/slide tube and footplate assemblies, see front riggings reference chart.

		
1350 Extra large	1450 Deluxe	1650 Standard Aluminum



Pivot & Slide Tube w/ Footplates

PH904A and PHAL4A

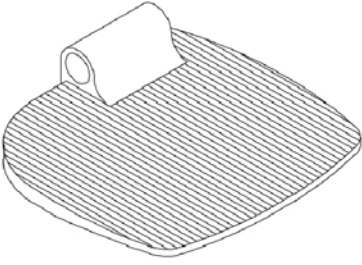
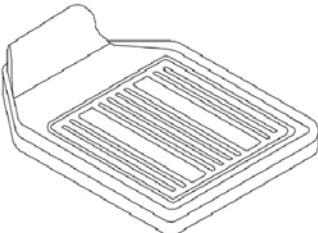
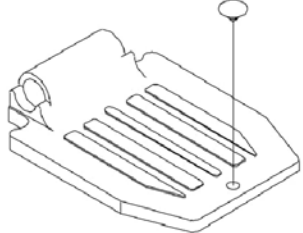
Heel loops are not included. See footrest and legrest accessories.

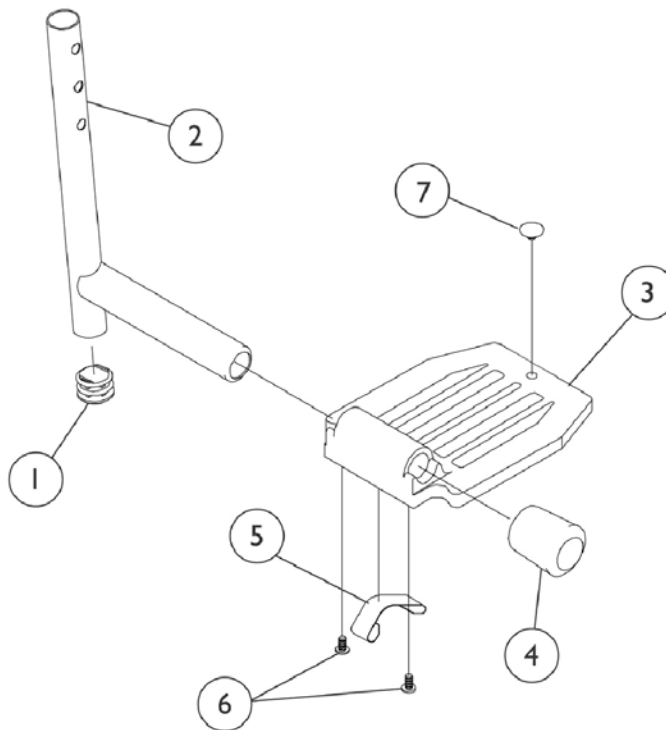
For complete pivot/slide tube and footplate assemblies, see front riggings reference chart.

Item Number	Note	Part Number	Description	Quantity Per	
				Package	Assembly
1		1027097	Plug Button, Black (3/4")	1	2
2	A,B,D	1100568-NLA	NLA - Pivot/Slide Tube w/ Plug Button, Black	1	1
2	A,B,D	1100569-NLA	NLA - Pivot/Slide Tube Assembly, Extra Large, Standard Aluminium - 2" Longer, Black	1	1
2	A,B,D	1100570-NLA	NLA - Pivot/Slide Tube w/ Plug Button, Black (4" Longer)	1	1
2	A,B,E	1041526	Pivot/Slide Tube w/ Plug Button Assembly, Chrome	1	1
2	C,D	1100571-NLA	NLA - Pivot/Slide Tube w/ Plug Button, Deluxe, Black	1	1
2	C,E,H	1023804-NLA	NLA - Pivot/Slide Tube w/ Plug Button, Deluxe, Chrome	1	1
3	A	44200X027	Footplate, Aluminum, Medium, Black (7-3/4" W x 6" L)	1	1
3	C	1043659-NLA	NLA - Footplate, Aluminum, Deluxe, Black - Right (8" W x 5-3/4" L)	1	1
3	C	1043660-NLA	NLA - Footplate, Aluminum, Deluxe, Black - Left (8" W x 5-3/4" L)	1	1
3	B	44200X025	Footplate, Aluminum, Extra Large, Black - Right (8" W x 8-1/2" L)	1	1
3	B	44200X026	Footplate, Aluminum, Extra Large, Black - Left (8" W x 8-1/2" L)	1	1
4	A	1016346	Cap, End, Tube, Black (7/8")	1	1
4	B	1027095	Plug Button, Black (7/8")	1	1
5	A	1006981	Spring, Tension	1	1
5	C,F	1036120-NLA	NLA - Spring	1	1
5	B,I	1036123	Spring, Leaf	1	1
6	G	40120X001	Screw, Phillips Pan Head (#8-32 x 3/8")	1	2
7		1070168	Plug, Push, Footplate	1	1
<p>NOTE: A - Standard Aluminum (1650) B - Extra Large Aluminum (1350) C - Deluxe Aluminum (1450) D - PH904A E - PHAL4A F - Two per side G - Deluxe takes one H - Part #1023804 is no longer available as a service part individually. See category titled "Front Riggings - Reference Chart" and order part #1023924 or 1023925 Pivot/Slide Tube and Footplate Assembly (Deluxe Aluminum - 1450) as a replacement. I - Use one or more leaf springs per assembly as required such that footplate may be moved by hand to the up-right position and remain in place.</p>					

Pivot/Slide Tube w/ Footplate PHW93

**Heel loops are not included. See footrest and legrest accessories.
For complete pivot/slide tube and footplate assemblies, see front riggings reference chart.**

		
<p>1350 Extra large</p>	<p>1450 Deluxe</p>	<p>1650 Standard Aluminum</p>



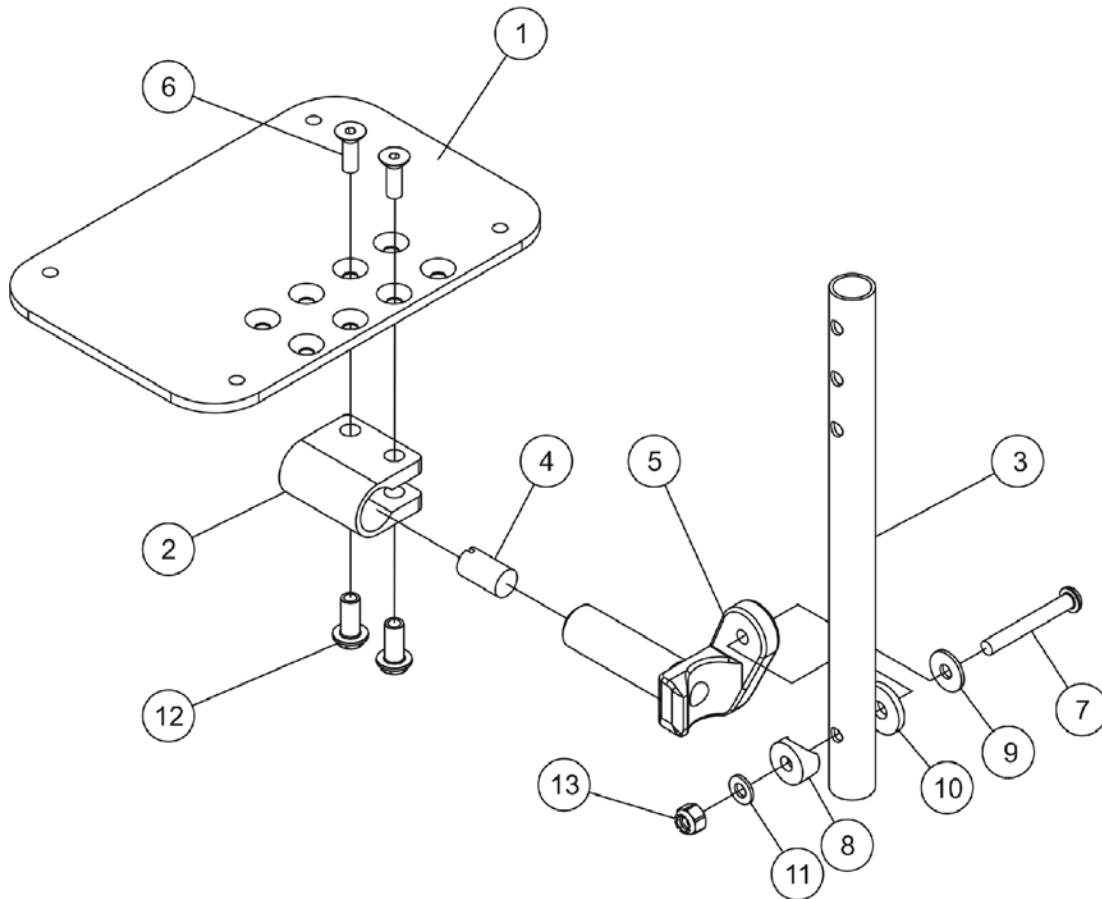
Pivot/Slide Tube w/ Footplate PHW93

**Heel loops are not included. See footrest and legrest accessories.
For complete pivot/slide tube and footplate assemblies, see front riggings reference chart.**

Item Number	Note	Part Number	Description	Quantity Per	
				Package	Assembly
1		1027097	Plug Button, Black (3/4")	1	2
2	C,A	1048834	Pivot/Slide Tube w/ Plug Button, Black	1	1
2	C,A	1098906	Pivot/Slide Tube w/ Plug Button, Black (2" Longer)	1	1
2	C,A	1086482	Pivot/Slide Tube w/ Plug Button, Black (4" Longer)	1	1
2	B	1070762-NLA	NLA - Tube, Pivot/Slide w/ Plug Button, Deluxe Aluminum, Black	1	1
3	A	44200X027	Footplate, Aluminum, Medium, Black (7-3/4" W x 6" L)	1	1
3	B	1043659-NLA	NLA - Footplate, Aluminum, Deluxe, Black - Right (8" W x 5-3/4" L)	1	1
3	B	1043660-NLA	NLA - Footplate, Aluminum, Deluxe, Black - Left (8" W x 5-3/4" L)	1	1
3	C	44200X025	Footplate, Aluminum, Extra Large, Black - Right (8" W x 8-1/2" L)	1	1
3	C	44200X026	Footplate, Aluminum, Extra Large, Black - Left (8" W x 8-1/2" L)	1	1
4	A	1016346	Cap, End, Tube, Black (7/8")	1	1
4	C	1027095	Plug Button, Black (7/8")	1	1
5	D,A	1006981	Spring, Tension	1	2
5	D,B	1036120-NLA	NLA - Spring	1	2
5	C,F	1036123	Spring, Leaf	1	1
6	E	40120X001	Screw, Phillips Pan Head (#8-32 x 3/8")	1	2
7		1070168	Plug, Push, Footplate	1	1
NOTE: A - Standard Aluminum (1650) B - Deluxe Aluminum (1450) C - Extra Large Aluminum (1350) D - Two per side E - Deluxe takes one F - Use one or more leaf springs per assembly as required such that footplate may be moved by hand to the up-right position and remain in place.					

Pivot/Slide Tube w/ Adjustable Angle Footplates - AT5543 - PHW93

Heel Loops are not included. See footrest and legrest accessories.
For complete pivot/slide tube and footplate assemblies, see front riggings reference charts.



Pivot/Slide Tube w/ Adjustable Angle Footplates - AT5543 - PHW93

Heel Loops are not included. See footrest and legrest accessories.

For complete pivot/slide tube and footplate assemblies, see front riggings reference charts.

Item Number	Note	Part Number	Description	Quantity Per	
				Package	Assembly
1	A	1113574	Footplate, Adjustable Angle, Extra Large, Black (6-1/4" W x 8" L)	1	1
2		1058517	Clamp, Footplate	1	1
3		1057855	Tube, Pivot and Slide, Straight, Steel, Black (9-7/8" L)	1	1
3		1057856	Tube, Pivot/Slide, Straight, Steel, Black (11-7/8" L)	1	1
4		1048816	Screw, Nylon Adjustment (1/2-13 x 7/8")	1	1
5		1052102	Hinge, Footplate - Right	1	1
5		1052103	Hinge, Footplate - Left	1	1
6		1029545	Screw, Socket Flat Head (1/4-20 x 3/4")	1	2
7		1022831	Screw, Socket Button Head (1/4-20 x 1-7/8")	1	1
8		1025457	Spacer, Coved (1/4 x 3/4 x 11/32")	1	1
9		1026900	Washer (1/4 x 23/32 x 1/16")	1	1
10		1016301	Washer, Nylon (5/16 x 7/8 x 1/8")	1	1
11		1026907	Washer (1/4 x 1/2 x 1/16")	1	1
12		1082686	Nut, Barrel, Hex Head (1/4-20 x 11/16")	1	2
13		1025736	Locknut (1/4-20)	1	1

NOTE: A - This footplate was revised 9/2/2008 with rounder corners and accessory holes changed from 8 to 4. Recommended to replace footplate in pairs to match sides.

Footrest & Legrest Accessories

Item Number	Note	Part Number	Description	Quantity Per	
				Package	Assembly
	A,C	1032243	Strap, Calf w/ Hook and Loop (36" L)	1	1
	A,D	1032215	H-Strap (26" L)	1	1
	A,E	1032216	H-Strap (31" L)	1	1
	A,F	1026987	Guard, Impact (8" L)	1	2
	A	See Chart	Heel Loops and Hardware (Not Including the AT5543)	1	1
	A	See Chart	Attaching Hardware Part Numbers (Not Including the AT5543)	1	1
	A	See Chart	AT5543 Heel Loops, Heel Loops w/ Ankle Straps and Hardware	1	1
	A	See Chart	Toe Loops (1345) and Hardware	1	1

NOTE: A - Not Shown
 C - 16"-24" Wide
 D - 16" Wide
 E - 17"-24" Wide
 F - For 70 deg. Tapered Footrest.

Heel Loops and Hardware (Not Including the AT5543)

Footplate Type	Chair Width	Heel Loop Single #	Heel Loop Pair #	Heel Loop w/ Ankle Strap Single # Rt.	Heel Loop w/ Ankle Strap Single # Lt.	Heel Loop w/ Ankle Strap Pair #	Attaching Hardware Pair #
Standard Aluminum (1650)	16-24" W	1017621	1035917-NLA	1035919	1035920	1035918	1035907
Deluxe Aluminum (1450)	16-24" W	1017621	1035917-NLA	1035919	1035920	1035918	1086112-NLA
X-Large Aluminum (1350)	16-24" W	1017621	1035917-NLA	1035919	1035920	1035918	1055241
Composite (1651)	16" Wide	1017621	1035917-NLA	1035919	1035920	1035918	1035931
Composite (1651)	17"-24" Wide	1017621	1035917-NLA	1035932-NLA	1035933-NLA	1035930	1035931

Attaching Hardware Part Numbers (Not Including the AT5543)

Footplate Type	Part Number	Part Number Consists of
----------------	-------------	-------------------------

Footrest & Legrest Accessories

Attaching Hardware Part Numbers (Not Including the AT5543)

Footplate Type	Part Number	Part Number Consists of
Standard Aluminum (1650)	1035907	(2) Screw, Phillips Pan Head (1/4-20 x 2-1/2") (2) Spacer (1/4 x 11/32 x 1-3/4") (2) Locknut (1/4-20)
Deluxe Aluminum (1450)	1086112-NLA	(2) Screw, Phillips Pan Head (1/4-20 x 2-1/2") (2) Spacer (1/4 x 11/32 x 1-3/4") (2) Locknut (1/4-20)
X-Large Aluminum (1350)	1055241	(2) Screw, Phillips Pan Head (1/4-20 x 2-1/4") (2) Spacer (1/4 x 11/32 x 1-3/4") (2) Locknut (1/4-20)
Composite (1651)	1035931	(2) Screw, Phillips, Pan Head (1/4-20 x 2-1/4") (2) Spacer (1/4 x 11/32 x 1-3/4") (2) Hex Nut w/ Nylon Cap (1/4-20) (2) Flat Washer (1/4 x 5/8 x 1/16")

Footrest & Legrest Accessories

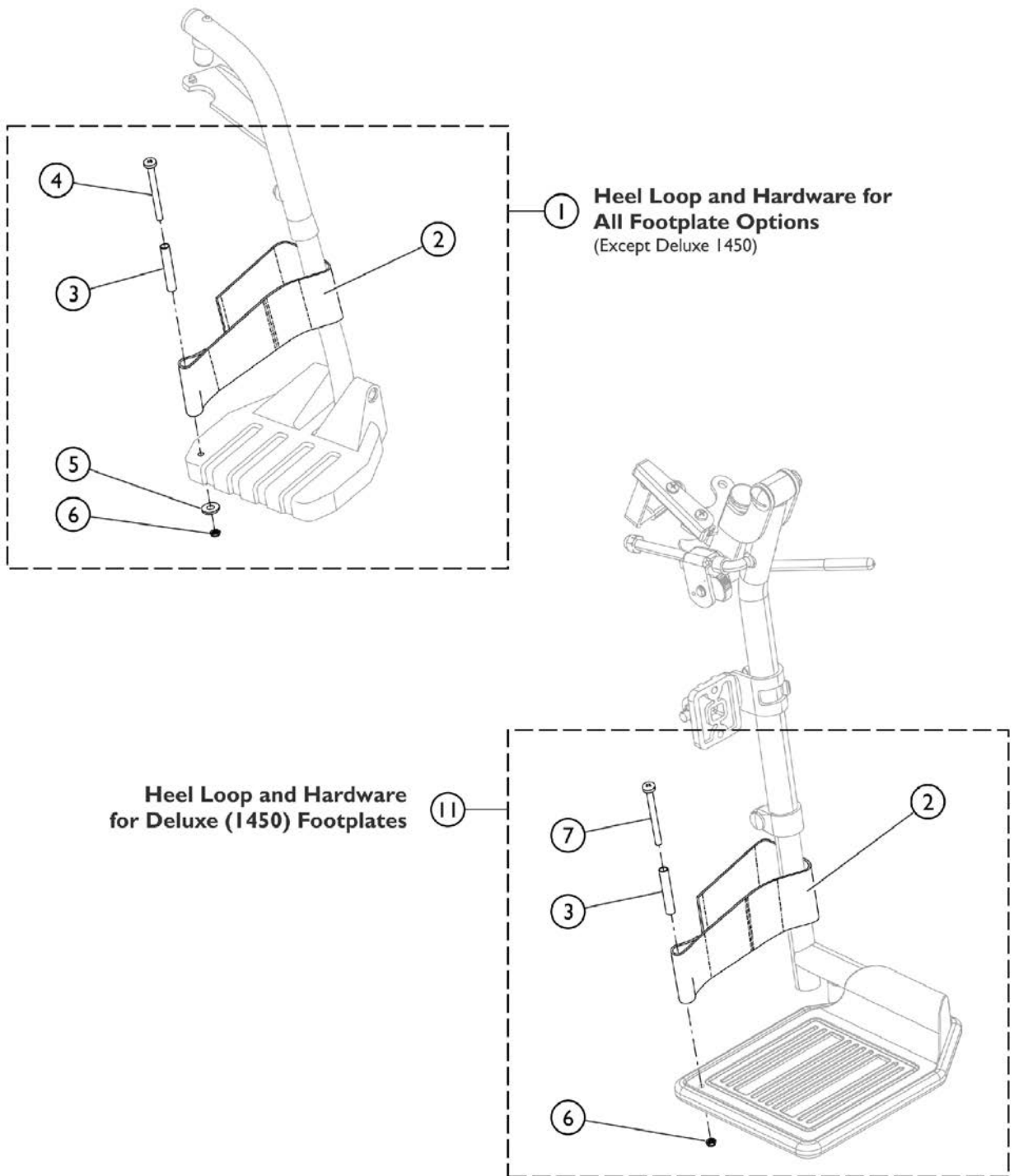
AT5543 Heel Loops, Heel Loops w/ Ankle Straps and Hardware

Footplate Type	Part Number	Kit Includes the Following:
AT5543 Adj. Angle	1160723 Kit, Heel Loop w/ Hardware, Adjustable Angle Footplate (Pair)	(2) Heel Loops (4) Screw, Phillips Pan Head (1/4-20 x 2-1/4") (4) Spacer (4) Locknut (1/4-20)
AT5543 Adj. Angle	1160724 Kit, Heel Loop w/ Ankle Strap and Hardware, Adjustable Angle Footplate (Pair)	(2) Heel Loops w/ Ankle Straps (4) Screw, Phillips Pan Head (1/4-20 x 2-1/4") (4) Spacer (4) Locknut (1/4-20)
Attaching Hardware Only	1035931 Kit, Heel Loop Attaching Hardware (Pair)	(2) Screw, Phillips, Pan Head (1/4-20 x 2-1/4") (2) Spacer (1/4 x 11/32 x 1-3/4") (2) Hex Nut w/ Nylon Cap (1/4-20) (2) Flat Washer (1/4 x 5/8 x 1/16")

Toe Loops (1345) and Attaching Hardware

Footplate Type	Toe Loop w/o Hardware Single #	Toe Loop w/o Hardware Pair #	Attaching Hardware Part Number	Attaching Hardware Consists of
1650, 1450, 1350, Footplates	04572X025	1037087	1037089	(4) Screw, PPH (10-32 x 7/8") (4) Washer (1/4 x 3/4 x 3/32") (4) Locknut (10-32)
AT5543 Footplates	04572X025	1037087	1104749	(4) Screw, PPH (10-32 x 1/2") (4) Washer (1/4 x 3/4 x 3/32")

Front Riggings - Adjustable Heel Loops



SCM_058A

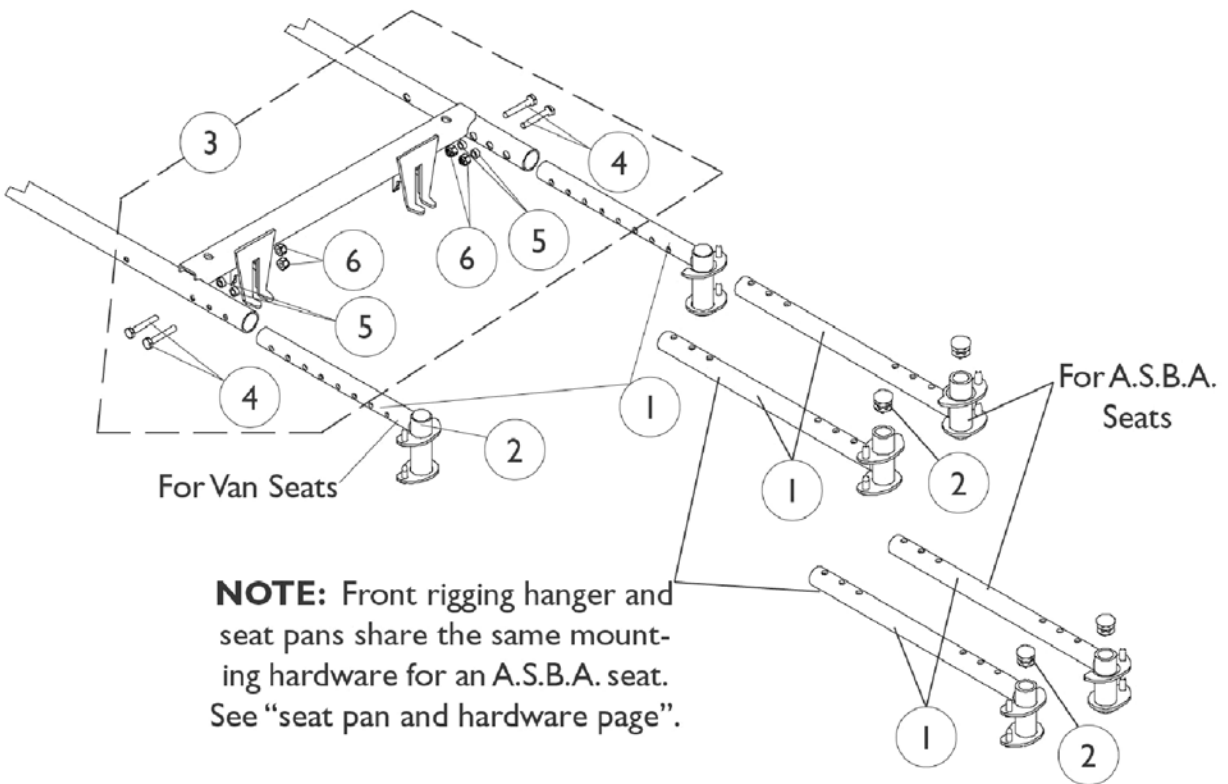
Front Riggings - Adjustable Heel Loops

Item Number	Note	Part Number	Description	Quantity Per	
				Package	Assembly
1	A	1191117	Kit, Heel Loop, Adjustable w/ Hardware (Pair)	1	1
2			Heel Loop	1	2
3			NLA - Spacer (1/4 x 11/32 x 1-3/4")	1	2
4			NLA - Screw, Phillips Pan Head (1/4-20 x 2-1/4")	1	2
5			Washer, Flat (1/4 x 5/8 x 1/16")	1	2
6			Nut, Hex, Nylon Cap (1/4-20)	1	2
			Instruction Sheet, Adjustable Heel Loop	1	1
11	B	1191116	Kit, Heel Loop, Adjustable w/ Hardware, Deluxe 1450 (Pair)	1	1
2			Heel Loop	1	2
3			NLA - Spacer (1/4 x 11/32 x 1-3/4")	1	2
6			Nut, Hex, Nylon Cap (1/4-20)	1	2
7			NLA - Screw, Phillips Pan Head (1/4-20 x 2-1/2")	1	2
			Instruction Sheet, Adjustable Heel Loop	1	1

NOTE: A - Kit includes items 2 - 6. Used with all Footplates except Deluxe (1450).
 B - Kit includes items 2, 3, 6, and item 7. Used with Deluxe (1450) Footplates only.

Front Rigging Hanger Assembly

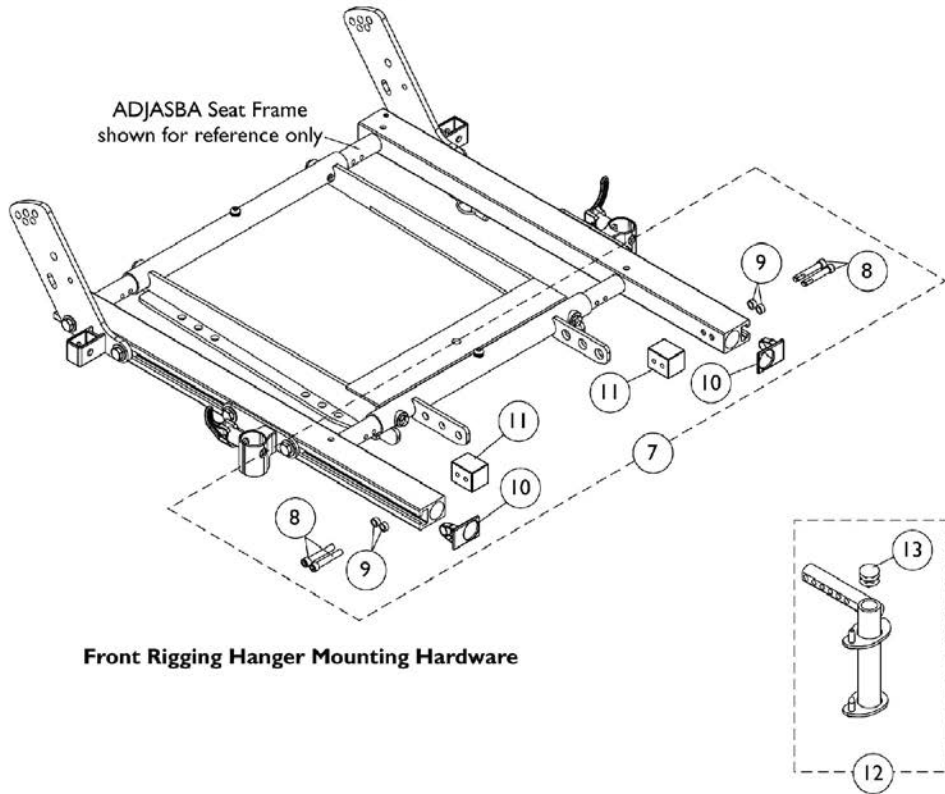
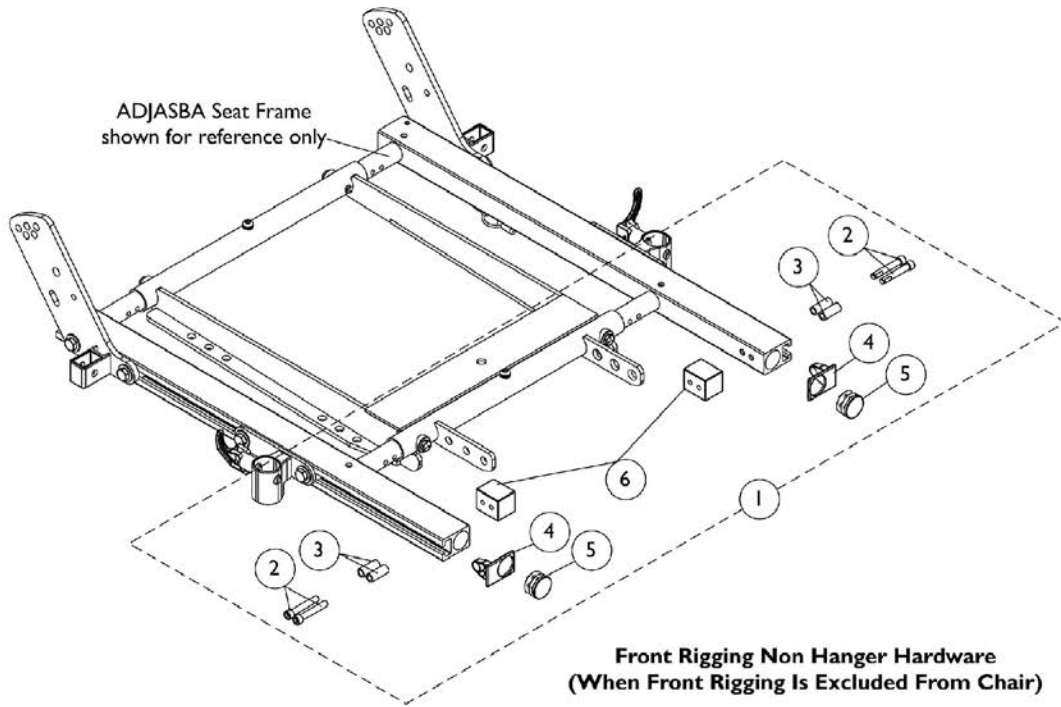
ASBA (Before 10/04/05) and Van Seats (All dates)



Front Rigging Hanger Assembly ASBA (Before 10/04/05) and Van Seats (All dates)

Item Number	Note	Part Number	Description	Quantity Per	
				Package	Assembly
1	A	1114782-NLA	NLA - Front Rigging Hanger Assembly w/ Plug Button, Hemi, Black - Right	1	1
1	A	1114783-NLA	NLA - Front Rigging Hanger Assembly w/ Plug Button, Hemi, Black - Left	1	1
1	B	1114766	Front Rigging Hanger Assembly w/ Plug Button, Pin Style, Hemi, Black - Right (12 - 21" D)	1	1
1	B	1114767	Front Rigging Hanger Assembly w/ Plug Button, Pin Style, Hemi, Black - Left (12 - 21" D)	1	1
1	D	1132339-NLA	NLA - Front Rigging Hanger Assembly w/ Plug Button, Pin Style, Hemi, Black - Right (22" D)	1	1
1	D	1132340-NLA	NLA - Front Rigging Hanger Assembly w/ Plug Button, Pin Style, Hemi, Black - Left (22" D)	1	1
1	C	1113026	Front Rigging Hanger Assembly w/ Plug Button, Hemi, Black - Right	1	1
1	C	1113027	Front Rigging Hanger Assembly w/ Plug Button, Hemi, Black - Left	1	1
2		1027097	Plug Button, Black (3/4")	1	1
3		1113045	Kit, Front Rigging Hanger Hardware	1	1
4			Locknut (1/4-20)	1	4
5			NLA - Spacer (1/4 x 3/8 x 3/16")	1	4
6			Screw, Hex Head (1/4-20 x 1-1/2")	1	4
NOTE: A - For all A.S.B.A. seats Before 1/6/03 B - 16-21" deep chairs with A.S.B.A. seats After 1/5/03 C - For van seats D - 22" deep chairs with A.S.B.A. seats After 1/5/03					

Front Rigging Hanger Assembly ADJASBA (After 10/03/05)

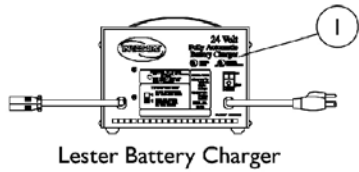


Front Rigging Hanger Assembly ADJASBA (After 10/03/05)

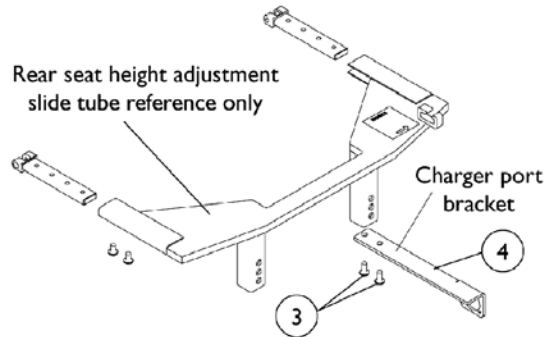
Item Number	Note	Part Number	Description	Quantity Per	
				Package	Assembly
1	A	1124723	Kit, Side Rail Cap Hardware (Pair)	1	1
2			Screw, Socket Head Cap w/ Patch (1/4-20 x 1-1/2")	1	4
3			Spacer (1/4 x 3/8 x 29/32")	1	4
4			Cap, End, Side Rail, Black	1	2
5			Plug Button, Black (1")	1	2
6			Block, Threaded	1	2
7	B	1125726	Kit, Front Rigging Hanger Mounting Hardware (Pair)	1	1
8			Screw, Socket Head Cap w/ Patch (1/4-20 x 1-1/2")	1	4
9			NLA - Spacer (1/4 x 3/8 x 3/16")	1	4
10			Cap, End, Side Rail, Black	1	2
11			Block, Threaded	1	2
12	C	1124401	Front Rigging Hanger Assembly w/ Plug Button, Pin Style, Hemi, Black - Right	1	1
12	C	1124402	Front Rigging Hanger Assembly w/ Plug Button, Pin Style, Hemi, Black - Left	1	1
13		1134426	Package, Plug Button, Black (3/4")	10	1
NOTE: A - Includes items 2-6 B - Includes items 8-11 C - Includes item 13					

Battery Chargers - Straps & Hardware

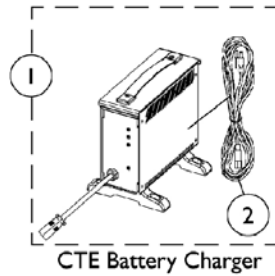
Before 12/19/03



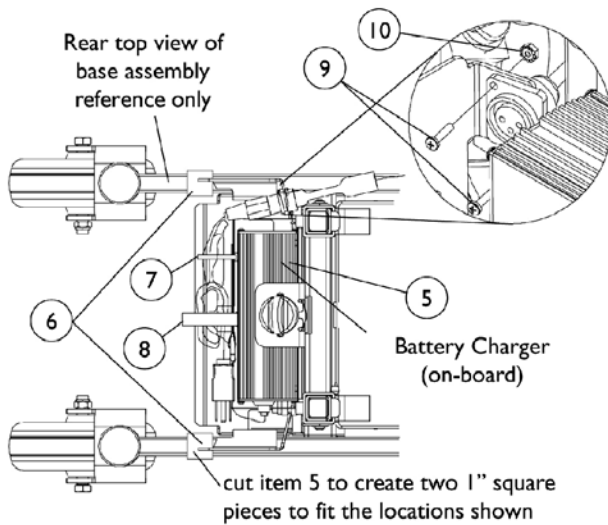
Lester Battery Charger



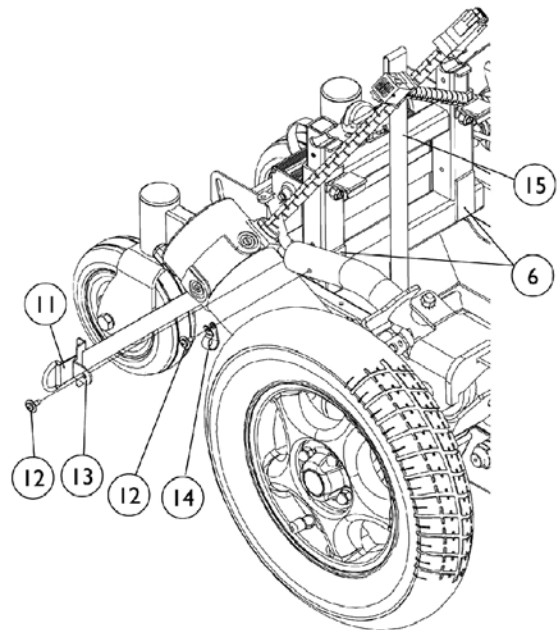
Charger port bracket location when a Power Tilt Only (PTO) system w/ MKIV A electronics are present



CTE Battery Charger



NOTE: On-board charger is not used when a Power Tilt Only (PTO) system is present

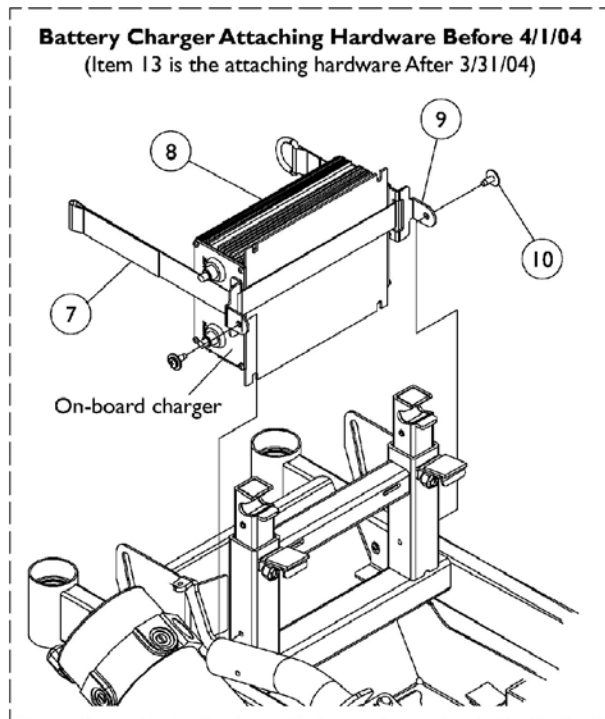
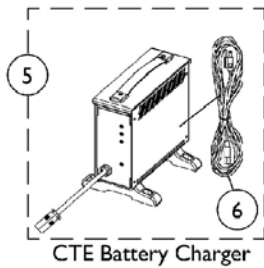
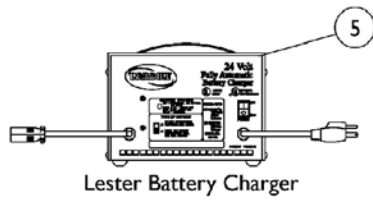
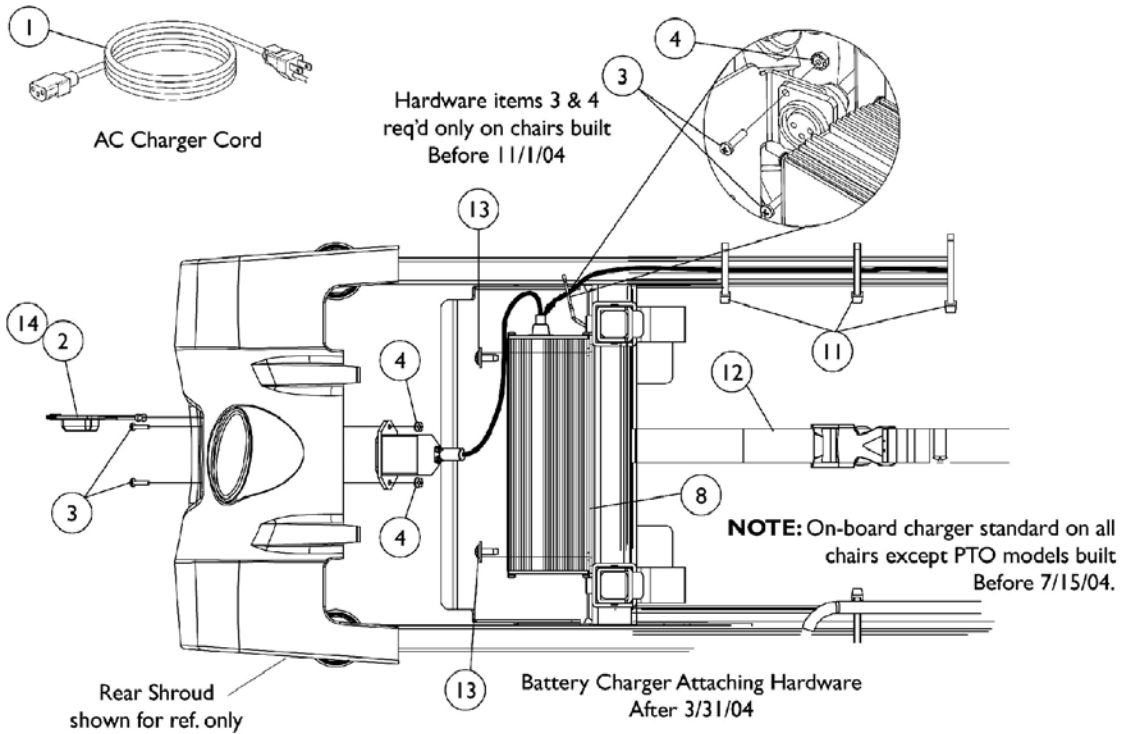


Battery Chargers - Straps & Hardware Before 12/19/03

Item Number	Note	Part Number	Description	Quantity Per	
				Package	Assembly
1	A,E	1053161-NLA	NLA - Charger, Battery, 8 Amp, 115vac, Off Board Dual Mode Round Plug, Lester	1	1
1	C	1123249	Charger, Battery, 8 Amp. 115vac (Off Board) Single Mode Round Plug w/ AC Power Line Cord	1	1
1	C	1123249E-NLA	NLA - WARR RPLMT - Charger, Battery, 8 Amp, 115VAC (Off Board) Single Mode Round Plug w/ AC Power Line Cord	1	1
2	D	1089627-NLA	NLA - Cord, AC Power, 115VAC, 2 Prong Off-Board (11' 6" L)	1	1
2		1121086	Cord, AC Power, 115VAC, 3 Prong On-Board (6' 6-1/2" L)	1	1
3		1006773-NLA	NLA - Screw, Socket Button Head (1/4-20 x 1/2")	1	1
4		1119265-NLA	NLA - Bracket, Charger Connector, Black	1	1
5	B	1110636-NLA	NLA - Charger, Battery, Dual Mode, Round Plug, 5 Amp, On-Board	1	1
6		1070509-NLA	NLA - Fastener, Loop with Adhesive Back (1" W x 2" L)	1	3
7		1095502-NLA	NLA - Package, Tie Wrap (11-1/2" L)	10	1
8		1112745-NLA	NLA - Tie Wrap, Hook and Loop (8" L)	1	1
9		1021742	Screw, Phillips Pan Head (#4-40 x 1/2")	1	4
10		P0870X000	Nut, Hex Keps (#4-40)	1	4
11		1112569-NLA	NLA - Strap, Charger	1	1
12		1114308	Screw, Phillips Pan Head Tap (#10-32 x 1/2")	1	4
13		1113441-NLA	NLA - Tab, Charger Strap	1	2
14		1110638-NLA	NLA - Clamp, Cable (1/2 x 3/8")	1	2
15		1080872-NLA	NLA - Strap and Buckle Assembly	1	1
<p>NOTE: A - The 8 Amp. Lester charger was standard on-chair when a Power Tilt Only (PTO) seating system is ordered B - Used on all chairs except those with a Power Tilt Only (PTO) seating system. C - CTE charger introduced 4/1/04. Used on Gel Cell or AGM (Absorbed Glass Mat) batteries. Serial number starts with 04A00000001. For wet cell batteries refer to the Lester 8 Amp. charger. D - No longer available as a service part. Please use 1121086 as its replacement. E - Use Battery Charger part number 1123249 as a replacement.</p>					

Battery Chargers - Straps - Hardware

After 12/18/03



Battery Chargers - Straps - Hardware After 12/18/03

Item Number	Note	Part Number	Description	Quantity Per	
				Package	Assembly
1		1121086	Cord, AC Power, 115VAC, 3 Prong On-Board (6' 6-1/2" L)	1	1
2		1119198	Cover, Connector	1	1
3		1021742	Screw, Phillips Pan Head (#4-40 x 1/2")	1	4
4		P0870X000	Nut, Hex Keps (#4-40)	1	4
5	A,J	1053161-NLA	NLA - Charger, Battery, 8 Amp, 115vac, Off Board Dual Mode Round Plug, Lester	1	1
5	C	1123249	Charger, Battery, 8 Amp. 115vac (Off Board) Single Mode Round Plug w/ AC Power Line Cord	1	1
5	C	1123249E-NLA	NLA - WARR RPLMT - Charger, Battery, 8 Amp, 115VAC (Off Board) Single Mode Round Plug w/ AC Power Line Cord	1	1
6	I	1089627-NLA	NLA - Cord, AC Power, 115VAC, 2 Prong Off-Board (11' 6" L)	1	1
6		1121086	Cord, AC Power, 115VAC, 3 Prong On-Board (6' 6-1/2" L)	1	1
7	D	1112569-NLA	NLA - Strap, Charger	1	1
8	B,H	1123102-NLA	NLA - Charger, Battery, Dual Mode, Round Plug, 5 Amp, On-Board	1	1
8	F,G,H	1123526	Charger, Battery, Dual Mode 5 Amp, On-Board	1	1
8	F,G,H	1123526E-NLA	NLA - WARR RPLMT - Charger, Battery, Dual Mode 5 Amp, On-Board	1	1
9	D	1113441-NLA	NLA - Tab, Charger Strap	1	2
10	D	1114308	Screw, Phillips Pan Head Tap (#10-32 x 1/2")	1	2
11		98007X005	Tie Wrap (11-1/2" L)	1	8
12		1080872-NLA	NLA - Strap and Buckle Assembly	1	1
13	E	1114308	Screw, Phillips Pan Head Tap (#10-32 x 1/2")	1	2
14		1123228-NLA	NLA - Decal, Cover Connector	1	1

NOTE: A - The 8 Amp. Lester charger was standard on-chair before 4/1/04 and the CTE battery charger became standard on-chair 4/1/04 thru 7/14/04 with a Power Tilt Only (PTO) seating system. PTO Plus models (After 7/14/04) come std. with an on-board charger.

B - Used on all Non Power Tilt Only chairs built Before 11/1/04 and PTO Plus chairs built between 7/15/04 and 5/31/05. Prior to 7/15/04, PTO chairs did not use an on board charger.

C - CTE charger introduced on-chair as an optional choice 4/1/04. Used on Gel Cell or AGM (Absorbed Glass Mat) batteries. Serial number starts with 04A00000001. For wet cell batteries refer to the Lester 8 Amp. charger.

D - Charger attaching hardware Before 4/1/04. These items were replaced by item 13.

E - Charger attaching hardware After 3/31/04.

F - Used on all Non Power Tilt Only chairs built After 10/31/04 and all PTO Plus chairs built After 5/31/05.

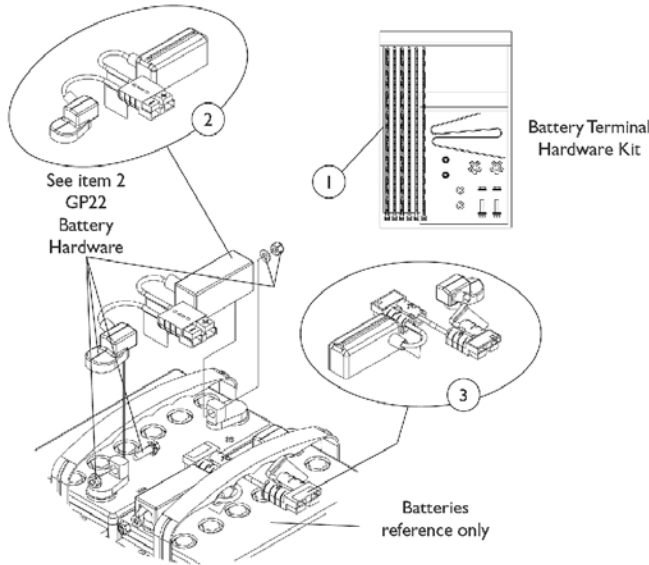
G - Although interchangeable, this charger may be different than the original. This charger was supplied by either Signet or CTE. The CTE charger has 2 LED's versus 1 LED on the Signet charger.

H - This Part includes Item 1 AC Power Cord Part # 1121086.

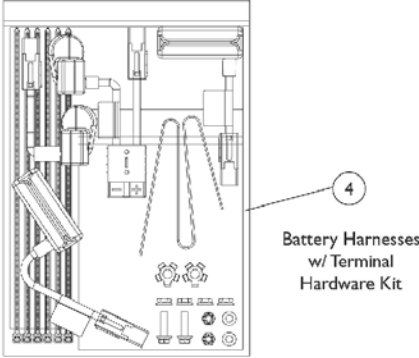
I - No longer available as a service part. Please use 1121086 as its replacement.

J - Use Battery Charger part number 1123249 as a replacement.

Battery Harnesses & Hardware



chairs with MKIV Electronics



chairs with MK5 Electronics

Battery Harnesses & Hardware

Item Number	Note	Part Number	Description	Quantity Per	
				Package	Assembly
1	A	1114498-NLA	NLA - Battery Terminal Hardware (GP22, MKIV)	1	1
2	B	1115350	Harness, Wire, Battery (75 Amp) - Rear (MKIV)	1	1
3	B	1115349	Harness, Wire, Battery (75 Amp) - Front (MKIV)	1	1
4	C,D	1122814-NLA	NLA - Harness, Battery, 100 Amp w/ Terminal Hardware - MK5 (Red Connector)	1	1
<p>NOTE: A - Battery Terminal Hardware is NLA. See item 4 for replacement. B - Individual components for the front and rear battery harnesses are not available C - Includes All battery harnesses, battery install instruction sheet, 1 ea. battery lift strap, 2 ea. washer locking tabs, 2 ea. 1/4-20 flange locknuts, 2 ea. 1/4-20 x 7/8" hex flange lock screws, 2 ea. 1/4-20 locknuts, and 6 ea. cable ties. D - Battery Extension Cable (p/n 1122199) may be needed as well. See Controller, Cables, Programmer, and Hdwr. (MK5) category.</p>					

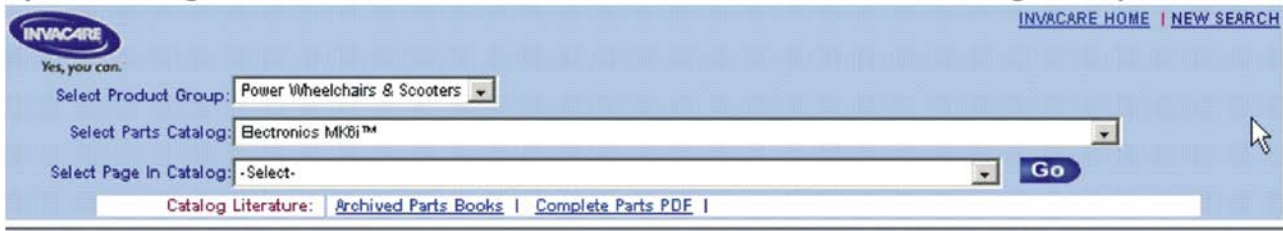
MK6i Electronics are contained in a separate catalog. See Catalog titled "Electronics MK6i" Form # 06-110.

If you are looking for **MK6i™ Electronics** introduced to the Pronto® M91™ with SureStep™ on or about 10/16/06

The parts catalog information is now divided into two separate catalogs.

Web Page

The MK6i™ Electronics information can be found on the Invacare web page by selecting “Electronics MK6i™” in the “Select Parts Catalog” drop down



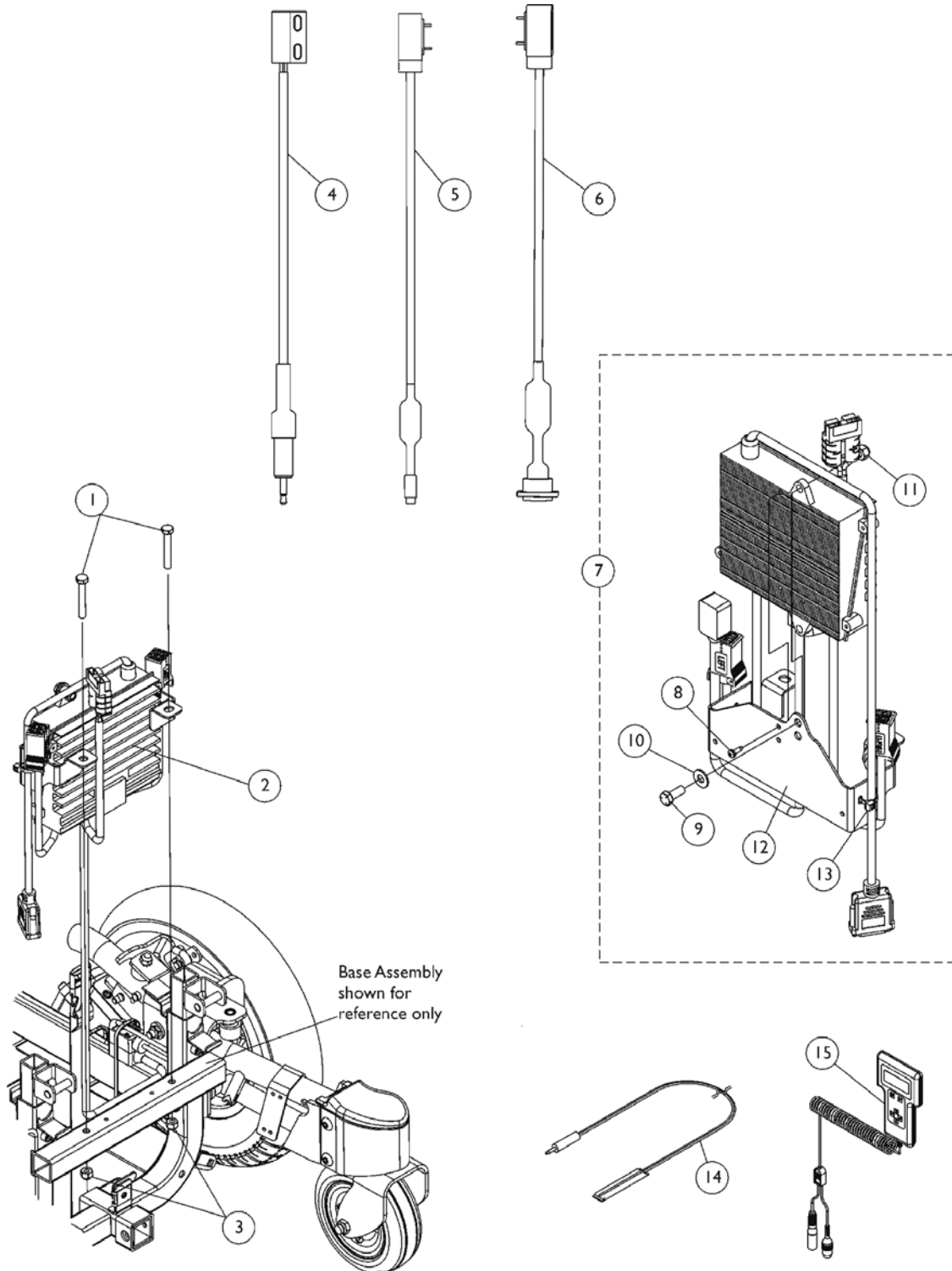
Printed Catalog

The MK6i™ Electronics information can be found in printed copy at our Literature Fulfillment Center listed under form # 06-110 and titled “MK6i™ Electronics”.

Controller, Cables, Programmer and Hardware MKIV RII 80 AMP.

Effective 12/19/03, MK5 NX-80 replaced MKIV RII as standard electronics on 400 Lb. limit chairs and PTO seating system chairs.

Effective 4/1/04, MK5 NX-80 replaced MKIV RII as standard electronics on 300 Lb. limit chairs.



Controller, Cables, Programmer and Hardware MKIV RII 80 AMP.

Effective 12/19/03, MK5 NX-80 replaced MKIV RII as standard electronics on 400 Lb. limit chairs and PTO seating system chairs.

Effective 4/1/04, MK5 NX-80 replaced MKIV RII as standard electronics on 300 Lb. limit chairs.

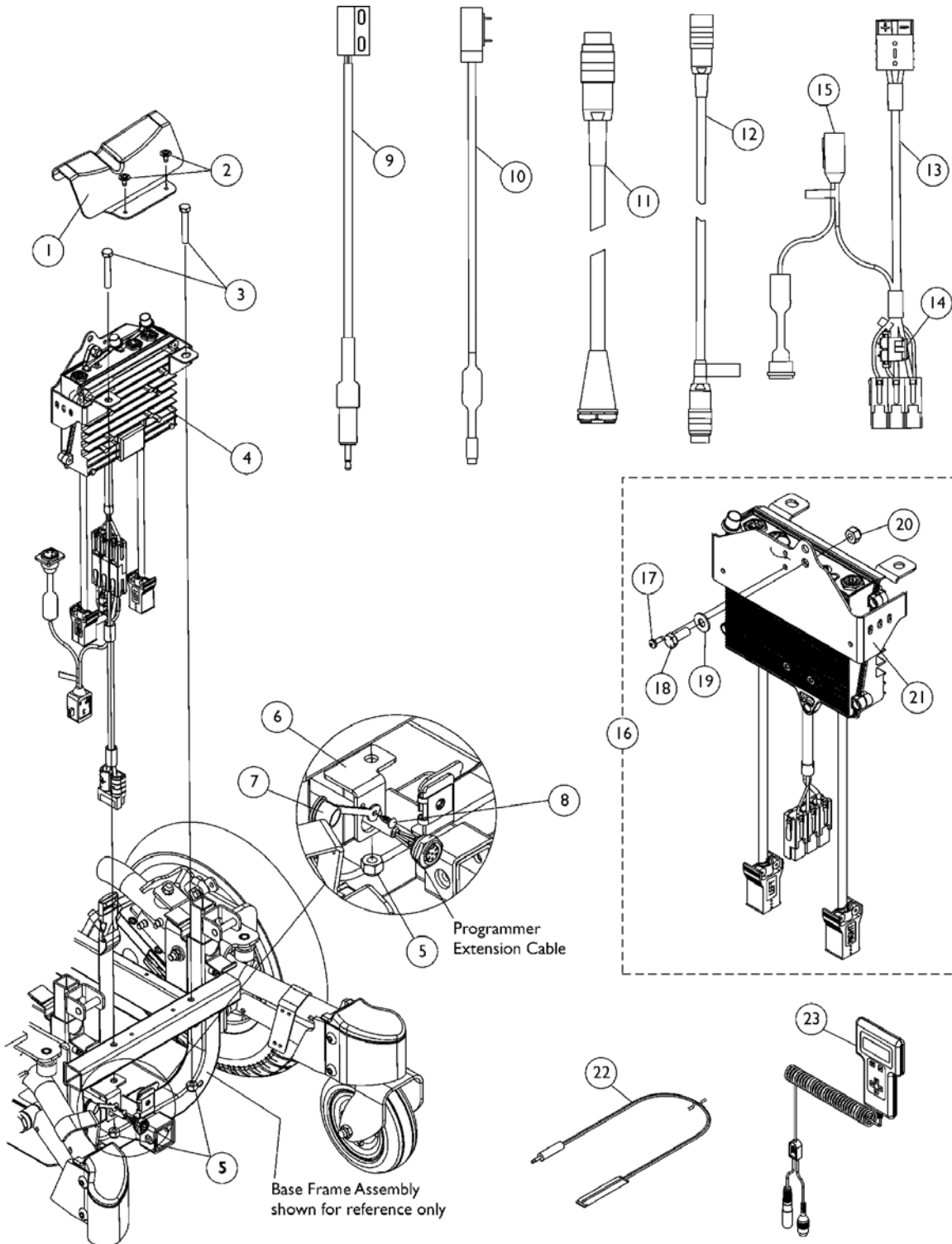
Item Number	Note	Part Number	Description	Quantity Per	
				Package	Assembly
1		1044939-NLA	NLA - Screw, Hex Head (5/16-18 x 1-3/4")	1	2
2		1106819-NLA	NLA - Controller, MKIV RII (80 AMP)	1	1
3		1026158	Locknut (5/16-18)	1	2
4		1074983-NLA	NLA - Cable, Limit Switch Sensor	1	1
5		1094872	Cable Option with Phono Jack	1	1
6		1114500-NLA	NLA - Cable Option with Charger Connector	1	1
7	A,G	1112783-NLA	NLA - Bracket with Hardware, Controller, M91/M94	1	1
8			NLA - Screw (#8-32 x 1/2")	1	1
9			NLA - Screw, Hex Head (5/16-18 x 3/4")	1	1
10			Washer, Steel (5/16 x 3/4 x 1/16")	1	1
11			Locknut (5/16-18)	1	1
12			NLA - Bracket, Controller Mounting, Black	1	1
13			Tie Wrap (11-1/2" L)	1	1
13		1095502-NLA	NLA - Package, Tie Wrap (11-1/2" L)	10	1
14	E	1020818	Switch, Red Flex Ribbon (Tape) Reset	1	1
14	F	1123276	Kit, Switch, Black Egg Reset w/ Hook/Loop Adhesive Back Fastener & Attaching Screws (EGSBLK)	1	1
15		1109091-NLA	NLA - Programmer, Remote	1	1
	B,C	1064404-NLA	NLA - Virtual Service Modem Kit	1	1
	B,D	1091631-NLA	NLA - Virtual Service Software Kit	1	1
	B,C	1103051-NLA	NLA - MKIV One 2 One Software Kit	1	1
	B	1095204-NLA	NLA - Cable, Virtual Service, Charger/Modem	1	1
	B	1091980-NLA	NLA - Disk, 3.5 H.D. Floppy with V.S. Software	1	1
	B	1091637-NLA	NLA - Adaptor, Null Modem	1	1
	B	1091636-NLA	NLA - Service Manual - V.S. Software Kit	1	1

NOTE: A - Includes items 8-13
 B - Not Shown
 C - Part number 1095204 is not available for individual sale
 D - Part numbers 1095204, 1091980, 1091637 and 1091636 are available for individual sale
 E - Before 5/24/04
 F - Not Shown. After 5/23/04 the Egg Reset Switch replaced the Red Flex Ribbon (Tape) Reset Switch
 G - Part number 1110665 item #12 is no longer available for individual sale. Order item #7 as a replacement.

Controller, Harness, Cables, Programmer and Hardware MKIV Quad Pulse

Effective 12/19/03, MK5 NX-80 replaced MKIV RII as standard electronics on 400 Lb. limit chairs and PTO seating system chairs.

Effective 4/1/04, MK5 NX-80 replaced MKIV RII as standard electronics on 300 Lb. limit chairs.



Controller, Harness, Cables, Programmer and Hardware MKIV Quad Pulse

Effective 12/19/03, MK5 NX-80 replaced MKIV RII as standard electronics on 400 Lb. limit chairs and PTO seating system chairs.

Effective 4/1/04, MK5 NX-80 replaced MKIV RII as standard electronics on 300 Lb. limit chairs.

Item Number	Note	Part Number	Description	Quantity Per	
				Package	Assembly
1		1116608-NLA	NLA - Shroud, MKIV Controller	1	1
2		1114308	Screw, Phillips Pan Head Tap (#10-32 x 1/2")	1	2
3		1042484-NLA	NLA - Screw, Hex Head (5/16-18 x 2")	1	2
4		1117042	Controller, MKIV Quad Pulse	1	1
5		1026158	Locknut (5/16-18)	1	1
6		1116430-NLA	NLA - Bracket, Port, Black	1	1
7		1037373-NLA	NLA - Cover, Splash	1	1
8		1040226-NLA	NLA - Rivet, Nylon	1	1
9		1074983-NLA	NLA - Cable, Limit Switch Sensor	1	1
10		1094872	Cable Option with Phono Jack	1	1
11		1092912-NLA	NLA - Programmer Extension Cable Assembly (18" Long)	1	1
12	E	1116613-NLA	NLA - Cable, Joystick Jumper	1	1
13		1116609-NLA	NLA - Harness, Wire, MKIV Quad Pulse, M91	1	1
14		1101099-NLA	NLA - Fuse, Buss ATC-20 (20 AMP)	1	1
15		1090117-NLA	NLA - Fuse - Buss Mini ATM-15 (15 AMP)	1	1
16	A,H	1112783-NLA	NLA - Bracket with Hardware, Controller, M91/M94	1	1
17			NLA - Screw (#8-32 x 1/2")	1	1
18			NLA - Screw, Hex Head (5/16-18 x 3/4")	1	1
19			Washer, Steel (5/16 x 3/4 x 1/16")	1	1
20			Locknut (5/16-18)	1	1
21			NLA - Bracket, Controller Mounting, Black	1	1
			Tie Wrap (11-1/2" L)	1	1
22	F	1020818	Switch, Red Flex Ribbon (Tape) Reset	1	1
22	G	1123276	Kit, Switch, Black Egg Reset w/ Hook/Loop Adhesive Back Fastener & Attaching Screws (EGSBLK)	1	1
23		1109091-NLA	NLA - Programmer, Remote	1	1
	B,C	1064404-NLA	NLA - Virtual Service Modem Kit	1	1
	B,D	1091631-NLA	NLA - Virtual Service Software Kit	1	1
	B,C	1103051-NLA	NLA - MKIV One 2 One Software Kit	1	1
	B	1095204-NLA	NLA - Cable, Virtual Service, Charger/Modem	1	1
	B	1091980-NLA	NLA - Disk, 3.5 H.D. Floppy with V.S. Software	1	1
	B	1091637-NLA	NLA - Adaptor, Null Modem	1	1
	B	1091636-NLA	NLA - Service Manual - V.S. Software Kit	1	1

Controller, Harness, Cables, Programmer and Hardware MKIV Quad Pulse

Effective 12/19/03, MK5 NX-80 replaced MKIV RII as standard electronics on 400 Lb. limit chairs and PTO seating system chairs.

Effective 4/1/04, MK5 NX-80 replaced MKIV RII as standard electronics on 300 Lb. limit chairs.

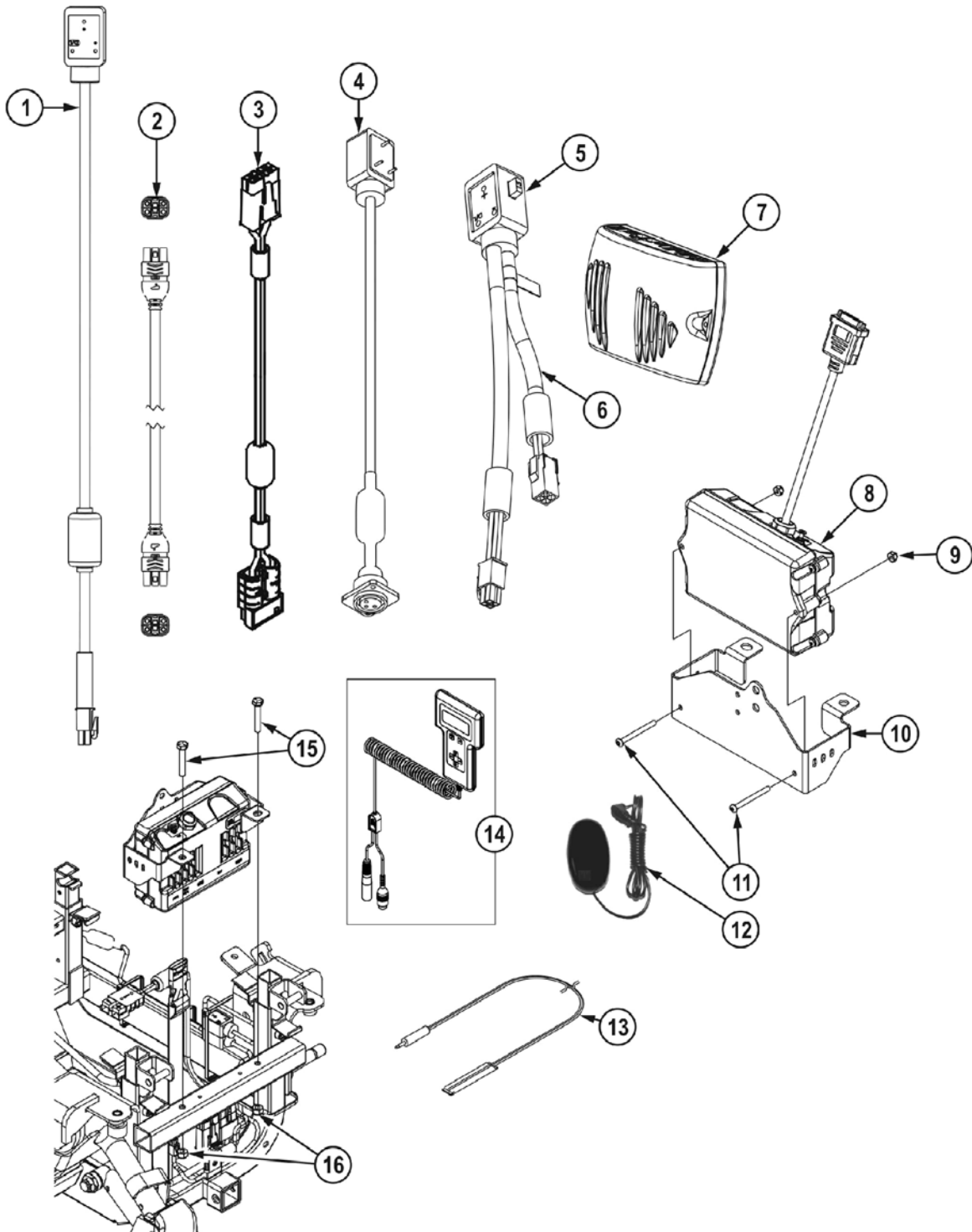
NOTE: A - Includes items 17-21
B - Not Shown
C - Part number 1095204 is not available for individual sale
D - Part numbers 1095204, 1091980, 1091637 and 1091636 are available for individual sale
E - Joystick jumper cable is not used when a Power Tilt Only (PTO) seating system is present
F - Before 5/24/04
G - Not Shown. After 5/23/04 the Egg Reset Switch replaced the Red Flex Ribbon (Tape) Reset Switch
H - Part number 1110665 item #21 is no longer available for individual sale. Order item #16 as a replacement. Tie Wrap (not shown) is used for other Controller applications.

Controller, Cables, Programmer & Hardware

MK5 NX-75, MK5 NX-80 and MK5 EX

Effective 12/19/03, MK5 NX-80 replaced MKIV RII as standard electronics on 400 Lb. limit chairs and PTO seating system chairs.

From 4/01/04 to 8/08/05 MK5 NX-80 was standard electronics on 300 Lb. limit chairs. As of 8/09/05 MK5 NX-75 is available on 300 Lb. limit chairs.



Controller, Cables, Programmer & Hardware

MK5 NX-75, MK5 NX-80 and MK5 EX

Effective 12/19/03, MK5 NX-80 replaced MKIV RII as standard electronics on 400 Lb. limit chairs and PTO seating system chairs.

From 4/01/04 to 8/08/05 MK5 NX-80 was standard electronics on 300 Lb. limit chairs. As of 8/09/05 MK5 NX-75 is available on 300 Lb. limit chairs.

Item Number	Note	Part Number	Description	Quantity Per	
				Package	Assembly
1	A	1119418	Cable, Auxiliary Power	1	1
2	B	1127293	Cable, Joystick SPJ+	1	1
3		1122199	Cable, Battery Extension, Red Connector	1	1
4	A	1114500-NLA	NLA - Cable Option with Charger Connector	1	1
5		1090117-NLA	NLA - Fuse - Buss Mini ATM-15 (15 AMP)	1	1
6	C	1127429-NLA	NLA - Cable, Splitter Auxiliary Power	1	1
7	D,E	1126182-NLA	NLA - Controller, MK5 NX-75	1	1
8	F	1122191-NLA	NLA - Controller, MK5 NX-80	1	1
8	G	1115750-NLA	NLA - Controller, MK5 EX	1	2
9	H	1025731	Locknut (#10-32)	1	2
9	D	1056098	Locknut (#8-32)	1	2
10	K	1110665-NLA	NLA - Bracket, Controller Mounting, Black	1	1
	K	1112783-NLA	NLA - Bracket with Hardware, Controller, M91/M94	1	1
			NLA - Screw (#8-32 x 1/2")	1	1
			NLA - Screw, Hex Head (5/16-18 x 3/4")	1	1
			Washer, Steel (5/16 x 3/4 x 1/16")	1	1
			Locknut (5/16-18)	1	1
10			NLA - Bracket, Controller Mounting, Black	1	1
			Tie Wrap (11-1/2" L)	1	1
11	H	1121493-NLA	NLA - Screw, Socket Button Head (10-32 x 2")	1	2
11	D	1127352	Screw, Phillips Pan Head (#8-32 x 1")	1	2
12	I	1123276	Kit, Switch, Black Egg Reset w/ Hook/Loop Adhesive Back Fastener & Attaching Screws (EGSBLK)	1	1
13	J	1020818	Switch, Red Flex Ribbon (Tape) Reset	1	1
14		1109091-NLA	NLA - Programmer, Remote	1	1
15		1044939-NLA	NLA - Screw, Hex Head (5/16-18 x 1-3/4")	1	2
16		1026158	Locknut (5/16-18)	1	2
	K	1095204-NLA	NLA - Cable, Virtual Service, Charger/Modem	1	1

Controller, Cables, Programmer & Hardware

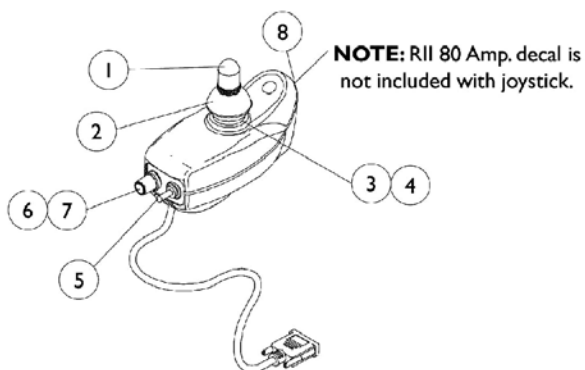
MK5 NX-75, MK5 NX-80 and MK5 EX

Effective 12/19/03, MK5 NX-80 replaced MKIV RII as standard electronics on 400 Lb. limit chairs and PTO seating system chairs.

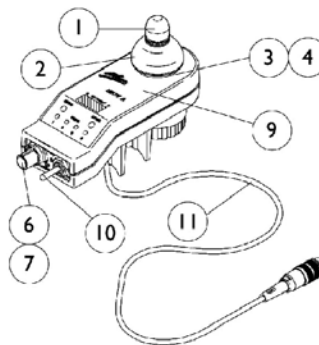
From 4/01/04 to 8/08/05 MK5 NX-80 was standard electronics on 300 Lb. limit chairs. As of 8/09/05 MK5 NX-75 is available on 300 Lb. limit chairs.

NOTE: A - These items are only required when using on board charger p/n 1123102. This would apply to Non PTO chairs built Before 11/01/04 and PTO Plus chairs built between 7/15/04 and 5/31/05.
B - Used on NX-80 or EX 80 only.
C - Used only when PTO Plus is present. Item 4 (fuse) is included.
D - Used on MK5 NX-75 controller
E - After 8/08/05
F - Standard on 400 Lb. limit chairs and chairs w/ PTO Seating System as of 12/19/03; Standard on 300 Lb. limit chairs between 4/1/04 and 8/8/05.
G - Available as an upgrade on all M91 chairs before 8/9/05.
H - Used on MK5 NX-80 and MK5 EX controllers
I - Not Shown. After 5/23/04 the Egg Reset Switch replaced the Red Flex Ribbon (Tape) Reset Switch
J - Before 5/24/04
K - Part #1110665 is no longer available for sale individually. Order kit part #1112783 Controller Bracket with Hardware. Kit Hardware inside carton is for other Controller applications. Order 2 ea. of items 9 & 11 also depending on Controller type used.

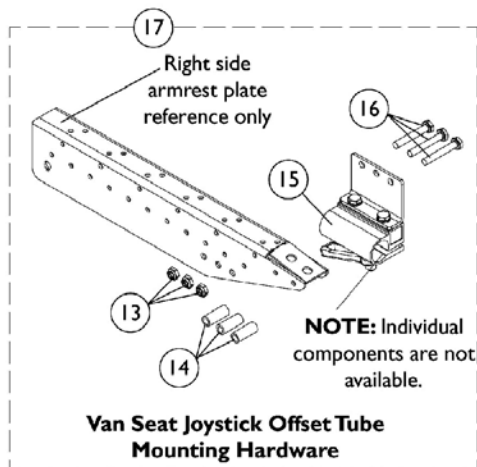
MKIV RII and MKIV A Joysticks & Mounting Hardware



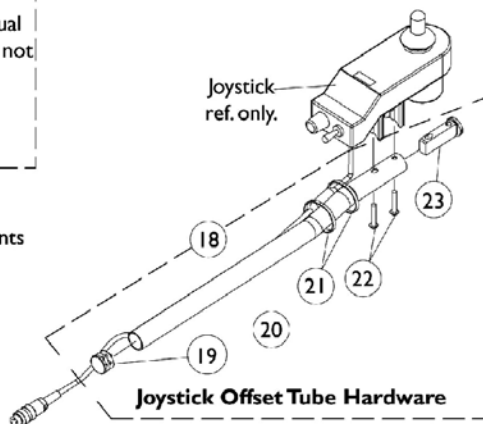
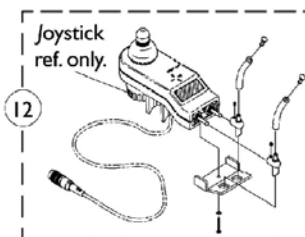
1107267
RII Joystick



1065944
A Joystick



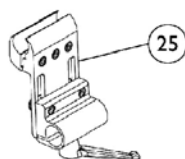
Van Seat Joystick Offset Tube Mounting Hardware



Joystick Offset Tube Hardware



Fixed Height Joystick Offset Tube Clamp Assembly



Adjustable Height Joystick Offset Tube Clamp Assembly

MKIV RII and MKIV A Joysticks & Mounting Hardware

Item Number	Note	Part Number	Description	Quantity Per	
				Package	Assembly
1		1040217	Knob, Joystick Rubber, Black	1	1
2		1040218	Skirt, Joystick Rubber, Black	1	1
3	L	1036764-NLA	NLA - Inductive, Joystick	1	1
3	F	1104397-NLA	NLA - Inductive, Joystick	1	1
4		50000X364-NLA	NLA - Boot, Joystick	1	1
5	K	1010042-NLA	NLA - Switch, Toggle SPDT	1	1
6	L	1040225-NLA	NLA - Potentiometer, Speed	1	1
6	F	1115518-NLA	NLA - Potentiometer, Speed	1	1
7		1025516-NLA	NLA - Knob, Speed Control	1	1
8		1108692-NLA	NLA - Decal, RII 80 Amp	1	1
9		1040190-NLA	NLA - Overlay, Joystick Decal A Joystick	1	1
10	F	1115523-NLA	NLA - Switch, On/ Off Momentary	1	1
11	F	1104205-NLA	NLA - Cable Assembly	1	1
12	B	1055736-NLA	NLA - Kit, Toggle Switch Extension	1	1
13		1025195	NLA - Locknut (1/4-20)	1	3
14		1087219	Spacer (1/4 x 3/8 x 1")	1	3
15	H	1105049	Clamp Assembly, Fixed Height, Captain/ Van Seat	1	1
16		1037610	Screw, Hex Head (1/4-20 x 1-5/8")	1	3
17	A,H	1115000	Kit, Joystick Tube Mounting Hardware - Captain Seat	1	1
18	C	1093069	Kit, 1/2" Offset Joystick Tube with Hardware	1	1
18	G	1161733	Kit, 2" Offset Joystick Tube w/ Hardware	1	1
19			Plug Button, Black (7/8")	1	1
20			Tube, Joystick Offset (2")	1	1
21			Tie Wrap (11-1/2" L)	1	2
22			Screw, Phillips Pan Head (#10-32 x 1-1/8")	1	2
22			Screw, Phillips Pan Head (M5 x .8 x 30mm)	1	2
23			Spacer, Joystick Tube, Black	1	1
19		1027095	Plug Button, Black (7/8")	1	1
21		1095502-NLA	NLA - Package, Tie Wrap (11-1/2" L)	10	1
24		1093071	Clamp, Fixed Height Joystick Tube	1	1
25	M	1139422	Clamp, Height Adjustable Joystick Tube (ARM250)	1	1
	D,E,I,J	1107267-NLA	NLA - Joystick, MKIV RII	1	1
	D,J	1065944-NLA	NLA - Joystick, "A"	1	1

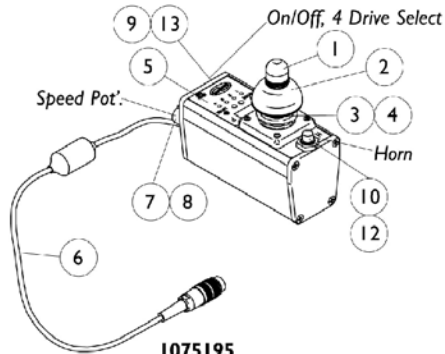
MKIV RII and MKIV A Joysticks & Mounting Hardware

NOTE: A - Includes items 13 thru 16.
B - MKIV A joystick only
C - Used for A.S.B.A. seats and Includes items 19 thru 23.
D - See pictorial for reference
E - Item 8 RII 80 amp. decal is not included
F - MKIV A - item has a non-solder connector
G - Used for Van Seats and includes items 19 thru 23. Kits contains Standard (#10-32) and Metric (M5) screws. Customer selects screw that applies to their application.
H - Due to product improvement, the joystick mounting bracket with a separate adjustment lock were replaced with the clamp assembly shown as of 2/20/03 and is backward compatible.
I - As of 1/31/03 MKIV RII joystick was made with a longer cable and serves as a direct replacement for chairs made before 1/31/03
J - When upgrading MKIV RII electronics to "A" electronics also order wiring harness part no. 1116609. This harness allows charging capabilities since "A" joystick does not have this.
K - Item requires soldering.
L - MKIV RII - item requires soldering.
M - Introduced as an option (ARM250) and can be used to replace a Fixed Height Joystick Clamp.

MKIV Joysticks

PSF and PSR

NOTE: PSR STANDARD joystick configuration below show the on/off switch on the left side for part # 1075196. When the on/off switch is required on the right side, refer to part number 8881075196 and order as a configured part.



**1075195
PSF Joystick**

STANDARD: This PSR joystick includes a toggle on/off combined with a drive select and a push button horn. No speed selector.

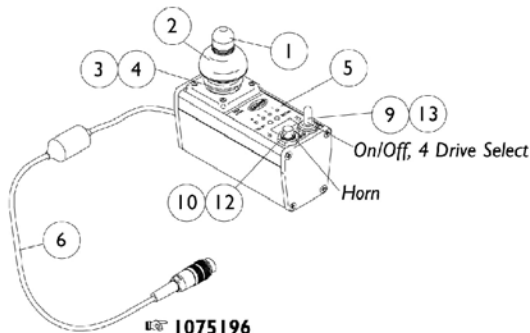
PBOD: This PSR joystick includes push button on/off with a push button drive select. This gives you access to the four drives, but no horn and no speed select.

RHSS: This PSR joystick replaces the horn with a speed selector. This allows you to deviate from having a horn to having a speed select dial, plus the drive selector to the four drives.

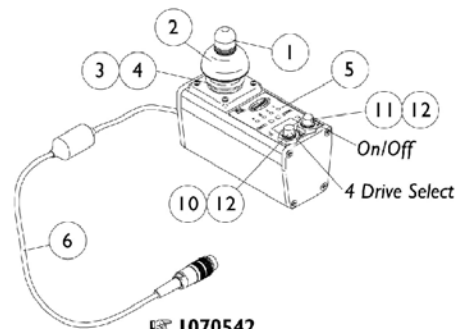
TOHSS: This PSR joystick includes a toggle on/off with horn and a speed select dial. You have access to only one drive.

OL: On/Off positioned on left side of the PSR joystick.

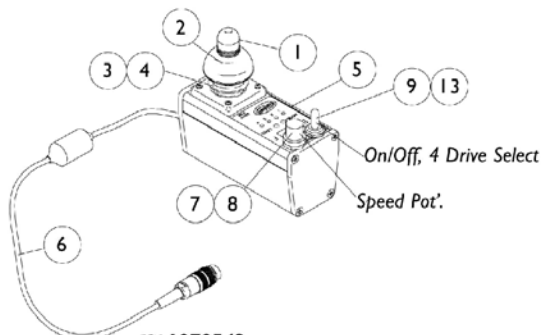
OR: On/Off positioned on right side of the PSR joystick.



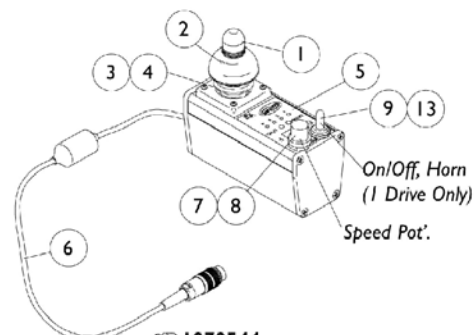
**1075196
PSR Joystick
ON CHAIR: STANDARD**



**1070542
PSR Joystick without Horn
ON CHAIR: PBOD/OL**



**1070543
PSR Joystick without Horn
ON CHAIR: RHSS/OL**



**1070544
PSR Joystick
ON CHAIR: TOHSS/OL**

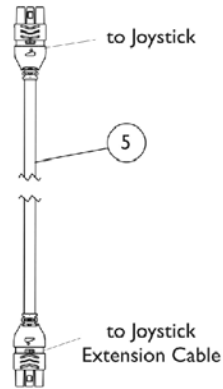
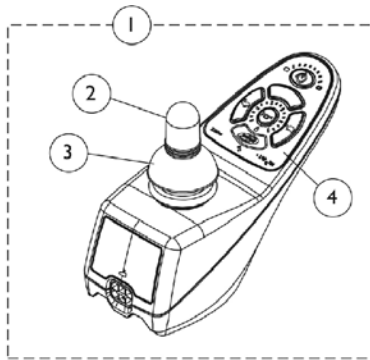
MKIV Joysticks PSF and PSR

NOTE: PSR STANDARD joystick configuration below show the on/off switch on the left side for part # 1075196. When the on/off switch is required on the right side, refer to part number 8881075196 and order as a configured part.

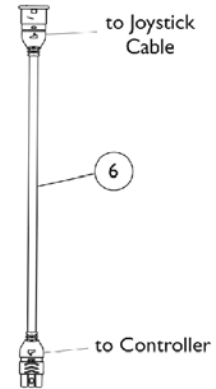
Item Number	Description	PSF	PSR
See Pictorial	Joystick Assembly	N/A	1075196
See Pictorial	Joystick Assembly	1075195-NLA	8881075196
See Pictorial	Joystick Assembly	N/A	1070542-NLA
See Pictorial	Joystick Assembly	N/A	1070543-NLA
See Pictorial	Joystick Assembly	N/A	1070544-NLA
1	Knob, Joystick	1040217	1040217
2	Skirt, Joystick	1040218	1040218
3	Inductive, Joystick	1036764-NLA	1036764-NLA
4	Boot, Joystick	50000X364-NLA	50000X364-NLA
5	Overlay, Joystick Decal	1075034-NLA	1079925-NLA
6	Cable Assembly	1036750-NLA	1036750-NLA
7	Potentiometer, Speed	1040225-NLA	1040225-NLA
8	Knob, Potentiometer	1025516-NLA	1025516-NLA
9	Switch, On/Off Momentary	1040185-NLA	1040185-NLA
10	Switch, Push Button SPST Momentary	1010047-NLA	1010047-NLA
11	Switch, Push Button SPST	N/A	1010048-NLA
12	Boot, Switch	1010049-NLA	1010049-NLA
13	Boot, Switch	1058464-NLA	1058464-NLA

MK5 SPJ+ Joystick and Mounting Hardware

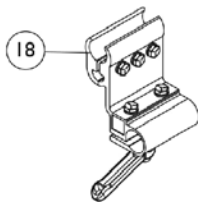
Introduced 8/09/05



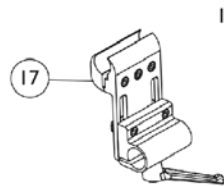
Joystick Cable



Joystick Extension Cable



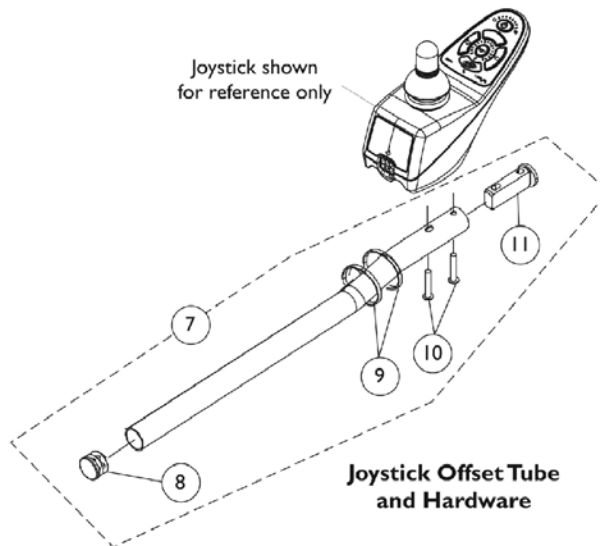
**ASBA Seat, Fixed Height
Joystick Offset Tube
Clamp Assembly**



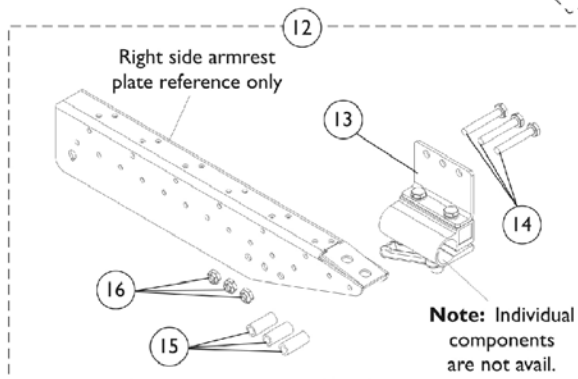
**ASBA Seat, Adjustable Height
Joystick Offset Tube
Clamp Assembly**

Individual components
are not available

Joystick shown
for reference only



**Joystick Offset Tube
and Hardware**



**Van Seat Joystick Offset Tube
Mounting Hardware**

Note: Individual
components
are not avail.

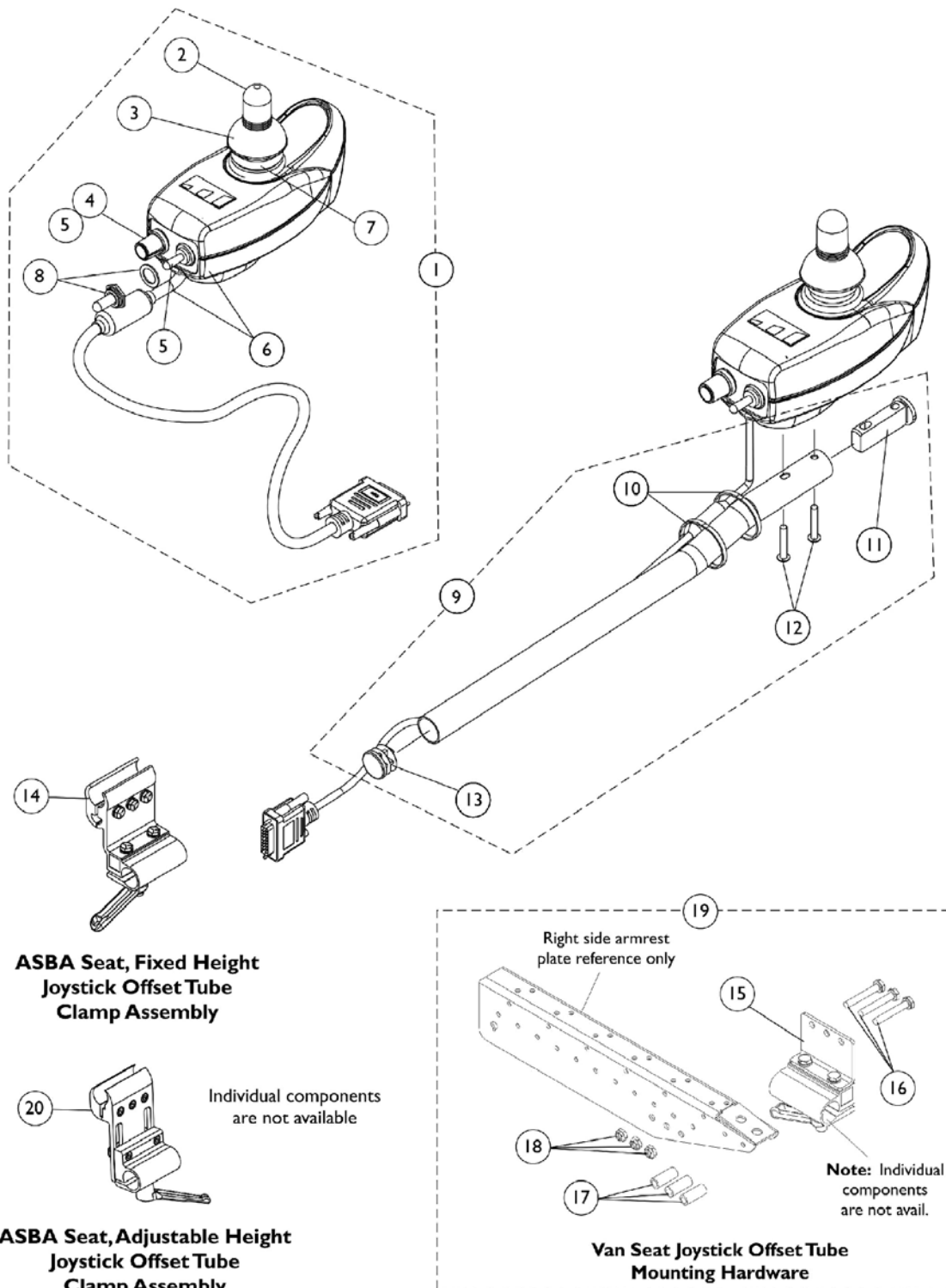
MK5 SPJ+ Joystick and Mounting Hardware

Introduced 8/09/05

Item Number	Note	Part Number	Description	Quantity Per	
				Package	Assembly
1	A,G	1127291	Joystick, SPJ+	1	1
2		1040217	Knob, Joystick Rubber, Black	1	1
3		1040218	Skirt, Joystick Rubber, Black	1	1
4		1165094	Kit, Overlay, SPJ+ Joystick (MK5/MK6)	1	1
			NLA - Overlay, SPJ+ Joystick	1	1
			Instruction Sheet, MK5/MK6 Overlay	1	1
5		1127293	Cable, Joystick SPJ+	1	1
6		1116404	Cable, Joystick Extension	1	1
7	B	1093069	Kit, 1/2" Offset Joystick Tube with Hardware	1	1
8		1027095	Plug Button, Black (7/8")	1	1
9		1095502-NLA	NLA - Package, Tie Wrap (11-1/2" L)	10	1
10		1025714	Screw, Phillips Pan Head (#10-32 x 1-1/8")	1	2
11		1093063	Spacer, Joystick Tube, Black	1	1
7	E	1161733	Kit, 2" Offset Joystick Tube w/ Hardware	1	1
8			Plug Button, Black (7/8")	1	1
9			Tie Wrap (11-1/2" L)	1	2
10			Screw, Phillips Pan Head (#10-32 x 1-1/8")	1	2
10			Screw, Phillips Pan Head (M5 x .8 x 30mm)	1	2
11			Spacer, Joystick Tube, Black	1	1
			Tube, Joystick Offset (2")	1	1
12	C	1115000	Kit, Joystick Tube Mounting Hardware - Captain Seat	1	1
13		1105049	Clamp Assembly, Fixed Height, Captain/ Van Seat	1	1
14		1037610	Screw, Hex Head (1/4-20 x 1-5/8")	1	3
15		1087219	Spacer (1/4 x 3/8 x 1")	1	3
16		1025195	NLA - Locknut (1/4-20)	1	3
17	F	1139422	Clamp, Height Adjustable Joystick Tube (ARM250)	1	1
18		1093071	Clamp, Fixed Height Joystick Tube	1	1
	D	1006270	Extension, Joystick, "T" Style (1560) (4" W x 5-1/2" L)	1	1
	D	1006271	Extension, Joystick, Straight Style (1561) (1/2" W x 5" L)	1	1
<p>NOTE: A - Includes Joystick plus items 2 thru 4. B - Used on A.S.B.A. seats. Includes Joystick Tube plus items 8 thru 11. Kit includes Standard (#10-32) and Metric (M5). Customer selects the screw that applies to their application. C - Includes items 13 thru 16. D - Not Shown. E - Used on Van seats. Includes Joystick Tube plus items 8 thru 11. Kit contains Standard (#10-32) and Metric (M5) screws. Customer selects screw that applies to their application. F - Introduced as an option (ARM250) and can be used to replace a Fixed Height Joystick Clamp. G - Before replacing your joystick, verify with Invacare Technical Service Phone Support first to see if only a Joystick Overlay Kit is needed</p>					

MK5 SPJ-80 Joystick and Mounting Hardware

Introduced 12/19/03

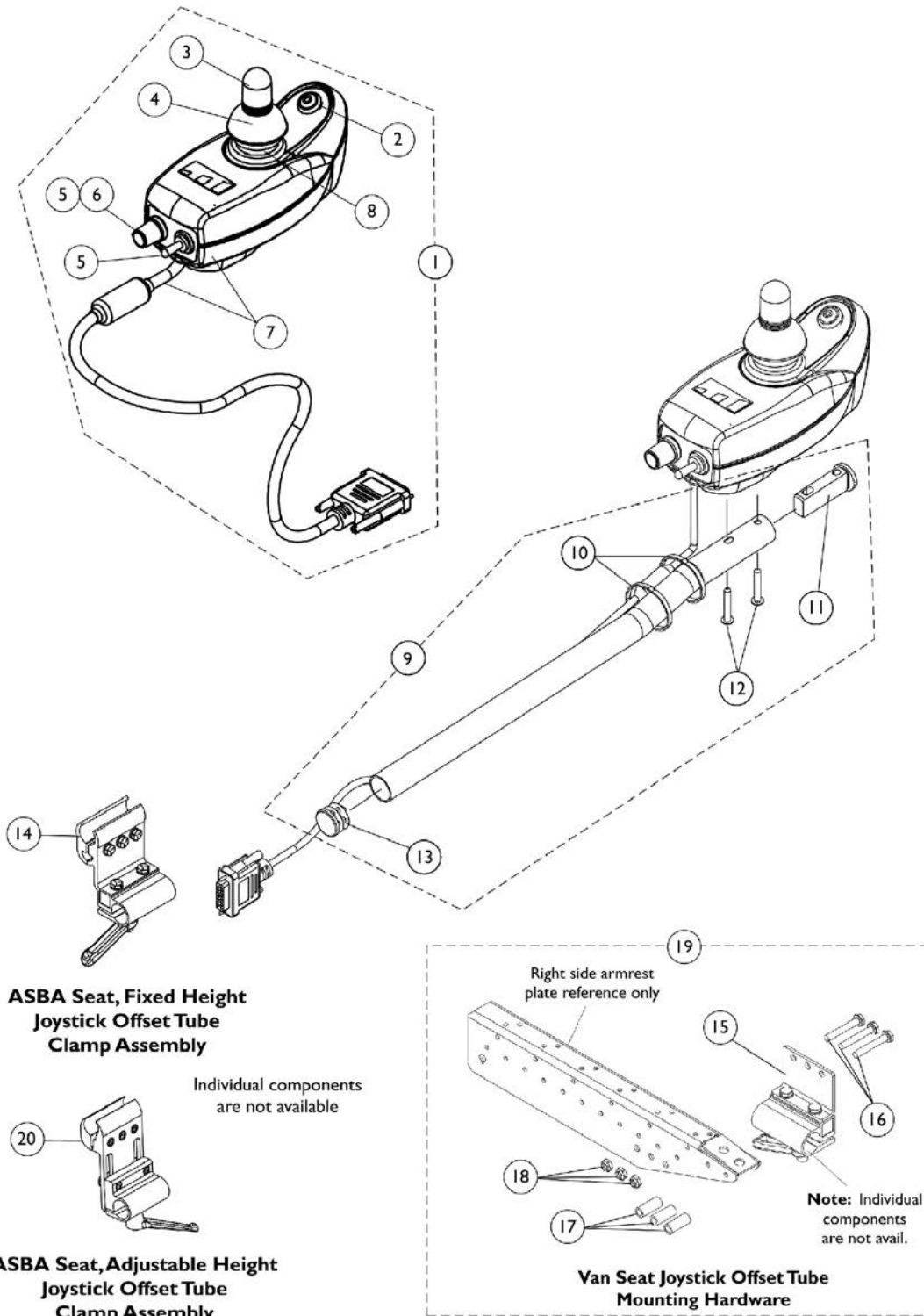


MK5 SPJ-80 Joystick and Mounting Hardware

Introduced 12/19/03

Item Number	Note	Part Number	Description	Quantity Per	
				Package	Assembly
1	A	1122190-NLA	NLA - Joystick, MK5 SPJ-80	1	1
1	A,F	1122190E-NLA	NLA - WARR RPLMT - Joystick, MK5 SPJ-80	1	1
2		1040217	Knob, Joystick Rubber, Black	1	1
3		1040218	Skirt, Joystick Rubber, Black	1	1
4		1025516-NLA	NLA - Knob, Speed Control	1	1
5		1122204-NLA	NLA - Switch Assembly, Power/ Speed Potentiometer, NOTE: Power and Speed Potentiometer Switches are assembled to one connector and sold as one assembly.	1	1
6		1119443-NLA	NLA - Bottom Housing w/ Cable Assembly, MK5 DPJ/ SPJ-80	1	1
7		1115235-NLA	NLA - Inductive, MK5 MPJ/ DPJ/ SPJ-80 Joystick	1	1
8		1058464-NLA	NLA - Boot, Switch	1	1
9	B	1093069	Kit, 1/2" Offset Joystick Tube with Hardware	1	1
10		1095502-NLA	NLA - Package, Tie Wrap (11-1/2" L)	10	2
11		1093063	Spacer, Joystick Tube, Black	1	1
12		1025714	Screw, Phillips Pan Head (#10-32 x 1-1/8")	1	2
13		1027095	Plug Button, Black (7/8")	1	1
14		1093071	Clamp, Fixed Height Joystick Tube	1	1
15		1105049	Clamp Assembly, Fixed Height, Captain/ Van Seat	1	1
16		1037610	Screw, Hex Head (1/4-20 x 1-5/8")	1	3
17		1087219	Spacer (1/4 x 3/8 x 1")	1	3
18		1025195	NLA - Locknut (1/4-20)	1	3
19	C	1115000	Kit, Joystick Tube Mounting Hardware - Captain Seat	1	1
20	E	1139422	Clamp, Height Adjustable Joystick Tube (ARM250)	1	1
	D	1006270	Extension, Joystick, "T" Style (1560) (4" W x 5-1/2" L)	1	1
	D	1006271	Extension, Joystick, Straight Style (1561) (1/2" W x 5" L)	1	1
<p>NOTE: A - Includes items 2-8 B - Includes items 10-13 C - Includes items 15-18 D - Not Shown E - Introduced as an option (ARM250) and can be used to replace a Fixed Height Joystick Clamp. F - Upgrade to MK6 is available. See category titled, "MK5 SPJ-80 Upgrade to MK6" within Electronics MK6i parts book.</p>					

MK5 DPJ Joystick and Mounting Hardware (Introduced 12/19/03)

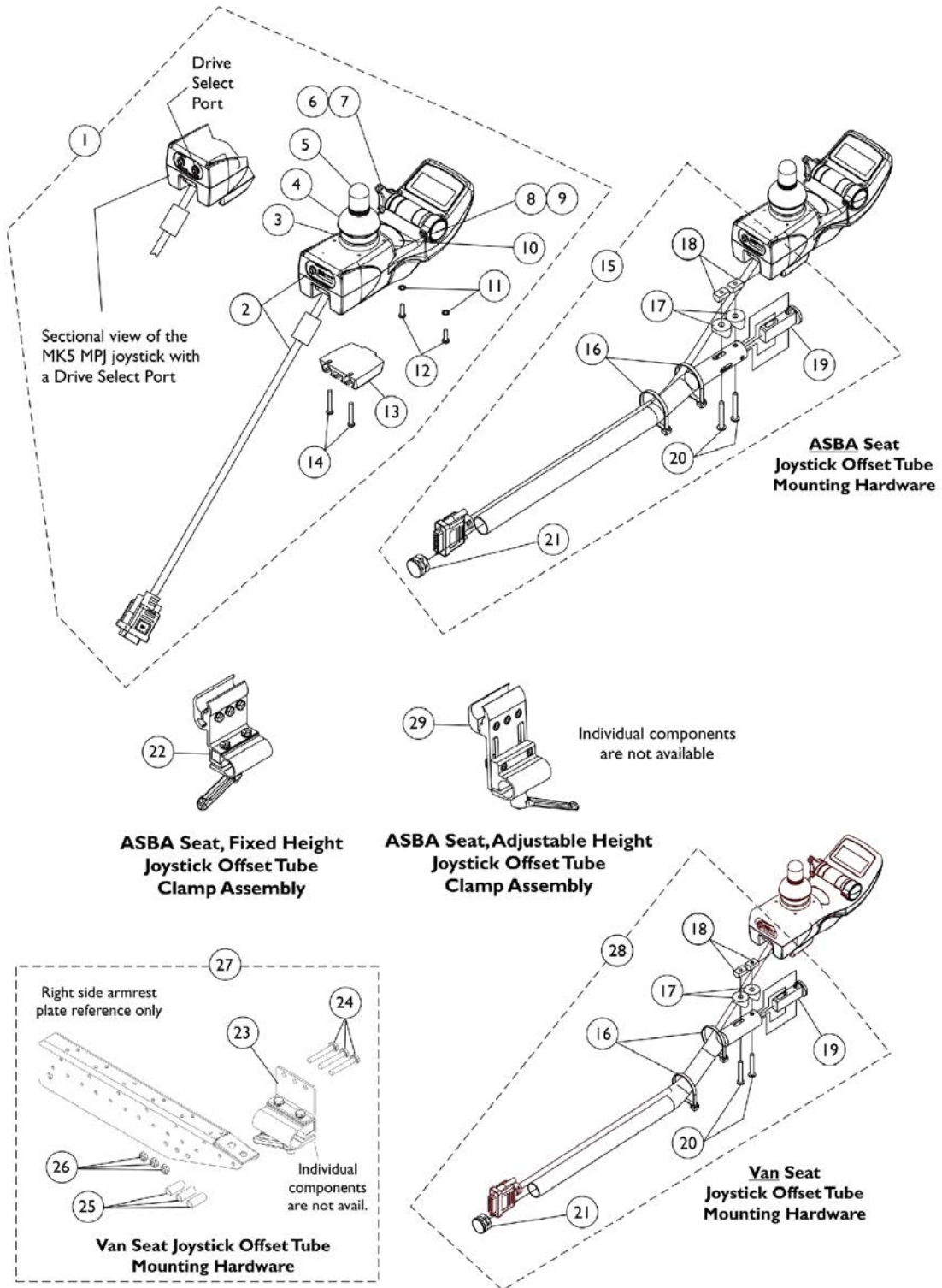


MK5 DPJ Joystick and Mounting Hardware (Introduced 12/19/03)

Item Number	Note	Part Number	Description	Quantity Per	
				Package	Assembly
1	A,G D,H	1112980E-NLA	NLA - WARR RPLMT - Joystick, MK5 DPJ	1	1
		1165489-NLA	NLA - Kit, MK5 DPJ to MPJ Conversion	1	1
			NLA - Joystick, MK5 MPJ	1	1
			NLA - Joystick Offset Tube w/ Hardware, Black (1/2")	1	1
2	F	1119441-NLA	NLA - Switch Assembly, Mode	1	1
3		1040217	Knob, Joystick Rubber, Black	1	1
4		1040218	Skirt, Joystick Rubber, Black	1	1
5		1025516-NLA	NLA - Knob, Speed Control	1	1
6		1119440-NLA	NLA - Switch Assembly, Power/ Drive Select/Speed Potentiometer NOTE:Power/Drive Select and Speed Potentiometer switches are assembled to one connector and sold as one assembly	1	1
7		1119443-NLA	NLA - Bottom Housing w/ Cable Assembly, MK5 DPJ/ SPJ-80	1	1
8		1115235-NLA	NLA - Inductive, MK5 MPJ/ DPJ/ SPJ-80 Joystick	1	1
9	B	1093069	Kit, 1/2" Offset Joystick Tube with Hardware	1	1
10		1095502-NLA	NLA - Package, Tie Wrap (11-1/2" L)	10	2
11		1093063	Spacer, Joystick Tube, Black	1	1
12		1025714	Screw, Phillips Pan Head (#10-32 x 1-1/8")	1	2
13		1027095	Plug Button, Black (7/8")	1	1
14		1093071	Clamp, Fixed Height Joystick Tube	1	1
15		1105049	Clamp Assembly, Fixed Height, Captain/ Van Seat	1	1
16		1037610	Screw, Hex Head (1/4-20 x 1-5/8")	1	3
17		1087219	Spacer (1/4 x 3/8 x 1")	1	3
18		1025195	NLA - Locknut (1/4-20)	1	3
19	C	1115000	Kit, Joystick Tube Mounting Hardware - Captain Seat	1	1
20	E	1139422	Clamp, Height Adjustable Joystick Tube (ARM250)	1	1
	D	1006270	Extension, Joystick, "T" Style (1560) (4" W x 5-1/2" L)	1	1
	D	1006271	Extension, Joystick, Straight Style (1561) (1/2" W x 5" L)	1	1

NOTE: A - Includes items 2-8. Hardware not included.
 B - Includes items 10-13.
 C - Includes items 15-18.
 D - Not Shown
 E - Introduced as an option (ARM250) and can be used to replace a Fixed Height Joystick Clamp.
 F - Mode switch is no longer available for aftermarket sales. Please contact Invacare Customer Service to obtain a return authorization number for repair/estimate for repair.
 G - No longer available. Replaced with 1165489.
 H - Kit is No Longer Available. You must now order the MK5 MPJ Joystick separately from the Mounting Hardware. Choose either the Joystick Tube w/ Hardware or the Quad Link w/ Hardware. See Category titled, "Electronics - MK5 MPJ Joystick & Mounting Hardware".

MK5 MPJ Joystick & Mounting Hardware (Introduced 12/19/03)



MK5 MPJ Joystick & Mounting Hardware (Introduced 12/19/03)

Item Number	Note	Part Number	Description	Quantity Per	
				Package	Assembly
1	A	1115740-NLA	NLA - Joystick, MK5 MPJ	1	1
1	A	1115740E-NLA	NLA - WARR RPLMT - Joystick, MK5 MPJ	1	1
1	A	1122214-NLA	NLA - Joystick, MK5 MPJ with Drive Select Port	1	1
2		1117038-NLA	NLA - Joystick Bottom and Cable Assembly, MK5 MPJ	1	1
3		1115235-NLA	NLA - Inductive, MK5 MPJ/ DPJ/ SPJ-80 Joystick	1	1
4		1040218	Skirt, Joystick Rubber, Black	1	1
5		1040217	Knob, Joystick Rubber, Black	1	1
6		1115237-NLA	NLA - Switch Assembly, Power/ Drive Select MK5 MPJ	1	1
7		1115214-NLA	NLA - Knob, Power/Drive Select - MK5/MK6i MPJ	1	1
8		1115239-NLA	NLA - Potentiometer Assembly, Speed MK5 MPJ	1	1
9		1115233-NLA	NLA - Knob, Speed Potentiometer - MK5 MPJ	1	1
9		1139998-NLA	NLA - Knob, Speed Adjustment, Black - MK6i	1	1
10		1095497	Decal, Invacare Logo (1.6)	1	1
11		1008834-NLA	NLA - Lockwasher, Internal Tooth (#6)	1	2
12		1115242-NLA	NLA - Screw, Torx Thread Forming (#6-32 x 1/2")	1	2
13		1115503-NLA	NLA - Bracket, T-Nut Mounting	1	1
14		1115244	Screw, Torx Thread Forming (#6-32 x 1")	1	2
15	B	1115860-NLA	NLA - Joystick Offset Tube w/ Hardware, Black (1/2")	1	1
16		1095502-NLA	NLA - Package, Tie Wrap (11-1/2" L)	10	2
17		40157X019-NLA	NLA - Spacer, Coved (1/4 x 7/8 x 7/16")	1	2
18		1117216-NLA	NLA - T-Nut (#10-32)	1	2
19		1093063	Spacer, Joystick Tube, Black	1	1
20		1026107	Screw, Phillips Pan Head (#10-32 x 1-3/8")	1	2
21		1027095	Plug Button, Black (7/8")	1	1
22		1093071	Clamp, Fixed Height Joystick Tube	1	1
23		1105049	Clamp Assembly, Fixed Height, Captain/ Van Seat	1	1
24		1037610	Screw, Hex Head (1/4-20 x 1-5/8")	1	3
25		1087219	Spacer (1/4 x 3/8 x 1")	1	3
26		1025195	NLA - Locknut (1/4-20)	1	3
27	C	1115000	Kit, Joystick Tube Mounting Hardware - Captain Seat	1	1
28	B	1123922-NLA	NLA Joystick Offset Tube w/ Hardware, Black (2")	1	1
29	E	1139422	Clamp, Height Adjustable Joystick Tube (ARM250)	1	1
	D	1006270	Extension, Joystick, "T" Style (1560) (4" W x 5-1/2" L)	1	1
	D	1006271	Extension, Joystick, Straight Style (1561) (1/2" W x 5" L)	1	1

NOTE: A - Includes items 2-14
B - Includes Joystick Tube plus items 16-21
C - Includes items 23-26
D - Not Shown
E - Introduced as an option (ARM250) and can be used to replace a Fixed Height Joystick Clamp.

Quad Link Assembly (Before 4/07/06)

Item Number	Note	Part Number	Description	Quantity Per	
				Package	Assembly
1	A	1052402-NLA	NLA - Kit, Quad Link Assembly - Right	1	1
2			NLA - Ball Plunger Assembly with Lock Washer	2	1
3			Locknut (#10-32)	1	2
4			NLA - Screw, Cap, Socket Head (#10-32 x 1/2")	1	4
5			NLA - Bushing, Bronze (3/16 x 1/4 x 1/4")	1	4
6			Screw, Phillips Pan Head (#10-32 x 1-1/8")	1	4
7			Spacer, Joystick Tube, Black	1	1
8			NLA - Stud Plate, Quad Link	1	1
9			Screw, Hex Head (1/4-20 x 1-1/2")	1	3
10			NLA - Spacer (1/4 x 3/8 x 3/16")	1	3
11			Half Clamp, Non-Threaded Holes	1	1
12			NLA - Half Clamp, Threaded Holes	1	1
1	A	1115372-NLA	NLA - Kit, Quad Link Assembly - Left	1	1
2			NLA - Ball Plunger Assembly with Lock Washer	2	1
3			Locknut (#10-32)	1	2
4			NLA - Screw, Cap, Socket Head (#10-32 x 1/2")	1	4
5			NLA - Bushing, Bronze (3/16 x 1/4 x 1/4")	1	4
6			Screw, Phillips Pan Head (#10-32 x 1-1/8")	1	4
7			Spacer, Joystick Tube, Black	1	1
8			NLA - Stud Plate, Quad Link	1	1
9			Screw, Hex Head (1/4-20 x 1-1/2")	1	3
10			NLA - Spacer (1/4 x 3/8 x 3/16")	1	3
11			Half Clamp, Non-Threaded Holes	1	1
12			NLA - Half Clamp, Threaded Holes	1	1
1	B	1102027-NLA	NLA - Kit, Quad Link Assembly - Right For TCHJOY/TCPDM4 Touchpad	1	1
2			NLA - Ball Plunger Assembly with Lock Washer	2	1
3			Locknut (#10-32)	1	2
4			NLA - Screw, Cap, Socket Head (#10-32 x 1/2")	1	4
5			NLA - Bushing, Bronze (3/16 x 1/4 x 1/4")	1	4
6			Screw, Phillips Pan Head (#10-32 x 1-1/8")	1	2
8			NLA - Plate, Stud, Quad Link MKIV TCHJOY/TCPDM4	1	1
9			Screw, Hex Head (1/4-20 x 1-1/2")	1	3
10			NLA - Spacer (1/4 x 3/8 x 3/16")	1	3
11			Half Clamp, Non-Threaded Holes	1	1
12			NLA - Half Clamp, Threaded Holes	1	1
13			NLA - Screw, Phillips Flat Head Countersunk (#4-40 x 3/8")	1	4
1	C	1034703-NLA	NLA - Kit, Quad Link Assembly - Right	1	1
2			NLA - Ball Plunger Assembly with Lock Washer	2	1
3			Locknut (#10-32)	1	2
4			NLA - Screw, Cap, Socket Head (#10-32 x 1/2")	1	4
5			NLA - Bushing, Bronze (3/16 x 1/4 x 1/4")	1	4

Quad Link Assembly (Before 4/07/06)

Item Number	Note	Part Number	Description	Quantity Per	
				Package	Assembly
8			Plate, Stud, Quad Link For 1556 Heavy Duty Joystick	1	1
9			Screw, Hex Head (1/4-20 x 1-1/2")	1	3
10			NLA - Spacer (1/4 x 3/8 x 3/16")	1	3
11			Half Clamp, Non-Threaded Holes	1	1
12			NLA - Half Clamp, Threaded Holes	1	1
18			Screw, Phillips Flat Head (#10-32 x 1-1/8")	1	2
1	C	1114866-NLA	NLA - Kit, Quad Link Assembly - Left	1	1
2			NLA - Ball Plunger Assembly with Lock Washer	2	1
3			Locknut (#10-32)	1	2
4			NLA - Screw, Cap, Socket Head (#10-32 x 1/2")	1	4
5			NLA - Bushing, Bronze (3/16 x 1/4 x 1/4")	1	4
8			Plate, Stud, Quad Link For 1556 Heavy Duty Joystick	1	1
9			Screw, Hex Head (1/4-20 x 1-1/2")	1	3
10			NLA - Spacer (1/4 x 3/8 x 3/16")	1	3
11			Half Clamp, Non-Threaded Holes	1	1
12			NLA - Half Clamp, Threaded Holes	1	1
18			Screw, Phillips Flat Head (#10-32 x 1-1/8")	1	2
1	D	1117278-NLA	NLA - Kit, Quad Link Assembly - Right	1	1
2			NLA - Ball Plunger Assembly with Lock Washer	2	1
3			Locknut (#10-32)	1	2
4			NLA - Screw, Cap, Socket Head (#10-32 x 1/2")	1	4
5			NLA - Bushing, Bronze (3/16 x 1/4 x 1/4")	1	4
6			Screw, Phillips Pan Head (#10-32 x 1-1/8")	1	2
9			Screw, Hex Head (1/4-20 x 1-1/2")	1	3
10			NLA - Spacer (1/4 x 3/8 x 3/16")	1	3
11			Half Clamp, Non-Threaded Holes	1	1
12			NLA - Half Clamp, Threaded Holes	1	1
14			NLA - T-Nut (#10-32)	1	2
1	D	1117239-NLA	NLA - Kit, Quad Link Assembly - Left	1	1
2			NLA - Ball Plunger Assembly with Lock Washer	2	1
3			Locknut (#10-32)	1	2
4			NLA - Screw, Cap, Socket Head (#10-32 x 1/2")	1	4
5			NLA - Bushing, Bronze (3/16 x 1/4 x 1/4")	1	4
6			Screw, Phillips Pan Head (#10-32 x 1-1/8")	1	2
9			Screw, Hex Head (1/4-20 x 1-1/2")	1	3
10			NLA - Spacer (1/4 x 3/8 x 3/16")	1	3
11			Half Clamp, Non-Threaded Holes	1	1
12			NLA - Half Clamp, Threaded Holes	1	1
14			NLA - T-Nut (#10-32)	1	2
1	E	1119215-NLA	NLA - Kit, Quad Link Assembly - Right For Van Seats	1	1
2			NLA - Ball Plunger Assembly with Lock Washer	2	1

Quad Link Assembly (Before 4/07/06)

Item Number	Note	Part Number	Description	Quantity Per	
				Package	Assembly
3			Locknut (#10-32)	1	2
4			NLA - Screw, Cap, Socket Head (#10-32 x 1/2")	1	4
5			NLA - Bushing, Bronze (3/16 x 1/4 x 1/4")	1	4
6			Screw, Phillips Pan Head (#10-32 x 1-1/8")	1	4
7			Spacer, Joystick Tube, Black	1	1
8			NLA - Stud Plate, Quad Link	1	1
15			Locknut (1/4-20)	1	3
16			NLA - Screw, Hex Head (1/4-20 x 1-3/4")	1	3
17			Spacer (1/4 x 3/8 x 1")	1	3
1	E	1119216-NLA	NLA - Kit, Quad Link Assembly - Left For Van Seats	1	1
2			NLA - Ball Plunger Assembly with Lock Washer	2	1
3			Locknut (#10-32)	1	2
4			NLA - Screw, Cap, Socket Head (#10-32 x 1/2")	1	4
5			NLA - Bushing, Bronze (3/16 x 1/4 x 1/4")	1	4
6			Screw, Phillips Pan Head (#10-32 x 1-1/8")	1	4
7			Spacer, Joystick Tube, Black	1	1
8			NLA - Stud Plate, Quad Link	1	1
15			Locknut (1/4-20)	1	3
16			NLA - Screw, Hex Head (1/4-20 x 1-3/4")	1	3
17			Spacer (1/4 x 3/8 x 1")	1	3
<p>NOTE: A - Includes the Quad Link, items 2-12 and used with MKIV RII, A, PSF/PSR; MK5 SPJ-80 and DPJ joysticks for A.S.B.A. seats. B - Includes the Quad Link, items 2-6, 8-12, 13 and used with a TCPD joystick for A.S.B.A. seats. For left side mounted Quad Link, order as a special C - Includes the Quad Link, items 2-6, 8-12, 18 and used with a 1556 Heavy Duty joystick for A.S.B.A. seats D - Includes the Quad Link, items 2-6, 9-12, 14 and used with a MK5 MPJ joystick for A.S.B.A. seats E - Includes the Quad Link, items 2-8, 15-17 and used with MKIV RII; MK5 SPJ-80, DPJ joysticks for Van seats</p>					

Quad Link Assembly (QL)

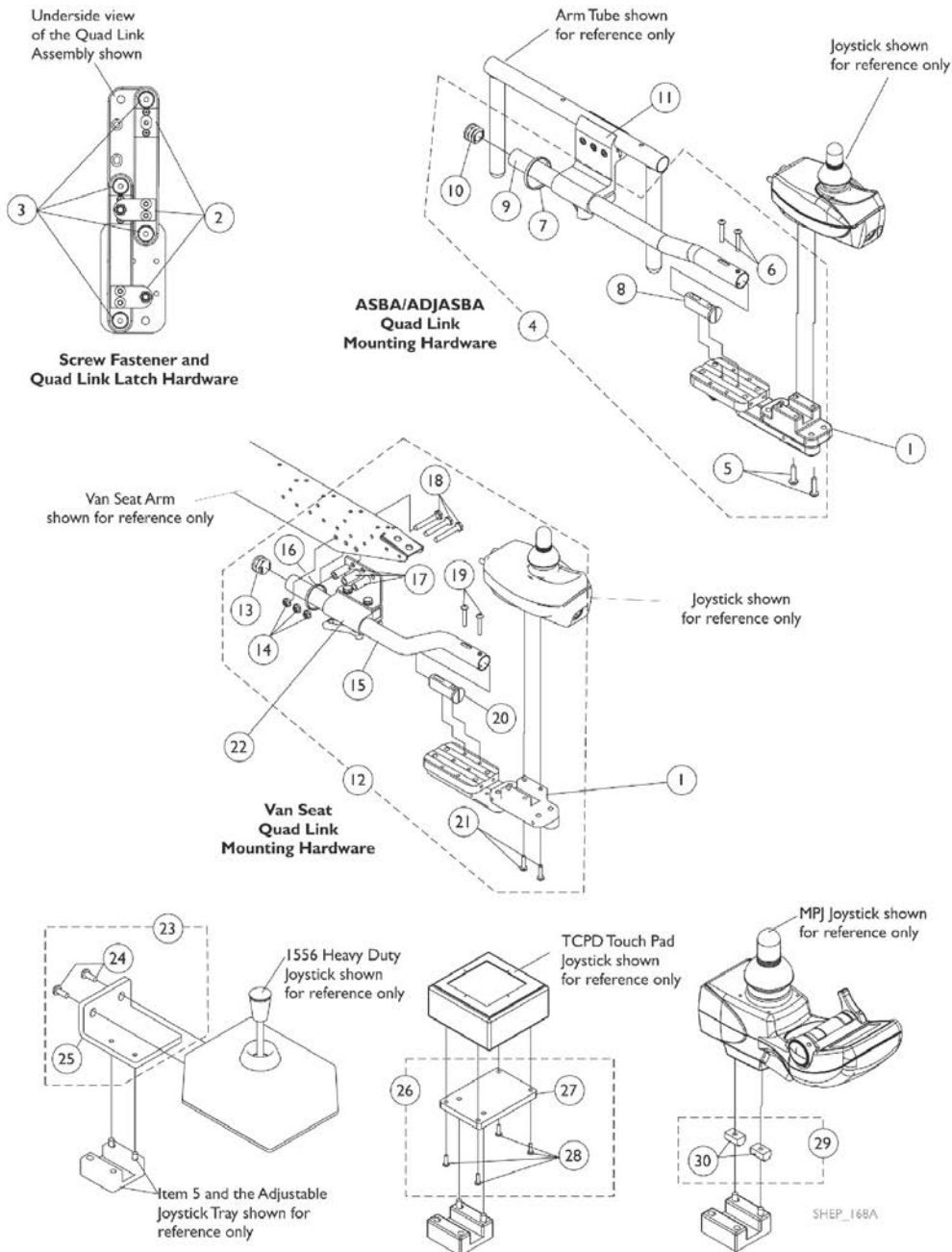
After 4/06/06

When converting an old style Quad Link that attaches to a mounting plate or (a Flex or Touch Pad Joystick Tube) is currently on the chair then order the following for:

a) ASBA Seat; Quad Link Mtg. Hdw. (item 4), Quad Link (item 1) & Ht. Adj. Joystick Tube Clamp (item 11)

b) Van Seat; Quad Link Mtg. Hdw. (item 12), Quad Link (item 1) & Joystick Tube Clamp (item 22)

NOTE: Substitute (item 4 & 12) with 2 ea. of the PPH Screws (item 5) when an offset joystick tube is currently on the chair. Additional Joystick Mtg. Hdw. must be ordered when a 1556 Heavy Duty, TCPD Touch Pad, or MPJ Joystick is used.



SHEP_168A

Quad Link Assembly (QL)

After 4/06/06

When converting an old style Quad Link that attaches to a mounting plate or (a Flex or Touch Pad Joystick Tube) is currently on the chair then order the following for:

a) ASBA Seat; Quad Link Mtg. Hdwr. (item 4), Quad Link (item 1) & Ht. Adj. Joystick Tube Clamp (item 11)

b) Van Seat; Quad Link Mtg. Hdwr. (item 12), Quad Link (item 1) & Joystick Tube Clamp (item 22)

NOTE: Substitute (item 4 & 12) with 2 ea. of the PPH Screws (item 5) when an offset joystick tube is currently on the chair. Additional Joystick Mtg. Hdwr. must be ordered when a 1556 Heavy Duty, TCPD Touch Pad, or MPJ Joystick is used.

Item Number	Note	Part Number	Description	Quantity Per	
				Package	Assembly
1		1140898	Quad Link (QL) with Instruction Sheet - Right	1	1
1		1140899	Quad Link (QL) with Instruction Sheet - Left	1	1
2	A	1140425	Kit, Quad Link Latch Hardware	1	1
3	B	1140424-NLA	NLA - Kit, Quad Link Screw Fastener Hardware	1	1
4	C,C1	1142937	Kit, ASBA/ADJASBA Quad Link Mounting Hardware	1	1
5			Screw, Phillips Pan Head w/ Patch (#10-32 x 3/4")	1	2
6			Screw, Phillips Pan Head (#10-32 x 1-1/8")	1	2
7			Tie Wrap (11-1/2" L)	1	1
8			Spacer, Joystick Tube, Black	1	1
9			Tube, Joystick Offset (2")	1	1
10			Plug Button, Black (7/8")	1	1
5		1105414	Screw, Phillips Pan Head w/ Patch (#10-32 x 3/4")	1	2
11		1093071	Clamp, Fixed Height Joystick Tube	1	1
12	C1,G,I,I 1	1143042	Kit, Quad Link Mounting Hardware - Van Seat	1	1
13			Plug Button, Black (7/8")	1	1
14			NLA - Locknut (1/4-20)	1	3
15			Tube, Joystick Offset (2")	1	1
16			Tie Wrap (11-1/2" L)	1	1
17			Spacer (1/4 x 3/8 x 1")	1	3
18			Screw, Hex Head (1/4-20 x 1-5/8")	1	3
19			Screw, Phillips Pan Head (#10-32 x 1-1/8")	1	2
20			Spacer, Joystick Tube, Black	1	1
21			Screw, Phillips Pan Head w/ Patch (#10-32 x 3/4")	1	2
22		1139681	Clamp Assembly, Fixed Height, Captain/ Van Seat	1	1
23	D	1139925-NLA	NLA - Kit, 1556 Heavy Duty Joystick To Quad Link Mounting Hardware	1	1
24			Screw, Phillips Pan Head (#10-32 x 1/2")	1	2
25			NLA - Plate, 1556 HD Joystick Quad Link	1	1
26	E	1139683-NLA	NLA - Kit, TCPD Touch Pad To Quad Link Mounting Hardware	1	1
27			Plate, TCPD Touch Pad Quad Link	1	1
28			Screw, Phillips Pan Head (#4-40 x 3/8")	1	4
29	H	1139682-NLA	NLA - Kit, MPJ Joystick To Quad Link Mounting Hardware	1	1
30			NLA - T-Nut (#10-32)	1	2
	F	1134844	Instruction Sheet, Quad Link	1	1

Quad Link Assembly (QL)

After 4/06/06

When converting an old style Quad Link that attaches to a mounting plate or (a Flex or Touch Pad Joystick Tube) is currently on the chair then order the following for:

a) ASBA Seat; Quad Link Mtg. Hdwr. (item 4), Quad Link (item 1) & Ht. Adj. Joystick Tube Clamp (item 11)

b) Van Seat; Quad Link Mtg. Hdwr. (item 12), Quad Link (item 1) & Joystick Tube Clamp (item 22)

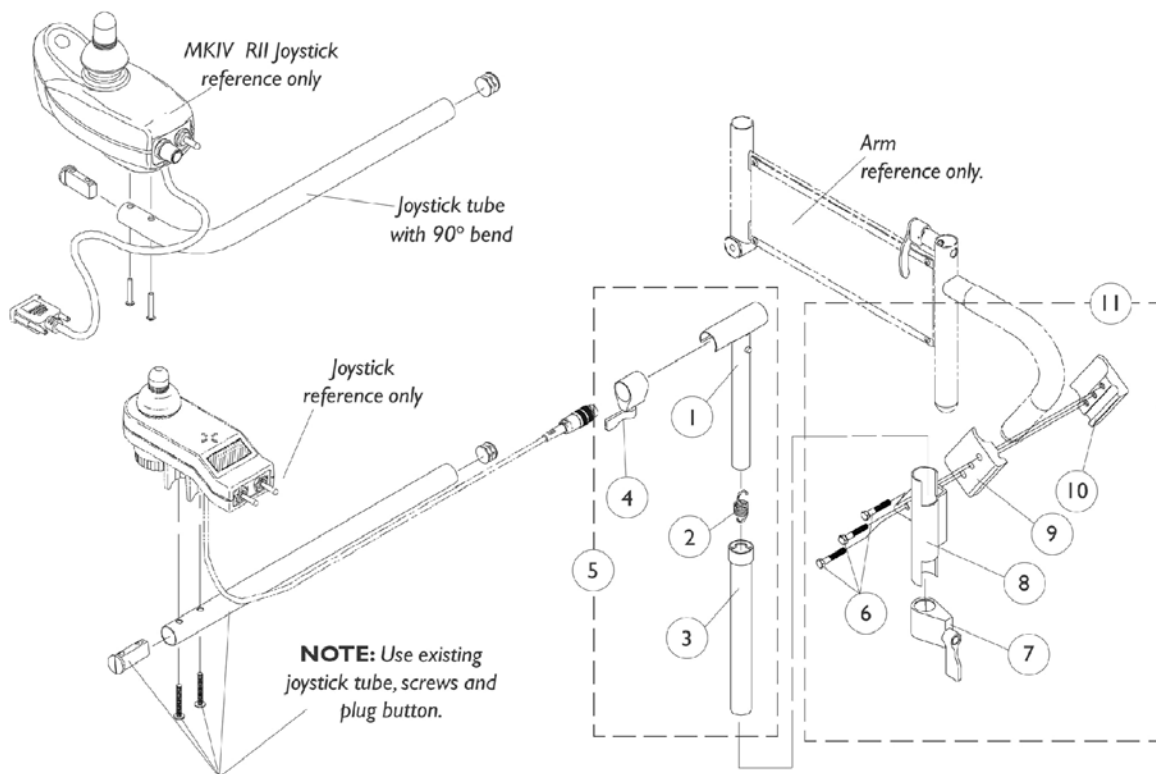
NOTE: Substitute (item 4 & 12) with 2 ea. of the PPH Screws (item 5) when an offset joystick tube is currently on the chair. Additional Joystick Mtg. Hdwr. must be ordered when a 1556 Heavy Duty, TCPD Touch Pad, or MPJ Joystick is used.

NOTE: A - Latch Kit includes 4 ea. Button Head Cap Screws (10-32 x 3/8"), 2 ea. Latch Spring Assembly, 4 ea. Phillips Flat C'Sunk Head Screws, 2 ea. Spring Catch Plates, 2 ea. Socket Head Set Screws (10-32 x 3/8")
B - Screw Fastener Kit includes 4 ea. Socket Head Shoulder Screws (3/8 x 3/8"), 2 ea. Socket Head Cap Screws (1/4-20 x 3/8"), 2 ea. Socket Head Set Screws (1/4-20 x 1/2"), 4 ea. Socket Head Set Screws (10-32 x 1/8")
C - Includes items 5-10. The Quad Link Mounting Hardware accommodates MK5, MKIV RII, and PSF/PSR joysticks.
C1 - When ordering the Quad Link for the first time, Additional hardware is required for 1556 Heavy Duty and TCPD Touch Pad joysticks. See pictorial for reference.
D - Includes items 24 and 25
E - Includes items 27 and 28
F - Not Shown
G - Includes items 13-21. The Quad Link Mounting Hardware accommodates MK5, MKIV RII, and PSF/PSR joysticks.
H - Includes item 30
I - If Quad Link is to be mounted on chairs w/ van seats built Before 4/07/06, then a new Upper Arm Asbly. (adj. height) or complete Fixed Height Arm Asbly. must be ordered as well. See van seat arms category.
I1 - The new Arm Pads have 3 additional holes drilled in the armrest plate so that the quad link can be properly mounted.

MKIV Mid-Line Swing Bracket Assembly

NOTE: Joystick tube with 90 degree bend replaces the standard tube when joysticks PSF, PSR and (RII part # 1092610) are used.

Joystick Tube with 90 degree bend must be ordered as a special when a replacement is needed.



MKIV Mid-Line Swing Bracket Assembly

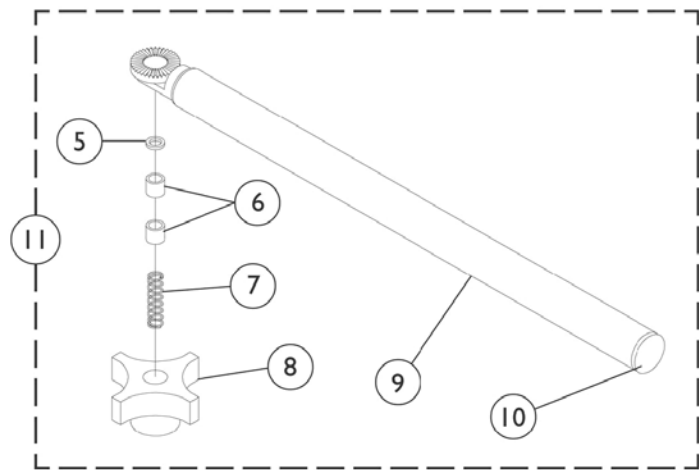
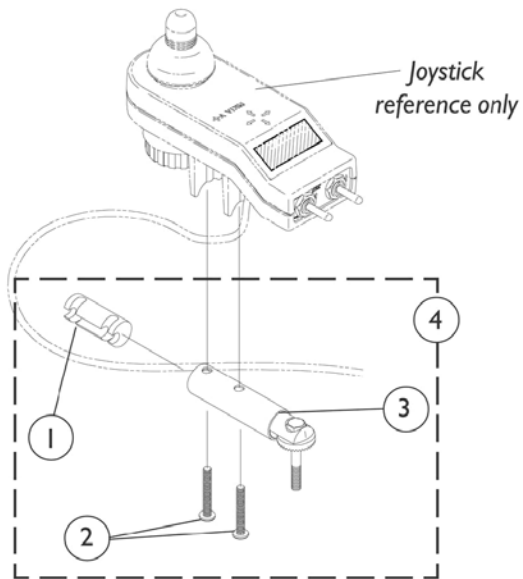
NOTE: Joystick tube with 90 degree bend replaces the standard tube when joysticks PSF, PSR and (Rll part # 1092610) are used.

Joystick Tube with 90 degree bend must be ordered as a special when a replacement is needed.

Item Number	Note	Part Number	Description	Quantity Per	
				Package	Assembly
1		1035528-NLA	NLA - Tube, Adjustment, Inside, Mid-Line, Black	1	1
2		1016778-NLA	NLA - Spring, Extension (9/16 x 1-3/8" L)	1	1
3		1035860-NLA	NLA - Tube, Adjustment, Outside, Mid-Line, Black	1	1
4		1027274	Adjustment Lock Assemnbly, Black	1	1
5		1035852-NLA	NLA - Swing Bracket Assembly, Mid-Line, Black	1	1
6		7930349-NLA	NLA - Screw, Hex Head (1/4-20 x 1-1/8")	25	3
7		1027274	Adjustment Lock Assemnbly, Black	1	1
8	A	1071879-NLA	NLA - Bracket, Joystick Mounting, Black	1	1
9		1027266	Half Clamp, Non-Threaded Holes	1	1
10		1027267-NLA	NLA - Half Clamp, Threaded Holes	1	1
11	A	1071880-NLA	NLA - Hardware, Attaching - Mid-Line	1	1

NOTE: A - Left side joystick mounting bracket or hardware must be ordered as a special.

MKIV Swivel Joystick Hardware



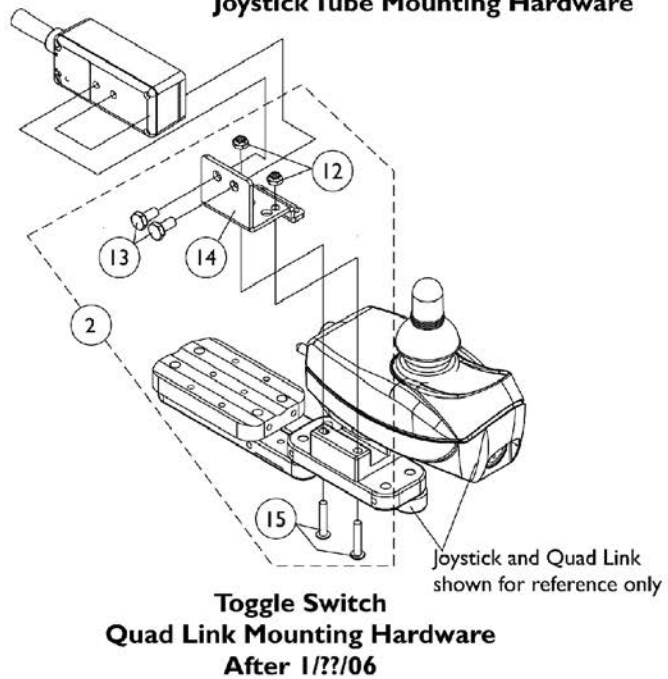
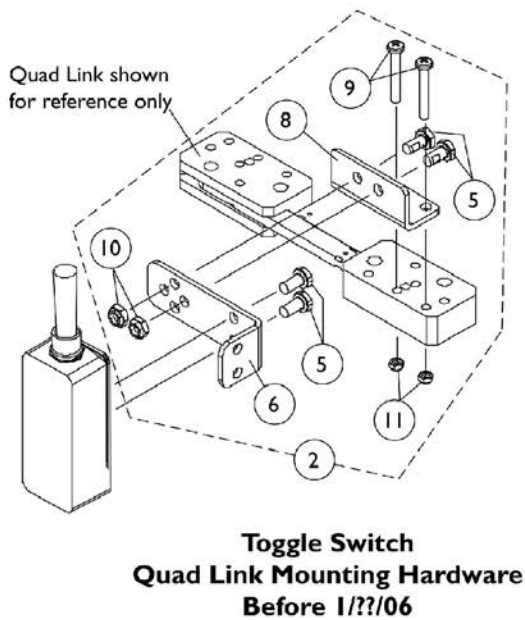
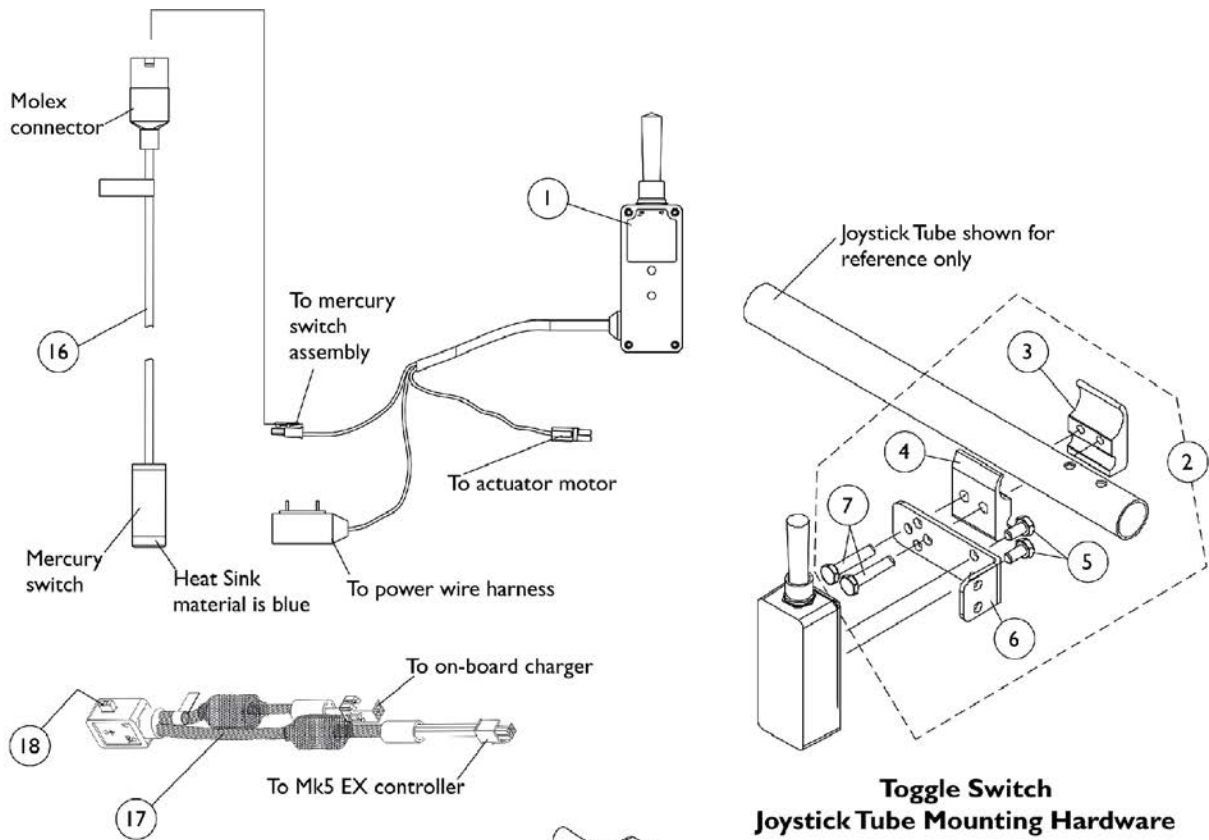
MKIV Swivel Joystick Hardware

Item Number	Note	Part Number	Description	Quantity Per	
				Package	Assembly
1		1093063	Spacer, Joystick Tube, Black	1	1
2		1025714	Screw, Phillips Pan Head (#10-32 x 1-1/8")	1	3
3		1049962-NLA	NLA - Bracket, Swivel Joystick, MKIV	1	1
4		1049963-NLA	NLA - Bracket, Swivel Joystick with Hardware	1	1
5		1020551-NLA	NLA - Washer, Flat (1/4 x 3/8 x 1/16")	1	1
6		1005844-NLA	NLA - Bushing	1	2
7		1002511-NLA	NLA - Spring, Hitch Bracket	1	1
8		1023670-NLA	NLA - Knob, Clamping, Grey	1	1
9		1035990-NLA	NLA - Tube, Swivel Joystick, Black	1	1
10		1027095	Plug Button, Black (7/8")	1	1
11		1035986-NLA	NLA - Joystick Swivel Tube with Hardware, Black	1	1

Tilt Recline Single Switch (TRSS)

(Available only on chairs with PTO Seating System)

As of 7/1/2009, switches are mercury free. TRSS Tilt Recline Single Switch is not used with MK6i electronics.



Tilt Recline Single Switch (TRSS)

(Available only on chairs with PTO Seating System)

As of 7/1/2009, switches are mercury free. TRSS Tilt Recline Single Switch is not used with MK6i electronics.

Item Number	Note	Part Number	Description	Quantity Per	
				Package	Assembly
1		1089384	Switch, Toggle Tilt Recline Single (TRSS)	1	1
2	A	1091496	Kit, Joystick Tube Toggle Switch Mounting Hardware	1	1
3			NLA - Half Clamp, Threaded Holes	1	1
4			Half Clamp, Non-Threaded Holes	1	1
5			Screw, Hex Head w/ Patch (1/4-20 x 1/2")	1	2
6			NLA - Bracket, Toggle Switch Mounting, Black	1	1
7			NLA - Screw, Hex Head (1/4-20 x 1-1/8")	1	2
2	B	1091497-NLA	NLA - Kit, Quad Link Toggle Switch Mounting Hardware	1	1
5			Screw, Hex Head w/ Patch (1/4-20 x 1/2")	1	4
6			NLA - Bracket, Toggle Switch Mounting, Black	1	1
8			NLA - Bracket, Quad Link Toggle Switch Mounting, Black	1	1
9			Screw, Phillips Pan Head (#10-32 x 1-3/8")	1	2
10			NLA - Locknut (1/4-20)	1	2
11			Locknut (#10-32)	1	2
2	C	1139684-NLA	NLA - Kit, Quad Link Toggle Switch Mounting Hardware	1	1
12			Locknut (#10-32)	1	2
13			Screw, Hex Head w/ Patch (1/4-20 x 1/2")	1	2
14			Bracket, Toggle Switch Mounting, Black	1	1
15			Screw, Phillips Pan Head w/Patch (#10-32 x 7/8")	1	2
16		1080635-NLA	NLA - Harness, Recline/Tilt Limit Mercury Free Ball Switch	1	1
17	D	1127429-NLA	NLA - Cable, Splitter Auxiliary Power	1	1
18		1090117-NLA	NLA - Fuse - Buss Mini ATM-15 (15 AMP)	1	1
	E	1106544-NLA	NLA - Kit, Switch Clip with Mounting Hardware	1	1
			NLA - Bracket, Cable/Wire Mounting, Black	1	1
			Screw, Phillips Pan Head Tap (#10-16 x 3/4")	1	1
			Lockwasher, External Tooth (#10)	1	1

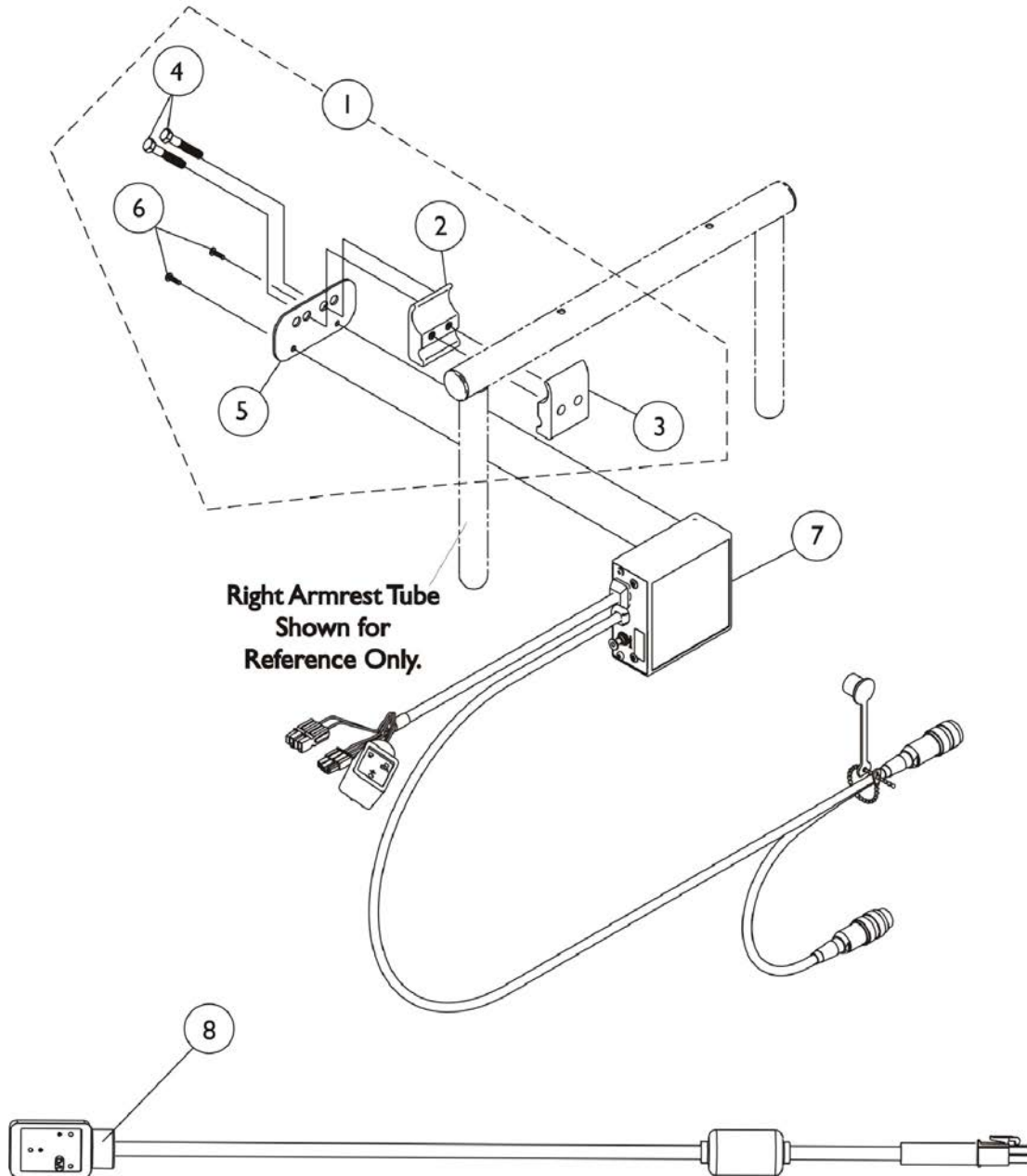
NOTE: A - Includes items 3-7
 B - Before 1/??/06 and Includes items 5, 6 and 8-11
 C - After 1/??/06 and includes items 12-15
 D - Used for Pronto M71 and M91 models with on-board chargers
 E - Not Shown. Includes 1 ea. part number 0062800, 1 ea. 0065706 and 1 ea. 1077143. Switch Clip Hardware is used to mount the Recline/Tilt Mercury Switch Harness

Electronics - MK5 SAC & Hardware

Before 1/06/06

On 1/06/06 the MK5 SAC was discontinued. As a replacement, refer to the MK5 TAC and Hardware category.

(Available only on chairs with PTO and PTO Plus Seating Systems)



Electronics - MK5 SAC & Hardware Before 1/06/06

OOn 1/06/06 the MK5 SAC was discontinued. As a replacement, refer to the MK5 TAC and Hardware category.

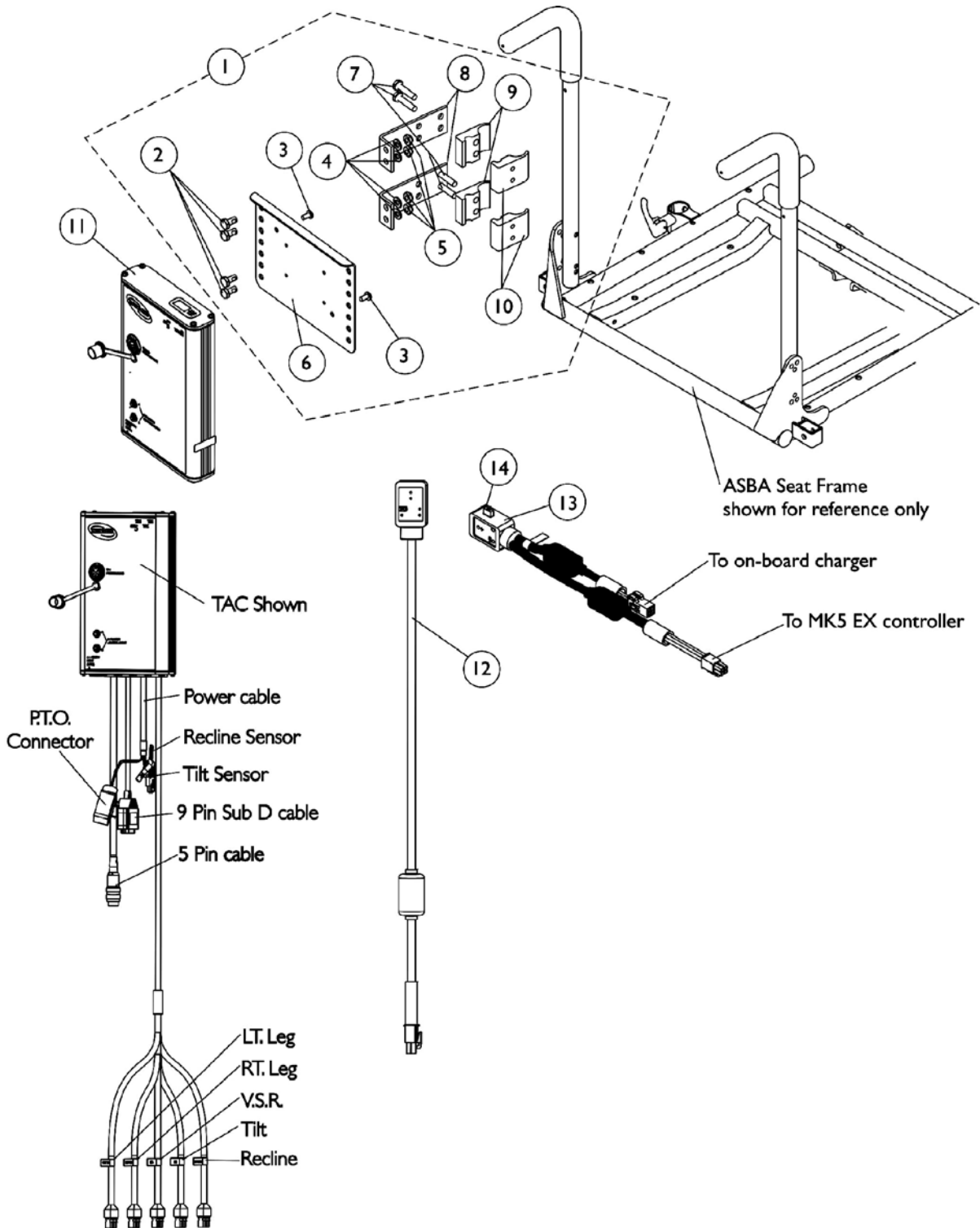
(Available only on chairs with PTO and PTO Plus Seating Systems)

Item Number	Note	Part Number	Description	Quantity Per	
				Package	Assembly
1	A,C	1049593	Kit, SNP/DI, MK5 SAC, 4WSB, S4WSB, GTAM, AUX12M6, AUX34M6 Mtg. Hdwr.	1	1
2			NLA - Half Clamp, Threaded Holes	1	1
3			Half Clamp, Non-Threaded Holes	1	1
4			NLA - Screw, Hex Head (1/4-20 x 1-1/8")	1	2
5			Plate, Mounting	1	1
6			Screw, Phillips Pan Head (#4-40 x 3/8")	1	2
7	B	1115730-NLA	NLA - Control, MK5 SAC	1	1
8		1119418	Cable, Auxiliary Power	1	1

NOTE: A - Includes items 2-6
 B - On 1/06/06 the MK5 SAC was discontinued. As a replacement, refer to the MK5 TAC and Hardware category.
 C - As of 5/22/07 the Mounting Plate holes and the orientation of the Hardware was revised to attach the electronics closer to the chair. The Mounting Hardware Kit is backward compatible.

Electronics - MK5 TAC and Hardware (After 1/05/2006)

(Available only on chairs with PTO and PTO Plus Powered Seating)
As of (7/1/2009), switches are mercury free.



Electronics - MK5 TAC and Hardware (After 1/05/2006)

(Available only on chairs with PTO and PTO Plus Powered Seating)
As of (7/1/2009), switches are mercury free.

Item Number	Note	Part Number	Description	Quantity Per	
				Package	Assembly
1	J	1142600-NLA	NLA - Kit, MK5 TAC/TRECM Mounting Hardware	1	1
2			Screw, Hex Head w/ Patch (1/4-20 x 1/2")	1	4
3			NLA - Screw, Phillips Pan Head w/ Patch (#10-32 x 3/8")	1	2
4			Washer (1/4 x 1/2 x 1/16")	1	4
5			NLA - Locknut (1/4-20)	1	4
6			NLA - Bracket, Controller Mounting, Black	1	1
7			NLA - Screw, Hex Head (1/4-20 x 1-1/8")	1	4
8			NLA - Bracket, Standoff, Black	1	2
9			Half Clamp, Non-Threaded Holes	1	2
10			NLA - Half Clamp, Threaded Holes	1	2
11	B,C	1118728-NLA	NLA - Controller, MK5 TAC	1	1
12		1119418	Cable, Auxiliary Power	1	1
13	A	1127429-NLA	NLA - Cable, Splitter Auxiliary Power	1	1
14		1090117-NLA	NLA - Fuse - Buss Mini ATM-15 (15 AMP)	1	1
	D,E	1142587-NLA	Kit, MK5 SAC To MK5 TAC Conversion For PTO on Pronto M71/M91	1	1
2			Screw, Hex Head w/ Patch (1/4-20 x 1/2")	1	4
3			NLA - Screw, Phillips Pan Head w/ Patch (#10-32 x 3/8")	1	2
4			Washer (1/4 x 1/2 x 1/16")	1	4
5			NLA - Locknut (1/4-20)	1	4
6			NLA - Bracket, Controller Mounting, Black	1	1
7			NLA - Screw, Hex Head (1/4-20 x 1-1/8")	1	4
8			NLA - Bracket, Standoff, Black	1	2
9			Half Clamp, Non-Threaded Holes	1	2
10			NLA - Half Clamp, Threaded Holes	1	2
11			NLA - Controller, MK5 TAC	1	1
			NLA - Harness, Drive Lockout Mercury Free Ball Switch	1	2
			NLA - Bracket, Cable/Wire Mounting, Black	1	1
			Screw, Phillips Pan Head Tap (#10-16 x 3/4")	1	1
			Lockwasher, External Tooth (#10)	1	1
			Tie Wrap (11-1/2" L)	1	10
			Tie Wrap (5-5/8" L)	1	10
			NLA - Instruction Sheet, MK5 SAC To MK5 TAC Conversion For PTO on Pronto M71/M91	1	1
	D,E	1142587E-NLA	NLA - WARR RPLMT - MK5 SAC To MK5 TAC Conversion Kit For PTO on Pronto M71/M91	1	1
2			Screw, Hex Head w/ Patch (1/4-20 x 1/2")	1	4
3			NLA - Screw, Phillips Pan Head w/ Patch (#10-32 x 3/8")	1	2

Electronics - MK5 TAC and Hardware (After 1/05/2006)

(Available only on chairs with PTO and PTO Plus Powered Seating)
As of (7/1/2009), switches are mercury free.

Item Number	Note	Part Number	Description	Quantity Per	
				Package	Assembly
4			Washer (1/4 x 1/2 x 1/16")	1	4
5			NLA - Locknut (1/4-20)	1	4
6			NLA - Bracket, Controller Mounting, Black	1	1
7			NLA - Screw, Hex Head (1/4-20 x 1-1/8")	1	4
8			NLA - Bracket, Standoff, Black	1	2
9			Half Clamp, Non-Threaded Holes	1	2
10			NLA - Half Clamp, Threaded Holes	1	2
11			NLA - WARR RPLMT - Controller, MK5 TAC	1	1
			NLA - Bracket, Cable/Wire Mounting, Black	1	1
			Screw, Phillips Pan Head Tap (#10-16 x 3/4")	1	1
			Tie Wrap (5-5/8" L)	1	10
			Lockwasher, External Tooth (#10)	1	1
			NLA - Harness, Drive Lockout Mercury Free Ball Switch	1	2
			NLA - Instruction Sheet, MK5 SAC To MK5 TAC Conversion For PTO on Pronto M71/M91	1	1
			Tie Wrap (11-1/2" L)	1	10
	D,F	1142589-NLA	Kit, MK5 SAC To MK5 TAC Conversion For Formula PTO Plus on Pronto M71/M91 & TDX	1	1
2			Screw, Hex Head w/ Patch (1/4-20 x 1/2")	1	4
3			NLA - Screw, Phillips Pan Head w/ Patch (#10-32 x 3/8")	1	2
4			Washer (1/4 x 1/2 x 1/16")	1	4
5			NLA - Locknut (1/4-20)	1	4
6			NLA - Bracket, Controller Mounting, Black	1	1
7			NLA - Screw, Hex Head (1/4-20 x 1-1/8")	1	4
8			NLA - Bracket, Standoff, Black	1	2
9			Half Clamp, Non-Threaded Holes	1	2
10			NLA - Half Clamp, Threaded Holes	1	2
11			NLA - Controller, MK5 TAC	1	1
			NLA - Harness, Drive Lockout Mercury Free Ball Switch	1	2
			NLA - Bracket, Cable/Wire Mounting, Black	1	1
			Screw, Phillips Pan Head Tap (#10-32 x 3/8")	1	1
			Washer, Steel (3/16 x 7/16 x 1/16")	1	1
			Tie Wrap (11-1/2" L)	1	10
			Tie Wrap (5-5/8" L)	1	10
			NLA - Instruction Sheet, MK5 SAC To MK5 TAC Conversion For Formula PTO Plus on Pronto M71/M91 & TDX	1	1
	D,F	1142589E-NLA	NLA - WARR RPLMT - MK5 SAC To MK5 TAC Conversion Kit For Formula PTO Plus on Pronto M71/M91 & TDX	1	1

Electronics - MK5 TAC and Hardware (After 1/05/2006)

(Available only on chairs with PTO and PTO Plus Powered Seating)
As of (7/1/2009), switches are mercury free.

Item Number	Note	Part Number	Description	Quantity Per	
				Package	Assembly
2			Screw, Hex Head w/ Patch (1/4-20 x 1/2")	1	4
3			NLA - Screw, Phillips Pan Head w/ Patch (#10-32 x 3/8")	1	2
4			Washer (1/4 x 1/2 x 1/16")	1	4
5			NLA - Locknut (1/4-20)	1	4
6			NLA - Bracket, Controller Mounting, Black	1	1
9			Half Clamp, Non-Threaded Holes	1	2
10			NLA - Half Clamp, Threaded Holes	1	2
11			NLA - WARR RPLMT - Controller, MK5 TAC	1	1
			NLA - Bracket, Cable/Wire Mounting, Black	1	1
			Screw, Phillips Pan Head Tap (#10-32 x 3/8")	1	1
			Washer, Steel (3/16 x 7/16 x 1/16")	1	1
			NLA - Harness, Drive Lockout Mercury Free Ball Switch	1	2
			Tie Wrap (5-5/8" L)	1	10
	D,G	1106544-NLA	NLA - Kit, Switch Clip with Mounting Hardware	1	2
			NLA - Bracket, Cable/Wire Mounting, Black	1	1
			Screw, Phillips Pan Head Tap (#10-16 x 3/4")	1	1
			Lockwasher, External Tooth (#10)	1	1
	D,H	1128387-NLA	NLA - Kit, Switch Mounting Hardware	1	2
			NLA - Bracket, Cable/Wire Mounting, Black	1	1
			Washer, Steel (3/16 x 7/16 x 1/16")	1	1
			Screw, Phillips Pan Head Tap (#10-32 x 3/8")	1	1
	D	1141467-NLA	NLA - Instruction Sheet, MK5 SAC To MK5 TAC Conversion For PTO on Pronto M71/M91	1	1
	D	1141483-NLA	NLA - Instruction Sheet, MK5 SAC To MK5 TAC Conversion For Formula PTO Plus on Pronto M71/M91 & TDX	1	1
	D	1080634-NLA	NLA - Harness, Drive Lockout Mercury Free Ball Switch	1	2
	D	1095503-NLA	NLA - Package, Tie Wrap (5-5/8" L)	10	1
	D	1095502-NLA	NLA - Package, Tie Wrap (11-1/2" L)	10	1

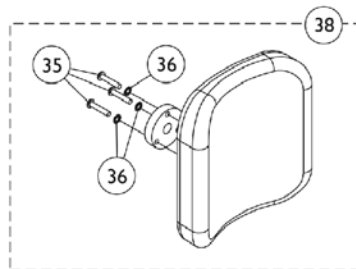
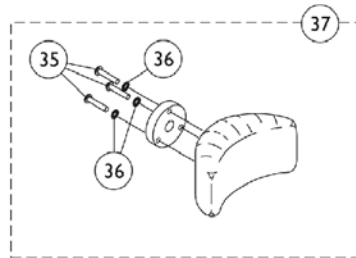
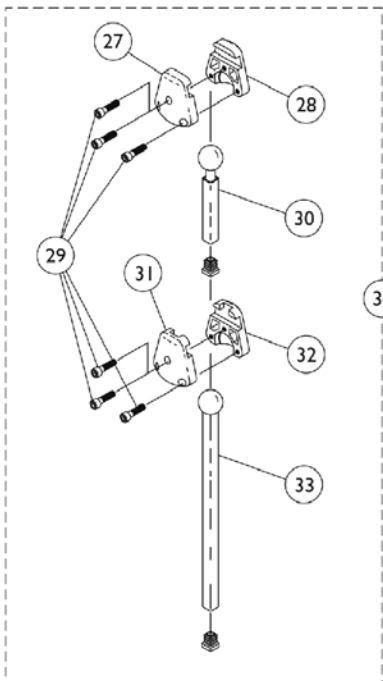
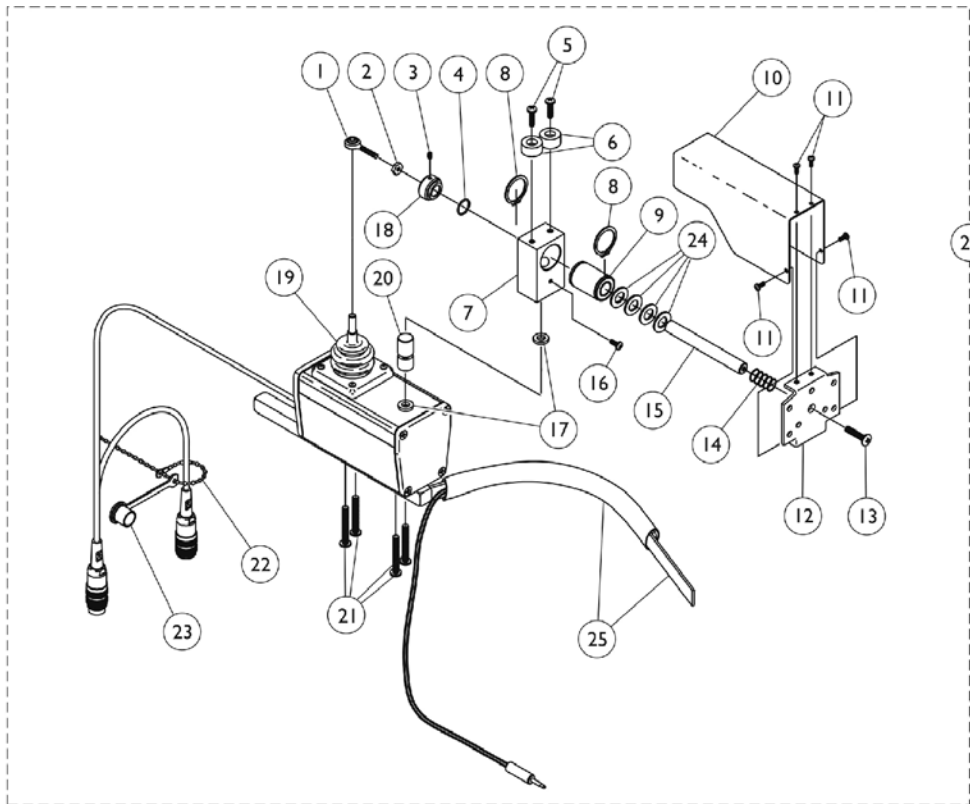
Electronics - MK5 TAC and Hardware (After 1/05/2006)

(Available only on chairs with PTO and PTO Plus Powered Seating)
As of (7/1/2009), switches are mercury free.

NOTE: A - Used for models with on-board chargers
B - When converting a MK5 SAC to a MK5 TAC on a PTO Powered Seating System, refer to the conversion kit part # 1142587
C - When converting a MK5 SAC to a MK5 TAC on a PTO "Plus" Powered Seating System, refer to the conversion kit part # 1142589
D - Not Shown
E - Components for kit part # 1142587 uses items 2-11, (part #'s 1080634, 0062800, 0065706, 1077143), Cable Ties and Instruction Sheet
F - Components for kit part # 1142589 uses items 2-11, (part #'s 1080634, 0062800, 1028516, 1022597), Cable Ties and Instruction Sheet
G - Switch Clip and Hardware Kit part # 1106544 Bill Of Material is found within SAC To TAC conversion kit part # 1142587
H - Switch Clip and Hardware Kit part # 1128387 Bill Of Material is found within SAC To TAC conversion kit part # 1142589
J - Includes items 2-10

Effective (07/01/2009), switches are mercury free.

R.I.M. Head Control Assembly (1500)



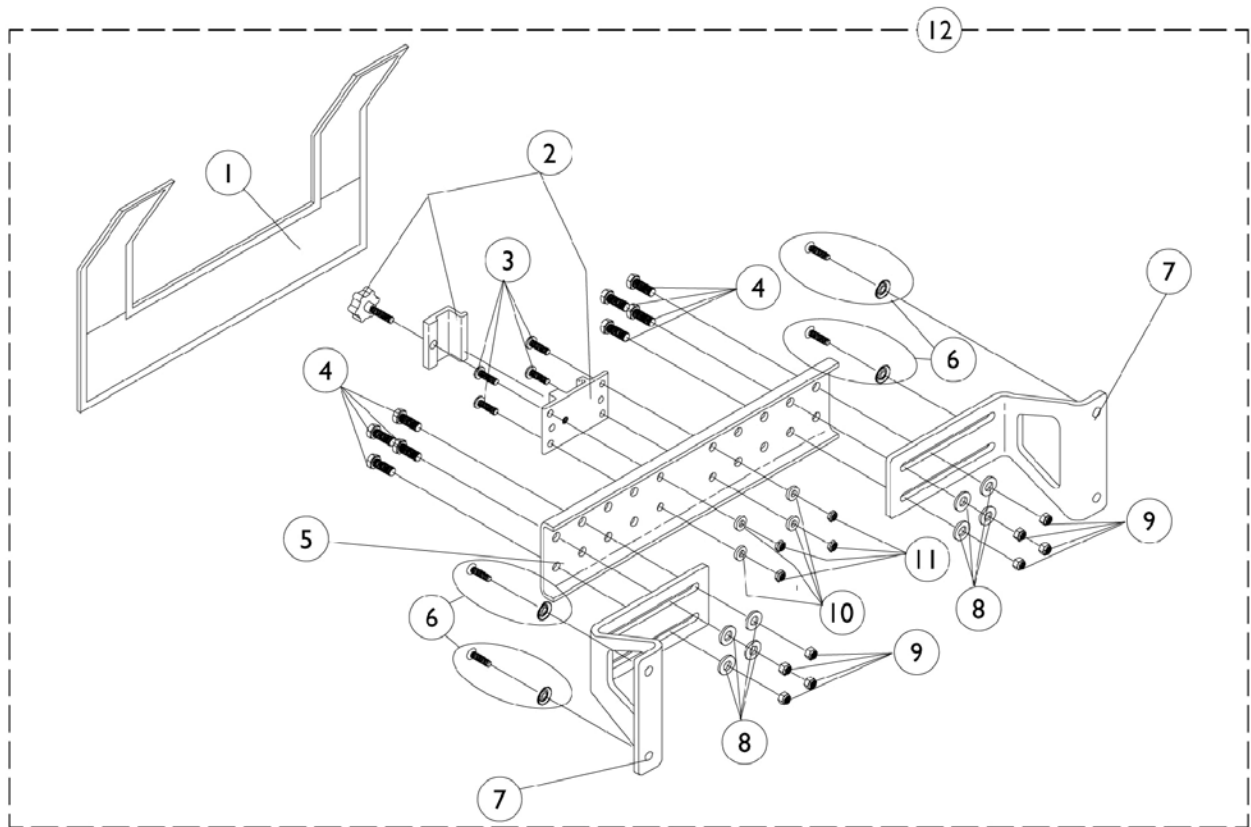
R.I.M. Head Control Assembly (1500)

Item Number	Note	Part Number	Description	Quantity Per	
				Package	Assembly
1		1001625	Tie Rod End	1	1
2		48095X000-NLA	NLA - Locknut (#10-32)	1	1
3		1025275-NLA	NLA - Screw, Set w/ Patch (#8-32 x 1/4")	1	1
4		2001139	O-Ring (1/2" I.D.)	1	1
5		1028529	Screw, Phillips Pan Head (#8-32 x 3/8")	1	2
6		1055002-NLA	NLA - Washer, Nylon	1	2
7		1056206	Block, Pivot	1	1
8		1054939-NLA	NLA - Ring, Snap	1	2
9		1018113	Bearing, Linear	1	1
10		1055014-NLA	NLA - Shield, Push Rod	1	1
11		1021742	Screw, Phillips Pan Head (#4-40 x 1/2")	1	4
12		1055031-NLA	NLA - Bracket, Headrest Mounting, Black	1	1
13		40127X002-NLA	NLA - Screw, Phillips Oval Head (#10-32 x 3/4")	1	1
14		1055145-NLA	NLA - Spring, Compression (19/32 x 1-1/4 x 1/32")	1	1
15		1055016-NLA	NLA - Rod, Push	1	1
16		1026728-NLA	NLA - Screw, Phillips Pan Head (#6-32 x 1/4")	1	1
17		1010398	Washer, Nylon (1/4 x 1/2 x 1/16")	1	2
18		1025236-NLA	NLA - Collar, Shoulder	1	1
19		50000X364-NLA	NLA - Boot, Joystick	1	1
20		1055017-NLA	NLA - Rod, Pivot	1	1
21		11008X014-NLA	NLA - Screw, Phillips Round Head (#10-32 x 1")	1	4
22		1038256-NLA	NLA - Tie Wrap (4-1/4" L)	1	1
23		1037373-NLA	NLA - Cover, Splash	1	1
24		1003766-NLA	NLA - Washer, Plain (1/2 x 1 x 1/8")	1	4
25		1025271-NLA	NLA - Ribbon Reset Switch and Bracket Assembly	1	1
26	A	1056210E-NLA	NLA - Reconditioned - Joystick, Remote Head	1	1
27		1055023-NLA	NLA - Clamp, Horizontal Pivot	1	1
28		1055024-NLA	NLA - Clamp, Threaded, Horizontal Pivot	1	1
29		1055144-NLA	NLA - Screw, Socket Head (M6 x 1 x 25mm)	1	6
30		1055028	Tube, Slide, Square, Short	1	1
31		1055025-NLA	NLA - Clamp, Vertical Pivot	1	1
32		1055026-NLA	NLA - Clamp, Threaded, Vertical Pivot	1	1
33		1055027-NLA	NLA - Tube, Slide, Square, Long	1	1
34	B	1056213-NLA	NLA - Hardware, Adjustment	1	1
35		1005383	Screw, Socket Button Head (#10-32 x 1")	1	3
36		1027263-NLA	NLA - Washer, Lock Internal Tooth (#10)	1	3
37	C	1056211-NLA	NLA - Kit, Headrest with Hardware, Otto Bock, Small	1	1
38	D	1056212	Kit, Headrest with Hardware, Large	1	1
	E	1056087-NLA	NLA - Screw, Socket Head (#10-32 x 1/2")	1	4

R.I.M. Head Control Assembly (1500)

NOTE: A - Includes items 1-25.
B - Includes items 27-33 and the Plug Buttons that attach to item 30 and 33 Slide Tubes. The Plug Buttons are not saleable.
C - Includes the Headrest Adapter and items 35 and 36.
D - Includes the Headrest Adapter and items 35 and 36. The LaBac Headrest is no longer used as of 12/6/10 that was attached with Screw part # 1056087 (4 ea.). The screw is still available to order for existing LaBac Headrest in the field.
E - Used for existing LaBac Headrest in the field only.

R.I.M. Head Control Mounting Hardware (1500)

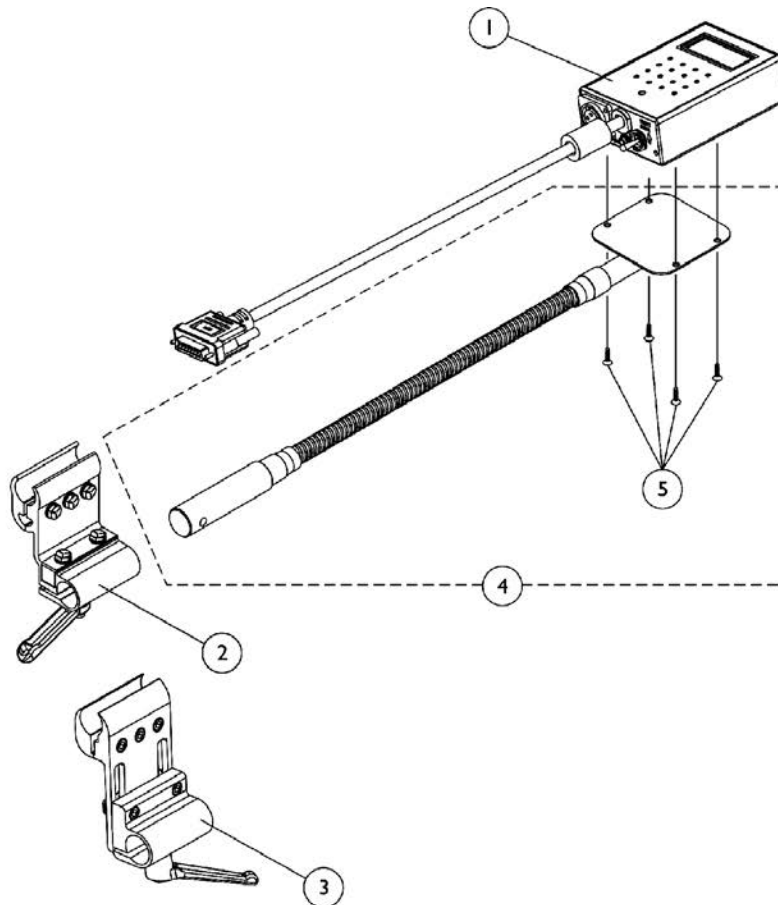


R.I.M. Head Control Mounting Hardware (1500)

Item Number	Note	Part Number	Description	Quantity Per	
				Package	Assembly
1	B	1055149	Cover, Nylon	1	1
1	C	1055151-NLA	NLA - Cover, Nylon	1	1
2		1055148-NLA	NLA - Clamp with Knob, Two-Piece	1	1
3		1003645	Screw, Socket Button Head (#10-32 x 3/4")	1	4
4		7930326-NLA	NLA - Package, Screw, Hex Head (1/4-20 x 3/4")	25	8
5	B	1054931-NLA	NLA - Bracket, Attaching, Black (12 - 18" W)	1	1
5	C	1054933-NLA	NLA - Bracket, Attaching, Black (19 - 24" W)	1	1
6		1031095	Screws with Washers (#10-16 x 7/8")	4	1
6		1076284	Screw w/ Washer (#10 x 7/8")	1	4
7		1054929-NLA	NLA - Bracket, Wing, Black	1	2
8		1026907	Washer (1/4 x 1/2 x 1/16")	1	8
9		7930333	Locknut (1/4-20)	25	8
10		1026034-NLA	NLA - Washer, Nylon (3/16 x 7/16 x 1/8")	1	4
11		7930332-NLA	NLA - Locknut, High Profile (#10-32)	25	4
12	B,A	1056347	Hardware, Rim Control Mounting (RIMHW) (12-18" W)	1	1
12	C,A	1056348	Hardware, Rim Control Mounting (RIMHW) (19-24" W)	1	1

NOTE: A - Includes items 1-11
 B - For 12-18" wide chairs
 C - For 19-24" wide chairs

MK5 Display

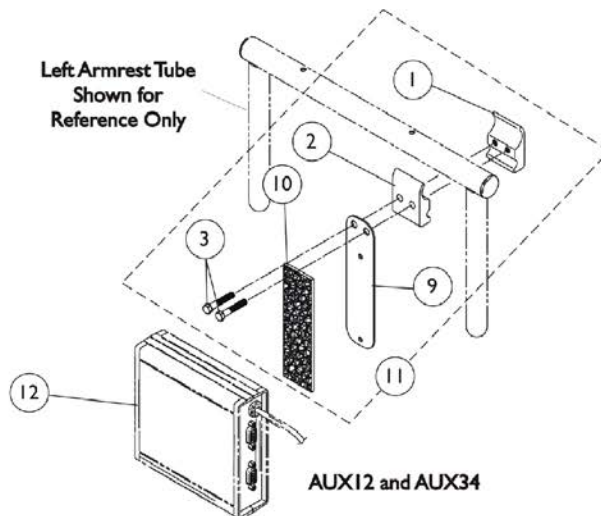
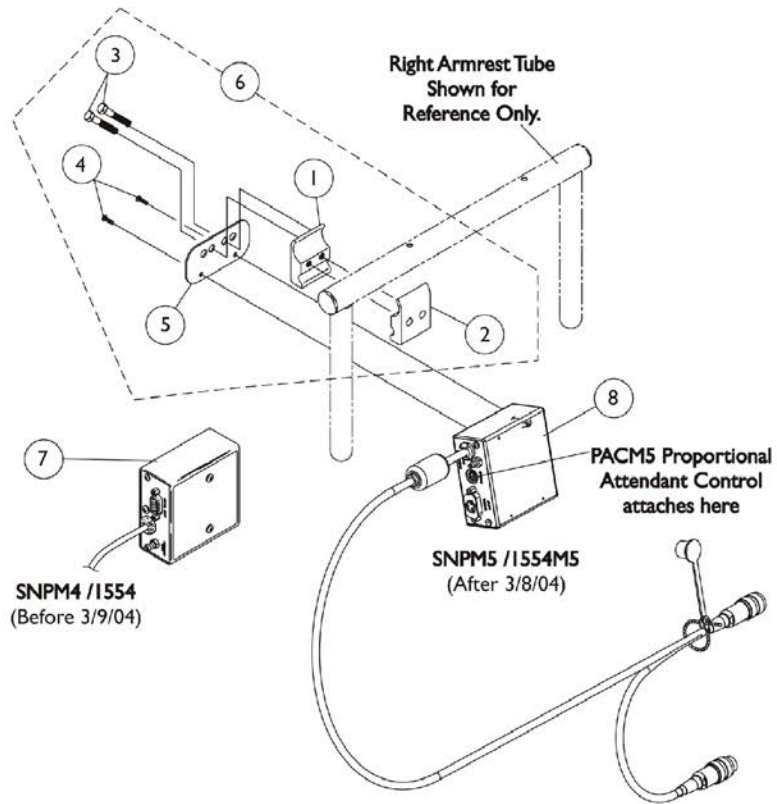


Item Number	Note	Part Number	Description	Quantity Per	
				Package	Assembly
1		1118759-NLA	NLA - Display, MK5 with Switches	1	1
2		1093071	Clamp, Fixed Height Joystick Tube	1	1
3	A	1139422	Clamp, Height Adjustable Joystick Tube (ARM250)	1	1
4		1049594-NLA	NLA - Tube, Flex with Screws	1	1
5		1052041	Screw, Phillips Pan Head (#4-40 x 3/8")	1	4

NOTE: A - Introduced as an option (ARM250) and can be used to replace a Fixed Height Joystick Clamp

Sip-N-Puff / Digital Interface and AUX12 and AUX34 1554M4/1554M5

Sip-N-Puff/Digital Interface (1554M5) is required when using Proportional Attendant Control (PACM5)



Sip-N-Puff / Digital Interface and AUX12 and AUX34 1554M4/1554M5

Sip-N-Puff/Digital Interface (1554M5) is required when using Proportional Attendant Control (PACM5)

Item Number	Note	Part Number	Description	Quantity Per	
				Package	Assembly
6	A,E	1049593	Kit, SNP/DI, MK5 SAC, 4WSB, S4WSB, GTAM, AUX12M6, AUX34M6 Mtg. Hdwr.	1	1
1			NLA - Half Clamp, Threaded Holes	1	1
2			Half Clamp, Non-Threaded Holes	1	1
3			NLA - Screw, Hex Head (1/4-20 x 1-1/8")	1	2
4			Screw, Phillips Pan Head (#4-40 x 3/8")	1	2
5			Plate, Mounting	1	1
7	B	1038635-NLA	NLA - Sip-N-Puff w/ Digital Interface	1	1
8	C	1122229-NLA	NLA - Sip-N-Puff w/ Digital Interface - MK5	1	1
11	D	1049592-NLA	NLA - Kit, COM12/AUX12 and COM34/AUX34 Mounting Hardware	1	1
1			NLA - Half Clamp, Threaded Holes	1	1
2			Half Clamp, Non-Threaded Holes	1	1
3			NLA - Screw, Hex Head (1/4-20 x 1-1/8")	1	2
9			NLA - Fastener, Dual Lock Hook and Loop Adhesive (2" W x 12" L)	1	1
10			NLA - Plate, COM12/AUX12 and COM34/AUX34 Mounting	1	1
12	F	See Note-NLA	See Footnote	1	1
12		1086241-NLA	NLA - Module, Communication, COM34/AUX34	1	1

NOTE: A - Includes items 1-5
 B - Before 3/9/04 - MKIV Electronics
 C - After 3/8/04 - MK5 Electronics
 D - Includes items 1-3, & 9-10. Item 9 that is packaged with the kit will only be a 4" long "loop" fastener.
 E - As of 5/22/07 the Mounting Plate holes and the orientation of the Hardware was revised to attach the electronics closer to the chair. The Mounting Hardware Kit is backward compatible.
 F - Part is no longer serviceable in the field.

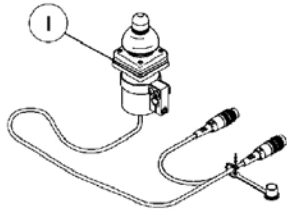
Proportional Attendant Control Joystick PACM5

Sip-N-Puff/Digital Interface (1554M5) is required when using Proportional Attendant Control Joystick (PACM5)

Item Number	Note	Part Number	Description	Quantity Per	
				Package	Assembly
1		1040217	Knob, Joystick Rubber, Black	1	1
2		1040218	Skirt, Joystick Rubber, Black	1	1
3		1114232	Knob, Control	1	1
4	A	1123230-NLA	NLA - Joystick, Proportional Attendant Control - MK5 (PACM5)	1	1
5		1021460	Screw, Socket Button Head (#10-32 x 5/16")	1	4
6		1025048	Clamp	1	1
7		0140406-NLA	NLA - Screw, Socket Head, Cap (5/16-18 x 1-1/2")	1	2
8		1123244	Bracket Assembly	1	1
9	B	1123274-NLA	NLA - Proportional Attendant Control Joystick w/ Bracket and Clamp -MK5 (PACM5)	1	1

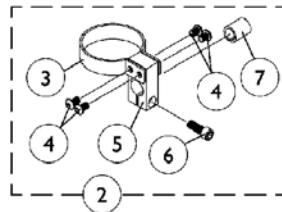
NOTE: A - Includes Joystick plus items 1-3
B - Includes items 1-8

Joystick Options

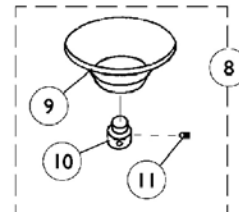


**ON CHAIR: 1812M4/1558
DUAL/COMPACT JOYSTICK
W/ MTG. HARDWARE**

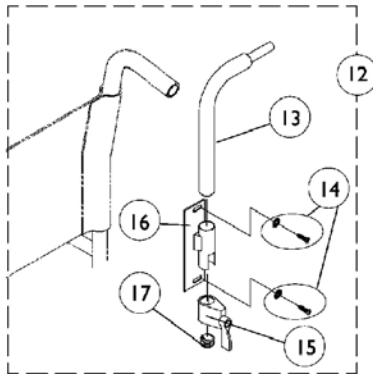
Used with MK5 display or MPJ joystick



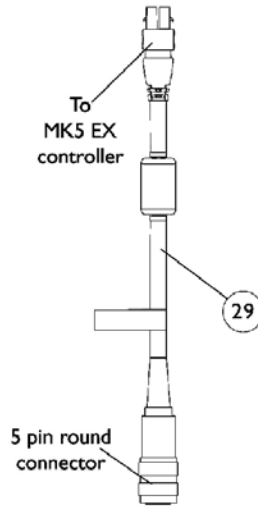
**DUAL/COMPACT JOYSTICK
MOUNTING HARDWARE**



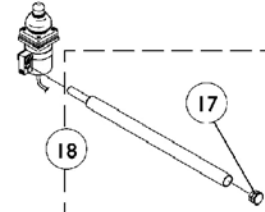
**ON CHAIR: 1826
CHIN CUP ASSEMBLY**



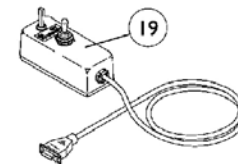
**ON CHAIR: 1673
REAR CANE MOUNT**



**MK5 EX CONTROLLER
OPTION CABLE**

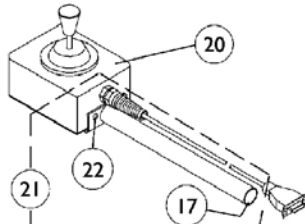


**DUAL/COMPACT
JOYSTICK
ARM MOUNT**



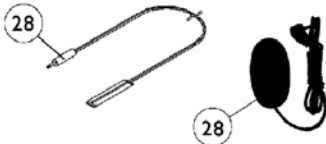
**ON CHAIR: 1552
ATTENDANT CONTROL
JOYSTICK**

Used with SNPM4
Sip-N-Puff/Digital interface



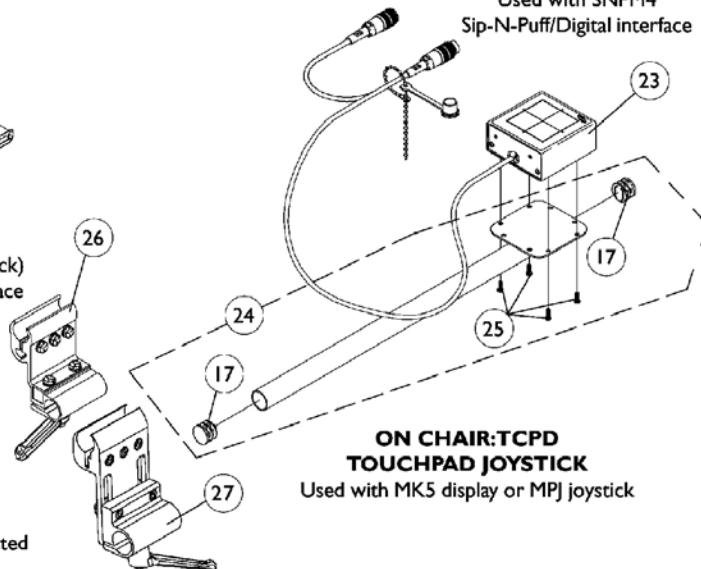
**ON CHAIR: 1556M
HEAVY DUTY
JOYSTICK**

Used with (MK5 display or MPJ joystick)
with SNPM4 Sip-N-Puff/Digital interface



**ON CHAIR: 1817
Reset Switch**

May be required for joystick options listed



**ON CHAIR: TCPD
TOUCHPAD JOYSTICK**

Used with MK5 display or MPJ joystick

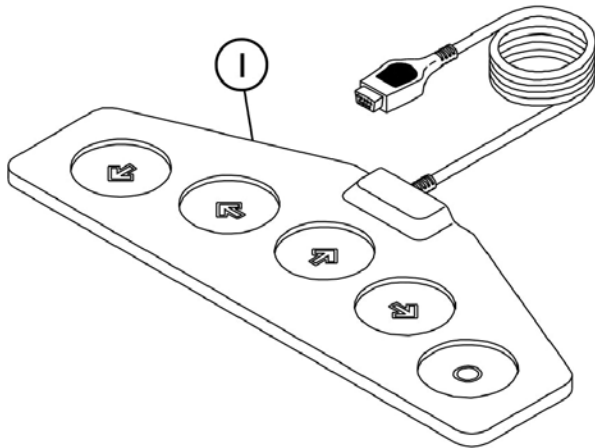
Joystick Options

Item Number	Note	Part Number	Description	Quantity Per	
				Package	Assembly
1		1038638-NLA	NLA - Joystick, MKIV Dual/Compact	1	1
2	A	1108012	Hardware, Dual/Compact Joystick Clamp Mounting	1	1
3		1025048	Clamp	1	1
4		1021460	Screw, Socket Button Head (#10-32 x 5/16")	1	4
5		1025045-NLA	NLA - Clamp, Mounting	1	1
6		1027089-NLA	NLA - Screw, Socket Head (#10-24 x 1/2")	1	1
7		1026273-NLA	NLA - Spacer, Split (3/8" I.D.)	1	1
8	B	60102524	Kit, Chin Cup Assembly - 1826	1	1
9		1017545	Cup, Chin	1	1
10	L	1017612-NLA	NLA - Screw, Adaptor	1	1
11		90032X000	Screw, Set Socket Cup Point (#8-32 x 1/4")	1	1
12	C	1044917	Hardware, Rear Cane Mount (1673/RCM)	1	1
13		1044918-NLA	NLA - Tube, Joystick	1	1
14		1026298	Package, Screw with Washer (#10 x 7/8") (Pair)	1	2
15		1027274	Adjustment Lock Assemnbly, Black	1	1
16		1025245-NLA	NLA - Bracket, Upright, Black -Right	1	1
17		1027095	Plug Button, Black (7/8")	1	1
18	D	1052309	Tube, Arm Mount with Plug Button, Black	1	1
19		1025590	Joystick, Attendant Control (1552M)	1	1
20		1041544-NLA	NLA - Joystick, Heavy Duty	1	1
21	E	1052719-NLA	NLA - Kit, Straight Joystick Tube with Hardware	1	1
22		1016401-NLA	NLA - Screw, Phillips Round Head (#10-32 x 3/8")	1	3
23		1091353-NLA	NLA - Touchpad, Joystick Assembly	1	1
24	F	1092604-NLA	NLA - Kit, Straight Joystick Tube with Hardware	1	1
25		1052041	Screw, Phillips Pan Head (#4-40 x 3/8")	1	4
26	G	1093071	Clamp, Fixed Height Joystick Tube	1	1
27	K	1139422	Clamp, Height Adjustable Joystick Tube (ARM250)	1	1
28	I	1020818	Switch, Red Flex Ribbon (Tape) Reset	1	1
28	J	1123276	Kit, Switch, Black Egg Reset w/ Hook/Loop Adhesive Back Fastener & Attaching Screws (EGSBLK)	1	1
29	H	1118231-NLA	NLA - Cable, MK5 EX Controller Option	1	1

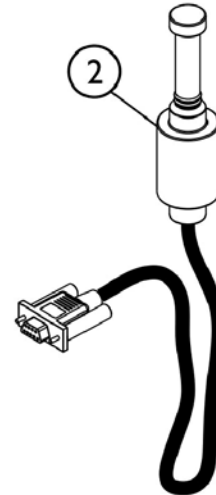
NOTE: A - Includes items 3-7
 B - Includes items 9-11
 C - Includes items 13-17
 D - Includes item 17
 E - Includes items 17 and 22
 F - Includes items 17 and 25
 G - Clamp assembly is used for all joystick tubes listed
 H - The 5 pin connector attaches to MKIV joystick options, MK5 S.A.C., MK5 T.A.C. or MK5 T.R.C.M. controllers.
 I - Before 5/24/04
 J - Not Shown. After 5/23/04 the Egg Reset Switch replaced the Red Flex Ribbon (Tape) Reset Switch
 K - Introduced as an option (ARM250) and can be used to replace a Fixed Height Joystick Clamp
 L - Part #1017612 is no longer available as a service part individually. Order item #8 as a replacement.

Tash and Therafin Accessories

NOTE: Used with (MK5 display or MPJ joystick) with SNPM4 Sip-N-Puff/Digital interface



P5018 Wafer Board

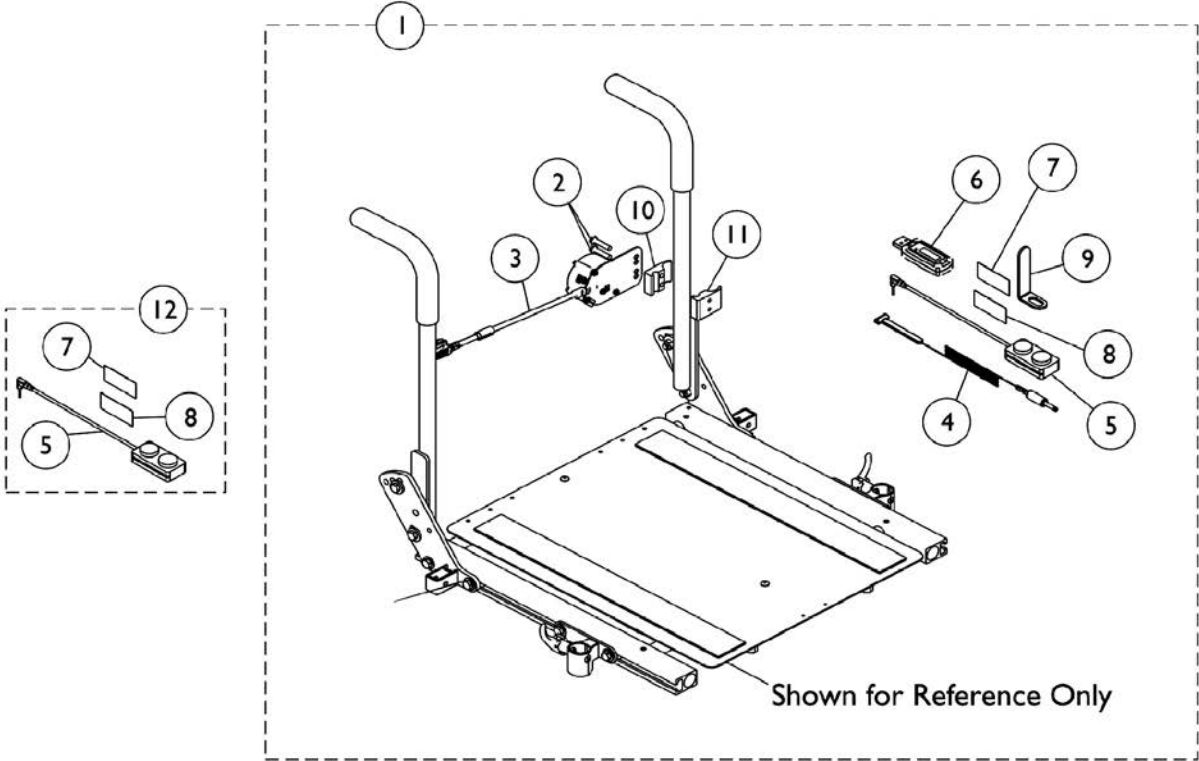


P5020 Mini Joystick with Push

SHEP_089A

Item Number	Note	Part Number	Description	Quantity Per	
				Package	Assembly
1		P5018-NLA	NLA - Wafer Board (5018)	1	1
2		P5020-NLA	NLA - Mini Joystick with Push (5020)	1	1
	A	1142362	Bib Assembly (PKG32669)	1	1
	A,B	1140824	Kit, Sip-N-Puff, 16" Fixed (PKG32666) Includes: (3) Air Tube Straws, (2) Saliva Traps, Tubing, Pivot Shaft/Flexible Metal Gooseneck Assembly, and Extruded Figure "8" Clamp to fit 7/8" Wheelchair Frame Tubing. Extruded Back Cane Adapter Clamp.	1	1
NOTE: A - Not Shown B - See items included.					
For more information on Tash and Therafin products, please contact one of our Rehab Specialists.					

MK6i IR Wireless Mouse Module

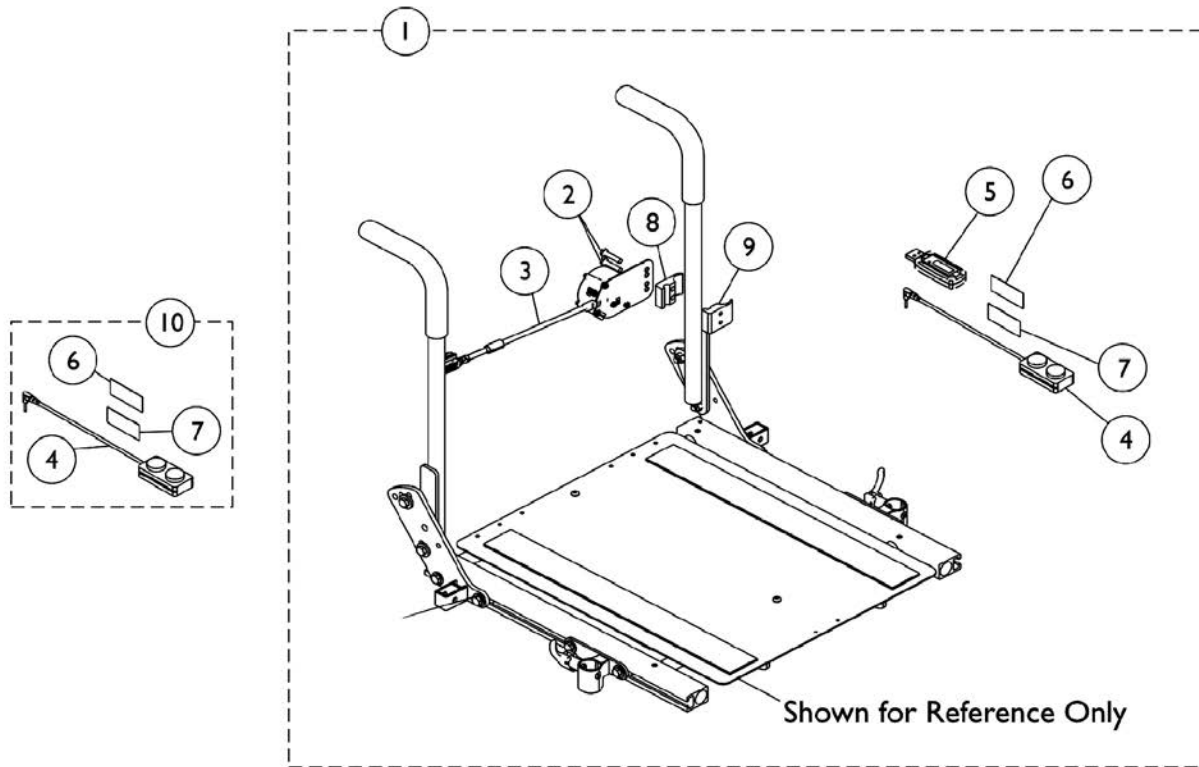


MK6i IR Wireless Mouse Module

Item Number	Note	Part Number	Description	Quantity Per	
				Package	Assembly
1	A,C	See Note	See Footnote	1	1
3	D	See Note	See Footnote	1	1
4		1154089	Emmitter, IR, Single Head	1	1
12	B	1153635	Kit, Switch, Dual Push Button (2PB)	1	1

NOTE: A - Includes items 2-11, tie wraps and owner's manual.
 B - Includes items 5, 7 and 8.
 C - Item #1 IR Mouse Mounting Assembly w/ Clamp is no longer available as a serviceable kit.
 D - Item #3 IR Mouse Module Assembly is no longer available as a service part.

MK6i RF Wireless Mouse Module



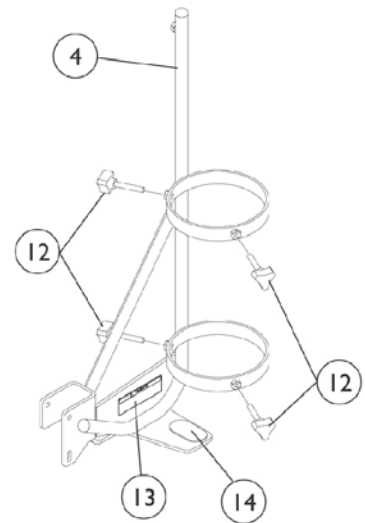
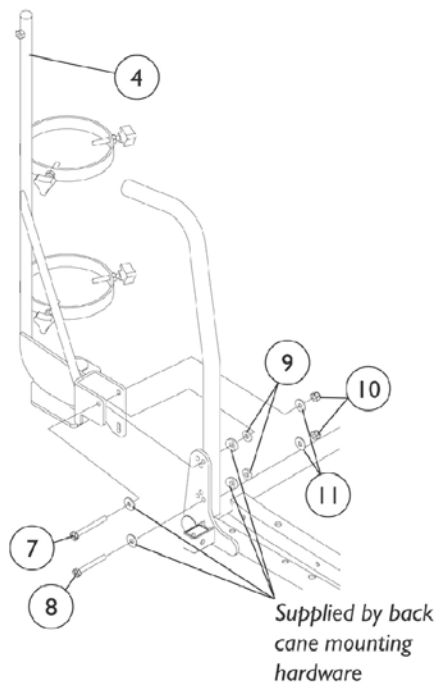
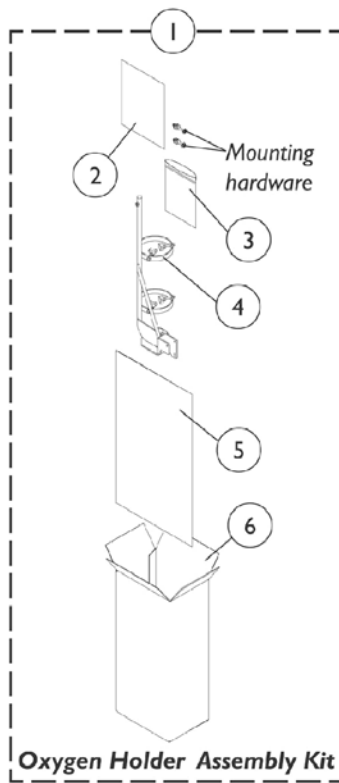
MK6i RF Wireless Mouse Module

Item Number	Note	Part Number	Description	Quantity Per	
				Package	Assembly
1	B	1170140	RF Mouse Mounting Assembly w/ Clamp	1	1
2			NLA - Screw, Hex Head (1/4-20 x 1-1/8")	1	2
3			NLA - RF Mouse Module Assembly (63" L)	1	1
4			Switch, Push Button Dual	1	1
5			USB, IR/RF Mouse Dongle, Programmed	1	1
6			Hook, Material	1	1
7			Loop, Material	1	1
8			Half Clamp, Non-Threaded Holes	1	1
9			NLA - Half Clamp, Threaded Holes	1	1
			Tie Wrap (5-5/8" L)	1	5
	Owner's Manual, RF Mouse	1	1		
3		1170124-NLA	NLA - RF Mouse Module Assembly (63" L)	1	1
10	B	1153635	Kit, Switch, Dual Push Button (2PB)	1	1

NOTE: B - Includes items 4, 6 and 7.

Oxygen Holder Assembly

ASBA Seats (Before 10/04/05)



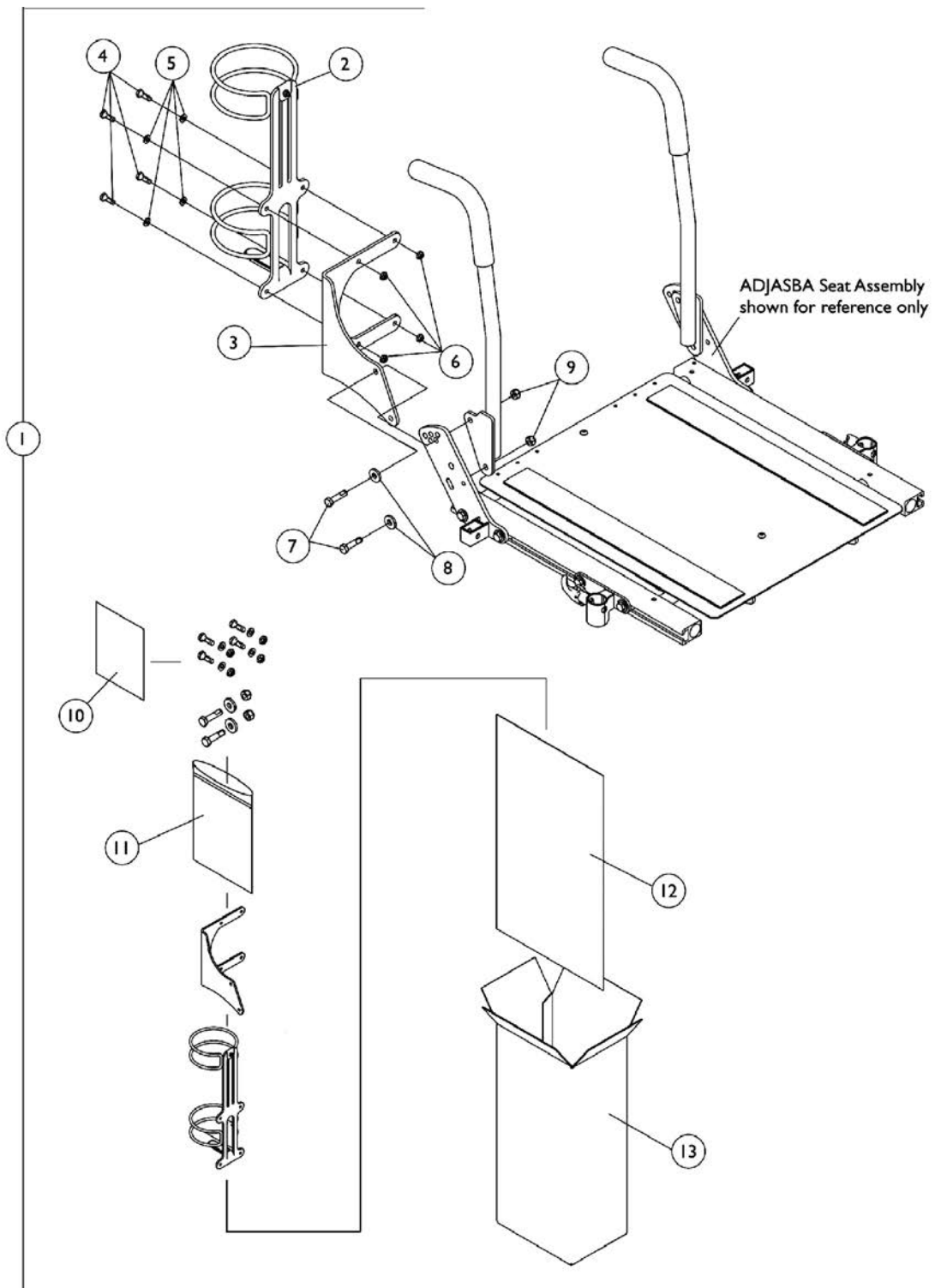
Oxygen Holder Assembly ASBA Seats (Before 10/04/05)

Item Number	Note	Part Number	Description	Quantity Per	
				Package	Assembly
1	A	1098857-NLA	NLA - Oxygen Holder Assembly Kit	1	1
2	B	1098333-NLA	NLA - Instruction Sheet, Oxygen Holder	1	1
3		1021148-NLA	NLA - Bag, Poly Zip-Lip (8-3/4" L x 6" W)	1	1
4		See Item 1	Oxygen Holder	1	1
5		1021866-NLA	NLA - Bag, Poly (26" L x 15" W)	1	1
6		1097276-NLA	NLA - Carton, Shipper	1	1
7		1096839-NLA	NLA - Screw, Hex Head (1/4-20 x 2-1/4")	1	1
8		1096838-NLA	NLA - Screw, Hex Head (1/4-20 x 2")	1	1
9		1018739	Washer (1/4 x 5/8 x 3/32")	1	2
10		1025736	Locknut (1/4-20)	1	2
11		1026900	Washer (1/4 x 23/32 x 1/16")	1	2
12		1027684	Knob, Clamping, Black	1	4
13		1080866	Decal, Oxygen Warning - English	1	1
14		1072002-NLA	NLA - Pad, Non Skid	1	1

NOTE: A - Includes items 2-6 and 7-11
 B - Item is no longer available from the Invacare Service Parts Department. Refer to the Invacare Website under "Product Literature Search". Enter the part number in the "Keywords" field and download a free PDF version copy.

Oxygen Holder Assembly

ADJASBA Seats (After 10/03/05)

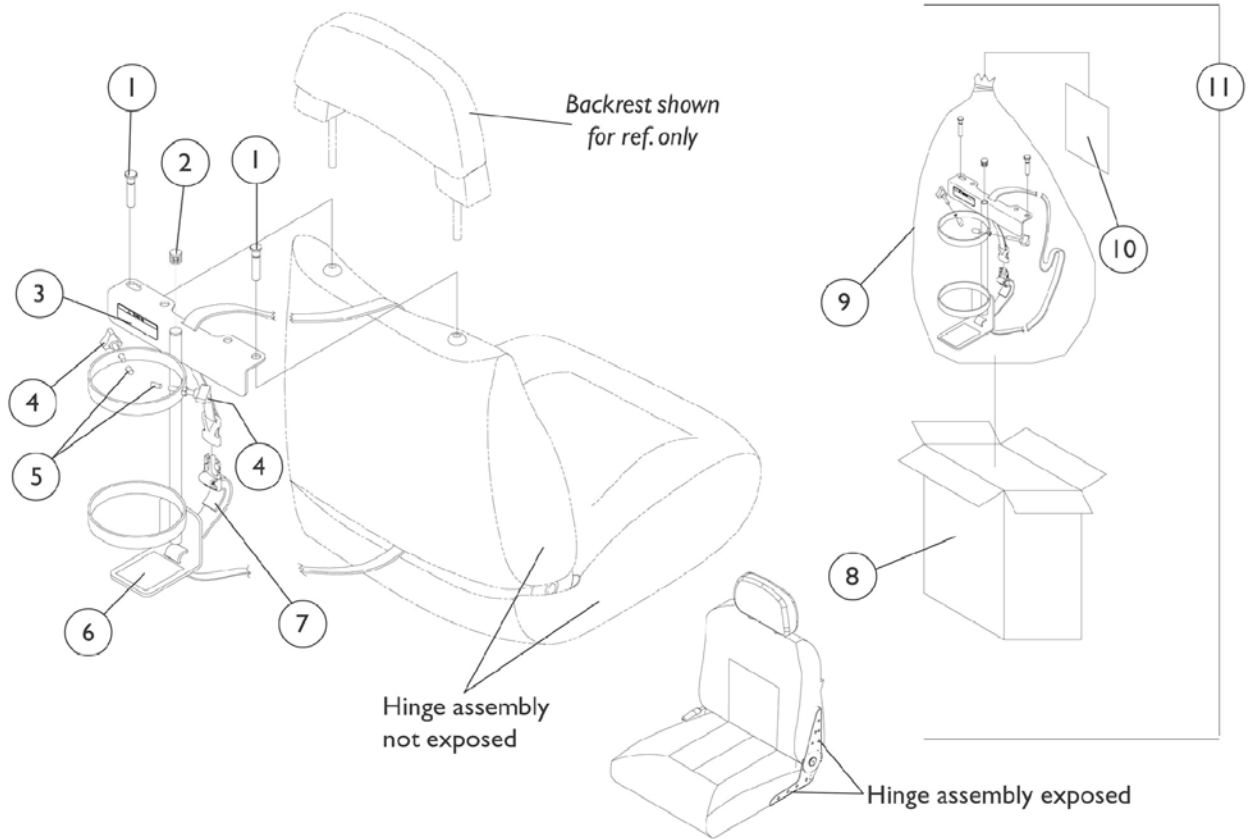


Oxygen Holder Assembly ADJASBA Seats (After 10/03/05)

Item Number	Note	Part Number	Description	Quantity Per	
				Package	Assembly
1	A	1135504	Kit, Oxygen Holder Assembly For ADJASBA Seats	1	1
2			Holder, Oxygen	1	1
3			Bracket, Oxygen Holder (ASBA and ADJASBA Seats)	1	1
4			Screw, Hex Head w/ Patch (1/4-20 x 3/4")	1	4
5			Washer (1/4 x 1/2 x 1/16")	1	4
6			NLA - Locknut (1/4-20)	1	4
7			Screw, Hex Head w/ Patch (5/16-18 x 1-1/4")	1	2
8			Washer, Flat (21/64 x 53/64 x 7/64")	1	2
9			Locknut (5/16-18)	1	2
10			Instruction Sheet, Oxygen Holder For ADJASBA Seats	1	1
11			NLA - Bag, Poly Zip-Lip (8-3/4" L x 6" W)	1	1
12			NLA - Bag, Poly (26" L x 15" W)	1	1
13			NLA - Carton, Shipper	1	1

NOTE: A - Includes items 2-13

Oxygen Holder Assembly Before 4/15/03 Van Seat

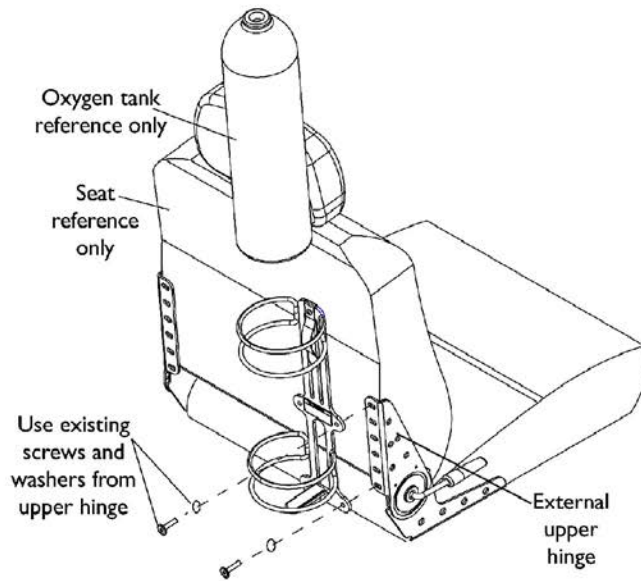


Oxygen Holder Assembly Before 4/15/03 Van Seat

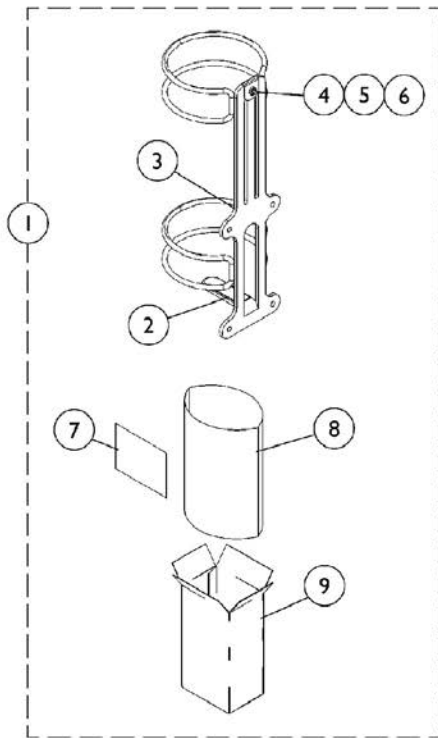
Item Number	Note	Part Number	Description	Quantity Per	
				Package	Assembly
1	A	1080865-NLA	NLA - Pin, Oxygen Holder	1	2
2		1035614	Plug Button, Black (5/8")	1	1
3		1080866	Decal, Oxygen Warning - English	1	1
4		1027684	Knob, Clamping, Black	1	2
5		1086780-NLA	NLA - Package, Protective Cap	10	2
6		1073159-NLA	NLA - Pad, Non-Skid	1	1
7		1080872-NLA	NLA - Strap and Buckle Assembly	1	1
8		1083052-NLA	NLA - Carton, Shipper, Oxygen Holder	1	1
9		2000454-NLA	NLA - Bag, Poly (39" L x 33" W)	1	1
10		1080869-NLA	NLA - Instruction Sheet, Oxygen Holder	1	1
11	B,C	1080870-NLA	NLA - Oxygen Holder Assembly with Instruction Sheet	1	1

NOTE: A - Oxygen holder pins are to be used when backrest is absent.
 B - Includes items 1-10
 C - Due to product improvement, see oxygen holder assemblies dated after 4/14/03 that will accommodate both (exposed and non-exposed) captain seat hinge assemblies. Special orders are no longer needed for exposed hinge assembly models.

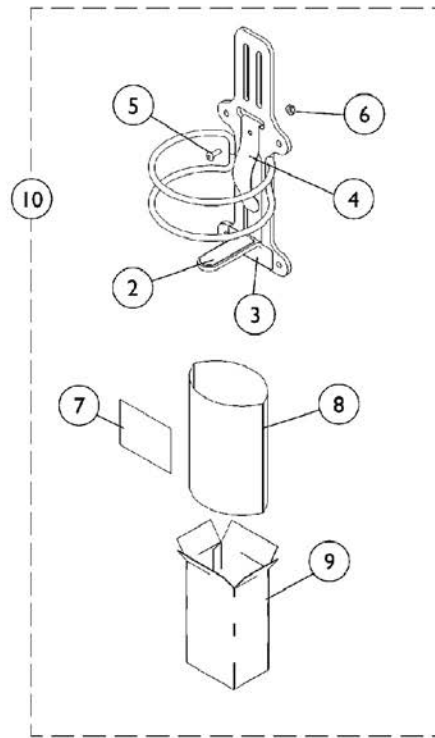
Oxygen Holder Assembly After 4/14/03 Van Seat



**Installing on Seat
with External Hinge**



O2 Holder D or E size tanks



**O2 Holder Home Filled Tank
(HFO2-ML6)**

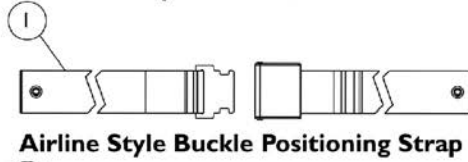
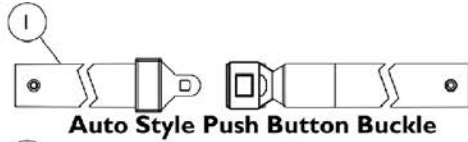
Oxygen Holder Assembly After 4/14/03 Van Seat

Item Number	Note	Part Number	Description	Quantity Per	
				Package	Assembly
1	A	1116956	Oxygen Holder Assembly(D or E Tanks)	1	1
2		1116950-NLA	NLA - Pad, Non-Skid	1	1
3		1080866	Decal, Oxygen Warning - English	1	1
4		1116945	Spring, Oxygen Holder	1	1
5		1072319-NLA	NLA - Screw, Socket Button Head (#10-32 x 1/2")	1	1
6		1025735	Locknut (#10-32)	1	1
7	B	1116957-NLA	NLA - Instruction Sheet, Oxygen Holder	1	1
8		1021866-NLA	NLA - Bag, Poly (26" L x 15" W)	1	1
9		1063960	Carton	1	1
10	A	HFO2-ML6	Oxygen Holder Assembly (Home Filled Tank)	1	1

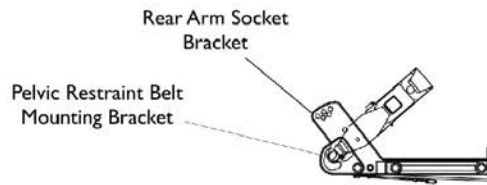
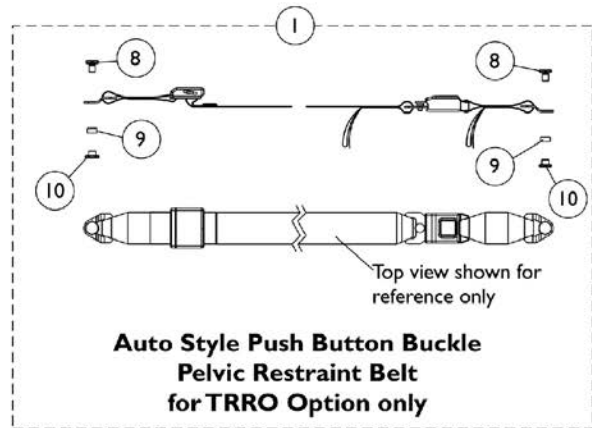
NOTE: A - Includes Oxygen Holder plus items 2-9. For seats with an EXTERNAL (visible) hinge assembly.
 B - Item is no longer available from the Invacare Service Parts Department. Refer to the Invacare Website under "Product Literature Search". Enter the part number in the "Keywords" field and download a free PDF version copy.

Miscellaneous Accessories

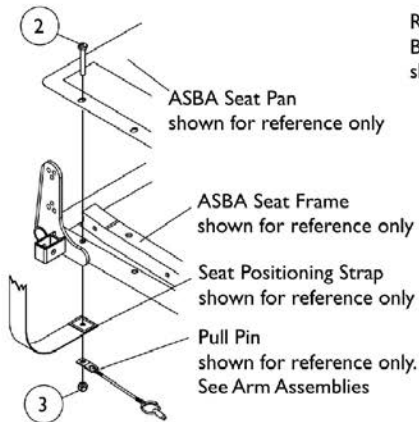
NOTE: Chest Positioning Straps share the same hardware that attaches a Back Upholstery



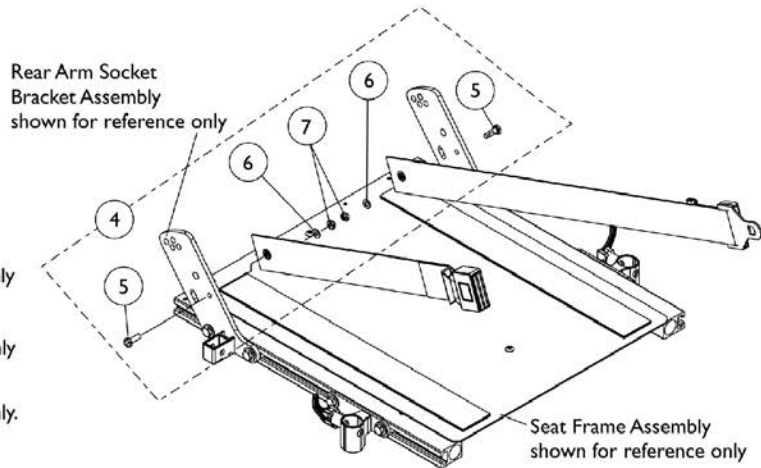
**Positioning Straps
(For ASBA and ADJASBA Seating
without TRRO Option)**



**Pelvic Restraint Belt Mounting Location
(For ADJASBA Seating w/ TRRO Option)**



**Seat Positioning Strap
Mounting Hardware
(For ASBA Seating)**



**Seat Positioning Strap
Mounting Hardware
(For ADJASBA Seating)**

Miscellaneous Accessories

NOTE: Chest Positioning Straps share the same hardware that attaches a Back Upholstery

Item Number	Note	Part Number	Description	Quantity Per	
				Package	Assembly
1		See Chart	#1 Auto Style Push Button Positioning Strap	1	1
1		See Chart	#1 Airline Style Positioning Strap	1	1
1		See Chart	#1 Hook and Loop Style Positioning Strap	1	1
1	C	See Chart	#1 Pelvic Restraint Belt w/ Auto Style Buckle (TRRO Option Only)	1	1
2		1037610	Screw, Hex Head (1/4-20 x 1-5/8")	1	2
3		1025736	Locknut (1/4-20)	1	2
4	A	1124385	Kit, Seat Positioning Strap Mounting Hardware (both LT & RT sides)	1	1
5			Screw, Hex Head w/ Patch (1/4-20 x 3/4")	1	2
6			Washer (1/4 x 1/2 x 1/16")	1	2
7			NLA - Locknut (1/4-20)	1	2
8		1134055-NLA	NLA - Screw, Hex Head (3/8-24 x 5/8")	1	2
9		1134054-NLA	NLA - Bushing, Nylon (1/2 x 9/16 x 9/32")	1	2
10		1134056-NLA	NLA - Nut, Barrel (3/8-24)	1	2
	B	40176X010-NLA	NLA - Pump, Tire	1	1

NOTE: A - Includes items 5-7
 B - Not Shown
 C - Before ordering a replacement Pelvic Restraint Belt for TRRO Option, Please read the information provided on page titled "TRRO and TRBKTS Option Clarification Reference" page

#1 Auto Style Push Button Positioning Strap

Chair Width	Part Number	Seat/Chest Positioning Strap w/ Auto Style Buckle Length (Eyelet to Eyelet)
16" - 19" Wide	1004310	48" L
20" - 22" Wide	1034625	61" L
23" - 24" Wide	1034622-NLA See Note(s) A	69" L

NOTE: A - For replacement contact The Aftermarket Group (TAG).

#1 Airline Style Positioning Strap

Chair Width	Part Number	Seat/Chest Positioning Strap w/ Airline Style Buckle Length (Eyelet to Eyelet)
16" - 19" Wide	TAGTS1034751-NLA	46" L
20" Wide	1034752	61" L

Miscellaneous Accessories

NOTE: Chest Positioning Straps share the same hardware that attaches a Back Upholstery

#1 Hook and Loop Style Positioning Strap

Chair Width	Part Number	Seat/Chest Positioning Strap w/ Hook and Loop Style Buckle Length (Eyelet to Eyelet)
16" - 19" Wide	1034744 See Note(s) A	45" L
20" Wide	1034745 See Note(s) A	61" L

NOTE: A - Hook and Loop Style Positioning Straps for power chairs used for chest positioning only.

#1 Pelvic Restraint Belt w/ Auto Style Buckle (TRRO Option Only)

Chair Width	Part Number	Pelvic Restraint Belt w/ Auto Style Buckle Length For TRRO Option Only (Bushing Hole to Bushing Hole Length)
16" - 20" Wide	1134475-NLA See Note(s) A	37" L

NOTE: A - Includes the Pelvic Restraint Belt and items 8-10

Power Wheelchair Tool Kit

1



Multimeter with Leads



Grounding Wire



1" Test Leads



Protractor/Angle Locator



Invacare Pen Light



Invacare Tape Measure



Invacare Phillips/Flat Head Screwdriver



MKIV Programmer



Virtual Service Charger Cable

Power Wheelchair Tool Kit

Item Number	Note	Part Number	Description	Quantity Per	
				Package	Assembly
1		1125222-NLA	NLA - Kit, Power Wheelchair Tool Includes: 1 ea. Multimeter with Leads 1 ea. Locator, Protractor/Angle Magnetic Base 1 ea. Instructions, MKIV Programmer 1 ea. Wire, Grounding with Hand Strap and Clip 1 ea. Leads, 1" Test 1 ea. Light, Pen with Invacare Logo 1 ea. Tape Measure, Compact with Invacare Logo 1 ea. Screwdriver, Pen-Size Phillips/Flat Head 1 ea. Cable, Virtual Service Charger/Modem	1	1

Warranty Replacement Parts

Part Number	Description	QTY per Assembly
1123249E-NLA See Note(s) A, B	WARR RPLMT - Charger, Battery, 8 Amp, 115VAC (Off Board) Single Mode Round Plug w/ AC Power Line Cord, CTE Corp.	1
1123526E-NLA See Note(s) B	WARR RPLMT - Charger, Battery, Dual Mode 5 Amp (On Board)	1
1121492E-NLA See Note(s) C	WARR RPLMT - Motor/Gearbox Assembly w/ Brake Cap - Right	1
1121491E-NLA See Note(s) C	WARR RPLMT - Motor/Gearbox Assembly w/ Brake Cap - Left	1
1121489E-NLA See Note(s) D	WARR RPLMT - Motor/Gearbox Assembly - Right	1
1121490E-NLA See Note(s) D	WARR RPLMT - Motor/Gearbox Assembly - Left	1
NOTE: A - See Category "Battery Chargers - Straps - Hardware (Before 12/19/03)" for additional information. B - See Category "Battery Chargers - Straps - Hardware (After 12/18/03)" for additional information. C - See Category "Motor & Gearbox Assembly - 400 Lb. Limit" for additional information. D - See Category "Motor & Gearbox Assembly - 300 Lb. Limit" for additional information.		

Invacare Corporation

www.invacare.com



Yes, you can.

One Invacare Way
Elyria, Oh USA
44036-2125
800-333-6900

Technical Support
800-832-4707
Customer Service
800-333-6900

Customer Service
800-333-6900

© 2022 Invacare Corporation. All rights reserved. Republication, duplication or modification in whole or in part is prohibited without prior written permission from Invacare. Trademarks are identified by [™] and ©. All trademarks are owned by or licensed to Invacare Corporation or its subsidiaries unless otherwise noted. (Revised 05/18/22)

Form No. 02-014