

Veranda™
Transport
(Bariatric, Lightweight, Aluminum)

Wheelchairs



Yes, you can.

Parts Catalog Usage Guide

The information contained in this document is subject to change without notice. This catalog contains service parts for Form No. 02-013. If you have any questions regarding this catalog, please contact one of our Customer Service Representatives.

For Customer Service Support Call:

1-800-333-6900

For Faxed In Orders Call:

1-800-678-4682 or

1-440-366-0709

For Technical Service Call:

1-800-832-4707

Literature Can Be Found at:

www.invacare.com or

1-800-828-6272

SYMBOL DEFINITION

Throughout this catalog you will notice letters to draw your attention to specific footnotes which are located at the bottom of the page or below specified charts.

Examples:

A,B,C etc. = Special Comments

NOTE: = General information pertaining to that specific page

NLA = No Longer Available

HARDWARE MEASUREMENTS

The measurements for the hardware will be listed as follows:

Screws, Bolts Diameter X Thread Count/Pitch X Length

Washers Inside Diameter X Outside Diameter X Thickness

Spacers Inside Diameter X Outside Diameter X Length

For your convenience, we have supplied an area for you to list your Invacare Representatives.

Name	Phone Numbers

© 2022 Invacare Corporation, Elyria, Ohio. Invacare and the Medallion Design are registered trademarks of the Invacare Corporation.

TABLE of CONTENTS

Description	Page Number
01. Chair Components - Invacare Bariatric Transport - TRHD22FR (Before 9/22/09)	3
02. Chair Components - Invacare Bariatric Transport - TRHD22FR (After 9/21/09)	5
03. Chair Components - Invacare Transport - ALR/ALB Series (12" Wheels)	7
04. Chair Components - Invacare Transport - TRAN Series (TRAN86 & TRAN06)	9
05. Chair Components - Invacare Transport - TRAN Series (TRAN17FR & TRAN19FR)	12
06. Chair Components - Invacare Lightweight Transport - LTTR/LTTB Series	14
07. Chair Components - Veranda Wheelchair	16
08. Front Riggings - Footrest Support Assembly - T93H Series - Invacare Transport Only	19
09. Front Riggings - Legrest Support Assembly - T94H Series - Invacare Transport Only	21
10. Front Riggings - Calf Pads - T94H Legrest	23
11. Front Riggings - Pivot/Slide Tube w/ Footplate - T93H/T94H Series - Invacare Transport Only	24
12. Front Riggings - Footrest Assembly - Invacare Lightweight Transport & Invacare Aluminum Transport	28
13. Front Riggings - Pivot/Slide Tube w/ Footplate - Invacare Transport Only	30
14. Front Riggings - Footrest Support Assembly - T93H Series - Veranda Only	33
15. Front Riggings - Pivot/Slide Tube w/ Footplate - T93H Series - Veranda Only	36
16. Front Riggings - Legrest Support Assembly - T94H Series - Veranda Only	39
17. Front Riggings - Pivot/Slide Tube w/ Footplate - T94H Series - Veranda Only	42
18. Miscellaneous Accessories - Seat/Chest Positioning Straps	46
19. Literature	47

Invacare Bariatric Transport Chair TRHD22FR (Before 9/22/09)



Invacare Bariatric Transport Chair TRHD22FR (Before 9/22/09)

Item Number	Note	Part Number	Description	Quantity Per	
				Package	Assembly
1		1132515	Kit, Hand Grip (Pair)	1	1
2		1132507-NLA	NLA - Kit, Arm Pad w/ Screws (Pair)	1	1
3	B	1132509-NLA	NLA - Kit, Arm Assembly, Chrome - Right (Includes Arm, Clothing Guard, Arm Pad and Hardware)	1	1
3	B	1132512-NLA	NLA - Kit, Arm Assembly, Chrome - Left (Includes Arm, Clothing Guard, Arm Pad and Hardware)	1	1
4	C	1132510-NLA	NLA - Front Rigging with Hardware, Chrome - Right	1	1
4	C	1132511-NLA	NLA - Front Rigging with Hardware, Chrome - Left	1	1
5		1132506	Kit, Wheel, Front - Includes Fork and Front Wheel Assembly, (2) Bearings, Locknut and Head Tube Cap	1	2
6		1132505	Wheel Assembly with Hub Cap - Rear	1	2
7		1132513	Wheel Lock Assembly - Right - Includes Complete Wheel Lock Assembly and Mounting Hardware	1	1
7		1132514	Wheel Lock Assembly - Left - Includes Complete Wheel Lock Assembly and Mounting Hardware	1	1
	A	1141761	Package, Cap, End, Black, Head Tube	10	1
	A	1125095-NLA	NLA - Manual, Invacare Transport, Lightweight Transport, Bariatric Transport	1	1
8		1149223-NLA	NLA - Hand Brake w/Cable Assembly (Pair)	1	1
9		1149923	NLA - Upholstery Kit, Back w/Hardware	1	1
10		1149924-NLA	NLA - Upholstery Kit, Seat w/Hardware	1	1
11		1149928-NLA	NLA - Cap, Step Tube (Pair)	1	2
	D,E	1149926-NLA	NLA - Package, Spacers	25	1
	D,E	1149927-NLA	NLA - Package, Flanged Bearings	25	1

NOTE: A - Not Shown.
 B - Arm Assembly Kits in Silver Vein are currently not available. Order the right and left side Chrome Arm Kits to match.
 C - Front Rigging in Silver Vein is currently not available. Order the right and left side Chrome Front Riggings to match.
 D - Not shown.
 E - Used for Rear Wheel. Bearings and Spacers are No Longer Available. A new Rear Wheel Assembly item #6 must be ordered. Includes the Hub Cap, Flanged Bearings and Spacer also.

Invacare Bariatric Transport Chair TRHD22FR (After 9/21/09)



Invacare Bariatric Transport Chair TRHD22FR (After 9/21/09)

Item Number	Note	Part Number	Description	Quantity Per	
				Package	Assembly
1		1149923	NLA - Upholstery Kit, Back w/Hardware	1	1
2		1168462	Kit, Hand Grip	1	1
3		1168455-NLA	NLA - Kit, Arm Pad w/Screws (Pair)	2	1
4		1168456-NLA	NLA - Arm Assembly, Black - Right (Includes Arm, Clothing Guard, Arm Pad and Hardware)	1	1
4		1168459	Arm Assembly, Black - Left (Includes Arm, Clothing Guard, Arm Pad and Hardware)	1	1
5		1149924-NLA	NLA - Upholstery Kit, Seat w/Hardware	1	1
6		1168457	Front Rigging w/Hardware, Silver Vein - Right	1	1
6		1168458-NLA	NLA - Front Rigging w/Hardware, Silver Vein - Left	1	1
7		1168454-NLA	NLA - Kit, Wheel, Front (Includes Fork and Front Wheel Assembly, (2) Bearings, Locknut and Head Tube Cap	1	2
8		1141761	Package, Cap, End, Black, Head Tube	10	1
9		1168453-NLA	NLA - Wheel Assembly w/ Hub Cap - Rear	1	2
10		1168460-NLA	NLA - Wheel Lock Assembly - Right (Includes Complete Wheel Lock Assembly and Mounting Hardware)	1	1
10		1168461-NLA	NLA - Wheel Lock Assembly - Left (Includes Complete Wheel Lock Assembly and Mounting Hardware)	1	1
11		1149223-NLA	NLA - Hand Brake w/Cable Assembly (Pair)	2	1
	A,B	1149926-NLA	NLA - Package, Spacers	25	1
	A,B	1149927-NLA	NLA - Package, Flanged Bearings	25	1

NOTE: A - Not shown
B - Used for Rear Wheel. Bearings and Spacers are No Longer Available. A new Rear Wheel Assembly item #9 must be ordered. Includes the Hub Cap, Flanged Bearings and Spacer also.

Invacare Transport Chair with 12" Wheels ALR/ALB Series



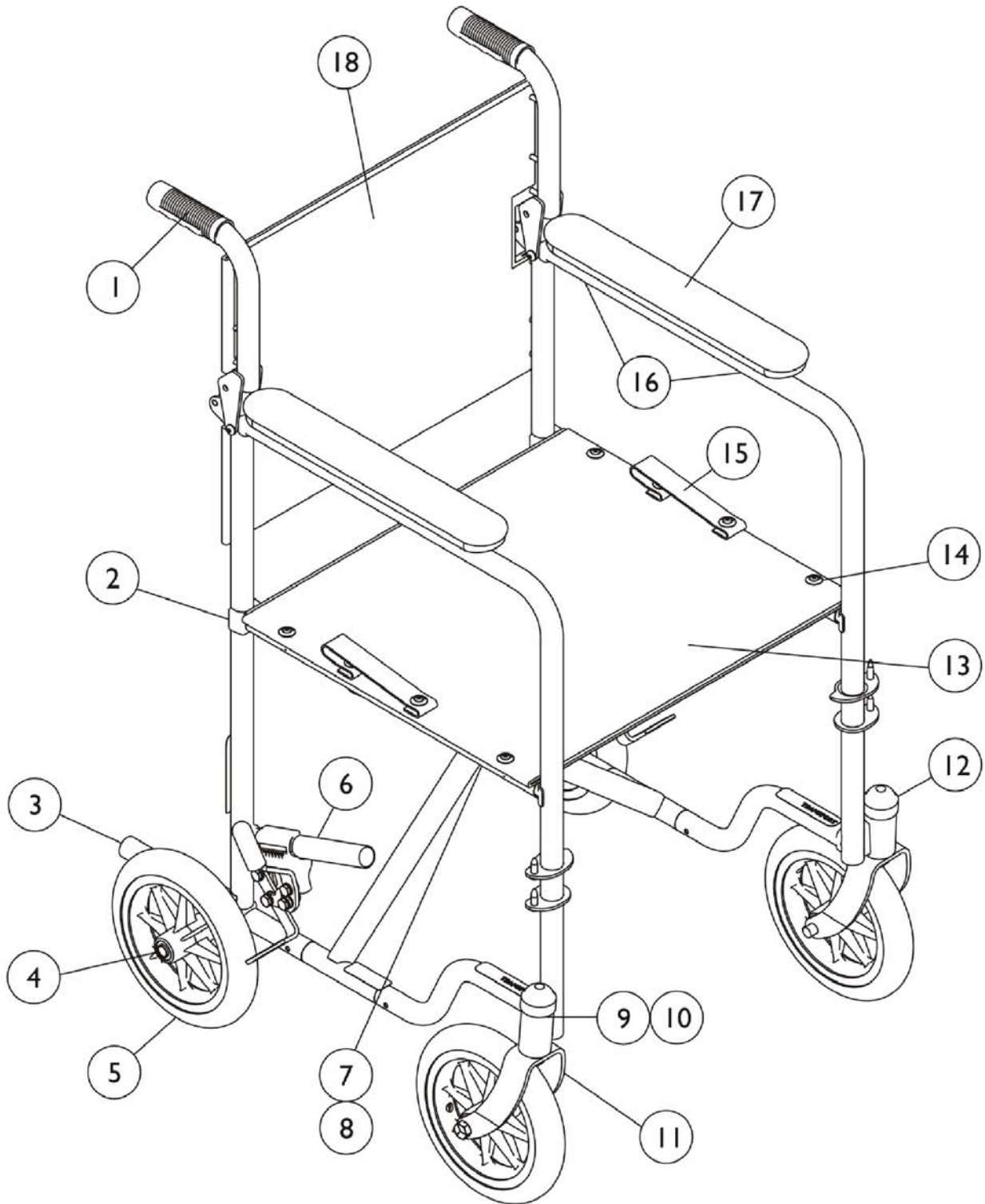
Invacare Transport Chair with 12" Wheels ALR/ALB Series

Item Number	Note	Part Number	Description	Quantity Per	
				Package	Assembly
1		1130764-NLA	NLA - Upholstery, Back, Nylon (17" W x 18" H)	1	1
1		1130765-NLA	NLA - Upholstery, Back, Nylon (19" W x 16"D)	1	1
2		1122102-NLA	NLA - Armrest Pad Assembly	1	1
3		1122107-NLA	NLA - Upholstery, Seat, Nylon (17" W x 18" D)	1	1
3		1122109-NLA	NLA - Upholstery, Seat (19" W x 18" D)	1	1
4		1122101-NLA	NLA - Hardware, Hinge Plate	1	1
5		1122093-NLA	NLA - Footrest, Blue - Right	1	1
5		1122094-NLA	NLA - Footrest, Blue - Left	1	1
5		1122095-NLA	NLA - Footrest, Red - Right	1	1
5		1122096-NLA	NLA - Footrest, Red - Left	1	1
6		1125020-NLA	NLA - Fork Assembly, Blue	1	1
6		1122103-NLA	NLA - Fork Assembly, Red	1	1
	A	1122097-NLA	NLA - Footrest Assembly, Red (Pair)	1	1
	A	1122100-NLA	NLA - Footrest Assembly, Blue (Pair)	1	1
7		1122105-NLA	NLA - Kit, Wheel w/ Hardware - Front	1	1
8	B,D	1130766-NLA	NLA - Kit, Wheel w/ Attaching Hardware (12")	1	1
8	C	1149802-NLA	NLA - Kit, Wheel w/ Hardware - Rear (12")	1	1
9		1122099-NLA	NLA - Guide, Seat	1	1
10	E	1130767-NLA	NLA - Wheel Lock Assembly - Right	1	1
10	E	1130768-NLA	NLA - Wheel Lock Assembly - Left	1	1
	A	1130769-NLA	NLA - Wheel Lock Assembly (Pair)	1	1
	A	1122098-NLA	NLA - Cover, Step Tube - Rear	1	1
	A	1130770-NLA	NLA - Carton	1	1
	A	1130771-NLA	NLA - Insert, Top	1	1
	A	1130772-NLA	NLA - Insert, Arm	1	1
	A	1130773-NLA	NLA - Insert	1	1
	A	1125095-NLA	NLA - Manual, Invacare Transport, Lightweight Transport, Bariatric Transport	1	1
11		1132515	Kit, Hand Grip (Pair)	1	1

NOTE: A - Not shown.
B - Before 10/15/07. Wheel Assembly includes wheel, bolt, locknut and hub cap.
C - After 10/14/07. Wheel Assembly includes wheel, bolt, locknut and hub cap.
D - Kit Part No. 1130766 is no longer available. Order Kit Part No. 1149802 as a replacement.
E - When replacing the Wheel Lock Assemblies, Part Number 1132515 must be ordered also.

Invacare Transport - TRAN Series (TRAN86 & TRAN06)

See Section Titled, "Invacare Transport Only" for T93H/T94H Series Front Rigging Options.



Invacare Transport - TRAN Series (TRAN86 & TRAN06)

See Section Titled, "Invacare Transport Only" for T93H/T94H Series Front Rigging Options.

Item Number	Note	Part Number	Description	Quantity Per	
				Package	Assembly
1		1021261	Grip, Hand (6")	1	2
2		1023617	Guide, Seat, Rear, Black	1	4
3	A	1016346	Cap, End, Tube, Black (7/8")	1	2
4	B	57667P007	Screw, Hex Head (7/16-20 x 3-1/4")	1	1
4	B	1026101-NLA	Spacer (7/16 x 5/8 x 3/16")	1	1
4	B	20225X000	Locknut (7/16-20)	1	1
5	B	1144243	Wheel Assembly, Composite Solid Rubber, Dark Grey (8 x 1-1/4")	1	4
			Bearing, Flange	1	2
			Spacer	1	1
			Tire and Wheel Assembly, Composite, Black (8")	1	1
6	I	1045861-NLA	NLA - Wheel Lock Assembly, Adult, Push to Lock, Black - Right	1	1
6	I	1045862-NLA	NLA - Wheel Lock Assembly, Adult, Push to Lock, Black - Left	1	1
6		1023493	Wheel Lock Assembly, Push to Lock - Right	1	1
6		1023494	Wheel Lock Assembly, Push / Lock - Left	1	1
7		40317X001	Screw, Hex Head (5/16-24 x 2-3/4")	1	1
8		7930363-NLA	NLA - Package, Locknut (5/16"-24)	25	1
9		7930302	Locknut (1/2-20)	25	1
10		7930317-NLA	NLA - Washer, Nylon (5/8 x 15/16 x 3/32")	25	1
11	C	1015789-NLA	NLA - Fork and Stem Assembly, Black	1	2
12		1141761	Package, Cap, End, Black, Head Tube	10	1
13	D	1127533	Kit, Nylon Seat Upholstery (18 x 16")	1	1
			Upholstery, Seat, U240 (18" W x 16" D)	1	1
14			Screw, Phillips Oval Head w/ Washer (#10-16 x 7/8")	1	12
13	D	1127535	Kit, Nylon Seat Upholstery (20 x 16")	1	1
			Upholstery, Seat, U240 (20" W x 16" D)	1	1
14			Screw, Phillips Oval Head w/ Washer (#10-16 x 7/8")	1	12
15		1111054-NLA	NLA - Strap, Folding	1	2
15		8881091731-NLA	NLA - Strap, Carrying	1	1
		A			
16		40183X002	Screw, Phillips Pan Head (#10-32 x 1-1/8")	1	4
17		1090420-NLA	NLA - Pad, Arm, Full, Vinyl, Black	1	2
18		1113694-NLA	NLA - Back, Nylon (18" W)	1	1
18		1113695-NLA	NLA - Back, Nylon (20" W)	1	1
	E	1125095-NLA	NLA - Manual, Invacare Transport, Lightweight Transport, Bariatric Transport	1	1
	E	1048862	Carton	1	1
	E,F	40131X041	Insert, Top Carton	1	1
	E,H	40131X039-NLA	NLA - Insert, Carton	1	2

Invacare Transport - TRAN Series (TRAN86 & TRAN06)

See Section Titled, "Invacare Transport Only" for T93H/T94H Series Front Rigging Options.

Item Number	Note	Part Number	Description	Quantity Per	
				Package	Assembly
	E,G	1061325-NLA	NLA - Insert, Front Removable Arm	1	1
NOTE: A - End cap with step is currently not available. B - When replacing the front caster wheel, order items 4-5, and 11. C - When replacing front fork & stem order items 4 and 5. D - Seat upholstery consists of (8) screws and back upholstery consists of (12). E - Not Shown. F - Fold rear canes down, fold insert and place on top of chair with insert opening positioned over rear of chair. G - Slide insert in at rear of chair. H - Fold into a "z" shape and slide the 2 inserts in front of the front casters. I - Longer Available. Use part #'s 1023493 and 1023494 as replacements.					

Invacare Transport - TRAN Series (TRAN17FR & TRAN19FR)

Footrest are packaged with the wheelchair and match frame finish. See Section Titled, "Invacare Transport Only" for T93H/T94H Series Front Rigging replacement Options.



See page titled, "Invacare Transport Only"
for T93H Pivot Slide Tube w/ Footplate
Options

Invacare Transport - TRAN Series (TRAN17FR & TRAN19FR)

Footrest are packaged with the wheelchair and match frame finish. See Section Titled, "Invacare Transport Only" for T93H/T94H Series Front Rigging replacement Options.

Item Number	Note	Part Number	Description	Quantity Per	
				Package	Assembly
1		1151521	Kit, Back Upholstery w/ Hardware, Nylon (17" W)	1	1
1		1151522	Kit, Back Upholstery w/ Hardware, Nylon (19" W)	1	1
2		1151512-NLA	NLA - Seat Upholstery Assembly, Nylon (17" W) Includes: Seat Upholstery, Carrying Strap and Hardware	1	1
2		1151513-NLA	NLA - Seat Upholstery Assembly, Nylon (19" W) Includes: Seat Upholstery, Carrying Strap and Hardware	1	1
3		1151516-NLA	NLA - Wheel Lock Assembly - Right	1	1
3		1151517	Wheel Lock Assembly - Left	1	1
		47376X024	Tip, Rubber Wheel Lock Handle, Black	1	1
4		1151515	Kit, Wheel w/ Hardware - Rear	1	1
5		1151514	Kit, Wheel w/ Hardware - Front	1	1
6		1151518-NLA	NLA - Fork and Stem Assembly	1	2
7		1151519-NLA	NLA - Package, Cap, End, Head Tube, Black	10	1
8		1090420-NLA	NLA - Pad, Arm, Full, Vinyl, Black	1	2
9		1023617	Guide, Seat, Rear, Black	1	2
10		1151520-NLA	NLA - Footrest Support Assembly, Silver Vein (Pair)	1	1

Invacare Lightweight Transport LTTR/LTTB Series



Invacare Lightweight Transport LTTR/LTTB Series

Item Number	Note	Part Number	Description	Quantity Per	
				Package	Assembly
1	A	1122106-NLA	NLA - Upholstery, Back, Nylon (17" W x 18" H)	1	1
1	A	1122108-NLA	NLA - Upholstery, Back, Nylon (19" W x 18" H)	1	1
2	B	1122107-NLA	NLA - Upholstery, Seat, Nylon (17" W x 18" D)	1	1
2	B	1122109-NLA	NLA - Upholstery, Seat (19" W x 18" D)	1	1
3	C	1122102-NLA	NLA - Armrest Pad Assembly	1	2
4	D	1122101-NLA	NLA - Hardware, Hinge Plate	1	1
5		1122103-NLA	NLA - Fork Assembly, Red	1	2
5		1125020-NLA	NLA - Fork Assembly, Blue	1	2
6	E	1122105-NLA	NLA - Kit, Wheel w/ Hardware - Front	1	2
7	E	1122104-NLA	NLA - Kit, Wheel w/ Hardware - Rear	1	2
8		1122098-NLA	NLA - Cover, Step Tube - Rear	1	2
9		1122099-NLA	NLA - Guide, Seat	1	4
10		1122093-NLA	NLA - Footrest, Blue - Right	1	1
10		1122094-NLA	NLA - Footrest, Blue - Left	1	1
10		1122095-NLA	NLA - Footrest, Red - Right	1	1
10		1122096-NLA	NLA - Footrest, Red - Left	1	1
	F	1122100-NLA	NLA - Footrest Assembly, Blue (Pair)	1	1
	F	1122097-NLA	NLA - Footrest Assembly, Red (Pair)	1	1
11		1148159-NLA	NLA - Wheel Lock Assembly (Pair)	1	1
	F	1048862	Carton	1	1
	F	40131X041	Insert, Top Carton	1	1
	F	1061325-NLA	NLA - Insert, Front Removable Arm	1	1
	F	40131X039-NLA	NLA - Insert, Carton	1	2
	F	1125095-NLA	NLA - Manual, Invacare Transport, Lightweight Transport, Bariatric Transport	1	1
<p>NOTE: A - Includes (8) Phillips Head Upholstery Screws, (2) Hex Head Screws, (2) Upper Metal Straps and (2) Lower Metal Straps. B - Includes (8)Phillips Head Upholstery Screws, (2) Hex Head Screws and (2) Metal Straps. C - Includes (1) Armrest Pad and Hardware. D - Includes 4-Hinge Pins, 4 Nuts and 4 Washers E - Includes 1-Wheel/Tire, 1-Axle Bolt and 1-Nut. F - Not shown.</p>					

Veranda Wheelchair

Footrest packaged with the wheelchair match frame finish. See Section Titled, "Veranda Only" for T93H/T94H Series Front Rigging replacement Options.

At this time, Upholstery replacements for 16" and 20" Chairs are unavailable.

The new front caster used on a 16 and 20" Chair was changed as of March 8, 2011 and for the 18" Chair was changed as of June 21, 2011. "New style caster is available through The Aftermarket Group as TAGRP265093"



Veranda Wheelchair

Footrest packaged with the wheelchair match frame finish. See Section Titled, "Veranda Only" for T93H/T94H Series Front Rigging replacement Options.

At this time, Upholstery replacements for 16" and 20" Chairs are unavailable.

The new front caster used on a 16 and 20" Chair was changed as of March 8, 2011 and for the 18" Chair was changed as of June 21, 2011. "New style caster is available through The Aftermarket Group as TAGRP265093"

Item Number	Note	Part Number	Description	Quantity Per	
				Package	Assembly
1		1132515	Kit, Hand Grip (Pair)	1	1
2		1152605	Kit, Back Upholstery w/ Hardware, Removable Arm (18 x 16")	1	1
2		1157814	Kit, Back Upholstery w/ Hardware, Fixed Arm (18 x 16")	1	1
3		1152604	Kit, Seat Upholstery w/ Hardware, Removable Arm (18 x 16")	1	1
3		1157813	Kit, Seat Upholstery w/ Hardware, Fixed Arm (18 x 16")	1	1
4		1153807	Kit, Arm Pad w/Hardware - Desk Length	1	1
4		1152606	Kit, Arm Pad w/Hardware - Full Length	1	1
5		1152607	Kit, Dust Cap	1	1
6	A	1151514	Kit, Wheel w/ Hardware - Front	1	2
7	B	1080380-NLA	NLA - Wheel Assembly, Composite, Non-Corded Urethane (24")	1	2
7	C,C1	1122726	Wheel Assembly, Composite, Corded Urethane (24")	1	2
8		1063919	Handrim, Composite, 9 PT., Black (24" wheel)	1	2
	D	1065791	Hardware, Handrim Attaching - 9 PT.	1	2
8	G	1055272-NLA	NLA - Handrim, Chrome, 6 PT. (24" Wheel)	1	2
8		1183681	Handrim, Aluminum, 6 PT, Clear Anodized (24" Wheel)	1	2
	D	1042074	Hardware, Handrim Attaching - 6 PT.	1	2
9	C,C1	40117X022	Bearing (1/2" I.D. x 1-3/8" O.D.)	1	2
9	C,C1	40117X024	Bearing (7/16" I.D. x 1-3/8" O.D.)	1	2
10	E	1111924	Wheel Lock Assembly, Push to Lock, Black - Right	1	1
10	E	1111925	Wheel Lock Assembly, Push to Lock, Black - Left	1	1
10	F	1101452	Wheel Lock Assembly, Push to Lock, Black - Right	1	1
10	F	1101453	Wheel Lock Assembly, Push to Lock, Black - Left	1	1
	D	1017677	Kit, Hardware, Wheel Lock (Pair)	1	1
			Bolt, Carriage (1/4-20 x 1-1/4")	1	2
			Nut, Hex Flang (1/4-20)	1	2

Veranda Wheelchair

Footrest packaged with the wheelchair match frame finish. See Section Titled, "Veranda Only" for T93H/T94H Series Front Rigging replacement Options.

At this time, Upholstery replacements for 16" and 20" Chairs are unavailable.

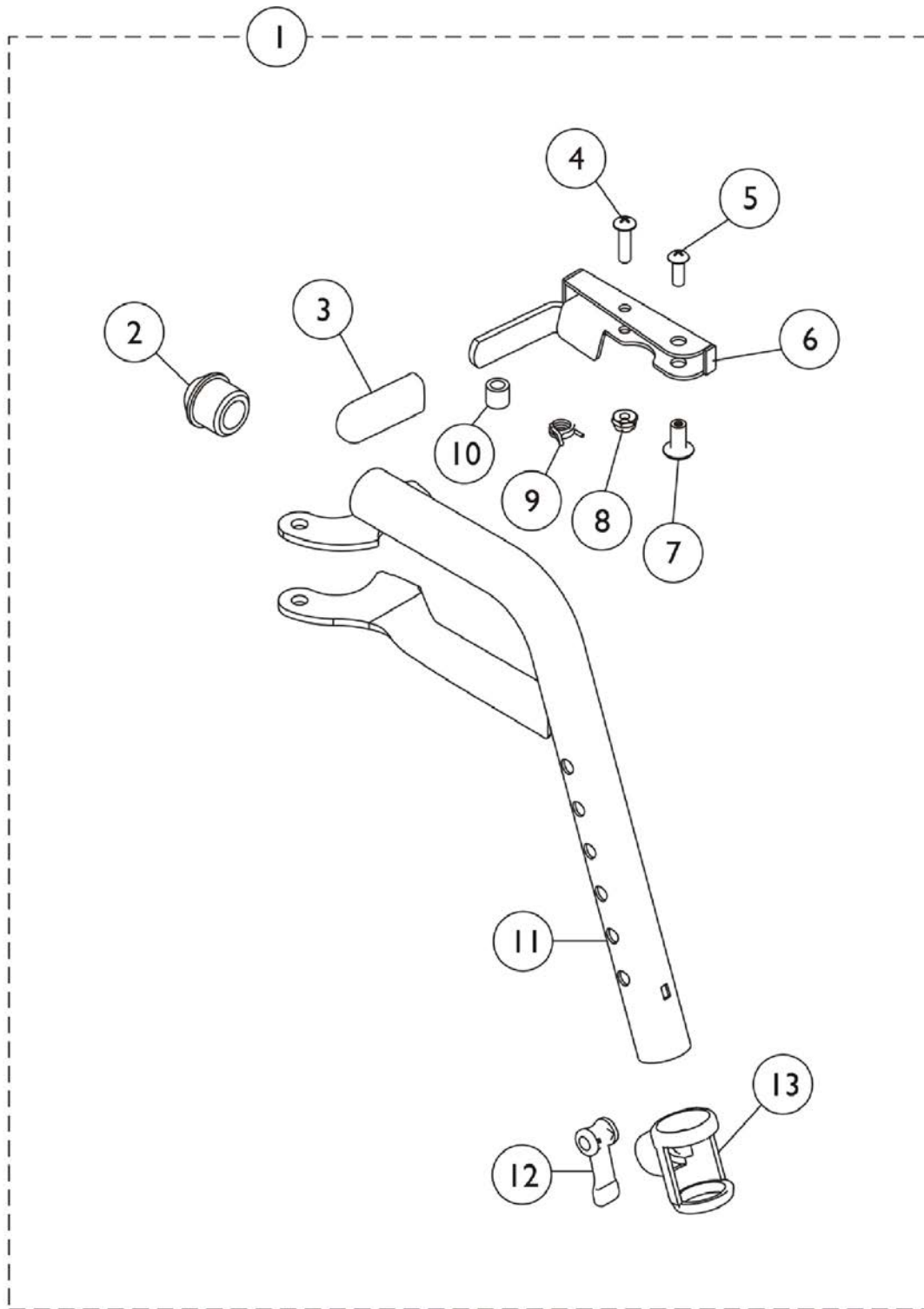
The new front caster used on a 16 and 20" Chair was changed as of March 8, 2011 and for the 18" Chair was changed as of June 21, 2011. "New style caster is available through The Aftermarket Group as TAGRP265093"

NOTE: A - The front caster used on 16" and 20" chairs changed March 8, 2011. The front caster used on the 18" chair changed June 21, 2011. "New style caster is available through The Aftermarket Group as TAGRP265093"
B - No Longer Available. See part #1122726.
C - Prior to 3/8/11, the rear wheel used 1/2" bearings. After 3/7/11, there was a running change in bearing size for the Veranda rear wheel and new wheelchairs could have used 7/16" bearings or 1/2" bearings.
C1 - Part #1122726 will include 7/16" bearings. If you are ordering a wheel replacement, please also order part #40117X022 1/2" bearings (quantity 2 ea. per wheel) so that, if needed, the customer will be able to retrofit the wheel assembly with 1/2" bearings.
D - Not shown.
E - Use for Permanent Arm models. These Wheel Locks are recommended replacements.
F - Use for Removable Arm models. These Wheel Locks are recommended replacements.
G - Chrome Handrim part #1055272 replaced with Clear Anodized Handrim part #1183681.

NOTE: At this time, there are no replacements for the 16 and 20" Back or Seat Upholstery.

Footrest Support Assembly - T93H Series

Invacare Transport Only



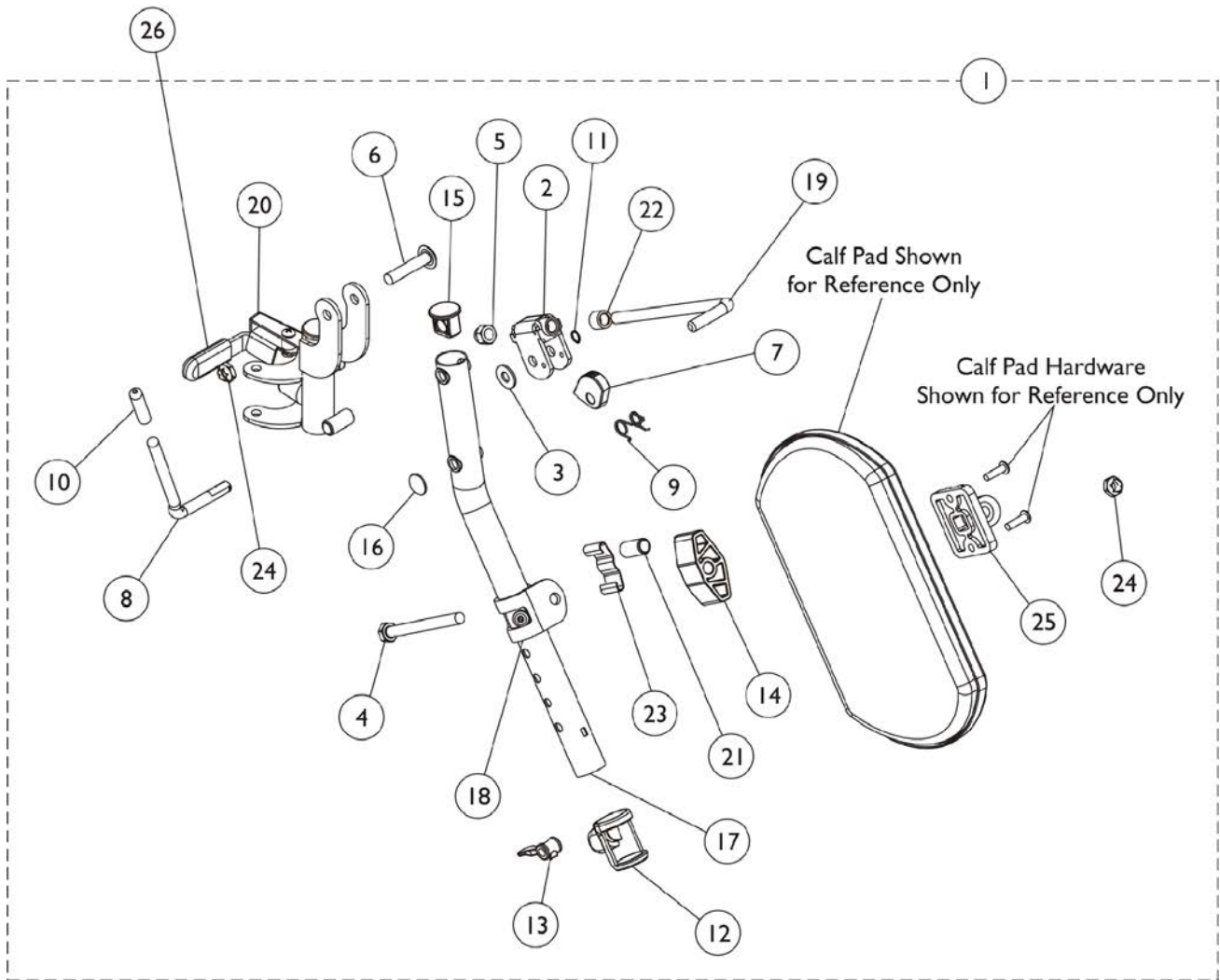
Footrest Support Assembly - T93H Series Invacare Transport Only

Item Number	Note	Part Number	Description	Quantity Per	
				Package	Assembly
1	A	1111274	Footrest Support Assembly, Hemi, Black - Right	1	1
1	A	1111275	Footrest Support Assembly, Hemi, Black - Left	1	1
2		1020719	Anti-Rattle, Black	1	1
3		1006490	Tip, Plastic, Black	1	1
4		40163X008	Screw, Phillips Pan Head (#10-32 x 11/16")	1	1
5		40163X002	Screw, Phillips Round Head (#10-32 x 1/2")	1	1
6	B	1110176-NLA	NLA - Handle, Release, Chrome - Right	1	1
6	B	1110177-NLA	NLA - Handle, Release, Chrome - Left	1	1
6	C	1110178	Handle, Release, Black - Right	1	1
6	C	1110179	Handle, Release, Black - Left	1	1
7		67005X000	Rivnut (#10-32)	1	1
8		60279X003	Locknut (#10-32)	1	1
9		1008935	Spring, Release - Right	1	1
9		1008936	Spring, Release - Left	1	1
10		47565X057	Bushing (7/32 x 3/8 x 11/32")	1	1
11	B	1111270-NLA	NLA - Tube, Footrest Support, Hemi, Chrome - Right	1	1
11	B	1111271-NLA	NLA - Tube, Footrest Support, Hemi, Chrome - Left	1	1
11	C	1111268	Tube, Footrest, Support, Hemi, Black - Right	1	1
11	C	1111269	NLA - Tube, Footrest, Support, Hemi, Black - Left	1	1
12		1048086	Lever, Cam, Black	1	1
13		1048085	Housing, Cam	1	1

NOTE: A - Includes Items 2-13. After 10/14/14 color changed from Chrome to Black. It is recommended to order both the right and left side to match.
 B - Before 10/15/14 color was Chrome
 C - After 10/14/14 color is Black

Legrest Support Assembly - T94H Series

Invacare Transport Only



Legrest Support Assembly - T94H Series Invacare Transport Only

Item Number	Note	Part Number	Description	Quantity Per	
				Package	Assembly
1	A	1110338	Legrest Support Assembly, Hemi, Black - Right	1	1
1	A	1110339	Legrest Support Assembly, Hemi, Black - Left	1	1
2		1110308	Bracket, Release, Black	1	1
3		1013519	Washer, Nylon (5/16 x 11/16 x 1/16")	1	1
4		1014807	Screw, Hex Head (5/16-24 x 3-1/4")	1	1
5		10261X000	Nut, Acorn (5/16-24)	1	1
6		1030948	Screw, Slotted Truss Head (5/16-24 x 1-1/2")	1	1
7		1037125	Cam, Legrest	1	1
8		1037126	Handle, Release	1	1
9		1037485	Spring, Release	1	1
10		1040060	Tip, Plastic, Black	1	1
11		1040831	Ring, Snap	1	1
12		1048085	Housing, Cam	1	1
13		1048086	Lever, Cam, Black	1	1
14		1091220	Spacer, Legrest	1	1
15		1095433	Plug Button, Black (7/8")	1	1
16		1096773	Nut, Push Dome (5/16")	1	1
17	C	1110165-NLA	NLA - Tube, Elevating Support, Chrome - Right	1	1
17		1110166-NLA	NLA - Tube, Elevating Support, Chrome - Left	1	1
17		1110163	Tube, Elevating Support, Black - Right	1	1
17		1110164	NLA - Tube, Elevating Support, Black - Left	1	1
18		1110208-NLA	NLA - Bracket, Calf Pad Mounting, Chrome	1	1
18		1110207	Bracket, Calf Pad Mounting, Black	1	1
19		42326X001	Bar, Ratchet	1	1
20	B	1110334-NLA	NLA - Legrest Support Tube Assembly, Hemi, Black - Right	1	1
20	B	1110335	Legrest Support Tube Assembly, Hemi, Black - Left	1	1
20	B	1110332	NLA - Legrest Support Tube Assembly, Hemi, Black - Right	1	1
20	B	1110333	Legrest Support Tube Assembly, Hemi, Black - Left	1	1
21		47328X003	Bushing, Pivot (5/16 x 7/16 x 7/8")	1	1
22		47330X003	Spacer (5/16 x 1/2 x 3/8")	1	1
23		48823X008	Spring, Leaf	1	1
24		60264X001	Locknut (5/16-24)	1	2
25		04526X019	Plate, Legrest Pad	1	1
26		1006490	Tip, Plastic, Black	1	1
26		1127688	Package, Plastic Tip, Black	10	1

NOTE: A - Includes items 2-25.. After 4/14/14 color changed from Chrome to Black. It is recommended to order both the right and left side to match.
B - Assembly includes: tip, bumper, screws, plug, spring, nuts, handle release, legrest support and bushing.
C - No longer available as a service part individually. Order #1 as a replacement.

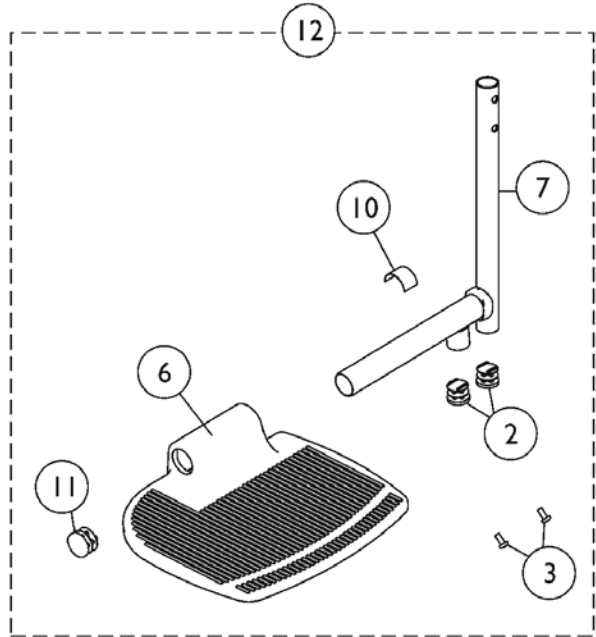
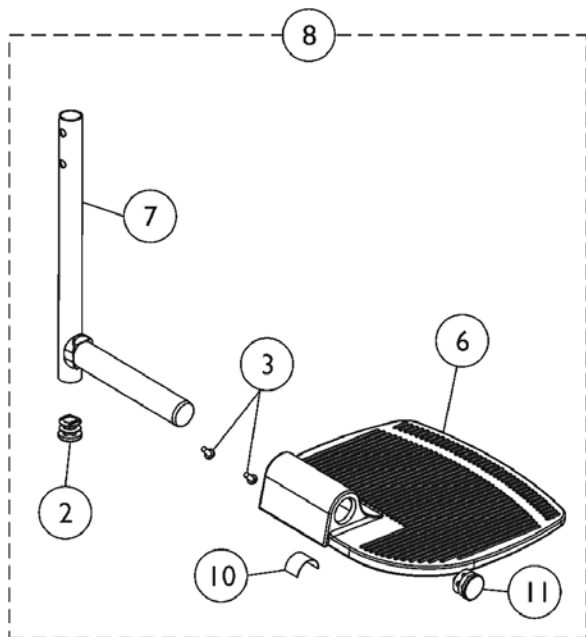
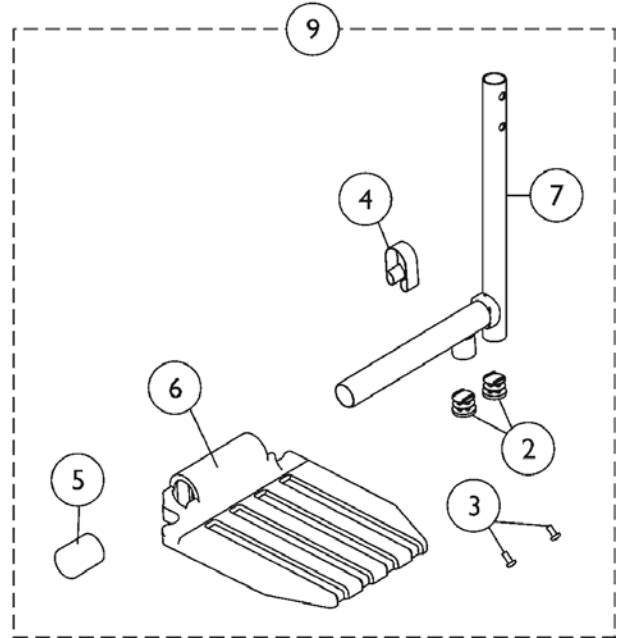
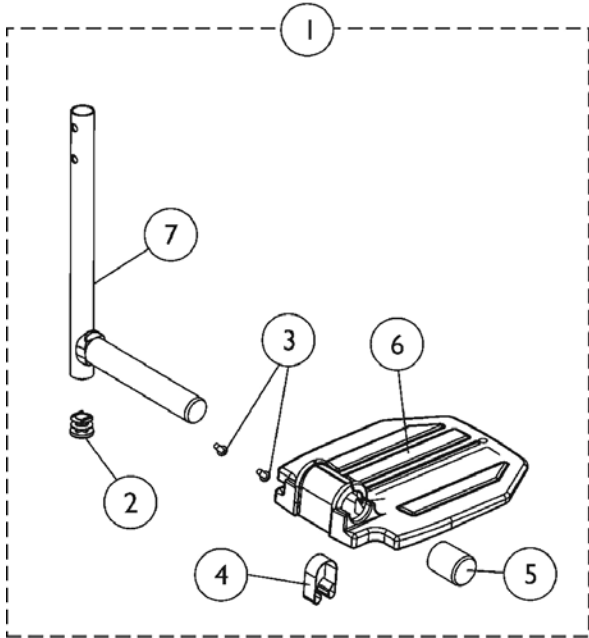
Front Rigging - Calf Pads T94H Legrest

Part Number	Description	Chair Width
8881091819 See Note(s) A	Calf Pad, Vinyl	16-22" Wide
1091800 See Note(s) A	Calf Pad Assembly w/ Screws	16-22" Wide, Black
1066591	Hardware, Calf Pad	N/A
NOTE: A - Due to a change to the Legrest Calf Pad size made on 4/23/12, you must also order the hardware kit (1066591) when ordering replacement Calf Pads.		

Pivot/Slide Tube w/ Footplate

T93H/T94H Series - Invacare Transport Only

NOTE: Pivot/Slide Tube and Footplate is attached to Footrest Support using the spring button or bolt thru hardware. See chart titled, "Pivot Slide Tube Attaching Hardware."



Pivot/Slide Tube w/ Footplate T93H/T94H Series - Invacare Transport Only

NOTE: Pivot/Slide Tube and Footplate is attached to Footrest Support using the spring button or bolt thru hardware. See chart titled, "Pivot Slide Tube Attaching Hardware."

Item Number	Note	Part Number	Description	Quantity Per	
				Package	Assembly
1,8	A,B	See Chart	Item #1 and #8 Pivot Slide Tube with Footplate - T93H Series	1	1
2		1027097	Plug Button, Black (3/4")	1	1
3		40120X001	Screw, Phillips Pan Head (#8-32 x 3/8")	1	1
4		1006981	Spring, Tension	1	1
5		1016346	Cap, End, Tube, Black (7/8")	1	1
6	C	44200X027	Footplate, Aluminum, Medium, Black (7-3/4" W x 6" L)	1	1
6	C	1015178	Footplate, Composite, Black (6" W x 7-53/64" L)	1	1
6	C	44200X025	Footplate, Aluminum, Extra Large, Black - Right (8" W x 8-1/2" L)	1	1
6	C	44200X026	Footplate, Aluminum, Extra Large, Black - Left (8" W x 8-1/2" L)	1	1
7	D	1111278-NLA	NLA - Pivot/Slide Tube w/ Plug Button, Footrest, Chrome	1	1
7	E	1110300-NLA	NLA - Pivot/Slide Tube w/ Plug Button, Legrest, Chrome	1	1
9,12	F,G	See Chart	Item #9 and #12 Pivot Slide Tube with Footplate - T94H Series	1	1
10		1036123	Spring, Leaf	1	1
11		1027095	Plug Button, Black (7/8")	1	1
	H	See Chart	Pivot Slide Tube Attaching Hardware	1	1

NOTE: A - Item #1 includes items 2-7.
 B - Item #8 includes items 2, 3, 6, 7,10 and 11.
 C - Used for 16-22" wide models.
 D - Used for T93H Series models
 E - Used for T94H Series models
 F - Item #9 includes items 2-7
 G - Item #12 includes items 2, 3, 6, 7,10 and 11.
 H - Not Shown

Pivot/Slide Tube w/ Footplate T93H/T94H Series - Invacare Transport Only

NOTE: Pivot/Slide Tube and Footplate is attached to Footrest Support using the spring button or bolt thru hardware. See chart titled, "Pivot Slide Tube Attaching Hardware."

Item #1 and #8 Footrest Pivot Slide Tube with Footplate - T93H Series

Item Number	Model Number	Chair Width	Footplate Style	Frame Side	Standard	2" Longer	4" Longer
1.	T93HA T93HAB - Black	16-22"	Aluminium	Right	1111285 <small>See Note(s) A</small>	N/A	N/A
1.	T93HA T93HAB - Black	16-22"	Aluminium	Left	1111286 <small>See Note(s) A</small>	N/A	N/A
1.	T93HC T93HCB - Black	16-22"	Composite	Right	1194329	N/A	N/A
1.	T93HC T93HCB - Black	16-22"	Composite	Left	1194330	N/A	N/A
8.	T93HA - Black	16-22"	Extra Large Aluminum	Right	1110344	N/A	N/A
8.	T93HA - Black	16-22"	Extra Large Aluminum	Left	1110345	N/A	N/A

NOTE: A - NOTE: Part numbers changed from Chrome Pivot/Slide Tube to Black as of 5/16/19

Pivot/Slide Tube w/ Footplate T93H/T94H Series - Invacare Transport Only

NOTE: Pivot/Slide Tube and Footplate is attached to Footrest Support using the spring button or bolt thru hardware. See chart titled, "Pivot Slide Tube Attaching Hardware."

Item #9 and #12 Legrest Pivot Slide Tube with Footplate - T94H Series

Item Number	Model Number	Chair Width	Footplate Style	Frame Side	Standard	2" Longer	4" Longer
9.	T94HA/T94H AB - Black	16-22"	Aluminum	Right	1110315	N/A	N/A
9.	T94HA/T94H AB - Black	16-22"	Aluminum	Left	1110316	N/A	N/A
9.	T94HC/T94H CB - Chrome	16-22"	Composite	Right	1110311	N/A	N/A
9.	T94HC/T94H CB - Chrome	16-22"	Composite	Left	1110312	N/A	N/A
12.	T94HA - Chrome	16-22"	Extra Large Aluminum	Right	1110348	N/A	N/A
12.	T94HA - Chrome	16-22"	Extra Large Aluminum	Left	1110349	N/A	N/A

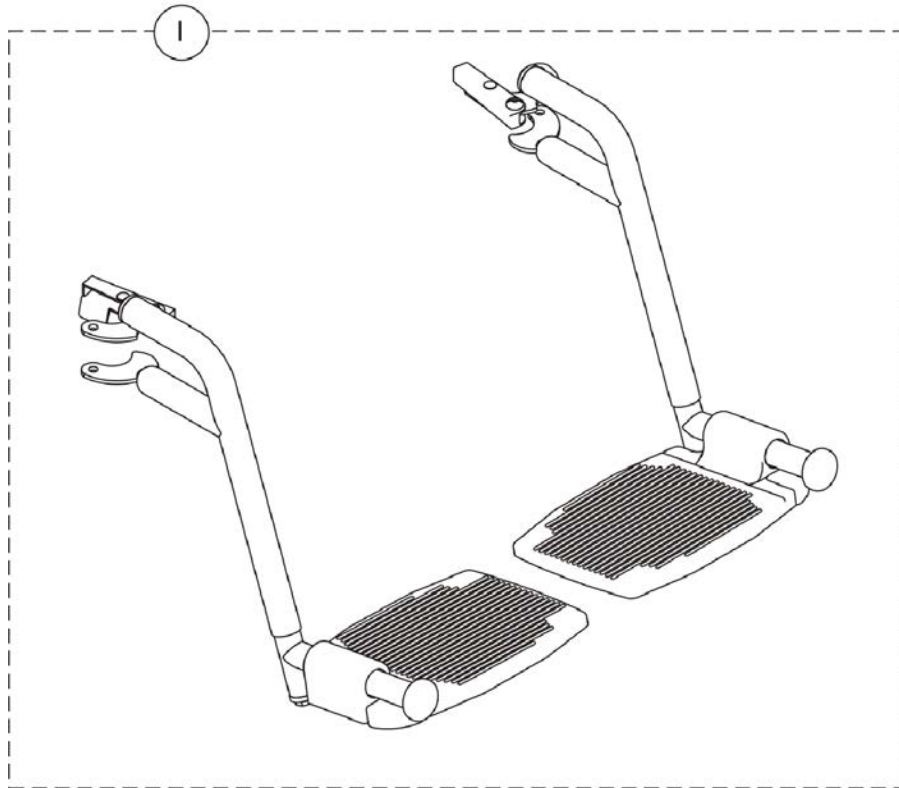
Pivot Slide Tube Attaching Hardware

Style	Part Number	Quantity Per Package	Quantity Per Footrest	Quantity Per Legrest
Spring Button Hardware Kit	1188335 See Note(s) A	2	2	4
Bolt Through Hardware Kit	1101776 See Note(s) A	2	2	2
Tool Kit	1058407 See Note(s) B	1	N/A	N/A

NOTE: A - Kit includes 2 ea. Double Spring Buttons
B - Kit includes allen wrench, key, and open end wrench.

Footrest Assembly

Invacare Lightweight Transport & Invacare Aluminum Transport



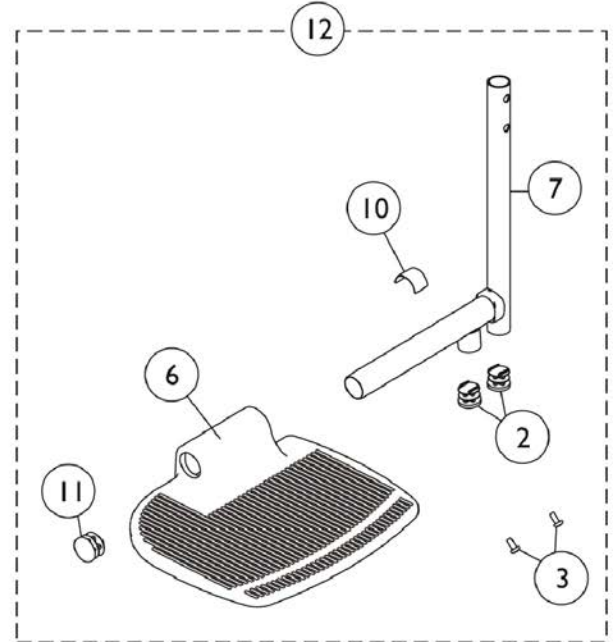
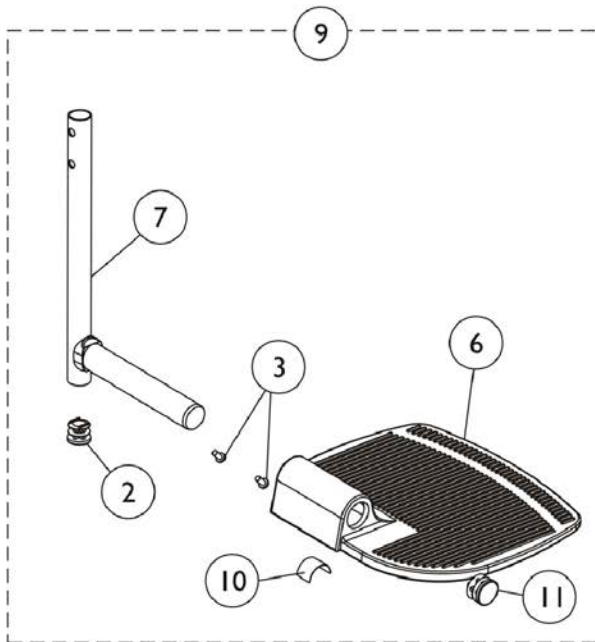
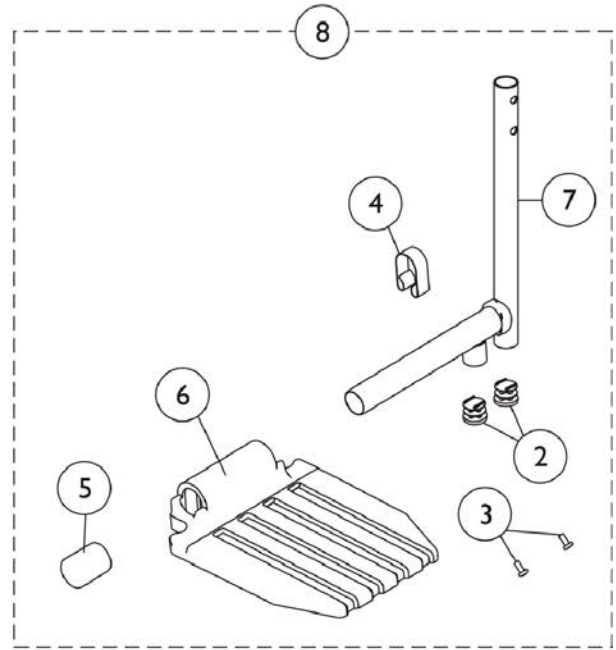
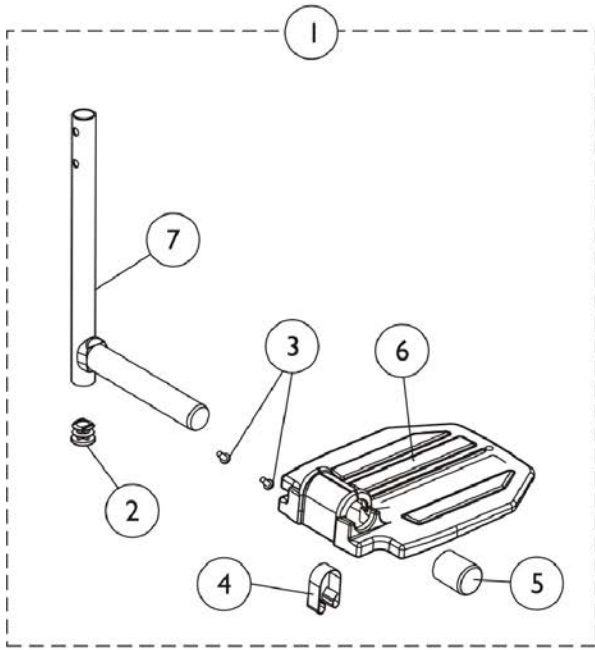
Footrest Assembly

Invacare Lightweight Transport & Invacare Aluminum Transport

Item Number	Note	Part Number	Description	Quantity Per	
				Package	Assembly
1		1122100-NLA	NLA - Footrest Assembly, Blue (Pair)	1	1
1		1122097-NLA	NLA - Footrest Assembly, Red (Pair)	1	1
	A	1122093-NLA	NLA - Footrest, Blue - Right	1	1
	A	1122094-NLA	NLA - Footrest, Blue - Left	1	1
	A	1122095-NLA	NLA - Footrest, Red - Right	1	1
	A	1122096-NLA	NLA - Footrest, Red - Left	1	1

NOTE: A - Not shown.

Front Riggings - Pivot/Slide Tube w/ Footplate



Front Riggings - Pivot/Slide Tube w/ Footplate

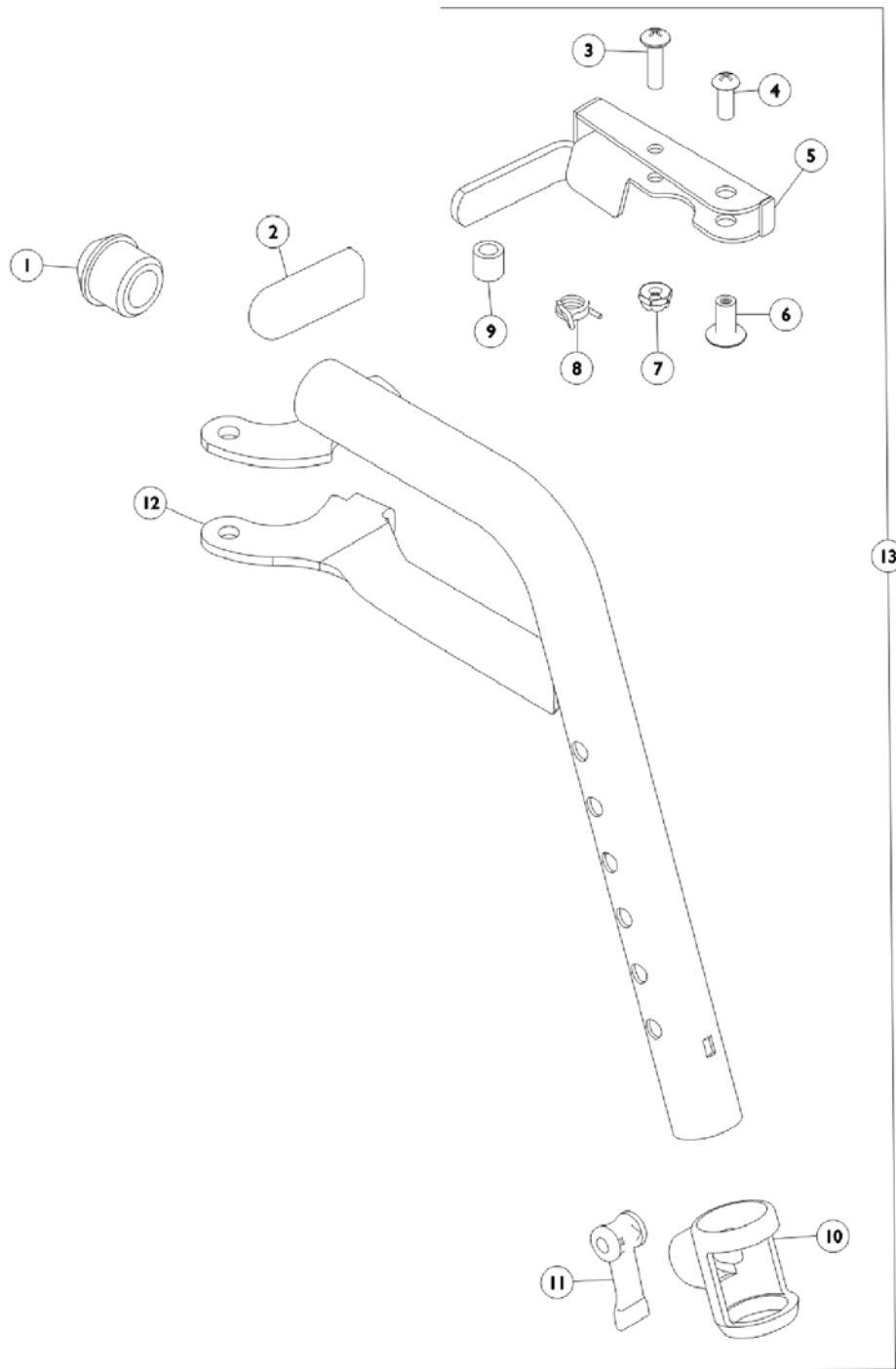
Item Number	Note	Part Number	Description	Quantity Per	
				Package	Assembly
1	A,D	1111285	Pivot/Slide Tube w/ Aluminum Footplate Assembly, Black - Right	1	1
1	A,D	1111286	Pivot/Slide Tube w/ Aluminum Footplate Assembly, Black - Left	1	1
1	A	1194329	Pivot Slide Tube Assembly with Composite Footplate, Black - Right	1	1
			Pivot/Slide Tube w/ Plug Button, Footrest, Black Footplate, Composite, Black (6" W x 7-53/64" L)	1	1
			Cap, End, Tube, Black (7/8")	1	1
			Spring, Tension	1	1
			Screw, Phillips Pan Head (#8-32 x 3/8")	1	2
			Plug Button, Black (3/4")	1	1
1	A	1194330	Pivot Slide Tube Assembly with Composite Footplate, Black - Left	1	1
			Pivot/Slide Tube w/ Plug Button, Footrest, Black Footplate, Composite, Black (6" W x 7-53/64" L)	1	1
			Cap, End, Tube, Black (7/8")	1	1
			Spring, Tension	1	1
			Screw, Phillips Pan Head (#8-32 x 3/8")	1	2
			Plug Button, Black (3/4")	1	1
8	A	1110311	Pivot/Slide Tube w/ Composite Footplate Assembly, Black - Right	1	1
8	A	1110312	Pivot/Slide Tube w/ Composite Footplate Assembly, Black - Left	1	1
8	A	1110315	Pivot/Slide Tube w/ Composite Footplate Assembly, Black - Right	1	1
8	A	1110316	Pivot/Slide Tube w/ Composite Footplate Assembly, Black - Left	1	1
9	B	1110344	Pivot/Slide Tube w/ Extra Large Footplate Assembly, Black - Right	1	1
9	B	1110345	Pivot/Slide Tube w/ Extra Large Footplate Assembly, Black - Left	1	1
9	B	1110361	Pivot/Slide Tube w/ Small Aluminum Footplate Assembly, Black - Right	1	1
9	B	1110362	Pivot/Slide Tube w/ Small Aluminum Footplate Assembly, Black - Left	1	1
12	B	1110348	Pivot/Slide Tube w/ Extra Large Footplate Assembly, Black - Right	1	1
12	B	1110349	Pivot/Slide Tube w/ Extra Large Footplate Assembly, Black - Left	1	1
12	B	1110365	Pivot/Slide Tube w/ Small Aluminum Footplate Assembly, Black - Right (14")	1	1
12	B	1110366-NLA	Pivot/Slide Tube w/ Small Aluminum Footplate Assembly, Black - Left (14")	1	1
10	C	1036123	Spring, Leaf	1	1

Front Riggings - Pivot/Slide Tube w/ Footplate

NOTE: A - Includes items 2-7.
B - Includes items 2, 3, 6, 7, 10 and 11.
C - Use one or more leaf springs per assembly as required such that footplate may be moved by hand to the up-right position and remain in place.
D - NOTE: Part numbers changed from Chrome Pivot/Slide Tube to Black as of 5/16/19

Footrest Support Assembly - T93H Series

Veranda Only



Footrest Support Assembly - T93H Series Veranda Only

Item Number	Note	Part Number	Description	Quantity Per	
				Package	Assembly
1		1020719	Anti-Rattle, Black	1	1
2		1006490	Tip, Plastic, Black	1	1
3	D	40163X008	Screw, Phillips Pan Head (#10-32 x 11/16")	1	1
3	B,C	1025716	Screw, Phillips Pan Head (#10-32 x 11/16")	1	1
4	D	40163X002	Screw, Phillips Round Head (#10-32 x 1/2")	1	1
4	B,C	1026114	Screw, Phillips Pan Head (#10-32 x 1/2")	1	1
5		1110176-NLA	NLA - Handle, Release, Chrome - Right	1	1
5		1110177-NLA	NLA - Handle, Release, Chrome - Left	1	1
5	B,C	1110178	Handle, Release, Black - Right	1	1
5	B,C	1110179	Handle, Release, Black - Left	1	1
6	D	67005X000	Rivnut (#10-32)	1	1
6	B,C	1028846-NLA	NLA - Rivnut (#10-32)	1	1
7	B,C	1025735	Locknut (#10-32)	1	1
8	D	1008935	Spring, Release - Right	1	1
8	D	1008936	Spring, Release - Left	1	1
8	B,C	1028707	Spring, Release - Right	1	1
8	B,C	1028708	Spring, Release - Left	1	1
9		47565X057	Bushing (7/32 x 3/8 x 11/32")	1	1
10		1048085	Housing, Cam	1	1
11		1048086	Lever, Cam, Black	1	1
12		1111268	Tube, Footrest, Support, Hemi, Black - Right	1	1
12	F	1111269-NLA	NLA - Tube, Footrest, Support, Hemi, Black - Left	1	1
12		1111270-NLA	NLA - Tube, Footrest Support, Hemi, Chrome - Right	1	1
12		1111271-NLA	NLA - Tube, Footrest Support, Hemi, Chrome - Left	1	1
13	A	See Chart	Footrest Support Assembly - T93H Series	1	1

NOTE: A - Includes items 1-12
 B - For use on black wheelchairs.
 C - For use on color wheelchairs.
 D - For use on chrome wheelchairs Before 10/15/14 and black wheelchairs After 10/14/14 .
 F - No longer available individually. See Item number 13 for replacement.

Item #12 Footrest Support Tube is not available in Color. Order item #13 Footrest Support Assembly.

Footrest Support Assembly - T93H Series

Current Model Number	Chair Width	Right Side	Left Side
T93H A/C Color	16-22"	8881118241	8881118242
T93H A/C Black	16-22"	1111272	1111273
T93H A/C Black	16-22"	1111274 See Note(s) B	1111275 See Note(s) B

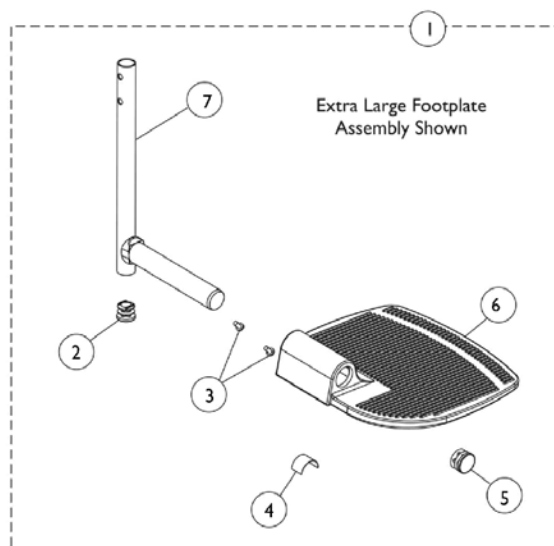
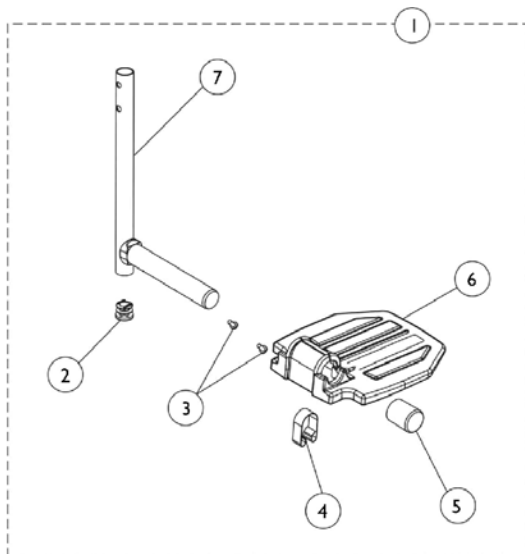
Footrest Support Assembly - T93H Series

Veranda Only

NOTE: B - After 10/14/14 Color changed from Chrome to Black. It is recommended to order both the right and the left side to match.

Pivot/Slide Tube w/ Footplate - T93H Series - Veranda Only

NOTE: Pivot/Slide Tube and Footplate is attached to Footrest Support using the spring button or bolt thru hardware. See chart titled, "Pivot Slide Tube Attaching Hardware."



Pivot/Slide Tube w/ Footplate - T93H Series - Veranda Only

NOTE: Pivot/Slide Tube and Footplate is attached to Footrest Support using the spring button or bolt thru hardware. See chart titled, "Pivot Slide Tube Attaching Hardware."

Item Number	Note	Part Number	Description	Quantity Per	
				Package	Assembly
1	A	See Chart	Item #1 Pivot Slide Tube with Footplate	1	1
2		1111277	Pivot/Slide Tube w/ Plug Button, Footrest, Black	1	1
3		1027097	Plug Button, Black (3/4")	1	1
4		40120X001	Screw, Phillips Pan Head (#8-32 x 3/8")	1	2
5		1006981	Spring, Tension	1	1
5	B,D	1036123	Spring, Leaf	1	1
6		1016346	Cap, End, Tube, Black (7/8")	1	1
6	B	1027095	Plug Button, Black (7/8")	1	1
7		1015178	Footplate, Composite, Black (6" W x 7-53/64" L)	1	1
7		44200X059	Footplate, Aluminum, Small, Black (6-3/4" W x 6" L)	1	1
7		44200X027	Footplate, Aluminum, Medium, Black (7-3/4" W x 6" L)	1	1
7	B	44200X025	Footplate, Aluminum, Extra Large, Black - Right (8" W x 8-1/2" L)	1	1
7	B	44200X026	Footplate, Aluminum, Extra Large, Black - Left (8" W x 8-1/2" L)	1	1
	C	See Chart	Pivot Slide Tube Attaching Hardware	1	1

NOTE: A - Includes items 2-7.
 B - For use on extra large footplate.
 C - Not Shown.
 D - Use one or more leaf springs per assembly as required such that footplate may be moved by hand to the up-right position and remain in place.

Pivot/Slide Tube w/ Footplate - T93H Series - Veranda Only

NOTE: Pivot/Slide Tube and Footplate is attached to Footrest Support using the spring button or bolt thru hardware. See chart titled, "Pivot Slide Tube Attaching Hardware."

Footrest Pivot Slide Tube with Footplate

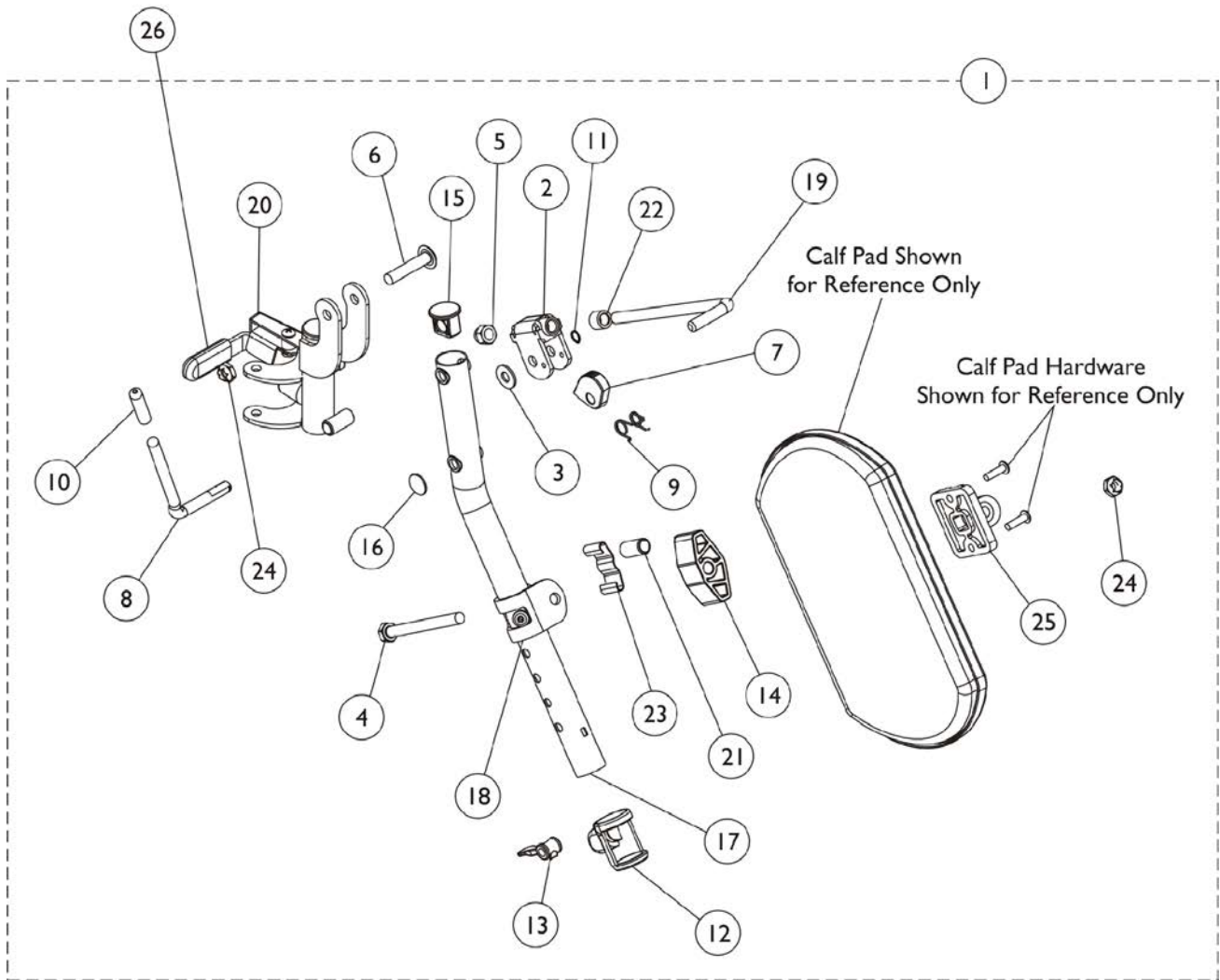
Model Number	Chair Width	Footplate Style	Frame Side	Standard	2" Longer	4" Longer
T93HSA T93HA - Black	14-15"	Aluminium	Right	1110361	N/A	N/A
T93HSA T93HA - Black	14-15"	Aluminium	Left	1110362	N/A	N/A
T93HA T93HAB - Black	16-22"	Aluminium	Right	1111285	N/A	N/A
T93HA T93HAB - Black	16-22"	Aluminium	Left	1111286	N/A	N/A
T93HC T93HCB - Black	16-22"	Composite	Right	1111289	N/A	N/A
T93HC T93HCB - Black	16-22"	Composite	Left	1111290	N/A	N/A
T93HA - Black	16-22"	Extra Large	Right	1110344	N/A	N/A
T93HA - Black	16-22"	Extra Large	Left	1110345	N/A	N/A

Pivot Slide Tube Attaching Hardware

Style	Part Number	Quantity per Package	Quantity Per Footrest	Quantity Per Legrest
Spring Button Hardware Kit	1188335 See Note(s) A	2	2	4
Bolt Through Hardware Kit	1101776 See Note(s) A	2	2	2
Tool Kit	1058407 See Note(s) B	1	N/A	N/A

NOTE: A - Kit includes 2 ea. Double Spring Buttons.
B - Kit includes allen wrench, key, and open end wrench.

Legrest Support Assembly - T94H Series Veranda Only



Legrest Support Assembly - T94H Series Veranda Only

Item Number	Note	Part Number	Description	Quantity Per	
				Package	Assembly
1	A,D	1110338	Legrest Support Assembly, Hemi, Black - Right	1	1
1	A,D	1110339	Legrest Support Assembly, Hemi, Black - Left	1	1
1	A	1110336	Legrest Support Assembly, Hemi, Black - Right	1	1
1	A	1110337	Legrest Support Assembly, Hemi, Black - Left	1	1
2		1110308	Bracket, Release, Black	1	1
3		1013519	Washer, Nylon (5/16 x 11/16 x 1/16")	1	1
4		1014807	Screw, Hex Head (5/16-24 x 3-1/4")	1	1
5		10261X000	Nut, Acorn (5/16-24)	1	1
6		1030948	Screw, Slotted Truss Head (5/16-24 x 1-1/2")	1	1
7		1037125	Cam, Legrest	1	1
8		1037126	Handle, Release	1	1
9		1037485	Spring, Release	1	1
10		1040060	Tip, Plastic, Black	1	1
11		1040831	Ring, Snap	1	1
12		1048085	Housing, Cam	1	1
13		1048086	Lever, Cam, Black	1	1
14		1091220	Spacer, Legrest	1	1
15		1095433	Plug Button, Black (7/8")	1	1
16		1096773	Nut, Push Dome (5/16")	1	1
17	C	1110165-NLA	NLA - Tube, Elevating Support, Chrome - Right	1	1
17		1110166-NLA	NLA - Tube, Elevating Support, Chrome - Left	1	1
17		1110163	Tube, Elevating Support, Black - Right	1	1
17	C	1110164-NLA	NLA - Tube, Elevating Support, Black - Left	1	1
18		1110208-NLA	NLA - Bracket, Calf Pad Mounting, Chrome	1	1
18		1110207	Bracket, Calf Pad Mounting, Black	1	1
19		42326X001	Bar, Ratchet	1	1
20	B	1110334-NLA	NLA - Legrest Support Tube Assembly, Hemi, Black - Right	1	1
20	B	1110335	Legrest Support Tube Assembly, Hemi, Black - Left	1	1
20	B,C	1110332-NLA	NLA - Legrest Support Tube Assembly, Hemi, Black - Right	1	1
20	B	1110333	Legrest Support Tube Assembly, Hemi, Black - Left	1	1
21		47328X003	Bushing, Pivot (5/16 x 7/16 x 7/8")	1	1
22		47330X003	Spacer (5/16 x 1/2 x 3/8")	1	1
23		48823X008	Spring, Leaf	1	1
24		60264X001	Locknut (5/16-24)	1	2
25		04526X019	Plate, Legrest Pad	1	1
26		1006490	Tip, Plastic, Black	1	1
26		1127688	Package, Plastic Tip, Black	10	1

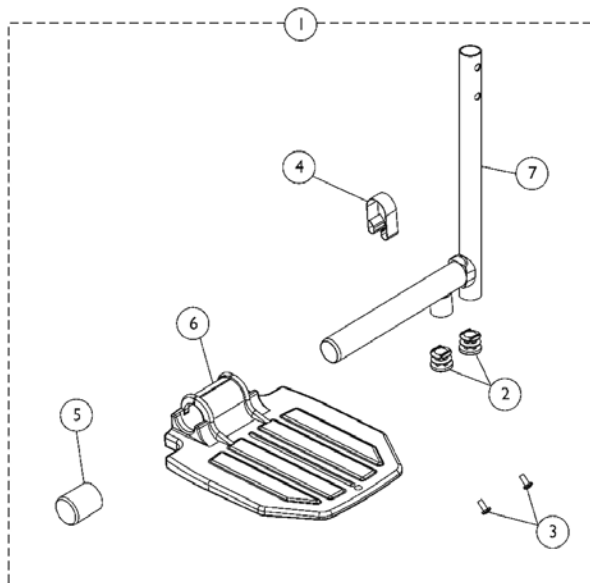
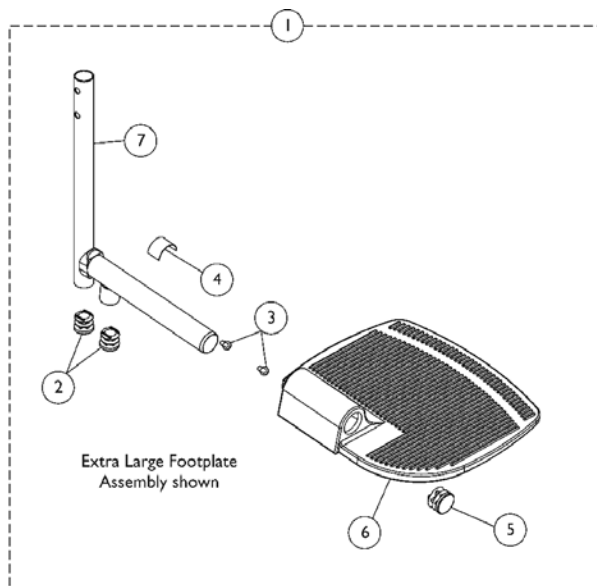
Legrest Support Assembly - T94H Series Veranda Only

NOTE: A - Includes items 2-25.
B - Assembly includes: tip, bumper, screws, plug, spring, nuts, handle release, legrest support and bushing.
C - No longer available as a service part individually. Order item #1 as a replacement.
D - After 10/14/14 color was changed from Chrome to Black. It is recommended to order both the right and left side to match.

NOTE: Chrome selection is no longer offered After 10/14/14. Black finish is available. Color option is not available.

Pivot/Slide Tube w/ Footplate - T94H Series - Veranda Only

NOTE: Pivot/Slide Tube and Footplate is attached to Footrest Support using the spring button or bolt thru hardware. See chart titled, "Pivot Slide Tube Attaching Hardware."



Pivot/Slide Tube w/ Footplate - T94H Series - Veranda Only

NOTE: Pivot/Slide Tube and Footplate is attached to Footrest Support using the spring button or bolt thru hardware. See chart titled, "Pivot Slide Tube Attaching Hardware."

Item Number	Note	Part Number	Description	Quantity Per	
				Package	Assembly
1	A	See Chart	Item #1 Pivot Slide Tube with Footplate	1	1
2		1110301	Pivot/Slide Tube w/ Plug Button, Legrest, Black	1	1
2		1110300-NLA	NLA - Pivot/Slide Tube w/ Plug Button, Legrest, Chrome	1	1
2	B	1111277	Pivot/Slide Tube w/ Plug Button, Footrest, Black	1	1
3		1027097	Plug Button, Black (3/4")	2	2
4		40120X001	Screw, Phillips Pan Head (#8-32 x 3/8")	2	2
5		1016346	Cap, End, Tube, Black (7/8")	1	1
5	B	1027095	Plug Button, Black (7/8")	1	1
6		1015178	Footplate, Composite, Black (6" W x 7-53/64" L)	1	1
6		44200X059	Footplate, Aluminum, Small, Black (6-3/4" W x 6" L)	1	1
6		44200X027	Footplate, Aluminum, Medium, Black (7-3/4" W x 6" L)	1	1
6	B	44200X025	Footplate, Aluminum, Extra Large, Black - Right (8" W x 8-1/2" L)	1	1
6	B	44200X026	Footplate, Aluminum, Extra Large, Black - Left (8" W x 8-1/2" L)	1	1
7		1006981	Spring, Tension	1	1
7	D,B	1036123	Spring, Leaf	1	1
	C	See Chart	Pivot Slide Tube Attaching Hardware	1	1

NOTE: A - Includes items 2-7.
 B - For use on extra large footplate assembly.
 C - Not Shown.
 D - Use one or more leaf springs per assembly as required such that footplate may be moved by hand to the up-right position and remain in place.

Pivot/Slide Tube w/ Footplate - T94H Series - Veranda Only

NOTE: Pivot/Slide Tube and Footplate is attached to Footrest Support using the spring button or bolt thru hardware. See chart titled, "Pivot Slide Tube Attaching Hardware."

Pivot Slide Tube with Footplate

Current Model Number	Chair Width	Frame Side	Standard	2" Longer	4" Longer
T94HA/T94HAB - Black	16-22"	Right	1110315	N/A	N/A
T94HA/T94HAB - Black	16-22"	Left	1110316	N/A	N/A
T94HA/T94HAB - Black	16-22"	Right	1110317-NLA	N/A	N/A
T94HA/T94HAB - Black	16-22"	Left	1110318-NLA	N/A	N/A
T94HAB - Black	18-22"	Right	1110344	N/A	N/A
T94HAB - Black	18-22"	Left	1110345	N/A	N/A
TH94A/T94HAB - Black	16-22"	Right	1110348	N/A	N/A
TH94A/T94HAB - Black	16-22"	Left	1110349	N/A	N/A
T94HS/T94HSB - Black	14-15"	Right	1110365	N/A	N/A
T94HS/T94HSB - Black	14-15"	Left	1110366	N/A	N/A
T94HS/T94HSB - Chrome	14-15"	Right	1110367-NLA	N/A	N/A
T94HS/T94HSB - Chrome	14-15"	Left	1110368-NLA	N/A	N/A
T94HC/T94HCB - Black	16-22"	Right	1110311	N/A	N/A
T94HC/T94HCB - Black	16-22"	Left	1110312	N/A	N/A
T94HC/T94HCB - Chrome	16-22"	Right	1110313-NLA	N/A	N/A
T94HC/T94HCB - Chrome	16-22"	Left	1110314-NLA	N/A	N/A
T94HA - Black	16-22"	Right	1110348	N/A	N/A
T94HA - Black	16-22"	Left	1110349	N/A	N/A
T94HA - Chrome	16-22"	Right	1110350-NLA	N/A	N/A
T94HA - Chrome	16-22"	Left	1110351-NLA	N/A	N/A

Pivot/Slide Tube w/ Footplate - T94H Series - Veranda Only

NOTE: Pivot/Slide Tube and Footplate is attached to Footrest Support using the spring button or bolt thru hardware. See chart titled, "Pivot Slide Tube Attaching Hardware."

Pivot Slide Tube Attaching Hardware

Style	Part Number	Quantity Per Package	Quantity Per Footrest	Quantity Per Legrest
Spring Button Hardware Kit	1188335 See Note(s) A	2	2	4
Bolt Through Hardware Kit	1101776 See Note(s) A	2	2	2
Tool Kit	1058407 See Note(s) B	1	N/A	N/A

NOTE: A - Kit includes 2 ea. Double Spring Buttons.
B - Kit includes allen wrench, key, and open end wrench.

Seat/Chest Positioning Straps

Buckle Style	16-19" Wide Chairs	20-22" Wide Chairs
Auto Style	1004310	1034625

Literature

Item Number	Note	Part Number	Description	Quantity Per	
				Package	Assembly
	A	1125095-NLA	NLA - Manual, Invacare Transport, Lightweight Transport, Bariatric Transport	1	1

NOTE: A - Not shown.

Invacare Corporation

www.invacare.com



Yes, you can.

One Invacare Way
Elyria, Oh USA
44036-2125
800-333-6900

Technical Support
800-832-4707
Florida Technical Support
407-321-5630

Customer Service
800-333-6900

© 2022 Invacare Corporation. All rights reserved. Republication, duplication or modification in whole or in part is prohibited without prior written permission from Invacare. Trademarks are identified by ™ and ®. All trademarks are owned by or licensed to Invacare Corporation or its subsidiaries unless otherwise noted. (Revised 05/18/22)

Form No. 02-013