

Nutron®

R32™

R32™ LX

R50™ LX

R51™

R51™ LX

R51™ LXP

RWD

Power Wheelchairs



Yes, you can.

Parts Catalog Usage Guide

The information contained in this document is subject to change without notice. This catalog contains service parts for Form No. 01-220. If you have any questions regarding this catalog, please contact one of our Customer Service Representatives.

For Customer Service Support Call:

1-800-333-6900

For Faxed In Orders Call:

1-800-678-4682 or

1-440-366-0709

For Technical Service Call:

1-800-832-4707

Literature Can Be Found at:

www.invacare.com or

1-800-828-6272

SYMBOL DEFINITION

Throughout this catalog you will notice letters to draw your attention to specific footnotes which are located at the bottom of the page or below specified charts.

Examples:

A,B,C etc. = Special Comments

NOTE: = General information pertaining to that specific page

NLA = No Longer Available

HARDWARE MEASUREMENTS

The measurements for the hardware will be listed as follows:

Screws, Bolts Diameter X Thread Count/Pitch X Length

Washers Inside Diameter X Outside Diameter X Thickness

Spacers Inside Diameter X Outside Diameter X Length

For your convenience, we have supplied an area for you to list your Invacare Representatives.

Name	Phone Numbers

© 2022 Invacare Corporation. Elyria, Ohio. Invacare, Yes, you can., the Medallion Design, and Nutron are registered trademarks and R32, R50, R51, MKIV, and NX are trademarks of Invacare Corporation.

TABLE of CONTENTS

Description	Page Number
Accessories - Miscellaneous	94
Accessories - Oxygen Holder Assembly	96
Accessories - Power Wheelchair Tool Kit	98
Accessories - Solid Seat Inserts	90
Accessories - Wheel Locks (After 2/14/03)	92
Accessories - Wheel Locks (Before 2/15/03)	91
Arms - Adjustable Height	25
Arms - Fixed Height	23
Battery Boxes & Trays	35
Battery Chargers	38
Canes - Back with Hardware - Adjustable Height and Adjustable Angle Back	13
Canes - Back with Hardware - Fold Down Adj. Height Angle Back	15
Casters & Forks	27
Electronics - MK5 Controllers, Programmer and Hardware (After 2/14/03)	88
Electronics - MK5 SPJ Joystick and Mounting Hardware (After 2/14/03)	73
Electronics - MK5 SPJ+ Joystick and Mounting Hardware (Introduced 8/16/05)	75
Electronics - MKIV Controllers, Harness , Programmer and Hardware (Before 2/15/03)	86
Electronics - MKIV Joystick Switch Options	84
Electronics - MKIV Joysticks and Mounting Hardware (Before 2/15/03)	71
Electronics - MKIV Joysticks, PSF and PSR (Before 2/15/03)	77
Electronics - MKIV Mid-Line Swing Bracket Assembly	79

TABLE of CONTENTS

Description	Page Number
Electronics - Quad Link Assembly (Before 4/07/06)	80
Electronics - Quad Link Assembly (QL) (After 4/06/06)	82
Finishes - Touch-Up Paint & Upholstery Options	5
Frames - Crossbraces & Seat Extensions	11
Frames - Frame Hardware & Anti-Tippers	8
Front Riggings - Adjustable Angle Footplate Assemblies - AT5543	63
Front Riggings - Adjustable Heel Loops	68
Front Riggings - Footrest & Legrest Accessories	65
Front Riggings - Footrest Supports - P93M	50
Front Riggings - Footrest Supports - PW93	44
Front Riggings - Footrest Supports - PW93E	46
Front Riggings - Footrest Supports - PW93ST	48
Front Riggings - Front Rigging Hanger	70
Front Riggings - Legrest - Articulating PAS4A/PAL4A	54
Front Riggings - Legrest Supports - P904A	51
Front Riggings - Pivot & Slide Tube w/ Footplate - P904, PAL4A, and PAS4A	61
Front Riggings - Pivot & Slide Tube w/ Footplate - P93M, PW93, and PW93E	57
Front Riggings - Pivot & Slide Tube w/ Footplate - PW93ST	59
Front Riggings - Reference Chart	40
Motors, (2-Pole) and Gearbox Assembly	29
Motors, (4-Pole) and Gearbox Assembly - Model R51LXP only	31

TABLE of CONTENTS

Description	Page Number
Packaging - Cartons, Bags, Literature & Decals	6
Upholstery - Back	20
Upholstery - Seat	17
Warranty Replacement Parts	100
Wheels, Drive and Mounting Hardware	33

Frame Finishes, Touch-Up Paint & Upholstery Options

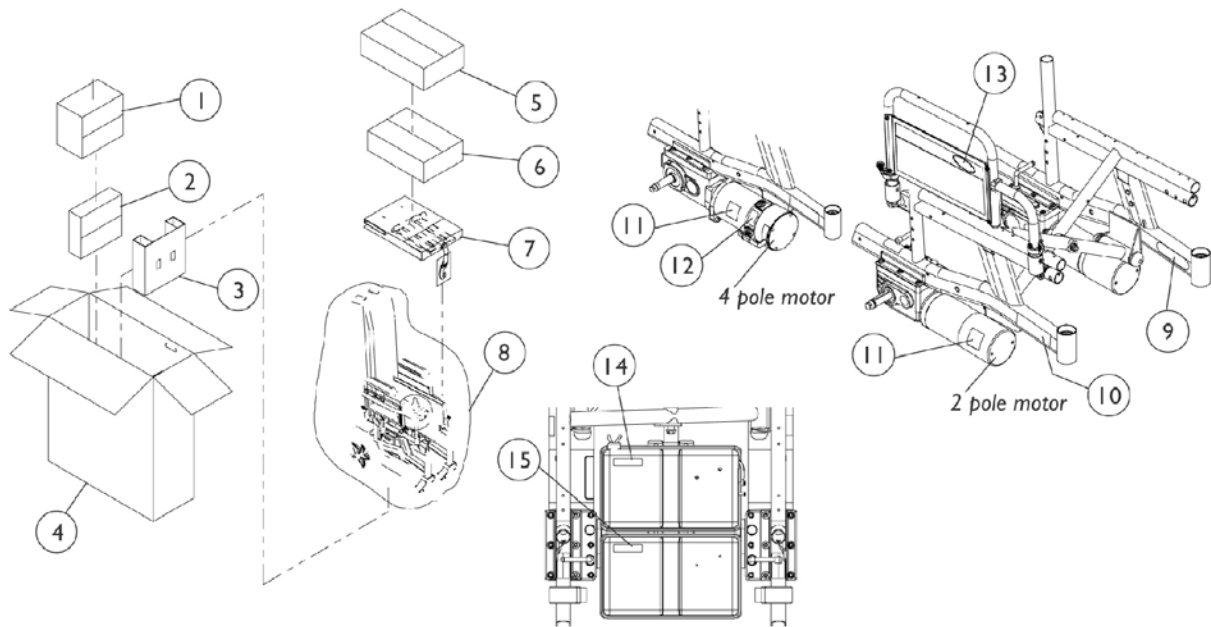
Frame Finishes and Touch-Up Paint

Color Number	Part Number	Bottle Size	Color
24P	1031450-NLA	.6 oz	Wet Black
33P	1031455-NLA	.6 oz	Red
61P	1046321-NLA	.6 oz	Electric Red
62P	1046320-NLA	.6 oz	Electric Blue
71P	N/A	N/A	Silver Vein
101P	1101325-NLA	.6 oz	Jeweled Green

Upholstery Options

Lightweight Vinyl	Nylon
U05 Black	U240 Black

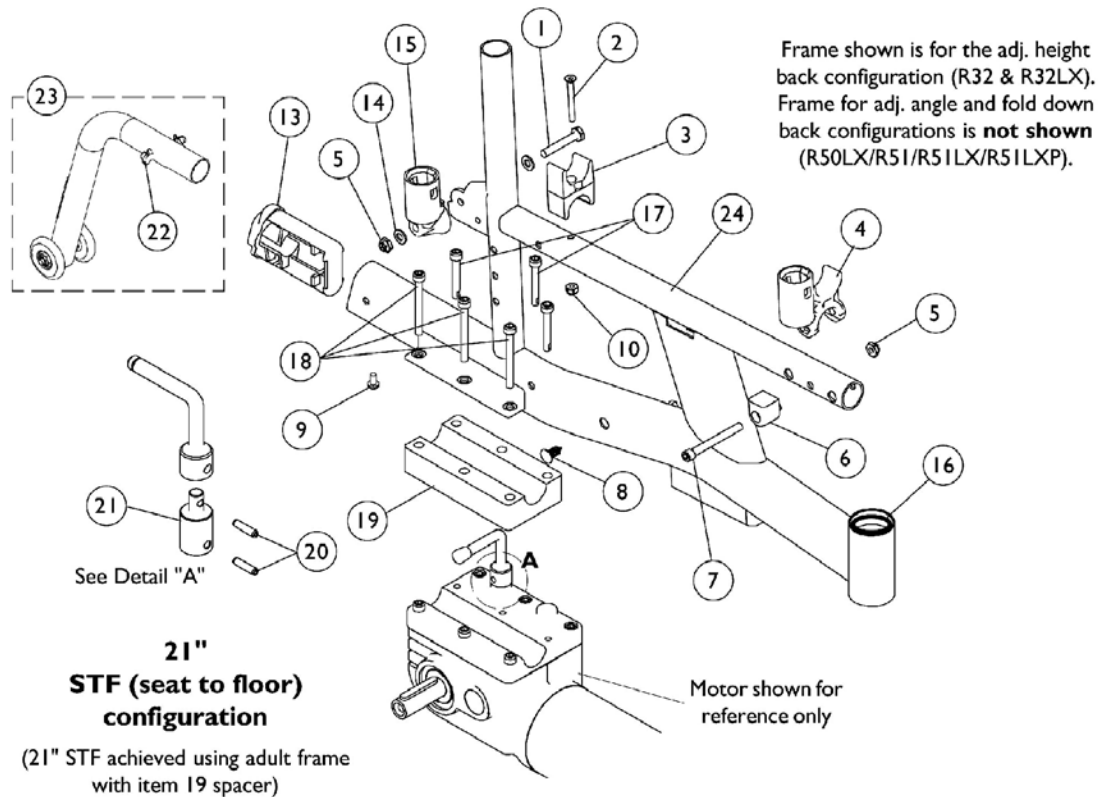
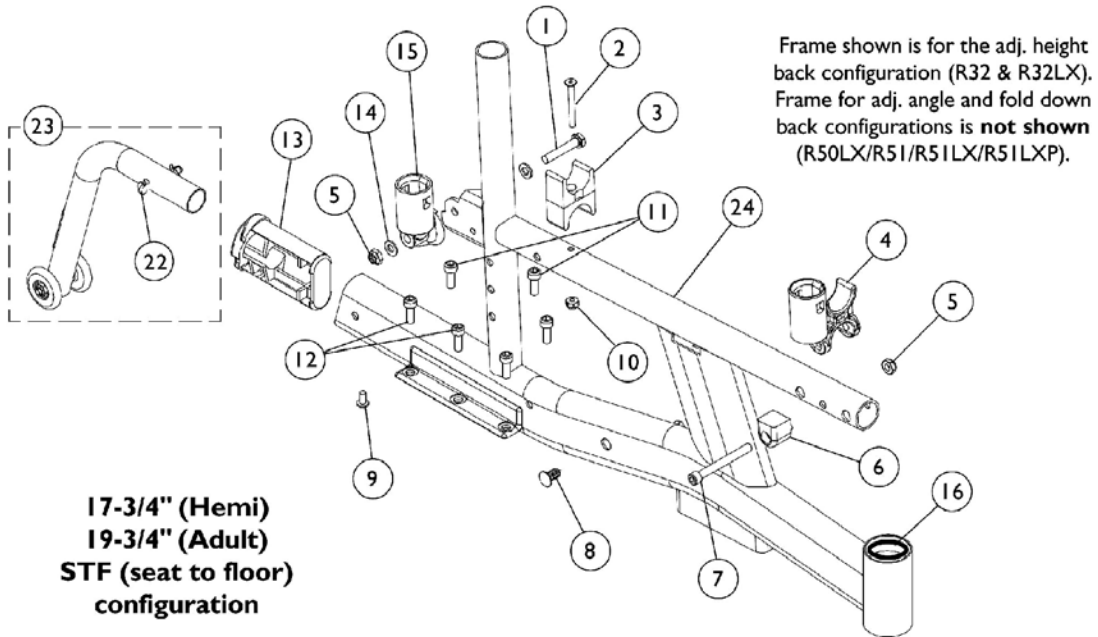
Cartons, Bags, Literature & Decals



Cartons, Bags, Literature & Decals

Item Number	Note	Part Number	Description	Quantity Per	
				Package	Assembly
1		1023167-NLA	NLA - Carton, Battery Boxes	1	1
2		40131X148-NLA	NLA - Carton, Hardware	1	1
3		1108625-NLA	NLA - Insert, Carton	1	1
4		1074355-NLA	NLA - Carton	1	1
5	B	40131X011-NLA	NLA - Carton, Front Riggings	1	1
6		1023607-NLA	NLA - Carton	1	1
7		1023165-NLA	NLA - Insert, Carton	1	1
8		1015592	Bag, Poly (72" L x 35" W x 19" D)	1	1
9		1035900	Decal, Transportation	1	1
10		1107645-NLA	NLA - Decal, Model - R32	1	2
10		1107646-NLA	NLA - Decal, Model - R32LX	1	2
10		1107647-NLA	NLA - Decal, Model - R50LX	1	2
10		1107648-NLA	NLA - Decal, Model - R51	1	2
10		1107649-NLA	NLA - Decal, Model - R51LX	1	2
10		1107650-NLA	NLA - Decal, Model - R51LXP	1	2
11		1107653-NLA	NLA - Decal, 2 Pole Motor (350 Watts)	1	2
11		1107654-NLA	NLA - Decal, 4 Pole Motor (650 Watts)	1	2
12		1104797	Decal, Drive/Push	1	2
13		1095489	Decal, Invacare 3-D Logo (2-1/2" L)	1	2
14		1107651-NLA	NLA - Decal, Front Battery Cover	1	1
15		1107652-NLA	NLA - Decal, Rear Battery Cover	1	1
	A,C	1095272-NLA	NLA - Instruction Manual, MKIV RII	1	1
	A,C	1095273-NLA	NLA - Instruction Manual, MKIV RII LP	1	1
	A,C	1106644-NLA	NLA - Owner's Manual - R32 and R32LX	1	1
	A,C	1106645-NLA	NLA - Owner's Manual - R50LX R51 R51LX and R51LXP	1	1
	A,C	1110532-NLA	NLA - Instruction Manual, MK5 NX/NX-LP	1	1
<p>NOTE: A - Not Shown. B - Required only with Hemi Models. C - Item is no longer available from the Invacare Service Parts Department. Refer to the Invacare Website under "Product Literature Search". Enter the part number in the "Keywords" field and download a free PDF version copy.</p>					
<p>Note: When adjusting or replacing parts, please refer to your Owner's Manual.</p>					

Frames, Frame Hardware & Anti-Tippers



Frames, Frame Hardware & Anti-Tippers

Item Number	Note	Part Number	Description	Quantity Per	
				Package	Assembly
1		1055298	Screw, Hex Head (1/4-28 x 1-5/8")	1	2
2		1085134-NLA	NLA - Screw, Socket Flat Head (#10-32 x 1-5/8")	1	2
3		1007541	Clamp, Seat	1	2
4		1036485	Socket, Arm	1	2
5		1025765	Locknut (1/4-28)	1	2
6		1106315-NLA	NLA - Brace, Arm Socket	1	2
7		1119977	Screw, Socket Head (1/4-20 x 2-1/4")	1	2
8		1058520-NLA	NLA - Fastener, Panel Snap-In	1	2
9		1022597	Screw, Phillips Pan Head Tap (#10-32 x 3/8")	1	2
10		1025731	Locknut (#10-32)	1	2
11		1071505	Screw, Socket w/ Patch (M6 x 1 x 20mm)	1	3
12		1080712-NLA	NLA - Screw, Socket Head (M6 x 1 x 30mm)	1	3
13		1106283	Plug, Anti-tip	1	2
14		1026907	Washer (1/4 x 1/2 x 1/16")	1	4
15		1056406	Cup, Socket Pivot	1	2
	B,D	1106320-NLA	NLA - Hardware, Frame, Side, 17-3/4"-19-3/4" Seat to Floor (Pair)	2	1
16		40117X006	Bearing (5/8")	1	2
17		1124839-NLA	NLA - Screw, Socket Head (M6 x 1 x 40mm)	1	6
18		1124840-NLA	NLA - Screw, Socket Head (M6 x 1 x 55mm)	1	6
19		1124829-NLA	NLA - Spacer, Motor, Black	1	2
20		1124842-NLA	NLA - Pin, Roll (4mm x 16mm)	1	4
21		1124833-NLA	NLA - Extension, Motor Lock	1	2
	A,D	1124828-NLA	NLA - Hardware, Frame, Side, 21" Seat to Floor (Pair)	2	1
22		1025763	Spring, Torsion with Double Button	1	2
23	F	1106298-NLA	NLA - Anti-Tipper, Rear	1	1
23	G	1124838-NLA	NLA - Anti-Tipper, Rear	1	1
24		See Chart	#24 Side Frames	1	1
	E	1025736	Locknut (1/4-20)	1	1
	E	1018739	Washer (1/4 x 5/8 x 3/32")	1	1
	E	1037610	Screw, Hex Head (1/4-20 x 1-5/8")	1	1

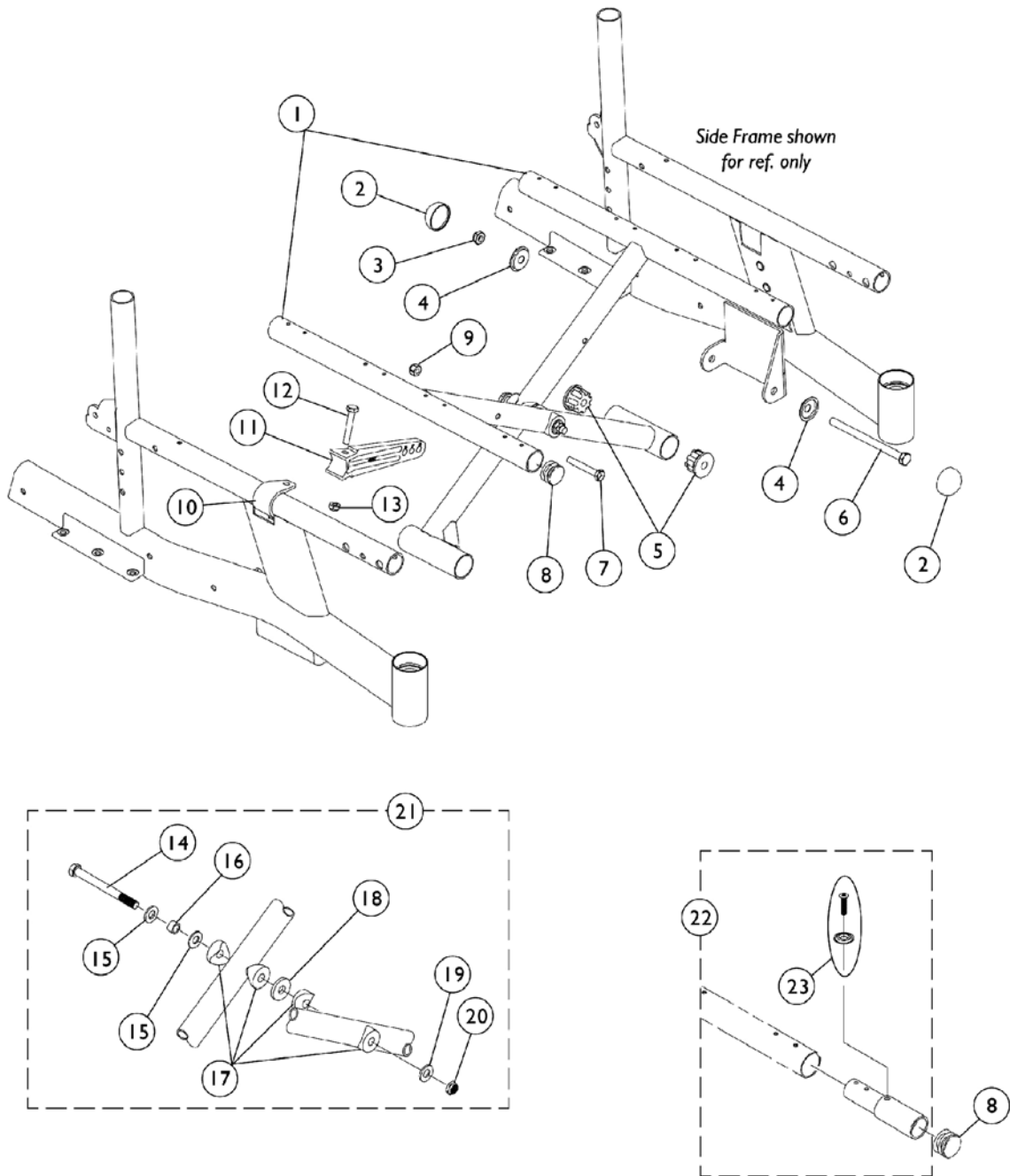
NOTE: A - Includes items 1-10, 13-15, & 17-21
 B - Includes items 1-11, 13-15
 D - Not Shown.
 E - Wheel Lock hardware for replacement side frame built before 2/15/03.
 F - 17-3/4"-19-3/4" Seat to Floor configuration
 G - 21" Seat to Floor configuration

Frames, Frame Hardware & Anti-Tippers

#24 Side Frames

Frame Style	R32	R32LX	R50LX	R5I	R51LX	R51LXP
Adult - Right See Note(s) C	8881107659-NL A See Note(s) C, A	8881107659-NL A See Note(s) A, C	8881107663-NL A See Note(s) A, C	8881107663-NL A See Note(s) C, A	8881107663-NL A See Note(s) C, A	8881107663-NL A See Note(s) C, A
Adult - Left Before 4/7/03	8881107660-NL A See Note(s) A	8881107660-NL A See Note(s) A	8881107664-NL A See Note(s) A	8881107664-NL A See Note(s) A	8881107664-NL A See Note(s) A	8881107664-NL A See Note(s) A
Adult - Left After 4/6/03	8881119134-NL A See Note(s) A, B	8881119134-NL A See Note(s) B, A	8881119136-NL A See Note(s) B, A	8881119136-NL A See Note(s) B, A	8881119136-NL A See Note(s) B, A	8881119136-NL A See Note(s) B, A
Hemi - Right See Note(s) C	8881107657-NL A See Note(s) C, A	8881107657-NL A See Note(s) C, A	8881107661-NL A See Note(s) C, A	8881107661-NL A See Note(s) C, A	8881107661-NL A See Note(s) C, A	8881107661-NL A See Note(s) C, A
Hemi - Left Before 4/7/03	8881107658-NL A See Note(s) A	8881107658-NL A See Note(s) A	8881107662-NL A See Note(s) A	8881107662-NL A See Note(s) A	8881107662-NL A See Note(s) A	8881107662-NL A See Note(s) A
Hemi - Left After 4/6/03	8881119133-NL A See Note(s) B, A	8881119133-NL A See Note(s) A, B	8881119135-NL A See Note(s) B, A	8881119135-NL A See Note(s) B, A	8881119135-NL A See Note(s) B, A	8881119135-NL A See Note(s) B, A
NOTE:	A - Specify frame finish when ordering, see page titled "Frame Finishes". B - Threaded inserts removed from left side frame that mounted the MKIV controller. MK5 controller mounts differently and the threaded inserts are no longer used C - Right Side Frames were Not affected by the MK5 change. Right Frame part nos. shown are applicable regardless of when chair was built.					

Crossbraces & Seat Extensions



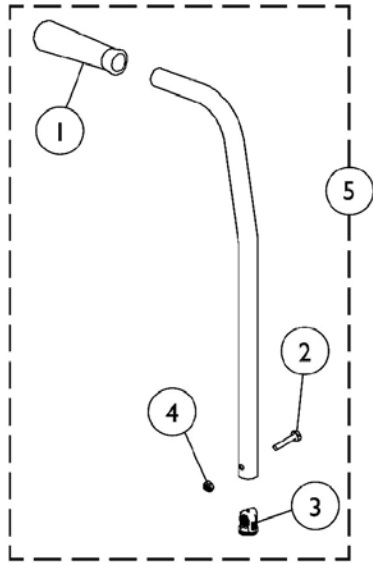
Crossbraces & Seat Extensions

Item Number	Note	Part Number	Description	Quantity Per	
				Package	Assembly
1	D,D1	1064409-NLA	NLA - Crossbrace Assembly, Black (14" W)	1	2
1	D,D1	1064410-NLA	NLA - Crossbrace Assembly, Black (16" W)	1	2
1	D,D1	1064411-NLA	NLA - Crossbrace Assembly, Black (18" W)	1	2
1	D,D1	1064412-NLA	NLA - Crossbrace Assembly, Black (20" W)	1	2
2		1028835-NLA	NLA - Cap, Hub, Black	1	4
3		60264X001	Locknut (5/16-24)	1	2
4		1028491-NLA	NLA - Washer, Caplugs (11/32" I.D. x 1" O.D.)	1	4
5		1056708-NLA	NLA - Plug, Pivot Tube	1	4
	A	1057830-NLA	NLA - Hardware, Crossbrace Pivot Tube	1	1
6		1038179-NLA	NLA - Screw, Hex Head (5/16-24 x 4-1/4")	1	2
7		1055348	Screw, Hex Head (1/4-28 x 1-3/4")	1	2
8		1029501	Plug Button, Black (1")	1	4
9		1065362	Locknut (1/4-28)	1	4
10		1057828-NLA	NLA - Strap, Pivot Link	1	2
11		1057384-NLA	NLA - Link, Pivot, Adult, Black (14 - 15" W)	1	2
11		1057385-NLA	NLA - Link, Pivot, Adult, Black (16 - 18" W)	1	2
11		1057386-NLA	NLA - Link, Pivot, Adult, Black (19 - 20" W)	1	2
12		1030949	Screw, Hex Head (1/4-20 x 1-1/2")	1	2
13		1025736	Locknut (1/4-20)	1	2
14		1098625	Screw, Hex Head (5/16-24 x 3-1/2")	1	1
15		16308X000	Washer, Flat (5/16 x 11/16 x 1/16")	1	2
16		1037913-NLA	NLA - Bushing (5/16 x 7/16 x 9/32")	1	1
17		1016263	Spacer, Coved (3/4 x 1 x 1/2")	1	4
18		1016301	Washer, Nylon (5/16 x 7/8 x 1/8")	1	1
19		1025704	Washer, Flat (5/16 x 5/8 x 1/16")	1	1
20		1025730	Locknut (5/16-24)	1	1
21	B	1057832-NLA	NLA - Hardware, Crossbrace	1	1
22		1058616-NLA	NLA - Kit, Seat Extension - 1" (Pair)	2	1
22	C	1058617	Kit, Seat Extension - 2" (Pair)	2	1
23	E	1076284	Screw w/ Washer (#10 x 7/8")	1	2
23	E	1026298	Package, Screw with Washer (#10 x 7/8") (Pair)	2	1
23	F	1131378	Kit, Hardware	1	1
			Screw, Phillips Oval Head (#12-14 x 7/8")	1	12
			Washer (1/4 x 3/4 x 3/32")	1	12

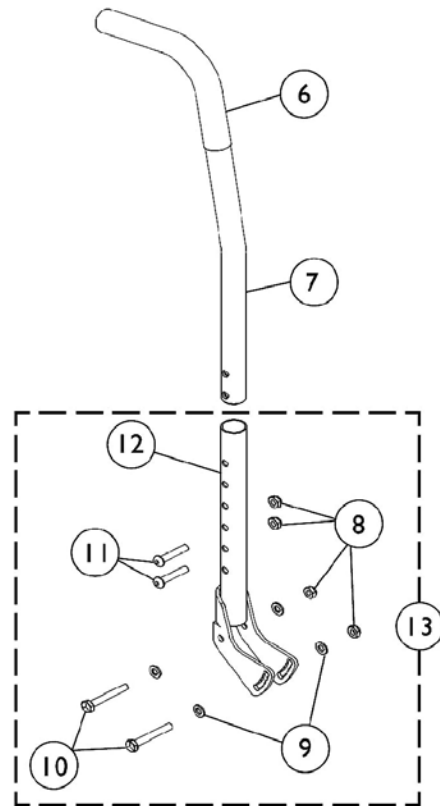
NOTE: A - Not Shown in illustration. Includes items 2 - 6.
 B - Includes items 14 - 20.
 C - Used After 2/2/16. Includes the Extension Tubes, 2 ea. quantity of part #1054687 Screws and 1025707 Washers.
 D - After 2/2/16 Crossbrace and Seat Upholstery Holes were revised to a larger size. One hole was added per side and attaching hardware Screw changed from (#10 x 7/8" Screw w/ Washer) to (#12 x 7/8" Screw).
 D1 - Wheelchairs manufactured Before 2/3/16 will require new Crossbraces, Seat Upholstery and (Hardware After 2/2/16) to be ordered.
 E - Used Before 2/3/16. 2" Extension Tube Kit with a #10 x 7/8" Screw hole is No Longer Available.
 F - Used After 2/2/16. Hardware not sold separately.

Back Canes and Hardware

Adjustable Height and Adjustable Angle



Adjustable Height Back Cane
R32 and R32LX



Adjustable Angle Back
standard on models
R50LX/R51/R51LX/R51LXP

Back Canes and Hardware

Adjustable Height and Adjustable Angle

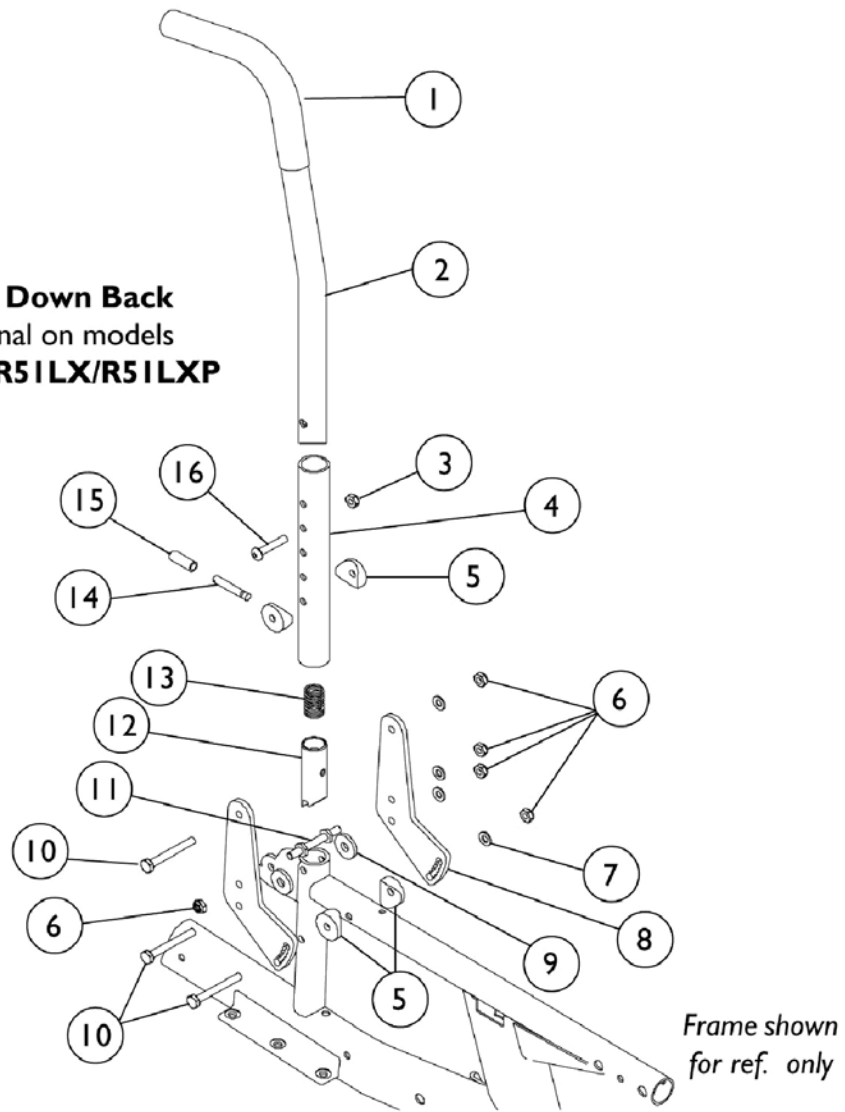
Item Number	Note	Part Number	Description	Quantity Per	
				Package	Assembly
1		1057248	Grip, Hand, Foam (4-3/4")	1	1
2		1070759	Screw, Hex Head (1/4-20 x 1-1/2")	1	1
3		1056551	Insert	1	1
4		7930307-NLA	NLA - Locknut (1/4-20")	25	3
5	A	1107655-NLA	NLA - Back Cane Assembly	1	1
6		1006229	Grip, Foam (8")	1	1
7		1028372	Back Cane Assembly, 10 Degree Bend	1	1
8		7930323-NLA	NLA - Package, Locknut (1/4-20)	25	4
9		1026907	Washer (1/4 x 1/2 x 1/16")	1	4
10		1024793-NLA	NLA - Screw, Hex Head (1/4-20 x 1-3/4")	1	2
11		1008432	Screw, Socket Button Head (1/4-20 x 1-1/4")	1	2
12		1108621-NLA	NLA - Bracket with Adjustable Back Tube, Black	1	1
13	B	1107668-NLA	NLA - Adjustable Angle Back Hardware (1 pair)	2	1

NOTE: A - 16-18" Back Height
B - Includes Items 8-12.

Back Canes and Hardware

Fold Down Adjustable Height Angle Back

Fold Down Back
optional on models
R50LX/R51LX/R51LXP



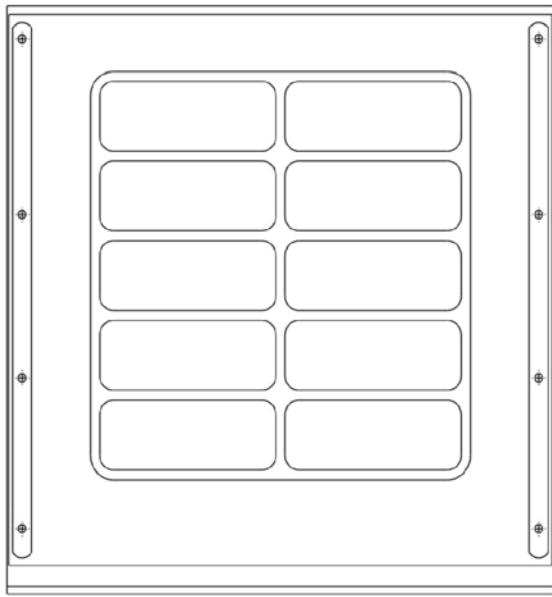
Back Canes and Hardware

Fold Down Adjustable Height Angle Back

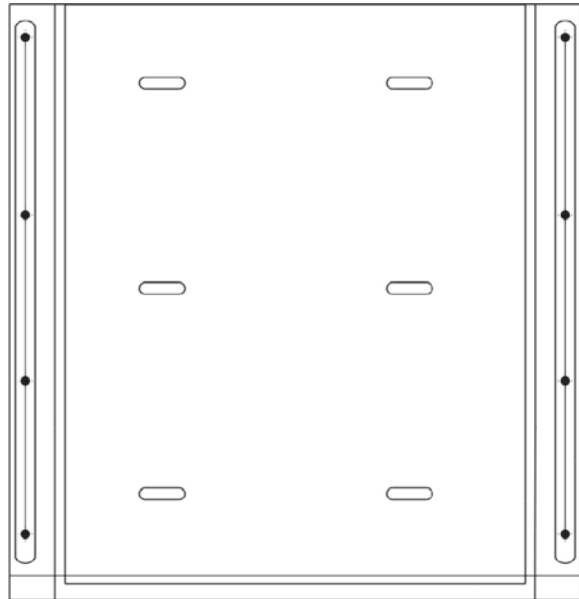
Item Number	Note	Part Number	Description	Quantity Per	
				Package	Assembly
1		1006229	Grip, Foam (8")	1	1
2		1027848	Back Cane w/ Hardware, 10 Degree Bend - Right/Left (14-18" H)	1	1
3		7930323-NLA	NLA - Package, Locknut (1/4-20)	25	1
4		1058832-NLA	NLA - Tube, Backrest, Black	1	1
5		40157X020	Spacer, Coved (1/4 x 1 x 9/16")	1	4
6		7930334-NLA	NLA - Locknut (1/4-28)	25	5
7		1026907	Washer (1/4 x 1/2 x 1/16")	1	4
8		1108626-NLA	NLA - Bracket, Pivot, Black	1	2
9		7930313	Package, Washer, Nylon (5/16 x 7/8 x 1/8")	25	2
10		1055349	Screw, Hex Head (1/4-28 x 2")	1	3
11		1059127	Pin, Locking	1	1
12		1058232	Plug, Latch	1	1
13		1011511	Spring, Compression (5/8 x 1 x 3/64")	1	1
14		1058545	Lever, Actuator	1	1
15		1059271	Tip, Plastic, Black	1	1
16		1008432	Screw, Socket Button Head (1/4-20 x 1-1/4")	1	1
	A,B	1107667-NLA	NLA - Fold Down Back Hardware	2	1

NOTE: A - Includes Items 3-16
B - Not Shown

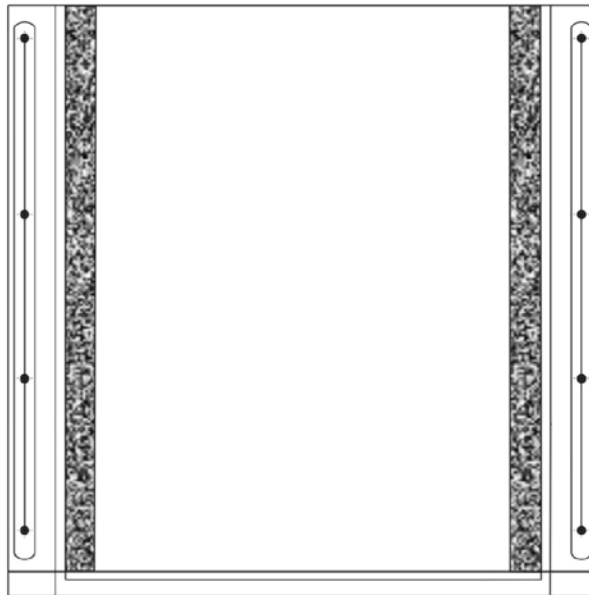
Seat Upholstery



R32 AND R51 (Before 11/15/02)
Seat Upholstery - Vinyl



R32 and R51 (After 11/14/02)
Seat Upholstery - Nylon



R32LX/R50LX/R51LX/R51LXP
Seat Upholstery - Nylon

Seat Upholstery

Lightweight Vinyl Seat Upholstery

R32 and R51 (Before 11/15/02)

Chair Width	16" Depth	17" Depth	18" Depth
14"	8881018200-NLA	8881052296	8881052301-NLA
16"	8881016920-NLA	8881020690-NLA	8881023360-NLA
18"	8881016918-NLA	8881020691-NLA	8881023359-NLA
20"	8881019577-NLA	8881052300-NLA	8881052307-NLA

Note: When ordering, please specify U05 Black for Lightweight/Vinyl or U240 Black for Nylon Upholstery.

Nylon Seat Upholstery

R32 and R51 (After 11/14/02)

Chair Width	16" Depth	17" Depth	18" Depth
14"	8881057199-NLA	8881057206-NLA	8881057213-NLA
16"	1016321 See Note(s) A1, A	1016322-NLA See Note(s) A1, A	1016323-NLA See Note(s) A, A1
18"	1016327 See Note(s) A1, A	1016328 See Note(s) A1, A	1016329 See Note(s) A1, A
20"	1017643 See Note(s) A, A1	1017646-NLA See Note(s) A, A1	1017649 See Note(s) A, A1

NOTE: A - After 2/2/16 Crossbrace and Seat Upholstery Holes were revised to a larger size. One hole was added per side and attaching hardware Screw changed from (#10 x 7/8" Screw w/ Washer) to (#12 x 7/8" Screw).
 A1 - Wheelchairs manufactured Before 2/3/16 will require new Crossbraces, Seat Upholstery and (Hardware After 2/2/16) to be ordered.

Note: When ordering, please specify U05 Black for Lightweight/Vinyl and U240 Black for Nylon Upholstery.

Seat Upholstery

Nylon Seat Upholstery

R32LX/R50LX/R51LX/R51LXP

Chair Width	16" Depth	17" Depth	18" Depth
14"	1016315 See Note(s) A1, A	1016316-NLA See Note(s) A1, A	1016317-NLA See Note(s) A1, A
16"	1016321 See Note(s) A1, A	1016322-NLA See Note(s) A1, A	1016323-NLA See Note(s) A1, A
18"	1016327 See Note(s) A1, A	1016328 See Note(s) A1, A	1016329 See Note(s) A1, A
20"	1017643 See Note(s) A1, A	1017646-NLA See Note(s) A1, A	1017649 See Note(s) A1, A

NOTE: A - After 2/2/16 Crossbrace and Seat Upholstery Holes were revised to a larger size. One hole was added per side and attaching hardware Screw changed from (#10 x 7/8" Screw w/ Washer) to (#12 x 7/8" Screw).
A1 - Wheelchairs manufactured Before 2/3/16 will require new Crossbraces, Seat Upholstery and (Hardware After 2/2/16) to be ordered.

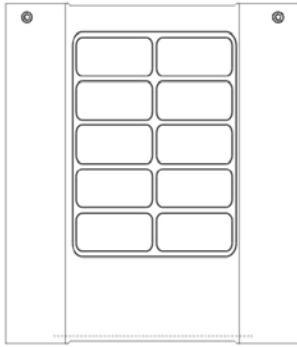
Note: When a different material or color is needed, please see special SM-060831091250.

Hardware for Seat Upholstery

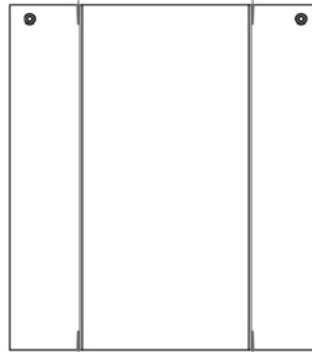
Part Number	Description	16" Depth Quantity Required	17"-18" Depth Quantity Required
1076284 See Note(s) A	Single Pack Screw with Washer (#10 x 7/8") Used Before 2/3/16	8	10
1057950 See Note(s) A	Multi Pack Screws with Washers (#10 x 7/8") Used Before 2/3/16	1 Pkg of 8	N/A
1050393-NLA See Note(s) A	Multi Pack Screws with Washers (#10 x 7/8") Used Before 2/3/16	N/A	1 Pkg of 10
1054978 See Note(s) C1, C, B	Multi Pack Screws and Washers (#12 x 7/8") Used After 2/2/16	1 Pkg of 10	N/A
1131378 See Note(s) C1, C, B	Multi Pack Screws and Washers (#12 x 7/8") Used After 2/2/16	N/A	1 Pkg of 12

NOTE: A - Used Before 2/3/16.
B - Used After 2/2/16.
C - After 2/2/16 Crossbrace and Seat Upholstery Holes were revised to a larger size. One hole was added per side and attaching hardware Screw changed from (#10 x 7/8" Screw w/ Washer) to (#12 x 7/8" Screw).
C1 - Wheelchairs manufactured Before 2/3/16 will require new Crossbraces, Seat Upholstery and (Hardware After 2/2/16) to be ordered.

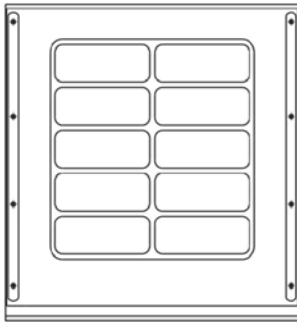
Back Upholstery



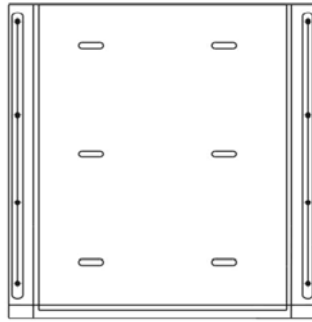
R51 (Before 11/15/02)
Back Upholstery
Wrap Around - Vinyl



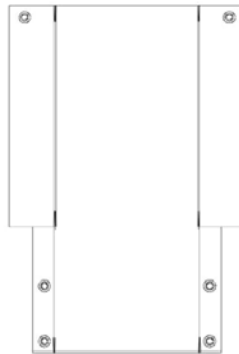
R51 (After 11/14/02)
Back Upholstery
Wrap Around - Nylon



R32 (Before 11/15/02)
Back Upholstery
Screw On - Vinyl



R32 (After 11/14/02)
Back Upholstery
Screw On - Nylon



R32LX/R50LX/R51LX/R51LXP
Back Upholstery
Wrap Around - Nylon

Back Upholstery

Lightweight Vinyl Back Upholstery (Wrap Around)

R51 (Before 11/15/02)

Back Height	14" Chair Width	16" Chair Width	18" Chair Width	20" Chair Width
16"-19"	8881018199-NLA	8881017217-NLA	8881017216-NLA	8881019574-NLA

When ordering, please specify U05 Black for Lightweight Vinyl and U240 Black for Nylon Upholstery.

Back Upholstery, Black Nylon (Wrap Around)

R51 (After 11/14/02)

Back Height	14" Chair Width	16" Chair Width	18" Chair Width	20" Chair Width
16"-20"	1031770-NLA	1031772	1031774	1052144-NLA

Lightweight Vinyl Back Upholstery (Screw-On)

R32 (Before 11/15/02)

Back Height	14" Chair Width	16" Chair Width	18" Chair Width	20" Chair Width
16"-19"	8881018222-NLA	8881017856-NLA	8881016582	8881107693-NLA

When ordering, please specify U05 Black for Lightweight vinyl and U240 Black for Nylon Upholstery.

Nylon Back Upholstery (Screw-On)

R32 (After 11/14/02)

Back Height	14" Chair Width	16" Chair Width	18" Chair Width	20" Chair Width
16"-19"	1116773-NLA	8881057252-NLA	8881057257-NLA	1116774-NLA

When ordering, please specify U05 Black for Lightweight vinyl and U240 Black for Nylon Upholstery.

Back Upholstery, Black Nylon (Wrap Around)

R32LX/R50LX/R51LX/R51LXP

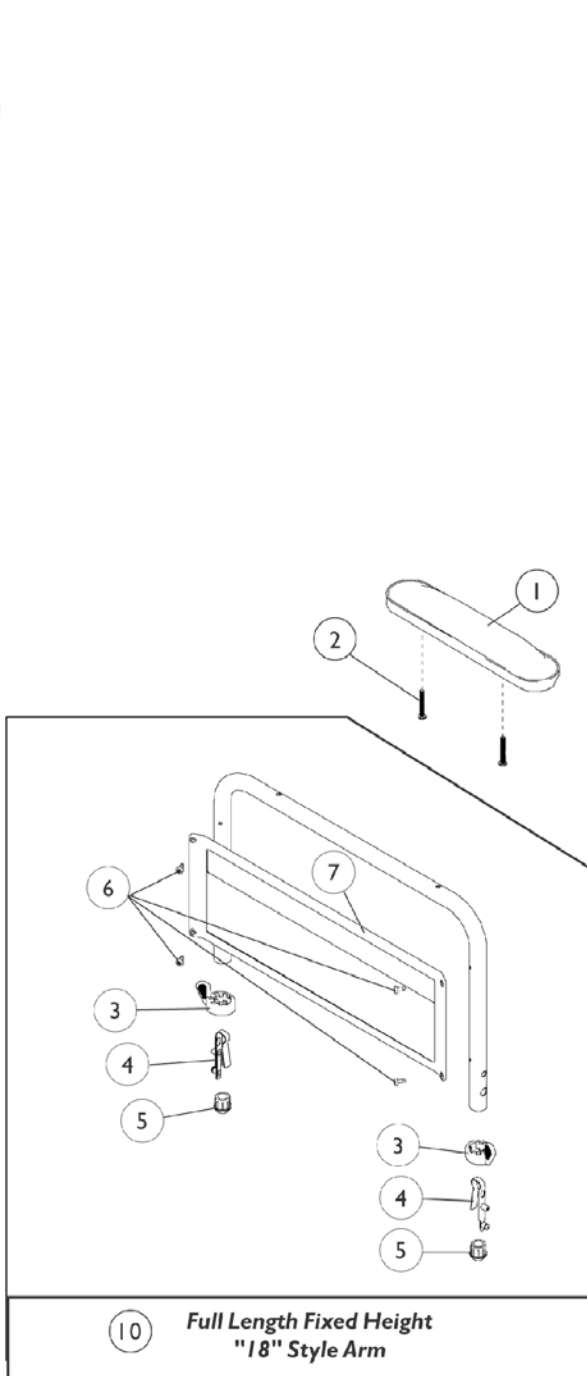
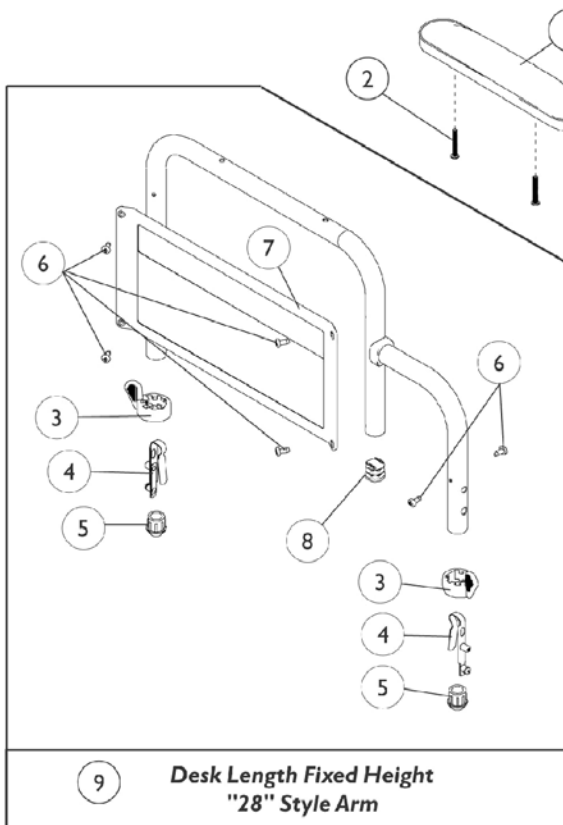
Back Height	14" Chair Width	16" Chair Width	18" Chair Width	20" Chair Width
16"-20"	1060611-NLA	1060612	1060613	1060614

Back Upholstery

Hardware for Back Upholstery

Part Number	Description	All Models, Except R32 Quantity Required	R32
1029850	Screws with Washers and Cable Ties (#10 x 7/8")	1 Pkg of 2	N/A
1057950	Screws with Washers (#10 x 7/8")	N/A	1 Pkg of 8

Fixed Height Arms

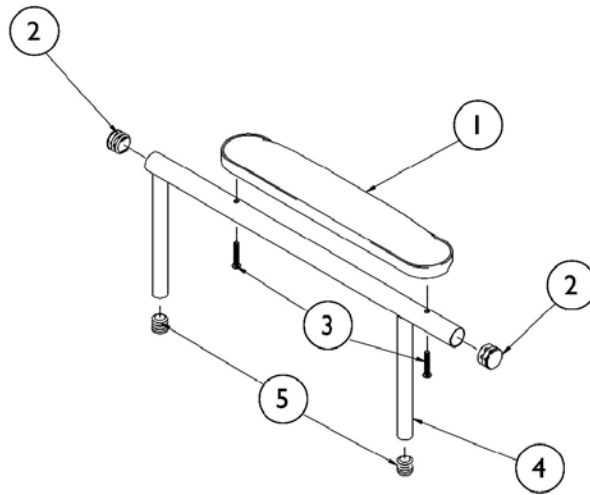


Fixed Height Arms

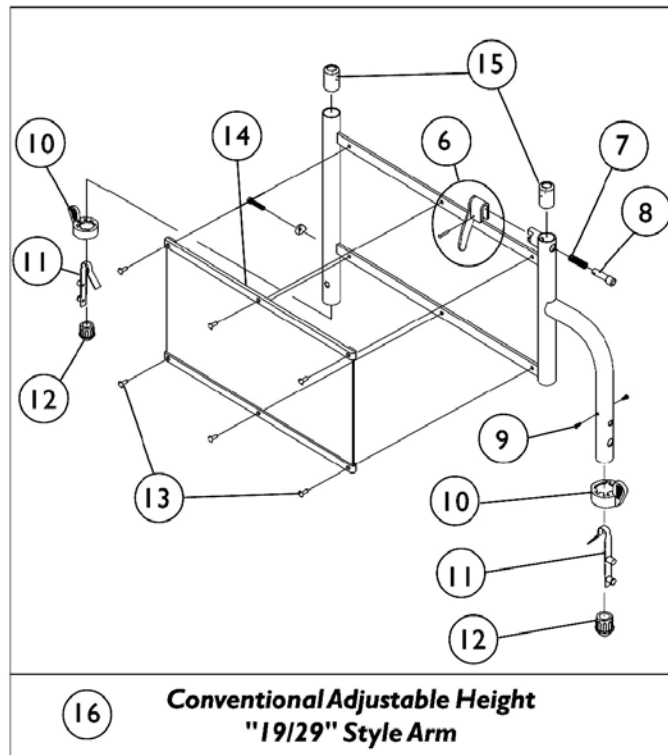
Item Number	Note	Part Number	Description	Quantity Per	
				Package	Assembly
1	B,C	8881053578	Kit, Arm Pad w/ Screws, Desk Length (9" L x 2" W) (Pair)	2	1
1	B,C	8881053577	Kit, Arm Pad w/ Screws, Full Length (14" L x 2" W) (Pair)	2	1
1	D	1110817	Kit, Arm Pad w/ Screws, Desk Length, Urethane Waterfall, Black (9" L x 2-5/8" W) (Pair)	2	1
1	D	1110818	Kit, Arm Pad w/ Screws, Full Length, Urethane Waterfall, Black (13" L x 2-5/8" W) (Pair)	2	1
1	B,C	8881011811-NL A	NLA - Pad, Arm, Vinyl, Desk Length (9" L x 2" W)	1	1
1	B,C	8881015932-NL A	NLA - Pad, Arm, Vinyl, Full Length - Right (14" L x 2" W)	1	1
1	B,C	8881015933-NL A	NLA - Pad, Arm, Vinyl, Full Length - Left (14" L x 2" W)	1	1
1	A,D,G	1117327	Kit, Arm Pad w/ Screws, Desk Length, Urethane Waterfall, Black (9" L x 2-5/8" W)	1	1
1	A,D,G	1117328	Kit, Arm Pad w/ Screws, Full Length, Urethane Waterfall, Black (13" L x 2-5/8" W)	1	1
2		1034083-NLA	NLA - Package, Screw Phillips Round Head (#10-32 x 1-1/8")	2	1
2	E	1094270-NLA	NLA - Package, Screw, Phillips Pan Head (#10-32 x 1-1/4")	2	1
3		1015450	Handle, Quad Release	1	2
4		1018225	Spring, Torsion with Button Lock	1	2
5		1036484	Plug, Armrest, Black (3/4") (18GA)	1	2
6	F	1116900	Screw, Self Tapping (#6-20 x 1/2")	1	4
7		1064132	Guard, Clothing, Desk Length - Right/ Left	1	1
7		1064131	Guard, Clothing, Full Length - Right/ Left	1	1
8		1027097	Plug Button, Black (3/4")	1	1
9		1108604-NLA	NLA - Arm Base Assembly, Desk Length, Black - Right	1	1
9		1108605-NLA	NLA - Arm Base Assembly, Desk Length, Black - Left	1	1
10		1108606-NLA	NLA - Arm Assembly, Full Length, Black - Right	1	1
10		1108607-NLA	NLA - Arm Assembly, Full Length, Black - Left	1	1

NOTE: A - As 1/3/02 upholstered waterfall armpads were replaced with black urethane waterfall armpads. Order in pairs with screws for chairs manufactured before 1/3/02.
 B - When ordering, please specify color U67 Black.
 C - R32/R51 Models
 D - LX/LXP Models
 E - For Black Urethane Waterfall Arm Pads Only.
 F - Desk Length takes quantity of 6
 G - After 7/9/07 Invacare recommends ordering armpads in pairs to assure uniform appearance on chair

Adjustable Height Arms



**Conventional Adjustable Height
"19/29" Style Arm**



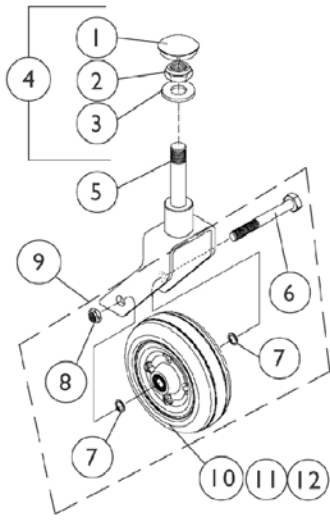
**16 Conventional Adjustable Height
"19/29" Style Arm**

Adjustable Height Arms

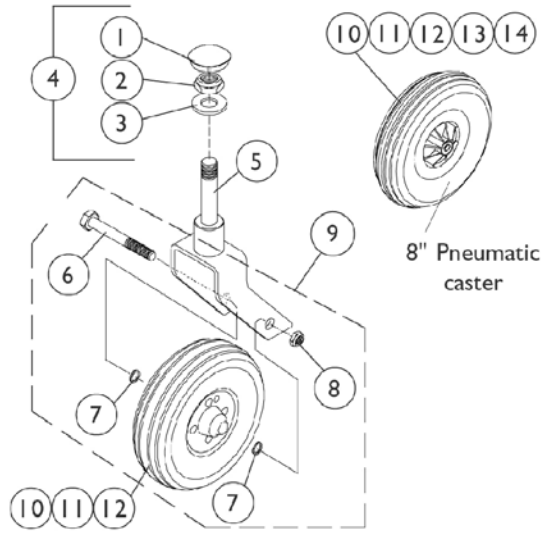
Item Number	Note	Part Number	Description	Quantity Per	
				Package	Assembly
1	B,C	8881053578	Kit, Arm Pad w/ Screws, Desk Length (9" L x 2" W) (Pair)	2	1
1	B,C	8881053577	Kit, Arm Pad w/ Screws, Full Length (14" L x 2" W) (Pair)	2	1
1	D	1110817	Kit, Arm Pad w/ Screws, Desk Length, Urethane Waterfall, Black (9" L x 2-5/8" W) (Pair)	2	1
1	D	1110818	Kit, Arm Pad w/ Screws, Full Length, Urethane Waterfall, Black (13" L x 2-5/8" W) (Pair)	2	1
1	B,C	8881011811-NL A	NLA - Pad, Arm, Vinyl, Desk Length (9" L x 2" W)	1	1
1	B,C	8881015932-NL A	NLA - Pad, Arm, Vinyl, Full Length - Right (14" L x 2" W)	1	1
1	B,C	8881015933-NL A	NLA - Pad, Arm, Vinyl, Full Length - Left (14" L x 2" W)	1	1
1	A,D	1117327	Kit, Arm Pad w/ Screws, Desk Length, Urethane Waterfall, Black (9" L x 2-5/8" W)	1	1
1	A,D	1117328	Kit, Arm Pad w/ Screws, Full Length, Urethane Waterfall, Black (13" L x 2-5/8" W)	1	1
2		1027095	Plug Button, Black (7/8")	1	2
3		1111714	Package, Screw Phillips Pan Head (#10-32 x 1-1/8")	2	1
3	E	1094270-NLA	NLA - Package, Screw, Phillips Pan Head (#10-32 x 1-1/4")	2	1
4		1038470	Arm Tube Assembly, Conventional w/ Plug Buttons, Desk Length, Black - Right/Left	1	1
4		1038472	Arm Tube Assembly w/ Plug Buttons, Full Length, Black - Right/Left	1	1
5		1035614	Plug Button, Black (5/8")	1	2
6		1090768	Kit, Lock Handle w/Rivets (Pair)	2	1
7		47471X074	Spring, Arm Lock	1	1
8		47471X068	Pin, Locking	1	1
9		1025729	Screw, Phillips Pan Head Tap (#8-32 x 3/8")	1	2
10		1015450	Handle, Quad Release	1	2
11		1018225	Spring, Torsion with Button Lock	1	2
12		1036484	Plug, Armrest, Black (3/4") (18GA)	1	2
13		1028645	Rivet	1	6
14		1064129	Guard, Clothing	1	1
15		1036150	Anti-Rattle	1	2
16		1057992	Arm Base Assembly, Removable, Black - Right	1	1
16		1057993	Arm Base Assembly, Removable, Black - Left	1	1

NOTE: A - As of 1/3/02 upholstered waterfall armpads were replaced with black urethane waterfall armpads. Order in pairs with screws for chairs manufactured before 1/3/02.
 B - When ordering please specify color U67 Black.
 C - R32/R51 Models
 D - LX/LXP Models
 E - For Black Urethane waterfall Arm Pads Only

Casters, Forks and Hardware



6" Caster Assembly



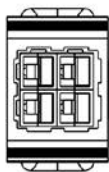
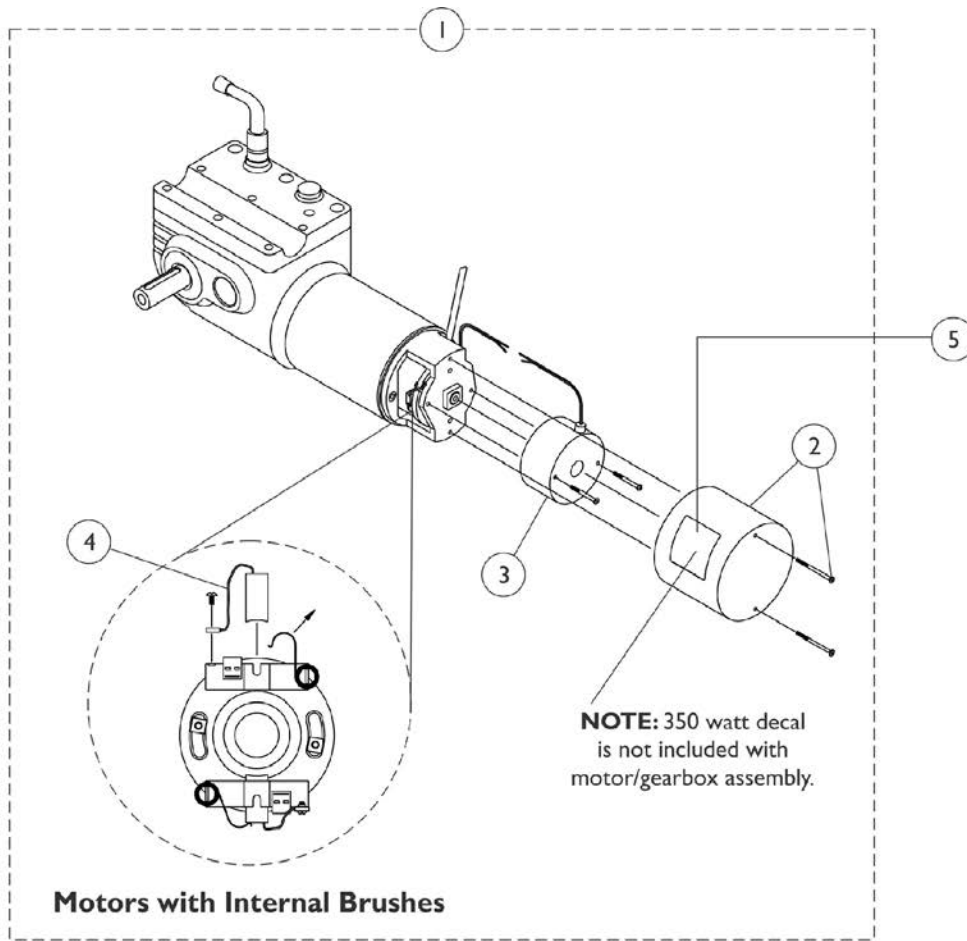
8" Caster Assembly

Casters, Forks and Hardware

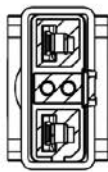
Item Number	Note	Part Number	Description	Quantity Per	
				Package	Assembly
1		1056739	Plug Button, Head Tube, Black	1	1
2		1028550	Locknut (5/8-18)	1	1
3		1041444	Washer, Nylon (5/8 x 1-5/16 x 1/8")	1	1
4	A	1057949	Hardware, Fork Stem	1	1
5	E	8881071460-NL A	NLA - Fork and Stem (6" Caster)	1	1
5	E	1058556-NLA	NLA - Fork and Stem (8" Caster)	1	2
5	F	1124830-NLA	NLA - Fork and Stem (8" Caster)	1	2
6		1025726	Screw, Hex Head (7/16-20 x 3-1/4")	1	1
7		1025724	Washer, Steel (15/32 x 5/8 x 3/64")	1	2
8		1025734	Locknut (7/16-20)	1	1
9	B	1042489	Hardware, Caster Axle	1	2
10	C	1072014-NLA	NLA - Wheel Assembly, Semi-Pneumatic, Urethane (6" x 2")	1	1
10	D	1115179	Wheel Assembly, Semi-Pneumatic, Urethane, Deep Profile, Grey Tire/Black Hub (6" x 2")	1	1
10	D	1122066	Wheel Assembly, Semi-Pneumatic, Urethane, Deep Profile, Grey Tire/Black Hub (6" x 2") (Pair)	2	1
10		1070811	Wheel Assembly, Semi-Pneumatic, Urethane, Light Grey (8" x 1-3/4")	1	1
10		1002002	Wheel Assembly w/ Bearings, Pneumatic (8" x 2")	1	1
11		1006049	Bearing (7/16")	1	2
12		1020592	Spacer, Bearing (7/16 x 5/8 x 1-3/4")	1	1
13		40176X034	Tire, Pneumatic (8" x 2")	1	1
14		1034942	Tube, Pneumatic Inner (8 x 2")	1	1

NOTE: A - Includes items 1-3
 B - Includes items 6-8 to accommodate 1 side.
 C - Service part No Longer Available 8/15/03. Due to product improvement, order (pair) part number 1122066 dated after 8/14/03 so each side matches. The deep profile caster has 2 tread grooves w/ round corners instead of 4 tread grooves w/ square corners.
 D - For chairs made after 8/14/03
 E - 17-3/4" - 19-3/4" Seat to Floor chairs
 F - 21" Seat to Floor chairs

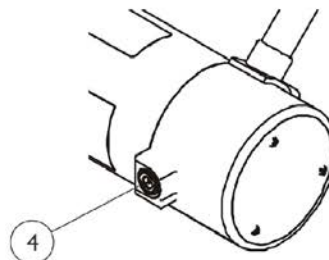
2-Pole Motor and Gearbox Assembly



**Motor Connector
(Square)**
Before 2/15/03 for
MKIV Electronics



**Motor Connector
(Rectangular)**
After 2/14/03 for
Mk5 Electronics



**Motors with External
Brushes**
(introduced 2/24/06)

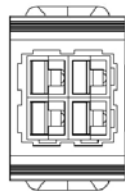
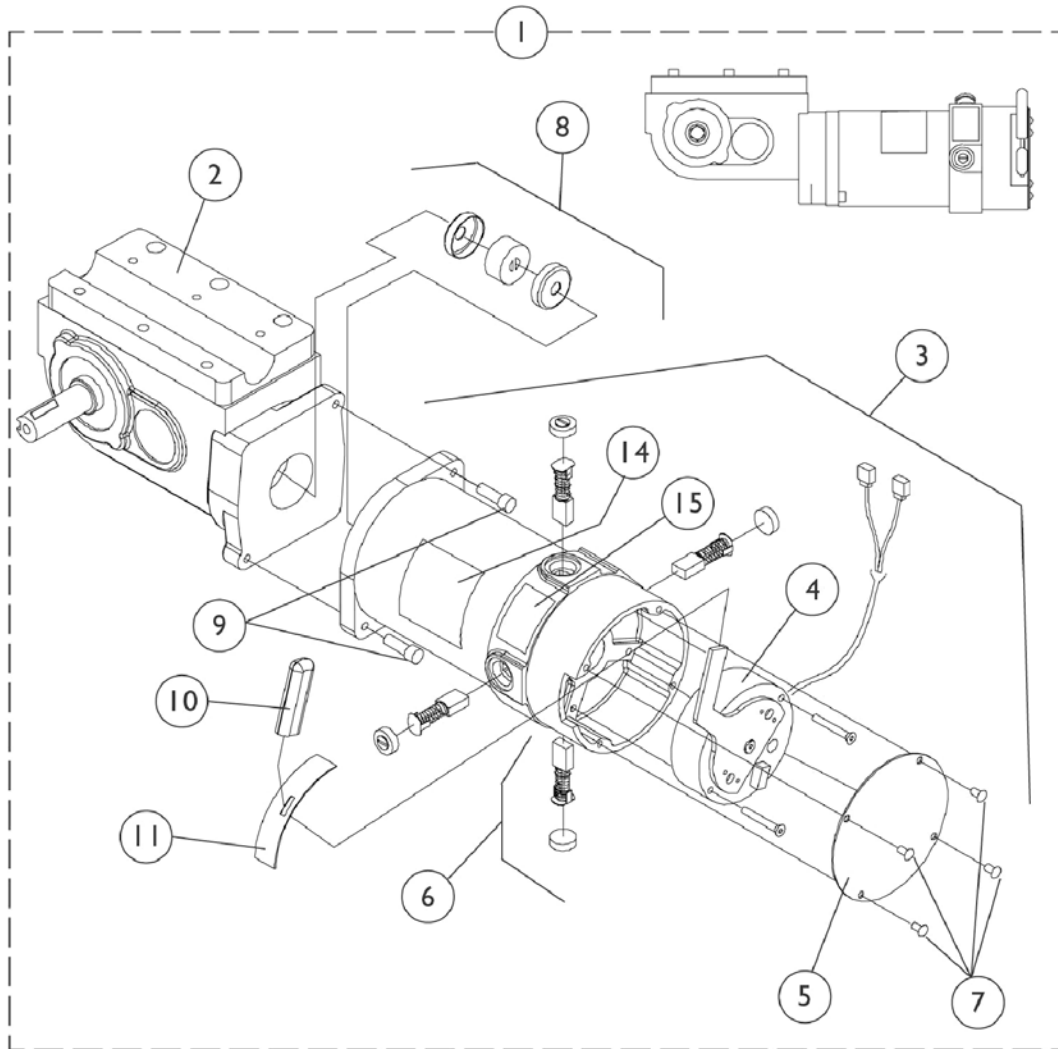
2-Pole Motor and Gearbox Assembly

Item Number	Note	Part Number	Description	Quantity Per	
				Package	Assembly
1	A,B	1107665-NLA	NLA - Motor/Gearbox Assembly - Right	1	1
1	A,B	1107666-NLA	NLA - Motor/Gearbox Assembly - Left	1	1
1	A,C,H	1111707	Motor/Gearbox Assembly - Right	1	1
1	A,C,H	1111708	Motor/Gearbox Assembly - Left	1	1
1	A,G	1141282	Motor/Gearbox Assembly - Right	1	1
1	A,G	1141283	Motor/Gearbox Assembly - Left	1	1
2	A	1038361-NLA	NLA - Kit, Motor/Brake Covers with Screws	2	1
3		1055872-NLA	NLA - Brake, Spring Set with Screws	1	1
4	D	1123528-NLA	NLA - Kit, Motor Brush - Internal (Large)	2	1
4	E	1137265-NLA	NLA - Kit, Motor Brush w/ Cap - External (Pair)	2	1
	F	1122164	Instruction Sheet, Motor Brush Kit	1	1
5		1107653-NLA	NLA - Decal, 2 Pole Motor (350 Watts)	1	1

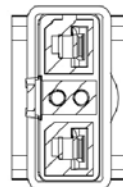
NOTE: A - Item 5 not included
 B - Before 2/15/03 for MKIV controller only.
 C - Chairs built from 2/14/03 thru 2/23/06 for MK5 controller only. Contains internal motor brushes.
 D - For motors with internal brushes. Includes 2 ea. brushes and 1 ea. instruction sheet.
 E - For motors with external brushes. Includes 2 ea. brushes, 2 ea. brush caps, and 1 ea. instruction sheet.
 F - Not Shown
 G - Chairs built After 2/23/06 for MK5 controller only. Due to alternate suppliers, replacement motors may contain either internal or external motor brushes.
 H - Due to alternate suppliers, replacement motors may contain either a (black longer cap w/ internal brushes) or (silver metal cap w/ external brushes). Motors are interchangeable.

4-Pole Motor and Gearbox Assembly

Model R51LXP only



**Motor Connector
(Square)**
Before 2/15/03 for
MKIV Electronics



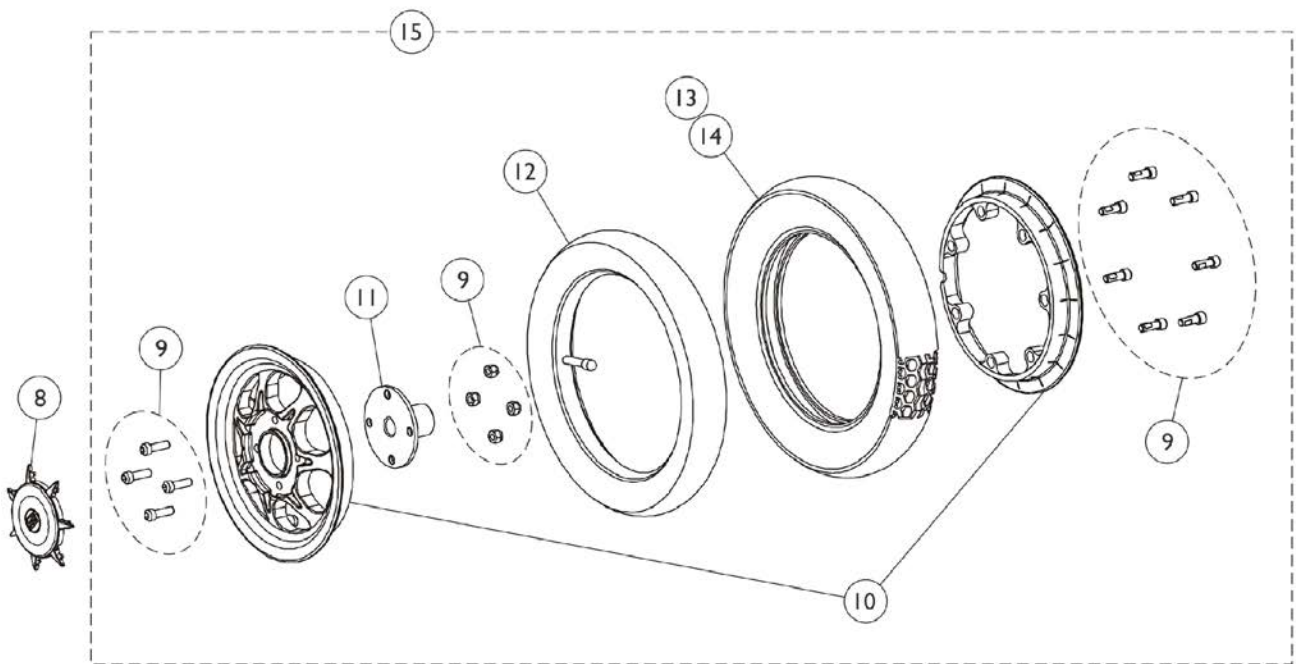
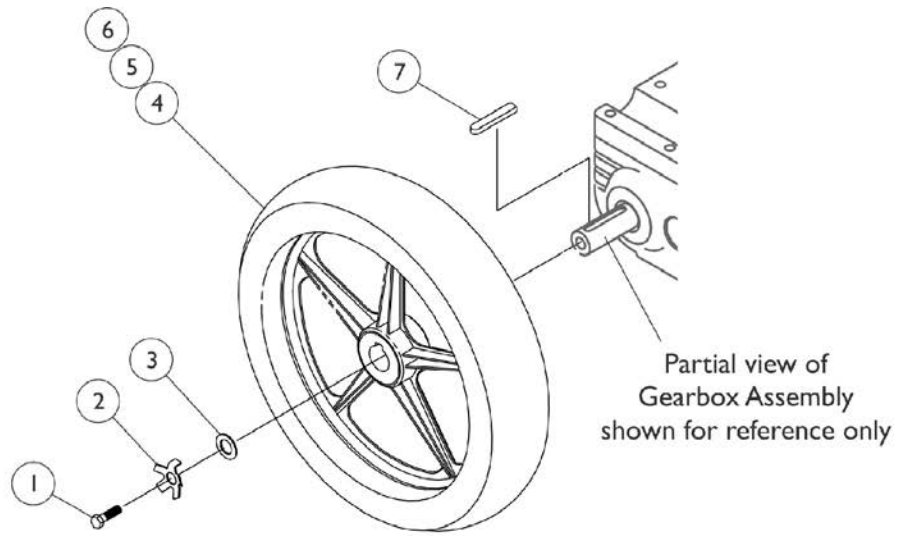
**Motor Connector
(Rectangular)**
After 2/14/03 for
MK5 Electronics

4-Pole Motor and Gearbox Assembly Model R51LXP only

Item Number	Note	Part Number	Description	Quantity Per	
				Package	Assembly
1	A,B	1109167-NLA	NLA - Motor/Gearbox Assembly (RWD=R;MWD=L)	1	1
1	A,B	1109168-NLA	NLA - Motor/Gearbox Assembly (RWD=L;MWD=R)	1	1
1	A,C,D, G	1124268	Motor/Gearbox Assembly (RWD=R;MWD=L)	1	1
1	A,C,D, G	1124269-NLA	NLA - Motor/Gearbox Assembly (RWD=L;MWD=R)	1	1
2	F	1086221	Gearbox, RWD=R;MWD=L	1	1
2	F	1086222-NLA	NLA - Gearbox, RWD=L;MWD=R	1	1
3	A,B	1109228-NLA	NLA - Motor Assembly - RWD=R;MWD=L	1	1
3	A,B	1109229-NLA	NLA - Motor Assembly - RWD=L;MWD=R	1	1
3	A,C	1114905-NLA	NLA - Motor Assembly - RWD=R;MWD=L	1	1
3	A,C	1114906-NLA	NLA - Motor Assembly - RWD=L;MWD=R	1	1
4	I	1070294-NLA	NLA - Kit, Brake Repair, RWD=R, MWD=L	1	1
4	I	1070295-NLA	NLA - Kit, Brake Repair, RWD=L, MWD=R	1	1
5		1104402-NLA	NLA - Cover, Brake w/ Screws, Black	1	1
6	H	1070296-NLA	NLA - Kit, Brushes with Caps, 4-Pole	4	1
			Brush, Motor, 4 Pole	1	4
			Cap, Brush	1	4
			Instruction Sheet	1	1
7	E	See Note	See Footnote	1	4
8		50000X007-NLA	NLA - Coupling w/ Cup (1-5/16" Diameter)	1	1
9	F	1043594	Screw, Socket Head (1/4-20 x 1-1/8")	1	2
9	F	1108978	Screw, Socket Head (M6 x 1 x 20mm)	1	2
10		1101725	Cap, Brake Lever End, Black	1	1
11		1082985-NLA	NLA - Plate, Slotted	1	1
12		1071505	Screw, Socket w/ Patch (M6 x 1 x 20mm)	1	2
13		1071504-NLA	NLA - Screw, Socket w/ Patch (M6 x 1 x 35mm)	1	3
14		1107654-NLA	NLA - Decal, 4 Pole Motor (650 Watts)	1	1
15		1104797	Decal, Drive/Push	1	1

NOTE: A - Items 14 and 15 not included
 B - Before 2/15/03 for MKIV controller only
 C - After 2/14/03 for MK5 controller only
 D - Always verify with the Customer what model electronics are present. A special quote to have MKIV electronics ordered could be possible. See pictorial to help identify the motor connector plugs that are present.
 E - Refer to item 5
 F - When a new gearbox or mounting screws are ordered, (2 ea.) metric and (2 ea.) non-metric screws (item 9) must be ordered. Invacare Corp. utilizes alternate suppliers for this part number.
 G - As of May 2008, the Metal Motor End Cap will be replaced with a Composite Motor End Cap. The change does not affect form, fit, function or aesthetics.
 H - Kit includes (4) Brushes, (4) Brush Caps and Instruction Sheet.
 I - Use existing screws when installing the Brake Repair Kit. The Motor Brake Mounting Screws are not saleable.

Drive Wheel and Mounting Hardware For 2-Pole and 4-Pole Motors



Split Rim Drive Wheel

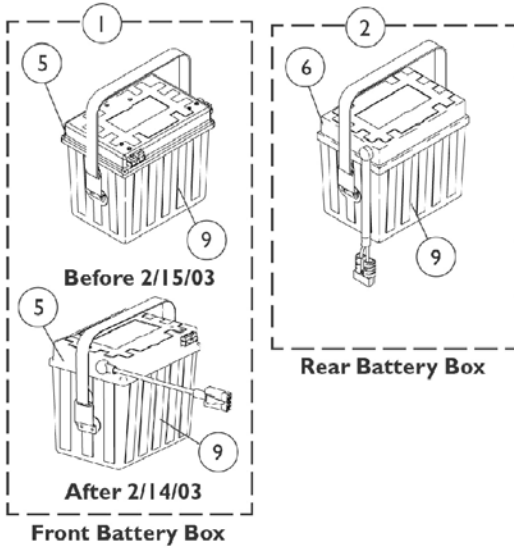
Drive Wheel and Mounting Hardware For 2-Pole and 4-Pole Motors

Item Number	Note	Part Number	Description	Quantity Per	
				Package	Assembly
1		1023260	Screw (M8 x 1.25 x 20mm)	1	1
2		1064179	Kit, Locking Tab Washer w/ Instruction Sheet (Pair)	2	1
3		1079247	Washer, Flat (21/64 x 53/64 x 7/64")	1	1
4	C	1064178-NLA	NLA - Drive Wheel Assembly, 5 Spoke, Pneumatic (12-1/2 x 2-1/4") Includes: Locking Tab Washer with Instruction Sheet	1	1
4	C	1064177	Drive Wheel Assembly, 5 Spoke w/ Foam Fill Insert (12-1/2 x 2-1/4") Includes: Locking Tab Washer with Instruction Sheet	1	1
5		1011524	Tire, Pneumatic, Grey (12-1/2" x 2-1/4")	1	1
6		1011525	Tube, Inner, Black (12-1/2 x 2-1/4")	1	1
7		1023264	Key (6mm x 6mm x 40mm)	1	1
8	E	1122835	Cap, Hub, Spoke	1	1
9		1123137	Drive Wheel Hardware, Hub and 2-Piece Rim (12-1/2 x 2-1/4") Consists of: 4 ea. Screw, Socket Head Cap (5/16-24 x 1") 4 ea. Locknut (5/16-24) 7 ea. Screw, Socket Head Cap (1/4-20 x 1")	1	1
10		1123138	Rim Assembly, Inner/Outer (12-1/2 x 2-1/4")	1	1
11		1122196	Hub, Wheel	1	1
12		1011525	Tube, Inner, Black (12-1/2 x 2-1/4")	1	1
13		1011524	Tire, Pneumatic, Grey (12-1/2" x 2-1/4")	1	1
14		1122837	Tire w/ Foam Fill Insert, Grey (12-1/2" x 2-1/4")	1	1
15	A,D	1122836	Drive Wheel Assembly, 7 Spoke, Pneumatic (12-1/2 x 2-1/4")	1	1
15	B,D	1122838	Drive Wheel Assembly, 7 Spoke with Foam Fill Insert (12-1/2 x 2-1/4")	1	1

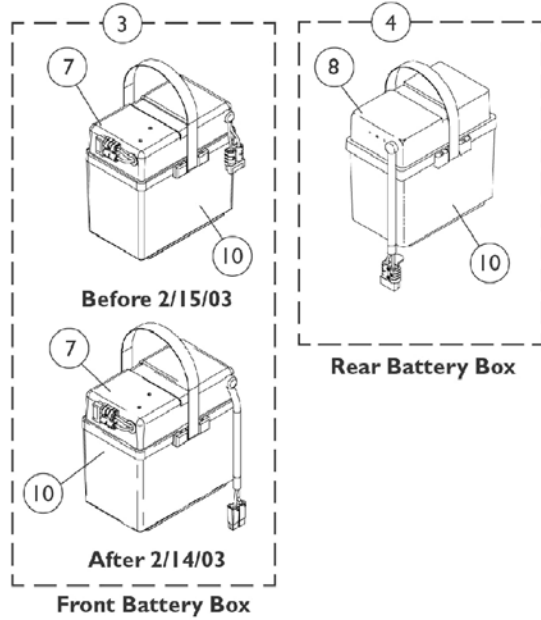
NOTE: A - Includes items 9-13
 B - Includes items 9-11 and 14
 C - These wheels are standard production on the Nutron
 D - The split rim wheel is offered as an Off Chair option only, it is not offered On Chair. When split rim wheel is ordered, item 8 Hub Cap must be ordered as well.
 E - Hub cap must be ordered when item 15 wheel is ordered.

Battery Boxes & Trays

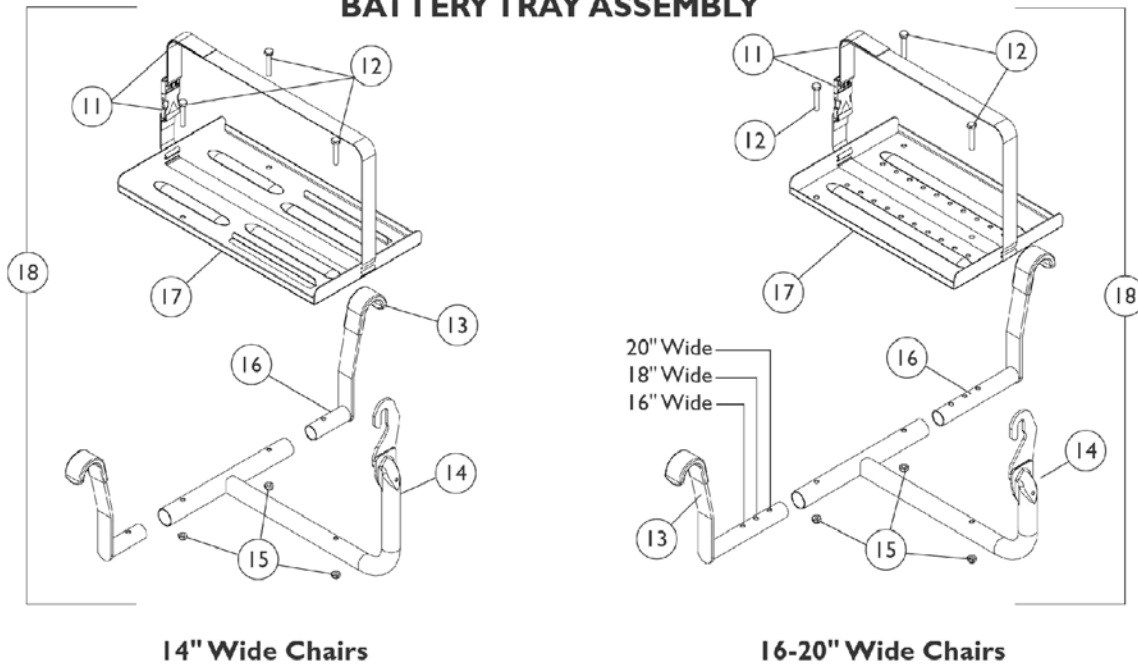
UI BATTERY BOXES



22NF BATTERY BOXES



BATTERY TRAY ASSEMBLY



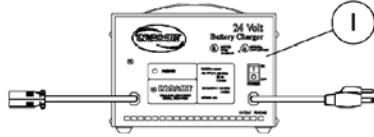
Battery Boxes & Trays

Item Number	Note	Part Number	Description	Quantity Per	
				Package	Assembly
1	H	1107689-NLA	NLA - Battery Box Assembly, Front, UI	1	1
1	I	1115916-NLA	NLA - Battery Box Assembly, Front, U1	1	1
2		1107692-NLA	NLA - Battery Box Assembly, Rear, UI	1	1
3	H	1107690-NLA	NLA - Battery Box Assembly, Front, 22NF	1	1
3	I	1115917-NLA	NLA - Battery Box Assembly, Front, 22NF	1	1
4		1097007	Battery Box Assembly, Rear, 22NF	1	1
5	H	1107684-NLA	NLA - Top, Battery Box, Front, UI	1	1
5	I	1115466-NLA	NLA - Battery Box Top, Front, U1	1	1
6		1107687-NLA	NLA - Top, Battery Box, Rear, UI	1	1
7	H	1107680-NLA	NLA - Battery Box Lid Assembly, Front, 22NF	1	1
7	I	1115248-NLA	NLA - Top, Battery Box, Front, 22NF	1	1
8	G	1097003	Battery Box Top, Rear, 22NF	1	1
	C	1089385	Fuse, MIDI (Non-G/B & G/B) (80 AMP)	1	1
9	D	1009268-NLA	NLA - Battery Box Bottom Assembly, U1	1	2
	C,J	1013319	Strap, Battery	1	1
	C,J	1003177-NLA	NLA - Rivet	1	4
	C,J	16348X005-NLA	NLA - Washer, Steel (5/32 x 3/8 x 1/32")	1	4
10	E	1057944	Battery Box Bottom with Strap, 22NF	1	2
	C,K	1057954-NLA	NLA - Strap, Battery	1	1
	C,K	1041433-NLA	NLA - Pin, Handle	1	2
	A,C,F	1060318-NLA	NLA - Hardware, Battery Terminal, UI Batteries (Pair)	2	1
	B,C,G	1058618-NLA	NLA - Hardware, Battery Terminal, 22NF Batteries (Pair)	2	1
11		1107671	Buckle with Strap	1	1
12		1074642-NLA	NLA - Screw, Hex Head (1/4-20 x 1-3/8")	1	3
13		1107153-NLA	NLA - Cover, Hanger	1	2
14		1106305-NLA	NLA - Bracket, Hanger, Battery Tray, Hemi, Black	1	1
14		1106306-NLA	NLA - Bracket, Hanger, Battery Tray, Adult, Black	1	1
15		7930323-NLA	NLA - Package, Locknut (1/4-20)	25	3
16	F,L	1108616-NLA	NLA - Bracket, Hanger, Battery Tray, Black	1	2
16	G	1106293	Bracket, Hanger, Battery Tray, Black	1	2
17	F	1106310-NLA	NLA - Tray, Battery (UI Batteries)	1	1
17	G	1106309-NLA	NLA - Tray, Battery (22NF Batteries)	1	1
18	F	1107673-NLA	NLA - Battery Tray Assembly, Hemi	1	1
18	F	1107674-NLA	NLA - Battery Tray Assembly, Adult	1	1
18	G	1107675	Battery Tray Assembly, Hemi	1	1
18	G	1107676	Battery Tray Assembly, Adult	1	1

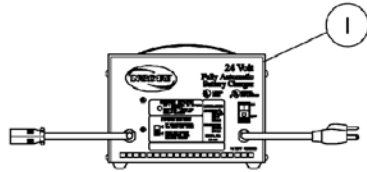
Battery Boxes & Trays

NOTE: A - Hardware includes small battery terminal caps (gray and orange) 1/4-20 x 7/8" hex flange screws, 1/4-20 hex flange nuts, cable ties, locking tab washers and instruction sheet for two batteries.
B - Hardware includes battery clamps, battery clamp caps (red and black), small battery terminal caps (red and black), 1/4-20 x 7/8" hex flange screws, 1/4-20 hex flange nuts, cable ties and locking tab washers two batteries.
C - Not Shown.
D - Includes: Battery Strap (1013319); Pop Rivet (5/32) (1003177); Washer (5/32 x 3/8 x 1/32) (16348X005)
E - Includes: Battery Strap (1057954); Handle Pin (1041433)
F - 14" Wide
G - 16-20" Wide
H - Before 2/15/03 for MKIV controller only
I - After 2/14/03 for MK5 controller only
J - Part included with item #9
K - Part included with item #10
L - No longer available as a service part, use Item 18 (1107673 or 1107674) for the replacement.

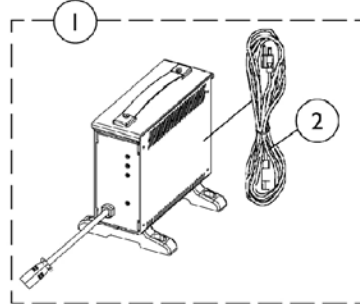
Battery Chargers



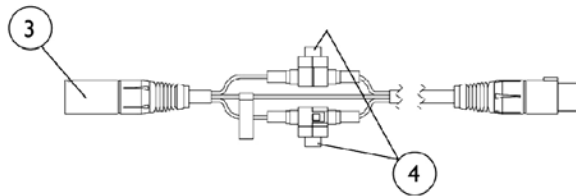
Lester 4 Amp. Battery Charger
R32 / R51



Lester 8 Amp. Battery Charger
R32LX / R50LX / R51LX / R51LXP



CTE Battery Charger
R32 / R51
and
R32LX / R50LX / R51LX / R51LXP



Battery Chargers

Item Number	Note	Part Number	Description	Quantity Per	
				Package	Assembly
1	C	1061411-NLA	NLA - Charger, Battery, 4 Amp. 115vac, Off Board, Dual Mode, Round Plug, Lester	1	1
1	D,G	1053161-NLA	NLA - Charger, Battery, 8 Amp, 115vac, Off Board Dual Mode Round Plug, Lester	1	1
1	E	1123249	Charger, Battery, 8 Amp. 115vac (Off Board) Single Mode Round Plug w/ AC Power Line Cord	1	1
1	E	1123249E-NLA	NLA - WARR RPLMT - Charger, Battery, 8 Amp, 115VAC (Off Board) Single Mode Round Plug w/ AC Power Line Cord	1	1
2	F	1089627-NLA	NLA - Cord, AC Power, 115VAC, 2 Prong Off-Board (11' 6" L)	1	1
2		1121086	Cord, AC Power, 115VAC, 3 Prong On-Board (6' 6-1/2" L)	1	1
3		1083929-NLA	NLA - Cable, Charger Extension, Round Plug (24" L)	1	1
4	A	1098892-NLA	NLA - Fuse - Buss ATC-15 (15 AMP)	1	1
4	B	1090117-NLA	NLA - Fuse - Buss Mini ATM-15 (15 AMP)	1	2
<p>NOTE: A - Before 4/1/03 B - After 3/31/03 C - CTE 8 Amp. charger replaced the obsoleted Lester 4 Amp. charger as of 4/1/04 . D - Lester 8 Amp. charger was standard on R32LX / R50LX / R51LX /R51LXP models before 4/1/04 and optional after 3/31/04, when the CTE charger became standard. E - CTE charger introduced and standard on-chair 4/1/04 for all models. Used on Gel Cell or AGM (Absorbed Glass Mat) batteries. Serial number starts with 04A00000001. For wet cell batteries refer to the Lester 8 Amp. charger. F - No longer available as a service part. Please use 1121086 as its replacement. G - Use Battery Charger part number 1123249 as a replacement.</p>					

Front Riggings Reference Chart

Support Assemblies

Rigging Type	Black Right	Black Left	Chrome Right	Chrome Left
PW93	1108638-NLA	1108639-NLA	N/A	N/A
PW93ST	1108634-NLA	1108635-NLA	N/A	N/A
PW93E	1108630-NLA	1108631-NLA	N/A	N/A
P93M	1037695-NLA	1037696-NLA	N/A	N/A
PAS4A/PAL4A (14"-20"W)	N/A	N/A	1058482-NLA	1058483-NLA
P904A (14"-20"W)	1108644-NLA	1108645-NLA	N/A	N/A

Calf pads and attaching hardware not included with legrest. See category titled, "Legrest Supports".

Pivot/Slide Tubes with Footplates

PW93/PW93E

Footplate Type	Side	14" Wide	16" Wide	18" Wide	20" Wide
Aluminum (1650)	Right	1041542-NLA	1074149	1074149	1074149
	Left	1041543-NLA	1074150	1074150	1074150
Deluxe Alum. (1450)	Right	N/A	1074151-NLA	1074151-NLA	1074151-NLA
	Left	N/A	1074152-NLA	1074152-NLA	1074152-NLA
Extra Large (1350)	Right	1086790-NLA	1026395	1026395	1026395
	Left	1086791-NLA	1026396	1026396	1026396
Adjustable Angle (AT5543)	Right	1060444	1062756	1062756	1062756
	Left	1060445	1062757	1062757	1062757

Note: Pivot/Slide tube mounting hardware not included.

Front Riggings Reference Chart

PW93ST

Footplate Type	Side	14" Wide	16" Wide	18" Wide	20" Wide
Composite (1651)	Right	N/A	1057859	1057869	1057879
	Left	N/A	1057860	1057870	1057880

Note: Pivot/Slide tube mounting hardware not included.

P93M

Footplate Type	Side	14" Wide	16" Wide	18" Wide	20" Wide
Aluminum (1650)	Right	1058573-NLA	1057969-NLA	1057969-NLA	1057969-NLA
	Left	1058574-NLA	1057970-NLA	1057970-NLA	1057970-NLA
Deluxe Alum. (1450)	Right	N/A	1028892-NLA See Note(s) A	1028892-NLA See Note(s) A	1028892-NLA See Note(s) A
	Left	N/A	1028893-NLA See Note(s) A	1028893-NLA See Note(s) A	1028893-NLA See Note(s) A
Complete 93BK Footrest Assembly w/ 1450 Deluxe Aluminum Footplate and Heel Loop attached. (sold complete) - Right	Right	N/A	02303X107-NLA See Note(s) B	02303X107-NLA See Note(s) B	02303X107-NLA See Note(s) B
Complete 93BK Footrest Assembly w/ 1450 Deluxe Aluminum Footplate and Heel Loop attached. (sold complete) - Left	Left	N/A	02303X108-NLA See Note(s) B	02303X108-NLA See Note(s) B	02303X108-NLA See Note(s) B
Extra Large (1350)	Right	1031928-NLA	1031924-NLA	1031924-NLA	1031924-NLA
	Left	1031929-NLA	1031925-NLA	1031925-NLA	1031925-NLA

NOTE: A - No longer available as a service part individually. Order as a replacement part number 02303X107 Right and 02303X108 Left Footrest Assembly complete.

B - Not Shown. Includes a Footrest Support Assembly, Pivot/Slide Tube w/ Deluxe Aluminum Footplate (1450) and Heel Loop attached. Items are sold complete.

Note: Pivot/Slide tube mounting hardware not included.

Front Riggings Reference Chart

PAS4A (14")

Footplate Type	Side	14" Wide	16" Wide	18" Wide	20" Wide
Aluminum (1650)	Right	1023905-NLA	N/A	N/A	N/A
	Left	1023906-NLA	N/A	N/A	N/A
Extra Large (1350)	Right	1035454-NLA	N/A	N/A	N/A
	Left	1035455-NLA	N/A	N/A	N/A

Note: Pivot/Slide tube mounting hardware not included.

PAL4A (16-20")

Footplate Type	Side	14" Wide	16" Wide	18" Wide	20" Wide
Aluminum (1650)	Right	N/A	1023907	1023907	1023907
	Left	N/A	1023908	1023908	1023908
Extra Large (1350)	Right	N/A	1035456	1035456	1035456
	Left	N/A	1035457	1035457	1035457

Note: Pivot/Slide tube mounting hardware not included.

P904A (14")

Footplate Type	Side	14" Wide	16" Wide	18" Wide	20" Wide
Aluminum (1650)	Right	1058612-NLA	N/A	N/A	N/A
	Left	1058613-NLA	N/A	N/A	N/A
Extra Large (1350)	Right	1058828-NLA	N/A	N/A	N/A
	Left	1058829-NLA	N/A	N/A	N/A

Note: Pivot/Slide tube mounting hardware not included.

Front Riggings Reference Chart

P904A (16 - 20")

Footplate Type	Side	14" Wide	16" Wide	18" Wide	20" Wide
Aluminum (1650)	Right	N/A	1058604	1058604	1058604
	Left	N/A	1058605	1058605	1058605
Deluxe Alum. (1450)	Right	N/A	1028723-NLA	1028723-NLA	1028723-NLA
	Left	N/A	1028724-NLA	1028724-NLA	1028724-NLA
Extra Large (1350)	Right	N/A	1058830	1058830	1058830
	Left	N/A	1058831	1058831	1058831

Note: Pivot/Slide tube mounting hardware not included.

PW93 Footrest Supports

Black



**Slide Tube
Mounting Hardware**

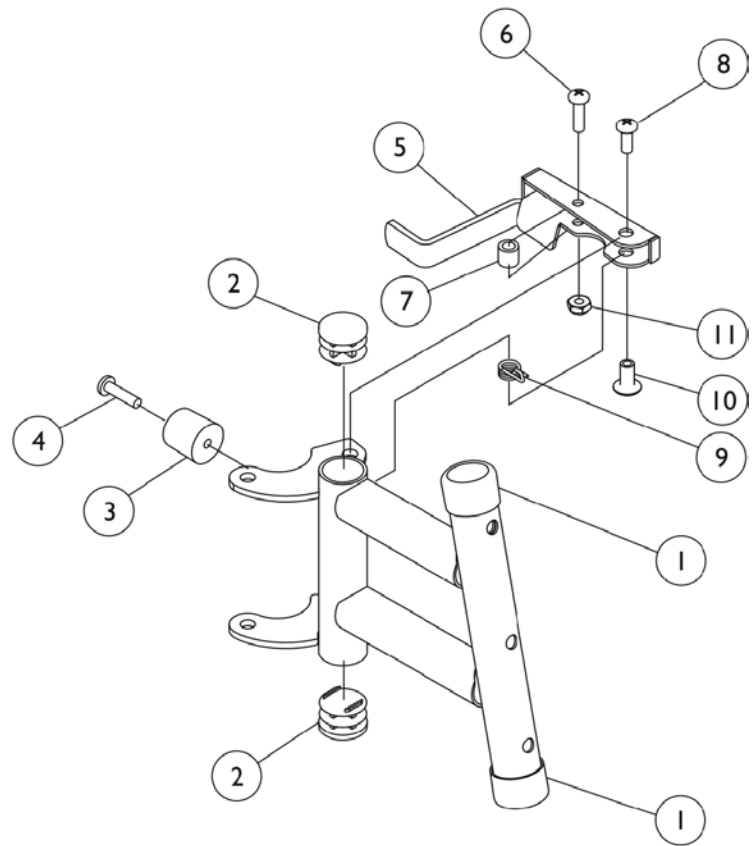
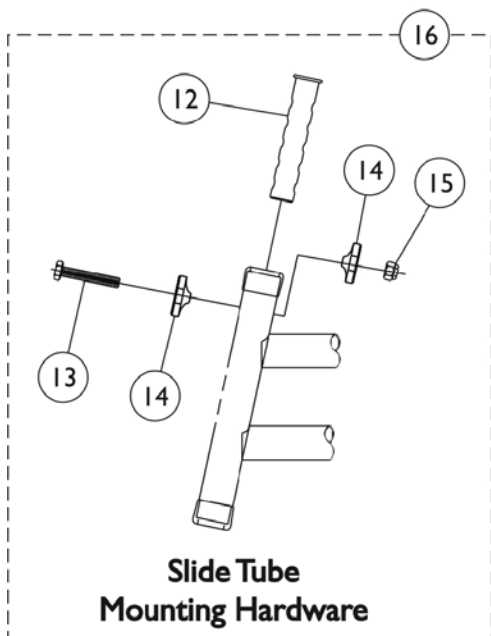
PW93 Footrest Supports Black

Item Number	Note	Part Number	Description	Quantity Per	
				Package	Assembly
1		1020719	Anti-Rattle, Black	1	1
2		47565X057	Bushing (7/32 x 3/8 x 11/32")	1	1
3		1025716	Screw, Phillips Pan Head (#10-32 x 11/16")	1	1
4		1026114	Screw, Phillips Pan Head (#10-32 x 1/2")	1	1
5		1035539	Handle, Release, Black - Right	1	1
5		1035540	Handle, Release, Black - Left	1	1
6		1025735	Locknut (#10-32)	1	1
7		1028846-NLA	NLA - Rivnut (#10-32)	1	1
8		1028707	Spring, Release - Right	1	1
8		1028708	Spring, Release - Left	1	1
9		15680X012	Collar, Anti-Rattle (7/8")	1	1
10		1070759	Screw, Hex Head (1/4-20 x 1-1/2")	1	1
11		1026099	Spacer, Coved (1/4 x 11/16 x 1/2")	1	2
12		1044214	Nut, Hex with Nylon Cap (1/4-20)	1	1
13	B	1020534	Insert, Threaded	1	1
14		1074143	Kit, Slide Tube Mounting Hardware	1	1
	A	1108638-NLA	NLA - Footrest Support Assembly, Adult, Black - Right	1	1
	A	1108639-NLA	NLA - Footrest Support Assembly, Adult, Black - Left	1	1

NOTE: A - Not Shown
 B - As of 8/15/03, the Threaded Insert was revised from 3 to 5 Holes. Threaded Insert is Backward Compatible and does not require ordering in Pairs.

PW93E Footrest Supports

Black



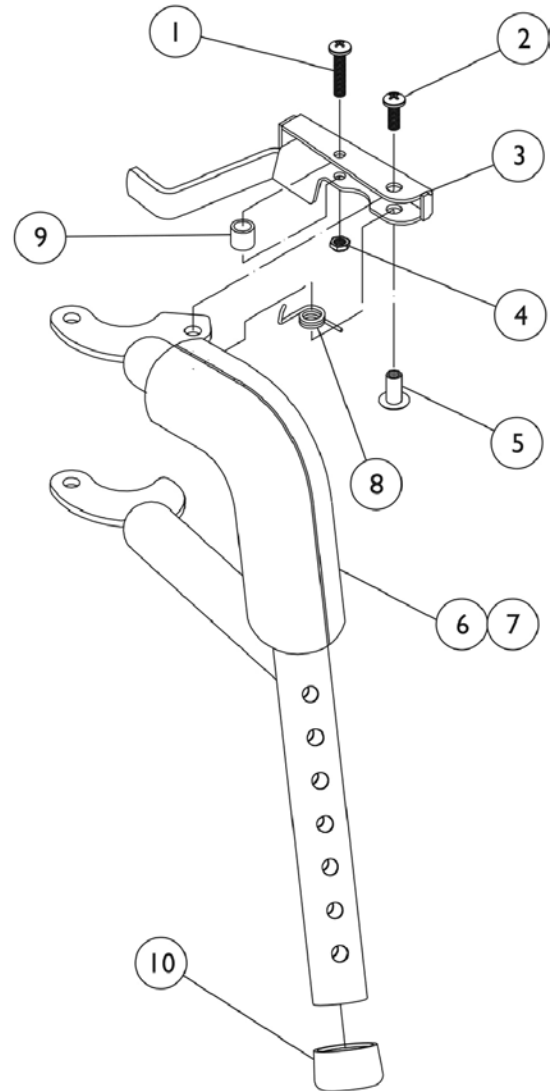
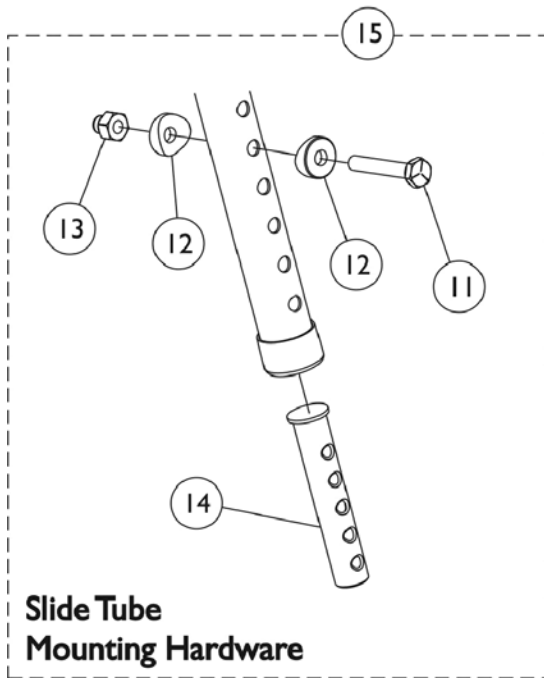
PW93E Footrest Supports Black

Item Number	Note	Part Number	Description	Quantity Per	
				Package	Assembly
1		15680X012	Collar, Anti-Rattle (7/8")	1	2
2		1027095	Plug Button, Black (7/8")	1	2
3		1022874	Bumper	1	1
4		1030979	Screw, Phillips Pan Head Tap (#10-32 x 3/4")	1	1
5		1035539	Handle, Release, Black - Right	1	1
5		1035540	Handle, Release, Black - Left	1	1
6		1025716	Screw, Phillips Pan Head (#10-32 x 11/16")	1	1
7		47565X057	Bushing (7/32 x 3/8 x 11/32")	1	1
8		1026114	Screw, Phillips Pan Head (#10-32 x 1/2")	1	1
9		1028707	Spring, Release - Right	1	1
9		1028708	Spring, Release - Left	1	1
10		1028846-NLA	NLA - Rivnut (#10-32)	1	1
11		1025735	Locknut (#10-32)	1	1
12	B	1020534	Insert, Threaded	1	1
13		1070759	Screw, Hex Head (1/4-20 x 1-1/2")	1	1
14		1026099	Spacer, Coved (1/4 x 11/16 x 1/2")	1	2
15		1044214	Nut, Hex with Nylon Cap (1/4-20)	1	1
16		1074143	Kit, Slide Tube Mounting Hardware	1	1
	A	1108630-NLA	NLA - Footrest Support Assembly, Adult, Black - Right	1	1
	A	1108631-NLA	NLA - Footrest Support Assembly, Adult, Black - Left	1	1

NOTE: A - Not Shown
B - As of 8/15/03, the Threaded Insert was revised from 3 to 5 Holes. Threaded Insert is Backward Compatible and does not require ordering in Pairs.

PW93ST Footrest Supports

Black

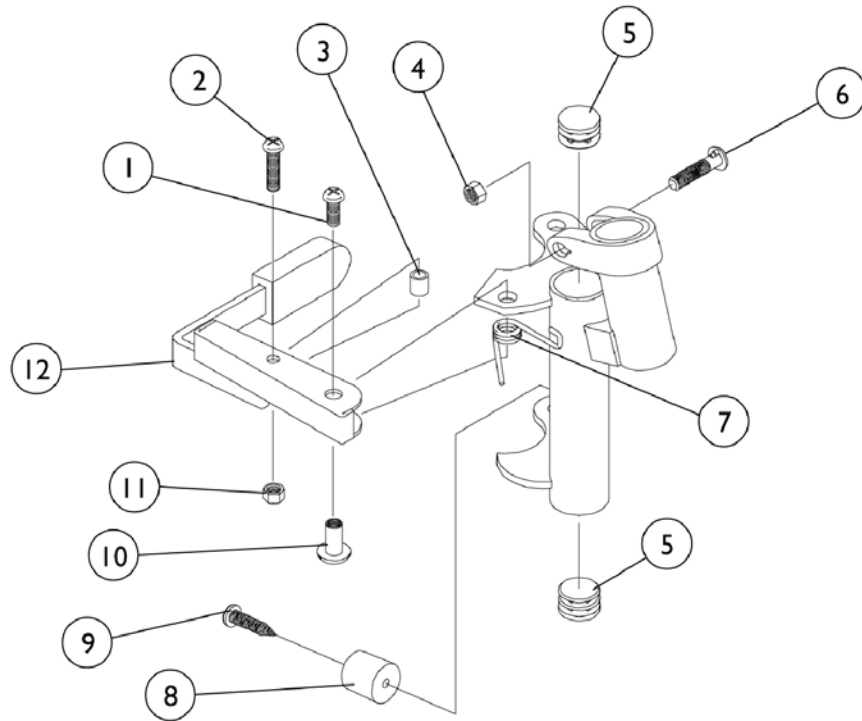


PW93ST Footrest Supports Black

Item Number	Note	Part Number	Description	Quantity Per	
				Package	Assembly
1		1025716	Screw, Phillips Pan Head (#10-32 x 11/16")	1	1
2		1026114	Screw, Phillips Pan Head (#10-32 x 1/2")	1	1
3		1035539	Handle, Release, Black - Right	1	1
3		1035540	Handle, Release, Black - Left	1	1
4		1025735	Locknut (#10-32)	1	1
5		1028846-NLA	NLA - Rivnut (#10-32)	1	1
6		1030434-NLA	NLA - Cushion, Tubular Foam	1	1
7		1030435-NLA	NLA - Cover, Foam Cushion	1	1
8		1028707	Spring, Release - Right	1	1
8		1028708	Spring, Release - Left	1	1
9		47565X057	Bushing (7/32 x 3/8 x 11/32")	1	1
10		15680X012	Collar, Anti-Rattle (7/8")	1	1
11		1070759	Screw, Hex Head (1/4-20 x 1-1/2")	1	1
12		1026099	Spacer, Coved (1/4 x 11/16 x 1/2")	1	2
13		1044214	Nut, Hex with Nylon Cap (1/4-20)	1	1
14	B	1020534	Insert, Threaded	1	1
15		1074143	Kit, Slide Tube Mounting Hardware	1	1
	A	1108634-NLA	NLA - Footrest Support Assembly, Adult, Black - Right	1	1
	A	1108635-NLA	NLA - Footrest Support Assembly, Adult, Black - Left	1	1

NOTE: A - Not Shown
B - As of 8/15/03, the Threaded Insert was revised from 3 to 5 Holes. Threaded Insert is Backward Compatible and does not require ordering in Pairs.

P93M Footrest Supports Black



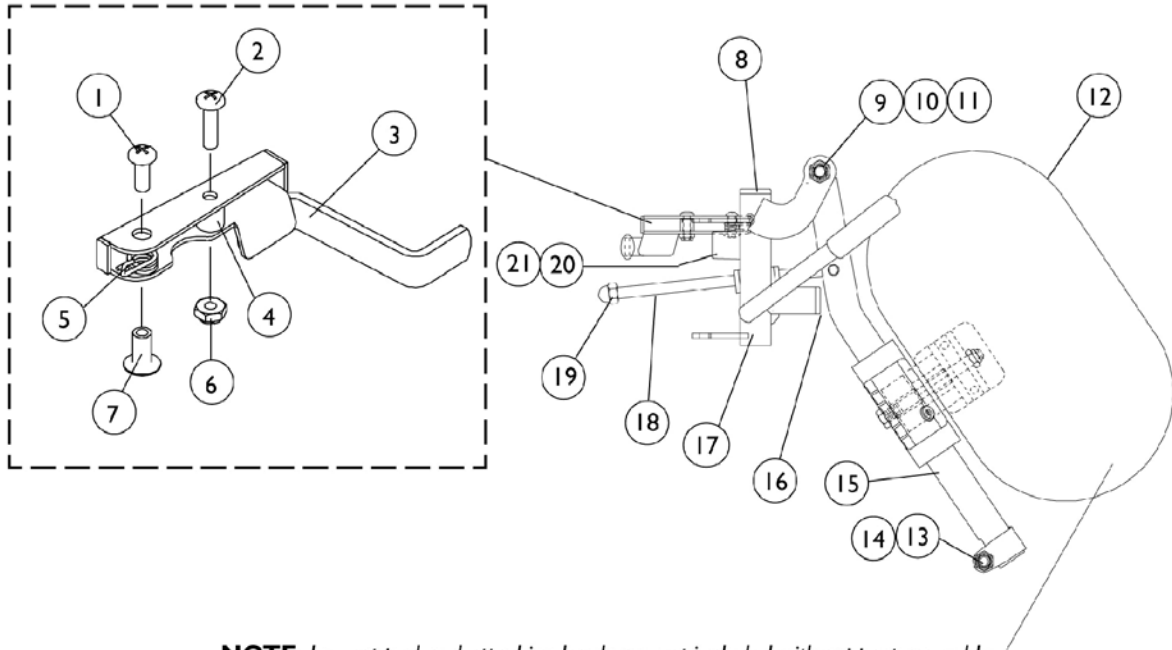
Item Number	Note	Part Number	Description	Quantity Per	
				Package	Assembly
1		7930359-NLA	NLA - Package, Screw, Phillips Pan Head (#10-32 x 1/2")	25	1
2		7930360-NLA	NLA - Package, Screw, Phillips Pan Head (#10-32 x 11/16")	25	1
3		47565X057	Bushing (7/32 x 3/8 x 11/32")	1	1
4		1107321	Nut, Low Cap (5/16"-24)	1	1
5		1027095	Plug Button, Black (7/8")	1	2
6		11232X009	Bolt, Lug (5/16-24 x 1-3/8")	1	1
7		1008935	Spring, Release - Right	1	1
7		1008936	Spring, Release - Left	1	1
8		1022874	Bumper	1	1
9		1030979	Screw, Phillips Pan Head Tap (#10-32 x 3/4")	1	1
10		67005X000	Rivnut (#10-32)	1	1
11		7930365-NLA	NLA - Locknut (#10-32)	25	1
12		1035539	Handle, Release, Black - Right	1	1
12		1035540	Handle, Release, Black - Left	1	1
	A	1037695-NLA	NLA - Footrest Support Assembly, Adult, Black - Right	1	1
	A	1037696-NLA	NLA - Footrest Support Assembly, Adult, Black - Left	1	1

NOTE: A - Not Shown

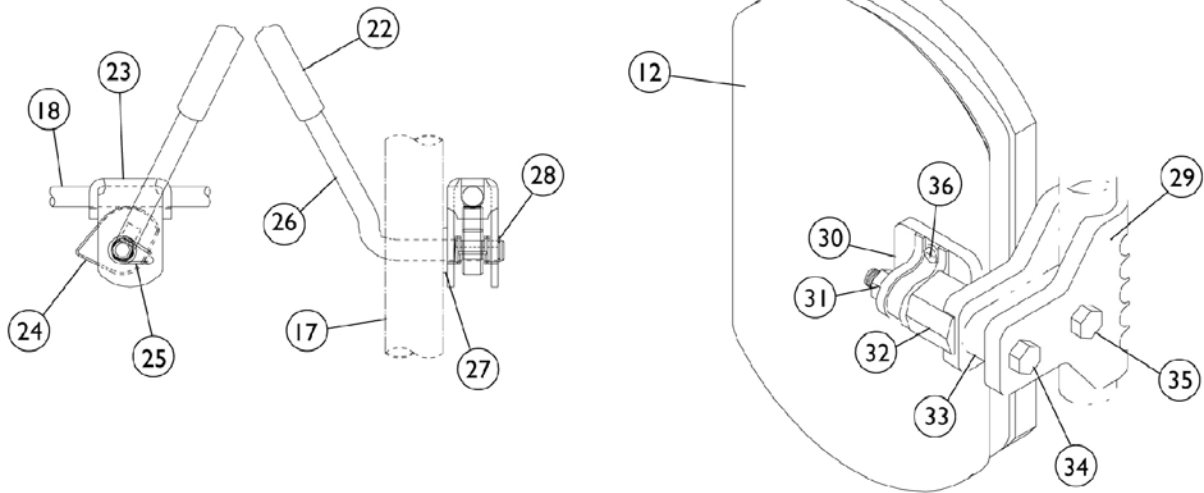
P904A Legrest Supports

Black 14-20" Wide

Due to a change to the Legrest Calf Pad size made on 4/23/12, you must also order the hardware kit (1066591) when ordering replacement Calf Pads.



NOTE: Legrest pad and attaching hardware not included with support assembly.



P904A Legrest Supports

Black 14-20" Wide

Due to a change to the Legrest Calf Pad size made on 4/23/12, you must also order the hardware kit (1066591) when ordering replacement Calf Pads.

Item Number	Note	Part Number	Description	Quantity Per	
				Package	Assembly
1		7930328-NLA	NLA - Package, Screw, Phillips Pan Head (#10-32 x 11/16")	25	2
2		7930335-NLA	NLA - Package, Screw, Phillips Pan Head (#10-32 x 1/2")	25	1
3		1035539	Handle, Release, Black - Right	1	1
3		1035540	Handle, Release, Black - Left	1	1
4		47565X057	Bushing (7/32 x 3/8 x 11/32")	1	1
5		1028707	Spring, Release - Right	1	1
5		1028708	Spring, Release - Left	1	1
6		7930332-NLA	NLA - Locknut, High Profile (#10-32)	25	1
7		1028846-NLA	NLA - Rivnut (#10-32)	1	1
8		1027095	Plug Button, Black (7/8")	1	1
9		11919X000-NLA	NLA - Screw, Slotted Truss Head (3/8-16 x 1-1/2")	1	1
10		1058636-NLA	NLA - Washer, Nylon (25/64 x 7/8 x 1/32")	1	2
11		40363X000	Hex Nut (3/8"-16)	1	1
12	A,B,G	8881091764	Pad, Legrest, Vinyl - Right/Left	1	1
12	A,C,G	88804529X003	Pad, Legrest, Vinyl - Right	1	1
12	A,C,G	88804529X004	Pad, Legrest, Vinyl - Left	1	1
13		7930330-NLA	NLA - Locknut (5/16-24)	25	3
14		1026030	Bolt, Lug (5/16-24 x 1-3/8")	1	1
15		1043556-NLA	NLA - Tube, Elevating Adjustable Support, Black - Right	1	1
15		1043557-NLA	NLA - Tube, Elevating Adjustable Support, Black - Left	1	1
16		1027097	Plug Button, Black (3/4")	1	1
17	E	1108642-NLA	NLA - Legrest Support Tube Assembly, Adult, Black - Right	1	1
17	E	1108643-NLA	NLA - Legrest Support Tube Assembly, Adult, Black - Left	1	1
18		42326X004	Bar, Ratchet - Right/Left	1	1
19		7930336-NLA	NLA - Nut, Acorn (5/16-24)	25	1
20		1022874	Bumper	1	1
21		1030979	Screw, Phillips Pan Head Tap (#10-32 x 3/4")	1	1
22		1040060	Tip, Plastic, Black	1	1
23		04528X002	Bracket, Release, Black	1	1
24		1037125	Cam, Legrest	1	1
25		1037485	Spring, Release	1	1
26		1037126	Handle, Release	1	1
27		7930310-NLA	NLA - Washer, Nylon (5/16 x 11/16 x 1/16")	25	1
28		1040831	Ring, Snap	1	1
29		1032266	Bracket, Legrest Pad Mounting, Black	1	1
30		04526X019	Plate, Legrest Pad	1	1

P904A Legrest Supports Black 14-20" Wide

Due to a change to the Legrest Calf Pad size made on 4/23/12, you must also order the hardware kit (1066591) when ordering replacement Calf Pads.

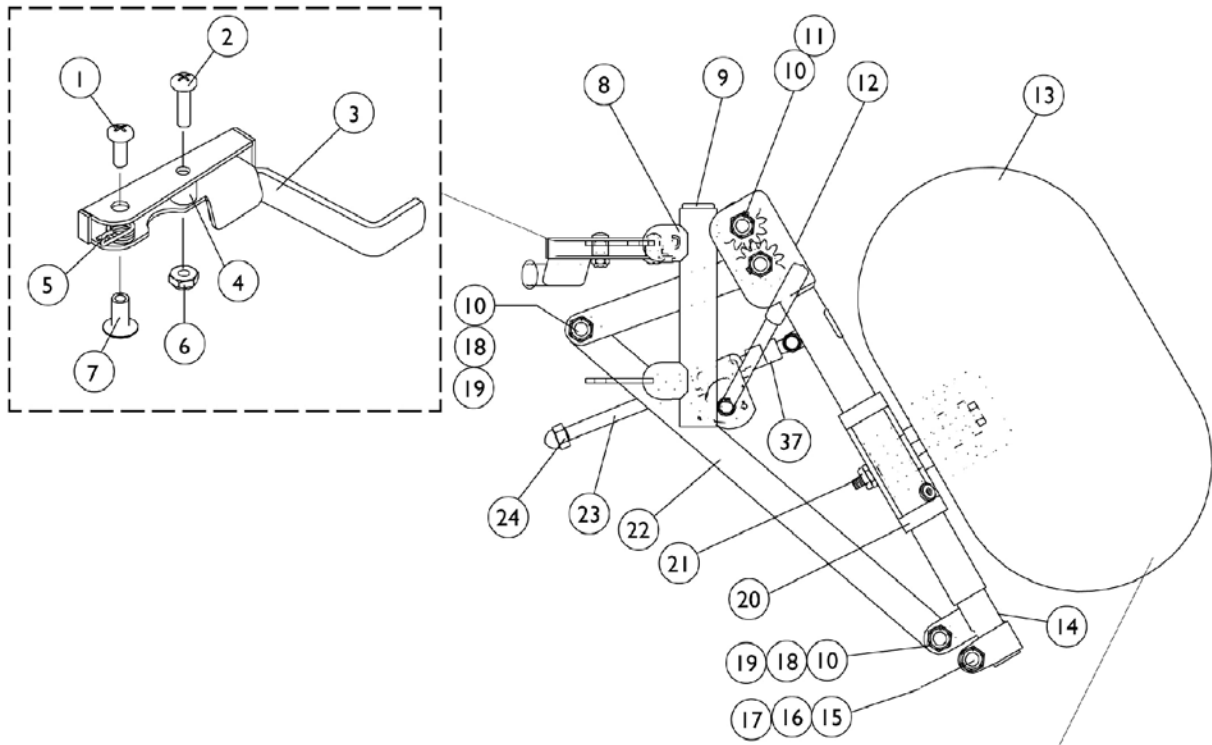
Item Number	Note	Part Number	Description	Quantity Per	
				Package	Assembly
31		7930330-NLA	NLA - Locknut (5/16-24)	25	1
32		1025133	Spacer, Legrest Pad, Black	1	1
33		1032267	Spacer, Legrest Pad Mounting, Black	1	1
34		1037110	Screw, Hex Head (5/16-24 x 3-1/2")	1	1
35		1028514	Screw, Hex Head (5/16-24 x 1-1/2")	1	1
36	F	1066591	Hardware, Legrest Pad	1	1
			Screw, Phillips Pan Head (#10-32 x 11/16")	1	2
			Screw, Phillips Pan Head (#10-32 x 1")	1	2
			Instruction Sheet, Legrest Pad Mtg.	1	1
	D	1108644-NLA	NLA - Legrest Support Assembly, Adult, Black - Right	1	1
	D	1108645-NLA	NLA - Legrest Support Assembly, Adult, Black - Left	1	1

NOTE: A - Specify upholstery color U67 Black when ordering.
 B - 16-20" Chairs
 C - 14" Chairs
 D - Not Shown
 E - No longer available as individual service parts, use 1108644 or 1108645 as their replacements.
 F - Includes Screws and Instruction Sheet.
 G - Due to a change to the Legrest Calf Pad size made on 4/23/12, you must also order the hardware kit (1066591) when ordering replacement Calf Pads.

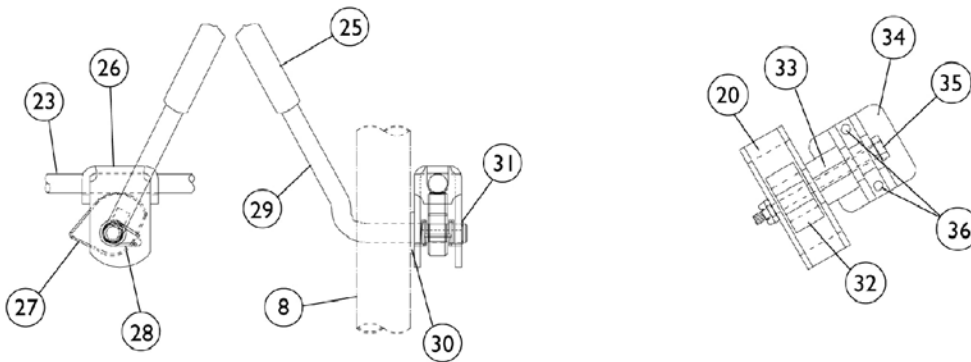
PAS4A/PAL4A Articulating Legrest

Chrome 14-20" Wide

Due to a change to the Legrest Calf Pad size made on 4/23/12, you must also order the hardware kit (1066591) when ordering replacement Calf Pads.



NOTE: Legrest pad and attaching hardware not included with support assembly.



PAS4A/PAL4A Articulating Legrest

Chrome 14-20" Wide

Due to a change to the Legrest Calf Pad size made on 4/23/12, you must also order the hardware kit (1066591) when ordering replacement Calf Pads.

Item Number	Note	Part Number	Description	Quantity Per	
				Package	Assembly
1		7930328-NLA	NLA - Package, Screw, Phillips Pan Head (#10-32 x 11/16")	25	1
2		7930335-NLA	NLA - Package, Screw, Phillips Pan Head (#10-32 x 1/2")	25	1
3		1035539	Handle, Release, Black - Right	1	1
3		1035540	Handle, Release, Black - Left	1	1
4		47565X057	Bushing (7/32 x 3/8 x 11/32")	1	1
5		1028707	Spring, Release - Right	1	1
5		1028708	Spring, Release - Left	1	1
6		7930332-NLA	NLA - Locknut, High Profile (#10-32)	25	1
7		1028846-NLA	NLA - Rivnut (#10-32)	1	1
8		1058478-NLA	NLA - Tube, Legrest Support - Right	1	1
8		1058479-NLA	NLA - Tube, Legrest Support - Left	1	1
9		1027097	Plug Button, Black (3/4")	1	1
10		40363X000	Hex Nut (3/8"-16)	1	1
11		1022854-NLA	NLA - Screw, Shoulder Slotted Head (1/2 x 1-1/8", 3/8-16)	1	1
12		1022877-NLA	NLA - Tube, Support and Drive Link, Chrome - Right	1	1
12		1022878-NLA	NLA - Tube, Support and Drive Link, Chrome - Left	1	1
13	B,A	8881091764	Pad, Legrest, Vinyl - Right/Left	1	1
13		1041806	Pad, Legrest, Two Piece Plastic	1	1
13	C,A,F	88804529X003	Pad, Legrest, Vinyl - Right	1	1
13	C,A,F	88804529X004	Pad, Legrest, Vinyl - Left	1	1
14		1022848	Tube, Slide, Articulating, Chrome - Right	1	1
14		1022849	Tube, Slide, Articulating, Chrome - Left	1	1
15		1027377	Washer (#20)	25	1
16		7930363-NLA	NLA - Package, Locknut (5/16"-24)	1	1
17		11232X009	Bolt, Lug (5/16-24 x 1-3/8")	1	1
18		1022866-NLA	NLA - Screw, Socket Button Head (3/8-16 x 3/4")	1	2
19		1049527	Washer, Nylon (3/8 x 3/4 x 1/16")	1	2
20		1025104	Bracket, Legrest, Chrome	1	1
21		7930363-NLA	NLA - Package, Locknut (5/16"-24)	25	2
22		1022846-NLA	NLA - Bar, Link, Black	1	1
23		1023811-NLA	NLA - Bar, Ratchet - Right	1	1
23		1023812-NLA	NLA - Bar, Ratchet - Left	1	1
24		7930336-NLA	NLA - Nut, Acorn (5/16-24)	25	1
25		1040060	Tip, Plastic, Black	1	1
26		04528X002	Bracket, Release, Black	1	1
27		1037125	Cam, Legrest	1	1
28		1037485	Spring, Release	1	1
29		1037126	Handle, Release	1	1
30		7930310-NLA	NLA - Washer, Nylon (5/16 x 11/16 x 1/16")	25	1

PAS4A/PAL4A Articulating Legrest Chrome 14-20" Wide

Due to a change to the Legrest Calf Pad size made on 4/23/12, you must also order the hardware kit (1066591) when ordering replacement Calf Pads.

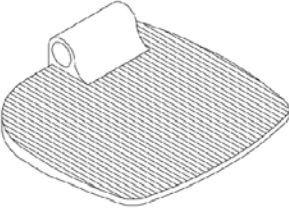
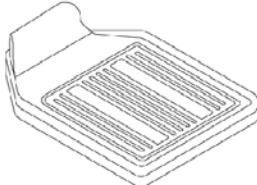
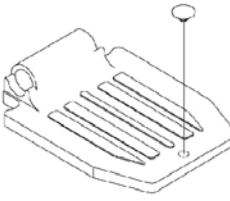
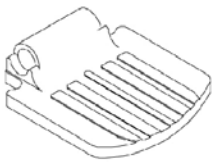
Item Number	Note	Part Number	Description	Quantity Per	
				Package	Assembly
31		1040831	Ring, Snap	1	1
32		48823X008	Spring, Leaf	1	1
33		1025133	Spacer, Legrest Pad, Black	1	1
34		04526X019	Plate, Legrest Pad	1	1
35		1014807	Screw, Hex Head (5/16-24 x 3-1/4")	1	1
36	E	1066591	Hardware, Legrest Pad	1	1
			Screw, Phillips Pan Head (#10-32 x 11/16")	1	2
			Screw, Phillips Pan Head (#10-32 x 1")	1	2
			Instruction Sheet, Legrest Pad Mtg.	1	1
37		47328X003	Bushing, Pivot (5/16 x 7/16 x 7/8")	1	2
	D	1058482-NLA	NLA - Legrest Support Assembly, Articulating, Adult, Chrome - Right	1	1
	D	1058483-NLA	NLA - Legrest Support Assembly, Articulating, Adult, Chrome - Left	1	1
<p>NOTE: A - Specify upholstery color U67 Black when ordering. B - 16-20" Wide Chairs C - 14" Wide Chairs D - Not Shown E - Includes Screws and Instruction Sheet. F - Due to a change to the Legrest Calf Pad size made on 4/23/12, you must also order the hardware kit (1066591) when ordering replacement Calf Pads.</p>					

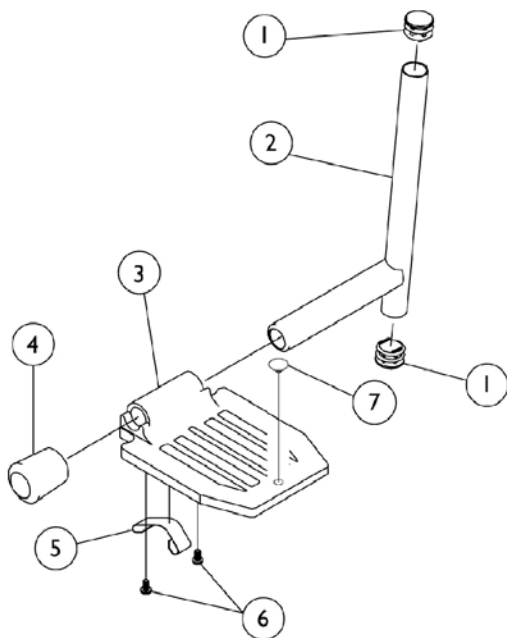
Pivot & Slide Tube w/ Footplate

P93M, PW93, and PW93E

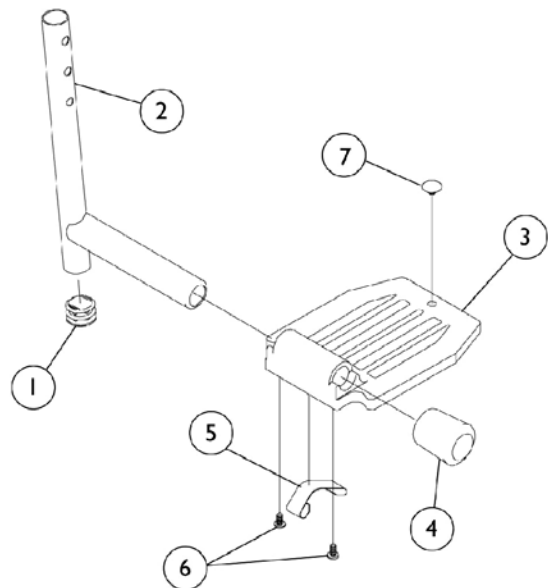
Note: Heel Loops are not included. See footrest and legrest accessories.

Note: For complete pivot/slide tube and footplate assemblies, see front riggings reference charts.

			
1350 Extra large	1450 Deluxe	16 to 20" Wide 1650 Standard Alum.	14" Wide 1650 Standard Alum.



P93M



PW93 and PW93E

Pivot & Slide Tube w/ Footplate

P93M, PW93, and PW93E

Note: Heel Loops are not included. See footrest and legrest accessories.

Note: For complete pivot/slide tube and footplate assemblies, see front riggings reference charts.

Item Number	Note	Part Number	Description	Quantity Per	
				Package	Assembly
1		1027097	Plug Button, Black (3/4")	1	2
2	A	1041527	Pivot/Slide Tube w/ Plug Button, Black	1	1
2	B	1048834	Pivot/Slide Tube w/ Plug Button, Black	1	1
2	C	1041525-NLA	NLA - Pivot/Slide Tube w/ Plug Button, Deluxe Aluminum, Black	1	1
2	D	1070762-NLA	NLA - Tube, Pivot/Slide w/ Plug Button, Deluxe Aluminum, Black	1	1
3	E	44200X059	Footplate, Aluminum, Small, Black (6-3/4" W x 6" L)	1	1
3	F	44200X027	Footplate, Aluminum, Medium, Black (7-3/4" W x 6" L)	1	1
3	F	1043659-NLA	NLA - Footplate, Aluminum, Deluxe, Black - Right (8" W x 5-3/4" L)	1	1
3	F	1043660-NLA	NLA - Footplate, Aluminum, Deluxe, Black - Left (8" W x 5-3/4" L)	1	1
3	E	1002343	Footplate, Aluminum, Extra Large, Black - Right (7" W x 8-1/2" L)	1	1
3	E	1002344	Footplate, Aluminum, Extra Large, Black - Left (7" W x 8-1/2" L)	1	1
3	F	44200X025	Footplate, Aluminum, Extra Large, Black - Right (8" W x 8-1/2" L)	1	1
3	F	44200X026	Footplate, Aluminum, Extra Large, Black - Left (8" W x 8-1/2" L)	1	1
4	G	1016346	Cap, End, Tube, Black (7/8")	1	1
4	H	1027095	Plug Button, Black (7/8")	1	1
5	G	1006981	Spring, Tension	1	2
5		1036120-NLA	NLA - Spring	1	2
5	H,I	1036123	Spring, Leaf	1	1
6		7930354-NLA	NLA - Package, Phillips Head Screw (#8-32 x 3/8")	25	2
7		1070168	Plug, Push, Footplate	1	1

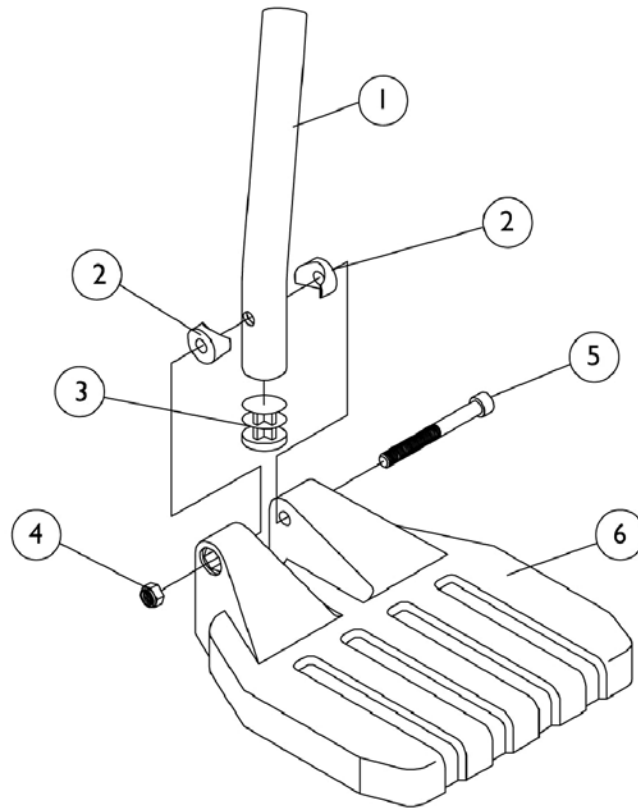
NOTE: A - Standard Aluminum (1650) and Extra Large Aluminum (1350) footplates for P93M
 B - Standard Aluminum (1650) and Extra Large Aluminum (1350) footplates for PW93 and PW93E
 C - Deluxe Aluminum (1450) footplate for P93M
 D - Deluxe Aluminum (1450) footplate for PW93 and PW93E
 E - 14" Wide
 F - 16-20" Wide
 G - Standard Aluminum Footplate
 H - Extra Large Aluminum Footplate
 I - Use one or more leaf springs per assembly as required such that footplate may be moved by hand to the up-right position and remain in place.

Pivot & Slide Tube w/ Footplate

For the Following Footrest: PW93ST

Note: Heel loops are not included. See footrest and legrest accessories.

Note: For complete pivot/slide tube and footplate assemblies, see front riggings reference charts.



Pivot & Slide Tube w/ Footplate

For the Following Footrest: PW93ST

Note: Heel loops are not included. See footrest and legrest accessories.

Note: For complete pivot/slide tube and footplate assemblies, see front riggings reference charts.

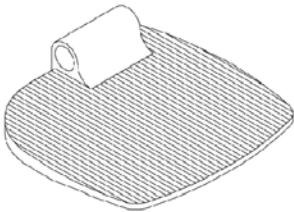
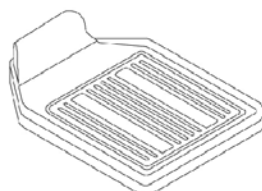
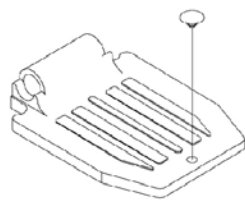
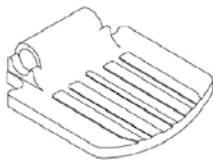
Item Number	Note	Part Number	Description	Quantity Per	
				Package	Assembly
1		1057852	Tube, Pivot/Slide, Curved End, Steel, Black (9-7/8")	1	1
2		1025457	Spacer, Coved (1/4 x 3/4 x 11/32")	1	2
3		1027097	Plug Button, Black (3/4")	1	1
4		7930323-NLA	NLA - Package, Locknut (1/4-20)	25	1
5		7930366	Package, Socket Head Screw (1/4-20 x 2-1/4")	25	1
6	A	1026879	Footplate, Composite, Small, Black (6" W x 6" L)	1	1
6	B	1026880	Footplate, Composite, Medium, Black (7" W x 6" L)	1	1
6	C	1026881	Footplate, Composite, Large, Black (8" W x 6" L)	1	1
NOTE: A - 16" Wide B - 18" Wide C - 20" Wide					

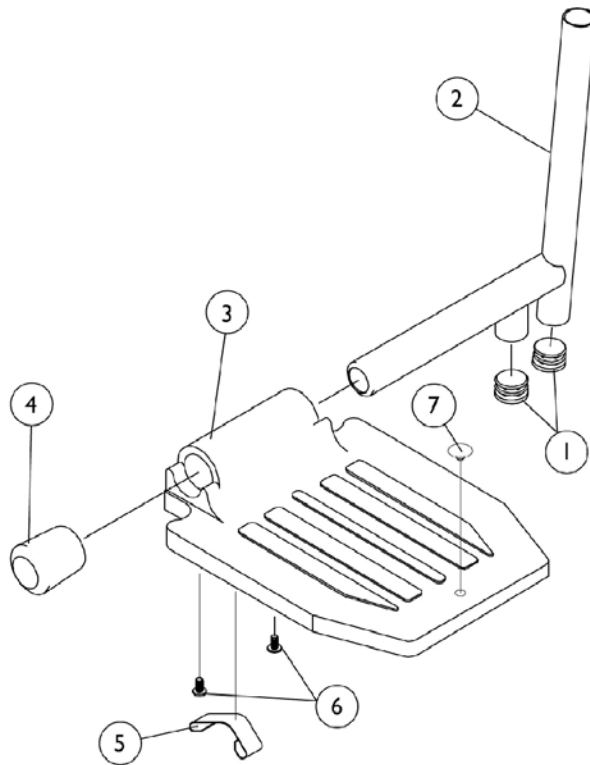
Pivot & Slide Tube w/ Footplate

For the Following Legrests:
P904, PAL4A, and PAS4A

Note: Heel Loops are not included. See footrest and legrest accessories.

Note: For complete pivot/slide tube and footplate assemblies, see front riggings reference charts.

			
1350 Extra large	1450 Deluxe	16 to 20" Wide 1650 Standard Alum.	14" Wide 1650 Standard Alum.



Pivot & Slide Tube w/ Footplate

**For the Following Legrests:
P904, PAL4A, and PAS4A**

Note: Heel Loops are not included. See footrest and legrest accessories.

Note: For complete pivot/slide tube and footplate assemblies, see front riggings reference charts.

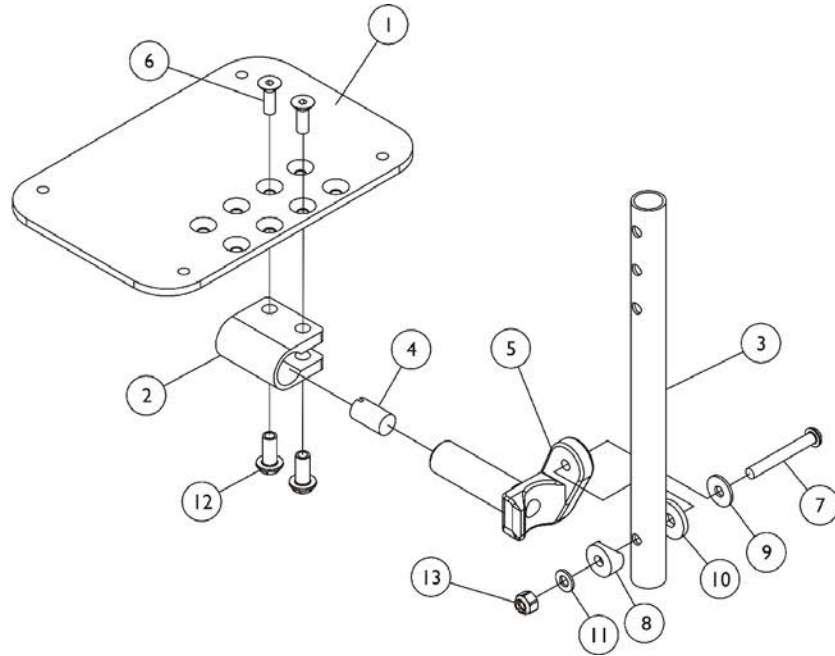
Item Number	Note	Part Number	Description	Quantity Per	
				Package	Assembly
1		1027097	Plug Button, Black (3/4")	1	2
2	A	1041527	Pivot/Slide Tube w/ Plug Button, Black	1	1
2	B	1048834	Pivot/Slide Tube w/ Plug Button, Black	1	1
2	C	1041525-NLA	NLA - Pivot/Slide Tube w/ Plug Button, Deluxe Aluminum, Black	1	1
2	D	1070762-NLA	NLA - Tube, Pivot/Slide w/ Plug Button, Deluxe Aluminum, Black	1	1
3	E	44200X059	Footplate, Aluminum, Small, Black (6-3/4" W x 6" L)	1	1
3	F	44200X027	Footplate, Aluminum, Medium, Black (7-3/4" W x 6" L)	1	1
3	F	1043659-NLA	NLA - Footplate, Aluminum, Deluxe, Black - Right (8" W x 5-3/4" L)	1	1
3	F	1043660-NLA	NLA - Footplate, Aluminum, Deluxe, Black - Left (8" W x 5-3/4" L)	1	1
3	E	1002343	Footplate, Aluminum, Extra Large, Black - Right (7" W x 8-1/2" L)	1	1
3	E	1002344	Footplate, Aluminum, Extra Large, Black - Left (7" W x 8-1/2" L)	1	1
3	F	44200X025	Footplate, Aluminum, Extra Large, Black - Right (8" W x 8-1/2" L)	1	1
3	F	44200X026	Footplate, Aluminum, Extra Large, Black - Left (8" W x 8-1/2" L)	1	1
4	G	1016346	Cap, End, Tube, Black (7/8")	1	1
4	H	1027095	Plug Button, Black (7/8")	1	1
5	G	1006981	Spring, Tension	1	2
5		1036120-NLA	NLA - Spring	1	2
5	H,I	1036123	Spring, Leaf	1	1
6		7930354-NLA	NLA - Package, Phillips Head Screw (#8-32 x 3/8")	25	2
7		1070168	Plug, Push, Footplate	1	1

NOTE: A - Standard Aluminum (1650) and Extra Large Aluminum (1350) footplates for P93M
 B - Standard Aluminum (1650) and Extra Large Aluminum (1350) footplates for PW93 and PW93E
 C - Deluxe Aluminum (1450) footplate for P93M
 D - Deluxe Aluminum (1450) footplate for PW93 and PW93E
 E - 14" Wide
 F - 16-20" Wide
 G - Standard Aluminum Footplate
 H - Extra Large Aluminum Footplate
 I - Use one or more leaf springs per assembly as required such that footplate may be moved by hand to the up-right position and remain in place.

AT5543 Adjustable Angle Footplate Assemblies

For the Following Footrests: PW93, PW93E

Note: Heel Loops are not included. See footrest and legrest accessories.
Note: For complete pivot/slide tube and footplate assemblies, see front riggings reference charts.



AT5543 Adjustable Angle Footplate Assemblies

For the Following Footrests: PW93, PW93E

Note: Heel Loops are not included. See footrest and legrest accessories.

Note: For complete pivot/slide tube and footplate assemblies, see front riggings reference charts.

Item Number	Note	Part Number	Description	Quantity Per	
				Package	Assembly
1	A,C	1113573	Footplate, Adjustable Angle, Large, Black (5-1/4" W x 8" L)	1	1
1	B,C	1113574	Footplate, Adjustable Angle, Extra Large, Black (6-1/4" W x 8" L)	1	1
2		1058517	Clamp, Footplate	1	1
3		1057855	Tube, Pivot and Slide, Straight, Steel, Black (9-7/8" L)	1	1
4		1048816	Screw, Nylon Adjustment (1/2-13 x 7/8")	1	1
5		1052102	Hinge, Footplate - Right	1	1
5		1052103	Hinge, Footplate - Left	1	1
6		1029545	Screw, Socket Flat Head (1/4-20 x 3/4")	1	2
7		7930321-NLA	NLA Package, Screw, Socket Button Head (1/4-20 x 1-7/8")	25	1
8		1025457	Spacer, Coved (1/4 x 3/4 x 11/32")	1	1
9		1026900	Washer (1/4 x 23/32 x 1/16")	1	1
10		7930313	Package, Washer, Nylon (5/16 x 7/8 x 1/8")	25	1
11		1026907	Washer (1/4 x 1/2 x 1/16")	1	1
12		1082686	Nut, Barrel, Hex Head (1/4-20 x 11/16")	1	2
13		7930333	Locknut (1/4-20)	25	1

NOTE: A - 14" Wide
 B - 16-20" Wide
 C - This footplate was revised 9/2/2008 with rounder corners and accessory holes changed from 8 to 4. Recommended to replace footplate in pairs to match sides.

Footrest & Legrest Accessories

Item Number	Note	Part Number	Description	Quantity Per	
				Package	Assembly
	A	1035902	Strap, Calf w/ Hook and Loop (31" L)	1	1
	B,C	1032003	Strap, "H" Heel	1	1
	B,D	1032002	Strap, "H" Heel	1	1
	E,F	1026987	Guard, Impact (8" L)	1	2
	E	See Chart	1350 X-Large Aluminum Footplate	1	1
	E	See Chart	1450 Deluxe Aluminum Footplate	1	1
	E	See Chart	1650 Standard Aluminum Footplate	1	1
	E	See Chart	Attaching Hardware Part Numbers	1	1
	E	See Chart	Composite 1651 Footplate	1	1
	E	See Chart	Heel Loops and Heel Loops with Ankle Straps (AT5543)	1	1

NOTE: A - 1337
 B - 9342
 C - 14" Wide
 D - 16-20" Wide
 E - Not Shown
 F - For 70 deg. Tapered Footrest.

1651 Composite Footplate

Footplate Type	Heel Loop Single #	Heel Loop Pair #	Heel Loop w/Ankle Strap Single # - Right	Heel Loop w/Ankle Strap Single # - Left	Heel Loop w/Ankle Strap Pair #	Attaching Hardware Pair #
16"W Tapered	1028412-NLA	1035912-NLA	1035908-NLA	1035909-NLA	1035906	1035931
18"W Tapered	1017621	1035917-NLA	1035919	1035920	1035918	1035931
20" W Tapered	1017621	1035917-NLA	1035932-NLA	1035933-NLA	1035930	1035931

1650 Standard Aluminum Footplate

Footplate Type	Heel Loop Single #	Heel Loop Pair #	Heel Loop w/Ankle Strap Single # - Right	Heel Loop w/Ankle Strap Single # - Left	Heel Loop w/Ankle Strap Pair #	Attaching Hardware Pair #
14"W	1025234-NLA	1035905	1035908-NLA	1035909-NLA	1035906	1035907
16"-20"W	1017621	1035917-NLA	1035919	1035920	1035918	1035907

1450 Deluxe Aluminum Footplate

Footrest & Legrest Accessories

1450 Deluxe Aluminum Footplate

Footplate Type	Heel Loop Single #	Heel Loop Pair #	Heel Loop w/Ankle Strap Single # - Right	Heel Loop w/Ankle Strap Single # - Left	Heel Loop w/Ankle Strap Pair #	Attaching Hardware Pair #
16"-20"W	1017621	1035917-NLA	1035919	1035920	1035918	1086112-NLA

Footrest & Legrest Accessories

1350 X-Large Aluminum Footplate

Footplate Type	Heel Loop Single #	Heel Loop Pair #	Heel Loop w/Ankle Strap Single # - Right	Heel Loop w/Ankle Strap Single # - Left	Heel Loop w/Ankle Strap Pair #	Attaching Hardware Pair #
14"W	1025234-NLA	1035905	1035908-NLA	1035909-NLA	1035906	1055241
16"-20"W	1017621	1035917-NLA	1035919	1035920	1035918	1055241

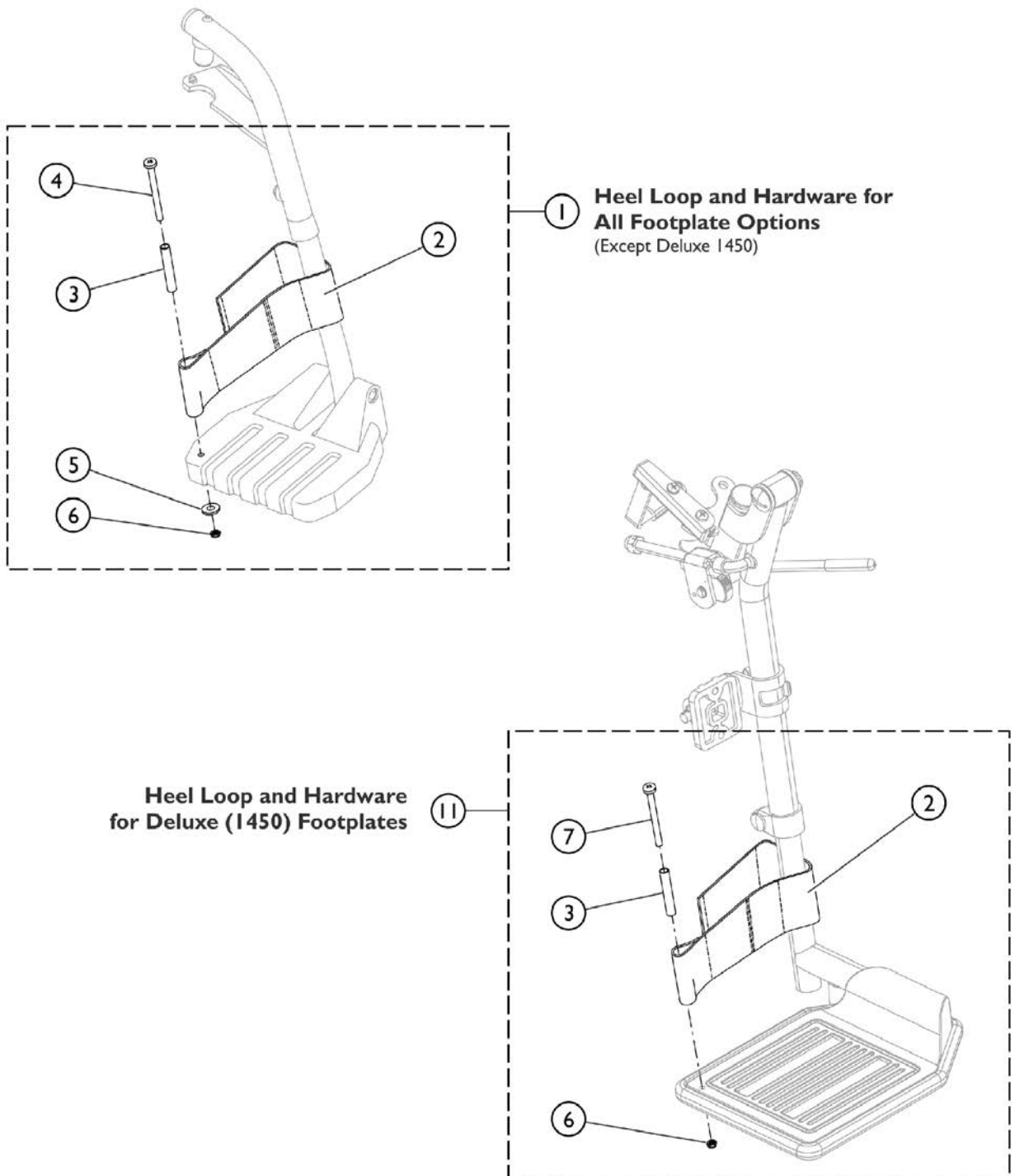
Attaching Hardware Part Numbers

Footplate Type	Part Number	Contents
Composite (1651)	1035931	(2) Screw, Phillips, Pan Head (1/4-20 x 2-1/4") (2) Spacer (1/4 x 11/32 x 1-3/4") (2) Hex Nut w/ Nylon Cap (1/4-20) (2) Flat Washer (1/4 x 5/8 x 1/16")
Standard Aluminum (1650)	1035907	(2) Spacer (1/4 x 11/32 x 1-3/4") (2) Screw (1/4-20 x 2-1/2") (2) Locknut (1/4-20)
Deluxe Aluminum (1450)	1086112-NLA	(2) Spacer (1/4 x 11/32 x 1-3/4") (2) Screw (1/4-20 x 2-1/2") (2) Locknut (1/4-20)
X-Large Aluminum (1350)	1055241	(2) Spacer (1/4 x 11/32 x 1-3/4") (2) Screw (1/4-20 x 2-1/4") (2) Locknut (1/4-20)

Heel Loops and Heel Loops with Ankle Straps (AT5543)

Heel Loops & Hardware AT5543 Adjustable Angle	Heel Loops w/Ankle Strap & Hardware AT5543 Adjustable Angle
1160723	1160724
2 ea.- Heel Loops 4 ea - Screw Skt. Cap (10-32 x 1-1/2") 4 ea - Spacer (1/4 x 5/16 x 1-3/32") 4 ea - Washer (3/16 x 7/16 x 1/16")	2 ea.- Heel Loops 4 ea - Screw Skt. Cap (10-32 x 1-1/2") 4 ea - Spacer (1/4 x 5/16 x 1-3/32") 4 ea - Washer (3/16 x 7/16 x 1/16")

Front Riggings - Adjustable Heel Loops



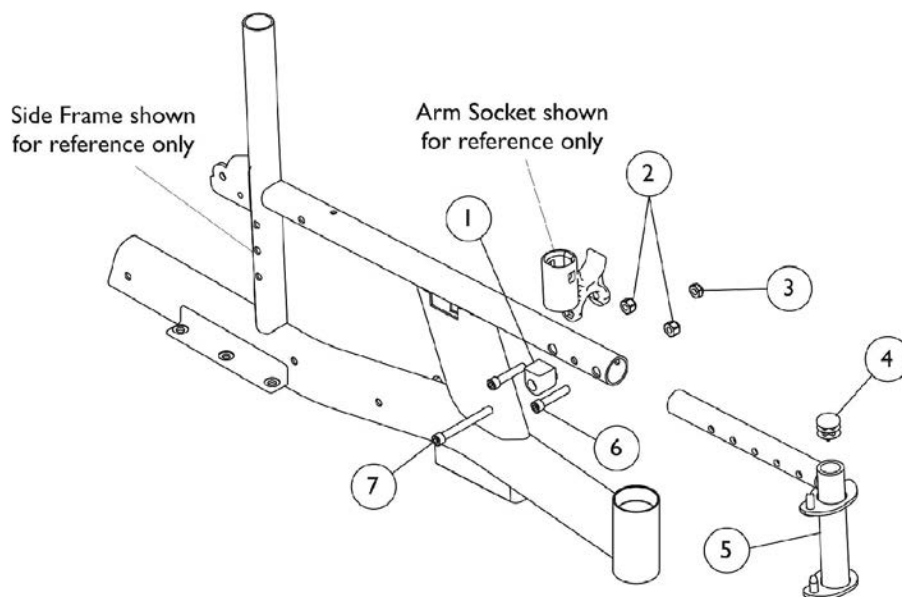
SCM_058A

Front Riggings - Adjustable Heel Loops

Item Number	Note	Part Number	Description	Quantity Per	
				Package	Assembly
1	A	1191117	Kit, Heel Loop, Adjustable w/ Hardware (Pair)	1	1
2			Heel Loop	1	2
3			NLA - Spacer (1/4 x 11/32 x 1-3/4")	1	2
4			NLA - Screw, Phillips Pan Head (1/4-20 x 2-1/4")	1	2
5			Washer, Flat (1/4 x 5/8 x 1/16")	1	2
6			Nut, Hex, Nylon Cap (1/4-20)	1	2
			Instruction Sheet, Adjustable Heel Loop	1	1
11	B	1191116	Kit, Heel Loop, Adjustable w/ Hardware, Deluxe 1450 (Pair)	1	1
2			Heel Loop	1	2
3			NLA - Spacer (1/4 x 11/32 x 1-3/4")	1	2
6			Nut, Hex, Nylon Cap (1/4-20)	1	2
7			NLA - Screw, Phillips Pan Head (1/4-20 x 2-1/2")	1	2
			Instruction Sheet, Adjustable Heel Loop	1	1

NOTE: A - Kit includes items 2 - 6. Used with all Footplates except Deluxe (1450).
 B - Kit includes items 2, 3, 6, and item 7. Used with Deluxe (1450) Footplates only.

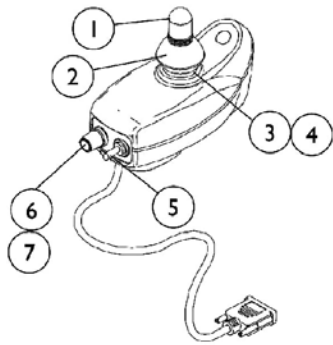
Front Rigging Hanger



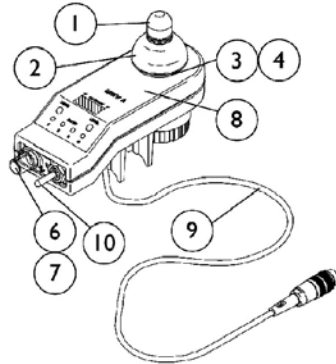
Item Number	Note	Part Number	Description	Quantity Per	
				Package	Assembly
1		1106315-NLA	NLA - Brace, Arm Socket	1	1
2		1025736	Locknut (1/4-20)	1	2
3		1025195	Locknut (1/4-20)	1	1
4		1027097	Plug Button, Black (3/4")	1	1
5		1106313	Hanger, Footrest Support - Right	1	1
5		1106314	Hanger, Footrest Support - Left	1	1
6		1003545	Screw, Socket Head (1/4-20 x 1-1/4")	1	2
7		60285X006	Screw, Socket Head (1/4-20 x 2-1/4")	1	1

MKIV Joysticks and Mounting Hardware

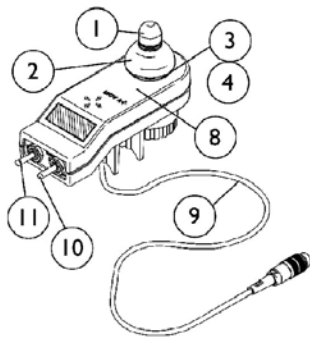
RII, A and A+ Before 2/15/03



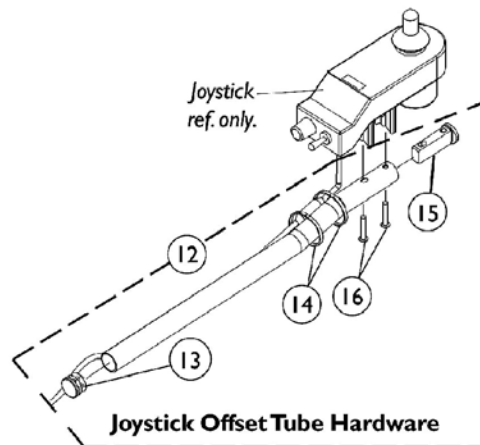
1092610
RII Joystick



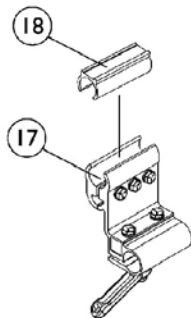
1065944
A Joystick



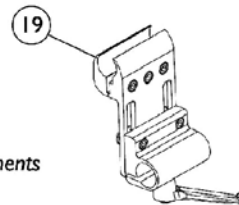
1038608
A+ Joystick



Joystick Offset Tube Hardware



Fixed Height
Joystick Offset Tube
Clamp Assembly



Adjustable Height
Joystick Offset Tube
Clamp Assembly

NOTE: Individual components
are not available.

MKIV Joysticks and Mounting Hardware

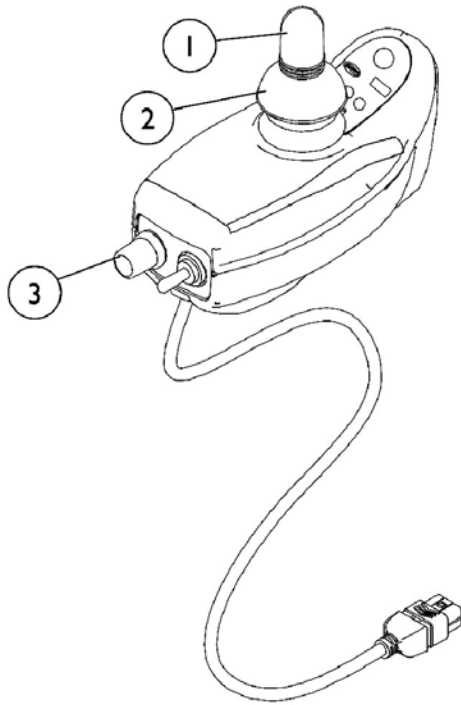
RII, A and A+ Before 2/15/03

Item Number	Note	Part Number	Description	Quantity Per	
				Package	Assembly
1		1040217	Knob, Joystick Rubber, Black	1	1
2		1040218	Skirt, Joystick Rubber, Black	1	1
3	E,F	1036764-NLA	NLA - Inductive, Joystick	1	1
3	G	1104397-NLA	NLA - Inductive, Joystick	1	1
4		50000X364-NLA	NLA - Boot, Joystick	1	1
5	E	1010042-NLA	NLA - Switch, Toggle SPDT	1	1
6	H	1040225-NLA	NLA - Potentiometer, Speed	1	1
6	G	1115518-NLA	NLA - Potentiometer, Speed	1	1
7		1025516-NLA	NLA - Knob, Speed Control	1	1
8		1040190-NLA	NLA - Overlay, Joystick Decal A Joystick	1	1
8		1036776-NLA	NLA - Overlay, Joystick Decal A+ Joystick	1	1
9	E,I	1036750-NLA	NLA - Cable Assembly	1	1
9	G	1104205-NLA	NLA - Cable Assembly	1	1
10	E,I	1040185-NLA	NLA - Switch, On/ Off Momentary	1	1
10	G	1115523-NLA	NLA - Switch, On/ Off Momentary	1	1
11	E	1040186-NLA	NLA - Switch, Program	1	1
12	B,C	1093069	Kit, 1/2" Offset Joystick Tube with Hardware	1	1
13		1027095	Plug Button, Black (7/8")	1	1
14		1095502-NLA	NLA - Package, Tie Wrap (11-1/2" L)	10	2
15		1093063	Spacer, Joystick Tube, Black	1	1
16		7930327-NLA	NLA - Package, Screw, Phillips Pan Head (#10-32 x 1-1/8")	25	2
17	C	1093071	Clamp, Fixed Height Joystick Tube	1	1
18	J	1061983-NLA	NLA - Spacer, Plastic Snap Clamp (3/4" I.D. x 2-1/2")	1	1
19	K	1139422	Clamp, Height Adjustable Joystick Tube (ARM250)	1	1
	A	1006270	Extension, Joystick, "T" Style (1560) (4" W x 5-1/2" L)	1	1
	A	1006271	Extension, Joystick, Straight Style (1561) (1/2" W x 5" L)	1	1
	D	1092610-NLA	NLA - Joystick, RII	1	1
	D	1065944-NLA	NLA - Joystick, "A"	1	1
	D	1038608-NLA	NLA - Joystick, "A+"	1	1

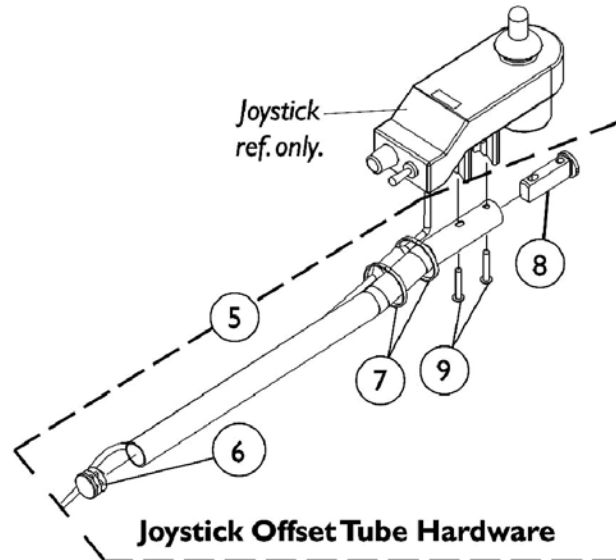
NOTE: A - Not Shown
 B - Includes items 13-16
 C - MKIV RII, A, A+, and PSF/PSR
 D - See pictorial for reference.
 E - Item requires soldering
 F - For RII, A+ and (A joystick before 10/01/02)
 G - For A joystick after 9/30/02 and has a non-solder connector
 H - For RII and (A joystick before 10/01/02)
 I - For A+ and (A joystick before 10/01/02)
 J - Spacer allows the half clamps to grip securely around the 3/4" arm tube
 K - Available as an option (ARM250) and can be used to replace a Fixed Height Joystick Clamp.

MK5 SPJ Joystick and Mounting Hardware

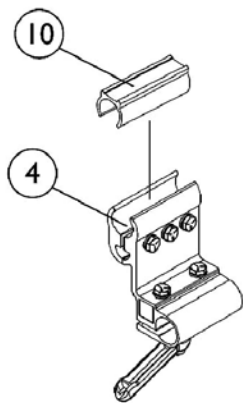
After 2/14/03



**1109532
SPJ Joystick**

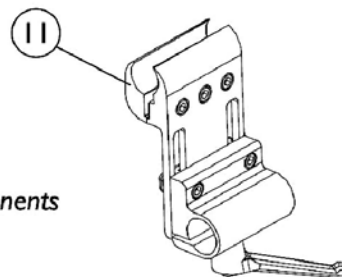


Joystick Offset Tube Hardware



**Fixed Height
Joystick Offset Tube
Clamp Assembly**

NOTE: Individual components
are not available.



**Adjustable Height
Joystick Offset Tube
Clamp Assembly**

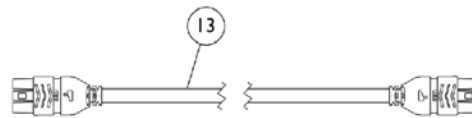
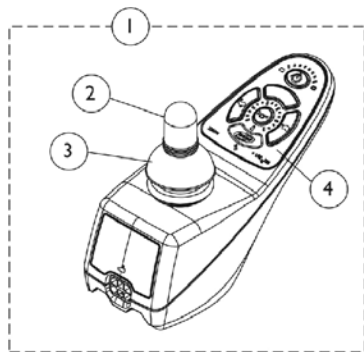
MK5 SPJ Joystick and Mounting Hardware

After 2/14/03

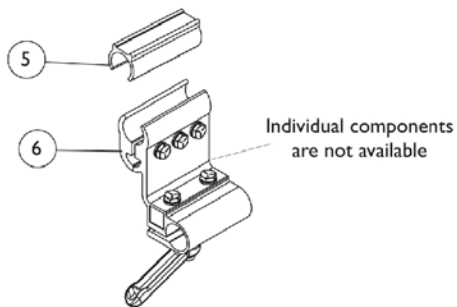
Item Number	Note	Part Number	Description	Quantity Per	
				Package	Assembly
1		1040217	Knob, Joystick Rubber, Black	1	1
2		1040218	Skirt, Joystick Rubber, Black	1	1
3		1025516-NLA	NLA - Knob, Speed Control	1	1
4		1093071	Clamp, Fixed Height Joystick Tube	1	1
5	A	1093069	Kit, 1/2" Offset Joystick Tube with Hardware	1	1
6		1027095	Plug Button, Black (7/8")	1	1
7		1095502-NLA	NLA - Package, Tie Wrap (11-1/2" L)	10	2
8		1093063	Spacer, Joystick Tube, Black	1	1
9		7930327-NLA	NLA - Package, Screw, Phillips Pan Head (#10-32 x 1-1/8")	25	2
	B	1006270	Extension, Joystick, "T" Style (1560) (4" W x 5-1/2" L)	1	1
	B	1006271	Extension, Joystick, Straight Style (1561) (1/2" W x 5" L)	1	1
	C,D	1109532-NLA	NLA - Joystick, MK5 SPJ	1	1
10	E	1061983-NLA	NLA - Spacer, Plastic Snap Clamp (3/4" I.D. x 2-1/2")	1	1
11	F	1139422	Clamp, Height Adjustable Joystick Tube (ARM250)	1	1
<p>NOTE: A - Includes items 6-9 B - Not Shown C - See pictorial for reference. D - Items 1-3 are the only serviceable components for the MK5 SPJ joystick E - Spacer allows the half clamps to grip securely around the 3/4" arm tube F - Introduced as an option (ARM250) and can be used to replace a Fixed Height Joystick Clamp.</p>					

MK5 SPJ+ Joystick and Mounting Hardware

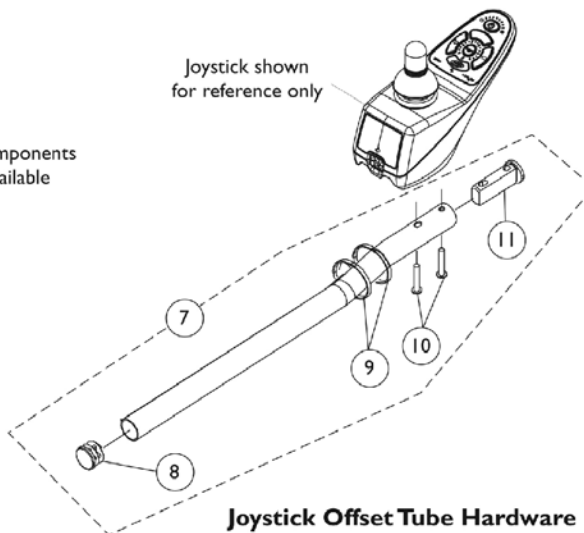
Introduced 8/16/05



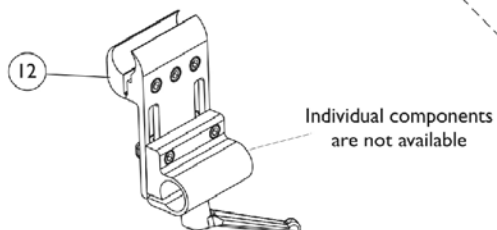
Joystick Cable



**Fixed Height
Joystick Offset Tube
Clamp Assembly**



Joystick Offset Tube Hardware



**Adjustable Height
Joystick Offset Tube
Clamp Assembly**

MK5 SPJ+ Joystick and Mounting Hardware Introduced 8/16/05

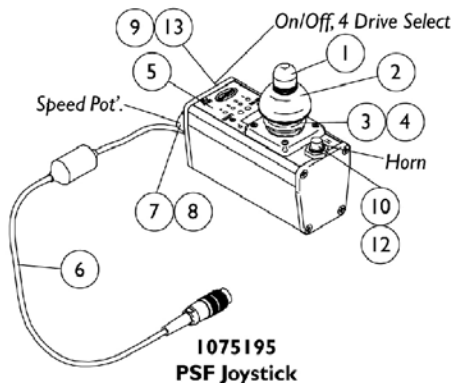
Item Number	Note	Part Number	Description	Quantity Per	
				Package	Assembly
1	A	1127291	Joystick, SPJ+	1	1
2		1040217	Knob, Joystick Rubber, Black	1	1
3		1040218	Skirt, Joystick Rubber, Black	1	1
4		1165094	Kit, Overlay, SPJ+ Joystick (MK5/MK6)	1	1
			NLA - Overlay, SPJ+ Joystick	1	1
			Instruction Sheet, MK5/MK6 Overlay	1	1
5		1061983-NLA	NLA - Spacer, Plastic Snap Clamp (3/4" I.D. x 2-1/2")	1	1
6		1093071	Clamp, Fixed Height Joystick Tube	1	1
7	B	1093069	Kit, 1/2" Offset Joystick Tube with Hardware	1	1
8		1027095	Plug Button, Black (7/8")	1	1
9		1095502-NLA	NLA - Package, Tie Wrap (11-1/2" L)	10	1
10		1025714	Screw, Phillips Pan Head (#10-32 x 1-1/8")	1	2
11	C	1093063	Spacer, Joystick Tube, Black	1	1
12	D	1139422	Clamp, Height Adjustable Joystick Tube (ARM250)	1	1
13		1133165-NLA	NLA - Cable, Joystick Extension, MK5	1	1
	E	1006270	Extension, Joystick, "T" Style (1560) (4" W x 5-1/2" L)	1	1
	E	1006271	Extension, Joystick, Straight Style (1561) (1/2" W x 5" L)	1	1

NOTE: A - Includes Joystick and items 2 - 4
B - Includes items 8-11
C - Spacer allows the half clamps to grip securely around the 3/4" arm tube
D - Introduced as an option (ARM250) and can be used to replace a Fixed Height Joystick Clamp.
E - Not Shown

MKIV Joysticks

PSF and PSR Before 2/15/03

NOTE: PSR STANDARD joystick configuration below show the on/off switch on the left side for part # 1075196. When the on/off switch is required on the right side, refer to part number 8881075196 and order as a configured part.



STANDARD: This PSR joystick includes a toggle on/off combined with a drive select and a push button horn. No speed selector.

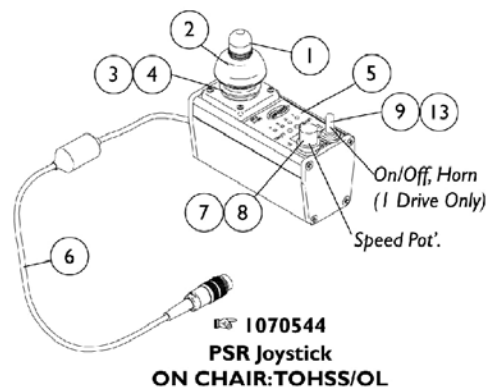
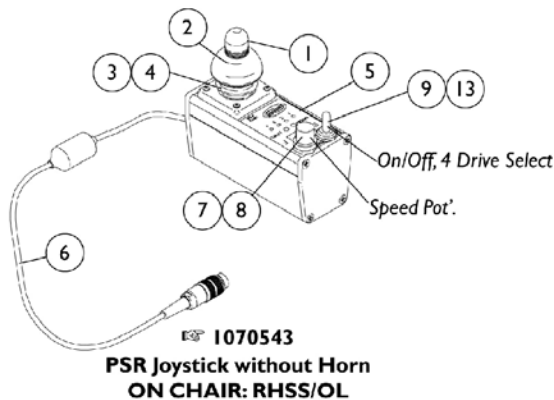
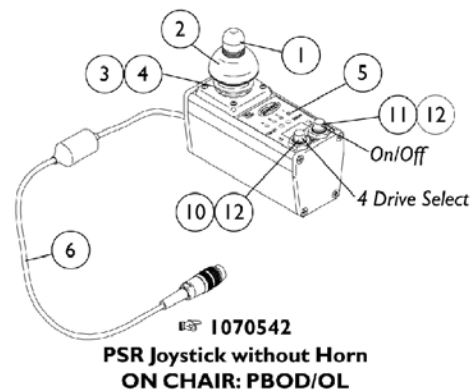
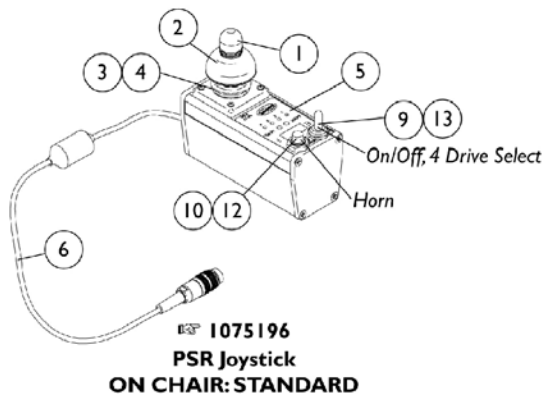
PBOD: This PSR joystick includes push button on/off with a push button drive select. This gives you access to the four drives, but no horn and no speed select.

RHSS: This PSR joystick replaces the horn with a speed selector. This allows you to deviate from having a horn to having a speed select dial, plus the drive selector to the four drives.

TOHSS: This PSR joystick includes a toggle on/off with horn and a speed select dial. You have access to only one drive.

OL: On/Off positioned on left side of the PSR joystick.

OR: On/Off positioned on right side of the PSR joystick.



MKIV Joysticks

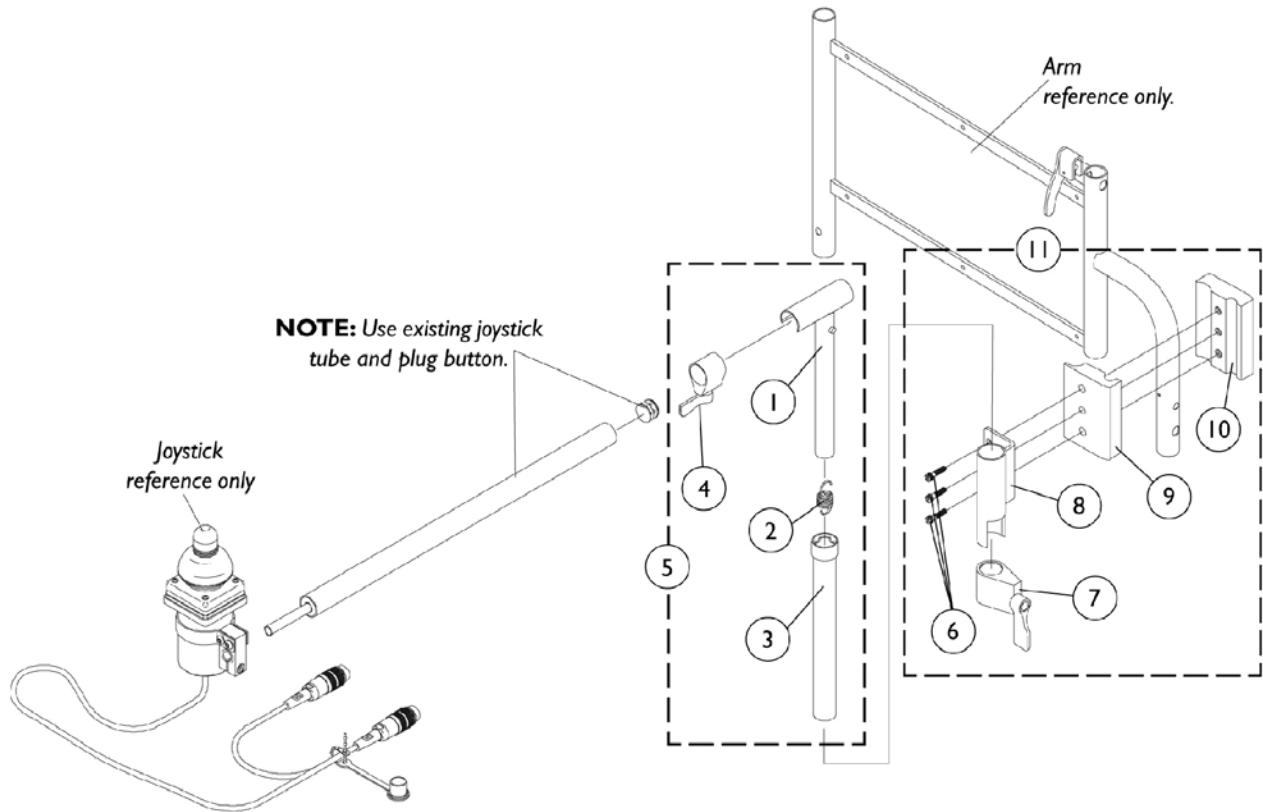
PSF and PSR Before 2/15/03

NOTE: PSR STANDARD joystick configuration below show the on/off switch on the left side for part # 1075196. When the on/off switch is required on the right side, refer to part number 8881075196 and order as a configured part.

Item Number	Description	PSF	PSR
See Pictorial	Joystick Assembly	N/A	1075196-NLA
See Pictorial	Joystick Assembly	1075195-NLA	8881075196
See Pictorial	Joystick Assembly	N/A	1070542-NLA
See Pictorial	Joystick Assembly	N/A	1070543-NLA
See Pictorial	Joystick Assembly	N/A	1070544-NLA
1	Knob, Joystick	1040217	1040217
2	Skirt, Joystick	1040218	1040218
3	Inductive, Joystick	1036764-NLA	1036764-NLA
4	Boot, Joystick	50000X364-NLA	50000X364-NLA
5	Overlay, Joystick Decal	1075034-NLA	1079925-NLA
6	Cable Assembly	1036750-NLA	1036750-NLA
7	Potentiometer, Speed	1040225-NLA	1040225-NLA
8	Knob, Potentiometer	1025516-NLA	1025516-NLA
9	Switch, On/Off Momentary	1040185-NLA	1040185-NLA
10	Switch, Push Button SPST Momentary	1010047-NLA	1010047-NLA
11	Switch, Push Button SPST	N/A	1010048-NLA
12	Boot, Switch	1010049-NLA	1010049-NLA
13	Boot, Switch	1058464-NLA	1058464-NLA

MKIV Mid-Line Swing Bracket Assembly

For MKIV Electronics Only

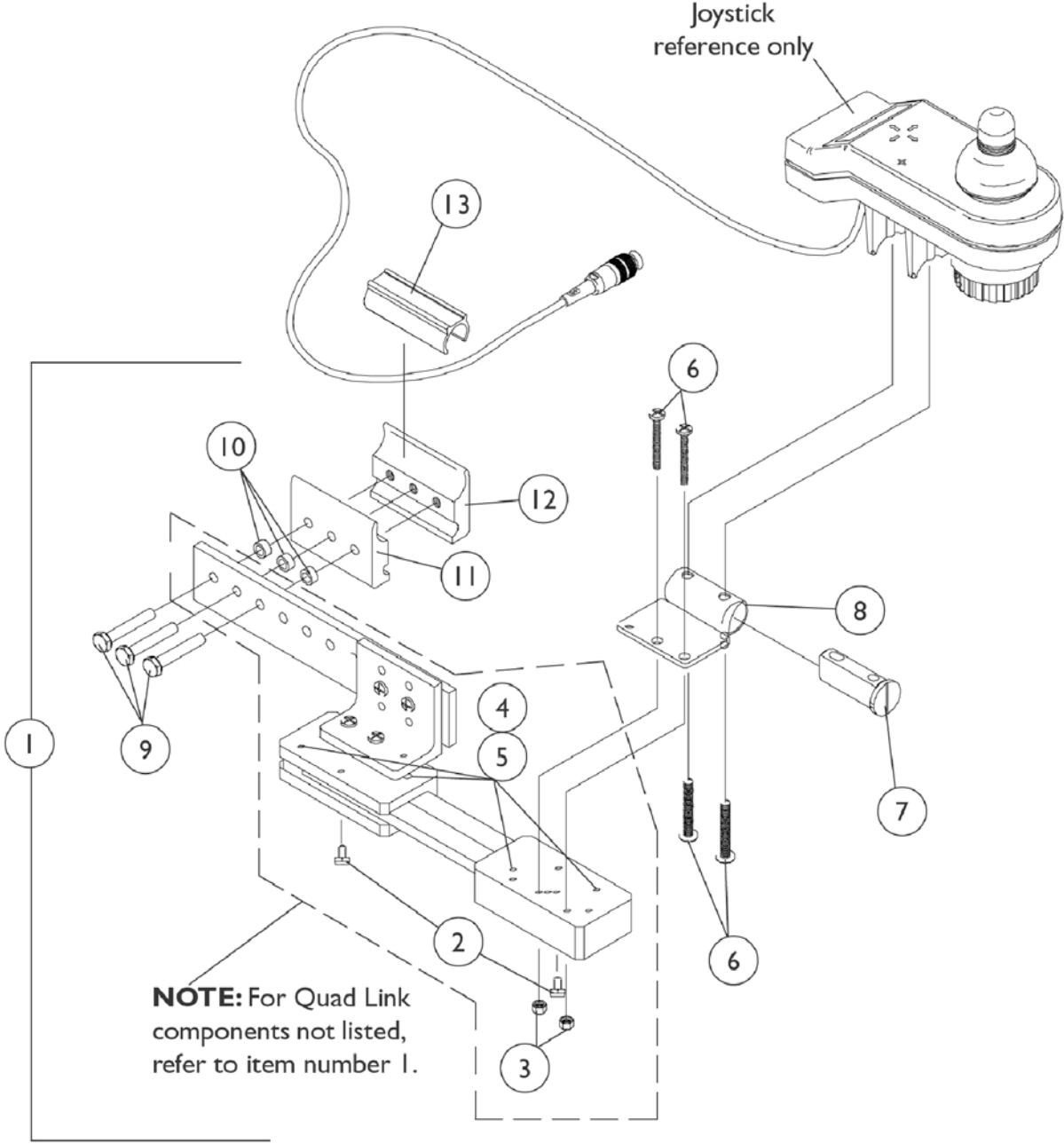


Item Number	Note	Part Number	Description	Quantity Per	
				Package	Assembly
1		1035528-NLA	NLA - Tube, Adjustment, Inside, Mid-Line, Black	1	1
2		1016778-NLA	NLA - Spring, Extension (9/16 x 1-3/8" L)	1	1
3		1035860-NLA	NLA - Tube, Adjustment, Outside, Mid-Line, Black	1	1
4		1027274	Adjustment Lock Assembly, Black	1	1
5	A	1035852-NLA	NLA - Swing Bracket Assembly, Mid-Line, Black	1	1
6		7930349-NLA	NLA - Screw, Hex Head (1/4-20 x 1-1/8")	25	3
7		1027274	Adjustment Lock Assembly, Black	1	1
8		1049582-NLA	NLA - Bracket, Joystick Mounting, Black	1	1
9		1027266	Half Clamp, Non-Threaded Holes	1	1
10		1027267-NLA	NLA - Half Clamp, Threaded Holes	1	1
11	B	1049591-NLA	NLA - Hardware, Joystick Tube Mounting	1	1

NOTE: A - Includes items 1-4
B - Includes items 6-10

Quad Link Assembly

Before 4/07/06



Quad Link Assembly Before 4/07/06

Item Number	Note	Part Number	Description	Quantity Per	
				Package	Assembly
1	A	1052402-NLA	NLA - Kit, Quad Link Assembly - Right	1	1
2			NLA - Ball Plunger Assembly with Lock Washer	2	1
3			Locknut (#10-32)	1	2
4			NLA - Screw, Cap, Socket Head (#10-32 x 1/2")	1	4
5			NLA - Bushing, Bronze (3/16 x 1/4 x 1/4")	1	4
6			Screw, Phillips Pan Head (#10-32 x 1-1/8")	1	4
7			Spacer, Joystick Tube, Black	1	1
8			NLA - Stud Plate, Quad Link	1	1
9			Screw, Hex Head (1/4-20 x 1-1/2")	1	3
10			NLA - Spacer (1/4 x 3/8 x 3/16")	1	3
11			Half Clamp, Non-Threaded Holes	1	1
12			NLA - Half Clamp, Threaded Holes	1	1
1	A	1115372-NLA	NLA - Kit, Quad Link Assembly - Left	1	1
2			NLA - Ball Plunger Assembly with Lock Washer	2	1
3			Locknut (#10-32)	1	2
4			NLA - Screw, Cap, Socket Head (#10-32 x 1/2")	1	4
5			NLA - Bushing, Bronze (3/16 x 1/4 x 1/4")	1	4
6			Screw, Phillips Pan Head (#10-32 x 1-1/8")	1	4
7			Spacer, Joystick Tube, Black	1	1
8			NLA - Stud Plate, Quad Link	1	1
9			Screw, Hex Head (1/4-20 x 1-1/2")	1	3
10			NLA - Spacer (1/4 x 3/8 x 3/16")	1	3
11			Half Clamp, Non-Threaded Holes	1	1
12			NLA - Half Clamp, Threaded Holes	1	1
13	B	1061983-NLA	NLA - Spacer, Plastic Snap Clamp (3/4" I.D. x 2-1/2")	1	1

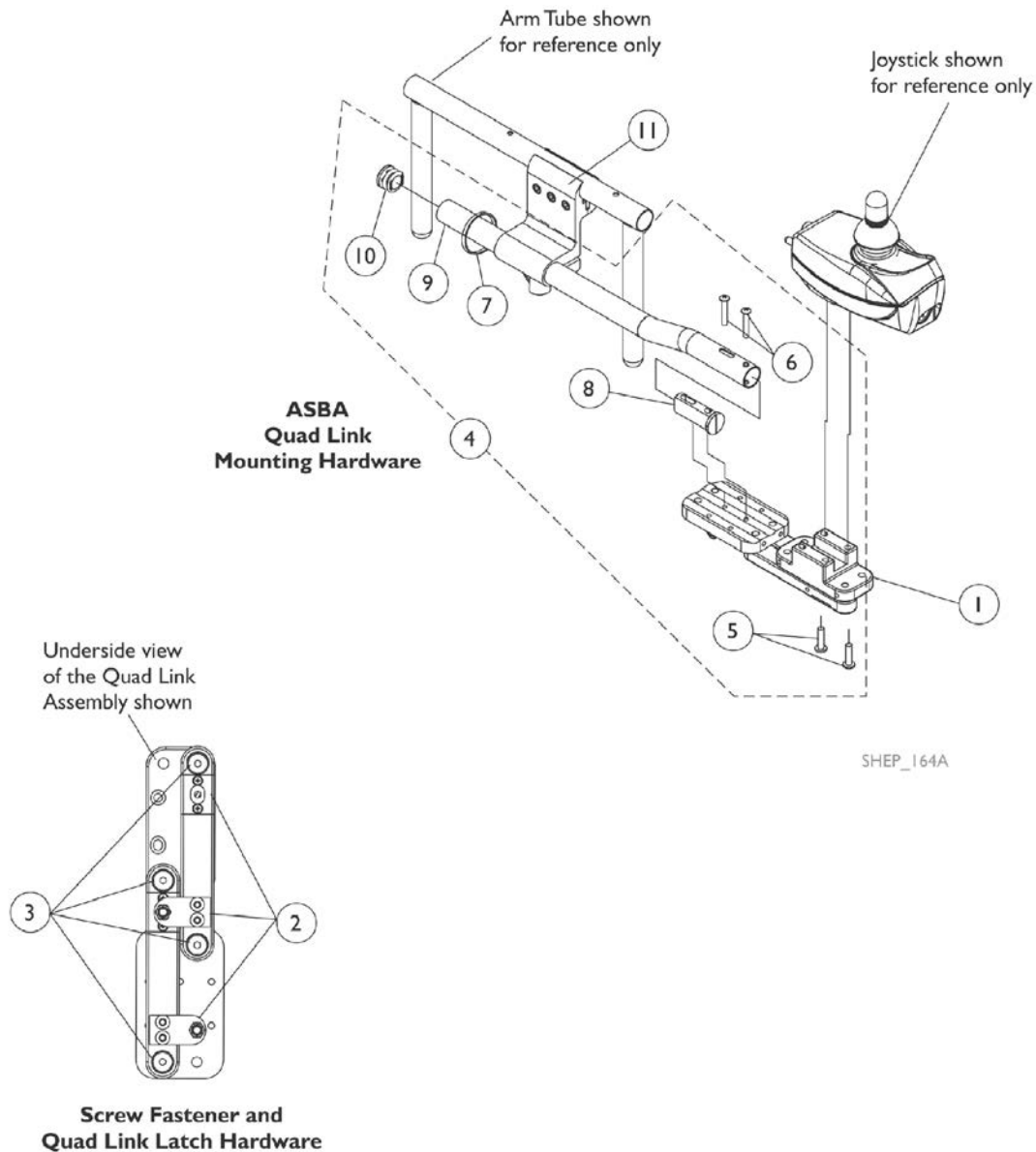
NOTE: A - Includes the Quad Link, items 2-12 and used with MKIV RII, RX, A, A+, PSF/PSR joysticks
 B - Spacer allows the half clamps to grip securely around the 3/4" arm tube

Quad Link (QLA)

After 4/06/06

When converting an old style Quad Link that attaches to a mounting plate is currently on the chair then order the following for ASBA Seat; Quad Link Mtg. Hdw. (item 4), Quad Link (item 1) & Ht. Adj. Joystick Tube Clamp (item 11)

NOTE: Substitute (item 4) with 2 ea. of the PPH Screws (item 5) when an offset joystick tube is currently on the chair.



Quad Link (QLA)

After 4/06/06

When converting an old style Quad Link that attaches to a mounting plate is currently on the chair then order the following for ASBA Seat; Quad Link Mtg. Hdw. (item 4), Quad Link (item 1) & Ht. Adj. Joystick Tube Clamp (item 11)

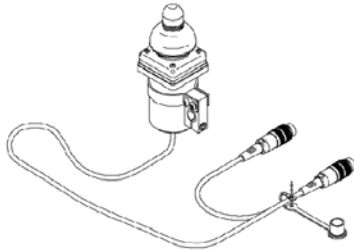
NOTE: Substitute (item 4) with 2 ea. of the PPH Screws (item 5) when an offset joystick tube is currently on the chair.

Item Number	Note	Part Number	Description	Quantity Per	
				Package	Assembly
1		1140898	Quad Link (QL) with Instruction Sheet - Right	1	1
1		1140899	Quad Link (QL) with Instruction Sheet - Left	1	1
2	A	1140425	Kit, Quad Link Latch Hardware	1	1
3	B	1140424-NLA	NLA - Kit, Quad Link Screw Fastener Hardware	1	1
4	C	1142937	Kit, ASBA/ADJASBA Quad Link Mounting Hardware	1	1
5			Screw, Phillips Pan Head w/ Patch (#10-32 x 3/4")	1	2
6			Screw, Phillips Pan Head (#10-32 x 1-1/8")	1	2
7			Tie Wrap (11-1/2" L)	1	1
8			Spacer, Joystick Tube, Black	1	1
9			Tube, Joystick Offset (2")	1	1
10			Plug Button, Black (7/8")	1	1
5		1105414	Screw, Phillips Pan Head w/ Patch (#10-32 x 3/4")	1	2
11		1093071	Clamp, Fixed Height Joystick Tube	1	1
	D	1134844	Instruction Sheet, Quad Link	1	1
<p>NOTE: A - Latch Kit includes 4 ea. Button Head Cap Screws (10-32 x 3/8"), 2 ea. Latch Spring Assembly, 4 ea. Phillips Flat C'Sunk Head Screws, 2 ea. Spring Catch Plates, 2 ea. Socket Head Set Screws (10-32 x 3/8")</p> <p>B - Screw Fastener Kit includes 4 ea. Socket Head Shoulder Screws (3/8 x 3/8"), 2 ea. Socket Head Cap Screws (1/4-20 x 3/8"), 2 ea. Socket Head Set Screws (1/4-20 x 1/2"), 4 ea. Socket Head Set Screws (10-32 x 1/8")</p> <p>C - Includes items 5-10. The Quad Link Mounting Hardware accommodates MK5, MKIV RII, A, and A+ joysticks.</p> <p>D - Not Shown</p>					

MKIV Joystick Switch Options

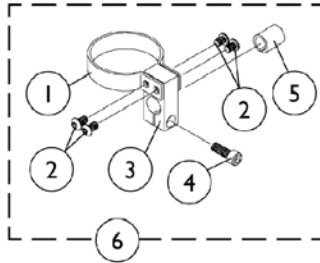
For MKIV Electronics Only

DUAL JOYSTICK W/ MTG. HARDWARE

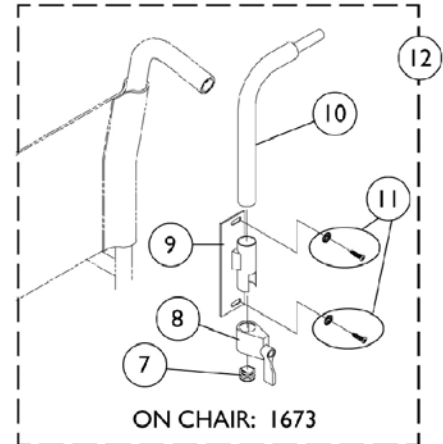


ON CHAIR: 1812M4
OFF CHAIR: 1038638

DUAL JOYSTICK MOUNTING HARDWARE



REAR CANE MOUNT

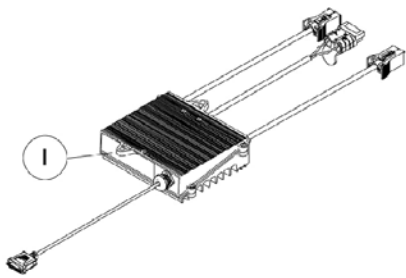


1020818 Ribbon Reset Switch (1020818) may be required.

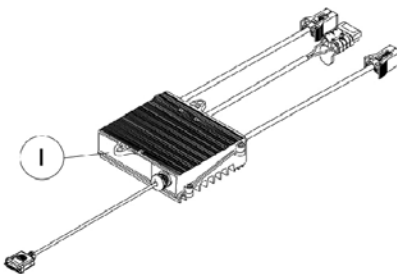
MKIV Joystick Switch Options For MKIV Electronics Only

Item Number	Note	Part Number	Description	Quantity Per	
				Package	Assembly
1		1025048	Clamp	1	1
2		1021460	Screw, Socket Button Head (#10-32 x 5/16")	1	4
3		1025045-NLA	NLA - Clamp, Mounting	1	1
4		1027089-NLA	NLA - Screw, Socket Head (#10-24 x 1/2")	1	1
5		1026273-NLA	NLA - Spacer, Split (3/8" I.D.)	1	1
6	A	1108012	Hardware, Dual/Compact Joystick Clamp Mounting	1	1
7		1027095	Plug Button, Black (7/8")	1	1
8		1027274	Adjustment Lock Assembly, Black	1	1
9		1025245-NLA	NLA - Bracket, Upright, Black -Right	1	1
10		1044918-NLA	NLA - Tube, Joystick	1	1
11		1026298	Package, Screw with Washer (#10 x 7/8") (Pair)	2	1
11		1076284	Screw w/ Washer (#10 x 7/8")	1	2
12	B,D	1044917	Hardware, Rear Cane Mount (1673/RCM)	1	1
	C	1038638-NLA	NLA - Joystick, MKIV Dual/Compact	1	1
	E,F	1020818	Switch, Red Flex Ribbon (Tape) Reset	1	1
	G	1123276	Kit, Switch, Black Egg Reset w/ Hook/Loop Adhesive Back Fastener & Attaching Screws (EGSBLK)	1	1
<p>NOTE: A - Includes items 1-5 B - Includes items 7-11 C - See pictorial for reference D - 1673 Rear Cane Mount E - Not Shown F - Before 5/24/04 G - Not Shown. After 5/23/04 the Egg Reset Switch replaced the Red Flex Ribbon (Tape) Reset Switch</p>					

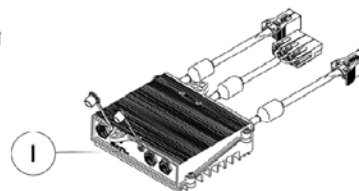
MKIV Controllers, Harness, Programmer and Hardware Before 2/15/03



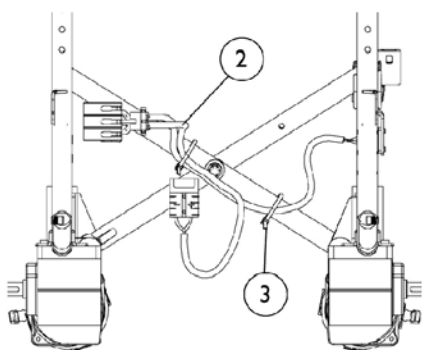
MKIV RII LP Controller
R32 / R32LX / R50LX



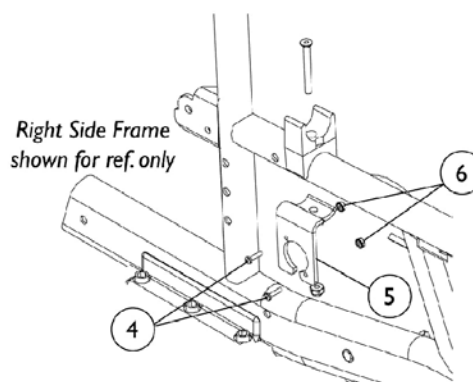
MKIV RII Controller
R51 / R51LX / R51LXP



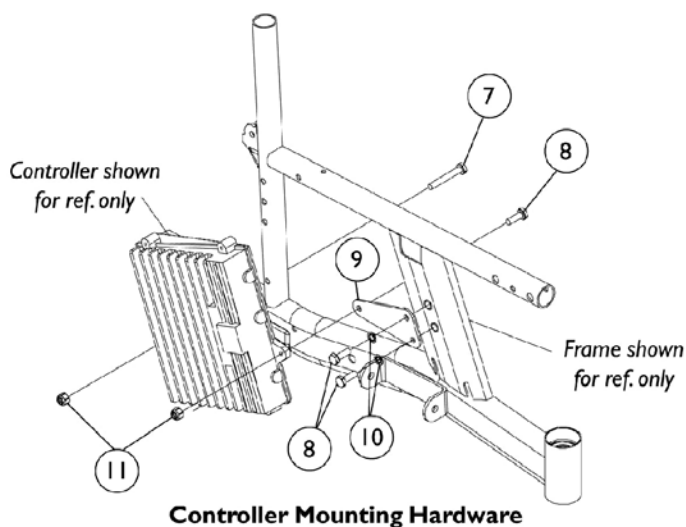
MKIV Controller
R51LXP (Optional)



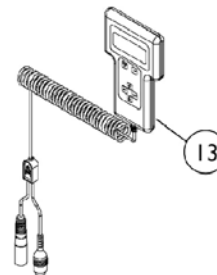
MKIV Controller Harness
R51LXP (Optional)



MKIV Controller Harness Hardware
R51LXP (Optional)



Controller Mounting Hardware

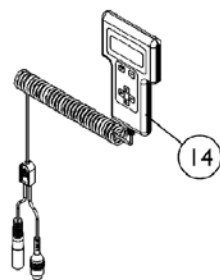
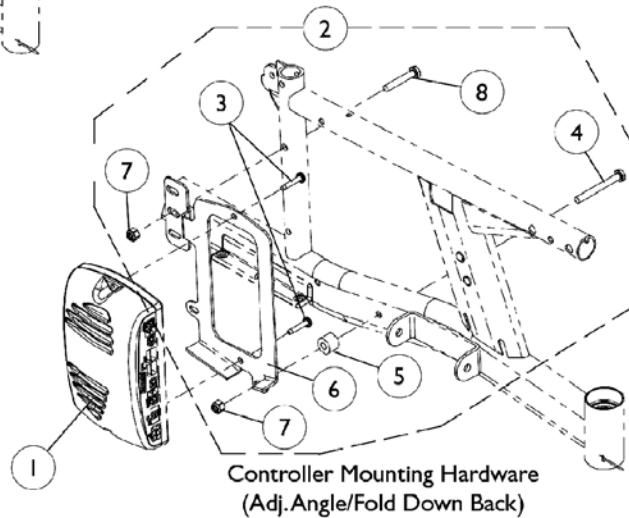
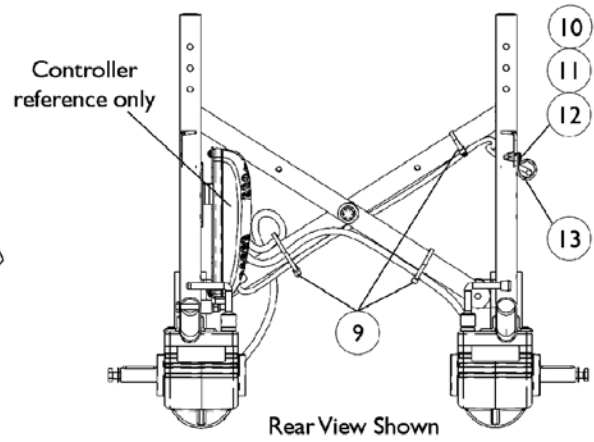
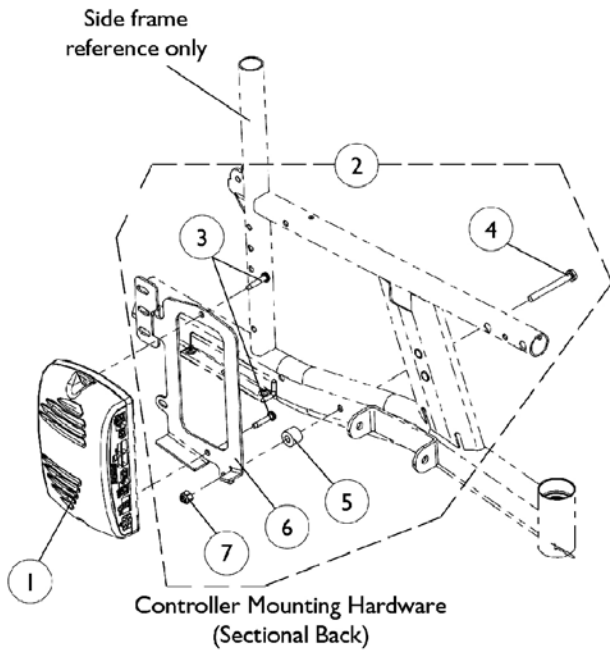
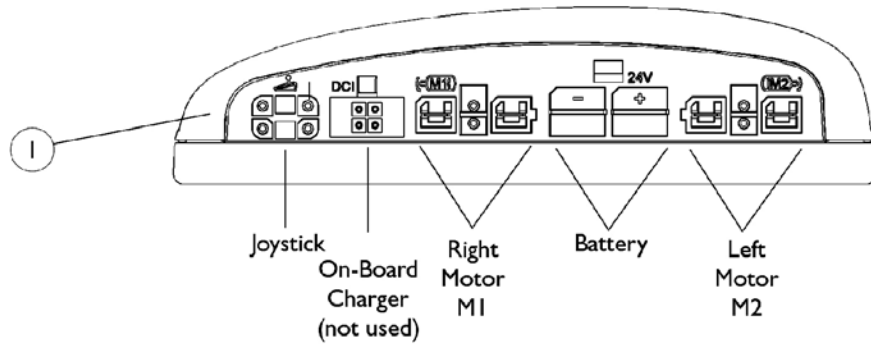


MKIV Controllers, Harness, Programmer and Hardware Before 2/15/03

Item Number	Note	Part Number	Description	Quantity Per	
				Package	Assembly
1	D	1095261-NLA	NLA - Controller	1	1
1	E	1092603-NLA	NLA - Controller, MKIV RII	1	1
1	F	1105707-NLA	NLA - Controller, MKIV Quad Pulse	1	1
2	A	1108623-NLA	NLA - Harness, Wiring, Controller	1	1
3		98007X005	Tie Wrap (11-1/2" L)	1	2
4		7930318-NLA	NLA - Package, Screw, Phillips Pan Head (#4-40 x 1/2")	25	2
5		1053837-NLA	NLA - Bracket, Charger Connector, Black	1	1
6		P0870X000	Nut, Hex Keps (#4-40)	1	2
7		1024793-NLA	NLA - Screw, Hex Head (1/4-20 x 1-3/4")	1	1
8		7930326-NLA	NLA - Package, Screw, Hex Head (1/4-20 x 3/4")	25	3
9		1107670-NLA	NLA - Bracket, Controller Mounting, Black - Adult	1	1
9		1107669	Bracket, Controller Mounting, Black - Hemi	1	1
10		1026108	Lockwasher (1/4 x 15/32 x 1/64")	1	2
11		7930333	Locknut (1/4-20)	25	2
	B,C	1106322-NLA	NLA - Controller Mounting Hardware, Adult	1	1
	B,C	1106321-NLA	NLA - Controller Mounting Hardware, Hemi	1	1
12	G	1020818	Switch, Red Flex Ribbon (Tape) Reset	1	1
12	H	1123276	Kit, Switch, Black Egg Reset w/ Hook/Loop Adhesive Back Fastener & Attaching Screws (EGSBLK)	1	1
13		1109091-NLA	NLA - Programmer, Remote	1	1
	C	1058491-NLA	NLA - Connector Boot, Wire	1	1
	C	1095204-NLA	NLA - Cable, Virtual Service, Charger/Modem	1	1
NOTE: A - Includes items 2-6 B - Includes items 7-11 C - Not Shown. D - MKIV RII LP (R32, R32LX, and R50LX) E - MKIV RII (R51, R51LX, and R51LXP) F - MKIV Quad Pulse (R51LXP)(Optional) G - Before 5/24/04 H - Not Shown. After 5/23/04 the Egg Reset Switch replaced the Red Flex Ribbon (Tape) Reset Switch					

MK5 Controllers, Programmer and Hardware

After 2/14/03



MK5 Controllers, Programmer and Hardware After 2/14/03

Item Number	Note	Part Number	Description	Quantity Per	
				Package	Assembly
1	A	1109530	Controller, MK5 NX	1	1
1	A	1109530E-NLA	NLA - WARR RPLMT - Controller, MK5 NX	1	1
1	B	1109531-NLA	NLA - Controller, MK5 NX-LP	1	1
2	C,F	1115360-NLA	NLA - Hardware, MK5 Controller Mounting, Sectional Back	1	1
2	D	1115361-NLA	NLA - Hardware, MK5 Controller Mounting, Adj. Angle Fold Down Back	1	1
3		1113439-NLA	NLA - Screw, Phillips Pan Head Tap (#10-32 x 1")	1	2
4		1026154-NLA	NLA - Screw, Hex Head (1/4-20 x 2-1/4")	1	1
5		1112992-NLA	NLA - Spacer (9/32 x 5/8 x 1/2")	1	1
6		1112989-NLA	NLA - Bracket, MK5 Controller Mounting, Black	1	1
7	E	1025736	Locknut (1/4-20)	1	1
8		1070759	Screw, Hex Head (1/4-20 x 1-1/2")	1	1
9		1095502-NLA	NLA - Package, Tie Wrap (11-1/2" L)	10	3
10		1025716	Screw, Phillips Pan Head (#10-32 x 11/16")	1	1
11		1025731	Locknut (#10-32)	1	1
12		1026034-NLA	NLA - Washer, Nylon (3/16 x 7/16 x 1/8")	1	1
13		50000X403-NLA	NLA - Clamp, Black Plastic	1	1
14		1109091-NLA	NLA - Programmer, Remote	1	1
NOTE: A - For R51, R51LX and R51LXP models B - For R32, R32LX, R50LX models C - Includes items 3-7 D - Includes items 3-8 E - Adj. angle/fold down back takes 2 in quantity F - This part is no longer available. Please use part number 1115361 as a direct replacement.					

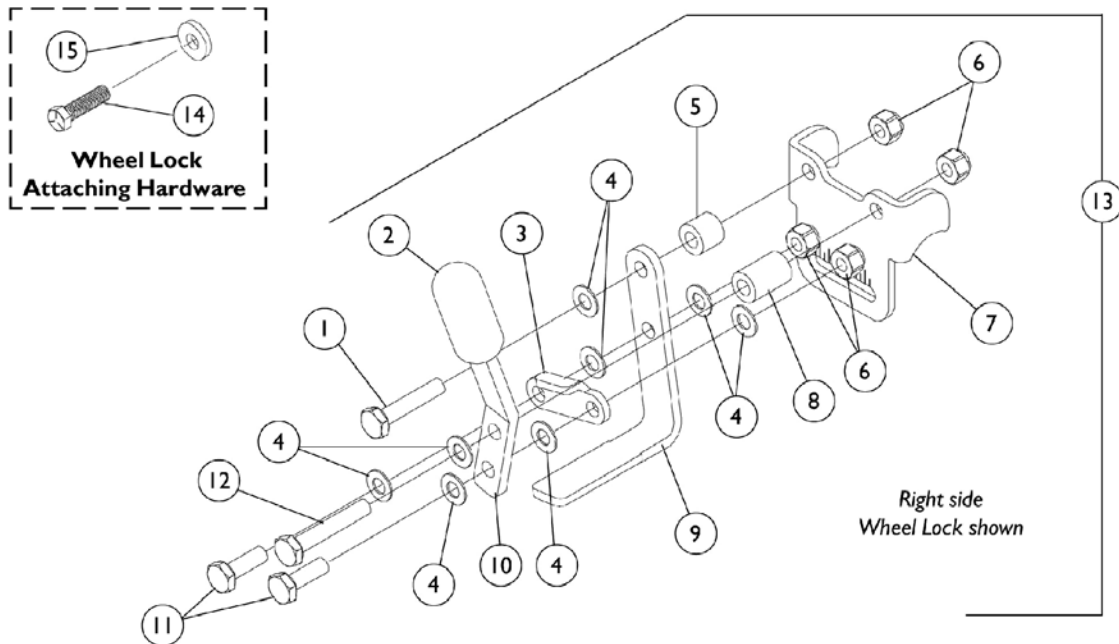
Accessories Solid Seat Inserts

Chair Width x Depth	Upholstery Type Nylon See Note(s) A	Upholstery Type Vinyl See Note(s) A
14" x 16"	8881052557	8881052536-NLA
14" x 17"	8881052558-NLA	8881052537-NLA
14" x 18"	8881052559	8881052538-NLA
16" x 16"	8881052563	8881052542-NLA
16" x 17"	8881052564	8881052543-NLA
16" x 18"	8881052565	8881052544-NLA
18" x 16"	8881052569	8881052548-NLA
18" x 17"	8881052570	8881052549-NLA
18" x 18"	8881052571	8881052550-NLA
20" x 16"	8881052575	8881052554-NLA
20" x 17"	8881052576	8881052555-NLA
20" x 18"	8881052577	8881052556-NLA

NOTE: A - When ordering, please specify U240 for Nylon and U05 Black for Lightweight Vinyl Upholstery.

Accessories

Wheel Locks Before 2/15/03

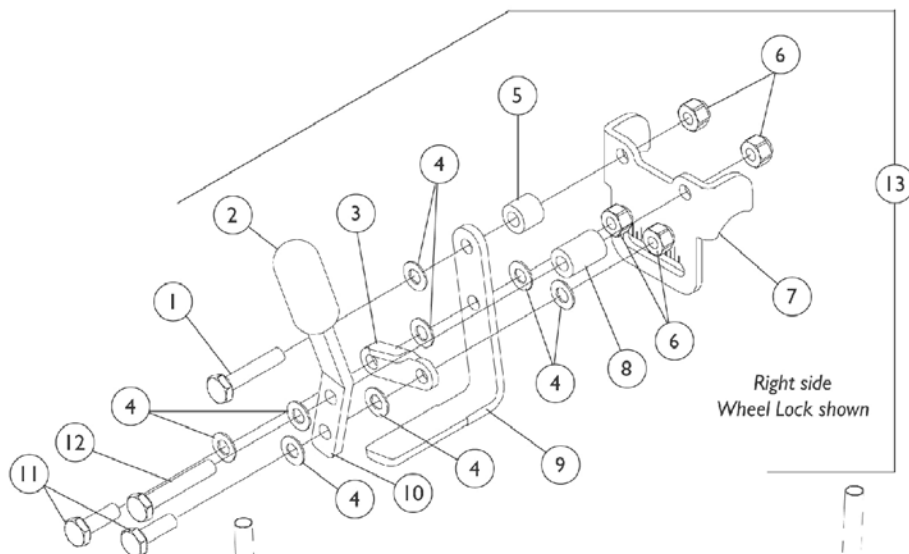


Item Number	Note	Part Number	Description	Quantity Per	
				Package	Assembly
1		1021406	Screw, Hex Head (1/4-20 x 1-1/4")	1	1
2		47376X024	Tip, Rubber Wheel Lock Handle, Black	1	1
3		1018733-NLA	NLA - Link, Stop, Black	1	1
4		1026103	Washer, Nylon (1/4 x 1/2 x 1/32")	1	8
5		1106326-NLA	NLA - Spacer Nylon (17/64 x 1/2 x 7/16")	1	1
6		7930333	Locknut (1/4-20)	25	4
7		1057912-NLA	NLA - Bracket, Black	1	1
8		1106325-NLA	NLA - Spacer Nylon (17/64 x 1/2 x 3/4")	1	1
9		1021405-NLA	NLA - Shoe, Wheel Lock	1	1
10		1028414	Handle, Wheel Lock, Black - Right/ Left	1	1
11		7930326-NLA	NLA - Package, Screw, Hex Head (1/4-20 x 3/4")	25	2
12		1030949	Screw, Hex Head (1/4-20 x 1-1/2")	1	1
13		1106300	Wheel Lock Assembly without Attaching Hardware Right	1	1
13		1106301	Wheel Lock Assembly without Attaching Hardware Left	1	1
14		7930326-NLA	NLA - Package, Screw, Hex Head (1/4-20 x 3/4")	25	1
15		1018739	Washer (1/4 x 5/8 x 3/32")	1	1
	A	1108624-NLA	NLA - Wheel Locks with Attaching Hardware (pair)	2	1

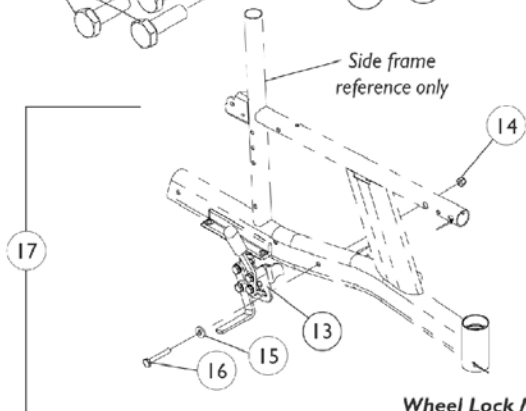
NOTE: A - Not Shown.

Accessories

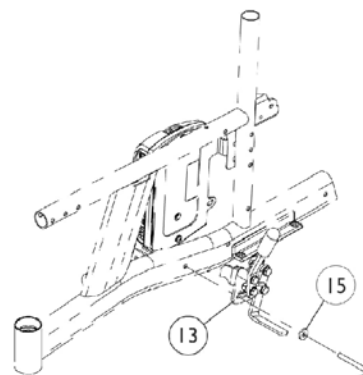
Wheel Locks After 2/14/03



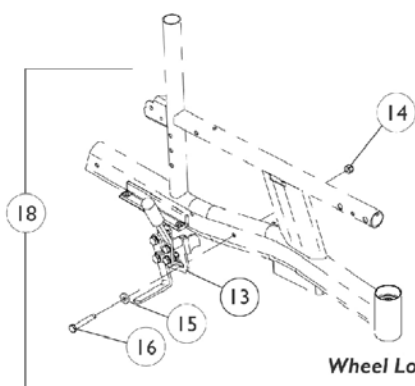
Right side
Wheel Lock shown



Wheel Lock Mounting Hardware
(Adult)



NOTE: Assemble left wheel lock to side frame using the 1/4-20 x 2-1/4" hex head cap screw from the controller mounting hardware.



Wheel Lock Mounting Hardware
(Hemi)

Accessories

Wheel Locks After 2/14/03

Item Number	Note	Part Number	Description	Quantity Per	
				Package	Assembly
1		1021406	Screw, Hex Head (1/4-20 x 1-1/4")	1	1
2		47376X024	Tip, Rubber Wheel Lock Handle, Black	1	1
3		1018733-NLA	NLA - Link, Stop, Black	1	1
4		1026103	Washer, Nylon (1/4 x 1/2 x 1/32")	1	8
5		1106326-NLA	NLA - Spacer Nylon (17/64 x 1/2 x 7/16")	1	1
6		7930333	Locknut (1/4-20)	25	4
7		1057912-NLA	NLA - Bracket, Black	1	1
8		1106325-NLA	NLA - Spacer Nylon (17/64 x 1/2 x 3/4")	1	1
9		1021405-NLA	NLA - Shoe, Wheel Lock	1	1
10		1028414	Handle, Wheel Lock, Black - Right/ Left	1	1
11		7930326-NLA	NLA - Package, Screw, Hex Head (1/4-20 x 3/4")	25	2
12		1030949	Screw, Hex Head (1/4-20 x 1-1/2")	1	1
13	A	1106300	Wheel Lock Assembly without Attaching Hardware Right	1	1
13	A	1106301	Wheel Lock Assembly without Attaching Hardware Left	1	1
14	C	1025736	Locknut (1/4-20)	1	1
15		1018739	Washer (1/4 x 5/8 x 3/32")	1	2
16	C	1037610	Screw, Hex Head (1/4-20 x 1-5/8")	1	1
17	B	1115552-NLA	NLA - Wheel Lock with Attaching Hardware, Adult	2	1
18	B,C	1115553-NLA	NLA - Wheel Lock with Attaching Hardware, Hemi	2	1
	D,E	1116397-NLA	NLA - Wheel Lock Attaching Hardware	2	1
NOTE: A - Includes items 1-12 B - Includes items 13-16 C - Hemi frame mounting hardware includes quantity of 2 each for items 14 and 16 D - Not Shown E - Includes 2 each of items 14, 15 and 16					

Accessories

Miscellaneous

Auto Style Push Button Positioning Strap

Chair Width	Part Number	Seat/Chest Positioning Strap w/ Auto Style Buckle Length (Eyelet to Eyelet)
16" - 19" Wide	1004310	48" L
20" - 22" Wide	1034625	61" L

Airline Style Positioning Strap

Chair Width	Part Number	Seat/Chest Positioning Strap w/ Airline Style Buckle Length (Eyelet to Eyelet)
16" - 19" Wide	TAGTS1034751-NLA	46" L
20" - 22" Wide	1034752	61" L

Hook and Loop Style Positioning Strap

Chair Width	Part Number	Seat/Chest Positioning Strap w/ Hook and Loop Style Buckle Length (Eyelet to Eyelet)
16" - 19" Wide	1034744 See Note(s) A	45" L
20" - 22" Wide	1034745 See Note(s) A	61" L

NOTE: A - Hook and Loop Style Positioning Straps for power chairs used for chest positioning only.

Mounting Hardware - Positioning Straps

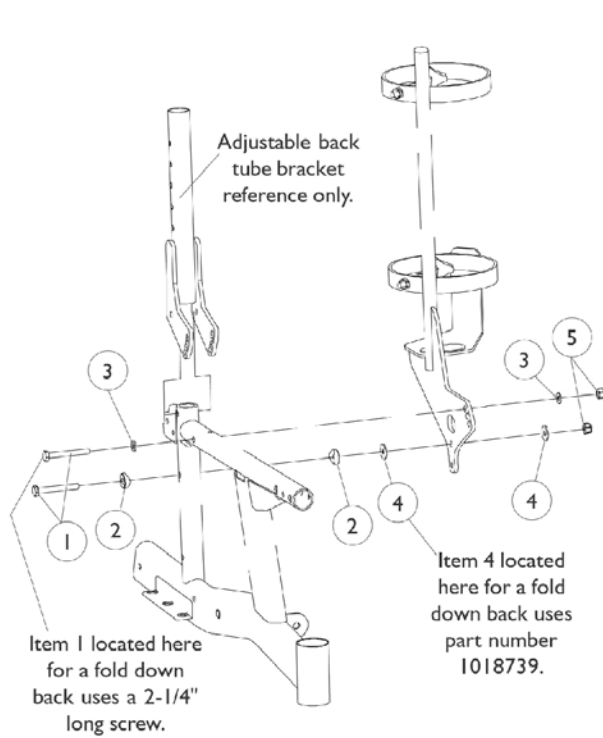
Part Number	Description	Quantity
1037610	Screw, Hex Head (1/4-20 x 1-5/8")	2
1025736	Locknut (1/4-20)	2

Accessories
Miscellaneous
Tire Pump

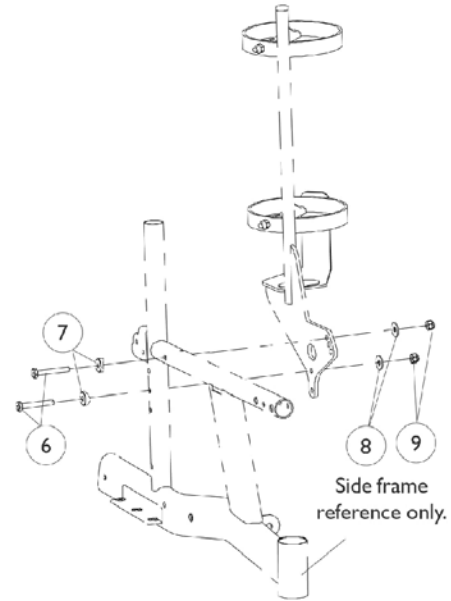
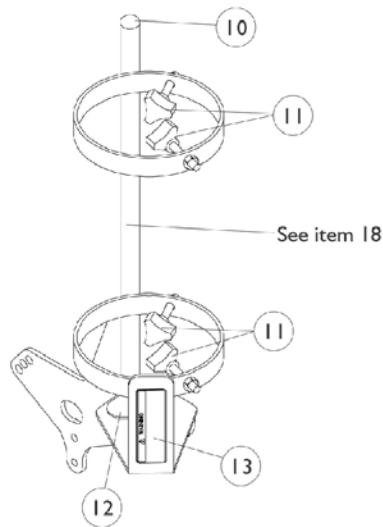
Part Number	Description
40176X010-NLA	Tire Pump

Accessories

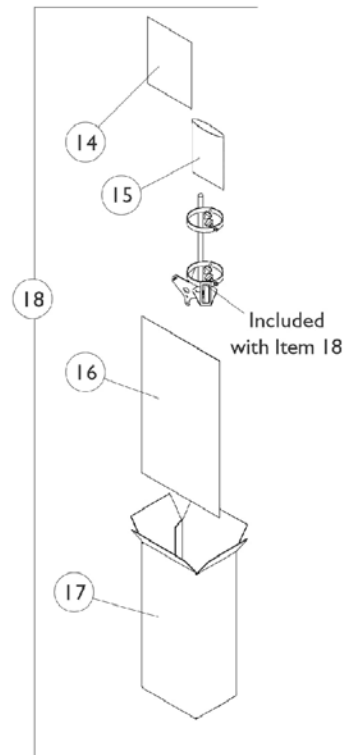
Oxygen Holder Assembly



Oxygen Holder Mounting Hardware
(For Adjustable Angle and Fold Down Back)



Oxygen Holder Mounting Hardware
(For Sectional Back)



Accessories

Oxygen Holder Assembly

Item Number	Note	Part Number	Description	Quantity Per	
				Package	Assembly
1	A	1024796-NLA	NLA - Screw, Hex Head (1/4-20 x 2")	1	2
1	B	1026154-NLA	NLA - Screw, Hex Head (1/4-20 x 2-1/4")	1	1
2		1026099	Spacer, Coved (1/4 x 11/16 x 1/2")	1	2
3		1026907	Washer (1/4 x 1/2 x 1/16")	1	8
4	A	1026900	Washer (1/4 x 23/32 x 1/16")	1	2
4	B	1018739	Washer (1/4 x 5/8 x 3/32")	1	1
5		1025736	Locknut (1/4-20)	1	3
6		1024793-NLA	NLA - Screw, Hex Head (1/4-20 x 1-3/4")	1	2
7		1026099	Spacer, Coved (1/4 x 11/16 x 1/2")	1	2
8		1026900	Washer (1/4 x 23/32 x 1/16")	1	2
9		1025736	Locknut (1/4-20)	1	2
10		1018133	Plug Button, Black (5/8")	1	1
11		1027684	Knob, Clamping, Black	1	4
12		1072002-NLA	NLA - Pad, Non Skid	1	1
13		1080866	Decal, Oxygen Warning - English	1	1
14	D	1110557-NLA	NLA - Instruction Sheet, Oxygen Holder Assembly	1	1
15		1021148-NLA	NLA - Bag, Poly Zip-Lip (8-3/4" L x 6" W)	1	1
16		1021866-NLA	NLA - Bag, Poly (26" L x 15" W)	1	1
17		1097276-NLA	NLA - Carton, Shipper	1	1
18	C	1110404-NLA	NLA - Oxygen Holder Assembly Kit with Instruction Sheet	1	1

NOTE: A - Fold down back uses 1
 B - Fold down back only
 C - Includes items 1-17
 D - Item is no longer available from the Invacare Service Parts Department. Refer to the Invacare Website under "Product Literature Search". Enter the part number in the "Keywords" field and download a free PDF version copy.

Power Wheelchair Tool Kit

1



Multimeter with Leads



Grounding Wire



1" Test Leads



Protractor/Angle Locator



Invacare Pen Light



Invacare Tape Measure



Invacare Phillips/Flat Head Screwdriver



MKIV Programmer



Virtual Service Charger Cable

Power Wheelchair Tool Kit

Item Number	Note	Part Number	Description	Quantity Per	
				Package	Assembly
1		1125222-NLA	NLA - Kit, Power Wheelchair Tool Includes: 1 ea. Multimeter with Leads 1 ea. Locator, Protractor/Angle Magnetic Base 1 ea. Instructions, MKIV Programmer 1 ea. Wire, Grounding with Hand Strap and Clip 1 ea. Leads, 1" Test 1 ea. Light, Pen with Invacare Logo 1 ea. Tape Measure, Compact with Invacare Logo 1 ea. Screwdriver, Pen-Size Phillips/Flat Head 1 ea. Cable, Virtual Service Charger/Modem	1	1

Part Number	Description	QTY per Assembly
1123249E-NLA See Note(s) A	WARR RPLMT - Charger, Battery, 8 Amp. 115vac (Off Board) Single Mode Round Plug w/ AC Power Line Cord, CTE Corp.	1
1109530E-NLA See Note(s) B	WARR RPLMT - Controller, MK5 NX	1
NOTE: A - See "Battery Chargers" Category for additional information. B - See "Electronics - MK5 Controllers, Programmer and Hardware (After 2/14/03)" Category for additional information.		

Invacare Corporation

www.invacare.com



Yes, you can.

One Invacare Way
Elyria, Oh USA
44036-2125
800-333-6900

Technical Support
800-832-4707
Customer Service
800-333-6900

Customer Service
800-333-6900

© 2022 Invacare Corporation. All rights reserved. Republication, duplication or modification in whole or in part is prohibited without prior written permission from Invacare. Trademarks are identified by TM and ©. All trademarks are owned by or licensed to Invacare Corporation or its subsidiaries unless otherwise noted. (Revised 08/01/22)

Form No. 01-220