

**Pronto® M6**  
**Power Wheelchair**



*Yes, you can.*

## Parts Catalog Usage Guide

The information contained in this document is subject to change without notice. This catalog contains service parts for Form No. 00-60. If you have any questions regarding this catalog, please contact one of our Customer Service Representatives.

**For Customer Service Support Call:**

**1-800-333-6900**

**For Faxed In Orders Call:**

**1-800-678-4682 or**

**1-440-366-0709**

**For Technical Service Call:**

**1-800-832-4707**

**Literature Can Be Found at:**

**[www.invacare.com](http://www.invacare.com) or**

**1-800-828-6272**

### SYMBOL DEFINITION

Throughout this catalog you will notice letters to draw your attention to specific footnotes which are located at the bottom of the page or below specified charts.

Examples:

A,B,C etc. = Special Comments

NOTE: = General information pertaining to that specific page

NLA = No Longer Available

### HARDWARE MEASUREMENTS

The measurements for the hardware will be listed as follows:

Screws, Bolts Diameter X Thread Count/Pitch X Length

Washers Inside Diameter X Outside Diameter X Thickness

Spacers Inside Diameter X Outside Diameter X Length

For your convenience, we have supplied an area for you to list your Invacare Representatives.

Name	Phone Numbers

©2022 Invacare Corporation. Elyria, Ohio. Invacare, Yes, you can., the Medallion Design, and Pronto are registered trademarks of Invacare Corporation.

# TABLE of CONTENTS

Description	Page Number
Accessories - Miscellaneous .....	31
Accessories - Power Wheelchair Tool Kit .....	33
Arms .....	10
Battery Harness - Cables & Charger .....	15
Electronics - Joystick - Controller & Cables .....	17
Frames - Front & Rear .....	4
Front Riggings - Attachment Kit - FRKTM6 .....	20
Front Riggings - Footboard Assembly (After 11/05/01) .....	19
Front Riggings - Footboard Assembly (Before 11/06/01) .....	18
Front Riggings - Footrest - PW93 .....	21
Front Riggings - Legrest - T94AA/C .....	23
Front Riggings - Legrest, Articulating - PAL4A .....	26
Front Riggings - Pivot Slide Tube & Footplates - T94AA/C and PAL4A .....	29
Motor & Gearbox Assembly .....	13
Packaging & Literature .....	3
Seat and Mounting Hardware .....	8
Shroud Covers .....	6
Wheels - Drive & Casters .....	12

# Packaging and Literature

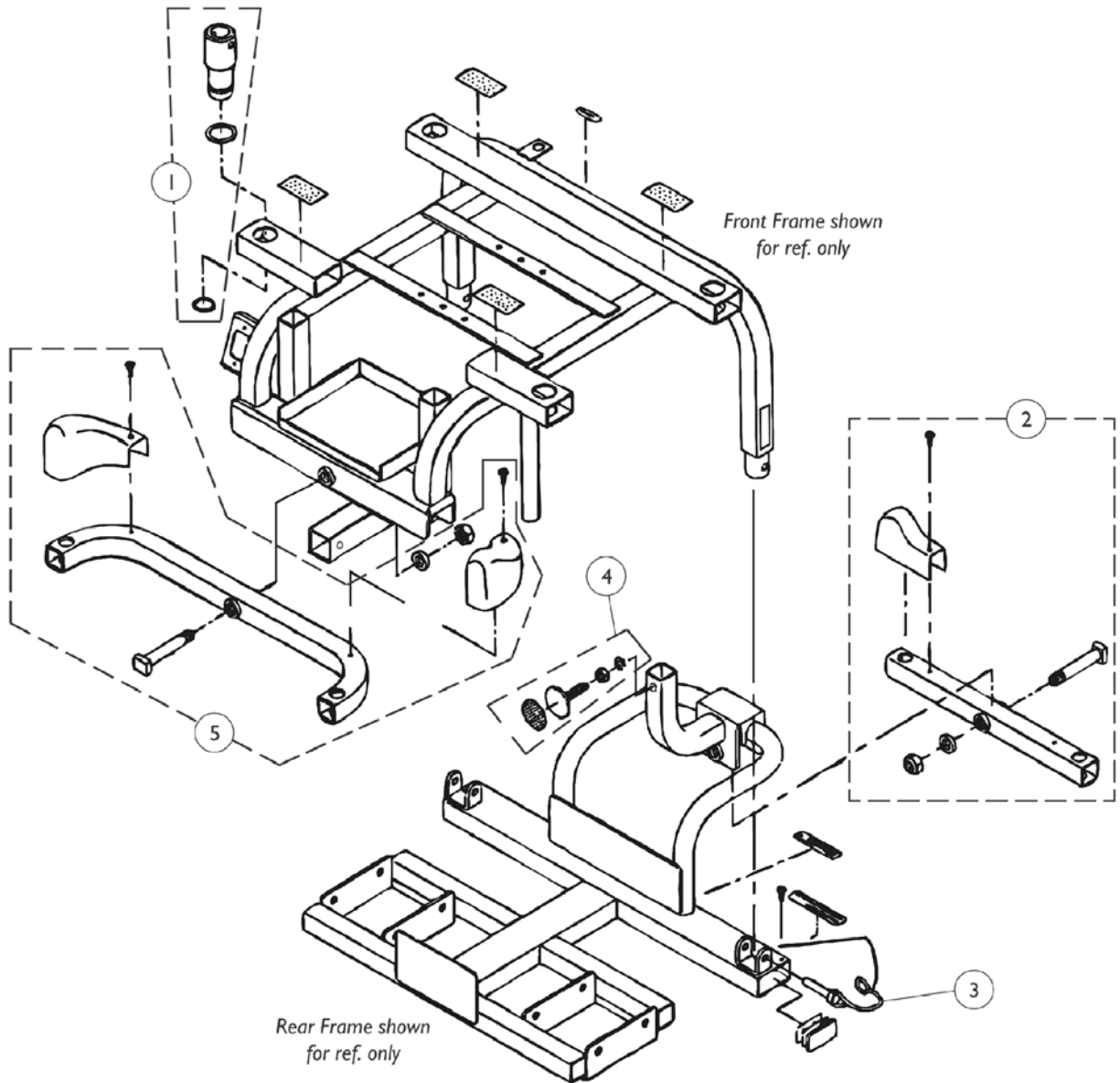
**Note: When adjusting or replacing parts, please refer to your Owner's Manual for assistance.**

Item Number	Note	Part Number	Description	Quantity Per	
				Package	Assembly
	A	1099761	Kit, Packaging Includes: Carton, Inserts and Foam.	1	1
	A	1098184-NLA	NLA - Owner's Manual, Pronto M6	1	1
	A	1102705	Paint, Touch-Up, Candy Red	1	1
	A	1101326-NLA	NLA - Paint, Touch-Up, 105P Midnight Blue	1	1
	A	1101326-NLA	NLA - Paint, Touch-Up, 105P Midnight Blue	1	1

NOTE: A - Not Shown

When adjusting or replacing parts, please refer to your Owner's Manual for assistance.

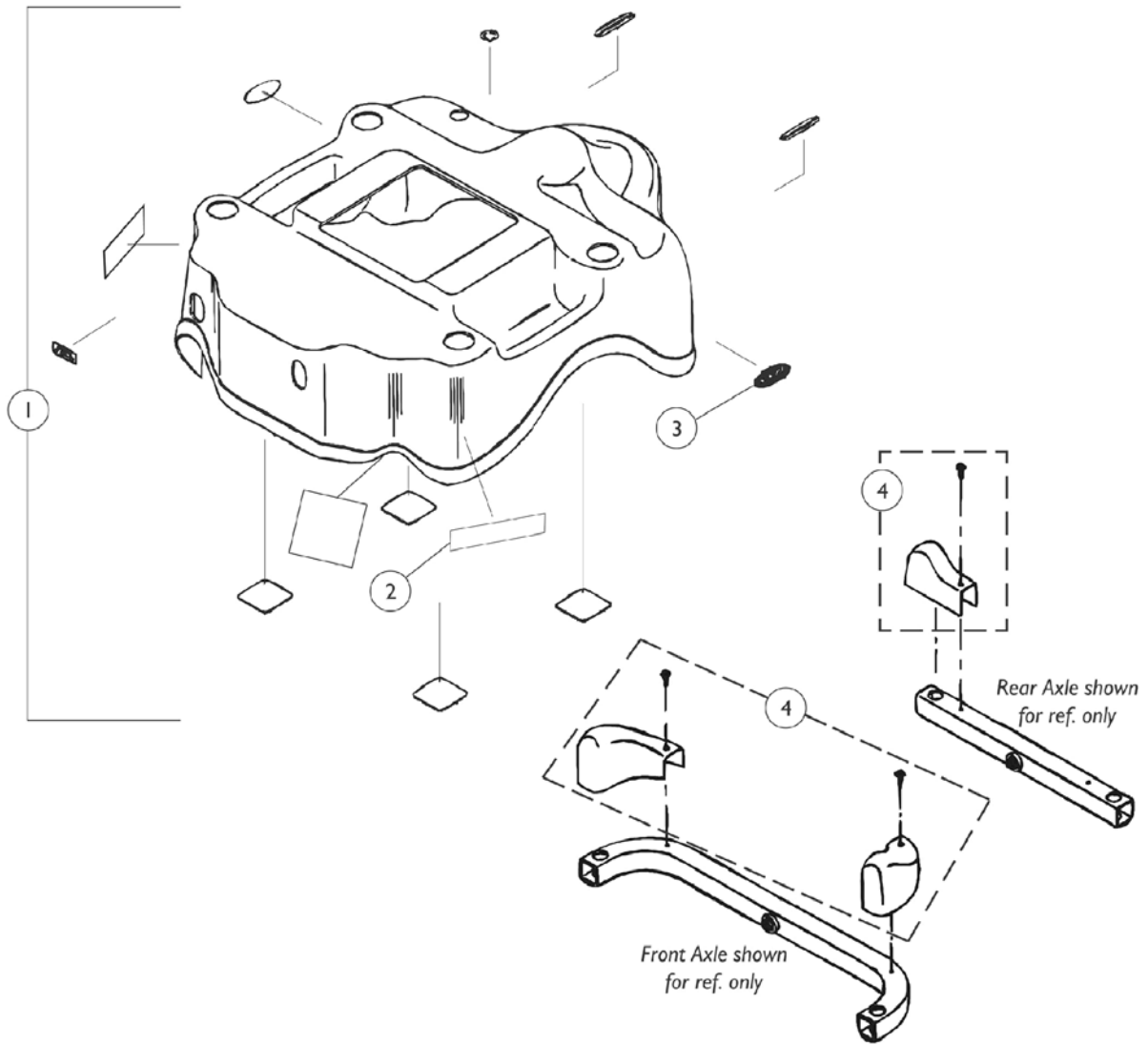
# Frame Assembly, Front and Rear



## Frame Assembly, Front and Rear

Item Number	Note	Part Number	Description	Quantity Per	
				Package	Assembly
1		1099721-NLA	NLA - Strut, Housing and Hardware Includes: 4 ea. Strut Housing, 4 ea. O-Ring, Rubber, 4 ea. Snap Ring	4	4
2		1099717-NLA	NLA - Axle Assembly (Rear) Includes: 1 ea. Axle, Rear 1 ea. Bolt, Square Head (M12 x 1.25 x 68) 1 ea. Spacer (M12 x 20 x 4.5) 1 ea. Locknut (M12 x 1.25 x 19) 2 ea. Shroud Cover, Rear Axle 2 ea. Screw, Phillips Pan Head (M4 x 12)	1	1
3		1099724-NLA	NLA - Hardware, Connecting Pin Includes: 4 ea. Connecting Pin, Frame 4 ea. Screw, Phillips Self Tap (M2 x 10)	4	4
4		1099722-NLA	NLA - Hardware, Adjustable Stop Rear Frame Includes: 1 ea. Washer, Spring (M8 x 13) 1 ea. Nut (M8 x 1.25 x 13) 1 ea. Screw, Set (M8 x 1.25 x 35) 1 ea. Fastener, Hook Adhesive Back	1	1
5		1099716-NLA	NLA - Axle Assembly (Front) Includes: 1 ea. Axle, Front 1 ea. Bolt, Square Head (M12 x 1.25 x 68) 1 ea. Spacer (12 x 20 x 4.5) 1 ea. Locknut (M12 x 1.25 x 19) 1 ea. Shroud Cover, Front Axle - Right 1 ea. Shroud Cover, Front Axle - Left 2 ea. Screw, Phillips Pan Head (M4 x 15)	1	1

# Shroud Covers

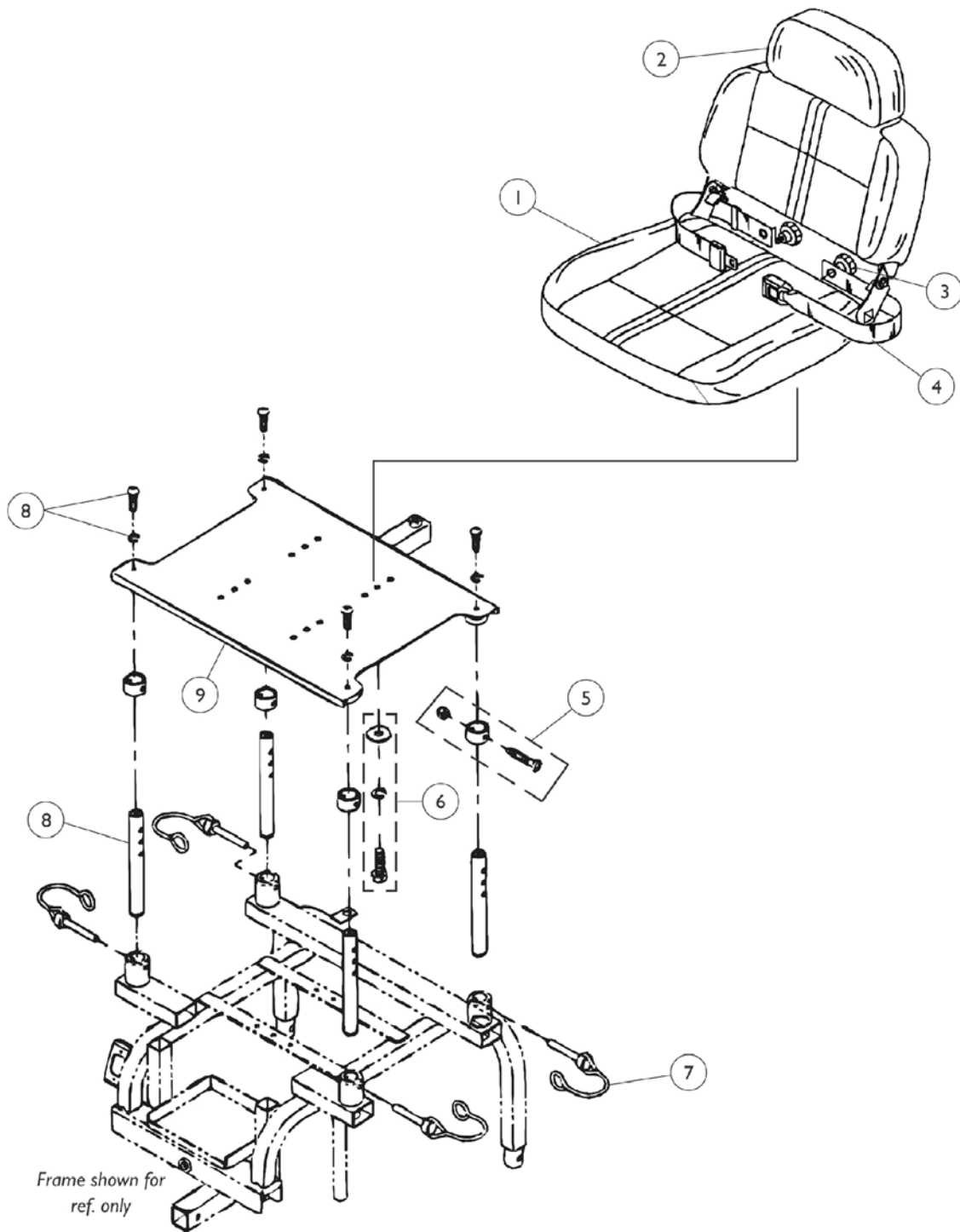


## Shroud Covers

Item Number	Note	Part Number	Description	Quantity Per	
				Package	Assembly
1		1099743-NLA	NLA - Shroud Cover Assembly with Decals, Red	1	1
1		1099745-NLA	NLA - Shroud Decal Assembly with Decals, Blue	1	1
2		1099774-NLA	NLA - Decal, Model - Pronto M6	1	2
3		1095489	Decal, Invacare 3-D Logo (2-1/2" L)	1	2
4		1099738-NLA	NLA - Kit, Shrouds w/ Screws, Front/Rear Axle Includes: (1) Shroud Cover, Front Axle - Right (1) Shroud Cover, Front Axle - Left (2) Shroud Cover, Rear Axle - Right/Left (4) Screw, Phillips Pan Head (M4 x 12)	4	4



# Seat Assembly and Mounting Hardware

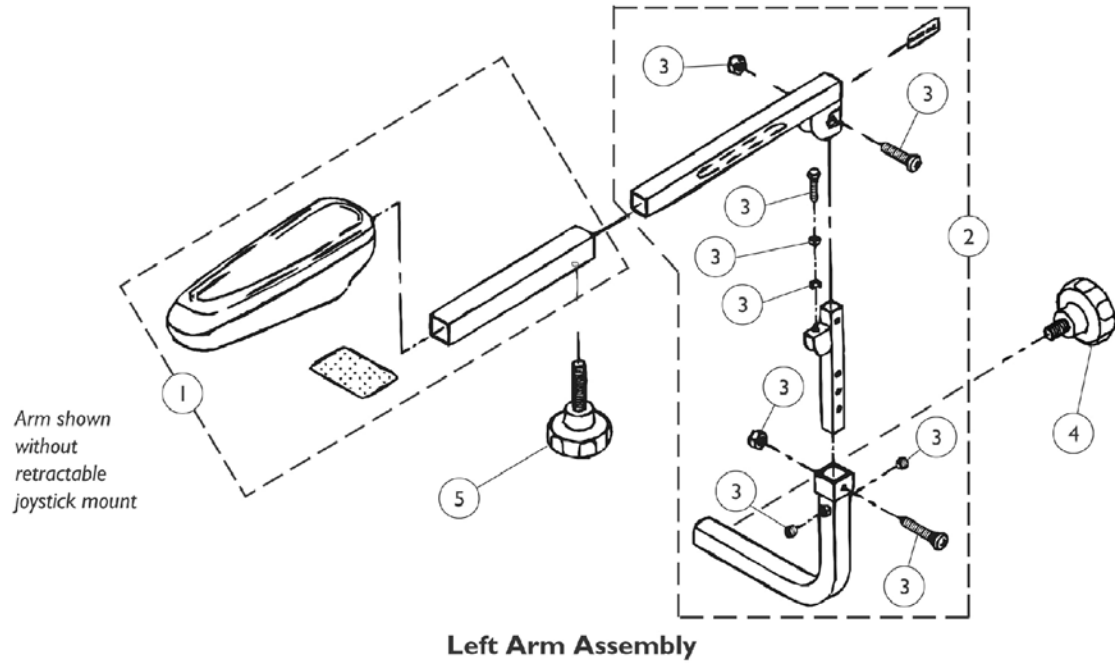
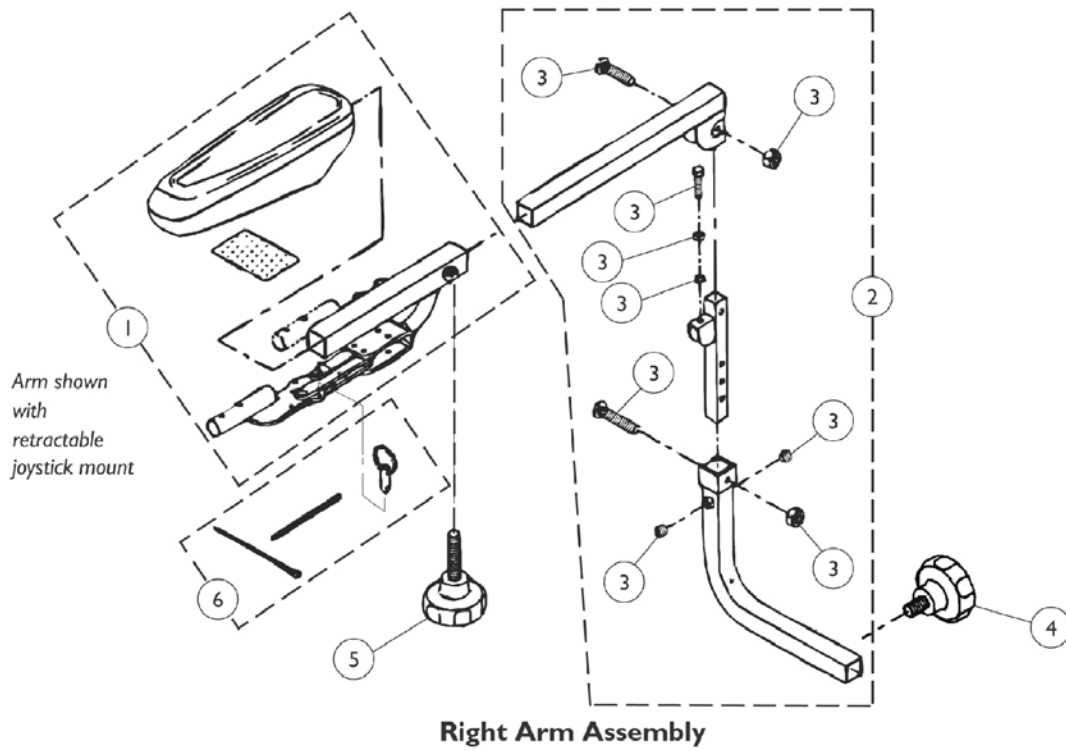


## Seat Assembly and Mounting Hardware

Item Number	Note	Part Number	Description	Quantity Per	
				Package	Assembly
1	A	1099755-NLA	NLA - Seat with Headrest Pillow, Gray Cloth - Before 3/01/01	1	1
1		1106210-NLA	NLA - Seat w/ Headrest Pillow, Vinyl, Grey - After 2/28/01	1	1
2		1099756-NLA	NLA - Pillow, Headrest, Gray Cloth (Before 3/01/01)	1	1
2		1106211-NLA	NLA - Headrest, Vinyl (Gray) - Lynx LX3/ LX3 Plus and Panther LX4/ MX4	1	1
3		1088768-NLA	NLA - Knob, Lower Arm Tightening	1	2
4		P715	Strap, Seat Positioning - All Models	1	1
5		1099737-NLA	NLA - Hardware, Seat Adjusting Collar Includes: 4 ea. Collar, Seat Adjusting 4 ea. Screw, Phillips Pan Head (M6 x 1.0 x 40) 4 ea. Locknut (M6 x 1.0 x 1.0)	4	4
6		1099758-NLA	NLA - Hardware, Seat Stand Mounting Includes: 4 ea. Washer (M8 x 22 x 2) 4 ea. Washer, Spring (M8 x 13) 4 ea. Screw, Hex Head Cap (M8 x 1.25 x 25)	4	4
7		1099763-NLA	NLA - Connecting Pin Hardware, Seat	4	4
8		1099740-NLA	NLA - Strut, Seat with Hardware Includes: 4 ea. Strut, Seat 4 ea. Washer, Spring (M8 x 13) 4 ea. Screw, Socket Head (M8 x 1.25 x 20)	4	4
9		1099757-NLA	NLA - Stand, Seat	1	1

NOTE: A - Cloth seats are NLA. As a replacement, order the vinyl seat with headrest pillow part number 1106210.

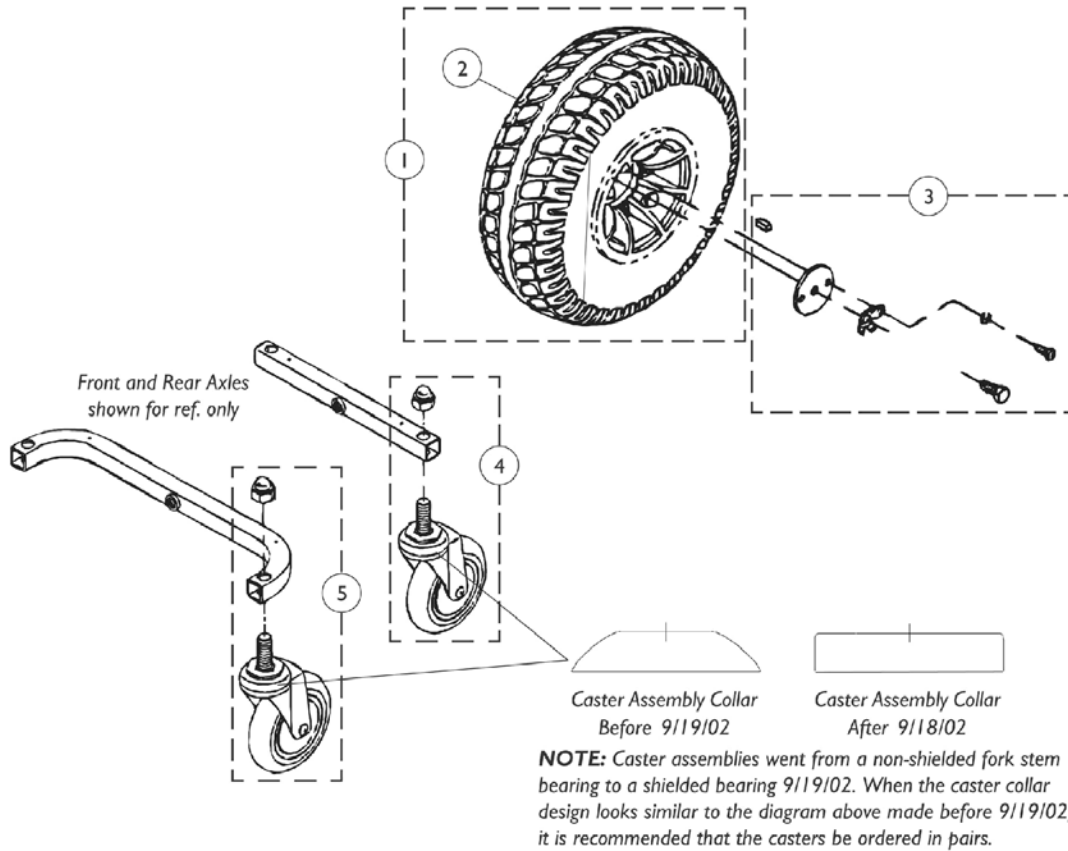
# Arm Assembly



# Arm Assembly

Item Number	Note	Part Number	Description	Quantity Per	
				Package	Assembly
1		1099748-NLA	NLA - Pad, Arm with Arm Tube Sleeve and Retractable Joystick Mount - Right	1	1
1		1099749	Pad, Arm w/ Arm Tube Sleeve and Retractable Joystick Mount - Left	1	1
1		1099747-NLA	NLA - Pad, Arm w/ Arm Tube Sleeve - Right/Left	1	1
2		1099751-NLA	NLA - Arm Assembly without Arm Pad - Right	1	1
2		1099750-NLA	NLA - Arm Assembly without Arm Pad - Left	1	1
3		1099746-NLA	NLA - Arm Hardware Package (Pair) Includes: 4 ea. Screw, Nylok Socket (M8 x 1.25 x 8) 2 ea. Screw, Phillips Head (M8 x 1.25 x 40) 4 ea. Locknut (M8 x 1.25 x 13) 2 ea. Screw, Phillips Head (M8 x 1.25 x 32) 2 ea. Washer, Spring (M8 x 13) 2 ea. Nut (M8 x 1.25 x 13) 2 ea. Screw, Hex Head Cap (M8 x 1.25 x 35)	2	2
4	A	1088768-NLA	NLA - Knob, Lower Arm Tightening	1	1
5	B	1088769-NLA	NLA - Knob, Upper Arm Tightening	1	1
6		1099769-NLA	NLA - Hardware, Connecting Pin Retractable Joystick Mount Includes: 5 ea. Connecting Pin 5 ea. Chain 5 ea. Cable Tie	5	5
NOTE: A - Width adjustment. B - Depth adjustment.					

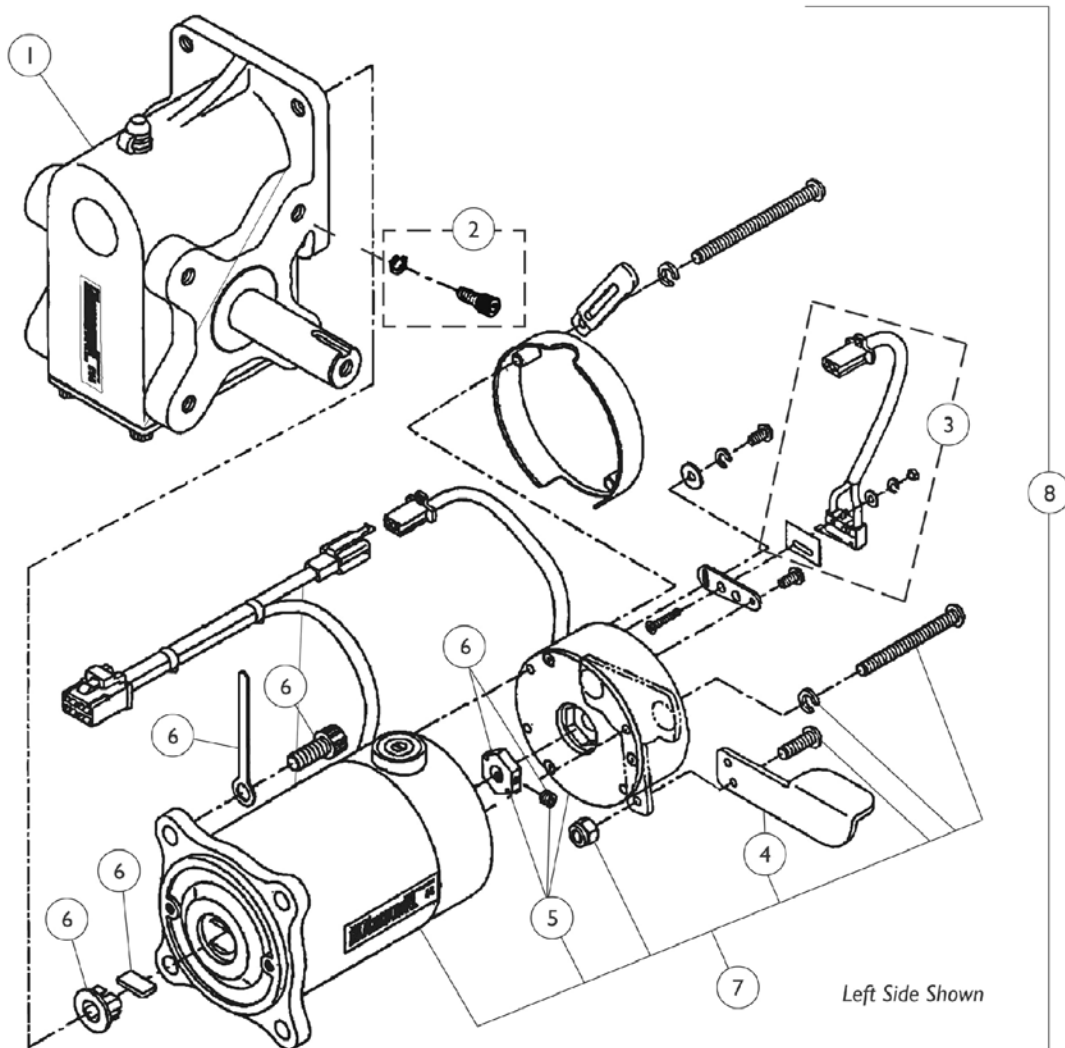
# Drive Wheels and Casters



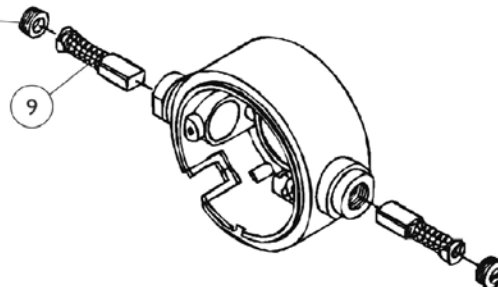
Item Number	Note	Part Number	Description	Quantity Per	
				Package	Assembly
1		1099771-NLA	NLA - Wheel Assembly, Rear (10 x 3.50) - Black Rim	1	1
2		1088720-NLA	NLA - Tire w/ Foam Fill Insert, Rear, Grey (8" x 2")	1	1
3		1099739-NLA	NLA - Hardware, Rear Wheel Mounting Includes: 1 ea. Key 1 ea. Washer (M8 x 45 x 3) 1 ea. Washer, Locking Tab 2 ea. Washer, Spring (M6 x 10) 2 ea. Screw, Phillips Pan Head (M6 x 1.0 x 16) 1 ea. Screw, Hex Head Cap (M8 x 1.25 x 20)	1	1
4	A	1115709-NLA	NLA - Caster with Nut, Rear (5")	1	1
4	A	1115777-NLA	NLA - Caster with Nut, Rear (5")	2	1
5	A	1115710-NLA	NLA - Caster with Nut, Front (6")	1	1
5	A	1115778-NLA	NLA - Caster with Nut, Front (6")	2	1

NOTE: A - Casters are covered under warranty for a period of 1 year.

# Motor and Gearbox Assembly



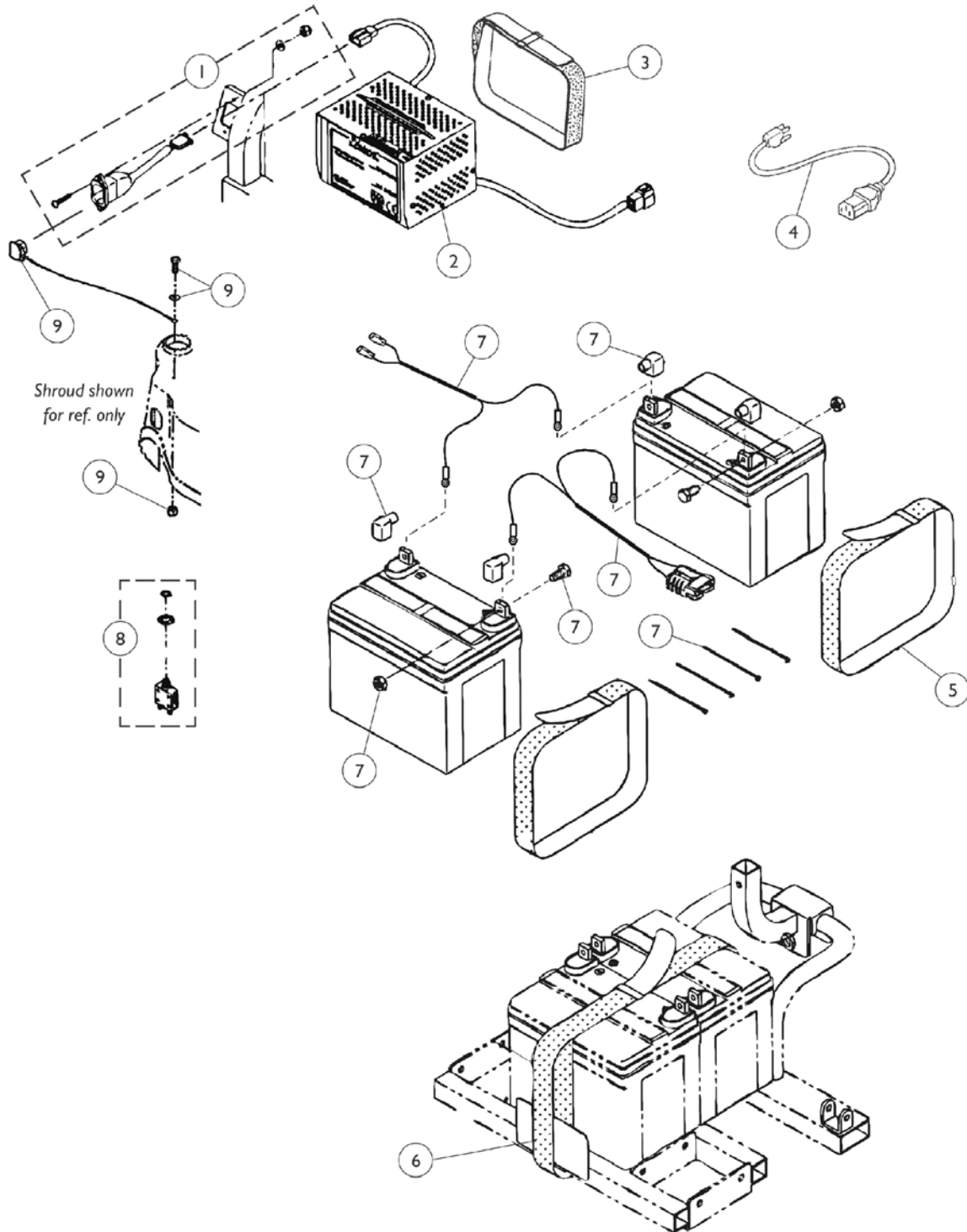
Motor Brush Cap  
shown for ref. only



## Motor and Gearbox Assembly

Item Number	Note	Part Number	Description	Quantity Per	
				Package	Assembly
1		1099727-NLA	NLA - Gearbox - Right	1	1
1		1099726-NLA	NLA - Gearbox - Left	1	1
2		1099728-NLA	NLA - Hardware, Gearbox Mounting Includes: 8 ea. Washer, Spring (M8 x 13) 8 ea. Screw, Socket Head (M8 x 1.25 x 20)	8	8
3		1099733-NLA	NLA - Switch Assembly with Hardware Includes: 1 ea. Switch, 1 ea. Paper, Switch, 2 ea. Washer (2.2 x 5 x 0.5), 2 ea. Washer, Spring (2.1 x 4.3 x 0.7) 2 ea Nut (M2 x 0.4 x 6)	1	1
4		1099732-NLA	NLA - Handle, Free Wheel, Right	1	1
4		1099731-NLA	NLA - Handle, Free Wheel, Left	1	1
5		1099730-NLA	NLA - Brake, Motor with Axle	1	1
6		1099725-NLA	NLA - Package, Hardware, Motor/ Gearbox Includes: 1 ea. Plate, Motor Cable Tie Down 4 ea. Screw, Socket Head (M8 x 1.25 x 20) 1 ea. Plate, Bushing 1 ea. Bushing 1 ea. Driving Axle, Disc Brake with Set Screw	1	1
7		1099741-NLA	NLA - Motor/ Brake Assembly - Right	1	1
7		1099729-NLA	NLA - Motor/ Brake Assembly - Left	1	1
8		1099735-NLA	NLA - Motor/ Gearbox Assembly, Right	1	1
8		1099734-NLA	NLA - Motor/ Gearbox Assembly, Left	1	1
9		1099736-NLA	NLA - Brush, Motor (Pair)	2	2

# Battery Harness, Cables and Charger

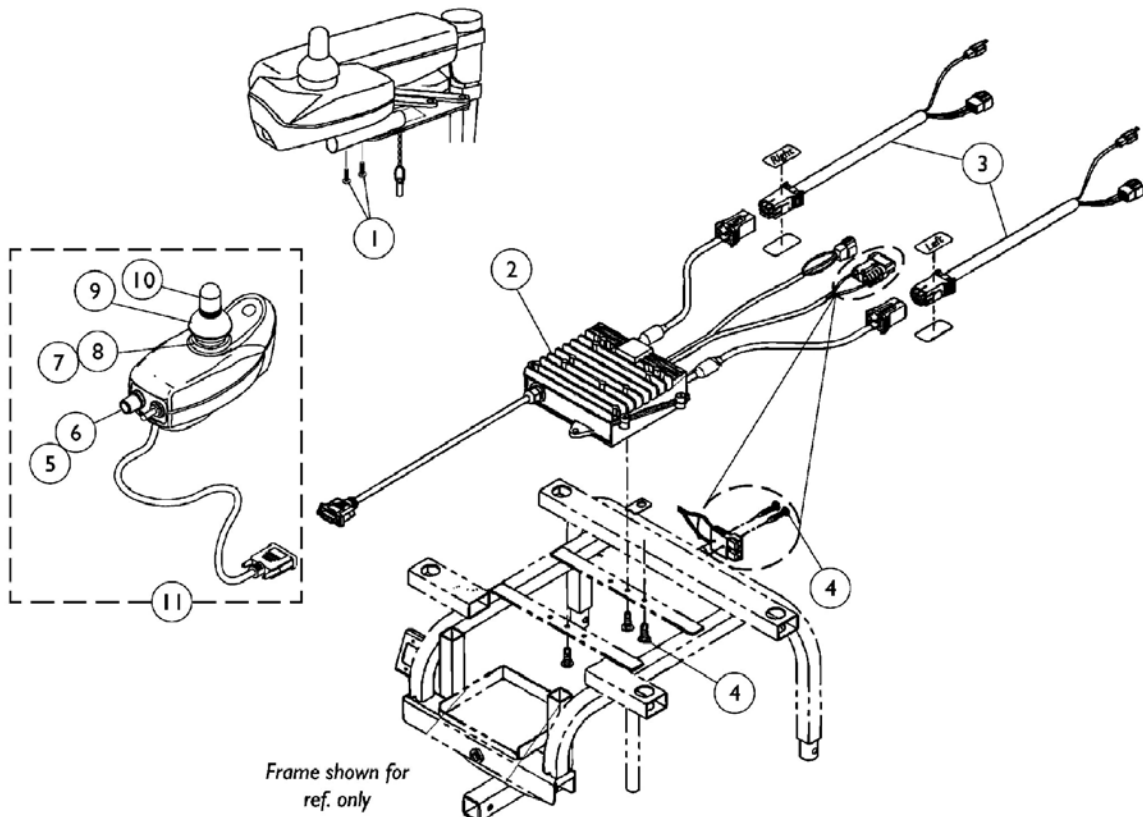




## Battery Harness, Cables and Charger

Item Number	Note	Part Number	Description	Quantity Per	
				Package	Assembly
1		1099754-NLA	NLA - Charging Cable, On Board with Hardware (Lynx SX3/ LX3/ LX3 Plus and Panther MX4) Includes: (1) Charging Cable, (2) Screw, Phillips Pan Head (M3 x 0.5 x 16) 2 ea. Washer (3.2 x 10 x 0.8) 2 ea. Locknut (M3 x 0.5 x 6) 2 ea. Cable Tie 1 ea. Tube, PVC (19 x 20 x 260L)	1	1
2	A	1099753-NLA	NLA - Charger, Battery, On-Board	1	1
2	B	1053161-NLA	NLA - Charger, Battery, 8 Amp, 115vac, Off Board Dual Mode Round Plug, Lester	1	1
3		1099744-NLA	NLA - Strap, Fastening - On-Board Charger	1	1
4		1088745-NLA	NLA - Cord, Charger, AC	1	1
5		1088742-NLA	NLA - Strap, Carrying, Battery	1	2
6		1099760-NLA	NLA - Strap, Fastening - Battery	1	1
7		1099752-NLA	NLA - Harness, Power Connector, Circuit Breaker Cables and Hardware Includes: 1 ea. Harness Power Connector 2 ea. Cover, Battery Terminal (Red) 2 ea. Cover, Battery Terminal (Black) 1 ea. Cable, Circuit Breaker (Red) 1 ea. Cable, Circuit Breaker (Black) 1 ea. Tube, Snake (10 x 110L) 1 ea. Tube, Snake (10 x 95L) 4 ea. Screw, Hex Head Cap (M6 x 1.0 x 12) 4 ea. Hexnut (M6 x 1.0 x 10) 4 ea. Cable Tie	1	1
8		1088748-NLA	NLA - Circuit Breaker (30 AMP) - Lynx SX3P/ SX3/ LX3/ LX3 Plus, Panther LX4 and Zoom-3	1	1
9		1099772-NLA	NLA - Charger Cable Cover Assembly Includes: 1 ea. Cover, Charger Cable 1 ea. Screw, Phillips Pan Head (M4 x 0.7 x 12) 1 ea. Washer (M4 x 9 x 1) 1 ea. Locknut (M4 x 0.7 x 7)	1	1
<p>NOTE: A - (On-Board) Battery Charger #1099753 is no longer available. Use the (Off Board) Charger part #1053161 as a replacement. B - Use Battery Charger part number 1123249 as a replacement.</p>					

# Electronics



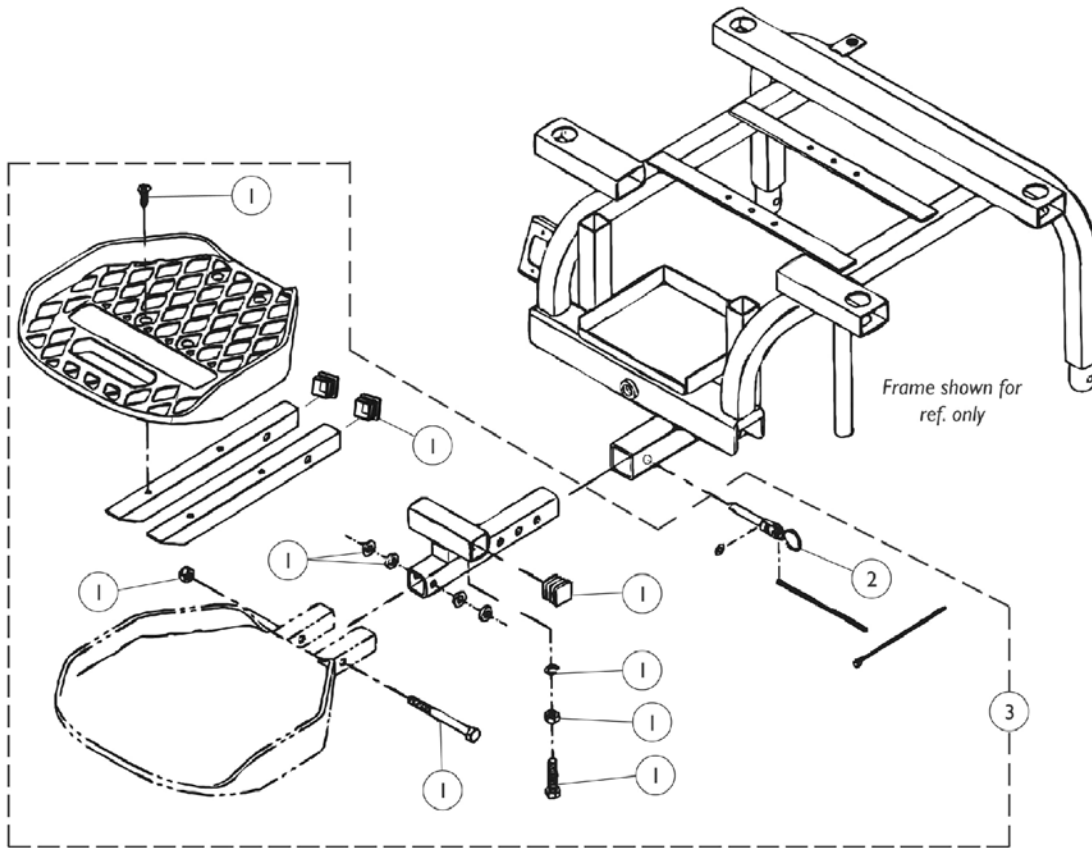
Frame shown for  
ref. only

Item Number	Note	Part Number	Description	Quantity Per	
				Package	Assembly
1		1099767-NLA	NLA - Screw, Phillips Pan Head (#10-32 x 1/2")	10	2
2		1098644-NLA	NLA - Controller, MKIV	1	1
3		1099742-NLA	NLA - Cable, Motor/ Brake w/ Right and Left Decals (Pair)	2	2
4	B	1099768-NLA	NLA - Controller Mounting Hardware	1	1
5		1040225-NLA	NLA - Potentiometer, Speed	1	1
6		1025516-NLA	NLA - Knob, Speed Control	1	1
7		50000X364-NLA	NLA - Boot, Joystick	1	1
8		1036764-NLA	NLA - Inductive, Joystick	1	1
9		1040218	Skirt, Joystick Rubber, Black	1	1
10		1040217	Knob, Joystick Rubber, Black	1	1
11	A	1092610-NLA	NLA - Joystick, RII	1	1

NOTE: A - To mount joystick on left side, see arm assembly page item 1.  
B - Includes: (3) Screw, Phillips Pan Head (#8-36 x 1/2"), (2) Screw, Phillips Pan Head (1/8 x 3/4").

# Footboard Assembly

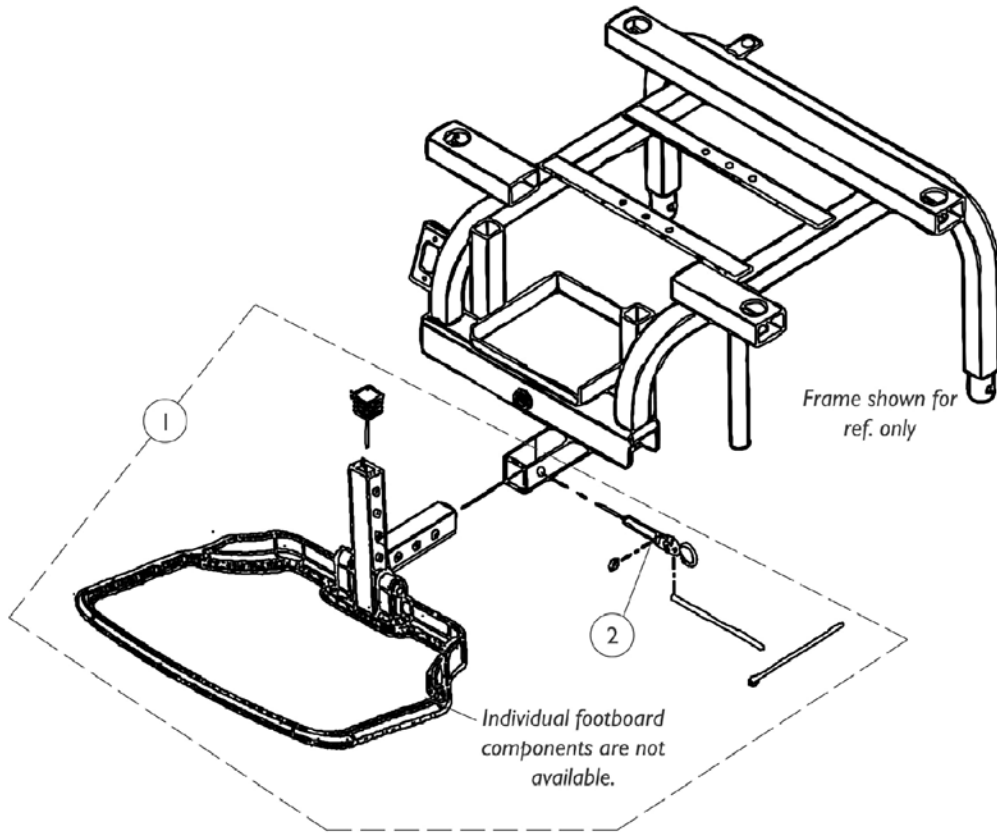
## Before 11/06/01



Item Number	Note	Part Number	Description	Quantity Per	
				Package	Assembly
1		1099770-NLA	NLA - Footboard Hardware Includes: 4 ea. Screw, Phillips Head w/Patch (M6 x 1.0 x 20) 4 ea. Washer (8.2 x 15.8 x 3) 1 ea. Bolt, Hex Head Cap (M8 x 1.25 x 85) 1 ea. Locknut (M8 x 1.25 x 35) 2 ea. Washer, Spring (M8 x 13) 2 ea. Nut (M8 x 1.25 x 13) 2 ea. Screw, Hex Head Cap (M8 x 1.25 x 35) 2 ea. Plug Button, Square (3/4 x 3/4") 2 ea. Plug Button, Square (5/8 x 5/8")	1	1
2		1099715-NLA	NLA - Pin, Safety	4	1
3		1110986-NLA	NLA - Footboard Assembly	1	1

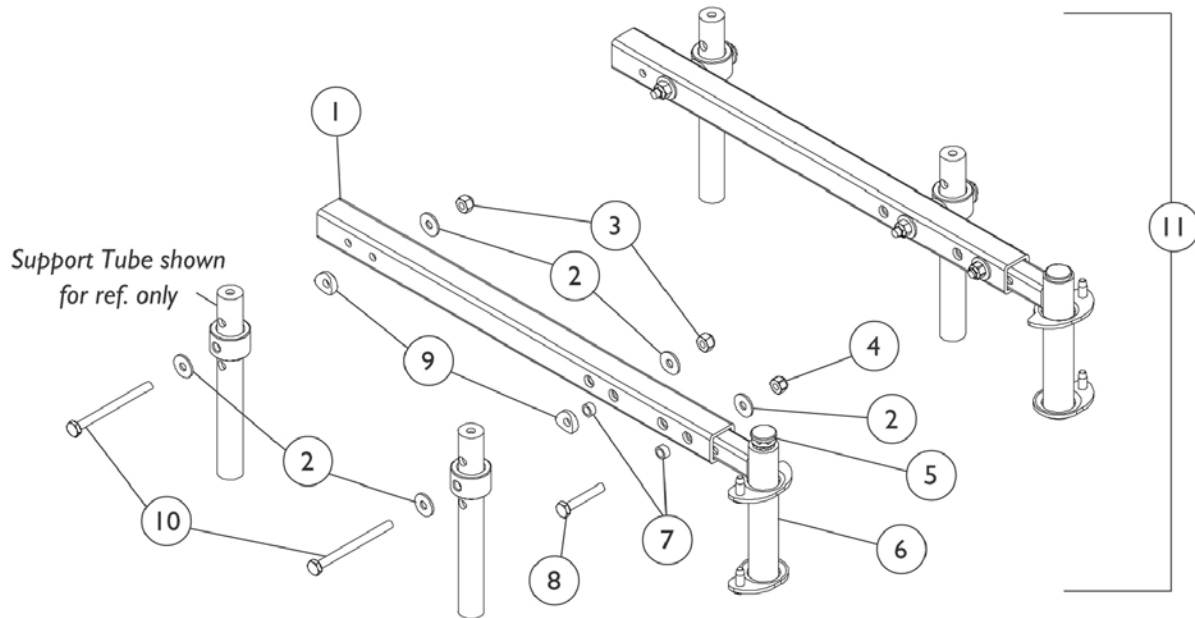
# Footboard Assembly

## After 11/05/01



Item Number	Note	Part Number	Description	Quantity Per	
				Package	Assembly
1		1099714-NLA	NLA - Footboard Assembly Includes: 1 ea. Footboard with Rubber Pad 1 ea. Adjustment Tube, Footboard 2 ea. Washer (8.2 x 15.8 x 3) 1 ea. Safety Pin 1 ea. Cable Tie 1 ea. Nut (M8 x 1.25 x 13) 1 ea. Screw, Hex Head Cap (M8 x 1.25 x 25) 2 ea. Plug Buttons, Ball 1 ea. Screw, Hex Head Cap (M8 x 1.25 x 60)	1	1
2		1099715-NLA	NLA - Pin, Safety	4	1

# Front Riggngs Attachment Kit (FRKTM6)

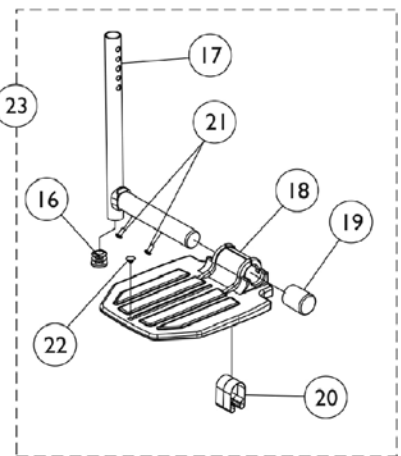
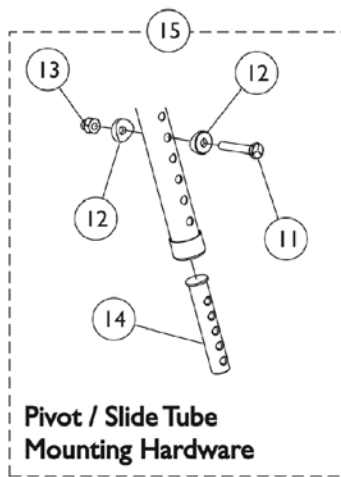
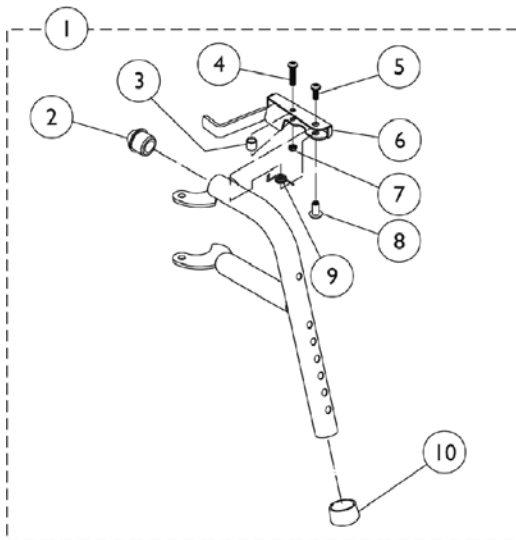


Item Number	Note	Part Number	Description	Quantity Per	
				Package	Assembly
1		1107807-NLA	NLA - Tube, Support, Front Rigging, Black	1	2
2		1026900	Washer (1/4 x 23/32 x 1/16")	1	10
3		7930345	Locknut (1/4-28)	25	4
4		7930333	Locknut (1/4-20)	25	2
5		1027097	Plug Button, Black (3/4")	1	2
6		1078020-NLA	NLA - Hanger, Front Rigging, Pin Style, Black - Right	1	1
6		1078021-NLA	NLA - Hanger, Front Rigging, Pin Style, Black - Left	1	1
7		1047449-NLA	NLA - Spacer (1/4 x 3/8 x 3/16")	1	4
8		1030949	Screw, Hex Head (1/4-20 x 1-1/2")	1	2
9		1026099	Spacer, Coved (1/4 x 11/16 x 1/2")	1	4
10		1059374	Screw, Hex Head (1/4-28 x 3")	1	4
11		1107808-NLA	NLA - Kit, Front Rigging Attachment with Instruction Sheet	1	1
	A	1106633-NLA	NLA - Instruction Sheet, Front Rigging Attachment Kit	2	1

NOTE: A - Not Shown

# PW93 Footrest

Heel loops are not included. See accessories page.



# PW93 Footrest

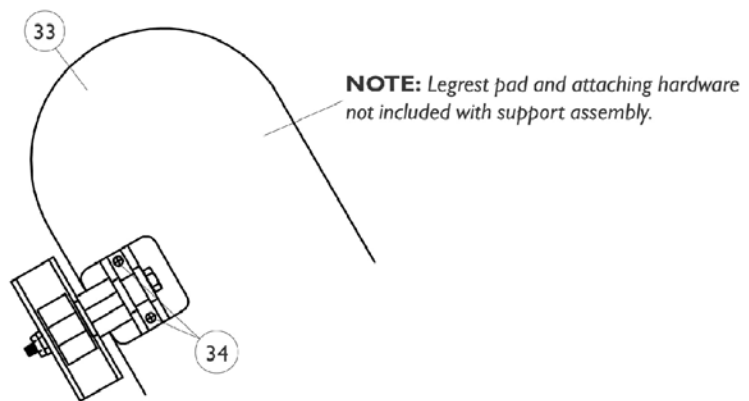
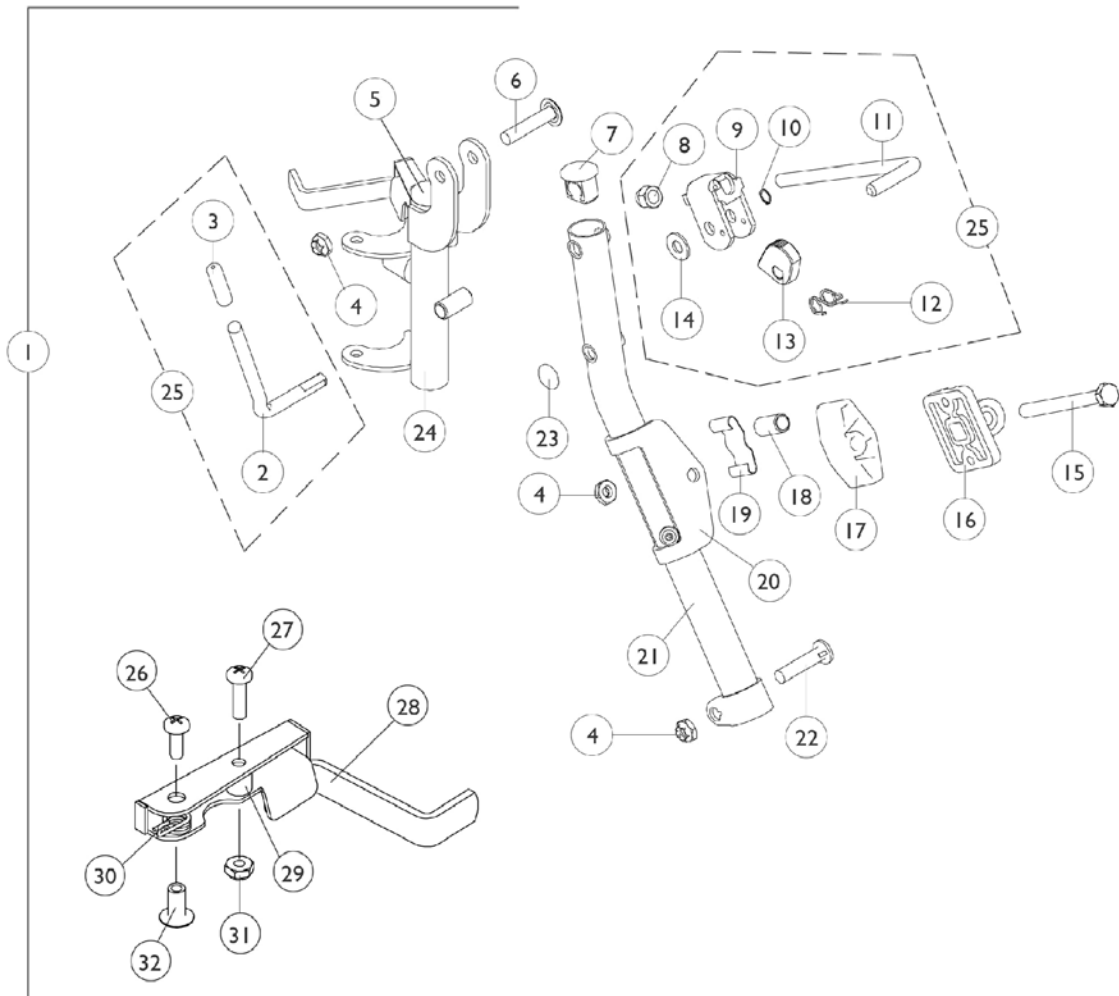
Heel loops are not included. See accessories page.

Item Number	Note	Part Number	Description	Quantity Per	
				Package	Assembly
1	A	8881070776	Footrest Support Assembly, Adult, Color - Right	1	1
1	A	8881070777	Footrest Support Assembly, Adult, Color - Left	1	1
2		1020719	Anti-Rattle, Black	1	1
3		47565X057	Bushing (7/32 x 3/8 x 11/32")	1	1
4		1025716	Screw, Phillips Pan Head (#10-32 x 11/16")	1	1
5		1026114	Screw, Phillips Pan Head (#10-32 x 1/2")	1	1
6		1035539	Handle, Release, Black - Right	1	1
6		1035540	Handle, Release, Black - Left	1	1
7		1025735	Locknut (#10-32)	1	1
8		1028846-NLA	NLA - Rivnut (#10-32)	1	1
9		1028707	Spring, Release - Right	1	1
9		1028708	Spring, Release - Left	1	1
10		15680X012	Collar, Anti-Rattle (7/8")	1	1
11		1070759	Screw, Hex Head (1/4-20 x 1-1/2")	1	1
12		1026099	Spacer, Coved (1/4 x 11/16 x 1/2")	1	2
13		1044214	Nut, Hex with Nylon Cap (1/4-20)	1	1
14	B	1020534	Insert, Threaded	1	1
15		1074143	Kit, Slide Tube Mounting Hardware	1	1
16		1027097	Plug Button, Black (3/4")	1	1
17		1048834	Pivot/Slide Tube w/ Plug Button, Black	1	1
18		44200X027	Footplate, Aluminum, Medium, Black (7-3/4" W x 6" L)	1	1
19		1016346	Cap, End, Tube, Black (7/8")	1	1
20		1006981	Spring, Tension	1	2
21		40120X001	Screw, Phillips Pan Head (#8-32 x 3/8")	1	1
22		1070168	Plug, Push, Footplate	1	1
23		1074149	Pivot/Slide Tube Assembly w/ Aluminum Footplate, Black - Right	1	1
23		1074150	Pivot/Slide Tube Assembly w/ Aluminum Footplate, Black - Left	1	1

NOTE: A - Specify 24P black frame color when ordering.  
 B - As of 8/15/03, the Threaded Insert was revised from 3 to 5 Holes. Threaded Insert is Backward Compatible and does not require ordering in Pairs.

# T94AA/C Legrest

Due to a change to the Legrest Calf Pad size made on 4/23/12, you must also order the hardware kit (1066591) when ordering replacement Calf Pads.





# T94AA/C Legrest

**Due to a change to the Legrest Calf Pad size made on 4/23/12, you must also order the hardware kit (1066591) when ordering replacement Calf Pads.**

Item Number	Note	Part Number	Description	Quantity Per	
				Package	Assembly
1	C,G	1031579-NLA	NLA - Legrest Support Assembly, Adult, Silver Vein - Right	1	1
1	C,G	1031580-NLA	NLA - Legrest Support Assembly, Adult, Chrome - Left	1	1
2		1037126	Handle, Release	1	1
3		1040060	Tip, Plastic, Black	1	1
4		7930363-NLA	NLA - Package, Locknut (5/16"-24)	25	3
5		1027095	Plug Button, Black (7/8")	1	1
6		1030948	Screw, Slotted Truss Head (5/16-24 x 1-1/2")	1	1
7		1095433	Plug Button, Black (7/8")	1	1
8		7930336-NLA	NLA - Nut, Acorn (5/16-24)	25	1
9		04528X002	Bracket, Release, Black	1	1
10		1040831	Ring, Snap	1	1
11		42326X001	Bar, Ratchet	1	1
12		1037485	Spring, Release	1	1
13		1037125	Cam, Legrest	1	1
14		7930310-NLA	NLA - Washer, Nylon (5/16 x 11/16 x 1/16")	25	1
15		1014807	Screw, Hex Head (5/16-24 x 3-1/4")	1	1
16		04526X019	Plate, Legrest Pad	1	1
17		1091220	Spacer, Legrest	1	1
18		47328X003	Bushing, Pivot (5/16 x 7/16 x 7/8")	1	1
19		48823X008	Spring, Leaf	1	1
20		1025104	Bracket, Legrest, Chrome	1	1
21	A,E	1031358-NLA	NLA - Tube, Support, Legrest, Elevating, Chrome - Right	1	1
21	A,E	1031359-NLA	NLA - Tube, Support, Legrest, Elevating, Chrome - Left	1	1
21	F	1149473-NLA	NLA - Tube, Support, Legrest, Elevating, Silver Vein - Right	1	1
21	F	1149474-NLA	NLA - Tube, Support, Legrest, Elevating, Silver Vein - Left	1	1
22		11232X009	Bolt, Lug (5/16-24 x 1-3/8")	1	1
23		1096773	Nut, Push Dome (5/16")	1	1
24		1031581-NLA	NLA - Legrest Support Tube Assembly, Adult, Black - Right	1	1
24		1031582	Legrest Support Tube Assembly, Adult, Black - Left	1	1
25	D	1046328-NLA	NLA - Kit, Ratchet	2	1
26		1025716	Screw, Phillips Pan Head (#10-32 x 11/16")	1	2
27		1026114	Screw, Phillips Pan Head (#10-32 x 1/2")	1	1
28		1035539	Handle, Release, Black - Right	1	1
28		1035540	Handle, Release, Black - Left	1	1
29		47565X057	Bushing (7/32 x 3/8 x 11/32")	1	1
30		1028707	Spring, Release - Right	1	1
30		1028708	Spring, Release - Left	1	1

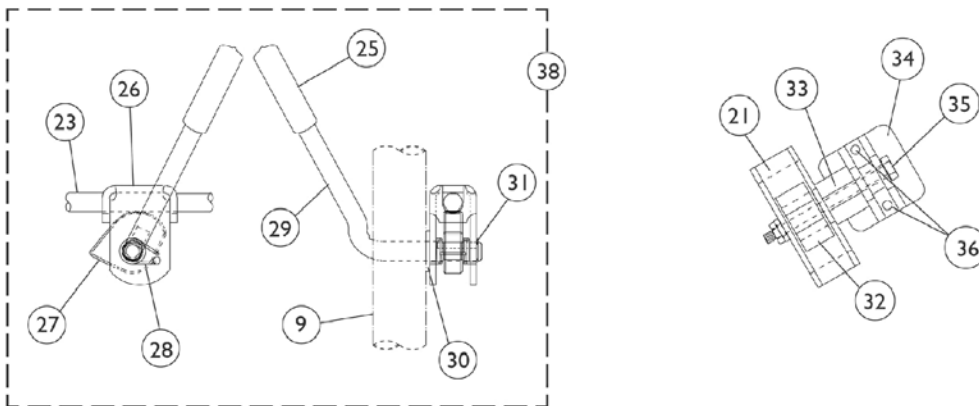
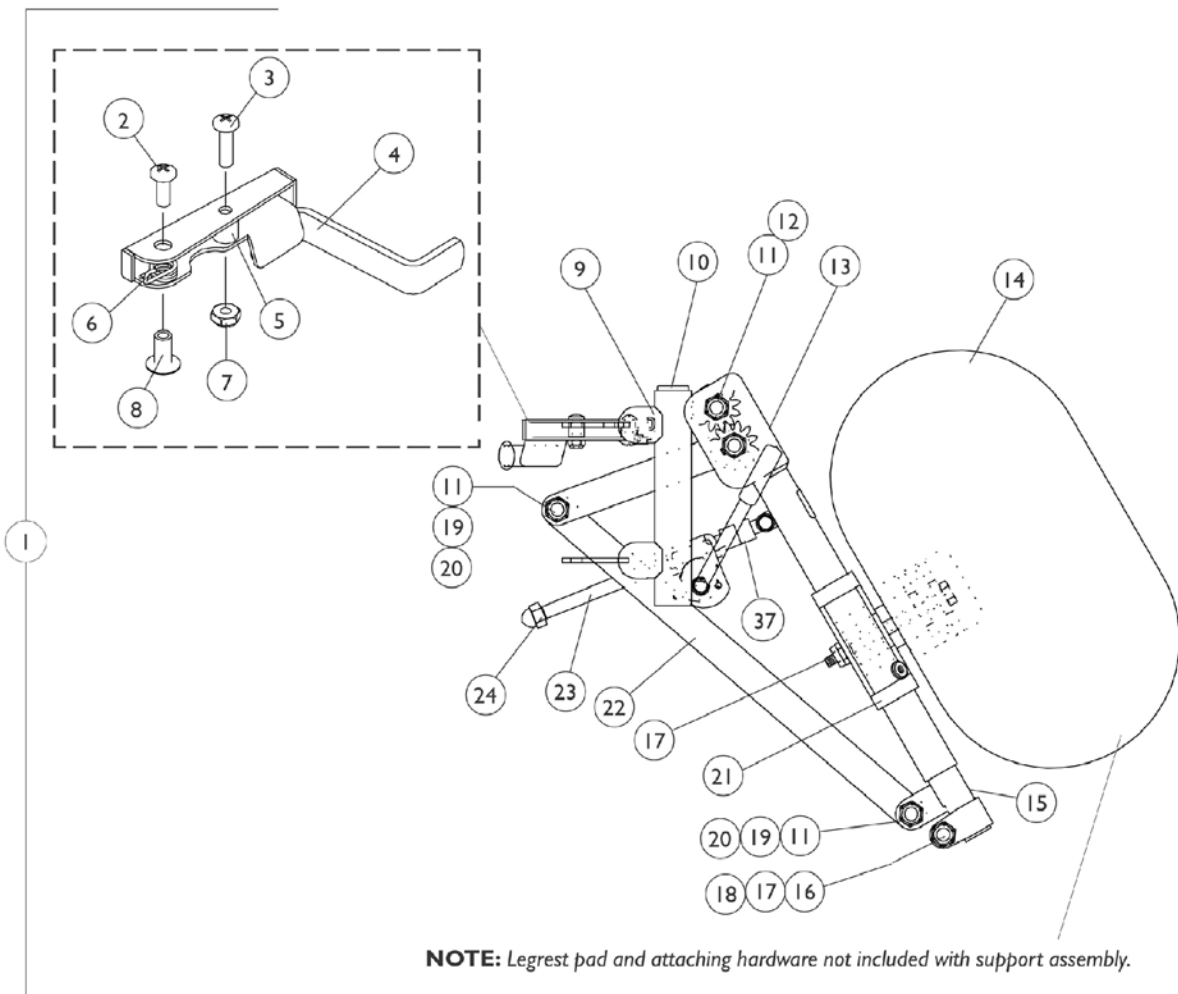
# T94AA/C Legrest

**Due to a change to the Legrest Calf Pad size made on 4/23/12, you must also order the hardware kit (1066591) when ordering replacement Calf Pads.**

Item Number	Note	Part Number	Description	Quantity Per	
				Package	Assembly
31		1025735	Locknut (#10-32)	1	1
32		1028846-NLA	NLA - Rivnut (#10-32)	1	1
33	B,J	8881091700	Pad, Legrest	1	1
34	H	1066591	Hardware, Legrest Pad	1	1
			Screw, Phillips Pan Head (#10-32 x 11/16")	1	2
			Screw, Phillips Pan Head (#10-32 x 1")	1	2
			Instruction Sheet, Legrest Pad Mtg.	1	1
NOTE: A - Due to product improvement, item 5 must also be ordered. B - Specify U05 black light weight vinyl upholstery when ordering. C - Includes items 2-24. D - Includes items 2, 3 and 8-14. E - Before 7/6/07 F - After 7/5/07 G - After 7/5/07 Color changed from chrome to silver vein. It is recommended to order in pairs to match H - Includes Screws and Instruction Sheet. J - Due to a change to the Legrest Calf Pad size made on 4/23/12, you must also order the hardware kit (1066591) when ordering replacement Calf Pads.					

# PAL4A Articulating Legrest

Due to a change to the Legrest Calf Pad size made on 4/23/12, you must also order the hardware kit (1066591) when ordering replacement Calf Pads.



## PAL4A Articulating Legrest

Due to a change to the Legrest Calf Pad size made on 4/23/12, you must also order the hardware kit (1066591) when ordering replacement Calf Pads.

Item Number	Note	Part Number	Description	Quantity Per	
				Package	Assembly
1		1058482-NLA	NLA - Legrest Support Assembly, Articulating, Adult, Chrome - Right	1	1
1		1058483-NLA	NLA - Legrest Support Assembly, Articulating, Adult, Chrome - Left	1	1
2		1025716	Screw, Phillips Pan Head (#10-32 x 11/16")	1	1
3		1026114	Screw, Phillips Pan Head (#10-32 x 1/2")	1	1
4		1035539	Handle, Release, Black - Right	1	1
4		1035540	Handle, Release, Black - Left	1	1
5		47565X057	Bushing (7/32 x 3/8 x 11/32")	1	1
6		1028707	Spring, Release - Right	1	1
6		1028708	Spring, Release - Left	1	1
7		1025735	Locknut (#10-32)	1	1
8		1028846-NLA	NLA - Rivnut (#10-32)	1	1
9		1058478-NLA	NLA - Tube, Legrest Support - Right	1	1
9		1058479-NLA	NLA - Tube, Legrest Support - Left	1	1
10		1027097	Plug Button, Black (3/4")	1	1
11		40363X000	Hex Nut (3/8"-16)	1	3
12		1022854-NLA	NLA - Screw, Shoulder Slotted Head (1/2 x 1-1/8", 3/8-16)	1	1
13		1022877-NLA	NLA - Tube, Support and Drive Link, Chrome - Right	1	1
13		1022878-NLA	NLA - Tube, Support and Drive Link, Chrome - Left	1	1
14	A,C	8881091764	Pad, Legrest, Vinyl - Right/Left	1	1
15		1022848	Tube, Slide, Articulating, Chrome - Right	1	1
15		1022849	Tube, Slide, Articulating, Chrome - Left	1	1
16		1027377	Washer (#20)	1	1
17		60264X001	Locknut (5/16-24)	1	1
18		11232X009	Bolt, Lug (5/16-24 x 1-3/8")	1	1
19		1022866-NLA	NLA - Screw, Socket Button Head (3/8-16 x 3/4")	1	2
20		1049527	Washer, Nylon (3/8 x 3/4 x 1/16")	1	2
21		1025104	Bracket, Legrest, Chrome	1	1
22		1022846-NLA	NLA - Bar, Link, Black	1	1
23		1023811-NLA	NLA - Bar, Ratchet - Right	1	1
23		1023812-NLA	NLA - Bar, Ratchet - Left	1	1
24		10261X000	Nut, Acorn (5/16-24)	1	1
25		1040060	Tip, Plastic, Black	1	1
26		04528X002	Bracket, Release, Black	1	1
27		1037125	Cam, Legrest	1	1
28		1037485	Spring, Release	1	1
29		1037126	Handle, Release	1	1
30		1013519	Washer, Nylon (5/16 x 11/16 x 1/16")	1	1
31		1040831	Ring, Snap	1	1
32		48823X008	Spring, Leaf	1	1

## PAL4A Articulating Legrest

**Due to a change to the Legrest Calf Pad size made on 4/23/12, you must also order the hardware kit (1066591) when ordering replacement Calf Pads.**

Item Number	Note	Part Number	Description	Quantity Per	
				Package	Assembly
38		1046331-NLA	NLA - Kit, Articulating Legrest Ratchet Hardware (Pair)	2	1
33		1025133	Spacer, Legrest Pad, Black	1	1
34		04526X019	Plate, Legrest Pad	1	1
35		1014807	Screw, Hex Head (5/16-24 x 3-1/4")	1	1
36	B	1066591	Hardware, Legrest Pad	1	1
			Screw, Phillips Pan Head (#10-32 x 11/16")	1	2
			Screw, Phillips Pan Head (#10-32 x 1")	1	2
			Instruction Sheet, Legrest Pad Mtg.	1	1
37		47330X003	Spacer (5/16 x 1/2 x 3/8")	1	2
38		1046331-NLA	NLA - Kit, Articulating Legrest Ratchet Hardware (Pair)	2	1

NOTE: A - Specify U67 black vinyl upholstery when ordering.  
 B - Includes Screws and Instruction Sheet.  
 C - Due to a change to the Legrest Calf Pad size made on 4/23/12, you must also order the hardware kit (1066591) when ordering replacement Calf Pads.



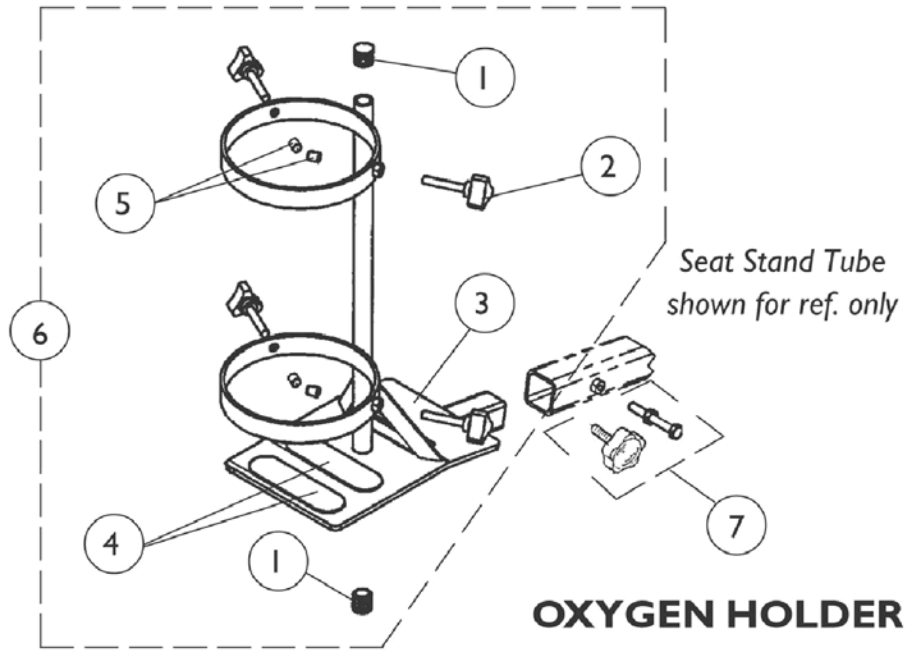
## Pivot Slide Tube and Footplates T94AA/C and PAL4A

Heel loops are not included. See accessories page.

Item Number	Note	Part Number	Description	Quantity Per	
				Package	Assembly
1		1027097	Plug Button, Black (3/4")	1	2
2	A	7500085-NLA	NLA - Pivot/Slide Tube w/ Plug Button Assembly, Chrome	1	1
2	D	1041526	Pivot/Slide Tube w/ Plug Button Assembly, Chrome	1	1
3		44200X027	Footplate, Aluminum, Medium, Black (7-3/4" W x 6" L)	1	1
3	C	1015178	Footplate, Composite, Black (6" W x 7-53/64" L)	1	1
4		1016346	Cap, End, Tube, Black (7/8")	1	1
5		1006981	Spring, Tension	1	1
6		7930354-NLA	NLA - Package, Phillips Head Screw (#8-32 x 3/8")	25	1
7		1070168	Plug, Push, Footplate	1	1
8	B	1017237-NLA	NLA - Pivot/Slide Tube w/ Aluminium Footplate Assembly, Chrome - Right	1	1
8	B	1017238-NLA	NLA - Pivot/Slide Tube w/ Aluminium Footplate Assembly, Chrome - Left	1	1
8	C	1017233-NLA	NLA - Pivot/Slide Tube w/ Composite Footplate Assembly, Chrome - Right	1	1
8	C	1017234-NLA	NLA - Pivot/Slide Tube w/ Composite Footplate Assembly, Chrome - Left	1	1
8	D	1023907	Footplate w/Pivot Slide Tube - RH (18")	1	1
8	D	1023908	Footplate w/Pivot Slide Tube - LH (18")	1	1
NOTE: A - For T934A/C B - For T934A C - For T934C D - For PAL4A					

# Miscellaneous Accessories

THE PRODUCTION OF THE P725 IS CURRENTLY SUSPENDED. CONTACT CUSTOMER SERVICE FOR ORDERING OPTIONS.





## Miscellaneous Accessories

**THE PRODUCTION OF THE P725 IS CURRENTLY SUSPENDED. CONTACT CUSTOMER SERVICE FOR ORDERING OPTIONS.**

Item Number	Note	Part Number	Description	Quantity Per	
				Package	Assembly
1		1035614	Plug Button, Black (5/8")	1	2
2		1027684	Knob, Clamping, Black	1	4
3		1080866	Decal, Oxygen Warning - English	1	1
		1090093-NLA	NLA - Decal, Oxygen Warning - French Canadian	1	1
		1092793-NLA	NLA - Decal, Oxygen Warning - Domestic Spanish	1	1
4		1072004	Pad, Non-Skid Adhesive Back	1	2
5	A	1086780-NLA	NLA - Package, Protective Cap	10	1
6	B	1091306-NLA	NLA - Oxygen Holder Assembly - Deluxe Seats	1	1
7		1088765-NLA	NLA - Fastener Hardware, Accessory Tube Includes: 1 ea. Tighten Knob 1 ea. Screw, Hex Cap (M10 x 25) 1 ea. Nut (M10 x 1.25 x 17)	1	1
	D	2000454-NLA	NLA - Bag, Poly (39" L x 33" W)	1	1
	D	1091305-NLA	NLA - Instruction Sheet, Oxygen Holder	1	1
	D	1083052-NLA	NLA - Carton, Shipper, Oxygen Holder	1	1
	D	P785-NLA	NLA - Basket, Rear - Lynx SX3P/ SX3 and LX3 Plus with Deluxe Seat	1	1
	C,D	P725	Kit, Crutch/Cane Holder Holder, Crutch/Cane - P725 Cup, Crutch/Cane Holder, Black Strap, Hook and Loop - P725 Plug Button, Black (7/8") Screw w/ Washer (#10 x 7/8")	1 1 1 1 1 1	1 1 1 1 1 2
	D	P710	Flag, Safety	1	1
	D	1035917-NLA	NLA - Heel Loop (Pair)	2	1
	D	1017621	Heel Loop - Right/Left	1	1
	D,E	1035907	Kit, Heel Loop Attaching Hardware (Pair)	2	1
<p>NOTE: A - Four protective caps are included with the oxygen holder assembly, replacement caps are sold in packages of 10.            B - Includes items 1-3, 5 and 6. Fastener hardware part number 1088765 is not included with the oxygen holder assembly.            C - THE PRODUCTION OF THE P725 IS CURRENTLY SUSPENDED. CONTACT CUSTOMER SERVICE FOR ORDERING OPTIONS.            D - Not Shown            E - Consists of: 2 ea. Screw, Phillips Head (1/4-20 x 2-1/4") 2 ea. Spacer (1/4 x 11/32 x 1-3/4") 2 ea. Locknut (1/4-20)</p>					

# Power Wheelchair Tool Kit

1



**Multimeter with Leads**



**Grounding Wire**



**1" Test Leads**



**Protractor/Angle Locator**



**Invacare Pen Light**



**Invacare Tape Measure**



**Invacare Phillips/Flat Head Screwdriver**



**MKIV Programmer**



**Virtual Service Charger Cable**

## Power Wheelchair Tool Kit

Item Number	Note	Part Number	Description	Quantity Per	
				Package	Assembly
1		1125222-NLA	NLA - Kit, Power Wheelchair Tool Includes: 1 ea. Multimeter with Leads 1 ea. Locator, Protractor/Angle Magnetic Base 1 ea. Instructions, MKIV Programmer 1 ea. Wire, Grounding with Hand Strap and Clip 1 ea. Leads, 1" Test 1 ea. Light, Pen with Invacare Logo 1 ea. Tape Measure, Compact with Invacare Logo 1 ea. Screwdriver, Pen-Size Phillips/Flat Head 1 ea. Cable, Virtual Service Charger/Modem	1	1

**Invacare Corporation**

[www.invacare.com](http://www.invacare.com)



**Yes, you can.**

One Invacare Way  
Elyria, Oh USA  
44036-2125  
800-333-6900

Technical Support  
800-832-4707  
Customer Service  
800-333-6900

Customer Service  
800-333-6900

©2022 Invacare Corporation. All rights reserved. Republication, duplication or modification in whole or in part is prohibited without prior written permission from Invacare. Trademarks are identified by <sup>TM</sup> and ©. All trademarks are owned by or licensed to Invacare Corporation or its subsidiaries unless otherwise noted. (Revised 04/6/22)

Form No. 00-60